

# HYBRID 3 KITS

## 120V AC Hybrid Flexible Linear

Superb light output for indoor and outdoor use. Parallel wiring in 4" cutting increments ensures that if one LED goes out, the rest of the LEDs stay lit. Offering up to 330 lumens per foot, Hybrid 3 takes a noticeable jump in brightness, making it an effective and energy efficient option for hospitality, home theater, and other various entertainment lighting applications.

- 120V AC input voltage operation
- Available in 3000K / 4000K color temperature
- 90+ color rendering index
- Lumen output up to 320Lm per foot
- Interconnectable lengths make installation fast and simple
- IP65 rating featuring encased flexible housing design
- Dimmable (10-100%) with most CL and ELV dimmers
- cETLus Listed for indoor and outdoor locations
- 50,000 hours rated life



### HYBRID 3 KIT QUICK SPECS

<b>INPUT VOLTAGE</b>	120V AC
<b>WATTAGE</b>	4W per ft
<b>LUMENS</b>	Up to 315Lm per ft
<b>CCT</b>	3000K / 4000K
<b>CRI</b>	90+
<b>MAX RUN</b>	164ft (not recommended to exceed 75 feet in any single run)
<b>CUTTING POINTS</b>	N/A
<b>IP RATING</b>	IP65 - Wet Location**
<b>DIMMING</b>	10-100%*
<b>OPERATING TEMP</b>	-30°C (-22°F) to 45°C (113°F)**
<b>AMBIENT TEMP</b>	-20°C (-4°F) to 42°C (107.6°F)**
<b>STORAGE TEMP</b>	-10°C (14°F) to 30°C (86°F)**
<b>LED SPACING</b>	Every 5/8"; 20 per foot
<b>RATING</b>	cETLus Listed (Void if field cut) †
<b>RATED LIFE</b>	50000 Hours

\*Minimum loads may apply. Per the NEC, switched wall outlets cannot be used with wall dimmers.  
 \*\*Do not install in inclement weather or extreme temperature conditions (i.e. -25°C (-13°F) and below). IP65 rated only when used with pre-attached molded power cord and end cap is either pre-attached or properly sealed with dielectric grease, silicone and shrink tube  
 † cETLus Listing for 120V is void if product is cut. Recommended to order Custom Cut direct from American Lighting for outdoor installations.  
 It is not recommended to exceed 75 feet in any single run.

PROJECT: \_\_\_\_\_

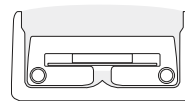
TYPE: \_\_\_\_\_

LOCATION: \_\_\_\_\_

CATALOG NUMBER: \_\_\_\_\_

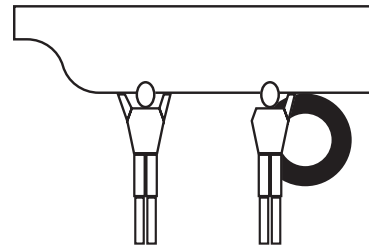


### HYBRID 3 KIT IP RATINGS

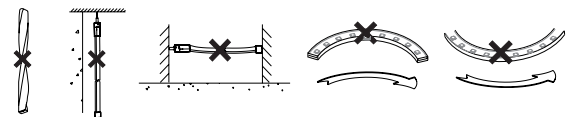


**IP65 (Encased)**  
 Fully encased tape light in sealed jacketing that allows for wet location applications.  
**Best suited:** Indoor & Outdoor wet locations

2 PERSON INSTALLATION RECOMMENDED



**DO NOT TWIST, HANG VERTICALLY, SUSPEND UNSUPPORTED IN THE MIDDLE, OR BEND ALONG SHORT SIDE**



**HYBRID 3 KIT QUICK LOOK**



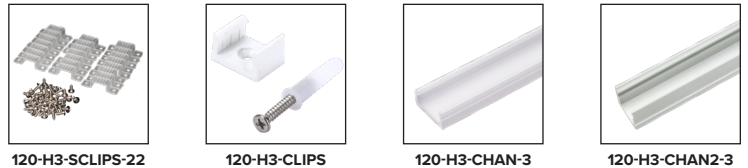
**HYBRID 3 KIT ORDERING INFORMATION**

ITEM NUMBER	VOLTAGE	CCT	LENGTH	LUMENS / FT	WATTAGE / FT	IP RATING	CRI	CUTTING	MAX RUN
H3-KIT-30-3	120V AC	3000K	3 ft	315Lm / ft	4W / ft	IP65	90+	4" (101.6mm)	164 ft
H3-KIT-30-6	120V AC	3000K	6 ft	315Lm / ft	4W / ft	IP65	90+	4" (101.6mm)	164 ft
H3-KIT-30-12	120V AC	3000K	12 ft	315Lm / ft	4W / ft	IP65	90+	4" (101.6mm)	164 ft
H3-KIT-30-18	120V AC	3000K	18 ft	315Lm / ft	4W / ft	IP65	90+	4" (101.6mm)	164 ft
H3-KIT-30-30	120V AC	3000K	30 ft	315Lm / ft	4W / ft	IP65	90+	4" (101.6mm)	164 ft
H3-KIT-30-45	120V AC	3000K	45 ft	315Lm / ft	4W / ft	IP65	90+	4" (101.6mm)	164 ft
H3-KIT-40-3	120V AC	4000K	3 ft	320Lm / ft	4W / ft	IP65	90+	4" (101.6mm)	164 ft
H3-KIT-40-6	120V AC	4000K	6 ft	320Lm / ft	4W / ft	IP65	90+	4" (101.6mm)	164 ft
H3-KIT-40-12	120V AC	4000K	12 ft	320Lm / ft	4W / ft	IP65	90+	4" (101.6mm)	164 ft
H3-KIT-40-18	120V AC	4000K	18 ft	320Lm / ft	4W / ft	IP65	90+	4" (101.6mm)	164 ft
H3-KIT-40-30	120V AC	4000K	30 ft	320Lm / ft	4W / ft	IP65	90+	4" (101.6mm)	164 ft
H3-KIT-40-45	120V AC	4000K	45 ft	320Lm / ft	4W / ft	IP65	90+	4" (101.6mm)	164 ft

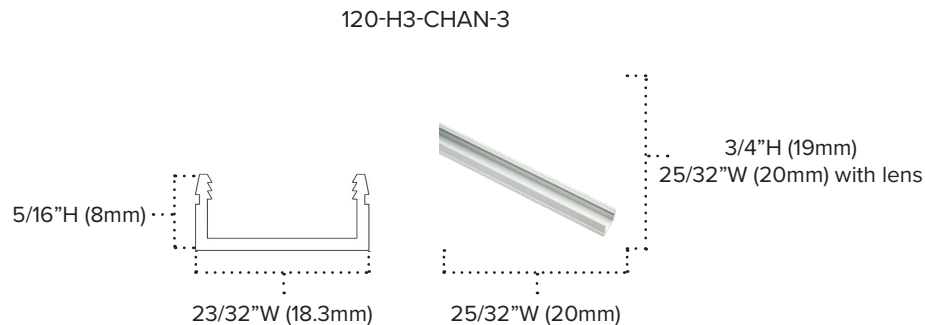
Hybrid 3 Kits Include: (1) 5ft removable power plug and female connector / (1) Removable end cap / (1) Plastic mounting clip per foot of Hybrid 3

**HYBRID 3 KIT ACCESSORIES**

ITEM NUMBER	DESCRIPTION
120-H3-CLIPS	Mounting Clips (Qty 10)
120-H3-SCLIPS-22	Saddle Mounting Clips (Qty 22)
120-H3-CHAN-3	1m Aluminum Mounting Channel
120-H3-CHAN2-3	1m Aluminum Deep Mounting Channel with Lens



**HYBRID 3 CHANNEL DIMENSIONS**



**HYBRID 3 KIT** RECOMMENDED DIMMERS

BRAND	MODEL / #	TYPE	DIMMING RANGE
LUTRON	DIVA / DVELV-300P-LA	ELV	10-100%
LUTRON	SKYLARK / SELV 300P	ELV	10-100%



# AMERICAN LIGHTING WARRANTY

## LIMITED WARRANTY FOR LED PRODUCTS: 1 YEAR

### LIMITED PRODUCT WARRANTY

Our products are warranted to be free from defects in material and workmanship for the warranty period listed. Warranty periods begin from the date of shipment from American Lighting Inc's warehouse to the original purchaser. Products that prove to be defective during their specific warranty period will be either repaired or replaced, at the sole discretion of American Lighting Inc. Claims for defective products must be submitted in writing to American Lighting Inc's RGA Department within the warranty period. Upon approval of such return, American Lighting Inc reserves the right to inspect the product for misuse or abuse. Claims for indirect or consequential damages or for product that, in American Lighting Inc's opinion, has been misused will be denied. This is a warranty of product reliability only and not a warranty of merchantability or fitness for a particular purpose. American Lighting Inc shall have no liability whatsoever in any event for payment of incidental or consequential damages, including, without limitations, installation costs and/or damages for personal injury and/or property. These products may represent a possible shock or fire hazard if improperly installed or altered in any way. This warranty does not apply to any product that has not been properly installed in accordance with current local codes and/or the National Electrical Code. Products that require a transformer, driver, or power supply must be used in conjunction with American Lighting Inc's recommended power supply to ensure safety and retain product warranty.

### PRODUCT SPECIFICATIONS

For the latest product information, updates, instructions and details concerning specifications, colors, finishes, performance, installation and design, visit [www.americanlighting.com](http://www.americanlighting.com). Color may vary from the color printed herein due to limitations in photographic and printing processes. American Lighting Inc. reserves the right to change product specifications without notice. Other product specifications such as color temperature, wavelength characteristics and lumen output are subject to production limitations and may vary. LED technology is changing rapidly, and not all color temperatures and performance levels can be duplicated at a later time. Best practices include purchasing 10-15% more for a particular project on the same initial order where white LED color temperatures must be maintained over project and product life. Eventual product replacement should be considered at layout and design stages. Best practices also include testing connections and product performance prior to mounting and/or installing.

### AVERAGE LIFE

Average incandescent lamp life, rated life and average life are terms used to describe the number of hours at which half of the lamps have failed. For LEDs, the hours of rated life specify the point where 70% of original lumen output is reached. Below this point, the effective life is over, however, the LED may still emit light. Individual results may vary with actual environmental conditions including, but not limited to, proper installation, ambient temperature and/or input voltage fluctuations.