

IP67 DMX DECODER

12V-36V DC DMX Decoder

The IP67 DMX Decoder allows for pixel addressing or sequencing pixel tape light. Pair with DMX controllers or compatible DMX software programs to create dynamic and unique chasing or color fading effects by addressing individual pixels.

- Standard DMX512 compliant control interface
- Digital numeric display
- 8 Bit or 16 bit PWM output resolution ratio
- Includes 2 waterproof junction boxes for wire connections
- IP67 Outdoor Rated
- RoHS Compliant
- 5 Year Warranty

PROJECT: _____

TYPE: _____

LOCATION: _____

CATALOG NUMBER: _____



IP67 DMX DECODER QUICK SPECS

SERIES	PZM-DEC-DMX-IP67
INPUT VOLTAGE	12-36V DC
INPUT CURRENT	20.5A
OUTPUT VOLTAGE	4X(12-36)V DC
OUTPUT CURRENT	4x5A
MAX LOAD	4x(60-180)W
INPUT WIRE	5" 18AWG
OUTPUT WIRE	5" 20AWG
DIMENSIONS	7-1/8"L x 2-7/8"W x 1-1/2"H
RATING	IP67 (Wet Location), RoHS Compliant
OPERATING TEMP	-4°F to 122°F (-20°C - +50°C)

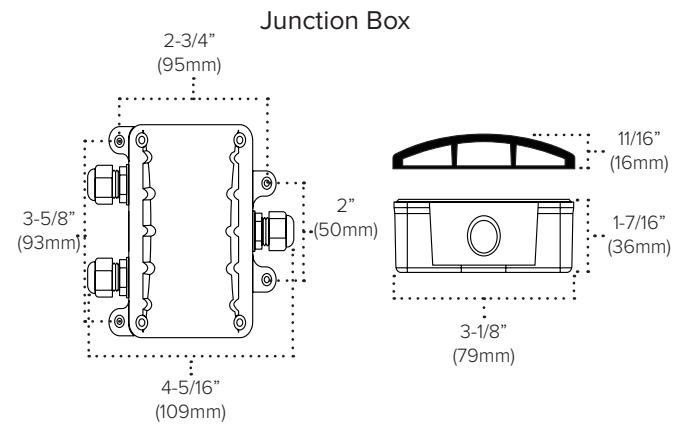
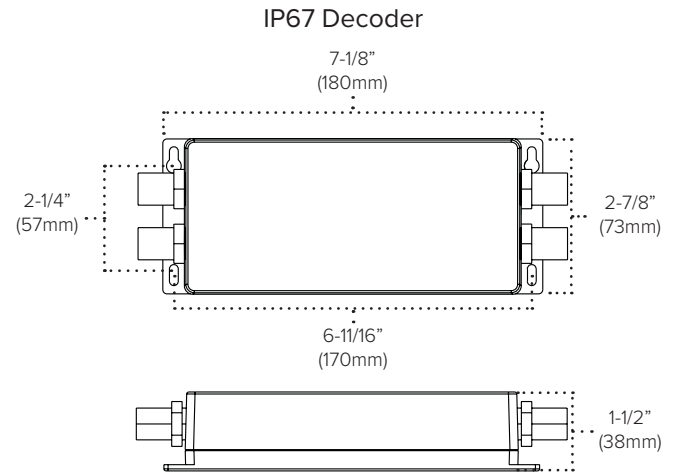
IP67 DMX DECODER ORDERING INFORMATION

ITEM NUMBER	DESCRIPTION
PZM-DEC-DMX-IP67	12-36V DC IP67 DMX512 Decoder

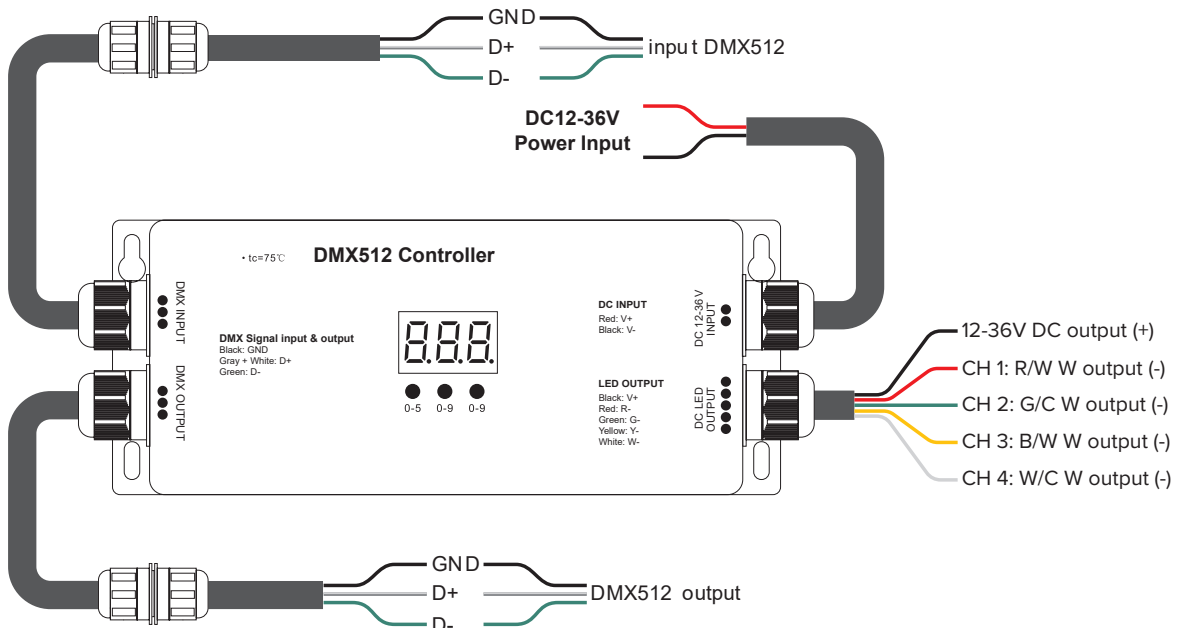
IP67 DMX DECODER ACCESSORIES

ITEM NUMBER	DESCRIPTION
PZM-DEC-DMX-IP67-JUMP10	10 meter male/female IP67 signal jumper cable

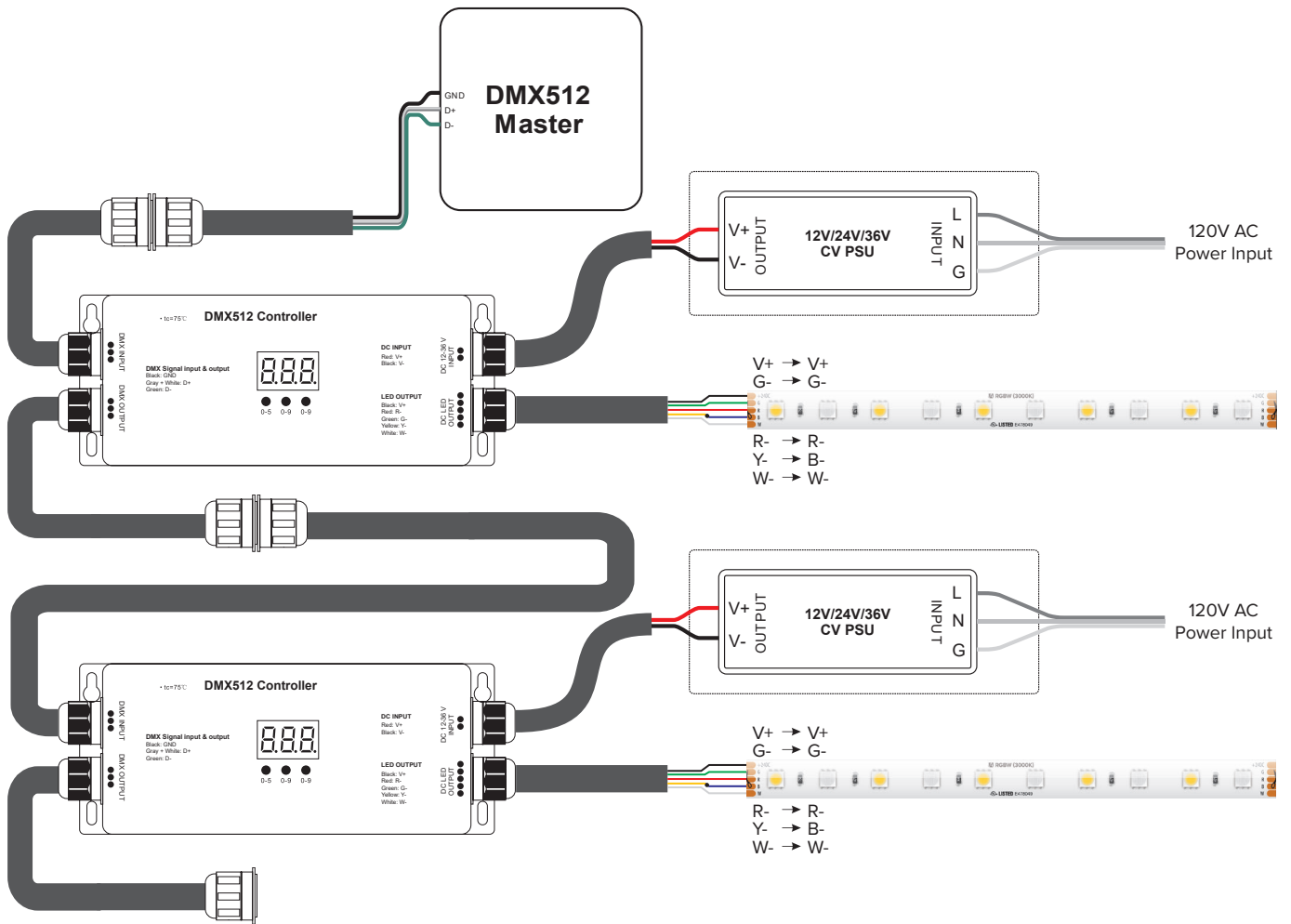
IP67 DMX DECODER QUICK DIMENSIONS



IP67 DMX DECODER PORTS INFO



IP67 DMX DECODER WIRING DIAGRAM





PRIZM LIGHTING WARRANTY

5-YEAR LIMITED WARRANTY FOR LED PRODUCTS

Prizm Lighting, a division of American Lighting Inc, warrants to its customer and the original end user the LED electronics and components of its properly installed LED products, to be free of defects in material and workmanship, in normal use, for a period of five (5) years from the date of shipments by Prizm Lighting and warrants the painted finish for a period of one (1) year from the date of shipment by Prizm Lighting.

Painted finished on the product will be considered defective in material or workmanship only if there is substantial deterioration in the form of blistering, cracking, or peeling within the one (1) year warranty period. The painted finish is not warranted against fading or chalking, as it may naturally fade or chalk over time due to normal aging.

Prizm Lighting, a division of American Lighting Inc, at its sole option, will repair, replace, credit, or refund, any warranted product returned to it that it determines to be defective. Customer or consumer must return the product, transportation prepaid, to American Lighting Inc at 11775 E. 45th Ave, Denver, CO 80239 within the warranty period. No return of products will be accepted without a Return Goods Authorization (RGA) which may be obtained by calling 1-800-297-0484. This warranty excludes and there is disclaimed liability for labor or removal of this product or re-installation of this product or a replacement product. This warranty is void if the product is installed in violation of the National Electrical Code (NEC) or any applicable local electrical codes, or in an improper environment, misused, opened, abused, or altered in any manner, or is not used under normal operating conditions, or not in accordance with any labels or instructions. This warranty does not cover damages due to environmental conditions, acts of nature, animal or insect activity, or power surges.

THE ABOVE EXPRESS WARRANTY STATES THE FULL AND COMPLETE OBLIGATION OF PRIZM LIGHTING, A DIVISION OF AMERICAN LIGHTING INC. ALL IMPLIED WARRANTIES OF MERCHANTABILITY OR FITNESS FOR A PARTICULAR PURPOSE ARE LIMITED IN DURATION TO THE TERM OF THE EXPRESS WARRANTY. UNDER NO CIRCUMSTANCES WILL PRIZM™ LIGHTING, A DIVISION OF AMERICAN LIGHTING INC, ACCEPT LIABILITY FOR ANY INCIDENTAL, CONSEQUENTIAL, SPECIAL, OR INDIRECT DAMAGES, INCLUDING, WITHOUT LIMITATION, DAMAGE TO OR LOSS OF USE OF ANY EQUIPMENTS, LOST SALES OR PROFITS OR DELAY OR FAILURE TO PERFORM THIS WARRANTY OBLIGATION. THE REMEDIES PROVIDED HEREIN ARE THE EXCLUSIVE REMEDIES UNDER THIS WARRANTY, WHETHER ARISING OUT OF CONTRACT, TORT, STRICT LIABILITY, OR OTHERWISE.

Some states do not allow the exclusion of limitation of incidental or consequential damages, so the above limitation or exclusion may not apply to you. This warranty gives you specific legal rights, and you may also have other rights which vary from state to state.

No distributor or supplier of Prizm Lighting, a division of American Lighting Inc, has the authority to modify or amend this Limited Warranty. This warranty may not be transferred or assigned by the original end user.

AVERAGE LIFE

For LEDs, the hours of rated life specify the point where 70% of original lumen output is reached. Below this point, the effective life is over, however, the LED may still emit light. Individual results may vary with actual environmental conditions including, but not limited to, proper installation, ambient temperature and/or input voltage fluctuations.

For all linear lighting categories, any non-rated field connection made in an outdoor application should be properly sealed with dielectric grease covering all conductive materials; and properly installed power connections and end caps, sealed with silicone and heat shrink tube.

For the latest product information, updates, instructions and details concerning specifications, colors, finishes, performance, installation and design, visit www.prizmlighting.com. Color may vary from the color printed herein due to limitations in photographic and printing processes. American Lighting Inc. reserves the right to change product specifications without notice. Other product specifications such as color temperature, wavelength characteristics and lumen output are subject to production limitations and may vary.

LED technology is changing rapidly, and not all color temperatures and performance levels can be duplicated at a later time. Best practices include purchasing 10-15% more for a particular project on the same initial order where white LED color temperatures must be maintained over project and product life. Eventual product replacement should be considered at layout and design stages. Best practices also include testing connections and product performance prior to mounting and/or installing.