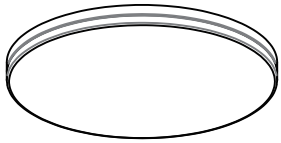


Flush Mount -- Installation Instructions

For Halco Product Codes:

- FM-Mxx-CS-Xx-120V-MW
- FM-SDxx-CS-xx-120V-MW
- FM-DFR14-CS-BK-120V-MW
- FM-FR13-CS-BG-120V-MW
- FM-TR14-CS-BG-120V-MW



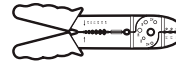
TOOLS REQUIRED



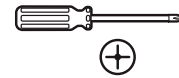
Wire Cutters



Electrical Tape



Wire Strippers



Screwdriver

⚠ WARNINGS ⚠

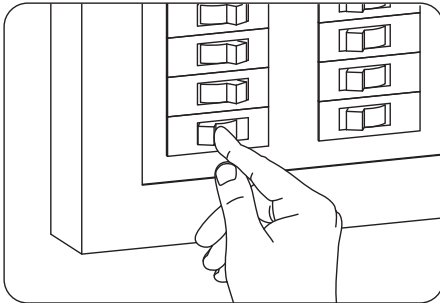
- Risk of electric shock - Disconnect power at the source before installation.
- If you are unsure about the installation or the maintenance of the wall light, please consult an electrician.
- Do not make or alter any holes in the wiring enclosure or modify any electrical componentry.

CAUTIONS

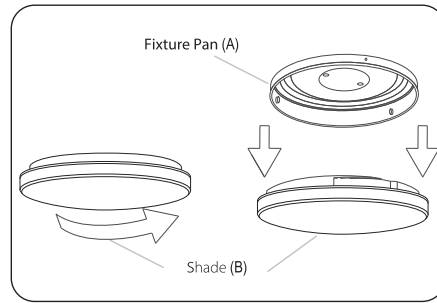
- To insure personal safety, proper grounding of the electrical fixture is required.
- The fixture must be wired in accordance with the National Electric Code and applicable local codes or ordinances.

INSTALLATION INSTRUCTIONS

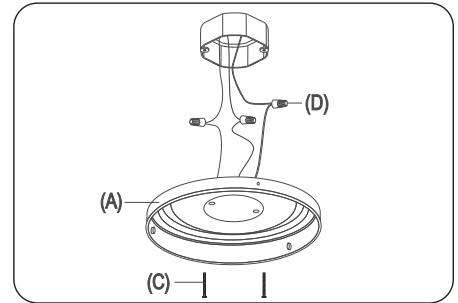
KEEP THIS INSTRUCTION FOR FUTURE USE AND READ CAREFULLY BEFORE INSTALLATION AND/OR MAINTAINANCE.



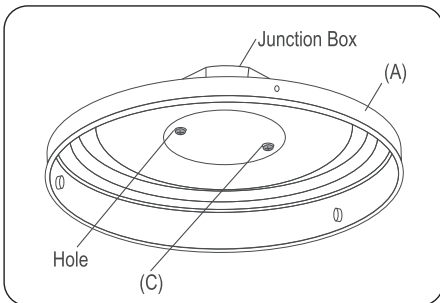
- 1** For safety, turn off the main power before removing the existing fixture and proceeding with installation.



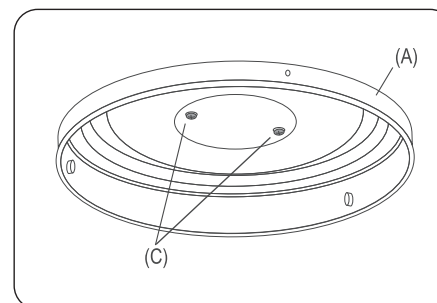
- 2** Remove Shade (B) from LED Fixture Pan (A) by turning it counter-clockwise. Set Shade (B) aside.



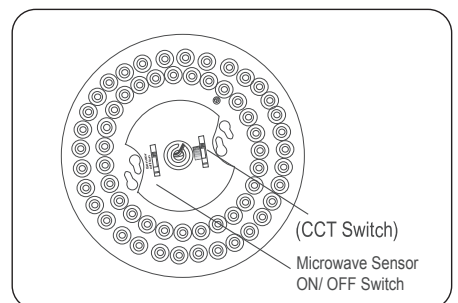
- 3** Pull the power supply lines out from the junction box. Using the supplied Wire Connectors (D), Connect the wires of the ceiling light to the wires in junction box: Black to Black (hot), White to White (Neutral), Bare to bare (Ground).



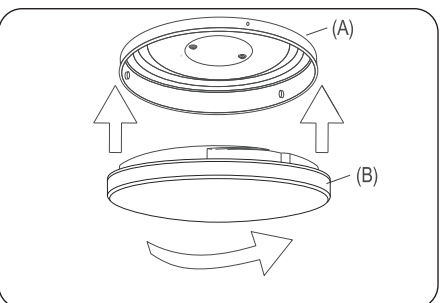
- 4** Carefully tuck all wires back up into the junction box. Place the LED Fixture Pan (A) over the junction box and thread the mounting screws (C) into the mounting tabs of the junction box through the holes in the Fixture Pan (A).



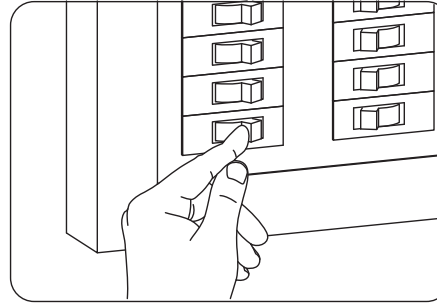
- 5** Tighten the Mounting Screws (C) so that the LED fixture Pan (A) is flush against the ceiling.



- 6** Choose desired color temperature by sliding CCT switch within the fixture. Activate or deactivate the Microwave ON/OFF Switch as desired.



- 7** Slide the Shade (B) onto the LED Fixture Pan (A) and turn it clockwise until it is secure.



- 8** The installation is complete. Restore power to the fixture and verify the fixture operates properly.

HARDWARE INCLUDED:

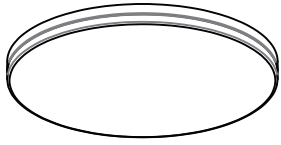
Part	Description	Quantity
C	25mm Mounting Screw	2
D	Wire Connector	3



C



D



Flush Mount -- Slim Drum Installation Instructions

For Halco Product Codes:

FM-Mxx-CS-Xx-120V-MW
FM-SDxx-CS-xx-120V-MW
FM-DFR14-CS-BK-120V-MW
FM-FR13-CS-BG-120V-MW
FM-TR14-CS-BG-120V-MW



SENSOR APPLICATION AND FUNCTION

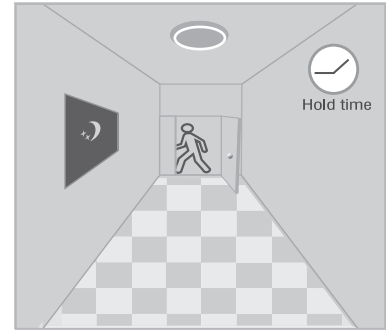
Automatica ON/OFF function:



If there is enough daylight, the light fixture stays off even when motion is detected.

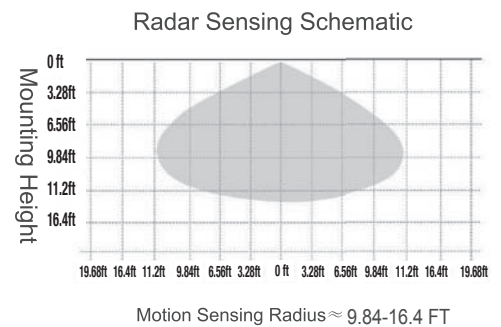
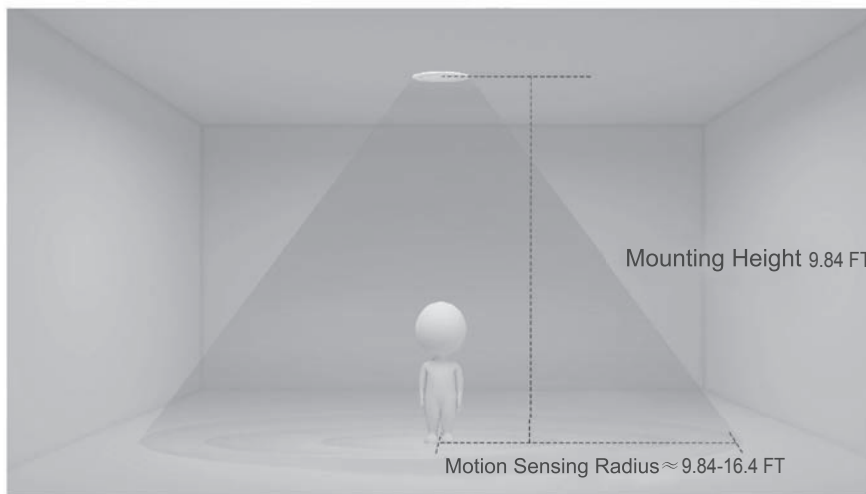


Without minimum required daylight, the light fixture turns on when motion is detected.



The light turns off one minute after motion is detected.

SENSOR DETECTION SCHEMATIC



Note: The default setting for the motion sensor is ON.

The sensor can be deactivated by selecting the OFF position of the sensor switch. See Step 6 above.