

# ProLED®

## Vaportight Series

### Installation Instructions



For Halco Products: LVPT-2-LS-CS-U, LVPT-4-LS-CS-U, LVPT-8-LS-CS-U

#### IMPORTANT

**READ CAREFULLY BEFORE INSTALLING FIXTURE. RETAIN THESE INSTRUCTIONS FOR FUTURE REFERENCE.**

This product must be installed by a certified electrician who is familiar with the construction and operation of the luminaire and aware of the hazards involved. Installation must comply with the National Electrical Code (NEC), related regional standards, and all applicable local code requirements. Before installation, verify that all parts and any purchased accessories are included and that the fixture has not been damaged during shipping.

#### WARNING – RISK OF ELECTRIC SHOCK

- Disconnect power at the fuse or circuit breaker before installing, wiring, servicing, or performing any maintenance on this luminaire.
- Verify that the supply voltage matches the rating on the luminaire label before energizing.
- Proper grounding is required for safety.
- All wiring connections must be secured using UL-listed wire connectors.
- Do not use an electric generator to test the luminaire.
- If any smoke, spark, or abnormal condition is observed, disconnect power immediately and contact qualified service personnel.

#### CAUTION – RISK OF INJURY

- The luminaire may fall if not installed properly. Follow all installation instructions and ensure mounting hardware is adequately secured.
- Wear gloves and safety glasses when unpacking, installing, or servicing the luminaire.
- Avoid direct eye exposure to the light source when the luminaire is energized.

#### CAUTION – RISK OF FIRE

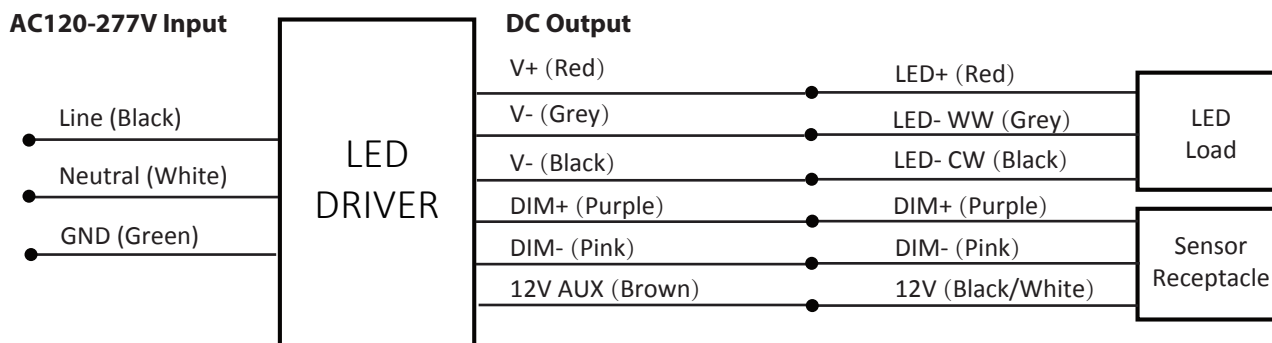
- Keep combustible materials and any items that can burn away from the luminaire,
- Use minimum 90°C rated supply conductors.
- Maintain adequate clearance around the luminaire for proper heat dissipation.

#### NOTICE

- Inspect the luminaire for any damage before installation. If damage is found, contact the manufacturer.
- Read all installation instructions completely before beginning installation.

#### WIRING DIAGRAM:

Universal voltage driver permits operation at 120V-277V, 50/60Hz.  
 Operating temp: -40°F to 113°F ( For standard items without BBU installed)  
 \*\*Consult with dimmer control manufacturer’s wiring instructions.



# ProLED<sup>®</sup>

## Vaportight Series

### Installation Instructions

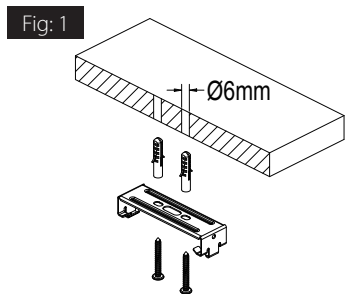


#### INSTALLATION OPTIONS:

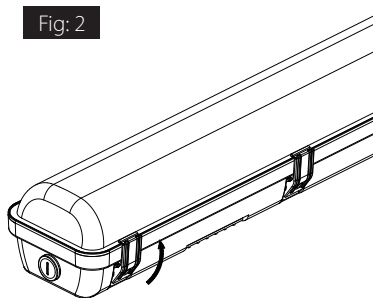
CAUTION: Turn off electrical power at fuse or circuit breaker box before wiring fixture to the power supply.

#### 1. SURFACE MOUNT

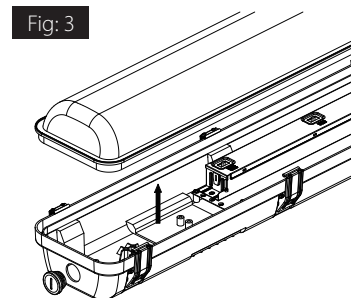
1. Install the mounting brackets. (Fig.1)



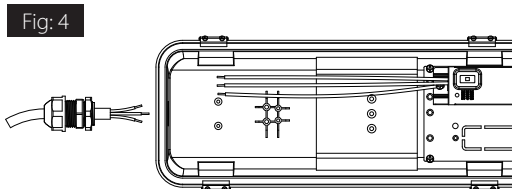
2. Open the clips. (Fig.2)



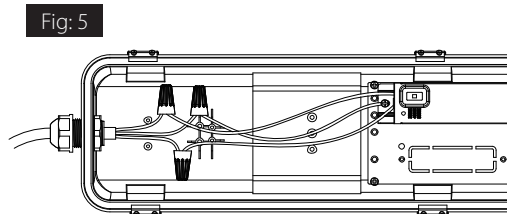
3. Open the lens. (Fig.3)



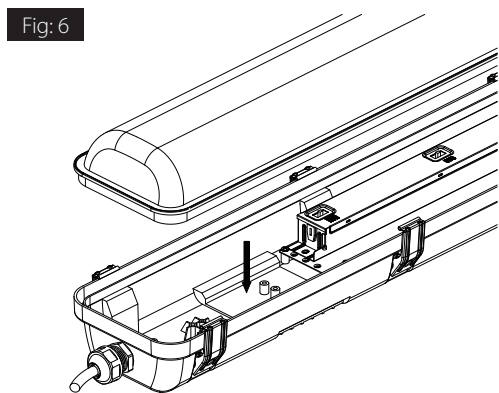
4. Install the waterproof connector. (Fig.4)



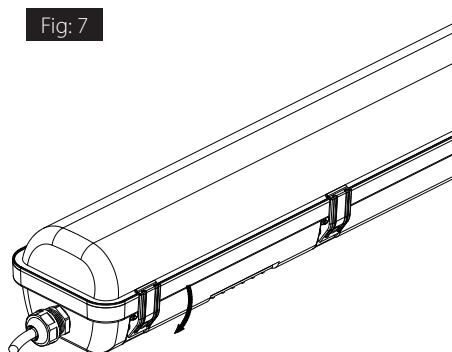
5. Connect the wires. (Fig.5)



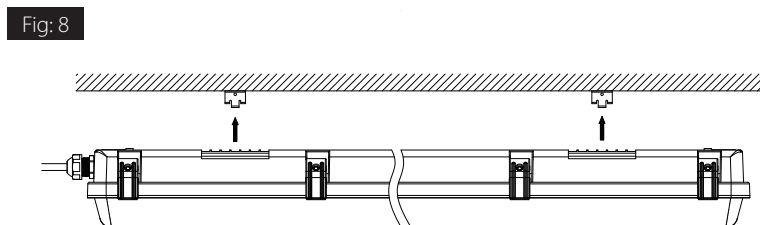
6. Re-attach the lens to the housing. (Fig.6)



7. Fasten the clips. (Fig.7)



8. Push the fixture into the brackets. (Fig.8)



# ProLED®

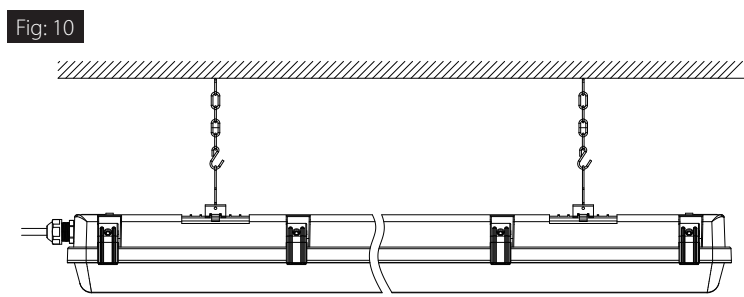
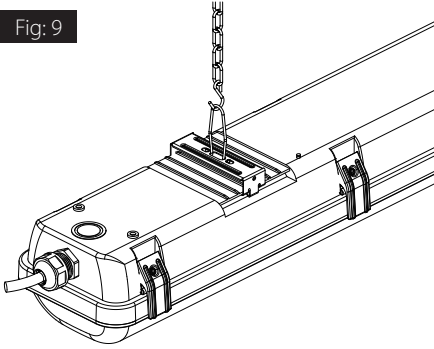
## Vaportight Series

### Installation Instructions



#### INSTALLTION OPTIONS:

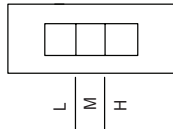
#### 2.VAPOR TIGHT HANGING KIT



#### Schematic of CCT and Wattage adjustment(3 set position) .

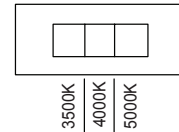
##### Wattage settings:

Left, stands for Low;  
Middle, stands for Medium;  
Right, stands for High;



##### Color settings:

Left, stands for 3500K;  
Middle, stands for 4000K;  
Right, stands for 5000K;



Model	Left Postion	Middle Postion	Right Postion
2FT	20W	25W	30W
4FT	40W	50W	60W
8FT	60W	75W	90W

#### Factory Default Settings

Model	Wattage	CCT
2FT	30W	5000K
4FT	60W	5000K
8FT	90W	5000K