

## LED Lamps

### ProLED Select Plug-In Lamp Series

- 5W, 9W, 13W, 18W, 22W, 26W, 28W, 32W, 42W and 57W CFL Equivalent
- Field Adjustable CCT
- Omni-Directional Light Distribution Options
- G23, GX23, GX32D, G24D, G24Q, GX24D, GX24Q and GX24D-5 Base Types
- DLC 5.1 Options



### Specifications

#### Description

Halco's ProLED Select Plug-In Lamp Series offers a high-efficiency LED solution for replacing traditional compact fluorescent plug-in lamps in commercial and institutional settings. With several models designed to match the familiar single, double, and triple tube CFL form factors, these lamps simplify retrofits across a wide range of fixtures. Selectable color temperatures ranging from warm white to daylight allow users to tailor lighting to suit any environment. The durable construction supports long-term performance, while the LED technology helps reduce energy consumption and maintenance costs. Available in multiple base types and backed by a 5-year warranty, the ProLED Select Plug-In Series streamlines inventory and installation—delivering reliable, adaptable lighting with modern efficiency.

#### Performance

- Selectable color temperatures 3000K, 3500K, 4000K, 5000K
- Up to 143 lumens per watt
- CRI 80+
- L70 Lumen maintenance > 50,000 Hours
- 0-10V dimming (G24Q base models)
- 120-277V
- 5 year limited warranty

#### Applications

- General Indoor Lighting
- Commercial Buildings
- Office
- Healthcare
- Retailers
- Hospitality
- Institutional and Government Buildings
- K-8 Schools, Colleges and Universities

#### Construction

- Frosted plastic lens
- Polybutylene terephthalate (PBT) plastic housing
- 120° beam angle for horizontal and vertical models
- 360° beam angle for omni-directional models

#### Certifications

- UL listed for damp locations
- DLC 5.1 Standard (Type A only) (Visit Designlights.org for Qualified Product List)
- NSF rated
- RoHS compliant
- FCC part 15 compliant

## ProLED Select Plug-In Lamp Series

### Ordering Logic

Shape/Wattage/Direction	CRI/CCT	Type	Base	Technology / Generation	Dimmable
<p><b>PLS3H</b> = Plug-In Single Tube, 3.5W, Horizontal</p> <p><b>PLS5H</b> = Plug-In Single Tube, 5.5W, Horizontal</p> <p><b>PLD50</b> = Plug-In Double Tube, 5.5W, Omni</p> <p><b>PLD70</b> = Plug-In Double Tube, 7W, Omni</p> <p><b>PLD90</b> = Plug-In Double Tube, 9W or 9.5W, Omni</p> <p><b>PLD9H</b> = Plug-In Double Tube, 9.5W, Horizontal</p> <p><b>PLD9V</b> = Plug-In Double Tube, 9.5W, Vertical</p> <p><b>PLT70</b> = Plug-In Triple Tube, 7W, Omni</p> <p><b>PLT90</b> = Plug-In Triple Tube, 9W, Omni</p> <p><b>PLT150</b> = Plug-In Triple Tube, 15W, Omni</p> <p><b>PLT170</b> = Plug-In Triple Tube, 17W, Omni</p> <p><b>PLT230</b> = Plug-In Triple Tube, 23W, Omni</p>	<p><b>8CS</b> = 80 CRI, Color Selectable 3000K-3500K-4000K-5000K</p>	<p><b>HYB</b> = Hybrid Type A (Ballast Compatible) &amp; Type B (Ballast Bypass)</p> <p><b>DIR</b> = Type A (Ballast Compatible)</p> <p><b>BYP</b> = Type B (Ballast Bypass)</p>	<p><b>G23</b> = 2 Pin (Compatible with Base G23)</p> <p><b>GX23</b> = 2 Pin (Compatible with Base GX23 or GX23-2)</p> <p><b>GX32</b> = 2 Pin (Compatible with Base GX32d-2 and GX32d-3)</p> <p><b>G24D</b> = 2 Pin (Compatible with Base G24q-1 or G24d-3)</p> <p><b>G24Q/GX24Q</b> = 4 pin (Compatible with Base G24q-2, G24q-3 or GX24q-3)</p> <p><b>GX24D</b> = 2 pin (Compatible with Base GX24q-2, GX24q-3 or GX24q-4)</p> <p><b>GX24D-5</b> = 2 pin (Compatible with Base GX24q-5)</p>	<p><b>LED2</b> = LED Generation 2</p>	<p><b>Blank</b> = Non-Dimmable</p> <p><b>D</b> = Dimmable</p>

### Ordering Information

Product SKU	Product Code	Product Description	Equiv Watts	Replaces
82844	PLS3H-8CS-HYB-G23-LED2	LED Single Tube Horizontal Plug-In Lamp G23 2-Pin Base 3000K-3500K-4000K-5000K 3.5 Watt (7W Equivalent) Hybrid Type A (Magnetic Ballast) - Type B, Non-Dimmable	5W, 7W and 9W	
82845	PLS5H-8CS-HYB-GX23-LED2	LED Single Tube Horizontal Plug-In Lamp GX23 2-Pin Base 3000K-3500K-4000K-5000K 5.5 Watt (13W Equivalent) Hybrid Type A (Magnetic Ballast) - Type B, Non-Dimmable	13W	81160; 81161; 81162; 81163
82846	PLD50-8CS-HYB-GX23-LED2	LED Double Tube Omni-Directional Plug-In Lamp GX23 2-Pin Base 3000K-3500K-4000K-5000K 5.5 Watt (13W Equivalent) Hybrid Type A (Magnetic Ballast) - Type B, Non-Dimmable	13W	81161; 81162; 81163
82847	PLD70-8CS-HYB-GX32-LED2	LED Double Tube Omni-Directional Plug-In Lamp GX32 2-Pin Base 3000K-3500K-4000K-5000K 7 Watt (20W Equivalent) Hybrid Type A (Magnetic Ballast) - Type B, Non-Dimmable	20W	
82848	PLD90-8CS-HYB-GX32-LED2	LED Double Tube Omni-Directional Plug-In Lamp GX32 2-Pin Base 3000K-3500K-4000K-5000K 9 Watt (27W Equivalent) Hybrid Type A (Magnetic Ballast) - Type B, Non-Dimmable	27W	
82849	PLD50-8CS-HYB-G24D-LED2	LED Double Tube Omni-Directional Plug-In Lamp G24D 2-Pin Base 3000K-3500K-4000K-5000K 5.5 Watt (13W Equivalent) Hybrid Type A (Magnetic Ballast) - Type B, Non-Dimmable	13W	
82850	PLD70-8CS-HYB-G24Q-LED2-D	LED Double Tube Omni-Directional Plug-In Lamp G24Q 4-Pin Base 3000K-3500K-4000K-5000K 7 Watt (18W Equivalent) Hybrid Type A (Electrical Ballast and Magnetic Ballast) - Type B, Dimmable	18W	
82851	PLD90-8CS-HYB-G24D-LED2	LED Double Tube Omni-Directional Plug-In Lamp G24D 2-Pin Base 3000K-3500K-4000K-5000K 9 Watt (26W Equivalent) Hybrid Type A (Magnetic Ballast) - Type B, Non-Dimmable	26W	82147; 82148; 82149
82852	PLD90-8CS-HYB-G24Q-LED2-D	LED Double Tube Omni-Directional Plug-In Lamp G24Q 4-Pin Base 3000K-3500K-4000K-5000K 9.5 Watt (26W Equivalent) Hybrid Type A (Electrical Ballast and Magnetic Ballast) - Type B, Dimmable	26W	82144; 82145; 82146
82853	PLD9H-8CS-DIR-G24Q-LED2-D	LED Double Tube Horizontal Plug-In Lamp G24Q 4-Pin Base 3000K-3500K-4000K-5000K 9.5 Watt (26W Equivalent) Ballast Compatible Type A, Dimmable	26W	82117; 82118; 82119
82854	PLD9V-8CS-DIR-G24Q-LED2-D	LED Double Tube Vertical Plug-In Lamp G24Q 4-Pin Base 3000K-3500K-4000K-5000K 9.5 Watt (26W Equivalent) Ballast Compatible Type A, Dimmable	26W	82112; 82113; 82114
82855	PLT70-8CS-BYP-GX24D-LED2	LED Triple Tube Omni-Directional Plug-In Lamp GX24D 2-Pin Base 3000K-3500K-4000K-5000K 7 Watt (18W Equivalent) Ballast Bypass Type B, Non-Dimmable	18W	
82856	PLT90-8CS-BYP-GX24D-LED2	LED Triple Tube Omni-Directional Plug-In Lamp GX24D 2-Pin Base 3000K-3500K-4000K-5000K 9 Watt (26W Equivalent) Ballast Bypass Type B, Non-Dimmable	26W	
82857	PLT150-8CS-BYP-GX24D-LED2	LED Triple Tube Omni-Directional Plug-In Lamp GX24D 2-Pin Base 3000K-3500K-4000K-5000K 15 Watt (32W Equivalent) Ballast Bypass Type B, Non-Dimmable	32W	
82858	PLT170-8CS-BYP-GX24D-LED2	LED Triple Tube Omni-Directional Plug-In Lamp GX24D 2-Pin Base 3000K-3500K-4000K-5000K 17 Watt (42W Equivalent) Ballast Bypass Type B, Non-Dimmable	42W	
82859	PLT230-8CS-BYP-GX24D-5-LED2	LED Triple Tube Omni-Directional Plug-In Lamp GX24D-5 2-Pin Base 3000K-3500K-4000K-5000K 23 Watt (57W Equivalent) Ballast Bypass Type B, Non-Dimmable	57W	

## ProLED Select Plug-In Lamp Series

### Performance Table

SKU	Product Code	Wattage	3000K		3500K		4000K		5000K	
			Lumen (lm)	Efficacy (lm/W)	Lumen (lm)	Efficacy (lm/W)	Lumen (lm)	Efficacy (lm/W)	Lumen (lm)	Efficacy (lm/W)
82844	PLS3H-8CS-HYB-G23-LED2	3.5	360	103	370	106	380	109	400	114
82845	PLS5H-8CS-HYB-GX23-LED2	5.5	580	105	590	107	600	109	620	113
82846	PLD50-8CS-HYB-GX23-LED2	5.5	720	131	750	136	800	145	800	145
82847	PLD70-8CS-HYB-GX32-LED2	7	860	123	900	129	960	137	960	137
82848	PLD90-8CS-HYB-GX32-LED2	9	1050	117	1100	122	1200	133	1200	133
82849	PLD50-8CS-HYB-G24D-LED2	5.5	720	131	750	136	800	145	800	145
82850	PLD70-8CS-HYB-G24Q-LED2-D	7	860	123	900	129	960	137	960	137
82851	PLD90-8CS-HYB-G24D-LED2	9	1050	117	1100	122	1200	133	1200	133
82852	PLD90-8CS-HYB-G24Q-LED2-D	9.5	1050	111	1100	116	1200	126	1200	126
82853	PLD9H-8CS-DIR-G24Q-LED2-D	9.5	960	101	1000	105	1000	105	1050	111
82854	PLD9V-8CS-DIR-G24Q-LED2-D	9.5	1080	114	1100	116	1120	118	1150	121
82855	PLT70-8CS-BYP-GX24D-LED2	7	860	123	900	129	960	137	960	137
82856	PLT90-8CS-BYP-GX24D-LED2	9	1050	117	1100	122	1200	133	1200	133
82857	PLT150-8CS-BYP-GX24D-LED2	15	1900	127	2000	133	2100	140	2100	140
82858	PLT170-8CS-BYP-GX24D-LED2	17	2200	129	2300	135	2400	141	2400	141
82859	PLT230-8CS-BYP-GX24D-5-LED2	23	3000	130	3100	135	3300	143	3300	143

Efficacy is based on base wattage and does not take into account any energy consumption from a ballast in Type A applications.

### Specifications Table

	PLS3H-8CS-HYB-G23-LED2	PLS5H-8CS-HYB-GX23-LED2	PLD50-8CS-HYB-GX23-LED2	PLD50-8CS-HYB-G24D-LED2	PLD70-8CS-HYB-GX32-LED2	PLD70-8CS-HYB-G24Q-LED2-D
Nominal Wattage	3.5W	5.5W	5.5W	5.5W	7W	7W
Delivered Lumens	360lm - 400lm	580lm - 620lm	720lm - 800lm	720lm - 800lm	860lm - 960lm	860lm - 960lm
Efficacy (lm/W)	103LPW - 114LPW	106LPW - 113LPW	131LPW - 140LPW	131LPW - 140LPW	123LPW - 137LPW	123LPW - 137LPW
CCT	Selectable - 3000K, 3500K, 4000K or 5000K					
CRI	80+					
L70 Lifetime (hrs)	50,000					
Voltage	120-277V					
Power Factor	0.9					
Dimming	No	No	No	No	No	Yes (0-10V)
Housing Material	Polybutylene Terephthalate (PBT) Plastic					
Base Type	G-23	GX23	GX23	G24D	GX32D	G24Q
Tubes	Single			Double		
Operating Temp.	-20°C - 45°C (-4°F - 113°F)					
Listing	cULus - RoHS - NSF - Damp Location Rated					
Environment	Damp Location					
Warranty	5 Years Standard					
Amps	0.03	0.05	0.045	0.045	0.06	0.06
Weight (lbs)	3.880	4.570	6.490	6.490	0.214	0.209
Operating Position	Horizontal			Omni		
Frequency	60Hz			50/60Hz		

## ProLED Select Plug-In Lamp Series

### Specifications Table Continued

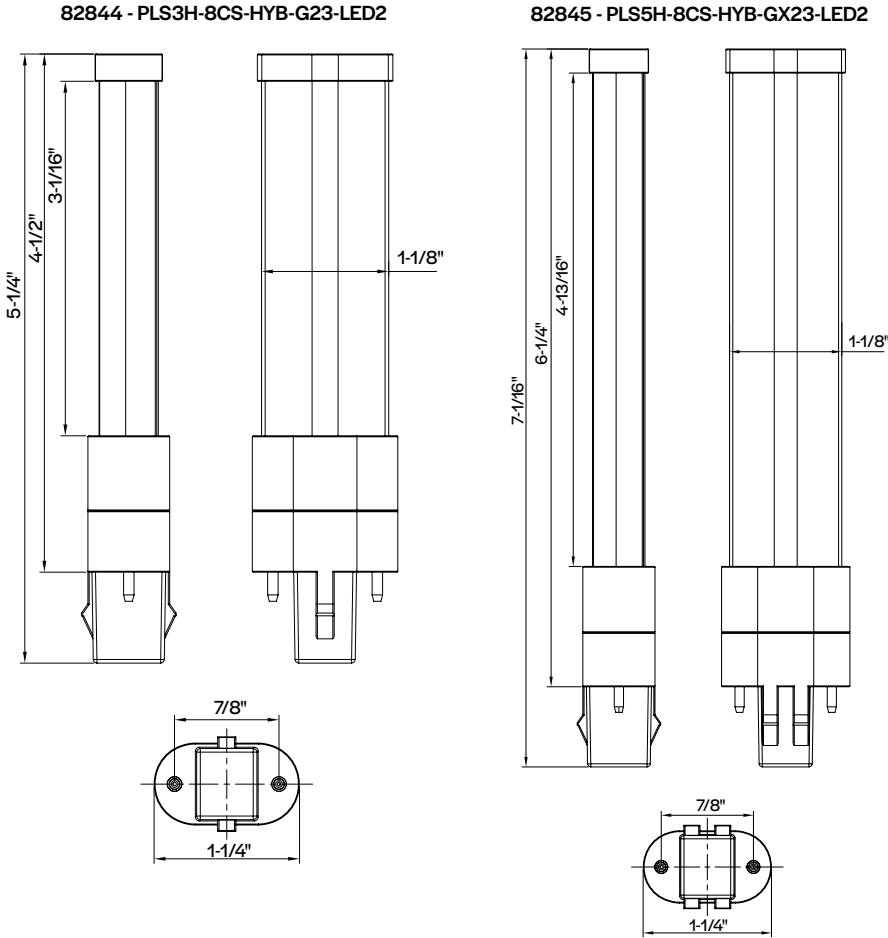
	PLD90-8CS-HYB-G24D-LED2	PLD90-8CS-HYB-G24Q-LED2-D	PLD90-8CS-HYB-GX32-LED2	PLD9H-8CS-DIR-G24Q-LED2-D	PLD9V-8CS-DIR-G24Q-LED2-D
Nominal Wattage	9W	9.5W	9W	9.5W	9.5W
Delivered Lumens	1050lm - 1200lm	1050lm - 1200lm	1050lm - 1200lm	960lm - 1050lm	1080lm - 1150lm
Efficacy (lm/W)	124LPW - 135LPW	124LPW - 135LPW	117LPW - 133LPW	101LPW - 111LPW	114LPW - 122LPW
CCT	Selectable - 3000K, 3500K, 4000K or 5000K				
CRI	80+				
L70 Lifetime (hrs)	50,000				
Voltage	120-277V				
Power Factor	0.9				
Dimming	No	Yes (0-10V)	No	Yes (0-10V)	Yes (0-10V)
Housing Material	Polybutylene Terephthalate (PBT) Plastic				
Base Type	G24D	G24Q	GX32D	GX24Q	GX24Q
Tubes	Double			-	
Operating Temp.	-20°C - 45°C (-4°F - 113°F)				
Listing	cULus - RoHS - NSF - Damp Location Rated			cULus - DLC 5.1 Standard - RoHS - NSF - Damp Location Rated	
Environment	Damp Location				
Warranty	5 Years Standard				
Amps	0.09	0.09	0.08	0.088	0.088
Weight (lbs)	7.930	7.930	0.245	7.450	8.820
Operating Position	Omni			Horizontal	Vertical
Frequency	50/60Hz				

	PLT70-8CS-BYP-GX24D-LED2	PLT90-8CS-BYP-GX24D-LED2	PLT150-8CS-BYP-GX24D-LED2	PLT170-8CS-BYP-GX24D-LED2	PLT230-8CS-BYP-GX24D-5-LED2
Nominal Wattage	7W	9W	15W	17W	23W
Delivered Lumens	860lm - 960lm	1050lm - 1200lm	1900lm - 2100lm	2200lm - 2400lm	3000lm - 3300lm
Efficacy (lm/W)	123LPW - 137LPW	124LPW - 135LPW	127LPW - 140LPW	126LPW - 141LPW	130LPW - 140LPW
CCT	Selectable - 3000K, 3500K, 4000K or 5000K				
CRI	80+				
L70 Lifetime (hrs)	50,000				
Voltage	120-277V				
Power Factor	0.9				
Dimming	No	No	No	No	No
Housing Material	Polybutylene Terephthalate (PBT) Plastic				
Base Type	GX24D	GX24D	GX24D	GX24D	GX24D-5
Tubes	Triple				
Operating Temp.	-20°C - 45°C (-4°F - 113°F)			-20°C - 35°C (-4°F - 95°F)	
Listing	cULus - RoHS - NSF - Damp Location Rated				
Environment	Damp Location				
Warranty	5 Years Standard				
Amps	0.06	0.08	0.135	0.155	0.2
Weight (lbs)	0.320	0.390	8.890	9.130	0.692
Operating Position	Omni				
Frequency	50/60Hz				

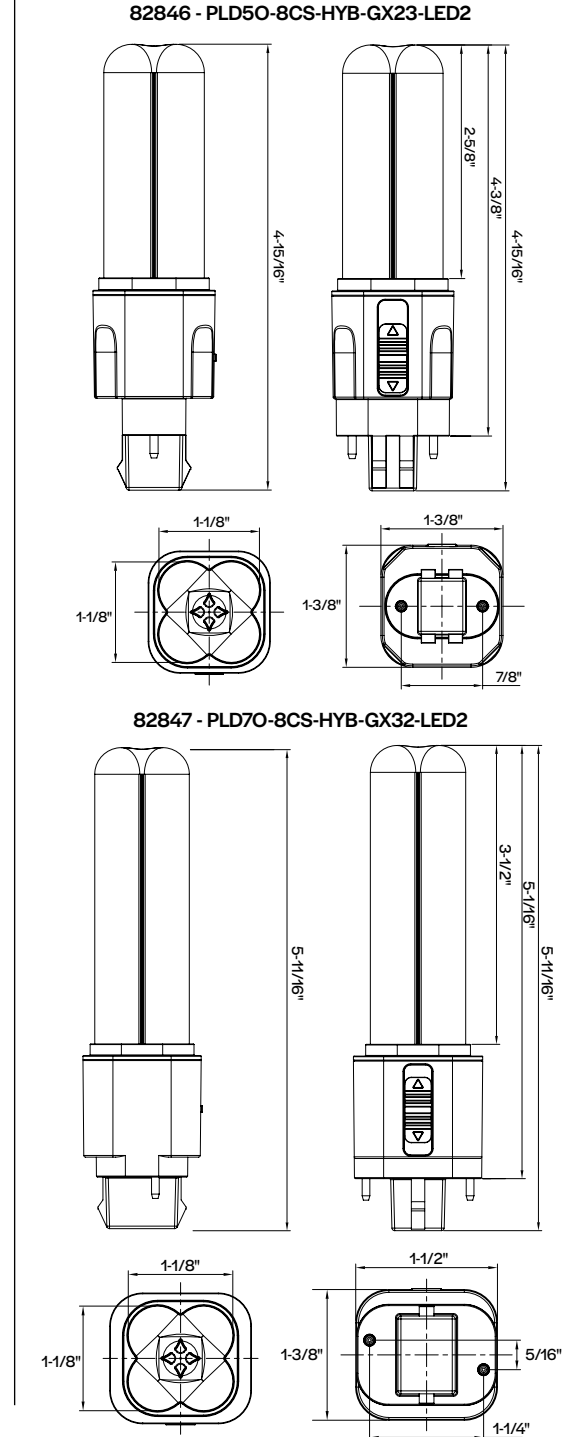
## ProLED Select Plug-In Lamp Series

### Dimensions

#### Single Tube Plug-In Lamp



#### Double Tube Plug-In Lamp

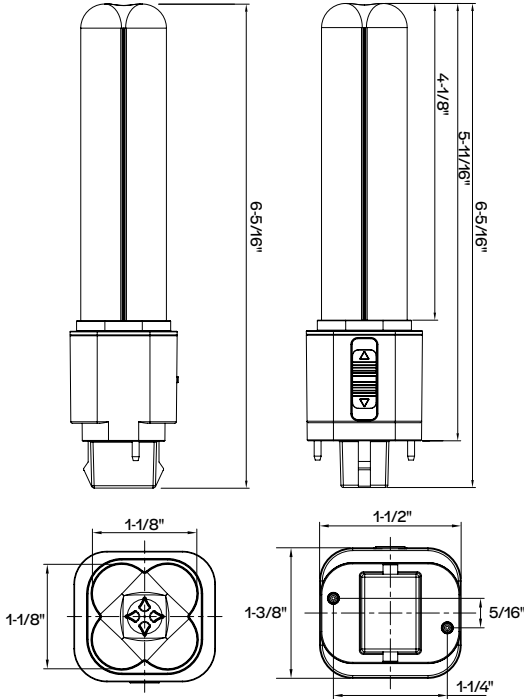


## ProLED Select Plug-In Lamp Series

### Dimensions

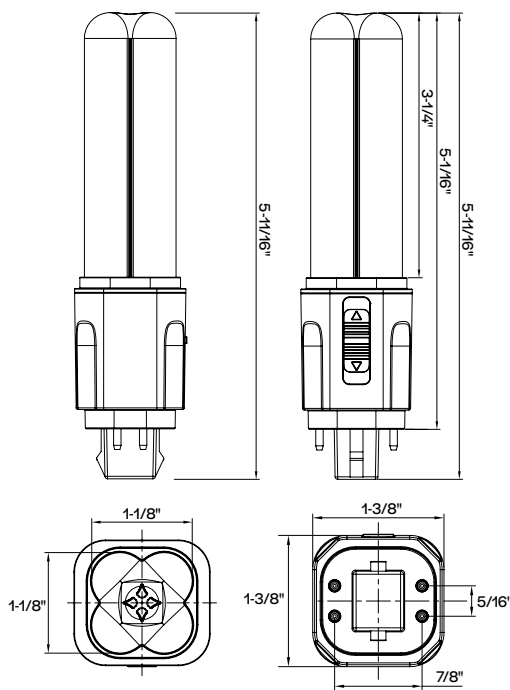
**Double Tube Plug-In Lamp**

82848 - PLD90-8CS-HYB-GX32-LED2



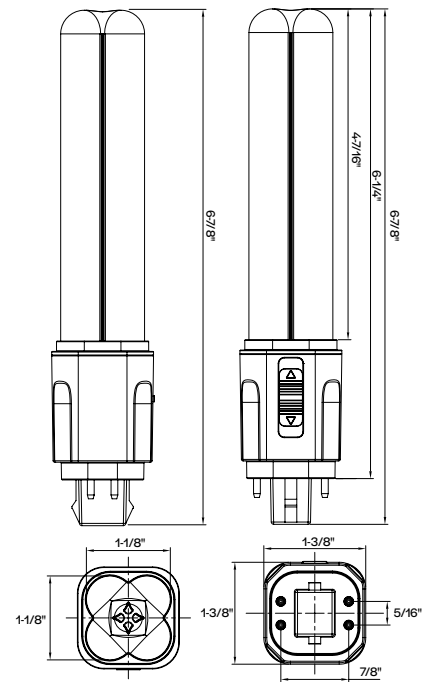
**Double Tube Plug-In Lamp**

82850 - PLD70-8CS-HYB-G24Q-LED2-D

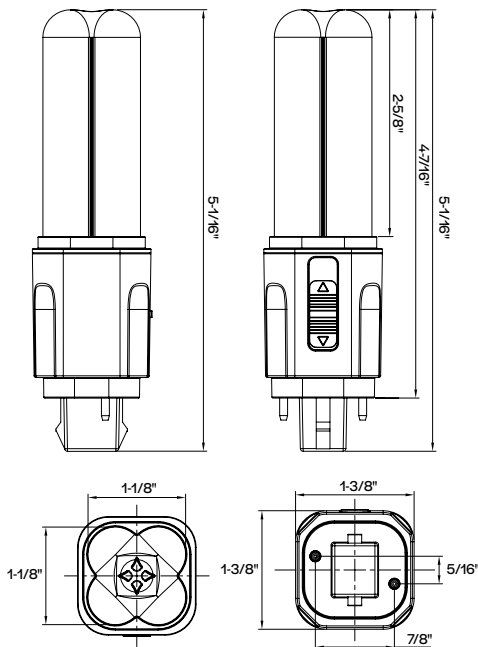


**Double Tube Plug-In Lamp**

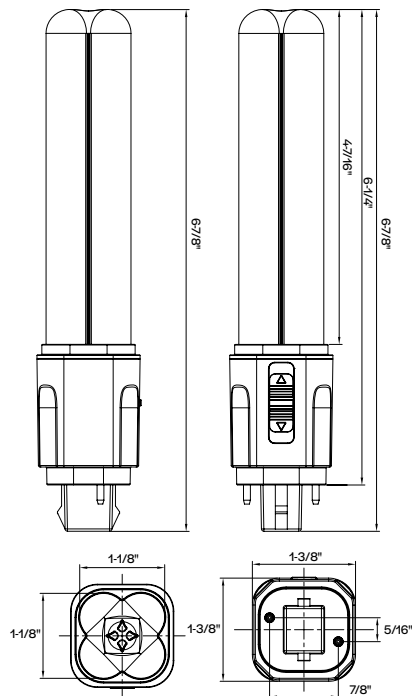
82852 - PLD90-8CS-HYB-G24Q-LED2-D



**82849 - PLD50-8CS-HYB-G24D-LED2**

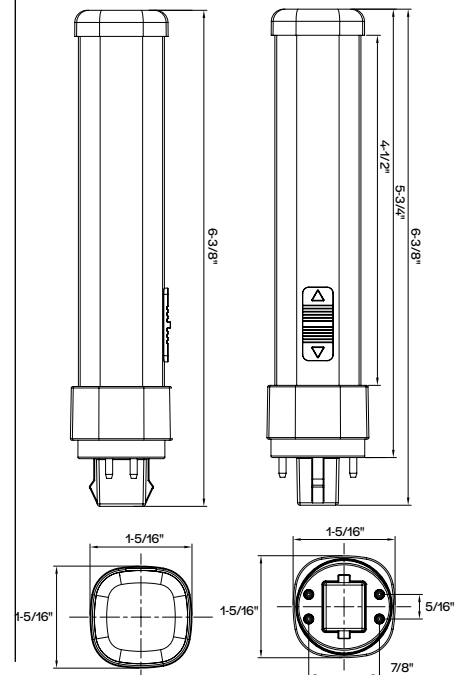


**82851 - PLD90-8CS-HYB-G24D-LED2**



**Non-Tube Plug-In Lamp**

82853 - PLD9H-8CS-DIR-G24Q-LED2-D

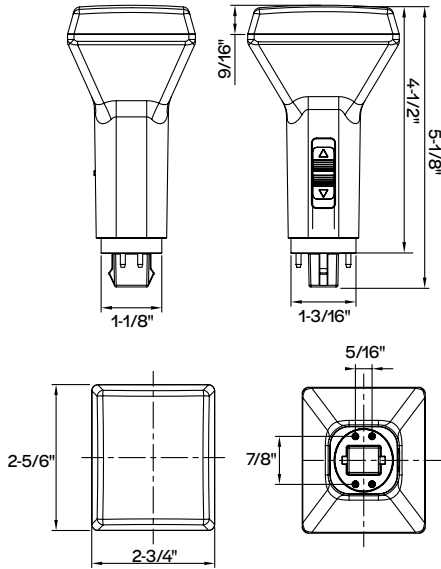


## ProLED Select Plug-In Lamp Series

### Dimensions

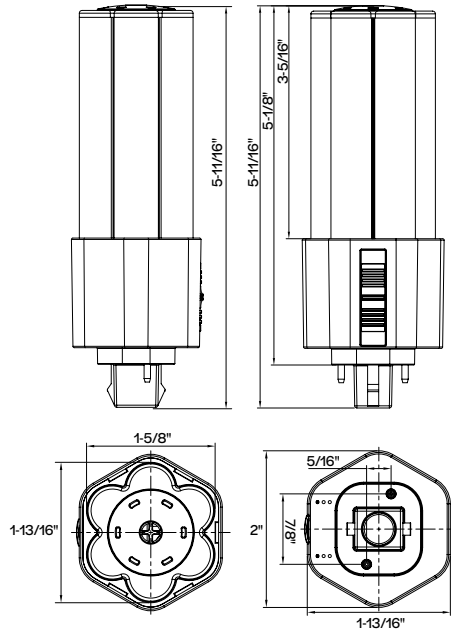
#### Non-Tube Plug-In Lamp

82854 - PLD9V-8CS-DIR-G24Q-LED2-D



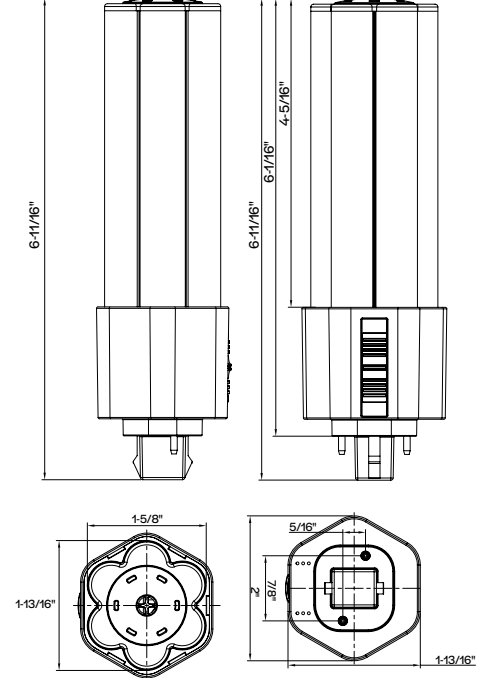
#### Triple Tube Plug-In Lamp

82856 - PLT90-8CS-BYP-GX24D-LED2



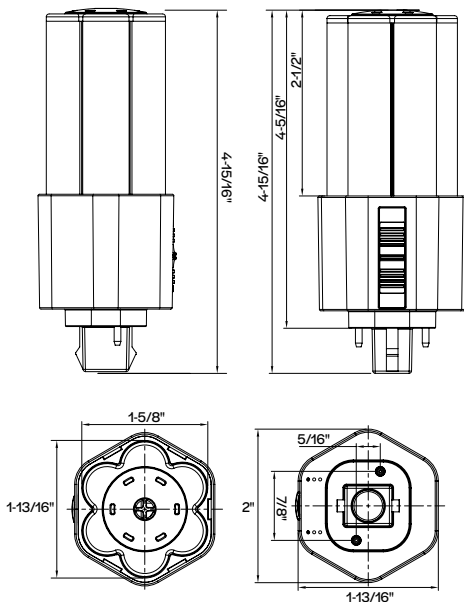
#### Triple Tube Plug-In Lamp

82858 - PLT170-8CS-BYP-GX24D-LED2

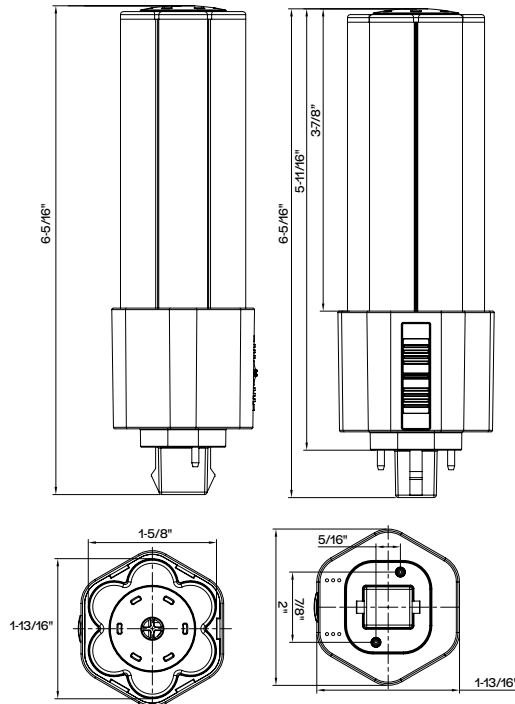


#### Triple Tube Plug-In Lamp

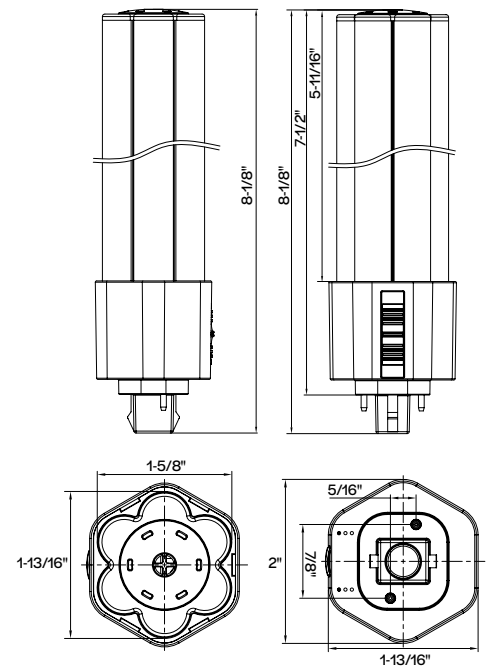
82855 - PLT70-8CS-BYP-GX24D-LED2



82857 - PLT150-8CS-BYP-GX24D-LED2



82859 - PLT230-8CS-BYP-GX24D-5-LED2



## ProLED Select Plug-In Lamp Series

### Dimmer Compatibility

Dimmer Brand	Dimmer Model	Ballast Brand	Ballast Model	Lamp #	82850	82852	82853	82854
Lutron	NTSTV-DV	Philips advance	IZT-2S26-M5-BS	1 Lamp	●	●	●	●
				2 Lamps	●	●	●	●
		Philips advance	IZT-2S26-M5-LD	1 Lamp	●	●	●	●
				2 Lamps	●	●	●	●
		Philips advance	IZT-2T42-M5-BS	1 Lamp	●	●	●	●
				2 Lamps	●	●	●	●
		Philips advance	IZT-2T42-M5-LD	1 Lamp	●	●	●	●
				2 Lamps	●	●	●	●
		Sylvania	QTP 2x26CF/UNV DIM	1 Lamp	●	●	●	●
				2 Lamps	●	●	●	●
Lutron	DVSCTV	Philips advance	IZT-2S26-M5-BS	1 Lamp	●	●	●	●
				2 Lamps	●	●	●	●
		Philips advance	IZT-2S26-M5-LD	1 Lamp	●	●	●	●
				2 Lamps	●	●	●	●
		Philips advance	IZT-2T42-M5-BS	1 Lamp	●	●	●	●
				2 Lamps	●	●	●	●
		Philips advance	IZT-2T42-M5-LD	1 Lamp	●	●	●	●
				2 Lamps	●	●	●	●
		Sylvania	QTP 2x26CF/UNV DIM	1 Lamp	●	●	●	●
				2 Lamps	●	●	●	●
Lutron	NFTV	Philips advance	IZT-2S26-M5-BS	1 Lamp	●	●	●	●
				2 Lamps	●	●	●	●
		Philips advance	IZT-2S26-M5-LD	1 Lamp	●	●	●	●
				2 Lamps	●	●	●	●
		Philips advance	IZT-2T42-M5-BS	1 Lamp	●	●	●	●
				2 Lamps	●	●	●	●
		Philips advance	IZT-2T42-M5-LD	1 Lamp	●	●	●	●
				2 Lamps	●	●	●	●
Lutron	DVSTV	Philips advance	IZT-2S26-M5-BS	1 Lamp	●	●	●	●
				2 Lamps	●	●	●	●
		Philips advance	IZT-2S26-M5-LD	1 Lamp	●	●	●	●
				2 Lamps	●	●	●	●
		Philips advance	IZT-2T42-M5-BS	1 Lamp	●	●	●	●
				2 Lamps	●	●	●	●
		Philips advance	IZT-2T42-M5-LD	1 Lamp	●	●	●	●
				2 Lamps	●	●	●	●
		Sylvania	QTP 2x26CF/UNV DIM	1 Lamp	●	●	●	●
				2 Lamps	●	●	●	●

Note: Dimmer compatibility dependent on dimmable ballast.

## ProLED Select Plug-In Lamp Series

### Dimmer Compatibility Continued

Dimmer Brand	Dimmer Model	Ballast Brand	Ballast Model	Lamp #	82850	82852	82853	82854
Legrand	ADPD4FBL3P2	Philips advance	IZT-2S26-M5-BS	1 Lamp	●	●	●	●
				2 Lamps	●	●	●	●
		Philips advance	IZT-2S26-M5-LD	1 Lamp	●	●	●	●
				2 Lamps	●	●	●	●
		Philips advance	IZT-2T42-M5-BS	1 Lamp	●	●	●	●
				2 Lamps	●	●	●	●
		Philips advance	IZT-2T42-M5-LD	1 Lamp	●	●	●	●
				2 Lamps	●	●	●	●
		Sylvania	QTP 2x26CF/UNV DIM	1 Lamp	●	●	●	●
				2 Lamps	●	●	●	●
Legrand	H4FBL3P	Philips advance	IZT-2S26-M5-BS	1 Lamp	●	●	●	●
				2 Lamps	●	●	●	●
		Philips advance	IZT-2S26-M5-LD	1 Lamp	●	●	●	●
				2 Lamps	●	●	●	●
		Philips advance	IZT-2T42-M5-BS	1 Lamp	●	●	●	●
				2 Lamps	●	●	●	●
		Philips advance	IZT-2T42-M5-LD	1 Lamp	●	●	●	●
				2 Lamps	●	●	●	●
		Sylvania	QTP 2x26CF/UNV DIM	1 Lamp	●	●	●	●
				2 Lamps	●	●	●	●
Leviton	IP710-DLZ	Philips advance	IZT-2S26-M5-BS	1 Lamp	●	●	●	●
				2 Lamps	●	●	●	●
		Philips advance	IZT-2S26-M5-LD	1 Lamp	●	●	●	●
				2 Lamps	●	●	●	●
		Philips advance	IZT-2T42-M5-BS	1 Lamp	●	●	●	●
				2 Lamps	●	●	●	●
		Philips advance	IZT-2T42-M5-LD	1 Lamp	●	●	●	●
				2 Lamps	●	●	●	●
		Sylvania	QTP 2x26CF/UNV DIM	1 Lamp	●	●	●	●
				2 Lamps	●	●	●	●

Note: Dimmer compatibility dependent on dimmable ballast.