

Controls

2-Button Bluetooth Mesh Wall Controller

- Bluetooth® NLC Certified
- Manual on/off (wireless)
- Dim up/down (wireless)
- Conforms with DLC NLC5 Cybersecurity Standards
- Mounts in any standard wall box
- Color: white



Switch Plate Sold Separately



Specifications

Description

The 2-Button Bluetooth mesh wall controller wirelessly communicates with other Bluetooth mesh network devices to provide scene and light level control to lighting in the space. It can be installed in a standard 1-gang wall box. This wall switch controls all of the lights in a specific zone. The unit also functions as a dimmer to override the pre-configured occupancy sensor settings.

Key Features

- 2-button wall controller
- 120–277 VAC input, max 1.5W power consumption
- Fits standard wall box
- Bluetooth range up to 30 ft (9.14 m)
- Operating temp: 0° to 55°C; Storage: -10° to 60°C
- 90–95% non-condensing humidity at 30°C

Operation

- TruBlu™ Mesh wall controller with Bluetooth NLC certification
- Supports true multi-vendor interoperability
- Configurable via TruBlu™ web portal or iOS app
- App used for setup and parameter adjustments
- Optional TruBlu™ Gateway enables energy monitoring
- Demand response available with gateway (sold separately)

Note:
1. Bluetooth Range is highly dependent on the integration of fixtures, surrounding environment and conditions. It is recommended to conduct testing for range accuracy.

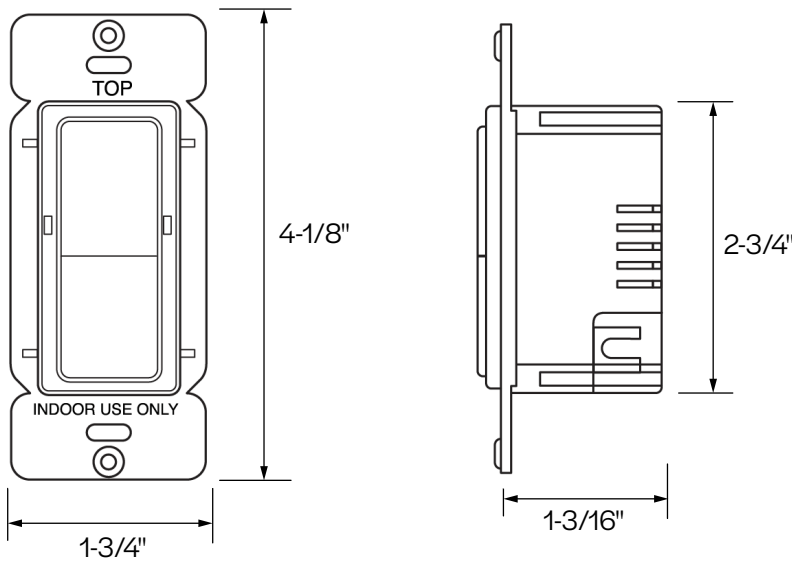
Controls

2-Button Bluetooth Mesh Wall Controller

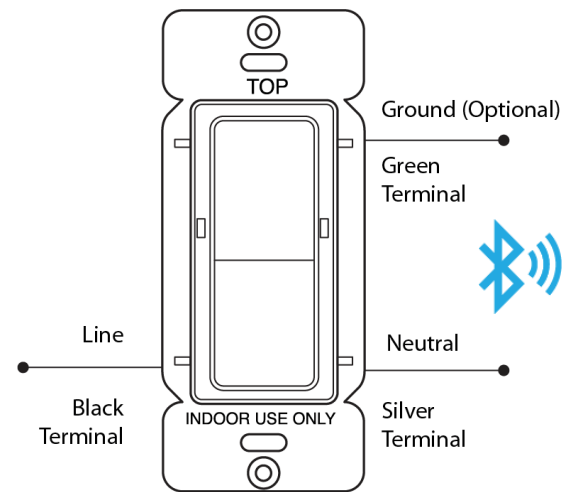
Ordering Information

Product SKU	Product Code	Product Description
25426	PSC-DM-WS-200-BLE-SR-WH	TruBlu SIG Bluetooth Mesh Wireless 2-Button Wall Controller, White (faceplate not included)

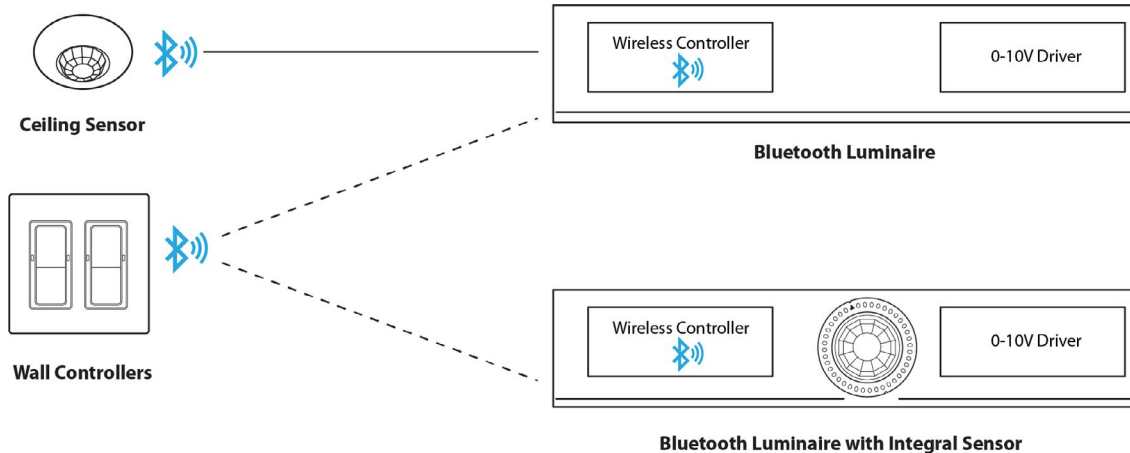
Dimensions



Wiring

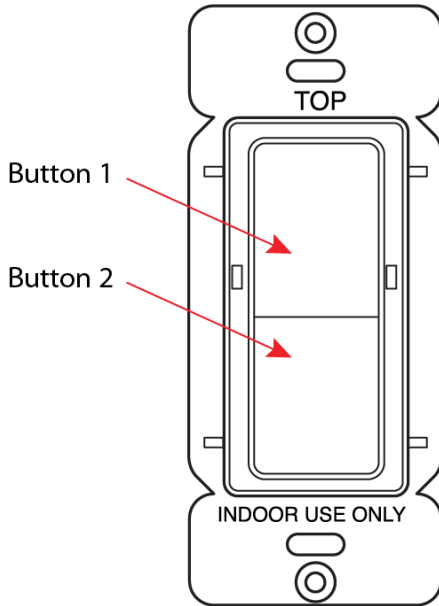


Example Connections



2-Button Bluetooth Mesh Wall Controller

Wireless Manual Control



On/Off Control

Button 1 for On:

- Short press - ON

Button 2 for Off:

- Short press - OFF

For dimming:

Button 1 for Raise:

- Press and Hold - Raise

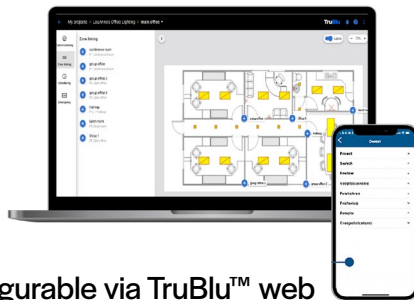
Button 2 for Lower:

- Press and Hold - Lower

Factory Reset:

- Hold both Button 1 and Button 2 for 10 sec. The device returns to an un-provisioned state.

Commissioning App



Configurable via TruBlu™ web portal or iOS mobile app



Scan to Download the App for iOS Devices