

## Controls

### Wireless Fixture Controller with Quick Connector

- Bluetooth® NLC Certified
- 1-Channel 0-10VDC Dimming
- Mounts On Fixture
- High-End Trim, Zoning, Continuous Dimming
- Z10 0-10V Base
- Optional Load Control Output (active high)
- IP65 Outdoor And Indoor Applications
- Quick Connector For Easy Installation
- Powered by 12-24VDC



## Specifications

### Description

These products are single-channel wireless fixture controllers featuring a Z10 base with active-high output for relay control. The controllers are IP65 rated for exterior use. They are suitable for a variety of indoor and outdoor applications in temperatures ranging from -40° to 70°C. These devices are Bluetooth® NLC certified and controlled wirelessly via Bluetooth Mesh technology allowing for wireless dimming of luminaires. The compact size allows for seamless integration to the fixture.

### Key Features

- 1-channel fixture controller
- 12–24 VDC input, 100 mA current consumption
- 0–10VDC dimming output, 30 mA
- Active high load control output
- Mounts via quick-connect receptacle (sold separately)
- Bluetooth range up to 100 ft (30.4 m)
- Operating temp: -30°C to 70°C

### Operation

- Bluetooth NLC certified controller with TruBlu™ Mesh
- Supports multi-vendor interoperability
- Configurable via TruBlu™ web portal or iOS mobile app
- Enables energy monitoring and demand response (with optional gateway)
- 0–10V dimming output for driver control
- Mounts to Z10 0–10V receptacle

Note:  
1. Bluetooth Range is highly dependent on the integration of fixtures, surrounding environment and conditions. It is recommended to conduct testing for range accuracy.

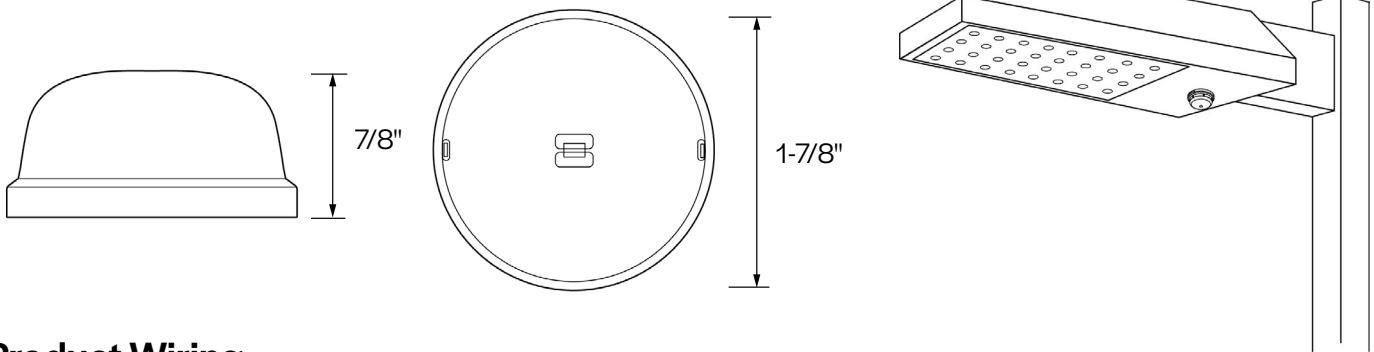
Controls

# Wireless Fixture Controller with Quick Connector

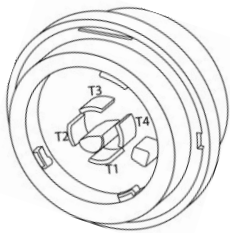
## Ordering Information

Product SKU	Product Code	Product Description
25413	PSC-ZKV-WCM-100-BLE-SR-BN	TruBlu SIG Mesh Fixture Controller, 12-24VDC, Single Channel 0-10 Volt Dimming, Z10, Bronze
25417	PSC-ZKV-WCM-100-BLE-SR-WT	TruBlu SIG Mesh Fixture Controller, 12-24VDC, Single Channel 0-10 Volt Dimming, Z10, White

## Dimensions



## Product Wiring



View of Back of Device



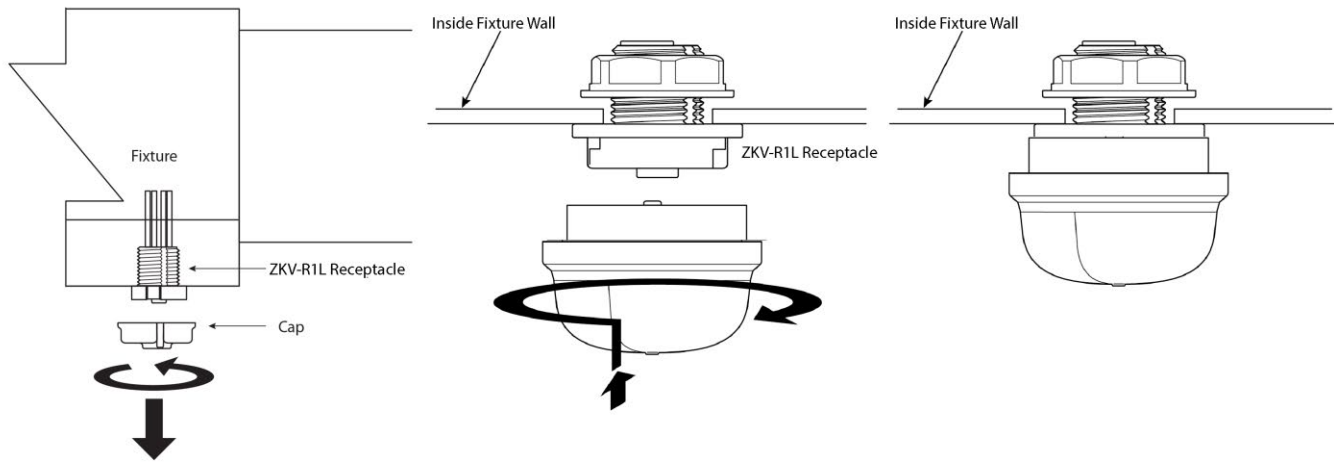
View of Z10 0-10V Device Receptacle

Tab/Slot	Designation	Notes
T1	12-24VDC+ Power to Sensor-Controller	Red Wire (ZKV-R1L Receptacle)
T2	12-24VDC- Power and 0-10VDC-/Common	Black Wire (ZKV-R1L Receptacle)
T3	0-10VDC+ Control Signal from Sensor-Controller	Purple (Violet) Wire (ZKV-R1L Receptacle)
T4	10-22VDC 30mA Load Control Output (Active High)	Yellow Wire (ZKV-R1L Receptacle)

Controls

# Wireless Fixture Controller with Quick Connector

## Installation Of Sensor-Controller

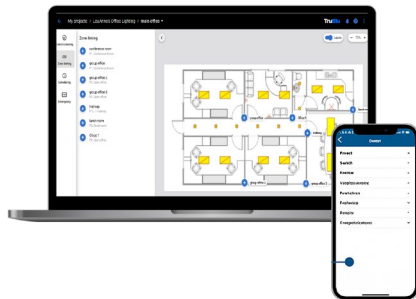


To install a ZKV device, first remove the protective cap on the ZKV-R1L receptacle by pushing up and rotating counterclockwise.

To install ZKV devices insert, push in and rotate clockwise to lock. No tools are required. Luminaires can be easily and quickly upgraded.

The receptacle for ZKV devices is typically installed by luminaire manufacturer and is shipped to job site with a protective cap.

## Commissioning App



Scan to Download the App for iOS Devices

Configurable via TruBlu™ web portal or iOS mobile app