

# LED TRACK HEAD LIGHTING

CCT SELECTABLE | 36 & 48 BEAM SPREAD | J-TRACK



**Adjustable Track Head - Allows for Horizontal and Vertical Positioning**



**CCT Selectable Switch**



**COMPATIBLE WITH SINGLE  
CIRCUIT AND 2 CIRCUIT  
J-STYLE TRACK**

**5 CCT SELECTABLE**

**90 CRI HIGH QUALITY LIGHT**

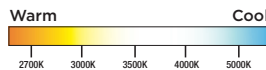
**CONTEMPORARY DESIGN**

**SUGGESTED APPLICATIONS**

- Commercial
- Residential
- Retail
- Hospitality
- Accent Lighting



**ColorQuick**  
Selectable Color Technology



New to SATCO|NUVO, these LED CCT Selectable track head fixtures are now compatible with both Single Circuit and 2 Circuit J-Style track systems, offering expanded versatility for a range of lighting applications. J-Style track—widely used in residential and commercial settings—features a simple, streamlined connector design that supports flexible configurations. With 36- and 48-degree beam spreads, these fixtures provide focused illumination in compact areas. The CCT selectable feature offers five color temperature options at installation, while a high 90 CRI ensures accurate, true-to-life color rendering. Available in matte black or matte white finishes and in 10, 20, or 30-watt options, these energy-efficient track heads combine modern style with reliable performance.



**GENERAL SPECIFICATIONS**

**Input Voltage:** 120V  
**Operating Frequency:** 60Hz  
**Power Factor:** >0.9  
**Efficacy:** 70.00 LPW  
**CCT Selectable:** 2700K/3000K/3500K/4000K/5000K  
**CRI:** 90+  
**Location Rating:** Dry

**Ambient Operating Temperature:**  
 -20°C (-4°F) to +40°C (+104°F)  
**Track Type:** J-Track Compatible  
**Construction:** Aluminum / Steel  
**Lens Material:** Poly methyl methacrylate (PMMA)  
**Functional Life:** 30,000 Hours  
**Warranty:** 3 Year Limited

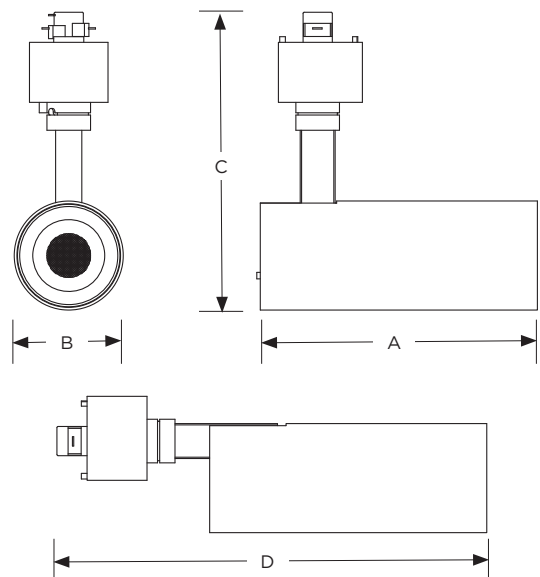


**ITEM SPECIFICATIONS / ORDER INFO**

Item	Finish	Wattage	Lumens	Input Current	Beam Angle
TH5001	Matte White	10W	700	0.09A	36
TH5002	Matte Black	10W	700	0.09A	36
TH5003	Matte White	10W	700	0.09A	48
TH5004	Matte Black	10W	700	0.09A	48
TH5011	Matte White	20W	1400	0.18A	36
TH5012	Matte Black	20W	1400	0.18A	36
TH5013	Matte White	20W	1400	0.18A	48
TH5014	Matte Black	20W	1400	0.18A	48
TH5021	Matte White	30W	2100	0.27A	36
TH5022	Matte Black	30W	2100	0.27A	36
TH5023	Matte White	30W	2100	0.27A	48
TH5024	Matte Black	30W	2100	0.27A	48

**DIMENSIONS / WEIGHTS**

Item	Length (A)	Width (B)	Height (C)	Extends (D)	Weight
TH5001	5.00"	2.00"	5.38"	7.75"	0.70 Lbs.
TH5002	5.00"	2.00"	5.38"	7.75"	0.70 Lbs.
TH5003	5.00"	2.00"	5.38"	7.75"	0.70 Lbs.
TH5004	5.00"	2.00"	5.38"	7.75"	0.70 Lbs.
TH5011	6.31"	2.43"	5.88"	8.63"	1.02 Lbs.
TH5012	6.31"	2.43"	5.88"	8.63"	1.02 Lbs.
TH5013	6.31"	2.43"	5.88"	8.63"	1.02 Lbs.
TH5014	6.31"	2.43"	5.88"	8.63"	1.02 Lbs.
TH5021	6.71"	3.14"	6.63"	9.06"	1.57 Lbs.
TH5022	6.71"	3.14"	6.63"	9.06"	1.57 Lbs.
TH5023	6.71"	3.14"	6.63"	9.06"	1.57 Lbs.
TH5024	6.71"	3.14"	6.63"	9.06"	1.57 Lbs.



This device complies with Part 15 of the FCC Rules. Operation is subject to the following two conditions: (1) this device may not cause harmful interference, and (2) this device must accept any interference received, including interference that may cause undesired operation. Fixture may not be compatible with all dimmers.

WARNING: Some products included in this specification sheet may be subject to the warning requirements of California's Proposition 65. Please refer to your product packaging for more information.

Fixture may not be compatible with all dimmers. See [satco.com](http://satco.com) for details.

Meets requirements of ICES-005 issue 5 class B for use in residential applications.

Replacement wattage shown depends on application and fixture. Specifications are subject to change without prior notice.