

SATCO® | NUVO®



LED | FUNCTIONAL FIXTURES

Table of Contents

Architectural Outdoor Wall	72-75
Area Lights	28-47
BLINK PRO	212-215
BLINK Emergency	223
BLINK Performer	220-222
BLINK Plus	216-219
Bulkhead Fixtures	76-77
Cameras	256-261
Canopy Lights	22-27
Cloud Fixtures	228-229
Commercial Downlights	168-173
Direct Wire Downlights	164-167
Disk Lights	226-227
Doorbells	262-263
Downlight Retrofits	120-139
Dual Head Security	56-67
Exit Emergency	266-283
Flat Panels	116-117
Flood Lights	50-55
Gooseneck	48-49
High Bay	82-99
Lamp Ready Fixtures	106-107
Landscape Floods	60-61
Linear Strip	86-95
Linear Tri-Proof	104-105
Linear Vapor Tight	102-103
Recessed Can Assemblies	140-141
Remote Driver Downlights	142-163
Shop Lights	208-211
Smart Plug	264-265
Step Lights	70-71
Strips	112-115
Surface Mounts	224-225
Track Lighting	174-199
Troffers	118-119
Under Cabinet / Cove	200-207
Utility / Multi Purpose	230-253
Utility Indoor / Outdoor	254-255
Vapor Tight	78-81
Wall Packs	4-21
Wraps	108-111



**50+ YEARS IN
BUSINESS**

**100% INDEPENDENT
PRIVATELY OWNED**

**2 MILLION SQ. FT
OF INVENTORY**

15,000 + PRODUCTS

**6 WAREHOUSE
LOCATIONS**

SATCO|NUVO's Functional line of luminaries offers the latest technologies and manufacturing design in LED lighting for the commercial, industrial and residential market.

We bring quality, value and design to every product we create. With each progressive generation our technology and engineering advance, improving product performance, versatility of application, ease of installation, safety, maintenance and overall satisfaction.

SATCO|NUVO provides lighting solutions you can count on, and products you can rely on.

TRADITIONAL WALL PACKS WATTAGE & CCT SELECTABLE



Features:

- Power Quick™ technology
- 3 Selectable wattages
- Color Quick® technology
- 3 Selectable CCTs
- IP65 rugged, all weather durability
- Integrated Emergency battery backup versions
- Integrated By-Passable Photocell
- DLC PREMIUM
- 50,000 hours long life



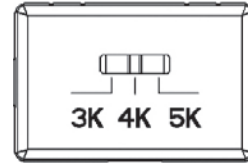
ColorQuick[®]
Selectable Color Technology



TRADITIONAL WALL PACKS WATTAGE & CCT SELECTABLE



Traditional Full Footprint



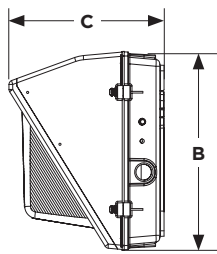
Color Temperature Selectable (CCT) Switch



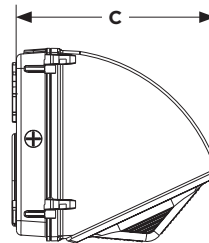
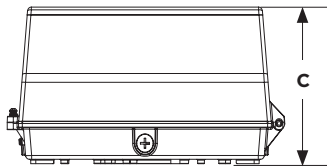
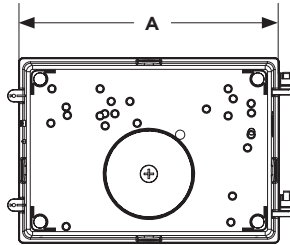
29W/40W/60W
3=60W
2=40W
1=29W

80W/100W/120W
3=120W
2=100W
1=80W

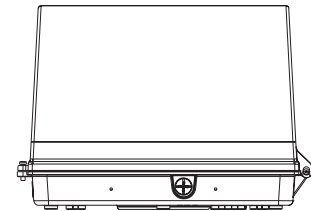
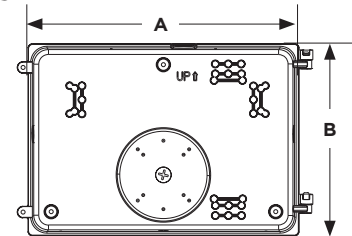
Wattage Selectable Switch



65-754, 65-755, 65-756,
65-757, 65-758



65-760, 65-761,
65-762



Specifications



Certifications



Item	Description	Watts	Volts	Lumens	(A) Width	(B) Height	(C) Ext.
LED Wall Pack CCT & Wattage Adjustable							
65-754	Wall Pack CCT & Watt ADJ with Integrated EM	29W/40W/60W	120-277V	4060-8640	13.8"	9.35"	7.39"
65-755	Wall Pack CCT & Watt ADJ	29W/40W/60W	120-277V	4060-8640	13.8"	9.35"	7.39"
65-756	Wall Pack CCT & Watt ADJ	80W/100W/120W	120-277V	11200-17280	13.8"	9.35"	7.39"
65-757	Wall Pack CCT & Watt ADJ	29W/40W/60W	120-347V	4118-8700	13.8"	9.35"	7.39"
65-758	Wall Pack CCT & Watt ADJ	80W/100W/120W	120-347V	11360-17400	13.8"	9.35"	7.39"
LED Semi-Cutoff Wall Pack CCT & Wattage Adjustable							
*65-760	Semi-Cutoff Wall Pack CCT & Watt	29W/40W/60W	120-277V	3915-8400	14.26"	9.83"	9.33"
*65-761	Semi-Cutoff Wall Pack CCT & Watt	80W/100W/120W	120-277V	10800-15600	14.26"	9.83"	9.33"
*65-762	Semi-Cutoff Wall Pack CCT & Watt ADJ with Integrated EM	29W/40W/60W	120-277V	3915-8400	14.26"	9.83"	9.33"
Accessories		Finish					
65-818	Protective Cage Semi-Cutoff Wall Pack	Steel					
65-819	Protective Cage Traditional Wall Pack	Steel					

Consult Satco or visit www.satco.com for an up-to-date dimmer compatibility list. See warranty for details.

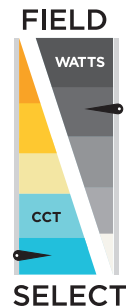
Product sheet NU1570

LED LOW PROFILE WALL PACK FIELD SELECTABLE

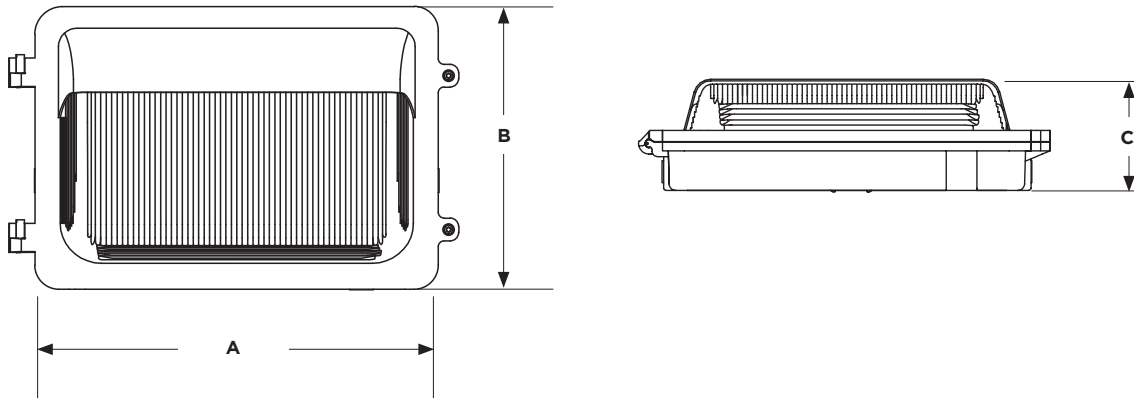


Features:

- Wattage & CCT Selectable
- Low Profile Design - Ext. less than 4.25"
- Integrated By-Passable Photocell
- IK08 Vandal Resistant Glass Lens



LED LOW PROFILE WALL PACK FIELD SELECTABLE



Intergrated Photocell



1/2" Knockouts on Both Sides of Fixture
1/2" Knockouts on Both Sides of Fixture



IK08 Vandal Resistant Glass Lens

Item	Description	CCT	Lumens	(A) Width	(B) Height	(C) Ext.
65-884	Low Profile Wall Pack - Bronze	3000/4000/5000K	3844-7506	15.55"	9.76"	4.21"
65-885	Low Profile Wall Pack - Bronze	3000/4000/5000K	8817-12941	15.55"	9.76"	4.21"

*Consult Satco or visit www.satco.com for an up-to-date dimmer compatibility list. See warranty for details.

Product sheet SN1264

Specifications



Certifications



ADJUSTABLE WALLPACK CCT SELECTABLE

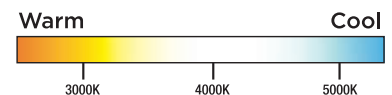


Features:

- 28W, 40W, 60W and 80W Options
- CCT Selectable - 3000K/4000K/5000K
- Adjusts from 0° to 90°
- Die-cast aluminum body
- UV stabilized powder coated
- Bronze finish
- Impact resistant polycarbonate lens
- 65° x 95° Beam angle
- Operating temperature:
-40°C to 40°C (-40°F to 104°F)
- IP65
- 5 Year warranty



ColorQuick[®]
Selectable Color Technology



ADJUSTABLE WALLPACK CCT SELECTABLE

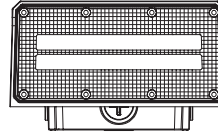


Wall Pack
(shown at 90°)

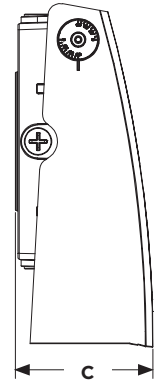
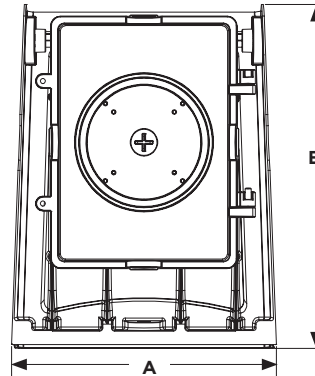
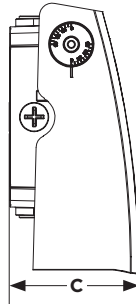
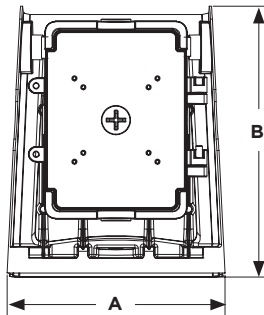
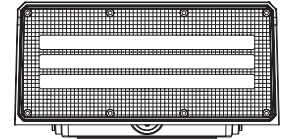


Adjusts from 0° to 90°

28W & 40W
Wall Pack



60W & 80W
Wall Pack



Specifications



Certifications



Item	Description	Watts	Lumens	CCT Selectable	MH Equiv.	(A) Width	(B) Height	(C) Ext.
**65-677	28W Wall Pack - Bronze	28	3360-3500	3000K/4000K/5000K	70-100W	6.5"	8.08"	3.86"
**65-678	40W Wall Pack - Bronze	40	4800-5000	3000K/4000K/5000K	100-150W	6.5"	8.08"	3.86"
*65-679	60W Wall Pack - Bronze	60	7200-7500	3000K/4000K/5000K	150-200W	8.5"	11.02"	11.88"
*65-680	80W Wall Pack - Bronze	80	9600-10000	3000K/4000K/5000K	250W	8.5"	11.02"	11.88"

Accessories

86-205 **Add-on Photocell for LED Wall Pack Fixture (for 65-679 and 65-680 only)

*Consult Satco or visit www.satco.com for an up-to-date dimmer compatibility list.
**Not compatible with 86-205 photocell
See warranty for details.

SEMI CUTOFF WALL PACK CCT SELECTABLE

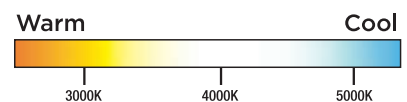


Features:

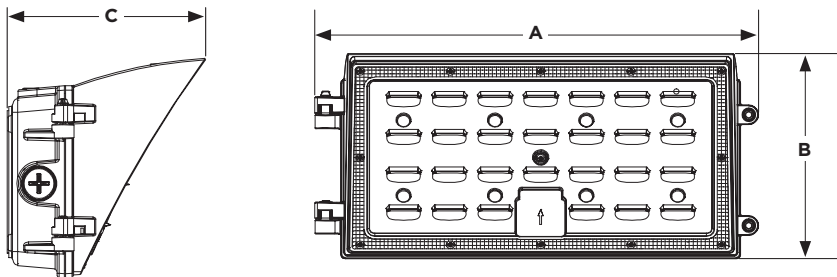
- 40W, 60W and 80W Options
- CCT Selectable - 3000K/4000K/5000K
- Semi cutoff design
- Die-cast aluminum body
- UV stabilized powder coated
- Bronze finish
- 55° x 105° Beam angle
- Operating temperature:
-40°C to 40°C (-40°F to 104°F)
- Impact resistant polycarbonate lens
- IP65
- 5 Year warranty



ColorQuick[®]
Selectable Color Technology



SEMI CUTOFF WALL PACK CCT SELECTABLE



Specifications



Certifications



Item	Description	Watts	Lumens	CCT Selectable	MH Equiv.	(A) Width	(B) Height	(C) Ext.
65-674	40W Semi Cutoff Wall Pack - Bronze	40W	4800-5000	3000K/4000K/5000K	100W-150W	12.6"	5.83"	5.26"
65-675	60W Semi Cutoff Wall Pack - Bronze	60W	7200-7500	3000K/4000K/5000K	150W-200W	12.6"	5.83"	5.26"
65-676	80W Semi Cutoff Wall Pack - Bronze	80W	9600-10000	3000K/4000K/5000K	250W	12.6"	5.83"	5.26"

Accessories

86-205 Add-on Photocell for LED Wall Pack Fixture

*Consult Satco or visit www.satco.com for an up-to-date dimmer compatibility list. See warranty for details.

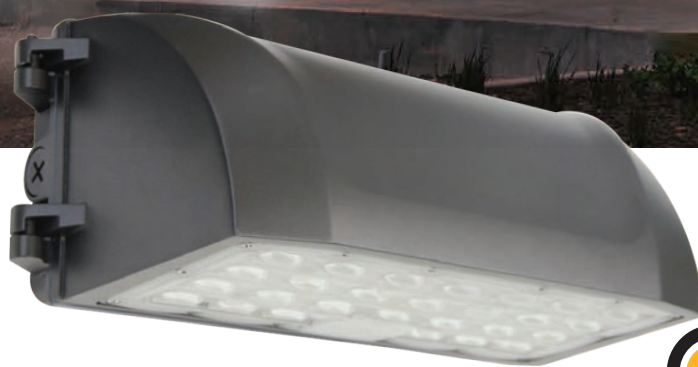
Product sheet NU1625

FULL CUTOFF WALL PACK CCT SELECTABLE

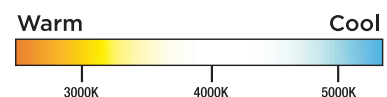


Features:

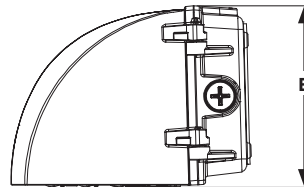
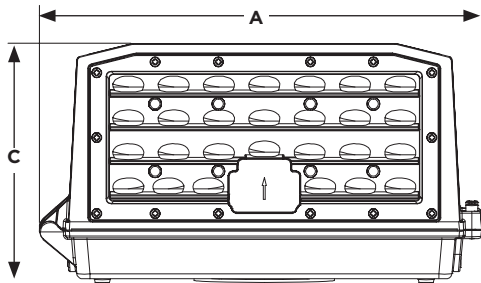
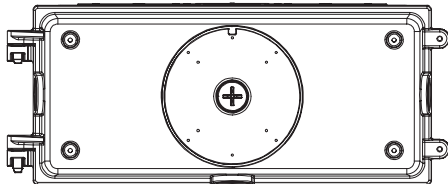
- 28W, 40W, 60W and 80W Options
- CCT Selectable - 3000K/4000K/5000K
- Full cutoff design
- Die-cast aluminum body
- UV stabilized powder coated
- Bronze finish
- 90° x 100° Beam angle
- Operating temperature:
-40°C to 40°C (-40°F to 104°F)
- Impact resistant polycarbonate lens
- IP65
- 5 Year warranty



ColorQuick®
Selectable Color Technology



FULL CUTOFF WALL PACK CCT SELECTABLE



Specifications



Certifications



Item	Description	Watts	Lumens	CCT Selectable	MH Equiv.	(A) Width	(B) Height	(C) Ext.
65-671	40W Full Cutoff Wall Pack - Bronze	40W	4800-5000	3000K/4000K/5000K	100W-150W	12.61"	5.1"	6.86"
65-672	60W Full Cutoff Wall Pack - Bronze	60W	7200-7500	3000K/4000K/5000K	150W-200W	12.61"	5.1"	6.86"
65-673	80W Full Cutoff Wall Pack - Bronze	80W	9600-10000	3000K/4000K/5000K	250W	12.61"	5.1"	6.86"

Accessories

86-205 Add-on Photocell for LED Wall Pack Fixture

*Consult Satco or visit www.satco.com for an up-to-date dimmer compatibility list. See warranty for details.

Product sheet NU1625

LED ENTRYWAY WALL PACK INTEGRATED BY-PASSABLE PHOTOCELL FIELD SELECTABLE



Features:

- Type III Distribution
- IK08 Impact Resistant
- 0-10V Dimming
- UV Stabilized Powder Coated
- Die-Cast Aluminum Construction
- 3 Soft to Natural Light Settings



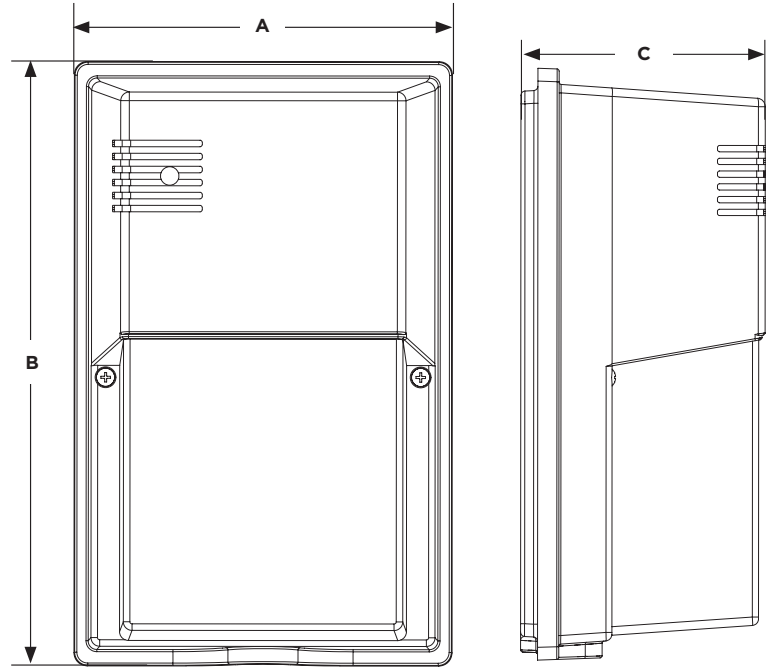
LED ENTRYWAY WALL PACK INTEGRATED BY-PASSABLE PHOTOCELL FIELD SELECTABLE



Photocell
On/Off Switch



Wattage and
CCT Selectable Switch



Specifications



Certifications



Item	Finish	Material/Lens Material	Lumen Range	Wattage Selectable	CCT Selectable	(A) Width	(B) Height	(C) Extends
65-985	Black	Die-Cast Aluminum/PC	1410-2839	10W/15W/20W	3000K/4000K/5000K	6.86"	10.96"	4.53"
65-986	Bronze	Die-Cast Aluminum/PC	1410-2839	10W/15W/20W	3000K/4000K/5000K	6.86"	10.96"	4.53"
65-987	White	Die-Cast Aluminum/PC	1410-2839	10W/15W/20W	3000K/4000K/5000K	6.86"	10.96"	4.53"

*Consult Satco or visit www.satco.com for an up-to-date dimmer compatibility list. See warranty for details.

SMALL WALL PACK CCT SELECTABLE

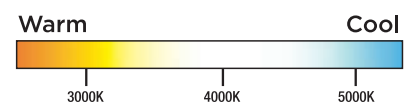


Features:

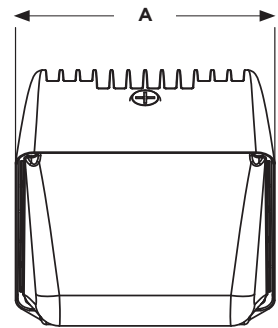
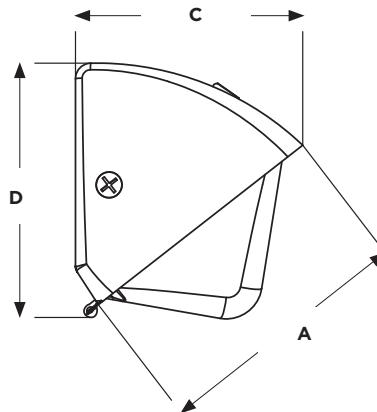
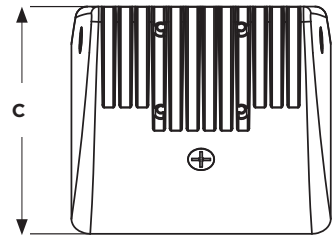
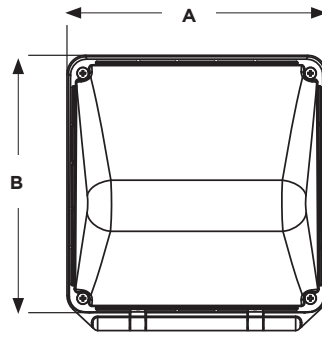
- 29W and 40W Options
- CCT Selectable - 3000K/4000K/5000K
- Die-Cast Aluminum Body
- UV Stabilized Powder Coated
- Bronze finish
- Integrated, By-Passable Photocell
- 80° Beam Angle
- Operating temperature: -40°C to 40°C (-40°F to 104°F)
- Impact Resistant IK10 Lens
- IP65
- 5 Year Warranty



ColorQuick[®]
Selectable Color Technology



SMALL WALL PACK CCT SELECTABLE



Specifications



Certifications

Item	Description	Watts	Lumens	CCT Selectable	(A) Width	(B) Height	(C) Ext.	(D) Length
†65-655	Small Wall Pack - Bronze	29W	3650-3770	3000K/4000K/5000K	8.5"	8.44"	7.45"	8.375
65-656	Small Wall Pack - Bronze	40W	4200-5000	3000K/4000K/5000K	8.5"	8.44"	7.45"	8.375

*Consult Satco or visit www.satco.com for an up-to-date dimmer compatibility list. See warranty for details.

Product sheet NU1628

SMALL ROUND WALL PACK WITH PHOTOCELL - CCT SELECTABLE

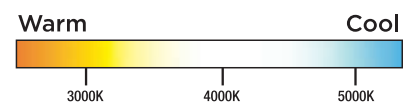


Features:

- CCT Selectable - 3000K/4000K/5000K
- Black, Bronze or White finish
- Die cast aluminum body
- Rugged, impact-resistant polycarbonate frosted lens
- Built-in by-passable photocell
- 100° Beam angle
- Operating temperature -30°C to 45°C (-22°F to 113°F)
- IP65
- 5 Year warranty



ColorQuick[®]
Selectable Color Technology



SMALL ROUND WALL PACK WITH PHOTOCELL - CCT SELECTABLE



White

1/2" NPT Knockouts on either side, and one on the back



Bronze

By-Passable Photocell

Impact Resistant Polycarbonate Lens

CCT Switch Back Panel

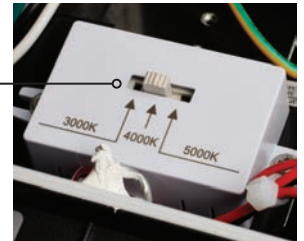
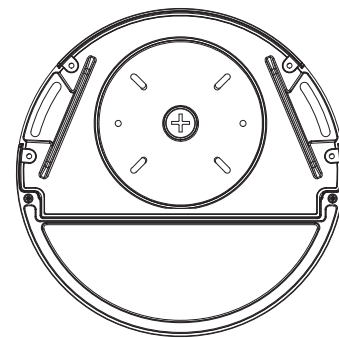
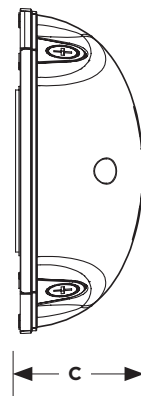
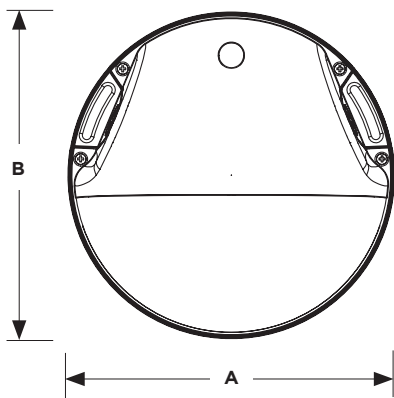


Image shows location of selectable switch behind backplate enclosure



Back

Specifications



Certifications



Item	Description	Watts	CCT	Lumens	(A) Width	(B) Height	(C) Ext.
65-750	Small Round Wall Pack w/Photocell - Black	20W	3000/4000/5000K	2600-2800	8.7"	8.7"	3.4"
65-751	Small Round Wall Pack w/Photocell - Bronze	20W	3000/4000/5000K	2600-2800	8.7"	8.7"	3.4"
65-752	Small Round Wall Pack w/Photocell - White	20W	3000/4000/5000K	2600-2800	8.7"	8.7"	3.4"

Consult Satco or visit www.satco.com for an up-to-date dimmer compatibility list. See warranty for details.

Product sheet NU1652

SMALL RECTANGLE WALL PACK WITH PHOTOCELL - CCT SELECTABLE

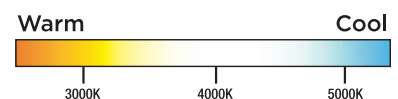


Features:

- CCT Selectable - 3000K/4000K/5000K
- Integrated photocell (by-passable)
- Compact Design with Multiple 1/2" NPT Knockouts
- Black, Bronze or white finishes
- 0-10V Dimmable
- IP65
- 5 year warranty



ColorQuick[®]
Selectable Color Technology



SMALL RECTANGLE WALL PACK WITH PHOTOCELL - CCT SELECTABLE

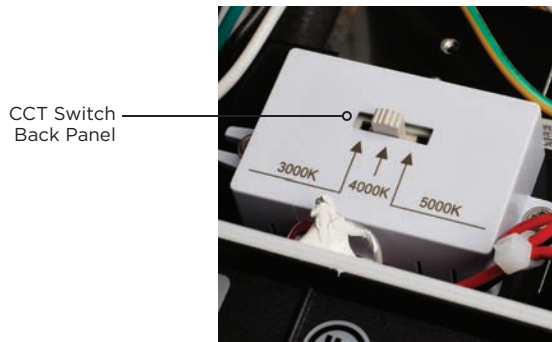
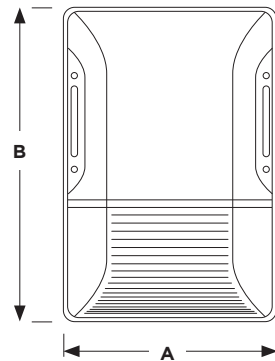
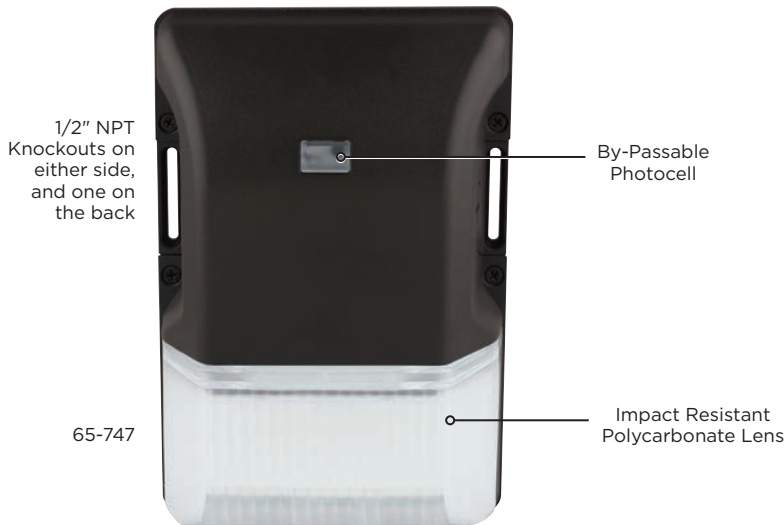
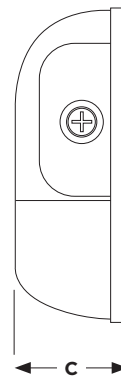


Illustration shows location of selectable switch behind backplate enclosure



Item	Description	Watts	CCT	Lumens	(A) Width	(B) Height	(C) Ext.
65-747	Wall Pack - Black	20W	3000/4000/5000K	2608-2920	5.81"	8.59"	3.09"
65-748	Wall Pack - Bronze	20W	3000/4000/5000K	2608-2920	5.81"	8.59"	3.09"
65-749	Wall Pack - White	20W	3000/4000/5000K	2608-2920	5.81"	8.59"	3.09"

*Consult Satco or visit www.satco.com for an up-to-date dimmer compatibility list. See warranty for details.

Product sheet NU1737

Specifications

- 120-277V**
- 1-10V DIMMING**
- WET LOCATION**
- IP 65**
- 2.5kV SURGE PROTECTION**
- 50,000 HOURS**

Certifications

- UL CERTIFIED**
- DLC LISTED PREMIUM**
- FC**
- RoHS COMPLIANT**

WIDE BEAM ANGLE CANOPY WITH SENSOR PORT - FIELD SELECTABLE

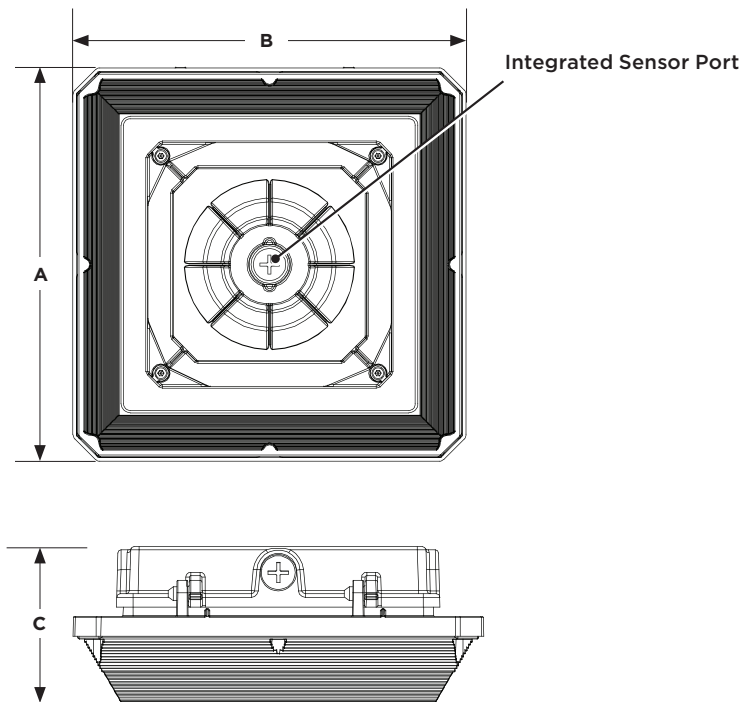


Features:

- Wide Beam Angle for Broad Light Coverage
- 0-10V Dimming
- 3 CCT Selectable
- 3 Wattage Selectable
- Integrated Sensor Port
- IK10 Vandal Resistant Lens
- 50,000 Functional Life
- EM Battery Backup Capable



WIDE BEAM ANGLE CANOPY WITH SENSOR PORT - FIELD SELECTABLE



ACCESSORIES



EM Wide Beam
Ang Canopy
(65-633)



PIR Sensor/6 Meter
(86-217)



Remote for 86-218
(86-219)



PIR Sensor/12 Meter
(86-220)

Specifications



Certifications



Item	Description	Watts	CCT	Lumens	Surge Protection Rating	(A) Length	(B) Width	(C) Height
65-634	White	20W/30W/45W	3000K/4000K/5000K	2663-6288	2.5kV	9.57"	9.57"	3.62"
65-635	White	60W/75W/90W	3000K/4000K/5000K	7920-12557	6kV	9.57"	9.57"	3.62"
65-636	Bronze	20W/30W/45W	3000K/4000K/5000K	2663-6288	2.5kV	9.57"	9.57"	3.62"
65-637	Bronze	60W/75W/90W	3000K/4000K/5000K	7920-12557	6kV	9.57"	9.57"	3.62"

Accessories

Item	Description
65-633	EM Battery Backup Driver
86-217	Pir Sensor/6 Meter
86-218	Microwave Sensor
86-220	PIR Sensor/12 Meter
86-219	Remote for add on Sensors

Product sheet NU1786

ROUND CANOPY WITH SENSOR PORT - CCT SELECTABLE

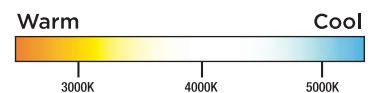


Features:

- CCT Selectable - 3000K/4000K/5000K
- Die-Cast Aluminum Body
- 25W, 40W, 55W, 75W and 100W options
- White or Bronze finish
- UV Stabilized Powder Coated Finish
- Ceiling or 3/4" Pendant Mounting
- Beam angle 150°
- Operating Temperature:
-40°C to 50°C (-40°F to 122°F)
- IP65
- 5 Year Warranty



ColorQuick[®]
Selectable Color Technology



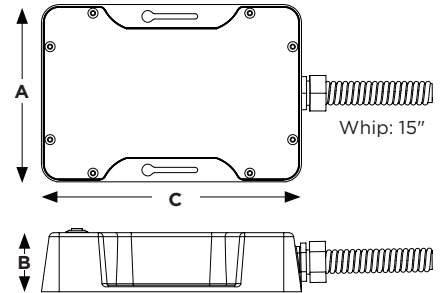
ROUND CANOPY WITH SENSOR PORT - CCT SELECTABLE



Round Canopy, White



65-638, 65-639
8W/15W
Emergency Backup



OPTIONAL ACCESSORIES (SOLD SEPARATELY)

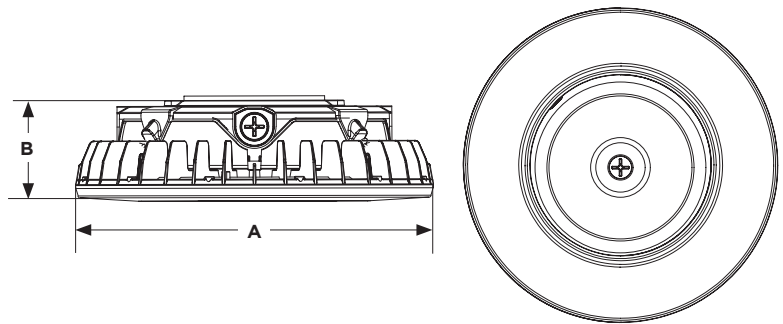


PIR Sensor
(86-217 and 86-220)

Remote for 86/218
(86-219)

Microwave Sensor
(86-218)

Emergency Function				
Charging Time	Emergency Time	(A) Width	(B) Height	(C) Depth
>24 Hours	>90 Minutes	6"	2"	8.5"



Specifications



Certifications



Item	Description	Watts	Lumens	CCT Selectable	Surge Protection Rating	(A) Diameter	(B) Height
65-623R1	25W Canopy Light - White	25W	3718-3975	3000K/4000K/5000K	2.5kV	10.04"	3.15"
65-624R1	25W Canopy Light - Bronze	25W	3718-3975	3000K/4000K/5000K	2.5kV	10.04"	3.15"
65-625R1	40W Canopy Light - White	40W	5785-6215	3000K/4000K/5000K	4kV	10.04"	3.15"
65-626R1	40W Canopy Light - Bronze	40W	5785-6215	3000K/4000K/5000K	4kV	10.04"	3.15"
65-627R1	55W Canopy Light - White	55W	7733-8284	3000K/4000K/5000K	4kV	10.04"	3.15"
65-628R1	55W Canopy Light - Bronze	55W	7733-8284	3000K/4000K/5000K	4kV	10.04"	3.15"
65-629R1	75W Canopy Light - White	75W	10887-11573	3000K/4000K/5000K	6kV	11.02"	3.15"
65-630R1	75W Canopy Light - Bronze	75W	10887-11573	3000K/4000K/5000K	6kV	11.02"	3.15"
65-631R1	100W Canopy Light - White	100W	14298-15322	3000K/4000K/5000K	6kV	11.02"	3.15"
65-632R1	100W Canopy Light - Bronze	100W	14298-15322	3000K/4000K/5000K	6kV	11.02"	3.15"

Accessories

65-638	Add-On Emergency Battery Backup	25W/40W/55W
65-639	Add-On Emergency Battery Backup	75W/100W
86-217	PIR Sensor/6 meter	
86-220	PIR Sensor/12 meter	
86-218	Add-On Microwave Sensor	
86-219	Remote for Sensors	

*Consult Satco or visit www.satco.com for an up-to-date dimmer compatibility list. See warranty for details.

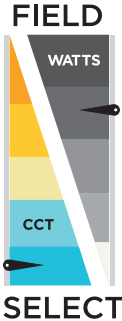
Product sheet NUI784

SQUARE CANOPY FIXTURE FIELD SELECTABLE

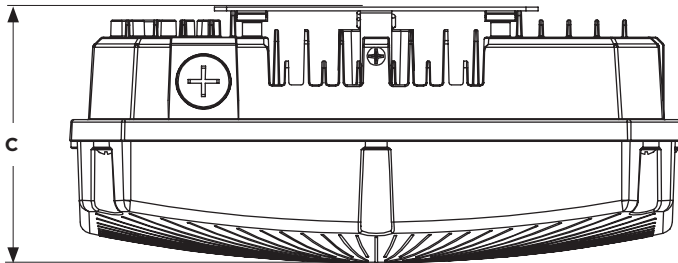
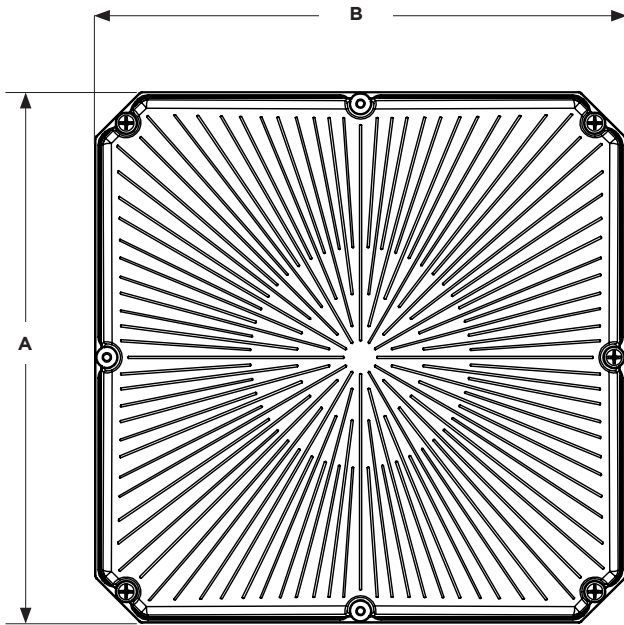


Features:

- Field Selectable (CCT and Wattage)
- 8.5" & 10" Sizes
- Ceiling or Pendant Mounting
- Hinged Universal Mounting Bracket
- Integrated Surge Protection
- IK08 Vandal Resistant Lens



SQUARE CANOPY FIXTURE FIELD SELECTABLE



65-150
Add-on Emergency
Battery Backup



86-235
Programming Remote

Sensor Preset / Default Settings:
Sensitivity Setting: 100%, Hold Time: 5 min,
Stand-by Period: 30min, Stand-by Dimming
Level: 30%, Daylight: Threshold: Disabled

Item	Description	Watts	CCT	Lumen Range	Surge Protection Rating
65-980	8.5" Square Canopy - Bronze	25W/30W/40W	3000K/4000K/5000K	3125-5400	6kV
65-981	10" Square Canopy - Bronze	45W/60W/70W	3000K/4000K/5000K	5625-9450	4kV
65-982	8.5" Square Canopy - Bronze	25W/30W/40W	3000K/4000K/5000K	3125-5400	4kV
65-983	10" Square Canopy - Bronze	45W/60W/70W	3000K/4000K/5000K	5625-9450	4kV
Accessories					
65-150 Add-on Emergency Battery Backup					
86-235 Programming Remote					
Item	(A) Length	(B) Width	(C) Height		
65-980	8.5"	8.5"	3.27"		
65-981	10"	10"	4.19"		
65-982	8.5"	8.5"	3.27"		
65-983	10"	10"	4.19"		

Specifications



Certifications



Consult Satco or visit www.satco.com for an up-to-date dimmer compatibility list. See warranty for details.

Product sheet NU1528

100W AND 150W LED AREA LIGHTS



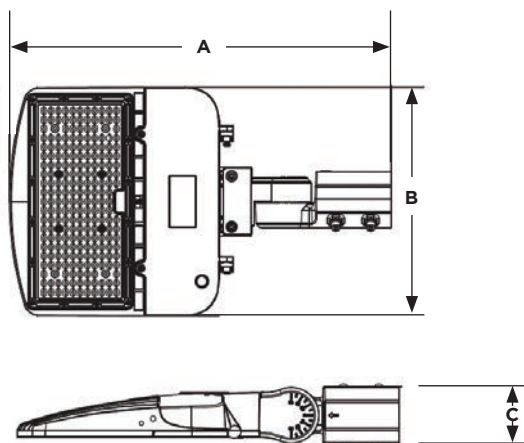
Features:

- Bronze Powder Coated Finish for All Weather Durability
- 0-10V Dimming*
- Built-In 4KV Surge Protection
- IP65
- Rated 50,000 Hours Life
- 5 Year warranty



100W AND 150W LED AREA LIGHTS

Dimensional



Photocells, Sensors & Surge Suppression Accessories:

- 86-221: Photocell For 120V-277V Versions
- 86-223: Photocell For 277V-480V Versions
- 86-227: PIR Sensor 120-277V
- 86-228: MW Sensor 120V-277V
- 86-226: 12-24V PIR Sensor 277V-480V
- 86-224: 10KV Surge Suppressor 120V-277V
- 86-225: 10KV Surge Suppressor 277V-480V

Item	Description	Watts	Volts	CCT	Lumens	(A) Length	(B) Width	(C) Height
Type III								
65-840	100W LED Area Light Type III	100W	120-277V	4000K	13793	20.71"	12.40"	3.11"
65-841	100W LED Area Light Type III	100W	120-277V	5000K	13793	20.71"	12.40"	3.11"
65-842	150W LED Area Light Type III	150W	120-277V	4000K	19507	20.71"	12.40"	3.11"
65-843	150W LED Area Light Type III	150W	120-277V	5000K	19736	20.71"	12.40"	3.11"
65-860	100W LED Area Light Type III	100W	277-480V	4000K	13793	20.71"	12.40"	3.11"
65-861	100W LED Area Light Type III	100W	277-480V	5000K	13793	20.71"	12.40"	3.11"
65-862	150W LED Area Light Type III	150W	277-480V	4000K	19507	20.71"	12.40"	3.11"
65-863	150W LED Area Light Type III	150W	277-480V	5000K	19736	20.71"	12.40"	3.11"
Type IV								
65-840-4	100W LED Area Light Type IV	100	120-277V	4000K	13793	20.71"	12.40"	3.11"
65-841-4	100W LED Area Light Type IV	100	120-277V	5000K	13793	20.71"	12.40"	3.11"
65-842-4	150W LED Area Light Type IV	150	120-277V	4000K	19507	20.71"	12.40"	3.11"
65-843-4	150W LED Area Light Type IV	150	120-277V	5000K	19736	20.71"	12.40"	3.11"
65-860-4	100W LED Area Light Type IV	100	277-480V	4000K	13793	20.71"	12.40"	3.11"
65-861-4	100W LED Area Light Type IV	100	277-480V	5000K	13793	20.71"	12.40"	3.11"
65-862-4	150W LED Area Light Type IV	150	277-480V	4000K	19507	20.71"	12.40"	3.11"
65-863-4	150W LED Area Light Type IV	150	277-480V	5000K	19736	20.71"	12.40"	3.11"
Type V								
65-840-5	100W LED Area Light Type V	100	120-277V	5000K	13793	20.71"	12.40"	3.11"
65-841-5	100W LED Area Light Type V	100	120-277V	4000K	19507	20.71"	12.40"	3.11"
65-842-5	150W LED Area Light Type V	150	120-277V	5000K	19736	20.71"	12.40"	3.11"
65-843-5	150W LED Area Light Type V	150	120-277V	5000K	19736	20.71"	12.40"	3.11"
65-860-5	100W LED Area Light Type V	100	277-480V	4000K	13793	20.71"	12.40"	3.11"
65-861-5	100W LED Area Light Type V	100	277-480V	5000K	13793	20.71"	12.40"	3.11"
65-862-5	150W LED Area Light Type V	150	277-480V	4000K	19507	20.71"	12.40"	3.11"
65-863-5	150W LED Area Light Type V	150	277-480V	5000K	19736	20.71"	12.40"	3.11"

Specifications



Certifications



*Consult Satco or visit www.satco.com for an up-to-date dimmer compatibility list. See warranty for details.

200W LED AREA LIGHTS



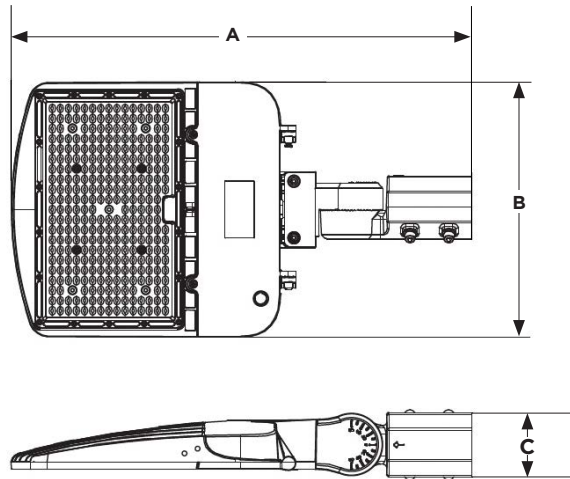
Features:

- Bronze Powder Coated Finish for All Weather Durability
- 0-10V Dimming*
- Built-In 4KV Surge Protection
- IP65 Rated 50,000 Hours Life
- 5 Year warranty



200W LED AREA LIGHTS

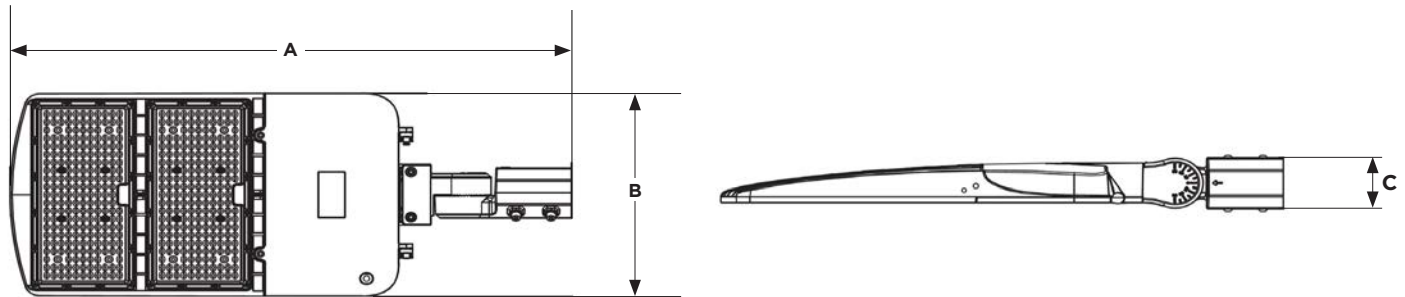
Dimensional 120V-277V



Photocells, Sensors & Surge Suppression Accessories:

- 86-221: Photocell For 120V-277V Versions
- 86-223: Photocell For 277V-480V Versions
- 86-227: PIR Sensor 120-277V
- 86-228: MW Sensor 120V-277V
- 86-226: 12-24V PIR Sensor 277V-480V
- 86-224: 10KV Surge Suppressor 120V-277V
- 86-225: 10KV Surge Suppressor 277V-480V

Dimensional 277V-480V



Item	Description	Watts	Volts	CCT	Lumens	(A) Length	(B) Width	(C) Height
Type III								
65-844	200W LED Area Light Type III	200W	120-277V	4000K	26051	22.40"	14.40"	3.11"
65-845	200W LED Area Light Type III	200W	120-277V	5000K	26536	22.40"	14.40"	3.11"
65-864	200W LED Area Light Type III	200W	277-480V	4000K	26051	30.28"	12.39"	3.11"
65-865	200W LED Area Light Type III	200W	277-480V	5000K	26536	30.28"	12.39"	3.11"
Type IV								
65-844-4	200W LED Area Light Type IV	200W	120-277V	4000K	26051	22.40"	14.40"	3.11"
65-845-4	200W LED Area Light Type IV	200W	120-277V	5000K	26536	22.40"	14.40"	3.11"
65-864-4	200W LED Area Light Type IV	200W	277-480V	4000K	26051	30.28"	12.39"	3.11"
65-865-4	200W LED Area Light Type IV	200W	277-480V	5000K	26536	30.28"	12.39"	3.11"
Type V								
65-844-5	200W LED Area Light Type V	200W	120-277V	4000K	26051	22.40"	14.40"	3.11"
65-845-5	200W LED Area Light Type V	200W	120-277V	5000K	26536	22.40"	4.40"	3.11"
65-864-5	200W LED Area Light Type V	200W	277-480V	4000K	26051	30.28"	12.39"	3.11"
65-865-5	200W LED Area Light Type V	200W	277-480V	5000K	26536	30.28"	12.39"	3.11"

Specifications



Certifications



*Consult Satco or visit www.satco.com for an up-to-date dimmer compatibility list. See warranty for details.

Product sheet NU1712

240W AND 300W LED AREA LIGHTS



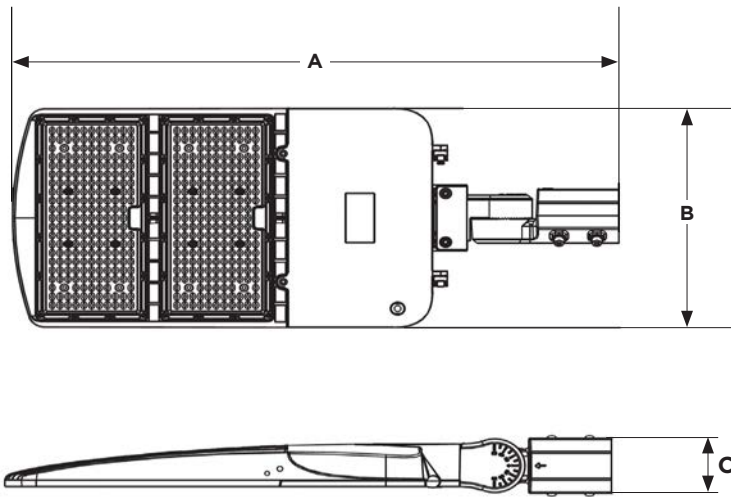
Features:

- Bronze Powder Coated Finish for All Weather Durability
- 0-10V Dimming*
- Built-In 4KV Surge Protection
- IP65
- 50,000 Hours Life
- 5 Year warranty



240W AND 300W LED AREA LIGHTS

Dimensional



Photocells, Sensors & Surge Suppression Accessories:

- 86-221: Photocell For 120V-277V Versions
- 86-223: Photocell For 277V-480V Versions
- 86-227: PIR Sensor 120-277V
- 86-228: MW Sensor 120V-277V
- 86-226: 12-24V PIR Sensor 277V-480V
- 86-224: 10KV Surge Suppressor 120V-277V
- 86-225: 10KV Surge Suppressor 277V-480V

Item	Description	Watts	Volts	CCT	Lumens	(A) Length	(B) Width	(C) Height
Type III								
65-846	240W LED Area Light Type III	240W	120-277V	4000K	31481	30.28"	12.39"	3.11"
65-847	240W LED Area Light Type III	240W	120-277V	5000K	32585	30.28"	12.39"	3.11"
65-848	300W LED Area Light Type III	300W	120-277V	4000K	39815	30.28"	12.39"	3.11"
65-849	300W LED Area Light Type III	300W	120-277V	5000K	38988	30.28"	12.39"	3.11"
65-866	240W LED Area Light Type III	240W	277-480V	4000K	31481	30.28"	12.39"	3.11"
65-867	240W LED Area Light Type III	240W	277-480V	5000K	32585	30.28"	12.39"	3.11"
65-868	300W LED Area Light Type III	300W	277-480V	4000K	39815	30.28"	12.39"	3.11"
65-869	300W LED Area Light Type III	300W	277-480V	5000K	38988	30.28"	12.39"	3.11"
Type IV								
65-846-4	240W LED Area Light Type IV	240W	120-277V	4000K	31481	30.28"	12.39"	3.11"
65-847-4	240W LED Area Light Type IV	240W	120-277V	5000K	32585	30.28"	12.39"	3.11"
65-848-4	300W LED Area Light Type IV	300W	120-277V	4000K	39815	30.28"	12.39"	3.11"
65-849-4	300W LED Area Light Type IV	300W	120-277V	5000K	38988	30.28"	12.39"	3.11"
65-866-4	240W LED Area Light Type IV	240W	277-480V	4000K	31481	30.28"	12.39"	3.11"
65-867-4	240W LED Area Light Type IV	240W	277-480V	5000K	32585	30.28"	12.39"	3.11"
65-868-4	300W LED Area Light Type IV	300W	277-480V	4000K	39815	30.28"	12.39"	3.11"
65-869-4	300W LED Area Light Type IV	300W	277-480V	5000K	38988	30.28"	12.39"	3.11"
Type V								
65-846-5	240W LED Area Light Type V	240W	120-277V	4000K	31481	30.28"	12.39"	3.11"
65-847-5	240W LED Area Light Type V	240W	120-277V	5000K	32585	30.28"	12.39"	3.11"
65-848-5	300W LED Area Light Type V	300W	120-277V	4000K	39815	30.28"	12.39"	3.11"
65-849-5	300W LED Area Light Type V	300W	120-277V	5000K	38988	30.28"	12.39"	3.11"
65-866-5	240W LED Area Light Type V	240W	277-480V	4000K	31481	30.28"	12.39"	3.11"
65-867-5	240W LED Area Light Type V	240W	277-480V	5000K	32585	30.28"	12.39"	3.11"
65-868-5	300W LED Area Light Type V	300W	277-480V	4000K	39815	30.28"	12.39"	3.11"
65-869-5	300W LED Area Light Type V	300W	277-480V	5000K	38988	30.28"	12.39"	3.11"

Specifications



Certifications



*Consult Satco or visit www.satco.com for an up-to-date dimmer compatibility list. See warranty for details.

Product sheet NU1712

SPECIAL FEATURES



Lumileds 2835R Chips & Advanced Optics for Superior Performance



Advancedly engineered for maximum thermal dissipation to ensure long lasting life and performance.

High performance meets rugged, all weather tough, design. Using high quality build materials such as Lumileds chips and Sosen drivers, these fixtures are built to last. Advanced thermal consideration and heat dissipation is at the core of the design. Engineered with integrated respirators to balance air pressure, integrated 4KV surge protection, and seismically 3G vibration tested, there is not much these fixtures cannot handle.

Offering a full suite of mounting accessories including innovative Ext.ed slip-fitter and fixed arm mounts with integrated junction boxes; photocells, PIR & MW sensors, additional add on surge suppression and cutoff shields, these fixtures will meet the needs of any type III application.

SPECIAL FEATURES



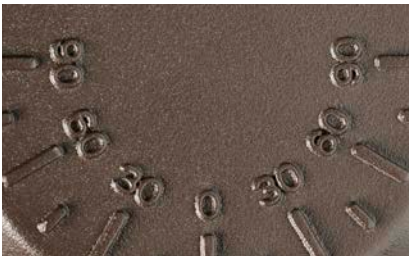
INTEGRATED RESPIRATOR

Integrated respirators help to balance air pressure and prevent humidity build-up.



FINNED, HEAT SINK DESIGN

Finned, Heat Sink Design allows for better performance and heat dissipations.



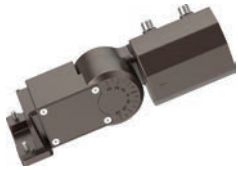
SLIP-FITTER ADJUSTABLE MOUNTING

Fixtures come standard with a 2 3/8" slip-fitter adjustable mount with 90 degree up or down articulation.

HEAVY DUTY HARDWARE & DIE-CASTING, A RUGGED BUILD TO WITHSTAND HARSH OUTDOOR ENVIRONMENTS



MOUNTING OPTIONS & ACCESSORIES



Ext.ed Slip-Fitter Mount
with Sensor Knockouts
65-875



100W & 150W



Universal Mount with 2 3/8"
Slip-Fitter Mount or Direct Mount
for Square & round Poles
65-870



200W

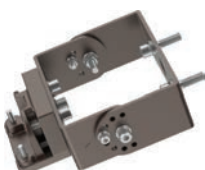
*200W 277-480V have the same footprint
as the 240W & 300W versions to
accommodate the larger drivers.



Direct Mount for
Square & Round Poles.
65-871



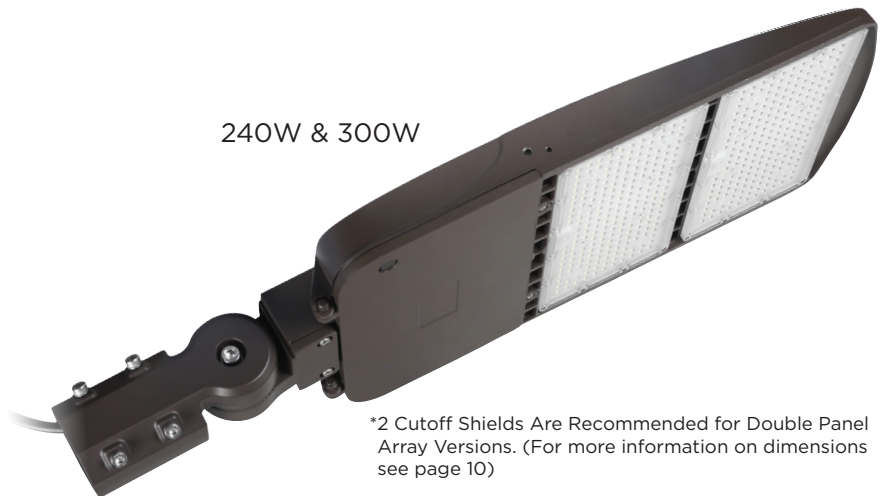
Area Light Wall Mount Bracket.
65-879



Trunnion
65-872



Yoke
65-873 & 65-874



240W & 300W

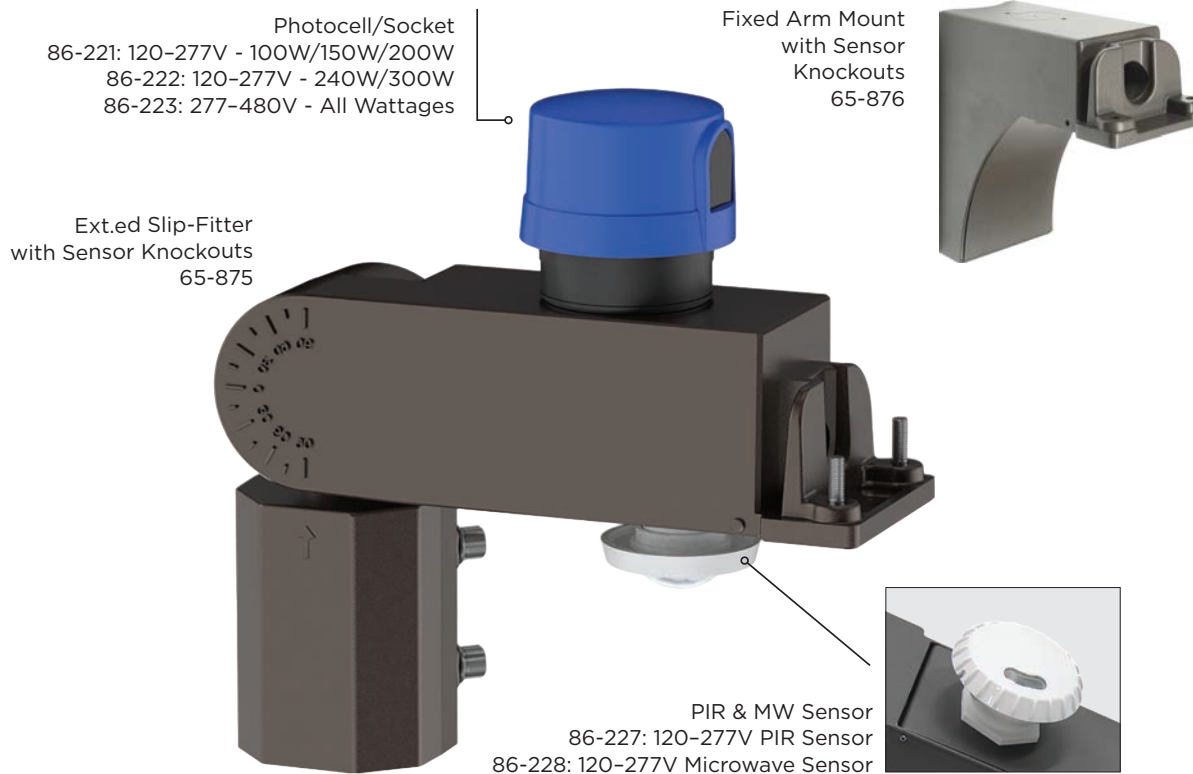
*2 Cutoff Shields Are Recommended for Double Panel
Array Versions. (For more information on dimensions
see page 10)



*Cutoff Shield
65-877 & 65-878

MOUNTING OPTIONS & ACCESSORIES

Innovative Mounting Accessories with Knockouts & Integrated Junction Boxes For Greater Ease of Installation



Item	Description	Feature
65-870	Universal Mount	Direct & Slip-Fitter Mount Bronze
65-871	Direct Mount	Square/Round Pole Mount Bronze
65-872	Trunnion Mount	Bronze Finish
65-873	Yoke Mount	100W/150W/200W Bronze
65-874	Yoke Mount	240W/300W Bronze
65-875	Ext Slip-Fitter	With Sensor Knockouts Bronze
65-876	Fixed Arm Mount	With Sensor Knockouts Bronze
65-877	Cutoff Shield	Bronze - 100W/150W/240W/300W & 200W 277-480V
65-878	Cutoff Shield	Bronze - 200W/100-277V & 100-347V
86-221	Photocell/Socket	120-277V For 100W/200W
86-222	Photocell/Socket	120-277V For 240W/300W
86-223	Photocell/Socket	277-480V
86-224	Surge Suppressor	10kV-120-277V
86-225	Surge Suppressor	10kV-277-480V
86-226	12-24V PIR Sensor	277-480V
86-227	PIR Sensor	100-277V
86-228	Microwave Sensor	100-277V

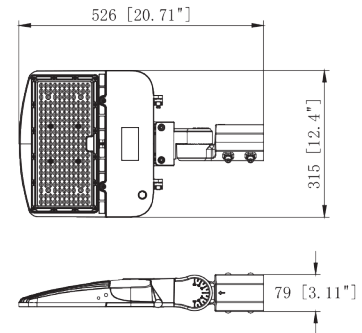
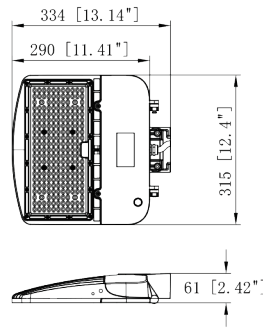
Product sheet NU1712

PRODUCT DIMENSIONS WITH ALTERNATE MOUNTING OPTIONS

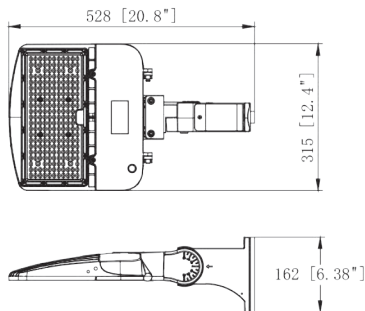
100W & 150W

A full assortment of mounting accessories to meet any applications needs.

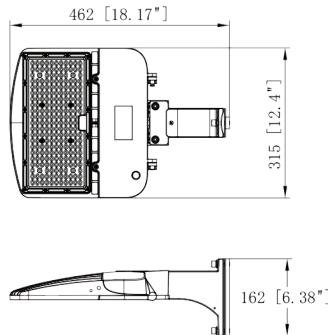
2 3/8" Slip-Fitter (Included)



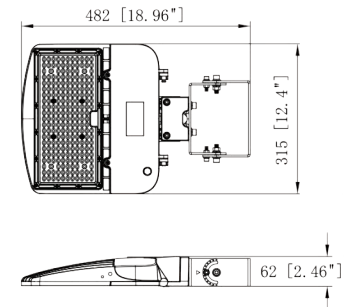
65/870
Universal Mount



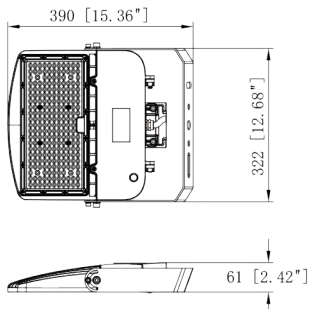
65/871
Direct Mount



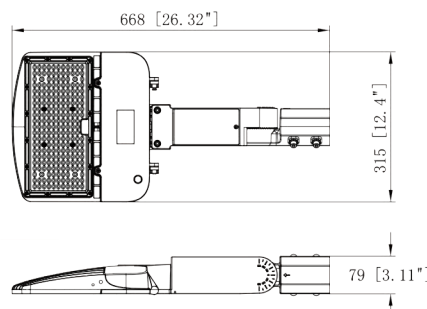
65/872
Trunnion Mount



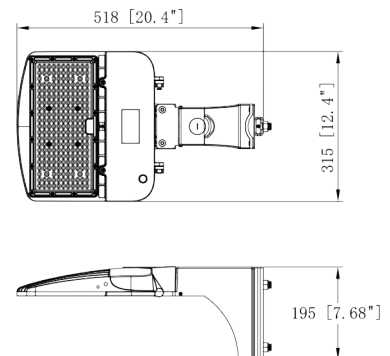
65/873
Yoke Mount



65/875
Ext.ed 2 3/8" Slip-Fitter with knockouts and integrated junction box.



65/876
Fixed Arm Mount with Knockouts and integrated junction box.



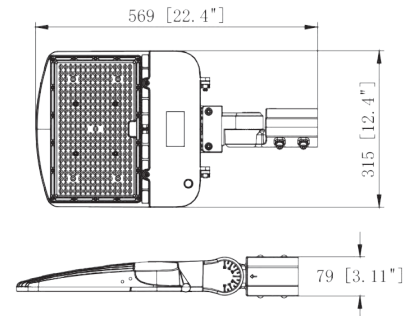
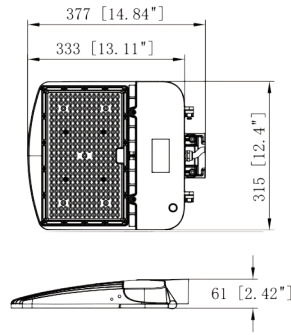
PRODUCT DIMENSIONS WITH ALTERNATE MOUNTING OPTIONS

200W

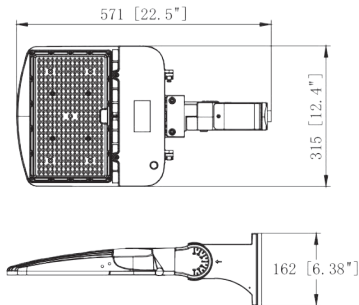
Innovative mounting accessories with Knockouts & Integrated Junction Boxes for Greater Ease of Installation.

*200W 277-480V have the same footprint as the 240W & 300W Versions to accommodate the larger drivers.

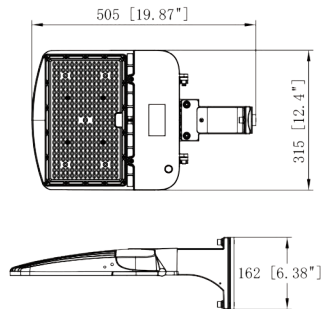
2 3/8" Slip-Fitter (Included)



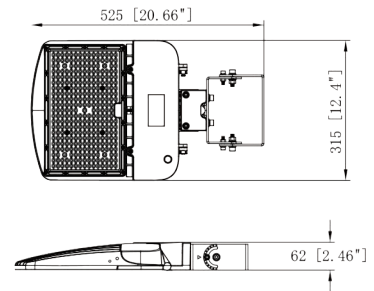
65/870
Universal Mount



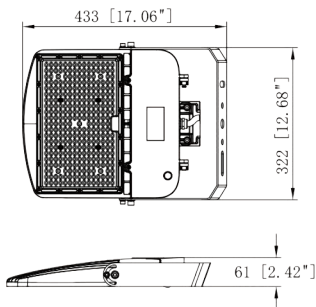
65/871
Direct Mount



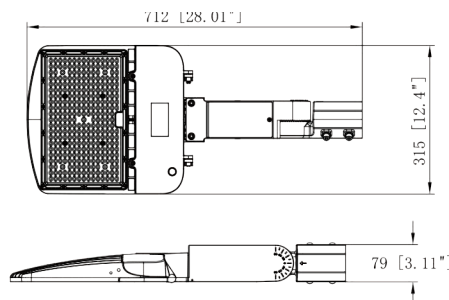
65/872
Trunnion Mount



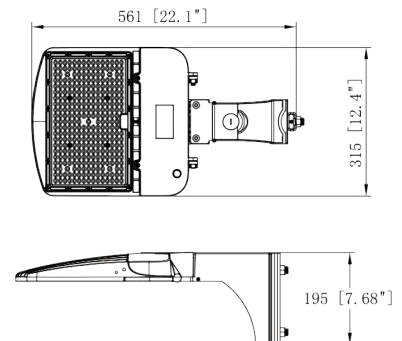
65/873
Yoke Mount



65/875
Ext.ed 2 3/8" Slip-Fitter with knockouts and integrated junction box.



65/876
Fixed Arm Mount with Knockouts and integrated junction box.

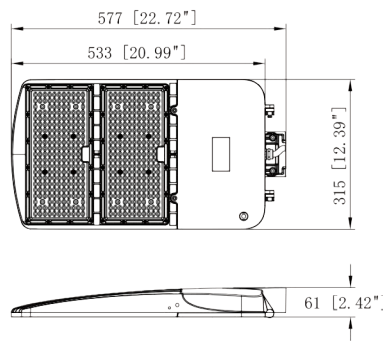


PRODUCT DIMENSIONS WITH ALTERNATE MOUNTING OPTIONS

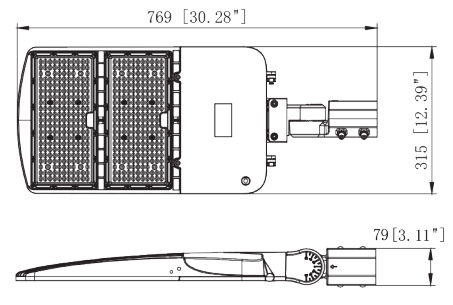
240W & 300W

(Also 200W 277V-480V)

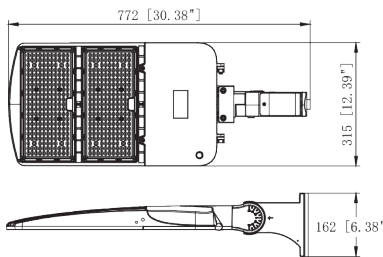
Cutoff shields are also available to eliminate light trespass.



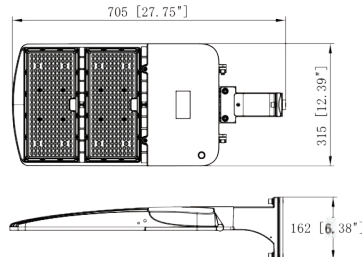
2 3/8" Slip-Fitter (Included)



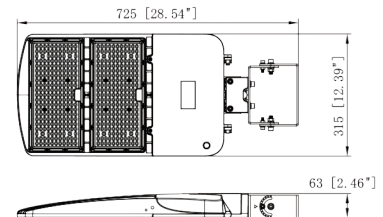
65-870
Universal Mount



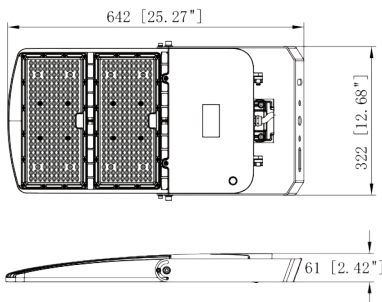
65-871
Direct Mount



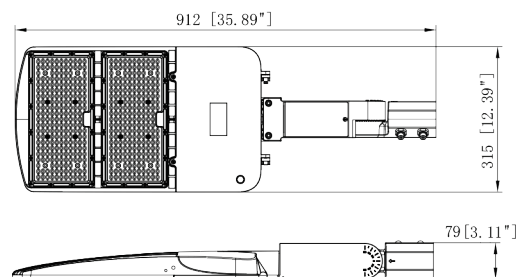
65-872
Trunnion Mount



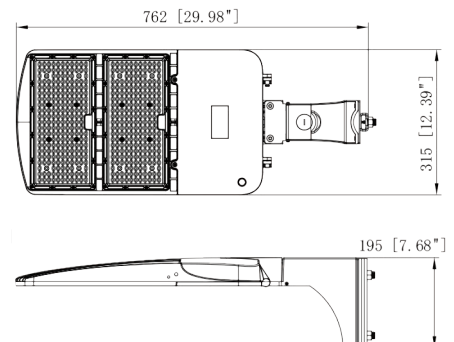
65-874
Yoke Mount



65-875
Ext.ed 2 3/8" Slip-Fitter with
Knockouts And Integrated Junction Box.



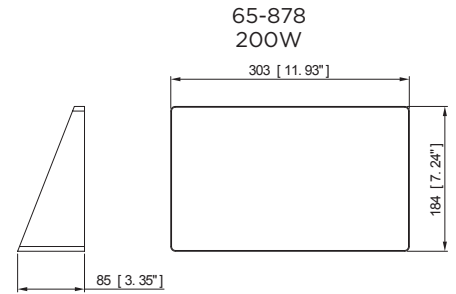
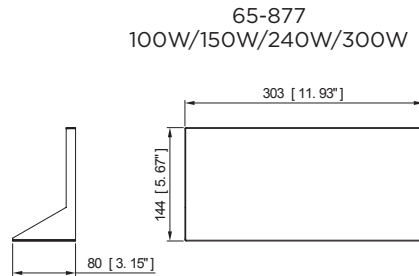
65-876
Fixed Arm Mount with Knockouts
And Integrated Junction Box.



PRODUCT DIMENSIONS WITH ALTERNATE MOUNTING OPTIONS

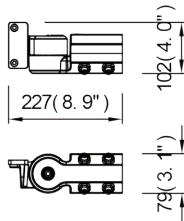
CUT-OFF SHIELD

- 65-877 for 100W/150W/240W/300W and 200W 277-480V versions.
- 65-878 for use with 200W 120-277V and 120-347V versions.

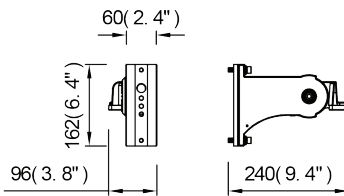


MOUNTING ACCESSORIES

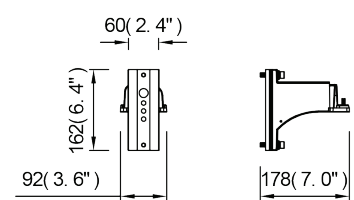
Included 2 3/8" Slip-Fitter



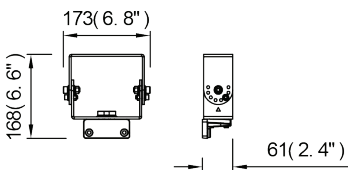
65-870
Universal Mount



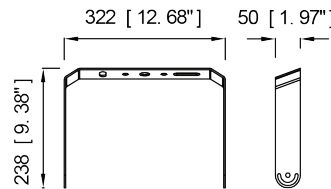
65-871
Direct Mount



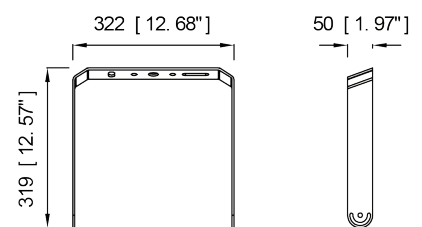
65-872
Trunnion Mount



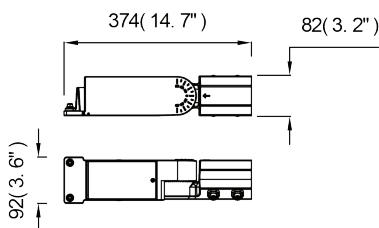
65-873 Yoke Mount
for use with 100W/150W/200W



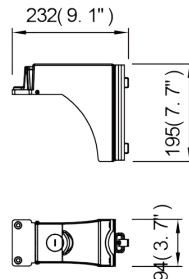
65-874 Yoke Mount
for use with 240W/300W



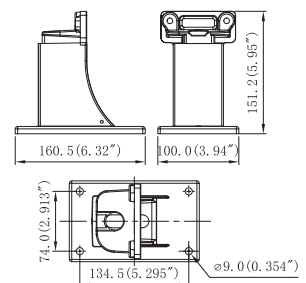
65-875
Ext.ed 2 3/8" Slip-Fitter with
Knockouts And Integrated Junction Box.



65-876
Fixed Arm Mount with Knockouts
And Integrated Junction Box.



65-879
Shoebbox Lamp
Wall Mount Bracket



ADJUSTABLE AREA LIGHT POST TOP LED - CCT SELETABLE

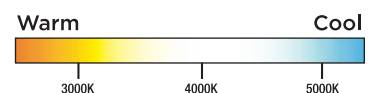


Features:

- Adjustable 0° - 90°
- CCT Selectable 3000K/4000K/5000K
- 35, 55, 75, 100 Wattages
- IK08 Impact Rated
- IP65 Rated
- Bronze Powder Coated Finish
- 5 Year Warranty



ColorQuick[®]
Selectable Color Technology



ADJUSTABLE AREA LIGHT POST TOP LED - CCT SELETABLE



*Dark Sky Compliant when angled at 0° horizontal plane (35W & 55W)

Item	Description	Watts	CCT Selectable	Lumens	Surge Protection Rating
*65-890	LED 35W Post Top	35W	3000K/4000K/5000K	4060-4640	2kV
*65-891	LED 55W Post Top	55W	3000K/4000K/5000K	5600-6400	2kV
65-892	LED 75W Post Top	75W	3000K/4000K/5000K	8400-9600	6kV
65-893	LED 100W Post Top	100W	3000K/4000K/5000K	12000-13500	6kV

Optional Accessories

- 86-221 Photocell NEMA Socket; 120-277V
- 86-223 Photocell NEMA Socket; 277-480V

*Dark Sky Compliant when angled at 0° horizontal plane and set to 3000K

Product Sheet NU1767

Dimensions

Item	(A) Height	(B) Width	Weight (Lbs)
65-890	20.59"	17.91"	18.5
65-891	20.59"	17.91"	18.5
65-892	20.59"	17.91"	18.5
65-893	20.59"	17.91"	18.5

Specifications

- 120-347V
- 1-10V DIMMING
- IP 65
- IK 08
- WET LOCATION
- 50,000 HOURS
- 5 YEAR WARRANTY

Certifications

- UL CERTIFIED
- DLC LISTED PREMIUM
- FC
- RoHS COMPLIANT

AREA LIGHT - CCT SELETABLE

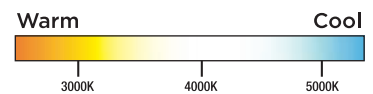


Features:

- CCT Selectable - 3000K/4000K/5000K
- 29, 40W and 60W Options
- NEMA Type 5 Lens Distribution
- Photo Control - On at Dusk/Off at Dawn
- Die-Cast Aluminum Body
- UV Stabilized Powder Coated Finish
- Gray or Bronze finish
- Operating Temperature:
-40°C to 50°C (-40°F to 122°F)
- 5 Year Warranty



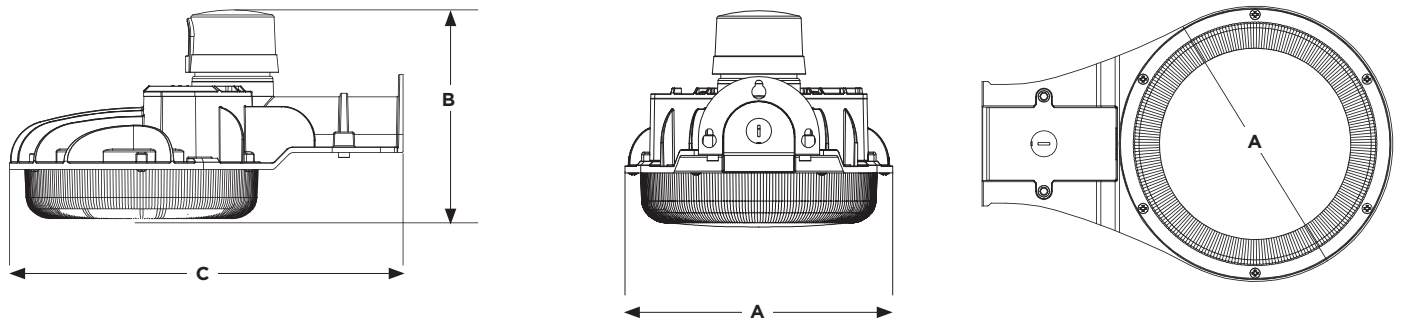
ColorQuick[®]
Selectable Color Technology



AREA LIGHT - CCT SELETABLE



Accessories



Specifications



Certifications



Item	Description	Watts	CCT Selectable	Lumens	Surge Protection Rating	(A) Width	(B) Height	(C) Ext.
65-681	29W Area Light W/Photocell - Gray	29W	3000K/4000K/5000K	4060-4640	2kV	9.13"	7.36"	13.62"
65-682	40W Area Light W/Photocell - Gray	40W	3000K/4000K/5000K	5600-6400	2kV	9.13"	7.36"	13.62"
65-683	60W Area Light W/Photocell - Gray	60W	3000K/4000K/5000K	8400-9600	4kV	9.13"	7.36"	13.62"
65-684	29W Area Light W/Photocell - Bronze	29W	3000K/4000K/5000K	4060-4640	2kV	9.13"	7.36"	13.62"
65-685	40W Area Light W/Photocell - Bronze	40W	3000K/4000K/5000K	5600-6400	2kV	9.13"	7.36"	13.62"
65-686	60W Area Light W/Photocell - Bronze	60W	3000K/4000K/5000K	8400-9600	4kV	9.13"	7.36"	13.62"

Accessories

65-687	21" Aluminum Anodized Arm
65-688	Photocell Shorting Cap

Consult Satco or visit www.satco.com for an up-to-date dimmer compatibility list. See warranty for details.

Product sheet NUI645

POLYCARBONATE CARPORT/AREA LIGHT

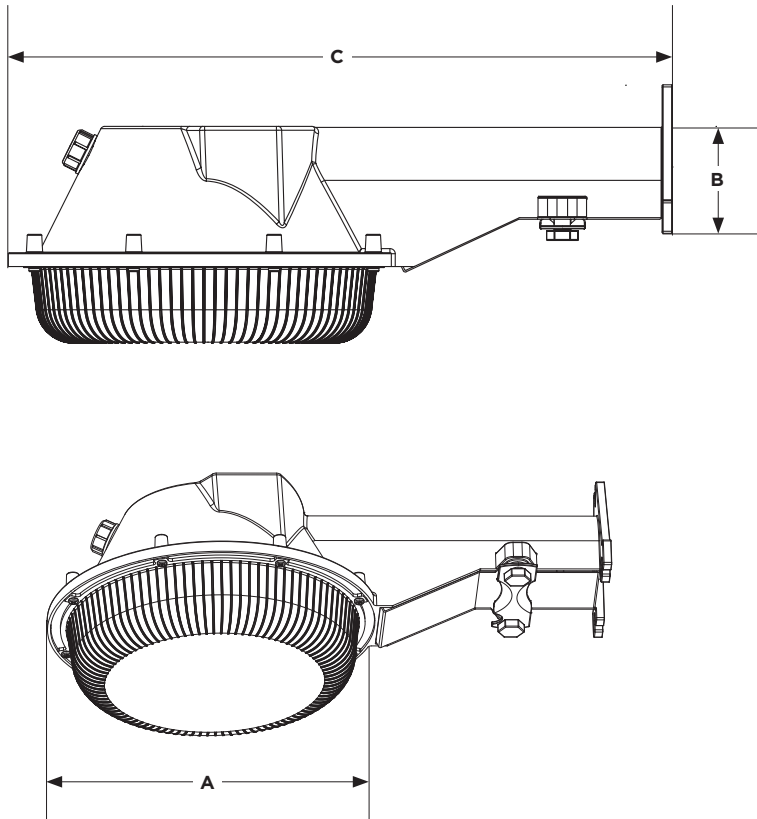


Features:

- Built-In Photocell with Cover
- 4000K and 5000K Options
- Rugged Polycarbonate Construction
- Impact-Resistant Lens
- Black Finish
- 90° Beam Angle
- Operating Temperature:
-30°C to 50°C (-22°F to 122°F)
- IP65
- 5 Year Warranty



POLYCARBONATE CARPORT/AREA LIGHT



Accessories



65-687
Mounting Arm

Specifications



Certifications



Item	Description	CCT	Lumens	(A) Width	(B) Height	(C) Ext.
65-244	Area Light w/Photocell - Black	4000K	2250	7.5"	4.13"	12.88"
65-245	Area Light w/Photocell - Black	5000K	2250	7.5"	4.13"	12.88"
Accessories						
65-687	21" Aluminum Anodized Arm					

Product sheet NU1534

INDOOR/OUTDOOR LED GOOSENECK FIXTURES - FIELD SELECTABLE



Features:

- 3000K/4000K/5000K Selectable
- 30W/40W/50W Selectable
- Integrated Photocell with On/Off Switch
- 0-10V Dimming*
- 2KV Surge Protection
- Die Cast Aluminum with UV Powder Coated finish
- IP65 Rated
- 50,000 Hours



INDOOR/OUTDOOR LED GOOSENECK FIXTURES - FIELD SELECTABLE



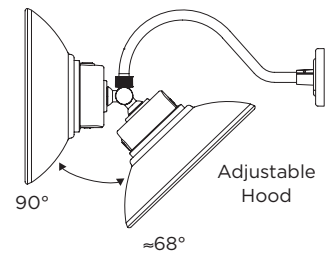
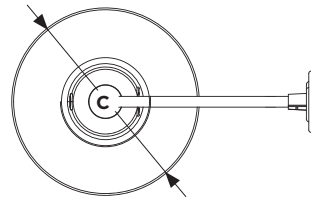
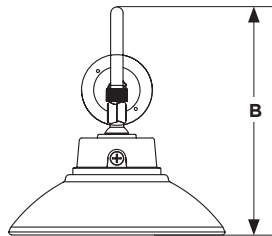
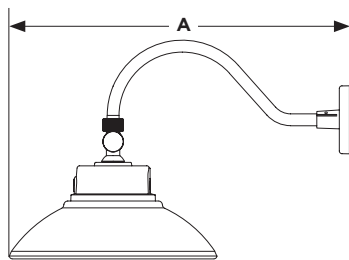
Photocell control, wattage & CCT selection switches are located behind waterproof 1/2" knockout



24" Accessory Arms Available



Adjustable Hood



Specifications



Certifications



Item	Description	Wattage Selectable	CCT Selectable	Lumens	(A) Ext.s	(B) Height	(C) Diameter
65-660	LED Gooseneck White Finish	30W/40W/50W	3000K/4000K/5000K	3300-5500	23.23"	14.96"	14.17"
65-661	LED Gooseneck Black Finish	30W/40W/50W	3000K/4000K/5000K	3300-5500	23.23"	14.96"	14.17"
65-662	LED Gooseneck Bronze Finish	30W/40W/50W	3000K/4000K/5000K	3300-5500	23.23"	14.96"	14.17"
65-657	24" Accessory Arm White Finish	--	--	--			
65-658	24" Accessory Arm Black Finish	--	--	--			
65-659	24" Accessory Arm Bronze Finish	--	--	--			

*Consult Satco or visit www.satco.com for an up-to-date dimmer compatibility list. See warranty for details.

Product sheet NU1711

Dark Sky Compliant when installed with head in locked downward facing position and set at 3000K

FLOOD LIGHTS - FIELD SELECTABLE



Features:

- 3000K/4000K/5000K CCT selectable
- Wattage Selectable
- Integrated Photocell (By-Passable)
- Tempered Glass
- 65-541 IK07, 65-542 and 65-543 IK08
- 0-10V Dimmable
- IP66
- 50,000 Hrs
- 5 Year warranty



FLOOD LIGHTS - FIELD SELECTABLE



Knuckle Mount with Mounting Plate (65-542 shown)



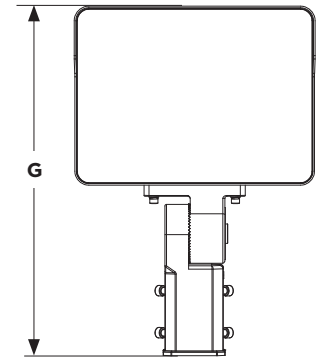
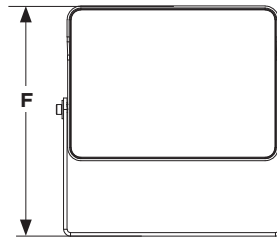
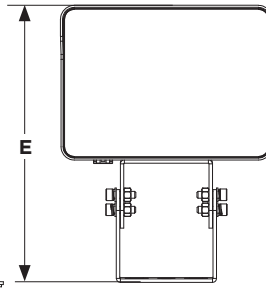
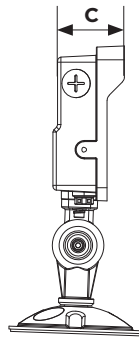
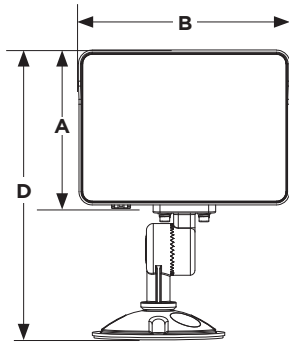
Trunnion Mount



Yoke Mount



Slipfitter Mount



Item	Watts	CCT	Lumens	Beam Angle	Surge Protection Rating
65-541	15W/25W/35W	3000K/4000K/5000K	1800-4900	150x135	4KV
65-542	45W/60W/80W	3000K/4000K/5000K	5400-11200	150x140	6KV
65-543	100W/125W/150W	3000K/4000K/5000K	12000-21000	150x140	6KV

Accessories

Item	Description	Finish
65-544	Trunnion Mount for 65-541 and 65-542	Bronze
65-545	Trunnion Mount for 65-543	Bronze
65-546	Yoke Mount for 65-541	Bronze
65-547	Yoke Mount for 65-542	Bronze
65-548	Yoke Mount for 65-543	Bronze
65-549	Slipfitter Mount for 65-541 and 65-542	Bronze

Dimensions

Item	(A) Length	(B) Width	(C) Ext.	(D) Length with Knuckle Mount and Plate	(E) Length with Trunnion Mount	(F) Length with Yoke Mount	(G) Length with Slipfitter Mount
65-541	7.24"	9.91"	2.44"	9.9"	9.5"	7.88"	14.5"
65-542	9.65"	11.68"	3.07"	11.7"	11.2"	10.13"	16.25"
65-543	11.61"	16.84"	3.86"	-	15.2"	12.25"	16.82"

Specification



Certifications



This device complies with Part 15 of the FCC Rules. Operation is subject to the following two conditions: (1) this device may not cause harmful interference, and (2) this device must accept any interference received, including interference that may cause undesired operation. Fixture may not be compatible with all dimmers.

Product sheet NU1769

FLOOD LIGHTS



Features:

- Low, Medium and High-Power Options Available
- Wide Angle Beam Spread
- Die-Cast Aluminum Housing
- IK08 Impact Rated Polycarbonate Optics
- Wide Range of Mounting Accessories
- Integrated Knockout for Optional Photocell on Select Fixture

70 Watt and 90 Watt with standard 1/2" knuckle mount and mounting plate (included).

150 Watt with standard 2 3/8" slip-fitter mount (included)

Mounting plate included



Slip-fitter mount included



FLOOD LIGHTS

Accessories



Yoke Mount
65-605 - 70W & 90W
65-606 - 150W



Trunnion Mount



Universal Mount
(Direct Mount & 2 3/8" Slip-fitter combo)



Direct Mount



Slip-fitter Mount



Photocell

Item	Description	Watts	Volts	Finish	CCT	Lumens	Beam	Life/Hrs
15W, 30W & 50W LED Flood Lights								
*65-531	LED 15W Flood Light	15W	120-277V	Bronze	3000K	1593	130°	50,000
*65-532	LED 15W Flood Light	15W	120-277V	Bronze	4000K	1603	130°	50,000
*65-533	LED 15W Flood Light	15W	120-277V	Bronze	5000K	1624	130°	50,000
65-534R1	LED 30W Flood Light	30W	120-277V	Bronze	3000K	3404	110°	50,000
65-535R1	LED 30W Flood Light	30W	120-277V	Bronze	4000K	3427	110°	50,000
65-536R1	LED 30W Flood Light	30W	120-277V	Bronze	5000K	3432	110°	50,000
65-537R1	LED 50W Flood Light	50W	120-277V	Bronze	3000K	5717	110°	50,000
65-538R1	LED 50W Flood Light	50W	120-277V	Bronze	4000K	5778	110°	50,000
65-539R1	LED 50W Flood Light	50W	120-277V	Bronze	5000K	5793	110°	50,000

*Not 0-10V dimmable. Not DLC listed.

Item	Description	Finish
Accessories		
65-528	Trunnion Mounting Accessory 30 and 50 Watt	Bronze
65-529	Yoke Mounting Accessory; 30 Watt Flood Fixture	Bronze
65-530	Yoke Mounting Accessory; 50 Watt Flood Fixture	Bronze

Item	Description	Watts	Volts	Finish	CCT	Lumens	Beam	Life/Hrs
70W, 90W & 150W LED Flood Lights								
65-615	70W LED Flood Light	70W	120-277V	Bronze	4000K	9889	150°	50,000
65-616	70W LED Flood Light	70W	120-277V	Bronze	5000K	10030	150°	50,000
65-617	90W LED Flood Light	90W	120-277V	Bronze	4000K	12651	150°	50,000
65-618	90W LED Flood Light	90W	120-277V	Bronze	5000K	12758	150°	50,000
65-619R1	150W LED Flood Light	150W	120-347V	Bronze	4000K	19500	150°	50,000
65-620R1	150W LED Flood Light	150W	120-347V	Bronze	5000K	20250	150°	50,000

Item	Description	Finish
Accessories		
65-604	Trunnion Mount 70W, 90W & 150W Flood	Bronze
65-605	Yoke Mount 70W & 90W Flood	Bronze
65-606	Yoke Mount 150W Flood	Bronze
65-609	Slipfitter Mount 70W, 90W & 150W Flood	Bronze
65-610	Direct Arm Mount 70W, 90W & 150W Flood	Bronze
65-613	Universal Mount 70W, 90W & 150W Flood	Bronze
86-212	Photocell 70W, 90W & 150W Flood - Includes All Components	

Product sheet NU1604

Specifications



Certifications



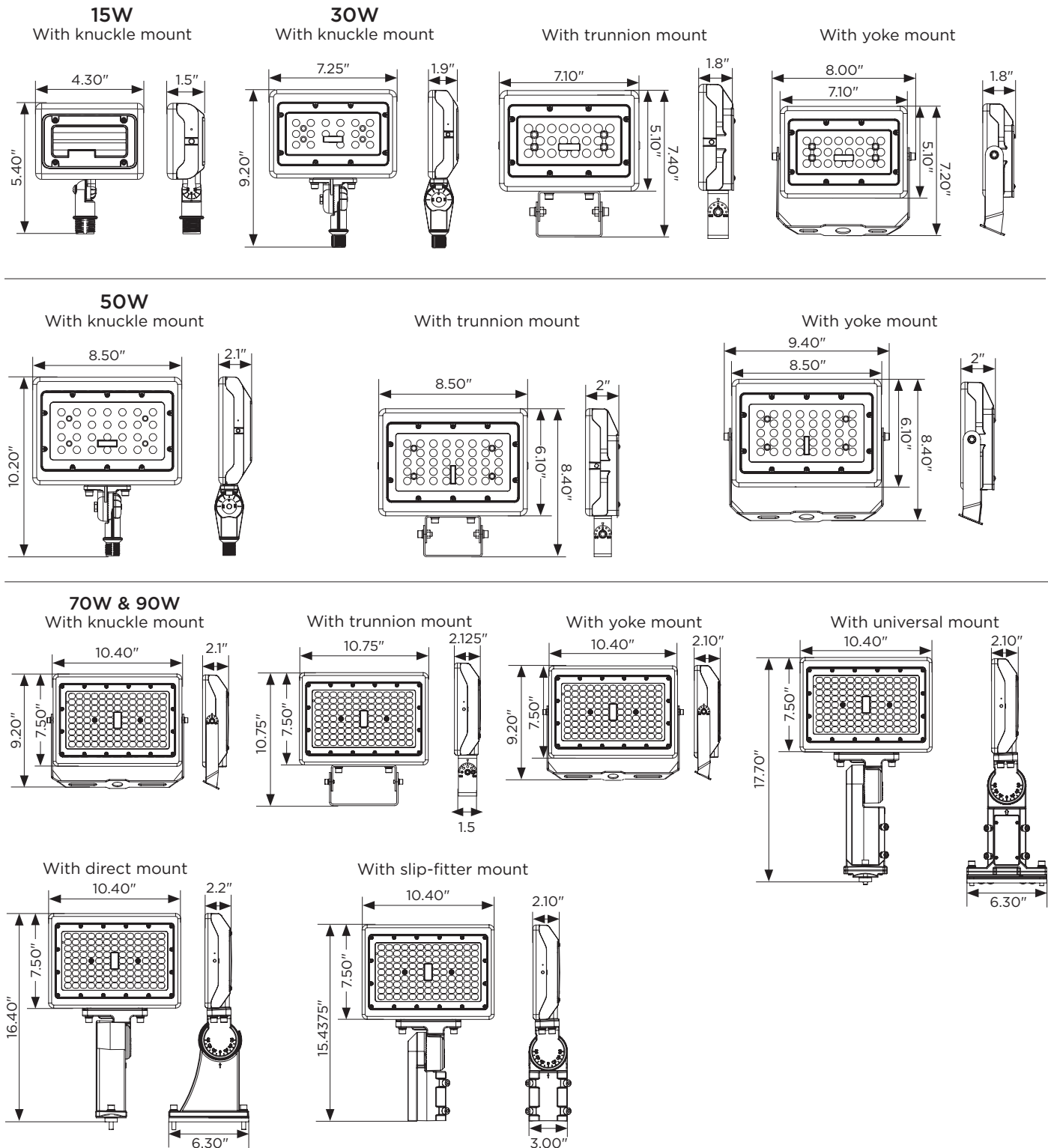
Specifications



Certifications



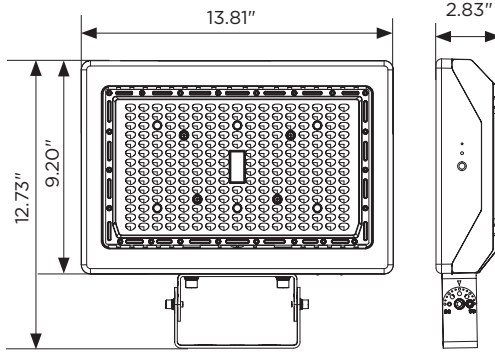
FLOOD LIGHTS



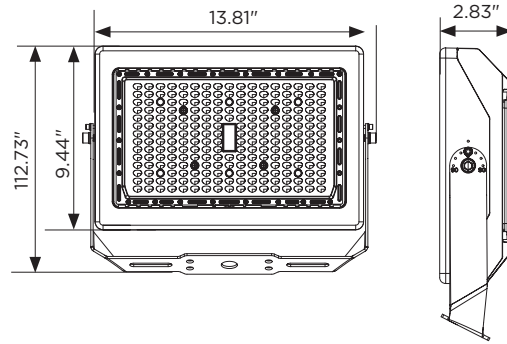
FLOOD LIGHTS

150W

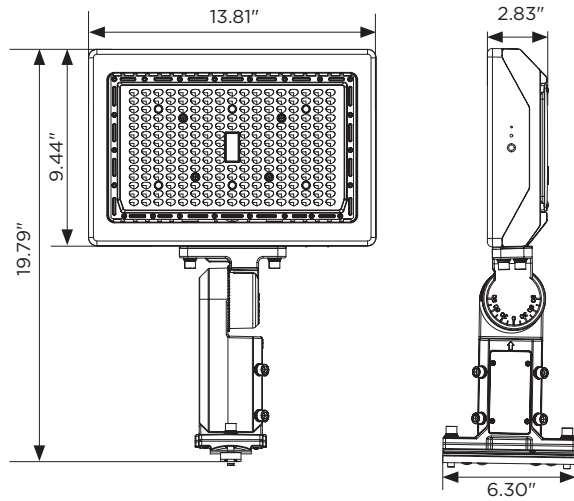
With trunnion mount



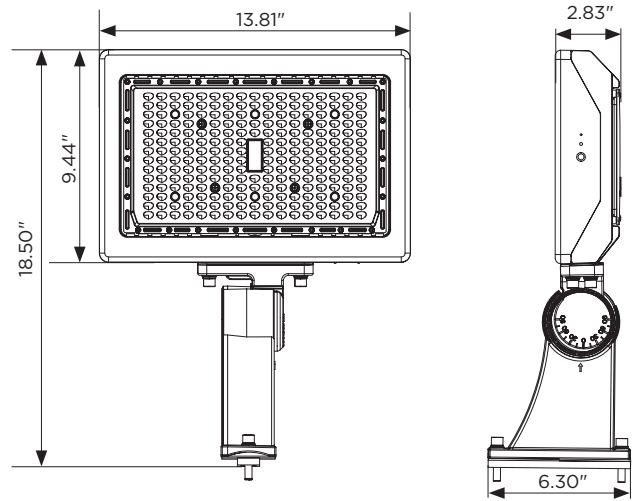
With yoke mount



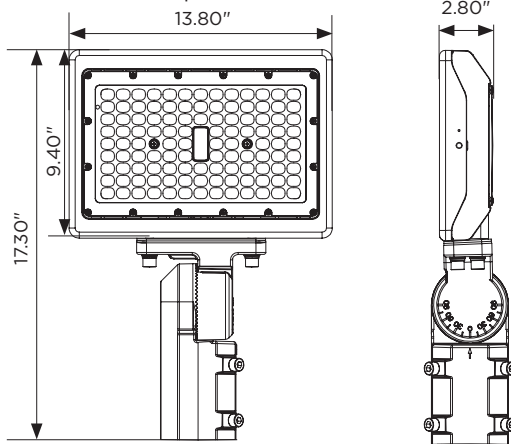
With universal mount



With direct mount



With slip-fitter mount



SMART LED SECURITY FLOODLIGHT CAMERA



STARFISH®
live life enLightened

Features:

- Real-Time Motion Events
- Video History & Night Vision
- Remote Access
- Adjustable Led Floodlights
- 270° Motion Detection
- 32GB SD Card Included
- IP65 Weatherproof Design
- 50,000 Hours
- 5 Year Warranty

**NO MONTHLY
SUBSCRIPTION**

STARFISH® ENABLED PRODUCT

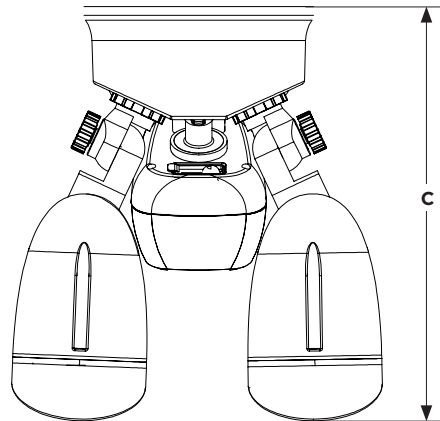
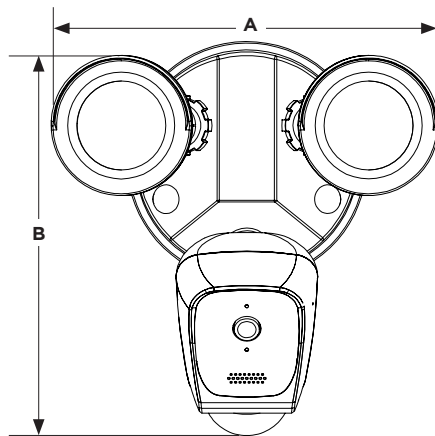
Build Scenes Remote Access Set Schedules Voice Control



SMART LED SECURITY FLOODLIGHT CAMERA



1080P HD Camera With 150° Viewing Angle



Item	Description	Watts	CCT	Volts	(A) Width	(B) Height	(C) Ext.
65-900	Security Light Camera - White	20W	3000K	120-277V	8.27"	8.46"	9.45"
65-901	Security Light Camera - Black	20W	3000K	120-277V	8.27"	8.46"	9.45"
65-902	Security Light Camera - Brown	20W	3000K	120-277V	8.27"	8.46"	9.45"

Product sheet NU1745

Specifications



Certifications



SMART LED SECURITY LIGHT & CAMERA RECTANGLE HEADS



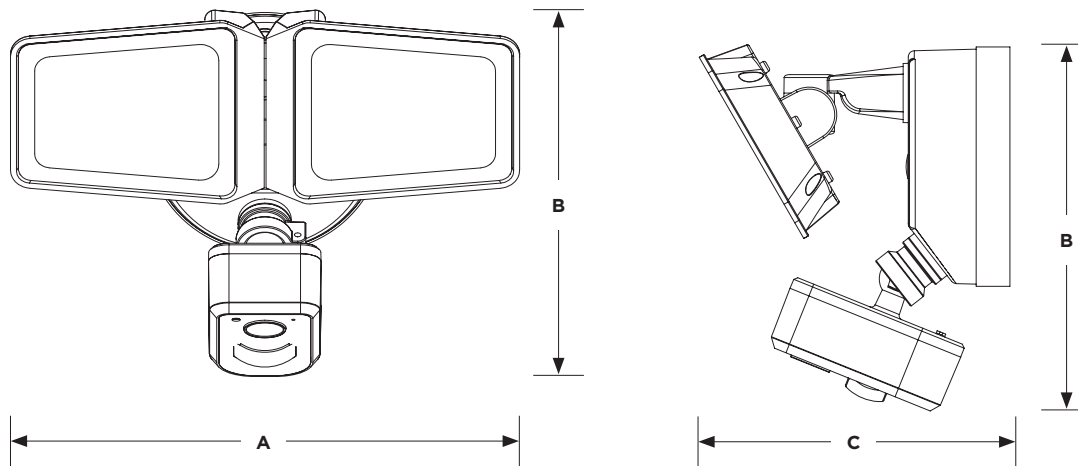
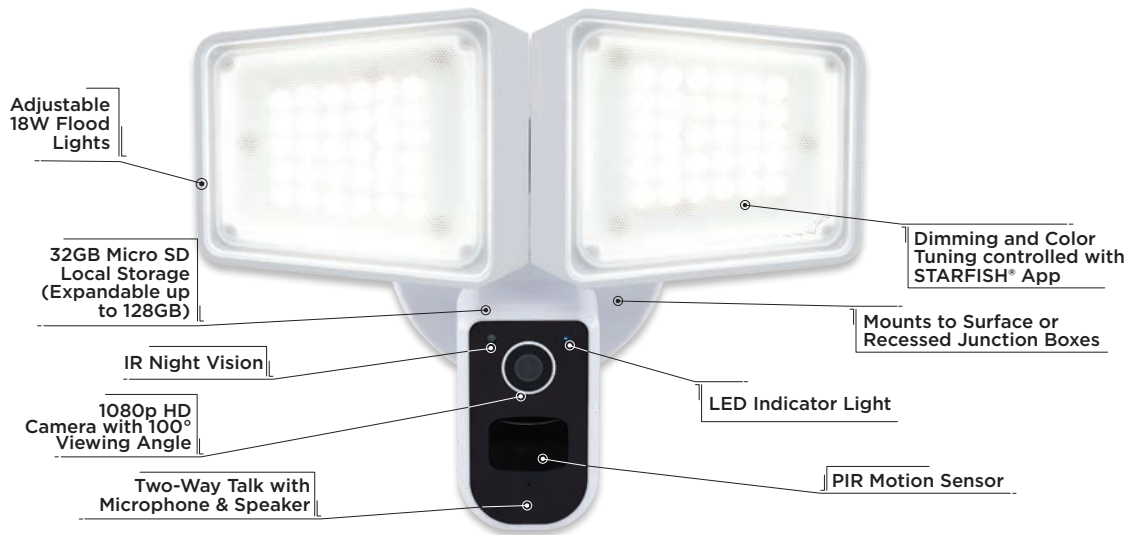
Features:

- Adjustable Rectangular High-Lumen Light Heads
- Real-Time Motion Alerts and Video history
- 1080p HD Camera with Night Vision
- Remote Viewing and Two-Way Talk
- Integrated Security Siren
- Offered in White and Black finishes

**NO MONTHLY
SUBSCRIPTION**



SMART LED SECURITY LIGHT & CAMERA RECTANGLE HEADS



Item	Description	Lumens	Wattage	Replacement Wattage	Width (A)	Height (B)	Ext. (C)
65-920	White	4500	36W	200W	9.80"	7.05"	6.00"
65-921	Black	4500	36W	200W	9.80"	7.05"	6.00"

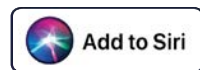
See warranty for details.

Product sheet SN1638

Specifications



Certifications



SMART LED SECURITY LIGHT & CAMERA BULLET HEADS - CCT SELECTABLE



Features:

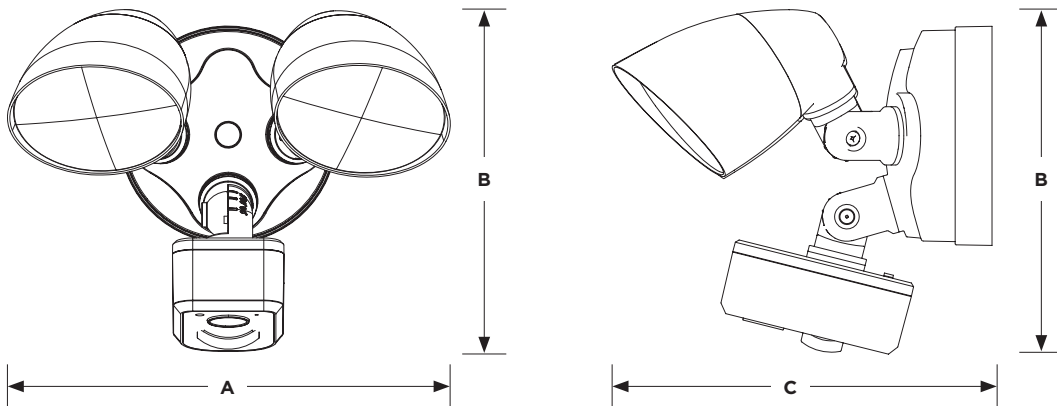
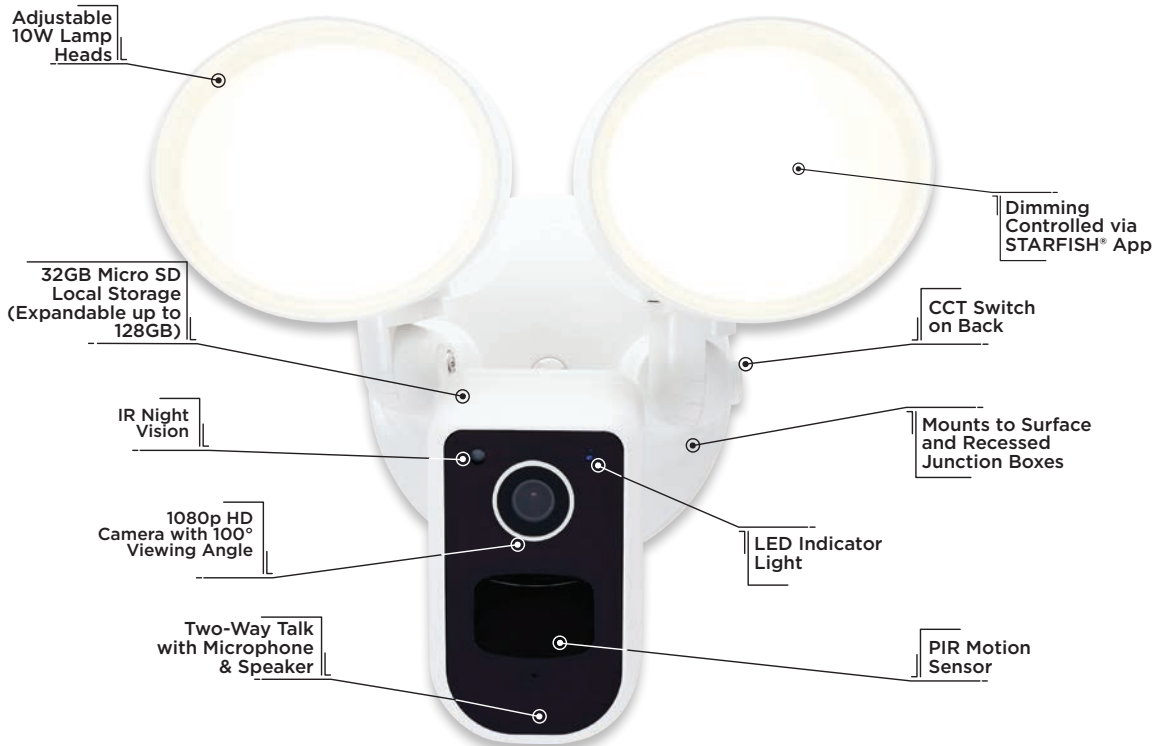
- 3-CCT Selectable
- Adjustable Bullet High-Lumen Light Heads
- Real-Time motion alerts and video history
- 1080p HD Camera with Night Vision
- Remote Viewing and Two-Way Talk
- Integrated Security Siren
- Offered in White and Black Finishes



**NO MONTHLY
SUBSCRIPTION**



SMART LED SECURITY LIGHT & CAMERA BULLET HEADS - CCT SELECTABLE



Item	Description	Max Lumens	Wattage	Replacement Wattage	(A) Width	(B) Height	(C) Ext.
65-930	White	1750	20W	100W	8.60"	6.31"	7.32"
65-931	Black	1750	20W	100W	8.60"	6.31"	7.32"

Specifications



Certifications



See warranty for details.

Product sheet SN1639

SECURITY FLOOD LIGHTS VARIABLE WATTAGE | FIELD SELECTABLE



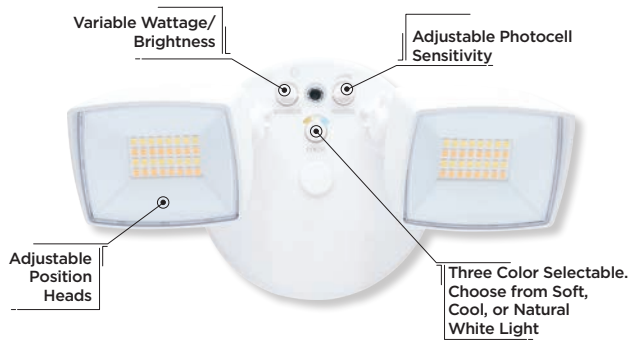
Features:

- Fully Articulating Heads
- Integrated Sentry Light*
- Adjustable Photocell Sensitivity
- Adjustable Motion Sensor Sensitivity*
- 3 CCT Selectable
- Adjustable Brightness Levels

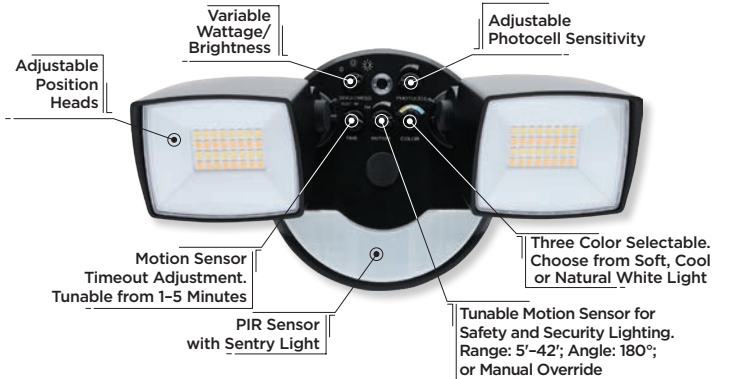


*Available on 65-997 & 65-998

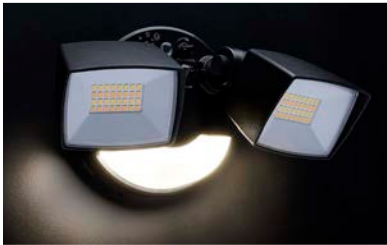
SECURITY FLOOD LIGHTS VARIABLE WATTAGE | FIELD SELECTABLE



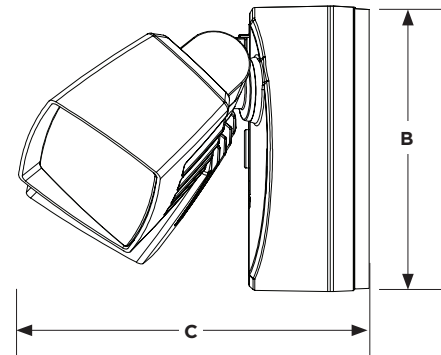
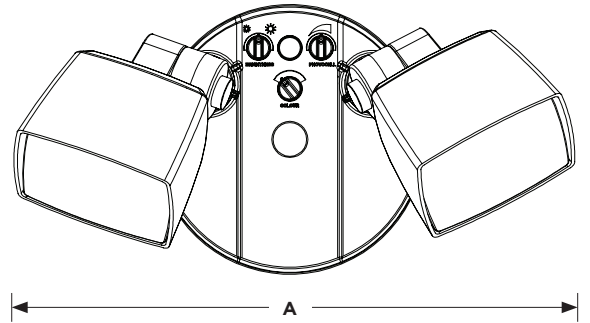
MODEL: 65-995



MODEL: 65-998



The sentry light can be set to stay on, providing an accent light even when no motion is detected to activate the dual heads. Sentry Lights Specs: 4000K, 108L @ 3W.



Item	Finish	Wattage	Lumen Output	CCT Selectable	(A) Width	(B) Height	(C) Ext.
65-995	White	17W to 25W	2190-3352	3000K/4000K/5000K	9.17"	4.41"	5.43"
65-996	Black	17W to 25W	2190-3352	3000K/4000K/5000K	9.17"	4.41"	5.43"
65-997	White	17W to 25W	2190-3352	3000K/4000K/5000K	9.17"	4.41"	5.43"
65-998	Black	17W to 25W	2190-3352	3000K/4000K/5000K	9.17"	4.41"	5.43"

Specifications

- 120 VOLT**
- WET LOCATION**
- IP 65**
- 2KV SURGE PROTECTION**
- 5 YEAR WARRANTY**
- 50,000 HOURS**

Certifications

-
-
-

See warranty for details.

Product sheet SN1683

DUAL HEAD SECURITY WITH OR WITHOUT MOTION SENSOR



Features:

- Die-cast Aluminum Body And Heads
- Impact Resistant Lenses
- Uv Stabilized Powder Coated Finish
- Recessed Junction Box Required
- 100-277V (Without Motion Sensor)
- 120V (With Motion Sensor)
- Operating Temperature:
-30°C to 50°C (-22°F to 122°F)
- 5 Year Warranty



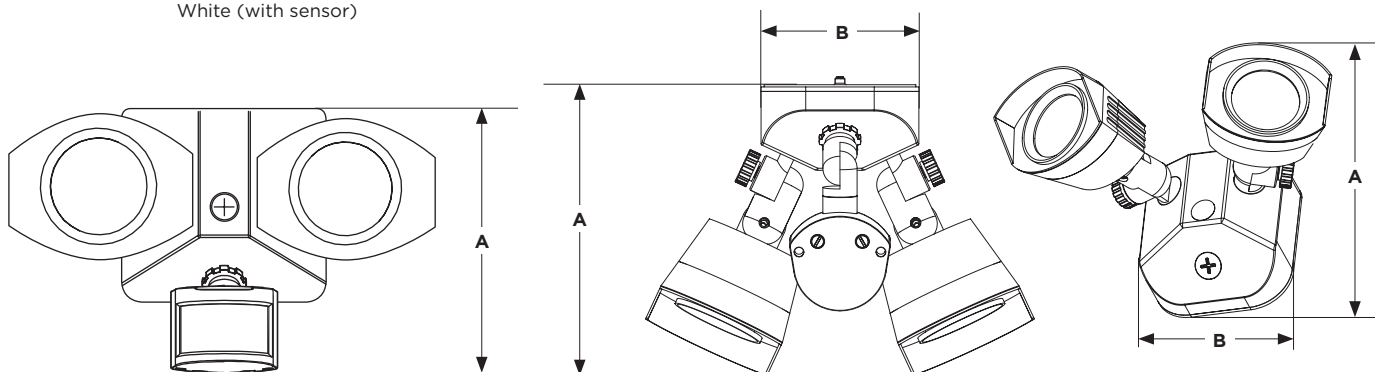
DUAL HEAD SECURITY WITH OR WITHOUT MOTION SENSOR



White (with sensor)



Bronze (no sensor)



Motion Sensor Specifications

- 1 Time setting: 10 seconds to 10 minutes
- Detection angle: 180°
- Detection range: 10 feet to 60 feet
- Dusk to dawn feature
- Manual override

Item	Description	Volts	CCT	(A) Length	(B) Width
65-210	White	100-277V	3000K	7.63	4.16"
65-211	White w/Sensor	120V	3000K	7.63	4.16"
65-212	Bronze	100-277V	3000K	7.63	4.16"
65-213	Bronze w/Sensor	120V	3000K	7.63	4.16"
65-214	Black	100-277V	3000K	7.63	4.16"
65-215	Black w/Sensor	120V	3000K	7.63	4.16"
65-216	White	100-277V	4000K	7.63	4.16"
65-217	White w/Sensor	120V	4000K	7.63	4.16"
65-218	Bronze	100-277V	4000K	7.63	4.16"
65-219	Bronze w/Sensor	120V	4000K	7.63	4.16"
65-220	Black	100-277V	4000K	7.63	4.16"
65-221	Black w/Sensor	120V	4000K	7.63	4.16"

See warranty for details.

Product sheet NUI537

Specifications



Certifications



DUAL HEAD SECURITY WITH OR WITHOUT MOTION SENSOR



Features:

- Die-Cast Aluminum Body and Heads
- UV Stabilized Powder Coated Finish
- Recessed and External J-box Mounting
- 100-277V (Without Motion Sensor)
- 120V (With Motion Sensor)
- Operating Temperature:
-30°C to 50°C (-22°F to 122°F)
- 5 Year warranty

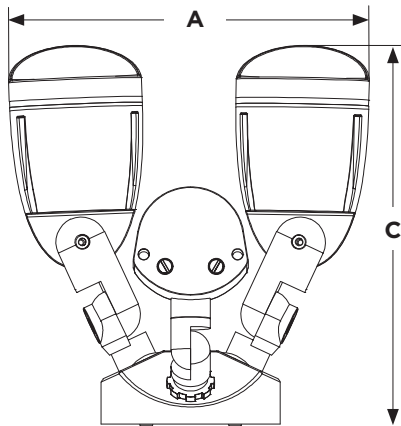
DUAL HEAD SECURITY WITH OR WITHOUT MOTION SENSOR



White (no sensor)

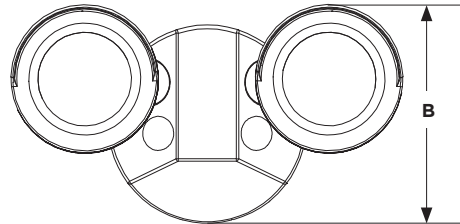


Bronze (with sensor)



Motion Sensor Specifications

- 1 Time setting: 10 seconds to 10 minutes
- Detection angle: 180°
- Detection range: 10 feet to 60 feet
- Dusk to dawn feature
- Manual override



Item	Description	Volts	CCT	(A) Width	(B) Height	(C) Length
65-710	White	100-277V	3000K	8.16"	4.54"	8.80"
65-711	White w/Sensor	120V	3000K	8.16"	6.42"	8.80"
65-712	Bronze	100-277V	3000K	8.16"	4.54"	8.80"
65-713	Bronze w/Sensor	120V	3000K	8.16"	6.42"	8.80"
65-714	Black	100-277V	3000K	8.16"	4.54"	8.80"
65-715	Black w/Sensor	120V	3000K	8.16"	6.42"	8.80"
65-716	White	100-277V	4000K	8.16"	4.54"	8.80"
65-717	White w/Sensor	120V	4000K	8.16"	6.42"	8.80"
65-718	Bronze	100-277V	4000K	8.16"	4.54"	8.80"
65-719	Bronze w/Sensor	120V	4000K	8.16"	6.42"	8.80"
65-720	Black	100-277V	4000K	8.16"	4.54"	8.80"
65-721	Black w/Sensor	120V	4000K	8.16"	6.42"	8.80"

See warranty for details.

Product sheet NU1643

Specifications



Certifications



LANDSCAPE FLOODS

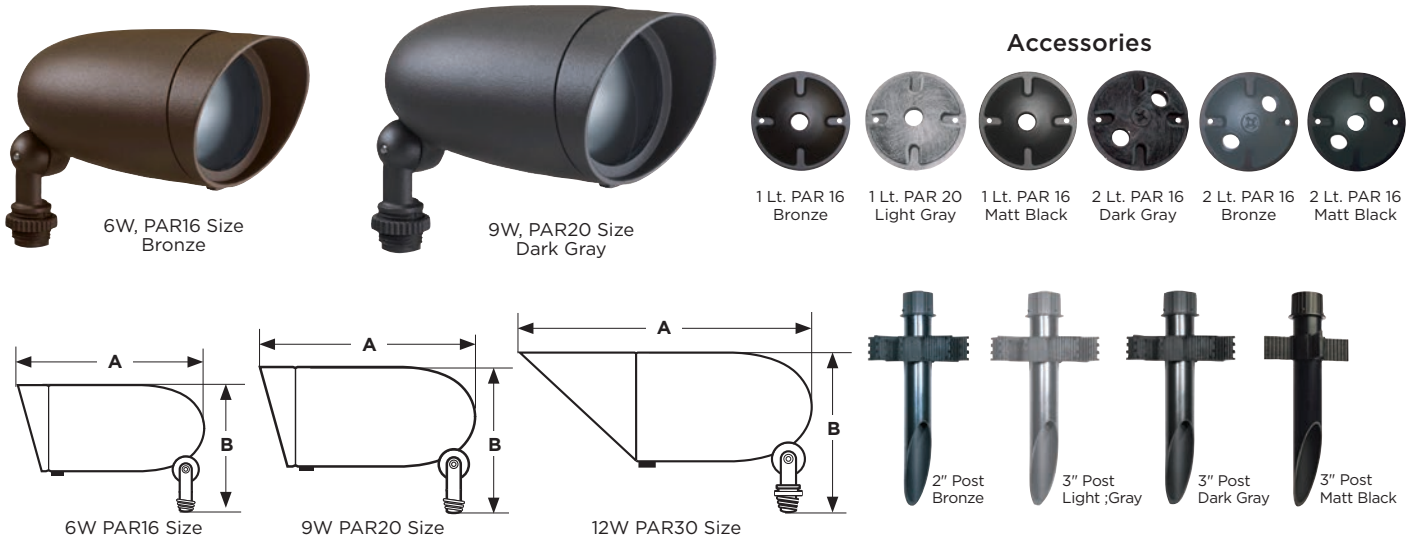


Features:

- 6W, 9W and 12W Options
- Dark Gray, Light Gray or Bronze finish
- Die Cast Aluminum Body
- No Transformer Required
- 1/2" Threaded Knuckle Mount
- UV Stabilized Powder Coated Finish
- 60° Beam Angle
- cULus
- 5 Year Warranty



LANDSCAPE FLOODS



Item	Description	Watts	Lumens	(A) Length	(B) Height
PAR16					
62-1197	6W Landscape Flood (PAR16 size)- Matte Black	6W	640	5.5"	3.25"
62-1200	6W Landscape Flood (PAR16 size) - Bronze	6W	640	5.5"	3.25"
62-1201	6W Landscape Flood (PAR16 size) - Dark Gray	6W	640	5.5"	3.25"
62-1202	6W Landscape Flood (PAR16 size) - Light Gray	6W	640	5.5"	3.25"
PAR20					
62-1198	9W Landscape Flood (PAR20 size)- Matte Black	9W	900	6.25"	4.00"
62-1203	9W Landscape Flood (PAR20 size) - Dark Gray	9W	900	6.25"	4.00"
62-1204	9W Landscape Flood (PAR20 size) - Light Gray	9W	900	6.25"	4.00"
62-1205	9W Landscape Flood (PAR20 size) - Bronze	9W	900	6.25"	4.00"
PAR30					
62-1199	12W Landscape Flood (PAR30 size)- Matte Black	12W	1248	12.2"	4.92"
62-1206	12W Landscape Flood (PAR30 size) - Bronze	12W	1240	12.2"	4.92"
62-1207	12W Landscape Flood (PAR30 size) - Dark Gray	12W	1240	12.2"	4.92"
62-1208	12W Landscape Flood (PAR30 size) - Light Gray	12W	1240	12.2"	4.92"
Accessories					
60-671	1 Light Die Cast Mounting Plate - Matte Black				
60-672	2 Light Die Cast Mounting Plate - Matte Black				
60-673	1 Light Die Cast Mounting Plate - Light Gray				
60-674	2 Light Die Cast Mounting Plate - Light Gray				
60-675	1 Light Die Cast Mounting Plate - Dark Gray				
60-676	2 Light Die Cast Mounting Plate - Dark Gray				
76-665	1 Light Die Cast Mounting Plate - Bronze				
76-666	2 Light Die Cast Mounting Plate - Bronze				
60-677	2" Diameter Pvc Mounting Post - Dark Gray				
60-681	2" Diameter Mounting Post - Matte Black				
60-682	3" Diameter Mounting Post - Matte Black				
60-678	3" Diameter PVC Mounting Post - Dark Gray				
60-679	2" Diameter PVC Mounting Post - Light Gray				
60-680	3" Diameter PVC Mounting Post - Light Gray				
76-641	3" Diameter PVC Mounting Post - Bronze				
76-640	2" Diameter PVC Mounting Post - Bronze				

Specifications



Certifications



See warranty for details.

Product sheet NUI394

STEP LIGHTS



Features:

- Rugged Construction
- No Transformer Required
- Easy Installation*
- UV Stabilized Powder Coated Finish
- Dimmable†
- Bronze, White or Gray Finish
- Minimum Interior Box Volume of 13 Cubic Inches.
- 5 Year Warranty



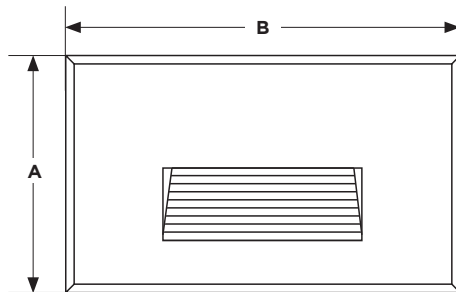
STEP LIGHTS



Horizontal Step Light White



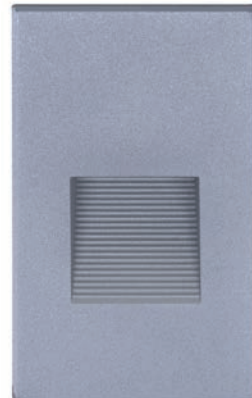
Horizontal Step Light Gray



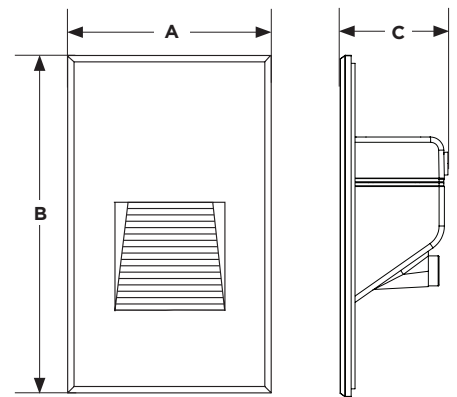
Vertical Step Light Bronze



Vertical Step Light White



Vertical Step Light Gray



Item	Description	Watts	Voltage	CCT	Lumens	(A) Width	(B) Height	(C) Length
Vertical								
65-401	Step Light - Bronze	3W	120V	3000K	200	3.00"	5.00"	1.63"
65-405	Step Light - White	3W	120V	3000K	200	3.00"	5.00"	1.63"
65-409	Step Light - Gray	3W	120V	3000K	200	3.00"	5.00"	1.63"
Horizontal								
65-403	Step Light - Bronze	5W	120V	3000K	407	3.00"	5.00"	1.63"
65-407	Step Light - White	5W	120V	3000K	407	3.00"	5.00"	1.63"
65-411	Step Light - Gray	5W	120V	3000K	407	3.00"	5.00"	1.63"

Consult Satco or visit www.satco.com for an up-to-date dimmer compatibility list.
 Minimum interior box volume of 13 cubic inches.
 See warranty for details.

Product sheet NU1393

Specifications



Certifications



1 LIGHT UP OR DOWN OUTDOOR WALL



Features:

- Die-Cast Aluminum Body
- UV Stabilized Powder Coated Finish
- White, Black or Bronze finish
- Operating Temp: -30°C to 50°C (-22°F to 122°F)
- 40° Beam Spread
- IP65
- 5 Year Warranty

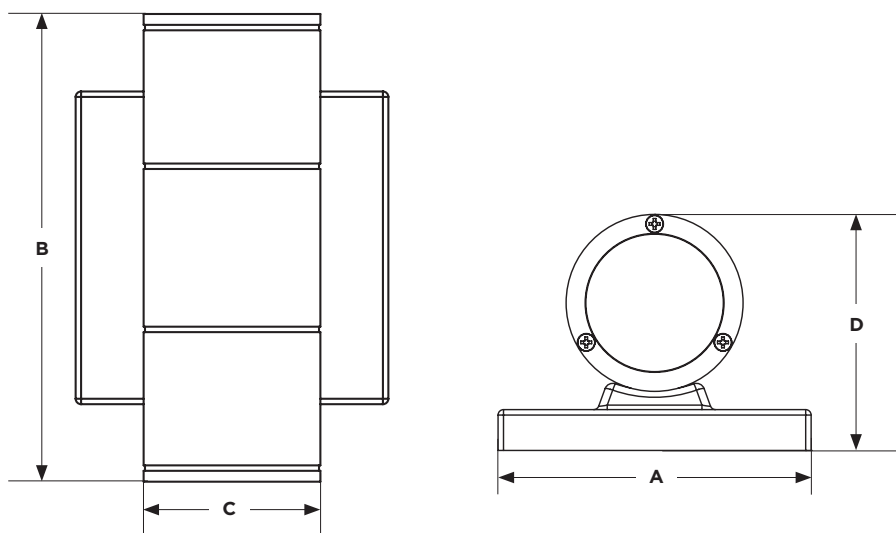


1 LIGHT UP OR DOWN OUTDOOR WALL

Large wall shown in "DOWN" position



Small wall shown in "UP" position

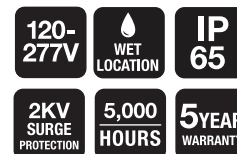


Item	Description	Watts	CCT	(A) Width	(B) Height	(C) Diameter	(D) Ext.
62-1137	1 Light Small Up or Down - White	10W	3000K	5.00"	6.77"	2.56"	3.43"
62-1138	1 Light Small Up or Down - Black	10W	3000K	5.00"	6.77"	2.56"	3.43"
62-1139	1 Light Small Up or Down - Bronze	10W	3000K	5.00"	6.77"	2.56"	3.43"
62-1147	1 Light Large Up or Down - White	10W	3000K	5.00"	8.25"	3.35"	4.21"
62-1148	1 Light Large Up or Down - Black	10W	3000K	5.00"	8.25"	3.35"	4.21"
62-1149	1 Light Large Up or Down - Bronze	10W	3000K	5.00"	8.25"	3.35"	4.21"

See warranty for details.

Product sheet NU1535

Specifications



Certifications



2 LIGHT UP AND DOWN OUTDOOR WALL

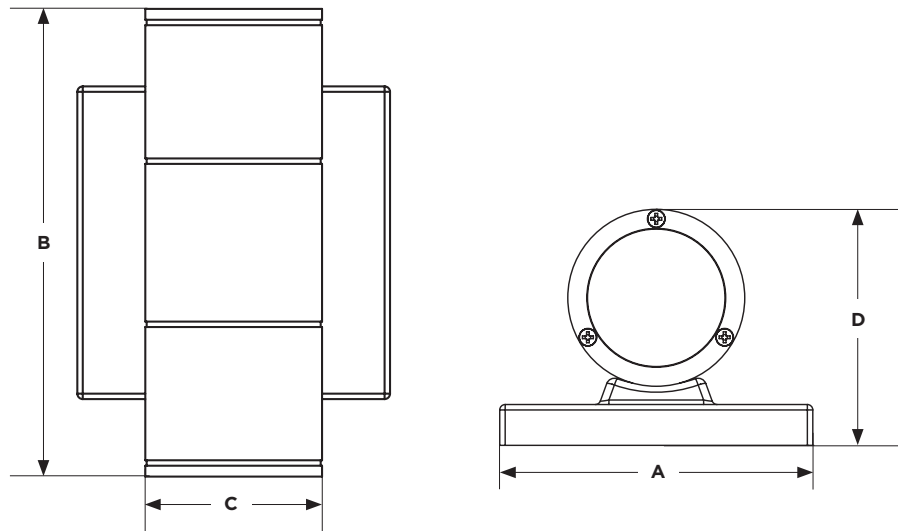


Features:

- Die-Cast Aluminum Body
- UV Stabilized Powder Coated Finish
- White, Black or Bronze finish
- 40° Beam Spread
- Operating Temp: -30°C to 50°C (-22°F to 122°F)
- IP65
- 5 Year Warranty



2 LIGHT UP AND DOWN OUTDOOR WALL



Item	Description	Watts	CCT	Lumens	(A) Width	(B) Height	(C) Diameter	(D) Ext.
62-1141R1	2 Light Small Up and Down - White	10W	3000K	900	5.00"	6.77"	2.56"	3.43"
62-1142R1	2 Light Small Up and Down - Black	10W	3000K	900	5.00"	6.77"	2.56"	3.43"
62-1145R1	2 Light Small Up and Down - Bronze	10W	3000K	900	5.00"	6.77"	2.56"	3.43"
62-1143R1	2 Light Large Up and Down - White	20W	3000K	1800	5.00"	11.69"	3.35"	4.21"
62-1144R1	2 Light Large Up and Down - Black	20W	3000K	1800	5.00"	11.69"	3.35"	4.21"
62-1146R1	2 Light Large Up and Down - Bronze	20W	3000K	1800	5.00"	11.69"	3.35"	4.21"

See warranty for details.

Product sheet NU136

Specifications



Certifications



BULKHEAD WALL



Features:

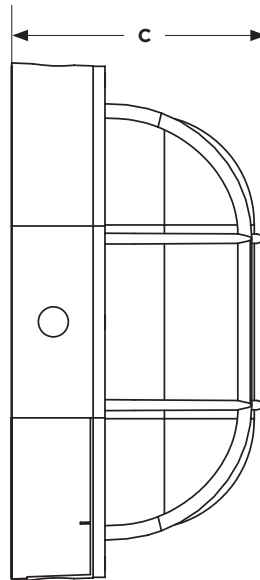
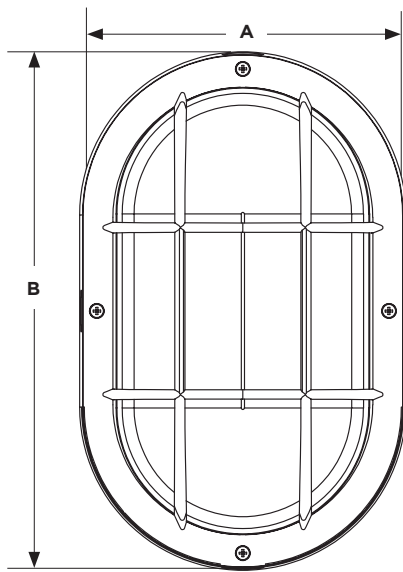
- Rugged Construction
- Die-Cast Aluminum Body
- UV Stabilized Powder Coated Finish
- (4) 1/2" Knockouts
- White or Black Finish with Frosted Glass
- Suitable for Wet Locations
- Operating Temperature:
-20°C to 40°C (-40°F to 104°F)
- 5 Year Warranty



BULKHEAD WALL



Bulkhead White



Item	Description	Watts	CCT	Lumens	(A) Width	(B) Height	(C) Ext.
65-113	Bulkhead - White	20W	3000K	1440	7.00"	11.25"	5.5"
65-114	Bulkhead - Black	20W	3000K	1440	7.00"	11.25"	5.5"

See warranty for details.

Product sheet NU1361

Specifications



Certifications



LED ADJUSTABLE VAPOR TIGHT FIXTURES

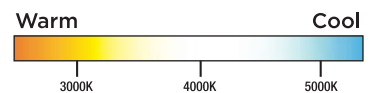


Features:

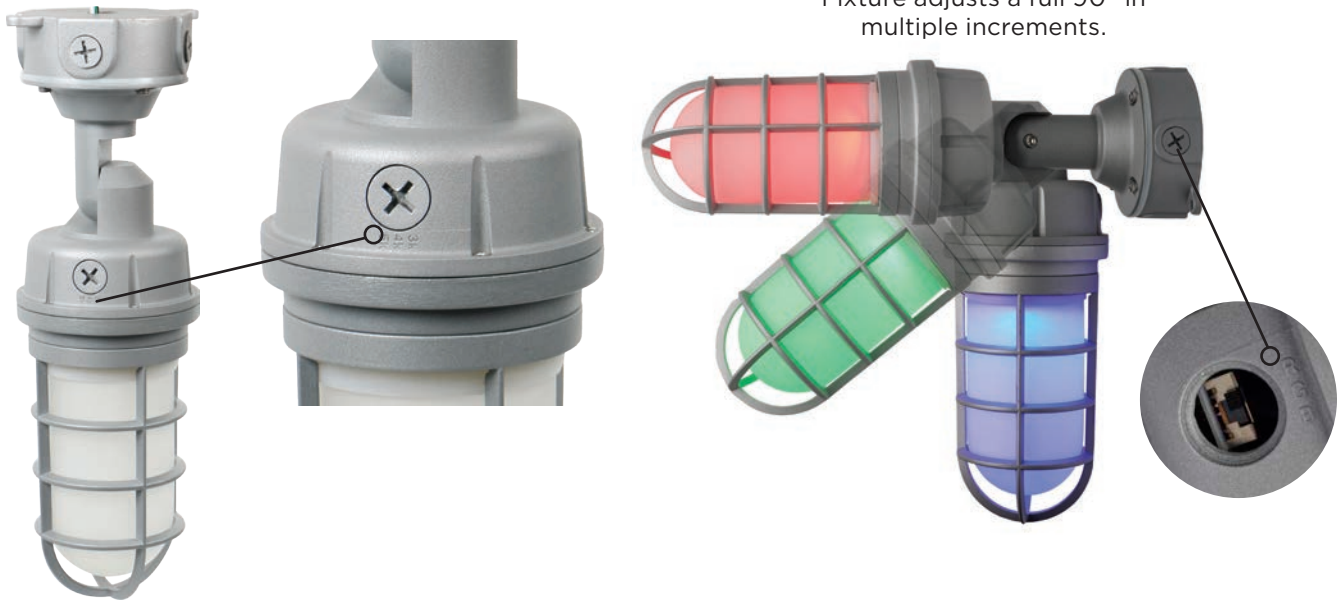
- 90° Adjustable Arm
- Red/Green/Blue Selectable Version
- 3000K/4000K/5000K Selectable Version
- Wall or Ceiling Mount
- Durable Die-Cast Aluminum Body and Protective Steel Cage
- Gray Finish/Frosted Glass
- IP65



ColorQuick[®]
Selectable Color Technology

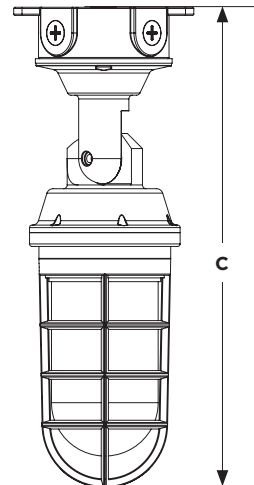
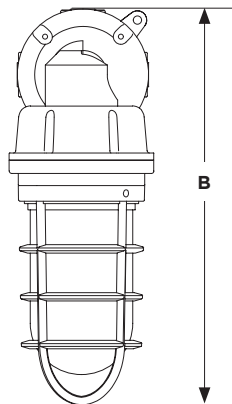
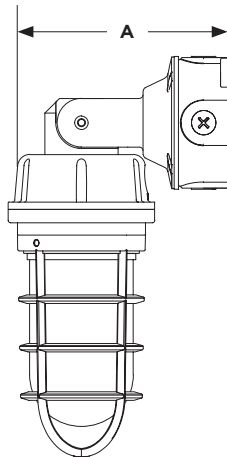


LED ADJUSTABLE VAPOR TIGHT FIXTURES



Option 1	Option 2
3K	R
4K	G
5K	B

- Select the CCT setting, (Model 65-550), or the RGB setting, (Model 65-551).
- Red/Green/Blue selectable
 Red: 500 Lumens
 Green: 1000 Lumens
 Blue: 200 Lumens

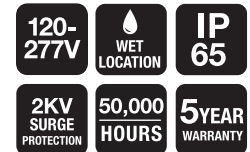


Item	Description	Watts	CCT/RGB	Lumens	(A) Width	(B) Height	(C) Ext.
*65-550	Gray Finish	20W	3000K/4000K/5000K	1700-2000	7.09"	13.19"	16.00"
65-551	Gray Finish	20W	Red/Green/Blue	Red: 500/Green: 1000/Blue: 200	7.09"	13.19"	16.00"

See warranty for details.
*CCT Selectable

Product sheet NU1718

Specifications



Certifications



POLYCARBONATE ADJUSTABLE VAPOR TIGHT

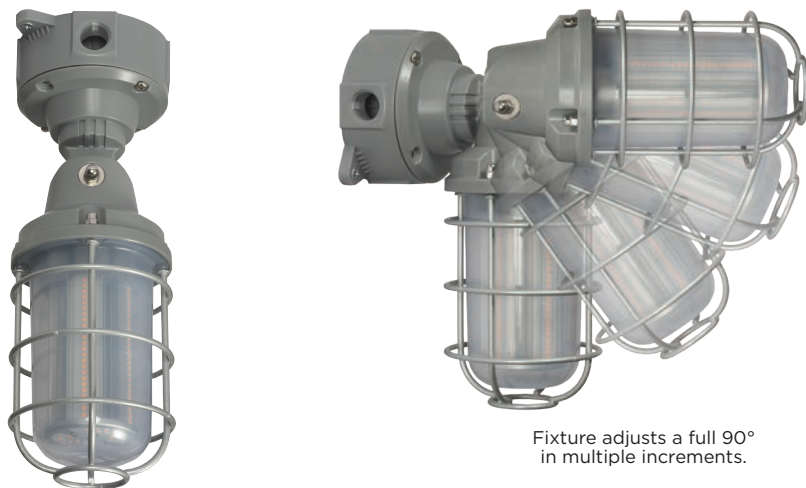


Features:

- 90° Adjustable Arm
- Wall or Ceiling Mount
- Protective Stainless Steel Cage & Hardware
- Gray Finish
- Operating Temp: -40°C to 45°C (-40°F to 113°F)
- ½" Conduit Openings on all 4 sides & 1 in back
- IP65
- 5 Year Warranty

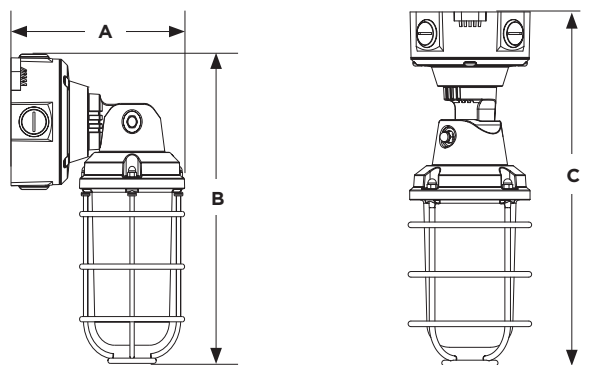


POLYCARBONATE ADJUSTABLE VAPOR TIGHT



Fixture adjusts a full 90°
in multiple increments.

6.50"
(165mm)



Item	Description	Watts	CCT	Lumens	(A) Width	(B) Height	(C) Ext.
65-171	Adjustable Vapor Tight - Gray	20W	3000K	2050	6.50"	10.20"	12.40"
65-172	Adjustable Vapor Tight - Gray	20W	4000K	2150	6.50"	10.20"	12.40"
65-173	Adjustable Vapor Tight - Gray	20W	5000K	2200	6.50"	10.20"	12.40"

See warranty for details.

Product sheet NU1488

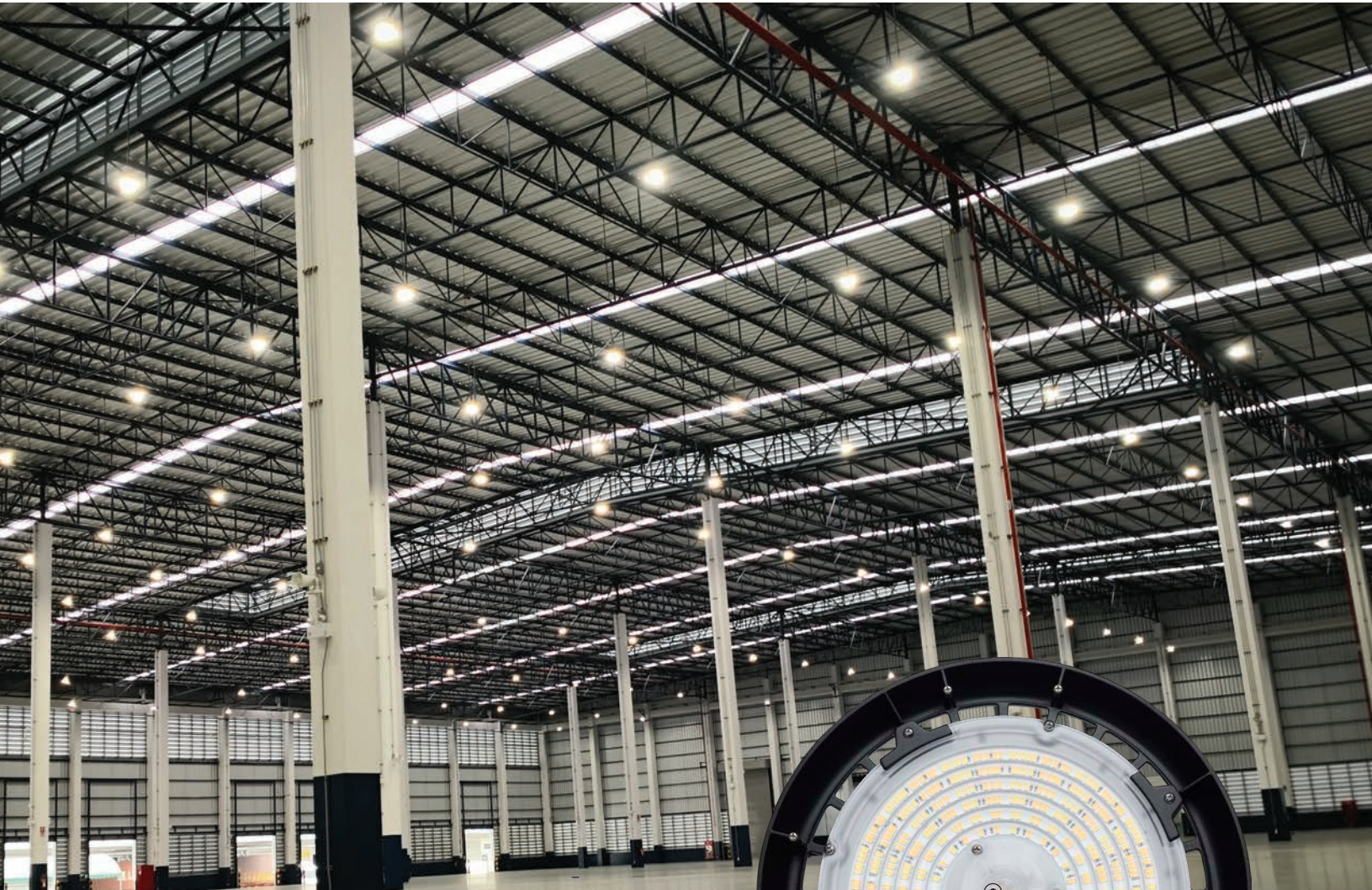
Specifications



Certifications



LED ROUND HIGH BAY FIELD SELECTABLE | 120V-347V



Features:

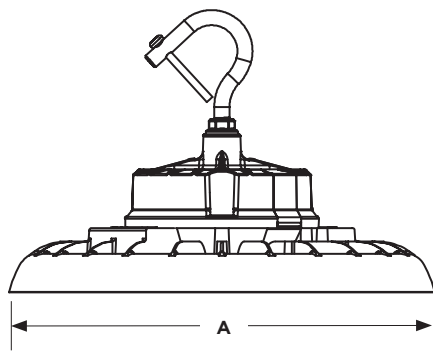
- Field Selectable (CCT and Wattage)
- Range Voltage 120V-347V
- Integrated Sensor Port
- EM Battery Backup Capable
- 6' Supply and Low Voltage Whips
- NEMA 4X (IP65)
- 0-10V Dimming
- Black & White Finishes Available



Integrated
Sensor Port



LED ROUND HIGH BAY FIELD SELECTABLE | 120V-347V



65-770R3 / 65-812

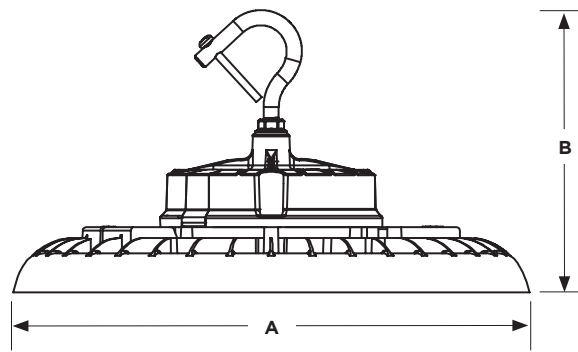
Recommended Up to 20' Mounting Height

80/100/120W

150-250W
HID Replacement

11,840-18,600 Lumens

Up to 155 LPW



65-771R3 / 65-813

Recommended Up to 30' Mounting Height

150/175/200W

400-450W
HID Replacement

22,200-28,800 Lumens

Up to 148 LPW

Item	Finish	Lumen Range	Wattage	Replacement HID Wattage	Efficacy	DLC ID
65-770R3	Black	11840-18600	80W/100W/120W	150W-250W	Up to 155 LPW	S-3M8BV2
65-771R3	Black	22200-28800	150W/175W/200W	400W-450W	Up to 148 LPW	S-PQ3SZK
65-812	White	11840-18600	80W/100W/120W	150W-250W	Up to 155 LPW	S-3M8BV2
65-813	White	22200-28800	150W/175W/200W	400W-450W	Up to 148 LPW	S-PQ3SZK

Item	Diameter (A)	Height (B)
65-770R3	11.00"	7.30"
65-771R3	13.40"	7.30"
65-812	11.00"	7.30"
65-813	13.40"	7.30"

Specifications



Certifications















*Consult Satco or visit www.satco.com for an up-to-date dimmer compatibility list. See warranty for details.

Product sheet SN1525



LED ROUND HIGH BAY FIELD SELECTABLE | 120V-347V

OPTIONAL ACCESSORIES

Item	Description	For Use With	
EM's & Extension Whips			
65-169	IP68 CONNECTOR WITH 5.5FT WHIP LINE SUPPLY - BK	65-770R3, 65-771R3	
65-199	IP68 CONNECTOR WITH 5.5FT WHIP 0-10V SUPPLY - BK	65-770R3, 65-771R3	
65-170	IP68 CONNECTOR WITH 5.5FT WHIP LINE SUPPLY - WH	65-812, 65-813	
65-200	IP68 CONNECTOR WITH 5.5FT WHIP 0-10V SUPPLY - WH	65-812, 65-813	
65-780	30W ADD ON EM UFO HIGH BAYS	65-770R3, 65-812	
65-815	40W ADD ON EM UFO HIGH BAYS	65-771R3, 65-813	
Yoke Mounts & Pendant Adaptors			
65-765	YOKE MOUNT FOR UFO - BK	65-770R3	
65-763	YOKE MOUNT FOR UFO - WH	65-812	
65-766	YOKE MOUNT FOR UFO - BK	65-771R3	
65-764	YOKE MOUNT FOR UFO - WH	65-813	
65-769	3/8" TO 3/4" PENDANT ADAPTER - BK	65-770R3, 65-771R3	
65-759	3/8" TO 3/4" PENDANT ADAPTER - WH	65-812, 65-813	

LED ROUND HIGH BAY FIELD SELECTABLE | 120V-347V

OPTIONAL ACCESSORIES

Item	Description	For Use With	
Diffusers, Reflectors & Wire Guards			
65-778	ADD ON REFLECTOR	65-770R3, 65-812	
65-779	ADD ON REFLECTOR	65-771R3, 65-813	
65-811	ADD ON PC SHADE	65-770R3, 65-812	
65-799	ADD ON PC SHADE	65-771R3, 65-813	
65-790	ADD ON BOTTOM DIFFUSER USE WITH 65-811	65-770R3, 65-812	
65-800	ADD ON BOTTOM DIFFUSER USE WITH 65-799	65-771R3, 65-813	
65-809	PROTECTIVE WIRE GUARD	65-770R3, 65-812	
65-810	PROTECTIVE WIRE GUARD	65-771R3, 65-813	
Sensors			
86-220	ADD ON PIR SENSOR/12 METER	ALL MODELS	
86-217	ADD ON PIR SENSOR/6 METER	ALL MODELS	
86-218	ADD ON MICROWAVE SENSOR	ALL MODELS	
86-219	REMOTE FOR ADD ON SENSORS	ALL MODELS	

When combining the EM option with the sensor option, the infinity setting must be used. The fixture can bi-level dim but not shut off completely.

UFO HIGH BAY



Features:

- 100W, 150W, 200W, 240W Options
- 4000K & 5000K Options
- Integrated Sensor Port
- Black or White finish
- Operating Temperature
-40°C to 50°C (-40°F to 122°F)
- 90° Beam Angle
- Includes 6' Whip

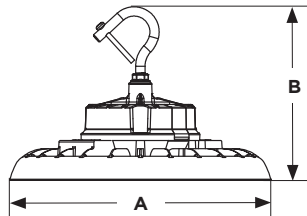


Integrated Sensor Port

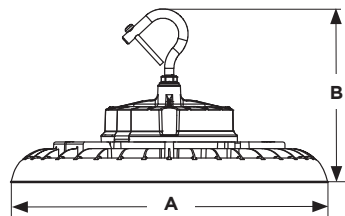
UFO HIGH BAY



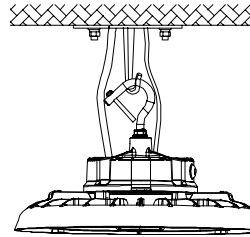
White



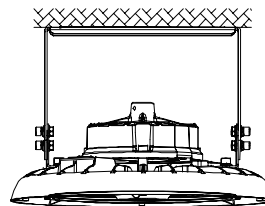
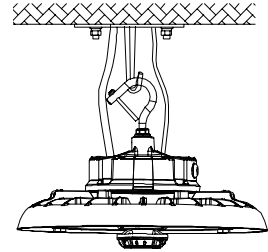
100W, 150W



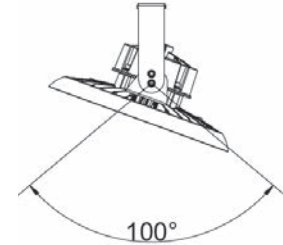
200W, 240W



Add on sensor



Shown with yoke accessory



Item	Description	Watts	Volts	CCT	Lumens	(A) Width	(B) Height
Black 120-277V							
65-781R2	7 7/8" x 11 7/8" - Black	100W	120-277V	4000K	14000	11.02"	7.3"
65-782R2	7 7/8" x 11 7/8" - Black	100W	120-277V	5000K	14400	11.02"	7.3"
65-783R2	7 7/8" x 11 7/8" - Black	150W	120-277V	4000K	20850	11.02"	7.3"
65-784R2	7 7/8" x 11 7/8" - Black	150W	120-277V	5000K	21600	11.02"	7.3"
65-785R2	8 1/2" x 14 1/4" - Black	200W	120-277V	4000K	28000	13.39"	7.3"
65-786R2	8 1/2" x 14 1/4" - Black	200W	120-277V	5000K	28800	13.39"	7.3"
65-787R2	8 1/2" x 14 1/4" - Black	240W	120-277V	4000K	33360	13.39"	7.3"
65-788R2	8 1/2" x 14 1/4" - Black	240W	120-277V	5000K	34560	13.39"	7.3"
White 120-277V							
65-791R2	7 7/8" x 11 7/8" - White	100W	120-277V	4000K	14000	11.02"	7.3"
65-792R2	7 7/8" x 11 7/8" - White	100W	120-277V	5000K	14400	11.02"	7.3"
65-793R2	7 7/8" x 11 7/8" - White	150W	120-277V	4000K	20850	11.02"	7.3"
65-794R2	7 7/8" x 11 7/8" - White	150W	120-277V	5000K	21600	11.02"	7.3"
65-795R2	8 1/2" x 14 1/4" - White	200W	120-277V	4000K	28000	13.39"	7.3"
65-796R2	8 1/2" x 14 1/4" - White	200W	120-277V	5000K	28800	13.39"	7.3"
65-797R2	8 1/2" x 14 1/4" - White	240W	120-277V	4000K	33360	13.39"	7.3"
65-798R2	8 1/2" x 14 1/4" - White	240W	120-277V	5000K	34560	13.39"	7.3"
Black 277-480V							
65-801R2	7 7/8" x 11 7/8" - Black	100W	277-480V	4000K	14100	11.02"	8.11"
65-802R2	7 7/8" x 11 7/8" - Black	100W	277-480V	5000K	14500	11.02"	8.11"
65-803R2	7 7/8" x 11 7/8" - Black	150W	277-480V	4000K	21000	11.02"	8.11"
65-804R2	7 7/8" x 11 7/8" - Black	150W	277-480V	5000K	21750	11.02"	8.11"
65-805R2	8 1/2" x 14 1/4" - Black	200W	277-480V	4000K	28200	13.39"	8.11"
65-806R2	8 1/2" x 14 1/4" - Black	200W	277-480V	5000K	29000	13.39"	8.11"
65-807R2	8 1/2" x 14 1/4" - Black	240W	277-480V	4000K	33840	13.39"	8.11"
65-808R2	8 1/2" x 14 1/4" - Black	240W	277-480V	5000K	34800	13.39"	8.11"

See warranty for details.

Product sheet NU1620

Specifications



Certifications



OPTIONAL UFO HIGH BAY ACCESSORIES



5.5' Supply Extension Whip
with IP68 Connector

IP68 Rated Whip Features

- 5.5 Ft. length SJTW 18/3
- Waterproof IP68 rated
- Voltage rating 300V
- Current rating 16A
- Operating temperature range
-40°C - 105°C (-40°F - 221°F)



65-780 EM for UFO High Bays
(120-347V) 30W 90 Minute Run Time
65-815 EM for UFO High Bays
(120-347V) 40W 90 Minute Run Time



Remote for Microwave Sensor

**Used to program
86-218 sensors
with the below settings:**

- Brightness
- Sensitivity
- Hold Time
- Standby Dimming
- Daylight
- Standby Time



Aluminum Reflector



Yoke Mount - Black or White



3/8" to 3/4" Pendant Adapter -
Black or White



Protective Wire Guard



86-217 Add-On PIR Sensor
White/6 Meter (19.6 ft)



86-218 Add-On
Microwave Sensor
White/12 Meter (39.3 ft)



86-220 Add-On PIR Sensor
White/12 Meter (39.3 ft)

OPTIONAL UFO HIGH BAY ACCESSORIES



PC Shade



Bottom Diffuser,
for use with PC Shade

Item	Description	Application
65-169	Whip Connector; 0-10V 5.5 Ft. - IP68 Rated - Black	All
65-170	Whip Connector; 0-10V 5.5 Ft. - IP68 Rated - White	All
65-199	Whip Connector; 5.5 Ft. - IP68 Rated - Black	All
65-200	Whip connector; 5.5 Ft. - IP68 Rated - White	All
65-759	3/8" To 3/4" Pendant Adapter - White	All
65-763	Yoke Mount - White	65-770R2, 100W & 150W
65-764	Yoke Mount - White	65-771R2, 200W & 240W
65-765	Yoke mount - Black	65-770R2, 100W & 150W
65-766	Yoke mount - Black	65-771R2, 200W & 240W
65-769	3/8" To 3/4" Pendant Adapter - Black	All
65-778	Aluminum Reflector	65-770R2, 100W & 150W
65-779	Aluminum Reflector	65-771R2, 200W & 240W
65-780	EM (30W) UFO High Bays (120-347V)	65-770R2, 100W & 150W
65-789	PC Shade	100W & 150W
65-790	Add on Bottom Diffuser w/Clamp Band	w/65-789
65-799	PC Shade	200W & 240W
65-800	Add on Bottom Diffuser w/Clamp Band	w/65-799
65-809	Protective Wire Guard	100W & 150W
65-810	Protective Wire Guard	200W & 240W
65-811	Add-On PC Shade	65-770R2, 100W & 150W
65-815	EM (40W) UFO High Bays (120-347V)	65-771R2, 200W & 240W
86-217	Add-On PIR Sensor	All
86-218	Add on Microwave Sensor	All
86-220	Add-On PIR Sensor	All
86-219	Remote for Sensors	All

See warranty for details.

Product sheets NU1620 / NU1640

LED LINEAR HIGH BAY INTERCHANGEABLE OPTICAL LENS FIELD SELECTABLE



Features:

- Interchangeable Optical Lenses
- Field Selectable (CCT and Wattage)
- Flicker Free Driver
- Integrated Sensor Port
- 41" Suspension Kit Included



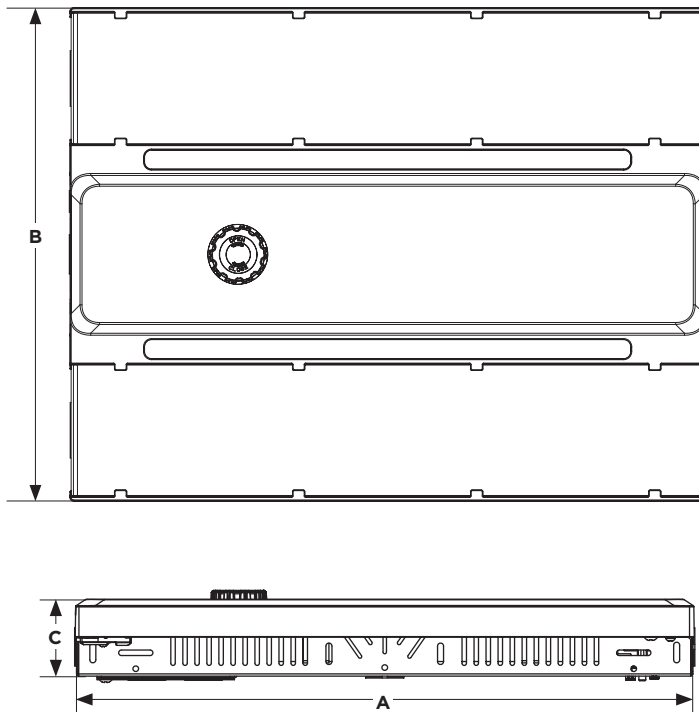
90° x 90° Optical Lens Included

Additional Optical Lenses

Available in:
45° x 90°
65° x 65°
110° x 110°



LED LINEAR HIGH BAY INTERCHANGEABLE OPTICAL LENS FIELD SELECTABLE



Integrated Sensor Port



Wattage and CCT Selectable Switches (Model 65-1010 shown)



1/2" Knockouts for Easy Wiring

Item	Size	Watts	CCT Selectable	Lumens	(A) Length	(B) Width	(C) Height
65-1010	1.2'	65W/75W/85W	3000K/4000K/5000K	9474-12739	14.17"	11.02"	1.77"
65-1011	1.2'	110W/130W/155W	3000K/4000K/5000K	15655-21714	14.17"	11.02"	1.77"
65-1012	2'	200W/220W/255W	3000K/4000K/5000K	28320-37270	23.03"	12.6"	1.77"
65-1013	2'	275W/300W/320W	3000K/4000K/5000K	38037-45598	23.03"	12.6"	1.77"

Accessories

65-1009 Add on EM Linear High Bay

*Consult Satco or visit www.satco.com for an up-to-date dimmer compatibility list. See warranty for details.

Product sheet SNI332

Specifications






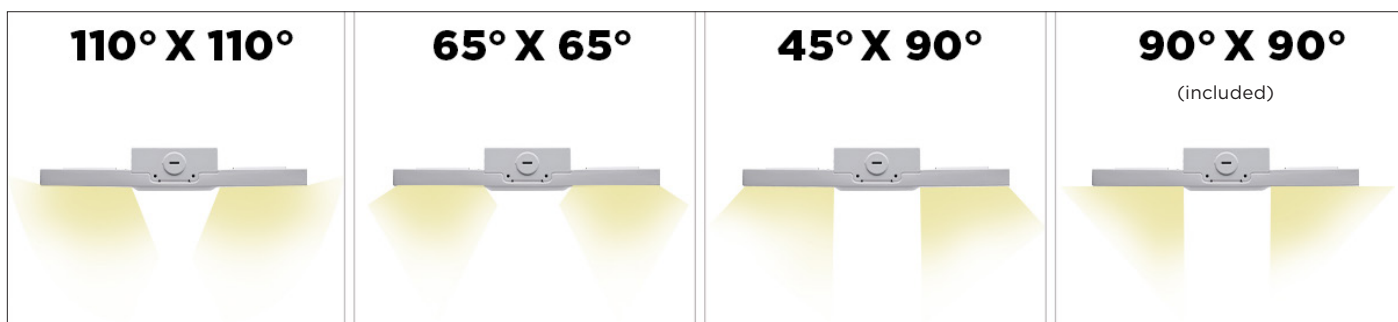
Certifications



LED LINEAR HIGH BAY INTERCHANGEABLE OPTICAL LENS FIELD SELECTABLE

OPTIONAL ACCESSORIES (SOLD SEPARATELY)

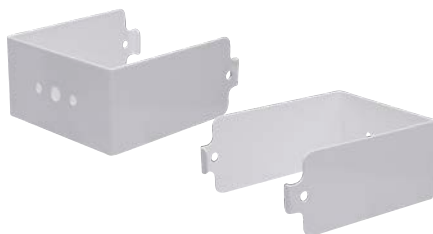
Item	Lens Kits	
65-1019	45° X 90° DEGREE OPTIC SET OF 2 (Fits: 65-1010, 65-1011)	
65-1020	65° X 65° DEGREE OPTIC SET OF 2 (Fits: 65-1010, 65-1011)	
65-1021	110° X 110° DEGREE OPTIC SET OF 2 (Fits: 65-1010, 65-1011)	
65-1022	45° X 90° DEGREE OPTIC SET OF 2 (Fits: 65-1012, 65-1013)	
65-1023	65° X 65° DEGREE OPTIC SET OF 2 (Fits: 65-1012, 65-1013)	
65-1024	110° X 110° DEGREE OPTIC SET OF 2 (Fits: 65-1012, 65-1013)	



LED LINEAR HIGH BAY INTERCHANGEABLE OPTICAL LENS ACCESSORIES



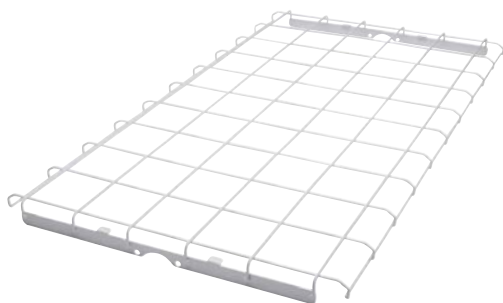
65-1014
Pendant Mount Kit Led High Bay
(Fits 65-1010, 65-1011, 65-1012, 65-1013)



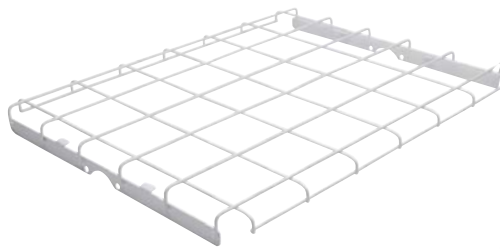
65-1015
Surface Mount Kit Led High Bay
(Fits 65-1010, 65-1011, 65-1012, 65-1013)



65-1009
Add on EM Linear High Bay
(Fits 65-1010 - 65-1013)



65-1016
Cage For 1.2' Linear High Bay
(Fits: 65-1010, 65-1011)



65-1018
Cage For 2' Linear High Bay
(Fits: 65-1012, 65-1013)



86-217
Add on PIR Sensor
6 Meter



86-218
Add on
Microwave Sensor



86-220
Add on
PIR Sensor 12 Meter

86-219
Remote



Mounting Kits		
Item	Description	Finish
65-1014	Pendant Mount Kit LED Hi Bay	White
65-1015	Surface Mount Kit LED Hi Bay	White
65-1016	Protective Cage for 1.2' Linear High Bay	White
65-1018	Protective Bage for 2' Linear High Bay	White
Sensors		
Item	Description	Finish
86-217	PIR 6 Meter (19.69 foot) Sensor	White
86-220	PIR Sensor 12 Meter (39.4 foot) Sensor	White
86-218	Microwave Sensor 12 Meter (39.4 foot)	White
86-219	IR Programing Remote	Black
Emergency Battery Backup		
Item	Description	Finish
86-209	EM Battery Back UP ADJ Hi Bay	White

LED ADJUSTABLE LINEAR HIGH BAY



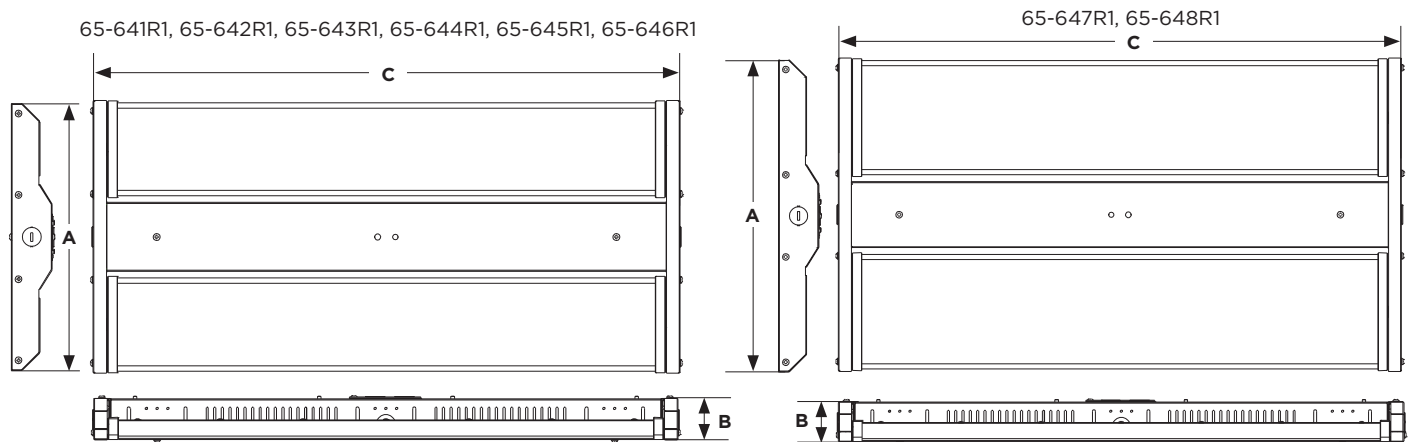
Features:

- Fully Independent Articulating Light Panels
- Integrated DC Sensor Port
- 0-10V Dimmable*
- 50,000 Rated Life Hours
- DLC 5.1 Premium Certified
- 5 Year Warranty



Mounting chains included

LED ADJUSTABLE LINEAR HIGH BAY



Item	Watts	CRI	CCT	Lumens	(A) Width	(B) Height	(C) Length
65-641R1	110W	80	4000K	15871	12.00"	1.88"	26.00"
65-642R1	110W	80	5000K	16169	12.00"	1.88"	26.00"
65-643R1	135W	80	4000K	18524	12.00"	1.88"	26.00"
65-644R1	135W	80	5000K	18117	12.00"	1.88"	26.00"
65-645R1	165W	80	4000K	22756	12.00"	1.88"	26.00"
65-646R1	165W	80	5000K	22816	12.00"	1.88"	26.00"
65-647R1	220W	80	4000K	30315	14.25"	1.88"	26.00"
65-648R1	220W	80	5000K	30337	14.25"	1.88"	26.00"

*Consult Satco or visit www.satco.com for an up-to-date dimmer compatibility list. Product sheet NU1606
See warranty for details.

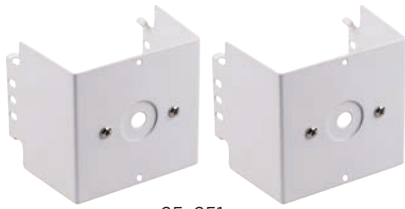
Specifications



Certifications



LED ADJUSTABLE LINEAR HIGH BAY ACCESSORIES



65-651
Surface Mount Kit



65-650
Pendant Mount Kit



86-209
Battery Mode: 20W/- 355- 90
Minute Run Time



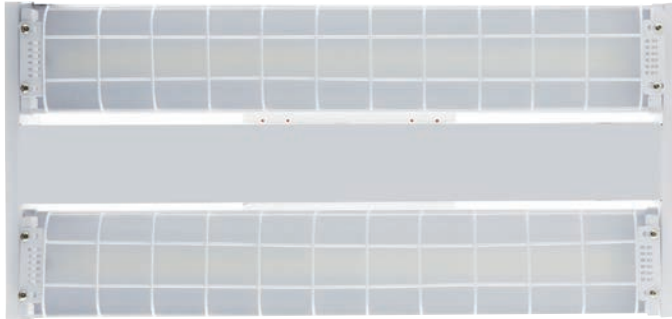
86-217
PIR Sensor



86-218
Microwave
Sensor



86-220
PIR Sensor



Protective Cage
65-652-Set of 2 for 110W,
135W & 165W sizes
65-653-Set of 2 for 220W size



86-219
Remote

Sensors

Item	Description	Finish
86-217	PIR 6 Meter (19.69 foot) Sensor	White
86-220	PIR Sensor 12 Meter (39.4 foot) Sensor	White
86-218	Microwave Sensor 12 Meter (39.4 foot)	White
86-219	IR Programing Remote	Black

Mounting

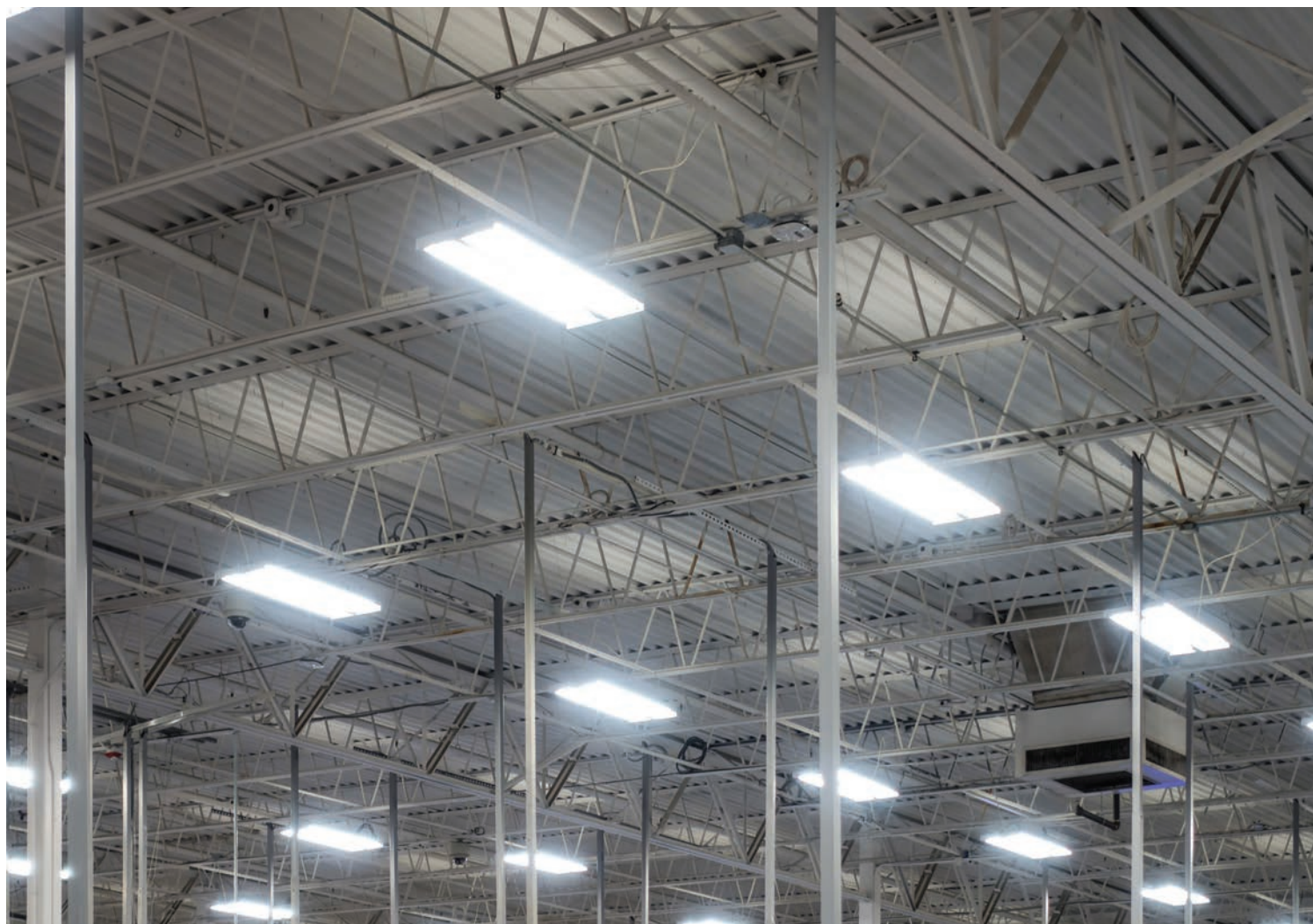
Item	Description	Finish
65-650	Pendant Mount Kit ADJ Hi Bay	White
65-651	Surface Mount Kit ADJ Hi Bay	White
65-652	Protective Cage for 110W/135W/165W ADJ HI Bay - Set of 2	White
65-653	Protective Bage for 220W ADJ HI Bay - Set of 2	White

Emergency Battery Backup

Item	Description	Finish
86-209	EM Battery Back UP ADJ Hi Bay	White

Product sheet NU1606

LED ADJUSTABLE LINEAR HIGH BAY



LINEAR HIGH BAY



Features:

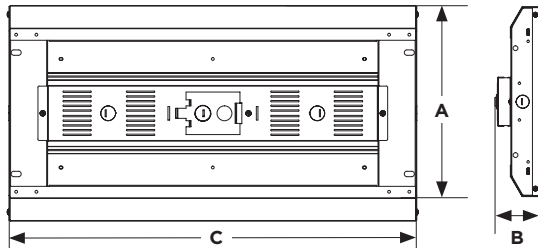
- 80W, 110W, 165W, 225W Options
- 4000K & 5000K Options
- Suspension Chain included - 48"
- V-Clips included
- Operating Temperature -
-20°C to 45°C (-4°F to 113°F)
- 5 Year Warranty



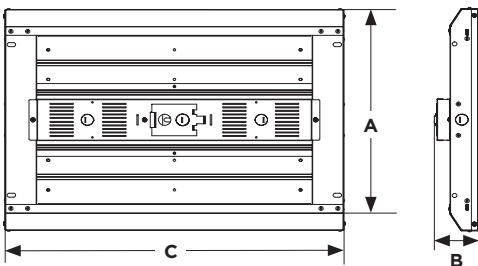
LINEAR HIGH BAY



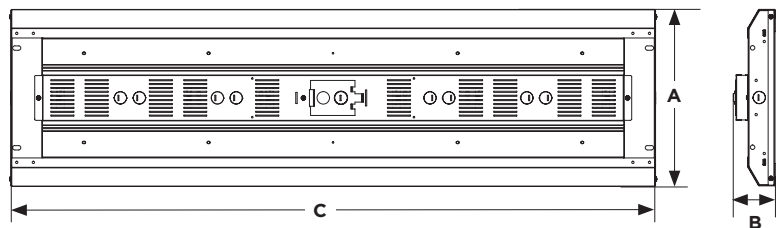
65-501, 60-502, 65-503, 65-504



65-505, 65-506



65-507, 65-508



Optional Pendant / Surface Mount Kit 65-497



Optional Protective Cage
65-498 (2'/80W & 100W)
65-499 (2'/165W)
65-500 (4'/225W)



MW Sensor 86-202R



Remote 86-214



PIR Sensor 86-211

Item	Watts	CCT	Lumens	(A) Width	(B) Height	(C) Length
65-501	80W	4000K	10400	12.6"	2.99"	23.82"
65-502	80W	5000K	10400	12.6"	2.99"	23.82"
65-503	110W	4000K	14300	12.6"	2.99"	23.82"
65-504	110W	5000K	14300	12.6"	2.99"	23.82"
65-505	165W	4000K	21450	17.32"	2.99"	23.82"
65-506	165W	5000K	21450	17.32"	2.99"	23.82"
65-507	225W	4000K	29250	12.6"	2.99"	45.87"
65-508	225W	5000K	29250	12.6"	2.99"	45.87"

Accessories

65-498	2 FT Wire Guard - White	For 80W & 110W
65-499	2 FT Wire Guard - White	For 165W
65-500	4FT Wire Guard - White	For 225W
86-202R	Add on Microwave Sensor - White	
86-214	Remote for 86-202R - White	
86-211	PIR Sensor - White	
65-497	Pendant/Surface Mount Kit - White	

Consult Satco or visit www.satco.com for an up-to-date dimmer compatibility list. See warranty for details.

Product sheet NU1519

Specifications



Certifications



CCT SELECTABLE, WATTAGE SELECTABLE STRIPS

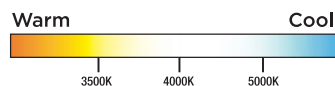


Features:

- 3500K/4000K/5000K Selectable
- 0-10V Dimmable▲
- Wattage Selectable Versions
- Multiple Mounting Options
- Flicker-Free Driver
- 2kV Surge Protection
(3kV 65-703R1, 65-1703R1)
- Operating Temperature
-20°C to 60°C (-4°F to 140°F)
- 5 Year Warranty

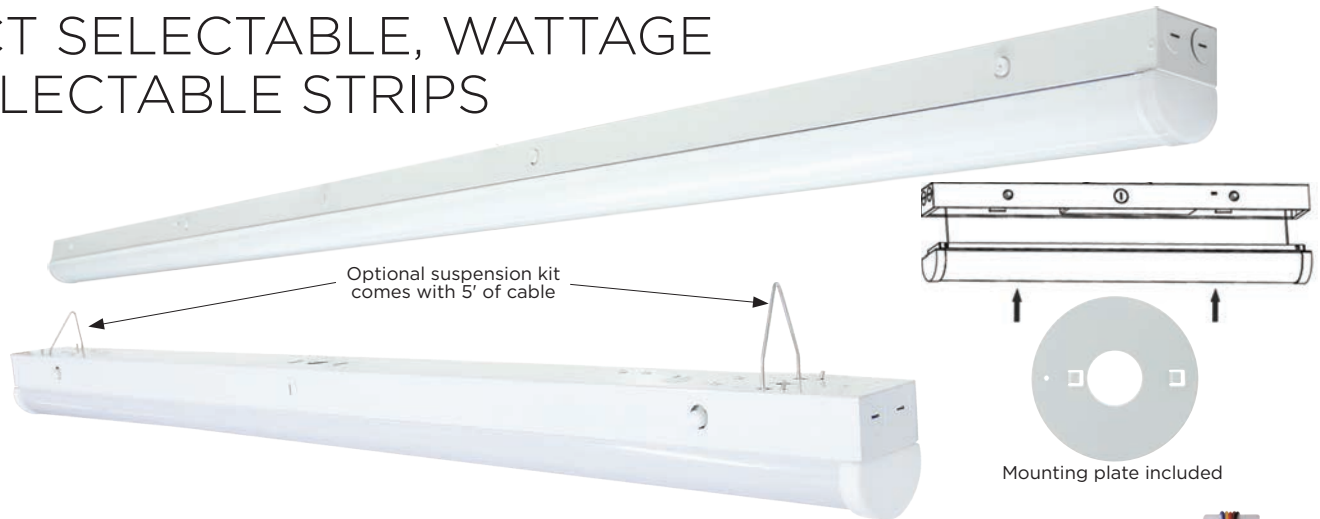


ColorQuick[®]
Selectable Color Technology



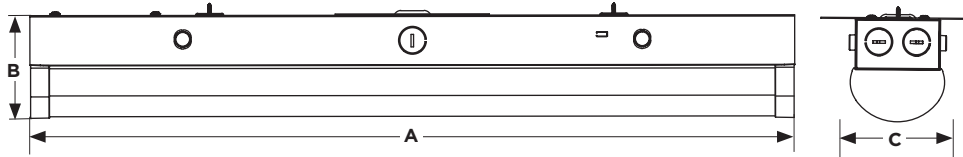
PowerQuick[®]
Wattage Selectable

CCT SELECTABLE, WATTAGE SELECTABLE STRIPS



Integrated MW Sensor has on/off and bi-level dimming capabilities down to 30% or 10%
 3500/4000/5000K CCT selectable
 Selectable Wattage
 30W/40W/50W (65-699)

0-10V Dimming
 65-698 - EM mode: 4W/90 min.
 run time 65-699 - EM mode: 8W/90 min. run time
 2KV Surge Protection



Specifications



Certifications



Item	Description	Watts	Volts	CCT	Lumens	Surge Protection	(A) Length	(B) Width	(C) Height
**65-698	2' Linear Strip w/ EM & Sensor	20W	100-277V	3500K/4000K/5000K	2735-2830	2kV	24"	2.95"	3.27"
**65-699	4' Linear Strip w/ EM & Sensor	30W/40W/50W	100-277V	3500K/4000K/5000K	3900-6750	2kV	48"	2.95"	3.27"
65-700R1	2' Linear Strip	15W/20W/25W	100-277V	3500K/4000K/5000K	1950-3500	2kV	24"	2.95"	3.27"
65-701	4' Linear Strip	30W/40W/50W	100-277V	3500K/4000K/5000K	3900-6750	2kV	48"	2.95"	3.27"
65-702	8' Linear Strip	30W/40W/50W	100-277V	3500K/4000K/5000K	3900-6750	2kV	96"	2.95"	3.27"
65-703R1	8' High Lumen Linear Strip	60W/70W/80W	120-347V	3500K/4000K/5000K	7800-11200	3kV	96"	2.95"	3.27"
65-1700R1	2' Linear Strip w/Sensor	15W/20W/25W	120-277V	3500K/4000K/5000K	2735-2830	2kV	24"	2.95"	3.27"
65-1701	4' Linear Strip w/Sensor	30W/40W/50W	120-277V	3500K/4000K/5000K	1950-3500	2kV	48"	2.95"	3.27"
65-1702	8' Linear Strip w/Sensor	30W/40W/50W	120-277V	3500K/4000K/5000K	3900-6750	2kV	96"	2.95"	3.27"
65-1703R1	8' Linear Strip w/Sensor	60W/70W/80W	120-347V	3500K/4000K/5000K	7800-11200	3kV	96"	2.95"	3.27"

Accessories

65-706	2' & 4' Suspension Kit
65-707	8' Suspension Kit
65-708	Emergency Backup Battery – 8W/1440lm/90 Minute Run Time (not for use with 65-700R1)
86-202R	Microwave Sensor – White
86-211	PIR Sensor – White
86-214	Remote for 86/202R

**Emergency

*Consult Satco or visit www.satco.com for an up-to-date dimmer compatibility list. See warranty for details.

Product sheet NU1629

VAPOR TIGHT CCT SELECTABLE

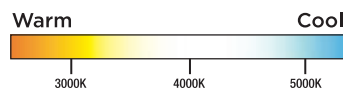


Features:

- CCT Selectable - 3000K/4000K/5000K
- Wattage selectable versions
- Rugged enclosure
- Operating temperature:
-40°C to 45°C (-40°F to 113°F)
- 120° Beam angle

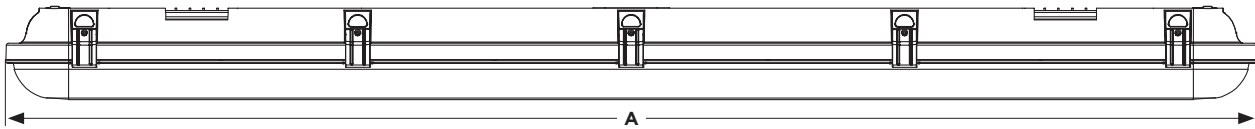


ColorQuick[®]
Selectable Color Technology

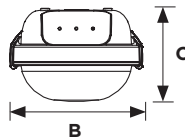


PowerQuick[®]
Wattage Selectable

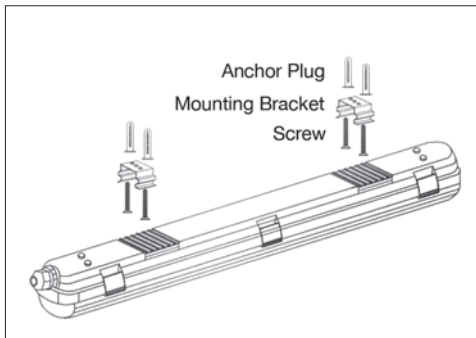
VAPOR TIGHT CCT SELECTABLE



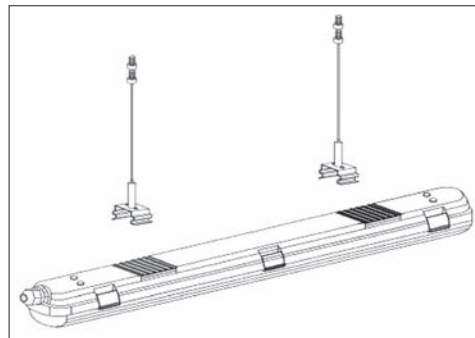
IP68 Connector



Surface installation



Suspension installation



Item	Description	Watts	CCT Selectable	Lumens	(A) Length	(B) Width	(C) Height
*65-820R1	2' - Gray	20W	3000K/4000K/5000K	2164 - 2505	23.62"	4.92"	3.46"
**65-821R1	4' - Gray	40W/50W/60W	3000K/4000K/5000K	5360 - 7991	47.24"	4.92"	3.46"
**65-822R1	8' - Gray	40W/50W/60W	3000K/4000K/5000K	6400 - 9360	94.49"	4.33"	3.46"
65-823R1	2' w/ Sensor - Gray	20W	3000K/4000K/5000K	2164 - 2505	23.62"	4.92"	3.46"
*65-824R1	4' w/ Sensor - Gray	40W/50W/60W	3000K/4000K/5000K	5360 - 7991	47.24"	4.92"	3.46"
*65-825R1	8' w/ Sensor - Gray	50W/60W/72W	3000K/4000K/5000K	6400 - 9360	94.49"	4.33"	3.46"
Accessories							
65-826	2' & 4' Vapor Tight Suspension Kit - 3' Cable Length						
65-827	8' Vapor Tight Suspension Kit - 3' Cable Length						

*Wattage Selectable
 †Consult Satco or visit www.satco.com for an up-to-date dimmer compatibility list.
 See warranty for details.

Product sheet NU1470

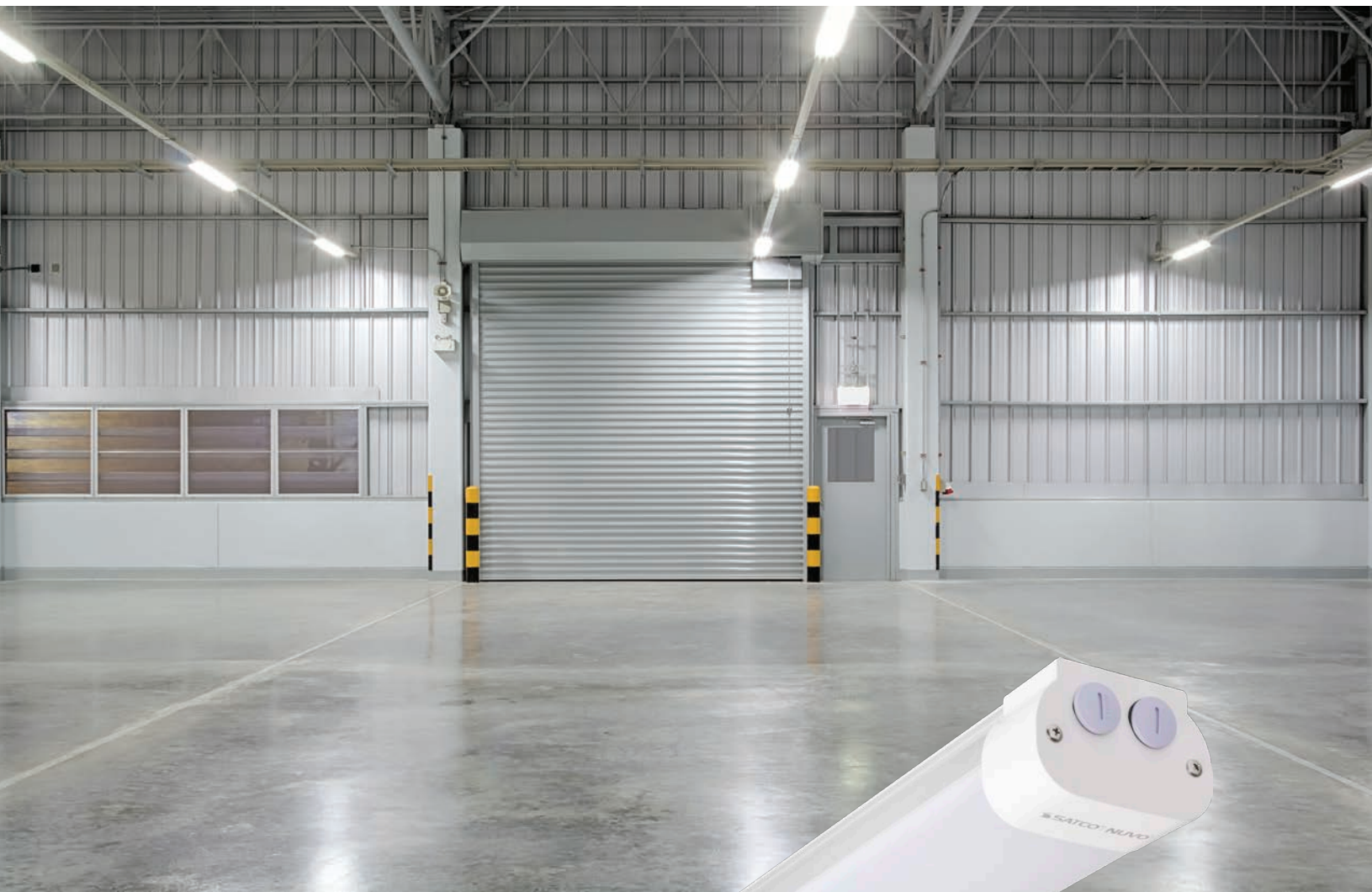
Specifications



Certifications



TRI-PROOF CCT AND WATTAGE SELECTABLE

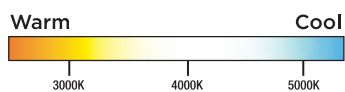


Features:

- CCT Selectable - 3000K/4000K/5000K
- Wattage Selectable Versions
- Rugged Enclosure
- Operating Temperature:
-40°C to 45°C (-40°F to 113°F)
- 115° Beam Angle

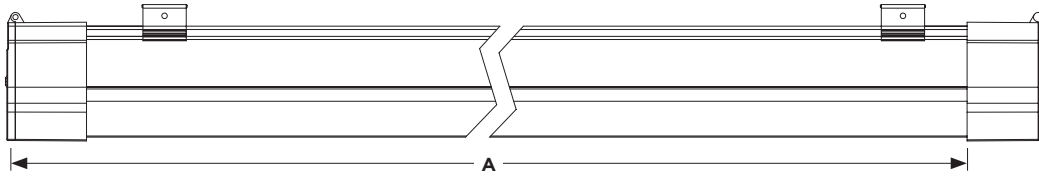


ColorQuick®
Selectable Color Technology



PowerQuick®
Wattage Selectable

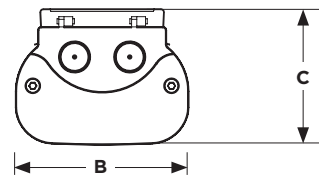
TRI-PROOF CCT AND WATTAGE SELECTABLE



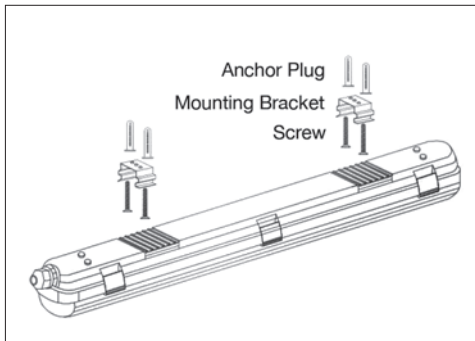
Tri-Proof:
Water/Dust
Proof
Vandal Proof
Anti-corrosion



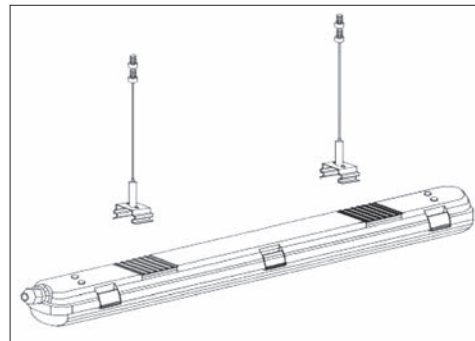
IP68 Connector



Surface installation



Suspension installation



Specifications



Certifications



Item	Description	Watts	CCT Selectable	Lumens	(A) Length	(B) Width	(C) Height
*65-830R1	2' - Gray	20W	3000K/4000K/5000K	2065 - 2249	23.62"	3.98"	3.11"
**65-831R1	4' - Gray	40W/50W/60W	3000K/4000K/5000K	5040 - 7669	47.24"	3.98"	3.11"
65-832R1	2' w/ Sensor - White/Gray	20W	3000K/4000K/5000K	2065 - 2249	23.62"	3.98"	3.11"
*65-833R1	4' w/ Sensor - White/Gray	40W/50W/60W	3000K/4000K/5000K	5040 - 7669	47.24"	3.98"	3.11"

Accessories

65-828 2' & 4' Tri-Proof Suspension Kit - 3' Cable Length

*Wattage Selectable

†Consult Satco or visit www.satco.com for an up-to-date dimmer compatibility list.

See warranty for details.

Product sheet NU1470

DUAL T8 LAMP READY FIXTURE CHANNELS



Features:

- Traditional Footprint
- Economical Cost Savings
- Surface Mount or Suspension
- Rugged, Steel Construction
- White Finish
- Pre-Wired Tombstone Sockets
- Multiple Knockout for Tandem Installations

DUAL T8 LAMP READY FIXTURE CHANNELS



OPTIONAL ACCESSORIES



Cambered Protective Cage
Available in 2', 3' & 4'

*Cambered Protective Cages cannot be attached without the Reflector



3' Empty Body
Suspension Kit



Add-On Reflector
Available in 2', 3' & 4'

2', 3', and 4' Fixtures

Item	Description	Dimensions	Finish
65-910	2' Dual T8 Fixture Channel	L:23.60 W:4.64 H:3.00	White
65-911	3' Dual T8 Fixture Channel	L:35.40 W:4.64 H:3.00	White
65-912	4' Dual T8 Fixture Channel	L:47.24 W:4.64 H:3.00	White

Accessories

Item	Description
65-913	2' Add-On Reflector
65-914	3' Add-On Reflector
65-915	4' Add-On Reflector
*65-916	2' Cambered Protective Cage
*65-917	3' Cambered Protective Cage
*65-918	4' Cambered Protective Cage
65-919	3' Empty Body Suspension Kit

*Cambered Protective Cages cannot be attached without the Reflector Product sheet NU1728
Consult Satco or visit www.satco.com for an up-to-date dimmer compatibility list.
See warranty for details.

Specifications



Certifications



LED 18" WRAP FIXTURE DUAL GFCI | CCT SELECTABLE

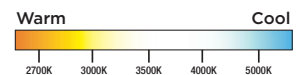


Features:

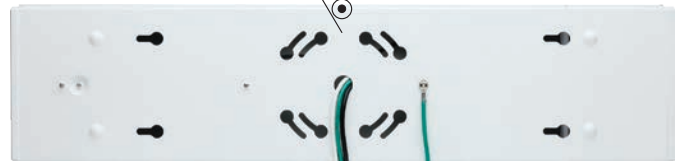
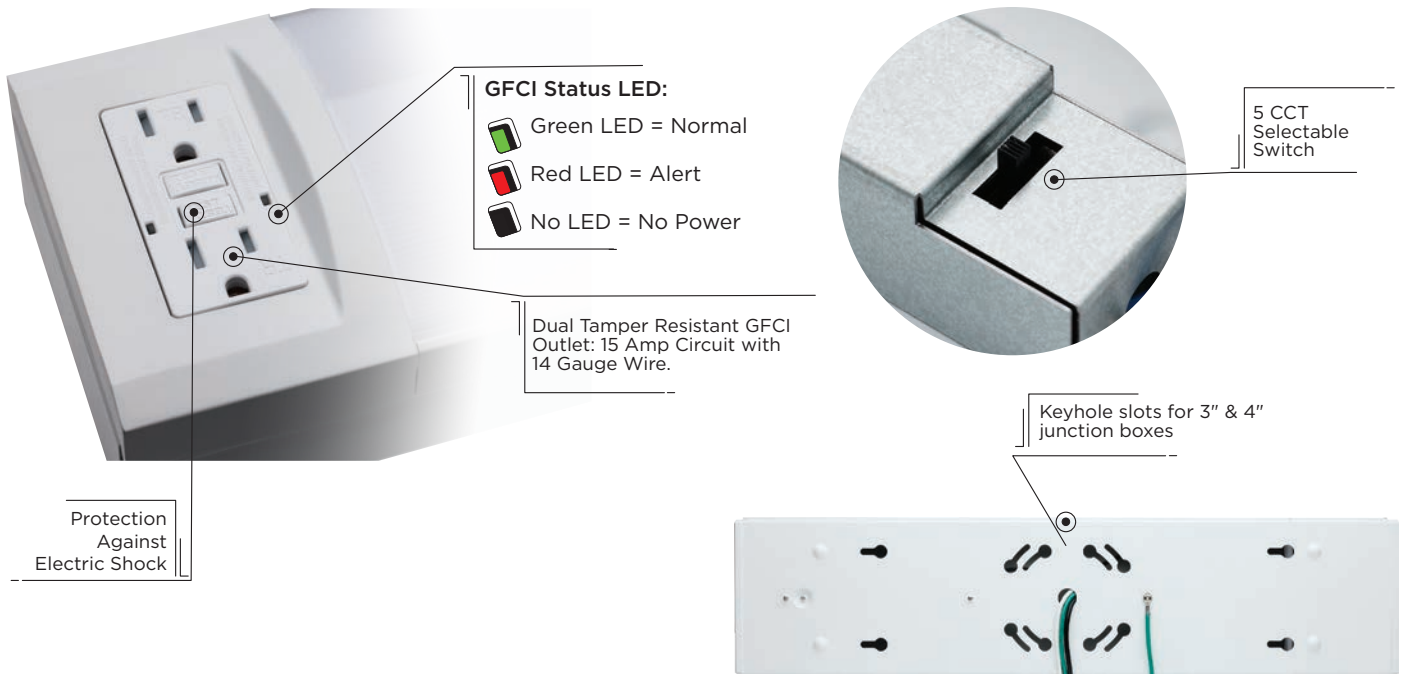
- Integrated 15 AMP Convenience Outlets
- 5 CCT Selectable
- 90 CRI HIGH Quality Illumination
- ADA Compliant
- Tamper Resistant Dual GFCI



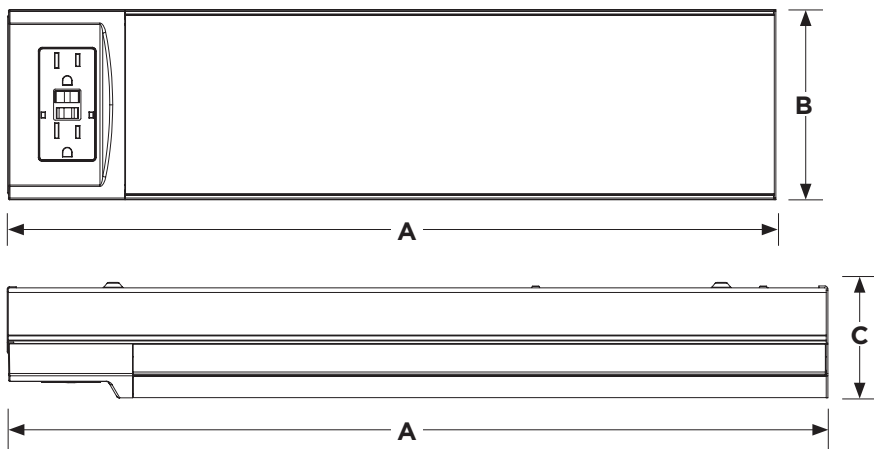
ColorQuick[®]
Selectable Color Technology



LED 18" WRAP FIXTURE DUAL GFCI | CCT SELECTABLE



Rear Panel Mount



Item	Lumens	Watts	Input Current	CCT Selectable	Beam Angle	(A) Length	(B) Width	(C) Ext.
62-700	1298-1391	14W	0.12A	2700K/3000K/3500K/4000K/5000K	110°	18.00"	4.40"	2.51"

Specifications

- 120 VOLT
- 110° BEAM
- DAMP LOCATION
- 2KV SURGE PROTECTION
- 50,000 HOURS
- 5 YEAR WARRANTY

Certifications

- ETL LISTED
- FC
- RoHS COMPLIANT

See warranty for details.

Product sheets SN1694

LED WRAP FIXTURES STANDARD | PULL CHAIN | SENSOR | CCT SELECTABLE

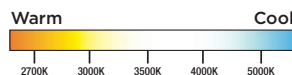


Features:

- 5 CCT Selectable
- 90 CRI High Quality Illumination
- Rated for use in Closets
- Complies w/NEC 410.16 (A)(3) & NEC 410.16 (C) (3)
- Standard, Pull Chain and Sensor Styles



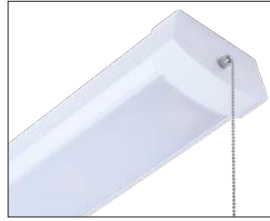
ColorQuick[®]
Selectable Color Technology



LED WRAP FIXTURES STANDARD | PULL CHAIN | SENSOR | CCT SELECTABLE



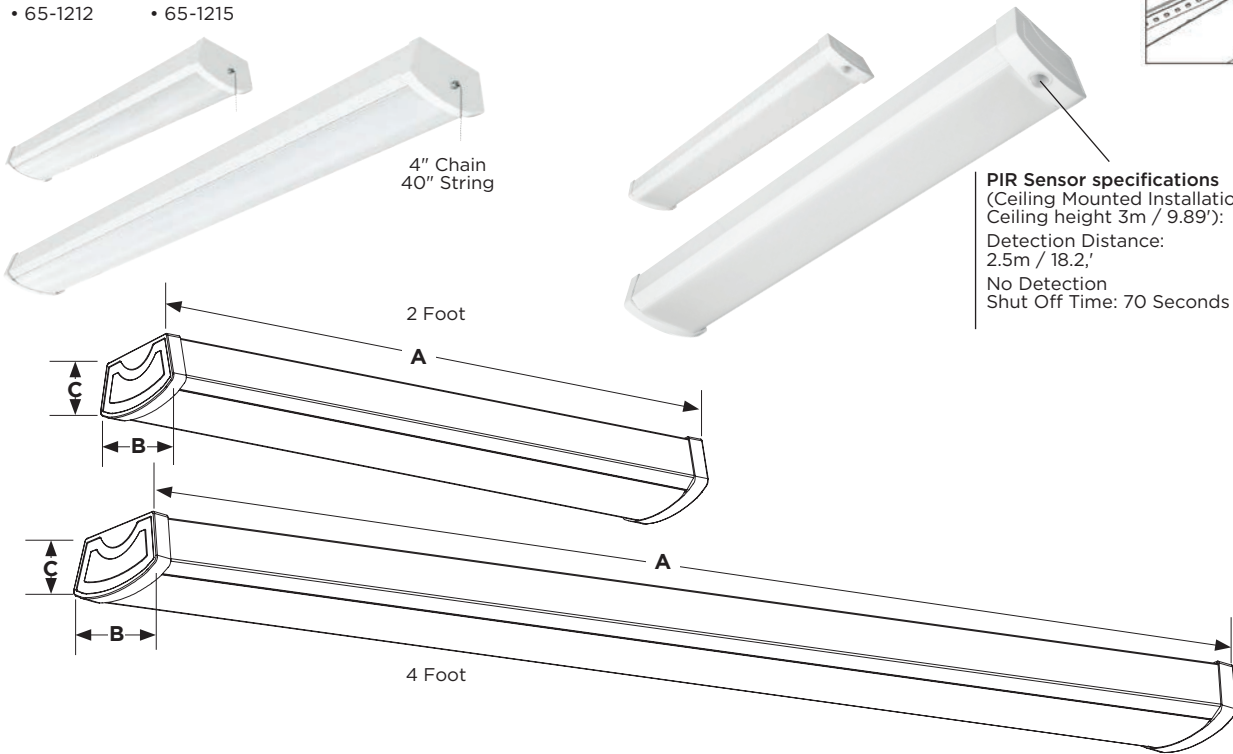
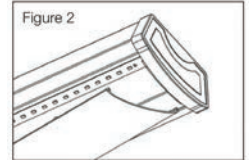
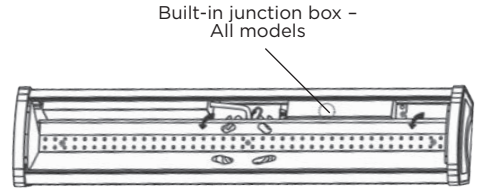
CCT Selectable Switch
 • 65-1210 • 65-1213
 • 65-1211 • 65-1214
 • 65-1212 • 65-1215



Pull Chain Models
 • 65-1212
 • 65-1213



PIR Sensor Models
 • 65-1214
 • 65-1215



Item	Description	Watts	Volts	CCT	Lumens
65-1210	2 Ft./ Standard	20W	120V-277V	2700K/3000K/3500K/4000K/5000K	1650
65-1211	4 Ft./ Standard	39W	120V-277V	2700K/3000K/3500K/4000K/5000K	3400
65-1212	2 Ft./ Pull Chain	20W	120V	2700K/3000K/3500K/4000K/5000K	1650
65-1213	4 Ft./ Pull Chain	39W	120V	2700K/3000K/3500K/4000K/5000K	3400
65-1214	2 Ft./ PIR Sensor	20W	120V-277V	2700K/3000K/3500K/4000K/5000K	1650
65-1215	4 Ft./ PIR Sensor	39W	120V-277V	2700K/3000K/3500K/4000K/5000K	3400

Dimensions

Item	Length (A)	Width (B)	Height (C)
65-1210	24.33"	5.50"	2.56"
65-1211	47.24"	5.50"	2.56"
65-1212	24.77"	5.50"	2.56"
65-1213	47.68"	5.50"	2.56"
65-1214	24.33"	5.50"	2.79"
65-1215	47.24"	5.50"	2.79"

See warranty for details.

Specifications



Certifications



Product sheet NUI723

DOUBLE STRIP LIGHTS



Features:

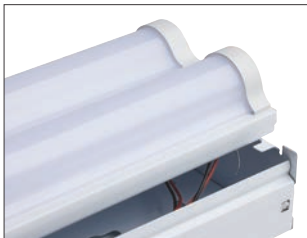
- High Lumen output 110 LPW
- Damp Location Rated
- 2KV Surge Protection
- 50,000 Hours
- 5 Year Warranty
- ENERGY STAR Certified



DOUBLE STRIP LIGHTS



86-211 PIR Sensor



Easy Installation



65-1070



65-1071



65-1072

Both 2' & 4' sizes have (5) 1/2" knockouts. One on either end and three along the back including one in the center.

Item	Description	Watts	CCT	Lumens
65-1070	2' LED Double Strip Light	20W	4000K	2200
65-1071	4' LED Double Strip Light	43W	4000K	4750
65-1072	8' LED Double Strip Light	78W	4000K	9000
Accessories				
86-211	PIR Sensor - White			
65-1073	2' & 4' Suspension Kit - 5' Length			
65-1074	8' Suspension Kit - 5' Length			

See warranty for details.

Product sheet NU1356

Specifications



Certifications



LED STRIP FIXTURES STANDARD | CONNECTABLE | CCT SELECTABLE



Features:

5 CCT Selectable

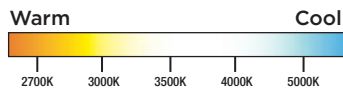
90 CRI High Quality Illumination

Standard Models are Closet Rated
complies w/NEC 410.6 (A)(3) &
NEC 410.6 (C) (5)

Connectable Models are Hard Wire
or Plug-In



ColorQuick[®]
Selectable Color Technology



LED STRIP FIXTURES STANDARD | CONNECTABLE | CCT SELECTABLE



CCT Selectable Switch

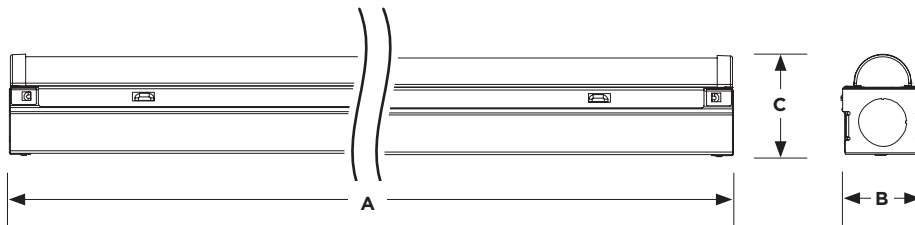
- 65-1220
- 65-1221
- 65-1222
- 65-1223
- 65-1224



Connectability Port

- 65-1222
- 65-1223
- 65-1224

Male to Male Flush Connector Included with Fixture.



Item	Size	Wrap Type	Max Lumens	Wattage	Input Voltage	Closet Rated
65-1220	2FT	Standard	1200	10W	120V-277V	Yes
65-1221	4FT	Standard	2500	19W	120V-277V	Yes
65-1222	1FT	Connectable	1000	10W	120V	No
65-1223	2FT	Connectable	2000	20W	120V	No
65-1224	4FT	Connectable	3100	30W	120V	No

Accessories		
Item	Description	Compatible
65-1225	5 Foot Power Cord	65-1222, 65-1223 & 65-1224
65-1226	8 Inch Male/Male Joiner	65-1222, 65-1223 & 65-1224
65-1227	16 Inch Male/Male Joiner	65-1222, 65-1223 & 65-1224
65-1228	24 Inch Male/Male Joiner	65-1222, 65-1223 & 65-1224

Item	(A) Length	(B) Width	(C) Height
65-1220	22.71"	1.46"	1.88"
65-1221	46.41"	1.46"	1.88"
65-1222	12.13"	1.56"	1.72"
65-1223	22.75"	1.56"	1.72"
65-1224	46.50"	1.56"	1.72"

See warranty for details.

Product sheet SN1724

Specifications



Certifications



BACKLIT FLAT PANELS FIELD SELECTABLE

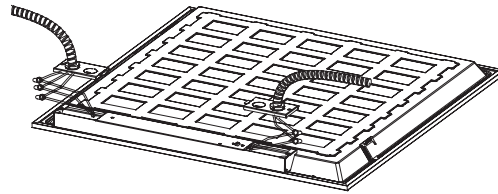
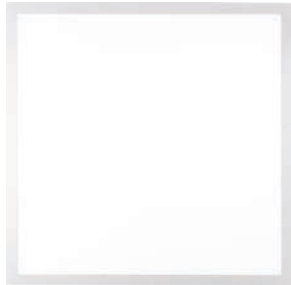


Features:

- CCT Selectable - 3500K/4000K/5000K
- Operating Temperature
-17°C to 45°C (1°F to 113°F)
- Flicker-Free Driver
- Integrated EM Options
- EM Mode - 90 Minute Run Time
- 8W/1000 lumens
- Suitable for 15/16" and 9/16" T-Grid systems
- Recessed, Surface Mount
and Suspension Kits Available
- 5 year Warranty



BACKLIT FLAT PANELS FIELD SELECTABLE



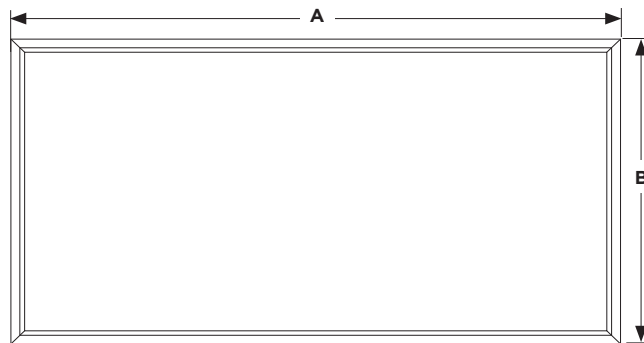
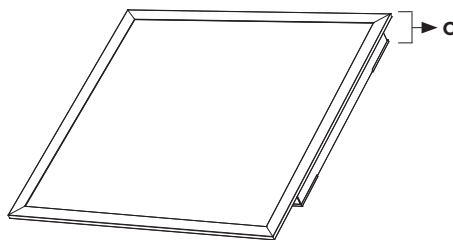
Wattage Selectable



Wattage Selectable



Selectable CCT
3500K, 4000K, 5000K



Specifications



Certifications



Item	Description	Watts	Volts	CCT Selectable	Lumens	(A) Length	(B) Width	(C) Height
65-571R1	2'x2'	20/30/40W	100-277V	3500K/4000K/5000K	2200-4600	23.75"	23.75"	1.5"
65-572R1	2'x4'	30/40/50W	100-277V	3500K/4000K/5000K	3300-5750	47.72"	23.75"	1.5"
65-573R1	1'x4'	20/30/40W	100-277V	3500K/4000K/5000K	2200-4600	47.72"	11.84"	1.5"
65-581R1	2'x2'	20/30/40W	100-347V	3500K/4000K/5000K	2200-4600	23.75"	23.75"	1.5"
65-582R1	2'x4'	30/40/50W	100-347V	3500K/4000K/5000K	3300-5750	47.72"	23.75"	1.5"
65-583R1	1'x4'	20/30/40W	100-347V	3500K/4000K/5000K	2200-4600	47.72"	11.84"	1.5"
65-575R1	2'x2' EM	20/30/40W	100-277V	3500K/4000K/5000K	2200-4600	23.75"	23.75"	3.06"
65-576R1	2'x4' EM	30/40/50W	100-277V	3500K/4000K/5000K	3300-5750	47.72"	23.75"	3.06"
65-577R1	1'x4' EM	20/30/40W	100-277V	3500K/4000K/5000K	2200-4600	47.72"	11.84"	3.09"
65-585R1	2'x2' EM	20/30/40W	100-347V	3500K/4000K/5000K	2200-4600	23.75"	23.75"	2.88"
65-586R1	2'x4' EM	30/40/50W	100-347V	3500K/4000K/5000K	3300-5750	47.72"	23.75"	2.88"
65-587R1	1'x4' EM	20/30/40W	100-347V	3500K/4000K/5000K	2200-4600	47.72"	11.84"	3.09"

Accessories		Dimensions	
65-591	2'x2' Suspension Kit	48" L	
65-592	1'x4' Suspension Kit	48" L	
65-593	2'x4' Suspension Kit	48" L	
65-595R1	1'x4' Frame Kit EM	48" L x 12 11/16" W x 4 5/16" D	
65-596R1	2'x2' Frame Kit EM	24 1/16" L x 24 9/16" W x 4 5/16" D	
65-597R1	2'x4' Frame Kit EM	48" L x 24 9/16" W x 4 5/16" D	
65-588	1'x4' Flange Kit	49 3/16" L x 13 1/4" W x 1 1/2" D	
65-589	2'x2' Flange Kit	25 3/16" L x 25 3/16" W x 1 1/2" D	
65-590	2'x4' Flange Kit	49 3/16" L x 25 3/16" W x 1 1/2" D	
65-598	1'x4' Slim Frame Kit	48 1/16" L x 12 1/16" W x 2 3/8" D	
65-599	2'x4' Slim Frame Kit	23 15/16" L x 48 1/16" W x 2 3/8" D	
65-600	2'x2' Slim Frame Kit	23 15/16" L x 24 1/16" W x 2 3/8" D	

Consult Satco or visit www.satco.com for an up-to-date dimmer compatibility list.
See warranty for details.

Product sheet NU1607

TROFFERS - SINGLE AND DOUBLE BASKET FIELD SELECTABLE

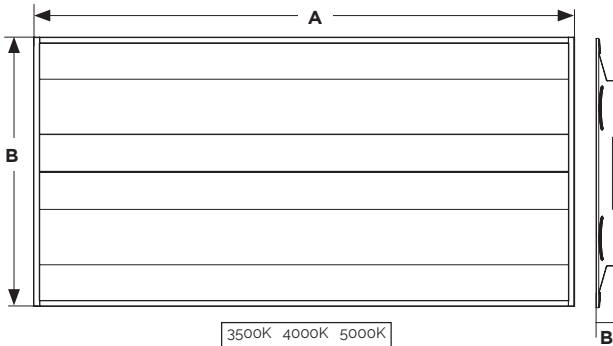
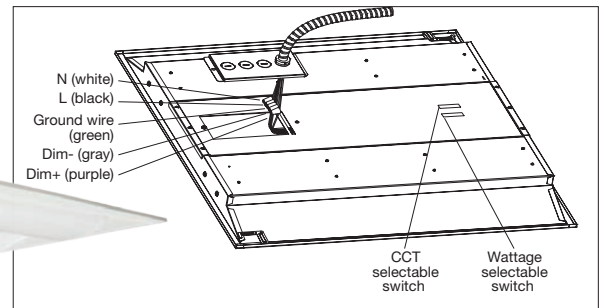
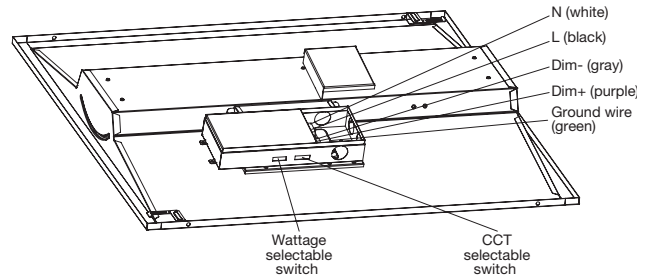


Features:

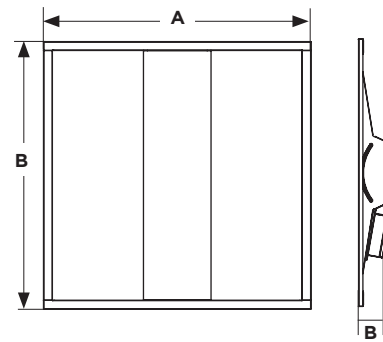
- CCT Selectable -
3500K/4000K/5000K
- Wattage Selectable
- Volumetric Design
- Operating Temperature
-20°C to 40°C
(-4°F to 104°F)
- Flicker-Free Driver
- Drop into T-bar Grid - Suitable for
15/16" and 9/16" T-Grid Systems
- 5 Year Warranty



TROFFERS - SINGLE AND DOUBLE BASKET FIELD SELECTABLE



Selectable CCT
3500K, 4000K, 5000K



Specifications

- 100-277V**
- 0-10V DIMMING**
- DAMP LOCATION**
- 2KV SURGE PROTECTION**
- 50,000 HOURS**

Certifications

- UL CERTIFIED**
- IC RATED**
- DLC LISTED**
- FC**



Item	Description	Watts	CCT Selectable	Lumens	(A) Length	(B) Width	(C) Height
65-690	2x2 Single Basket	30W/35W/40W	3500K/4000K/5000K	3300-4400	23.74"	23.74"	2.61"
65-691	2x4 Single Basket	30W/40W/50W	3500K/4000K/5000K	3300-5500	47.72"	23.74"	2.61"
65-692	2X2 EM Single Basket	30W/35W/40W	3500K/4000K/5000K	3300-4400	23.74"	23.74"	3.02"
65-693	2X4 EM Single Basket	30W/40W/50W	3500K/4000K/5000K	3300-5500	47.72"	23.74"	3.02"
65-694	2x2 Double Basket	30W/35W/40W	3500K/4000K/5000K	3300-4600	23.74"	23.74"	2.61"
65-695	2x4 Double Basket	30W/40W/50W	3500K/4000K/5000K	3300-5750	47.72"	23.74"	2.61"
65-696	2X2 EM Double Basket	30W/35W/40W	3500K/4000K/5000K	3300-4600	23.74"	23.74"	3.02"
65-697	2x4 EM Double Basket	30W/35W/40W	3500K/4000K/5000K	3300-5750	47.72"	23.74"	3.02"

Consult Satco or visit www.satco.com for an up-to-date dimmer compatibility list. See warranty for details.

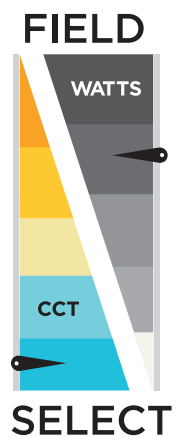
Product sheet NUI628

LED DOWNLIGHT RETROFITS - FIELD SELECTABLE

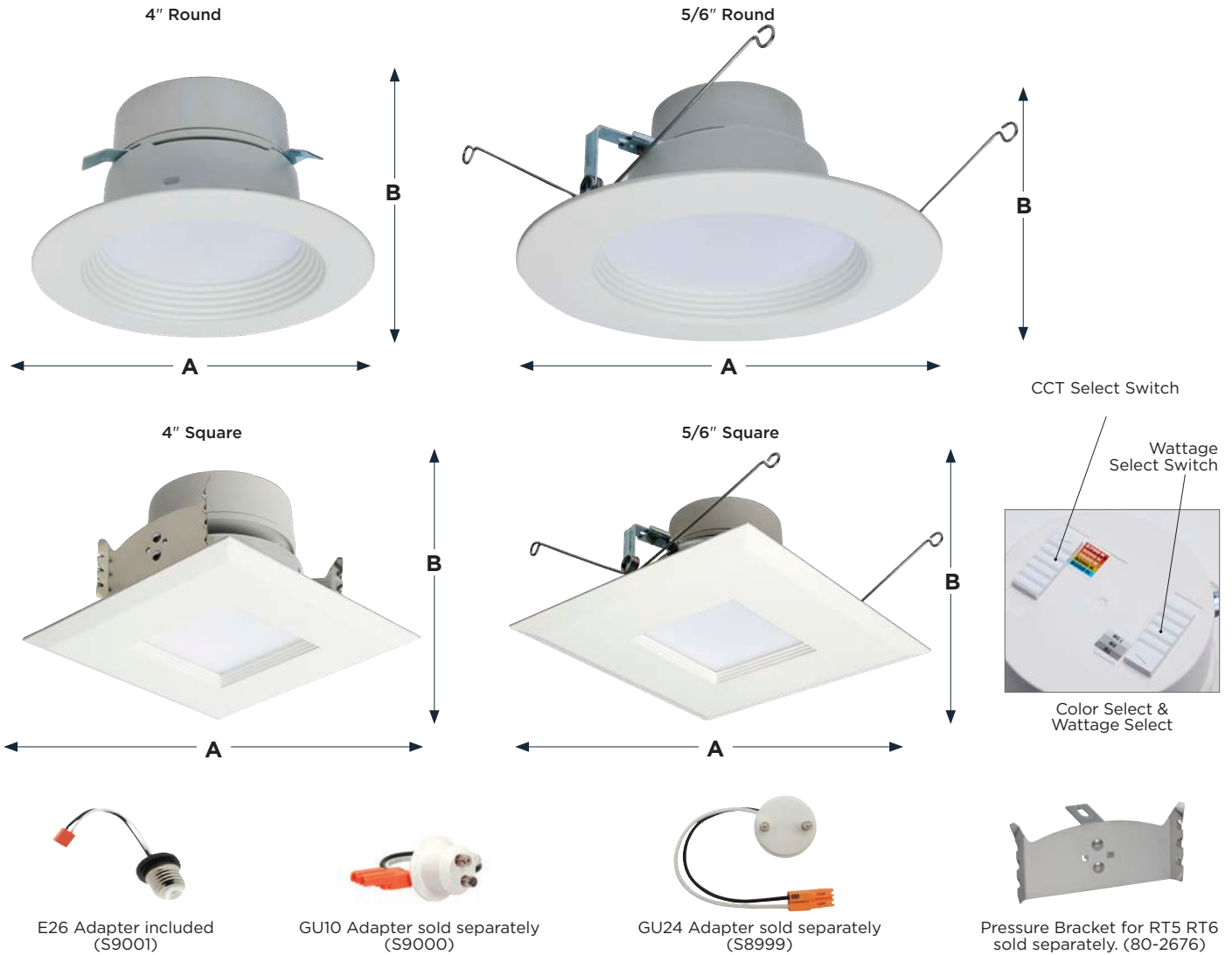


Features:

- High efficiency/environmentally friendly
- 3 wattage selectable
- 5 CCT selectable
- 2 Styles: round & square 2 Styles: for 4" and 5/8" Standard recessed housing
- Dimmable*
- Wet location
- ENERGY STAR® certified
- T20/T24 compliant
- Long life—50,000 hours
- 5 year warranty



LED DOWNLIGHT RETROFITS - FIELD SELECTABLE



Specifications



Certifications



Item	Description	Size	Watts	Lumens	CCT	(A) Width	(B) Height
Round							
S18800	5LED/RDL/4/WS/5CCT/RD	4"	5W/6W/7.5W	500/600/700	2700K/3000K/3500K/4000K/5000K	5.31"	2.90"
S18801	7LED/RDL/5-6/WS/5CCT/RD	5/6"	7W/10W/13W	750/1050/1300	2700K/3000K/3500K/4000K/5000K	7.4"	3.27"
Square							
S18802	5.5LED/RDL/4/WS/5CCT/SQ	4"	5.5W/6.5W/8W	500/600/700	2700K/3000K/3500K/4000K/5000K	5.31"	3.13"
S18803	8LED/RDL/5-6/WS/5CCT/SQ	5/6"	7.5W/10.5W/14.5W	750/1050/1300	2700K/3000K/3500K/4000K/5000K	7.13"	3.37"

*Consult Satco or visit www.satco.com for an up-to-date dimmer compatibility list. See warranty for details.

RETROFIT DOWNLIGHT HIGH LUMEN | SMOOTH BAFFLE | CCT SELECTABLE

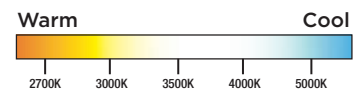


Features:

- CCT Selectable
- High Lumen Output
- 90 CRI for High Quality Lighting
- Round 5 5/8" Downlight with Smooth Baffle, White Trim
- LED ready Quick Connect
- E26 Adapter Included



ColorQuick[®]
Selectable Color Technology



RETROFIT DOWNLIGHT HIGH LUMEN | SMOOTH BAFFLE | CCT SELECTABLE



E26 Adapter Included



CCT Selectable Switch

ACCESSORIES



Specifications



Certifications



Item	Description	Size	Watts	Lumens	CCT	(A) Height	(B) Diameter
S11647	LED/DLR/4/CCT-SEL/RD/WH	4"	10W	820	2700K/3000K/3500K/4000K/5000K	1.86"	5.12"
S11646	LED/DLR/5-6/CCT-SEL/RD/WH	5/6"	12.5W	1100	2700K/3000K/3500K/4000K/5000K	1.97"	7.36"

*Consult Satco or visit www.satco.com for an up-to-date dimmer compatibility list. See warranty for details.

Product sheet SN1460

PLUS SERIES LED DOWNLIGHT RETROFITS - CCT SELECTABLE



Features:

- 5 Selectable CCT Settings
- SKU Reducer - 35 Products, only 7 SKU'S
- 3 Styles: Round, Square & Gimbal
- 2 Sizes: for 4" and 5/6"
- Standard Recessed Housing
- Wet Location (Baffles)
- Damp Location (Gimbals)
- ENERGY STAR® Certified
- T20/T24 Compliant
- Long Life—50,000 Hours
- 5 Year Warranty

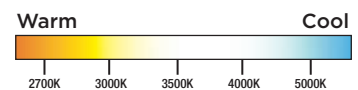


- WARM WHITE - 2700K**
- SOFT WHITE - 3000K**
- NEUTRAL WHITE - 3500K**
- COOL WHITE - 4000K**
- NATURAL LIGHT - 5000K**

Color changeable -
5 color temperature
settings

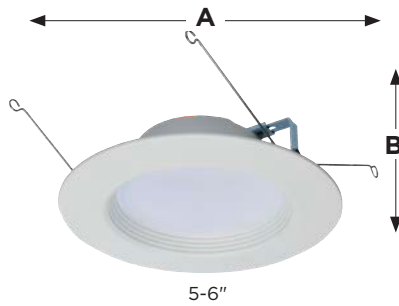
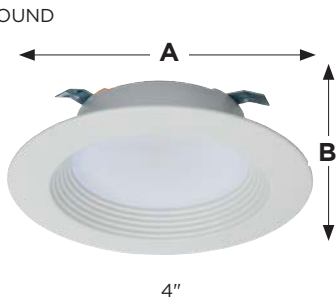


ColorQuick®
Selectable Color Technology

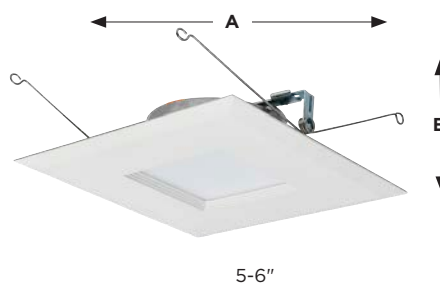
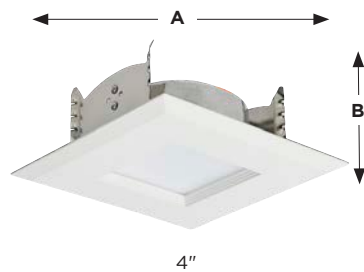


PLUS SERIES LED DOWNLIGHT RETROFITS - CCT SELECTABLE

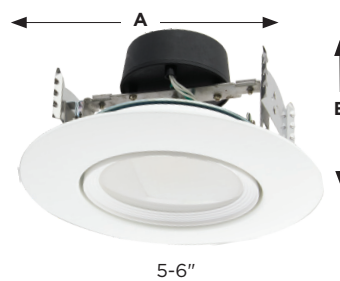
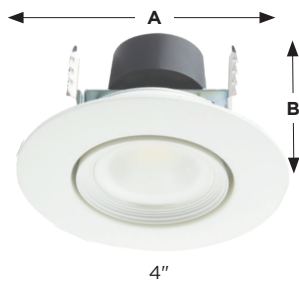
ROUND



SQUARE



GIMBAL



- WARM WHITE - 2700K
- SOFT WHITE - 3000K
- NEUTRAL WHITE - 3500K
- COOL WHITE - 4000K
- NATURAL LIGHT - 5000K



E26 Adapter included (S9001)

GU10 Adapter sold separately (S9000)

GU24 Adapter sold separately (S8999)

Pressure Bracket sold separately (80-2676)

Specifications



Certifications



Item	Description	Size	Watts	CCT Selectable	Lumens	(A) Width	(B) Height
Round							
S11800R1*‡	LED/RDL/4/CCT-SEL/120V	4"	6.7	2700K/3000K/3500K/4000K/5000K	600	5.31"	1.83"
S11801R1*‡	LED/RDL/5-6/CCT-SEL/120V	5/6"	9	2700K/3000K/3500K/4000K/5000K	800	7.4"	2.32"
S11825R1*‡	LED/RDL/5-6/CCT-SEL/120V	5/6"	13.7	2700K/3000K/3500K/4000K/5000K	1200	7.4"	2.32"
Square							
S11820R1*‡	LED/RDL/SQ/4/CCT-SEL/120V	4"	6.7	2700K/3000K/3500K/4000K/5000K	600	5.31"	2.21"
S11821R1*‡	LED/RDL/SQ/5-6/CCT-SEL/120V	5/6"	9	2700K/3000K/3500K/4000K/5000K	800	7.13"	2.24"
Gimbal							
S11822*°	LED/DIR/4/60°/CCT-SEL/120V	4"	7.5	2700K/3000K/3500K/4000K/5000K	600	6.02"	3.54"
S11824*°	LED/DIR/5-6/90°/CCT-SEL/120V	5/6"	10.5	2700K/3000K/3500K/4000K/5000K	800	7.4"	3.9"

*Consult Satco or visit www.satco.com for an up-to-date dimmer compatibility list.

Product sheet SA3024

LED DOWNLIGHT RETROFITS - COLOR TRIMS CCT SELECTABLE



- WARM WHITE - 2700K
- SOFT WHITE - 3000K
- NEUTRAL WHITE - 3500K
- COOL WHITE - 4000K
- NATURAL LIGHT - 5000K

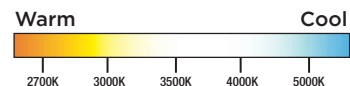
Color changeable -
5 color temperature
settings

Features

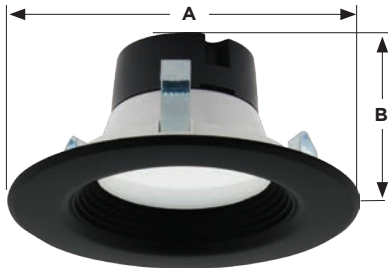
- 5 Selectable CCT Settings
- 3 New Trim Finishes—
Black, Bronze and Brushed Nickel
- 2 Sizes - 4" and 5/6"
- Standard Recessed Housings
- Wet Location
- Dimmable
- Energy Star Certified
- 50,000 Hours



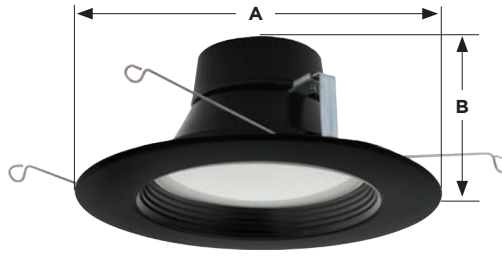
ColorQuick[®]
Selectable Color Technology



LED DOWNLIGHT RETROFITS - COLOR TRIMS CCT SELECTABLE



4" BLACK



5-6" BLACK



4" BRUSHED NICKEL



5-6" BRUSHED NICKEL



4" BRONZE



5-6" BRONZE



E26 Adapter included (S9001)

GU10 Adapter sold separately (S9000)

GU24 Adapter sold separately (S8999)

Pressure Bracket sold separately (80-2676)

Specifications



Certifications



Item	Description	Watts	CCT Selectable	Beam	Lumen	(A) Width	(B) Height
4"							
S11832R1	LED/RDL/4/CCT-SEL/120V/BL	6.7W	2700K/3000K/3500K/4000K/5000K	90°	600	5.31"	1.83"
S11833R1	LED/RDL/4/CCT-SEL/120V/BN	6.7W	2700K/3000K/3500K/4000K/5000K	90°	600	5.31"	1.83"
S11834R1	LED/RDL/4/CCT-SEL/120V/BZ	6.7W	2700K/3000K/3500K/4000K/5000K	90°	600	5.31"	1.83"
5/6"							
S11835R1	LED/RDL/5-6/CCT-SEL/120V/BL	9W	2700K/3000K/3500K/4000K/5000K	90°	800	7.41"	2.32"
S11836R1	LED/RDL/5-6/CCT-SEL/120V/BN	9W	2700K/3000K/3500K/4000K/5000K	90°	800	7.41"	2.32"
S11837R1	LED/RDL/5-6/CCT-SEL/120V/BZ	9W	2700K/3000K/3500K/4000K/5000K	90°	800	7.41"	2.32"

Product sheet SA2380

PLUS SERIES DOWNLIGHTS RETROFITS - COLOR TRIM GIMBALS CCT SELECTABLE

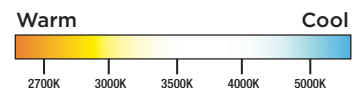


Features

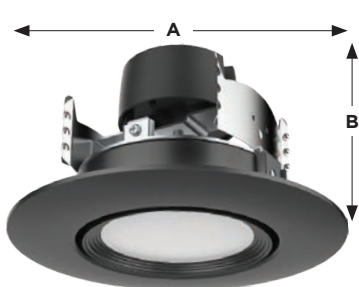
- 5 Selectable CCT Settings
- 3 New Trim Finishes - Black, Bronze and Brushed Nickel
- 2 Sizes—4" and 5/6" Standard Recessed Housing
- IC Rated
- Damp Location
- 50,000 Hours
- 5 Year Warranty



ColorQuick[®]
Selectable Color Technology



PLUS SERIES DOWNLIGHTS RETROFITS - COLOR TRIM GIMBALS CCT SELECTABLE



S11854 / 4" BLACK



S11857 / 5-6" BLACK

Color changeable -
5 color temperature settings

- WARM WHITE - 2700K**
- SOFT WHITE - 3000K**
- NEUTRAL WHITE - 3500K**
- COOL WHITE - 4000K**
- NATURAL LIGHT - 5000K**



S11855 / 4" BRUSHED NICKEL



S11858 / 5-6" BRUSHED NICKEL



E26 Adapter included
(S9001)

GU10 Adapter
sold separately (S9000)

GU24 Adapter
sold separately (S8999)

Torsion Springs
sold separately (80-2709)



S11856 / 4" BRONZE



S11859 / 5-6" BRONZE

Specifications



Certifications



Item	Description	Watts	Finish	CCT	Lumens	Beam Angle	(A) Width	(B) Height
4"								
S11854	LED/DIR/4/60'/CCT-SEL/120V	7.5W	BK	2700K/3000K/3500K/4000K/5000K	600	60°	6.02"	3.54"
S11855	LED/DIR/4/60'/CCT-SEL/120V	7.5W	BN	2700K/3000K/3500K/4000K/5000K	600	60°	6.02"	3.54"
S11856	LED/DIR/4/60'/CCT-SEL/120V	7.5W	BR	2700K/3000K/3500K/4000K/5000K	600	60°	6.02"	3.54"
5-6"								
S11857	LED/DIR/5-6/CCT-SEL/120V	10.5W	BK	2700K/3000K/3500K/4000K/5000K	800	90°	7.4"	3.9"
S11858	LED/DIR/5-6/CCT-SEL/120V	10.5W	BN	2700K/3000K/3500K/4000K/5000K	800	90°	7.4"	3.9"
S11859	LED/DIR/5-6/CCT-SEL/120V	10.5W	BR	2700K/3000K/3500K/4000K/5000K	800	90°	7.4"	3.9"

*Consult Satco or visit www.satco.com for an up to date dimmer compatibility list.

Product sheet SA2896

PRO SERIES LED RETROFIT DOWNLIGHTS DEEP STEPPED BAFFLE | FIELD SELECTABLE

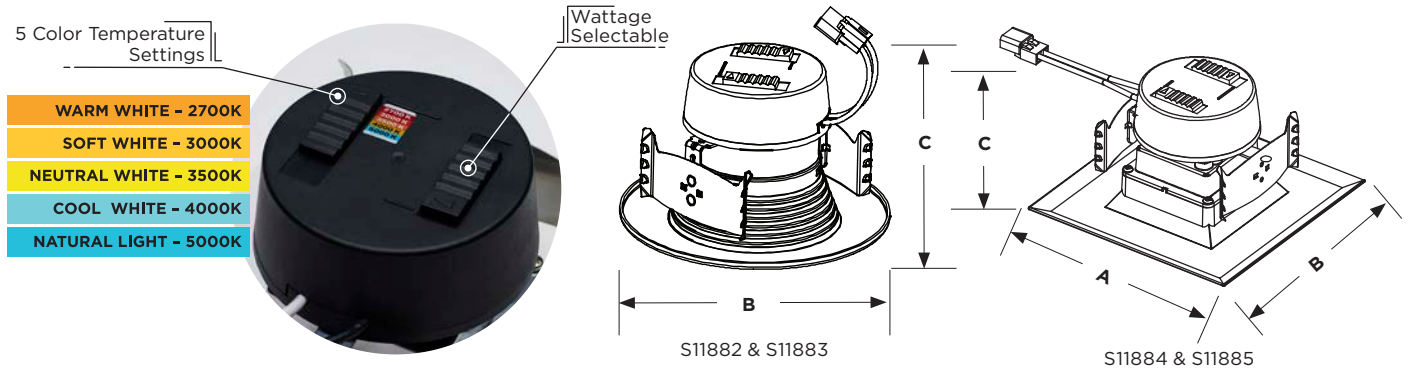


Features:

- Field Selectable (CCT & Wattage)
- Deep stepped baffle for reduced glare
- Offered in 4" & 5/6" sizes both Round and Square
- E26 Adapter Included
- Wet Location Rated
- Optional Color Trims sold separately



PRO SERIES LED RETROFIT DOWNLIGHTS DEEP STEPPED BAFFLE | FIELD SELECTABLE



Specifications



Certifications



Item	Description	Watts	CCT Selectable	Lumen	(A) Length	(B) Width	(C) Height
Round							
S11882	LED/DLR/4/WS/5CCT/RD/DB	5.8W/7W/9.5W	2700K/3000K/3500K/4000K/5000K	600/750/900	-	5.12"	3.25"
S11883	LED/DLR/5-6/WS/5CCT/RD/DB	8W/10.5W/13.5W	2700K/3000K/3500K/4000K/5000K	800/1000/1200	-	7.20"	4.31"
Square							
S11884	LED/DLR/4/WS/5CCT/SQ/DB	5.8W/7W/9.5W	2700K/3000K/3500K/4000K/5000K	600/750/900	5.31"	5.31"	3.07"
S11885	LED/DLR/5-6/WS/5CCT/SQ/DB	8W/10.5W/13.5W	2700K/3000K/3500K/4000K/5000K	800/1000/1200	7.31"	7.31"	4.21"

DEEP BAFFLE TRIMS

Item	Description	For Use With	Finish
80-974	Deep Baffle 4" Round Trim - Black	S11882	Black
80-975	Deep Baffle 4" Round Trim - Bronze	S11882	Bronze
80-976	Deep Baffle 4" Round Trim - Brushed Nickel	S11882	Brushed Nickel
80-977	Deep Baffle 5/6" Round Trim - Black	S11883	Black
80-978	Deep Baffle 5/6" Round Trim - Bronze	S11883	Bronze
80-979	Deep Baffle 5/6" Round Trim - Brushed Nickel	S11883	Brushed Nickel
80-990	Deep Baffle 4" Square Trim - Black	S11884	Black
80-991	Deep Baffle 4" Square Trim - Bronze	S11884	Bronze
80-992	Deep Baffle 4" Square Trim - Brushed Nickel	S11884	Brushed Nickel
80-993	Deep Baffle 5/6" Square Trim - Black	S11885	Black
80-994	Deep Baffle 5/6" Square Trim - Bronze	S11885	Bronze
80-995	Deep Baffle 5/6" Square Trim - Brushed Nickel	S11885	Brushed Nickel

*Consult Satco or visit www.satco.com for an up to date dimmer compatibility list.

Product sheet SN1512

PERFORMER SERIES DOWNLIGHT RETROFITS | SMOOTH TRIM | CCT-SELECTABLE



Features:

- Direct Replacement for Reflector Lamps
- High Efficiency/Environmentally Friendly
- Dimmable*
- Wet Location
- c-UL-us Classified
- Long life—35,000 Hours
- 3 Year Warranty

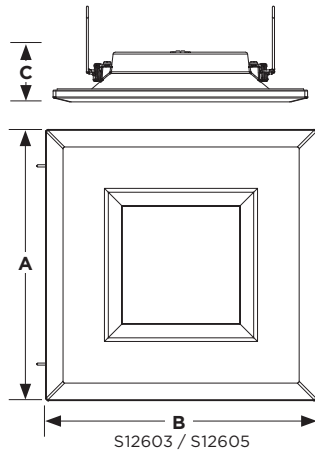
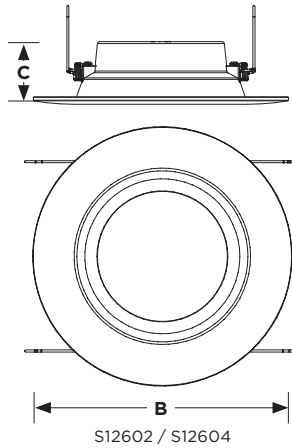
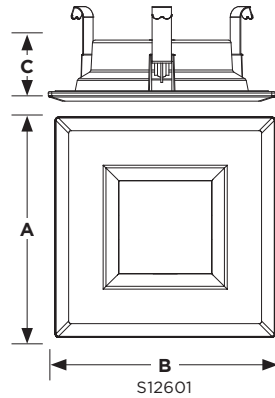
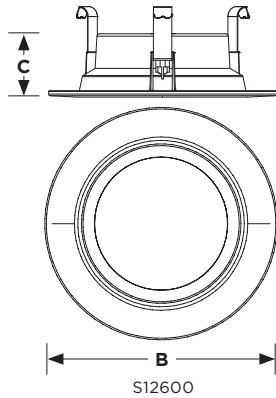


PERFORMER SERIES DOWNLIGHT RETROFITS | SMOOTH TRIM | CCT-SELECTABLE



5 CCT Selectable Switch

- WARM WHITE - 2700K
- SOFT WHITE - 3000K
- NEUTRAL WHITE - 3500K
- COOL WHITE - 4000K
- NATURAL LIGHT - 5000K



LED Quick Connect

Item	Description	Watts	Volts	Finish	Lumens	CRI	Beam	(A) Length	(B) Height	(C) Width
S12600	LED/DLR/4/5CCT/E/RND	6.5W	120V	WH	600	90	90°	-	5.30"	1.48"
S12601	LED/DLR/4/5CCT/E/SQ	6.5W	120V	WH	600	90	90°	5.30"	5.30"	1.35"
S12602	LED/DLR/5-6/5CCT/E/RND	7.5W	120V	WH	650	90	90°	-	7.36"	1.84"
S12603	LED/DLR/5-6/5CCT/E/SQ	7.5W	120V	WH	650	90	90°	7.36"	7.36"	1.43"
S12604	LED/DLR/5-6/5CCT/E/RND	9.5W	120V	WH	900	90	90°	-	7.36"	1.84"
S12605	LED/DLR/5-6/5CCT/E/SQ	9.5W	120V	WH	900	90	90°	7.36"	7.36"	1.43"

*Consult Satco or visit www.satco.com for an up-to-date dimmer compatibility list. See warranty for details.

SN1760

Specifications



Certifications



DOWNLIGHT RETROFIT - VALUE PACK



Features:

- 6 piece pack for value & convenience
- Easy to install
- 5/6" 65W Replacement
- 4" 45W Replacement
- Damp Location
- CA Compliant: T20, T24
- 3 Year Warranty†



DOWNLIGHT RETROFIT - VALUE PACK



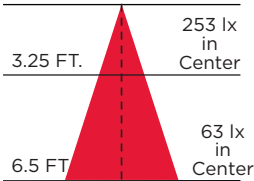
S11640

S11641



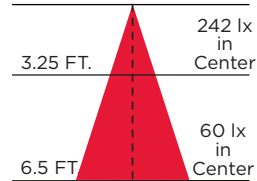
E26 Adapter included. These retrofits are for use with recessed housings with an E26 socket only.

ILLUMINATION 8.7W
CCT 3000K
Beam Angle: 102°

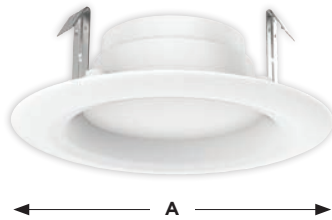


Suitable Can Dimension	
Type:	4 Inch
Min. Height	5.6"
Diameter	3.93" Min.

ILLUMINATION 9.2W
CCT 3000K
Beam Angle: 102°



Suitable Can Dimension	
Type:	5/6 Inch
Min. Height	7.5"
Diameter	5.2" Min.



Item	Description	Watts	Volts	CRI	CCT	Lumen	(A) Length	(B) Height
LED Downlight Retrofit 6 packs								
S11640	LED/RDL/4/930/120V/6PK	8.7W	120V	90	3000K	600	5.5"	1.74"
S11641	LED/RDL/5-6/930/120V/6PK	9.2W	120V	90	3000K	650	7.48"	1.55"

Consult Satco or visit www.satco.com for an up-to-date dimmer compatibility list. See warranty for details.

Product sheet SA2732

Specifications



Certifications



RECESSED DOWNLIGHT WITH NIGHT LIGHT CCT SELECTABLE

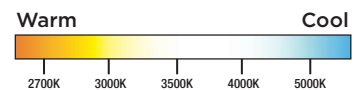


Features:

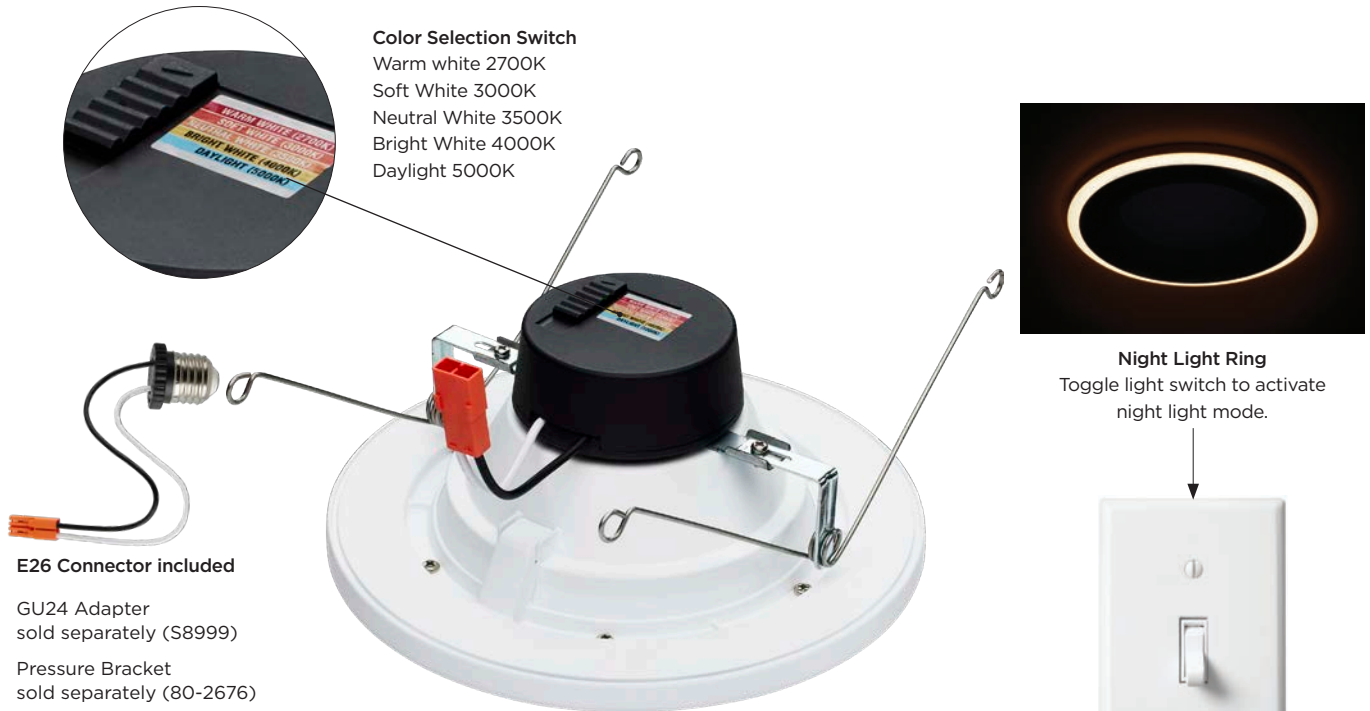
- Integrated Night Light
- 65W Incandescent Replacement
- 5 CCT Selectable
- Installs in 5/8" Recessed Housing
- Dual mode (Standard and Night)
- Dimmable (Standard Light Mode)
- Replaces 45W and 65W Reflectors



ColorQuick[®]
Selectable Color Technology



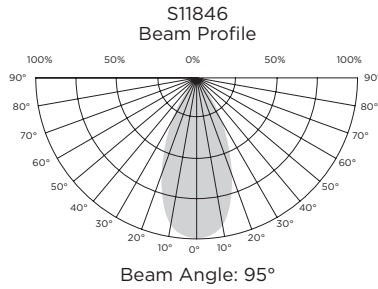
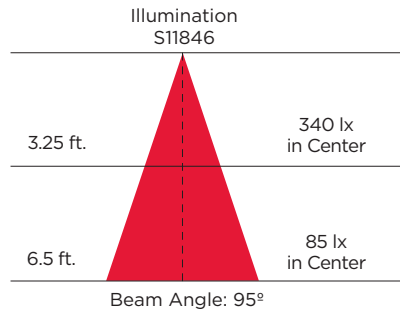
RECESSED DOWNLIGHT WITH NIGHT LIGHT CCT SELECTABLE



E26 Connector included
 GU24 Adapter
 sold separately (S8999)
 Pressure Bracket
 sold separately (80-2676)



Night Light Ring
 Toggle light switch to activate
 night light mode.



Specifications

Certifications

Item	Description	Size	Watts	CCT Selectable	Lumen
S11846	Integrated LED Recessed Downlight with Night Light Feature	5/6"	9	2700K/3000K/3500K/4000K/5000K	800
	Night Light Mode			2200K	150

Product sheet SA2934

LED RETROFIT DOWNLIGHT STEPPED BAFFLE | 12V | CCT SELECTABLE

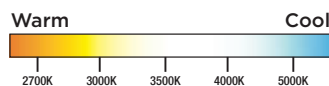


Features:

- CCT Selectable
- Non-Conductive Dead-Front Trim
- Stepped Baffle for Reduced Glare
- Dimmable
- GU5.3 Bi-Pin Base for MR16 Retrofits



ColorQuick[®]
Selectable Color Technology



Specifications



Certifications



Item	Description	Watts	Volts	CRI	CCT	Lumen	Beam	Trim Finish	Trim Size (in.)	Life (hrs.)
S11838	LED/DLR/BFL/4/CCT-SEL	6.5W	12V	90	2700K/3000K/3500K/4000K/5000K	600	85°	MWH	5.31"	50K

Product sheet SNI454

QUICK TRIM™ 4", 5"/6" LED RECESSED DOWNLIGHT RETROFIT 2-PACKS



Features:

- Direct Replacement for Reflector Lamps
- Dimmable†
- Damp Location Listed
- Long life—25,000 hours
- ENERGY STAR® Certified
- 3 Year Warranty



Extends to reach the socket.
Retracts to meet the surface.



Step 1

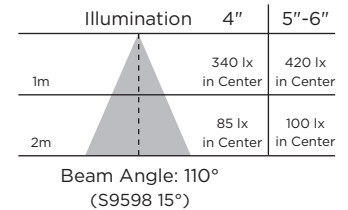


Screw lamp into existing socket.

Step 2



Push into the fixture until the trim is flush against surface.



Item	Description	Watts	Volts	CRI	CCT	Lumens	Beam	Trim Finish	Trim Size (in.)	Life (hrs.)
S29598	LED/4"TRIM/5CCT/2PK	8.5W	120V	80	2700K/3000K/3500K/4000K/5000K	500	110°	WH	4.00"	25K
S29599	LED/5-6"TRIM/5CCT/2PK	12W	120V	80	2700K/3000K/3500K/4000K/5000K	800	110°	WH	5.00-6.00	25K

†Consult Satco or visit www.satco.com for an up to date dimmer compatibility list.

LED READY RECESSED CAN

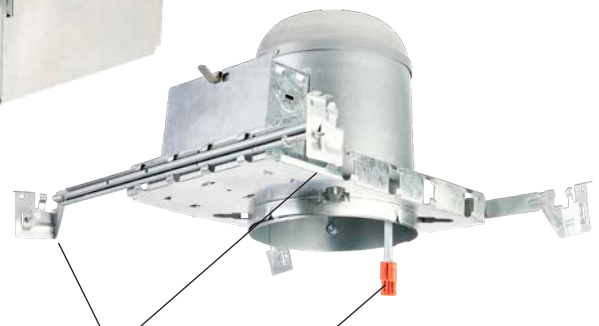


Features:

- Air tight rated
- Damp Locations
- cETLus Rated



Remodel

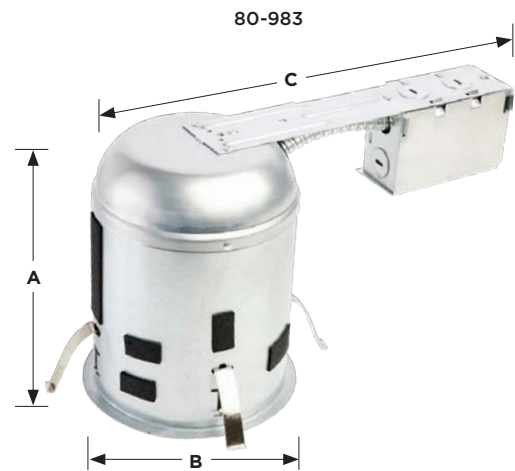
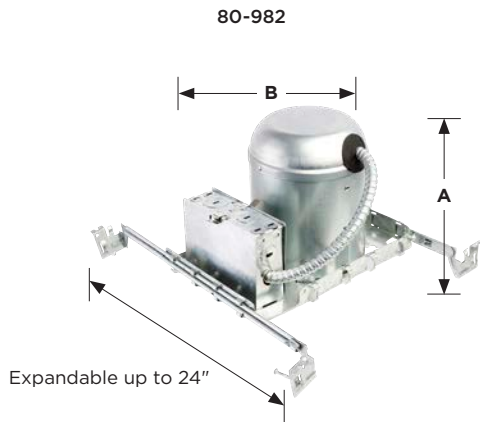
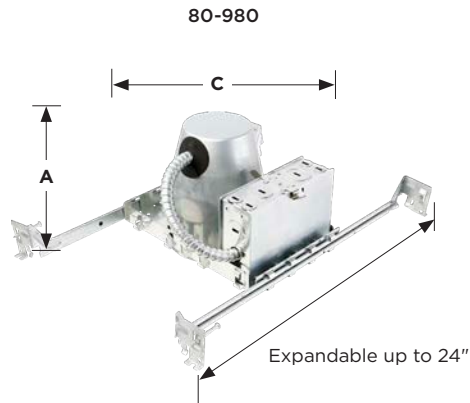


Expandable Hangers
up to 24"

LED Ready
Pull-Apart Connection

New Construction

LED READY RECESSED CAN



Item	Description
80-980	4" Recessed Can for New Construction
80-981	4" Recessed Can for Remodel
80-982	5" Recessed Can for New Construction
80-983	5" Recessed Can for Remodel
80-988	6" Recessed Can; For New Construction
80-989	6" Recessed Can; For Remodeling

Dimensions			
Item	(A) Height	(B) Length	(C) Width
80-980	4.94"	8.125"	5.19"
80-981	5.56"	11.81"	4.75"
80-982	6.75"	9.94"	6.88"
80-983	7.31"	13.06"	6.06"
80-988	7.52"	10.79"	6.85"
80-989	7.72"	13.46"	6.77"

Specifications



Certifications



*Consult Satco or visit www.satco.com for an up-to-date dimmer compatibility list. Product sheet SA2993 See warranty for details.

PERFORMER SERIES LED SLIMFIT DOWNLIGHTS REMOTE DRIVER | CCT SELECTABLE

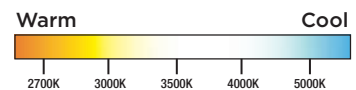


Features:

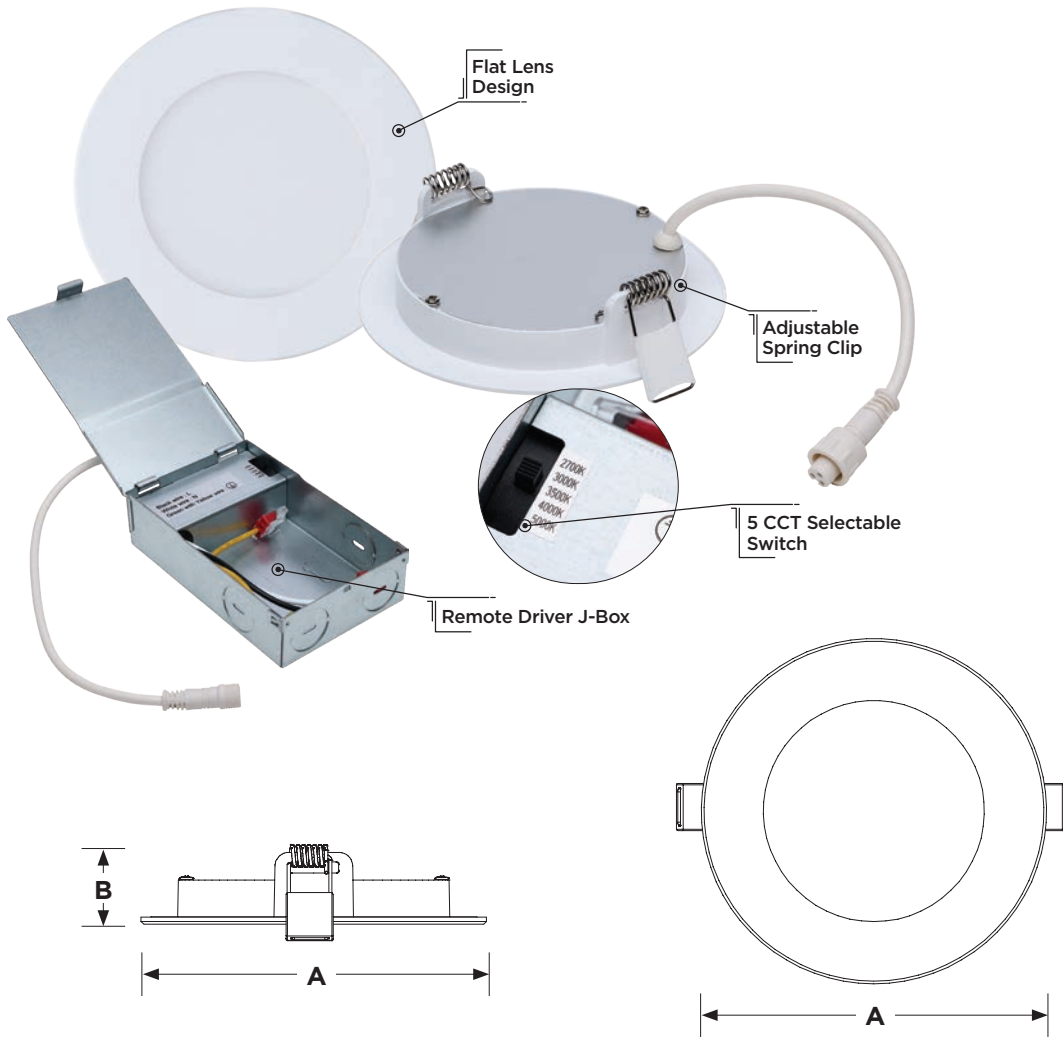
- 5 CCT Selectable
- Non-Conductive Dead Front Trim
- Remote Driver J-Box
- NEC Compliant for Use in Closets
- 90 CRI High Quality Illumination



ColorQuick[®]
Selectable Color Technology



PERFORMER SERIES LED SLIMFIT DOWNLIGHTS REMOTE DRIVER | CCT SELECTABLE



Item	Size	Shape	Lumens	Wattage	Replacement Wattage	Input Current	(A) Diameter	(B) Height
S11680	4"	Round	720	8W	50W	0.08A	4.92"	1.18"
S11681	6"	Round	1050	11W	75W	0.11A	6.77"	1.18"

Specifications



Certifications



Consult Satco or visit www.satco.com for an up-to-date dimmer compatibility list. See warranty for details.

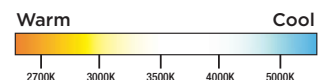
Product sheet SN1761

PLUS SERIES LED SLIMFIT DOWNLIGHTS REMOTE DRIVER | CCT SELECTABLE

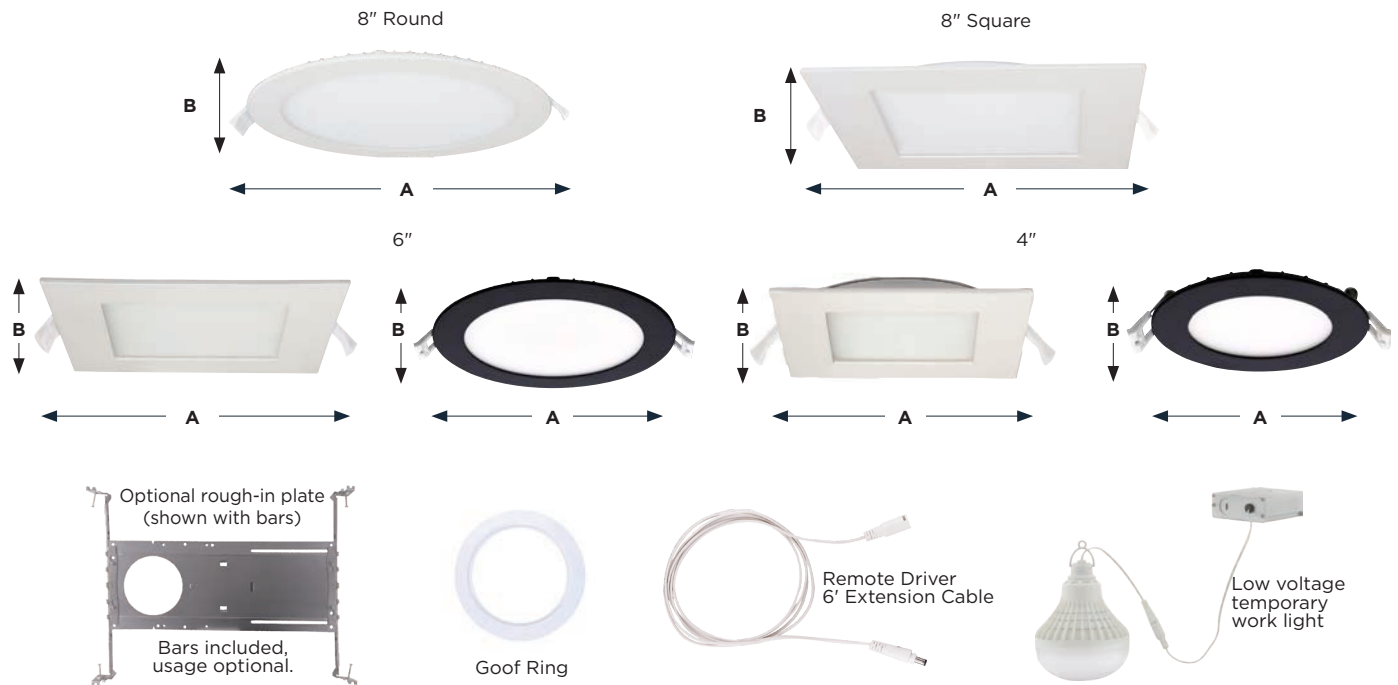


Features:

- 5 CCT Settings - 27K/30K/35K/40K/50K
- <1" Ceiling Space Required
- No Recessed Can Required
- Remote Driver, Optional Extension Cable & Rough In Plates
- Wet Location
- Easy install spring clips
- IC Rated
- Air Tight
- 5 Year warranty



PLUS SERIES LED SLIMFIT DOWNLIGHTS REMOTE DRIVER | CCT SELECTABLE



Specifications



Certifications



Item	Description	Size	Watts	CCT	Lumens	(A) Width	(B) Height
Round							
S11826	LED/DW/EL/4/CCT/RND/WH	4"	10W	2700/3000/3500/4000/5000K	650	4.72"	0.9"
S11827	LED/DW/EL/6/CCT/RND/WH	6"	12W	2700/3000/3500/4000/5000K	900	6.78"	0.9"
S11828	LED/DW/EL/8/CCT/RND/WH	8"	24W	2700/3000/3500/4000/5000K	1850	8.86"	0.9"
S11874	LED/DW/4/CCT-SEL/RND/RD/BK	4"	10W	2700/3000/3500/4000/5000K	650	4.75"	0.9"
S11875	LED/DW/6/CCT-SEL/RND/RD/BK	6"	12W	2700/3000/3500/4000/5000K	900	6.75"	0.9"
Square							
S11829	LED/DW/EL/4/CCT/SQ/WH	4"	10W	2700/3000/3500/4000/5000K	600	4.72"	0.9"
S11830	LED/DW/EL/6/CCT/SQ/WH	6"	12W	2700/3000/3500/4000/5000K	700	6.69"	0.9"
S11831	LED/DW/EL/8/CCT/SQ/WH	8"	24W	2700/3000/3500/4000/5000K	1650	8.86"	0.9"
S11876	LED/DW/4/CCT-SEL/SQ/RD/BK	4"	10W	2700/3000/3500/4000/5000K	600	4.72"	0.9"
S11877	LED/DW/6/CCT-SEL/SQ/RD/BK	6"	12W	2700/3000/3500/4000/5000K	700	6.69"	0.9"
Accessories							
80-943	Rough-In Plate / Bars 4" Rd						
80-944	Rough-In Plate / Bars 6" Rd						
80-945	Rough-In Plate / Bars 8" Rd						
80-946	Goof Ring 4" - 6" Outside Diameter						
80-947	Goof Ring 6" - 8" Outside Diameter						
80-948	Goof Ring 8" - 10.88" Outside Diameter						
80-949	Remote Driver 6' Extension Cable						
86-216	Remote driver temporary light						
S8000	5W Emergency Driver						
S8002	10W Emergency Driver						
80-973	Emergency Driver Enclosure						

*Consult Satco or visit www.satco.com for an up-to-date dimmer compatibility list. See warranty for details.

PRO SERIES LED SLIMFIT DOWNLIGHTS DUAL DIMMING | FIELD SELECTABLE



Features:

- Wattage Selectable for High and Very High Outputs
- Dual Dimming
- FT6 Cable Included for Commercial Plenums
- NEC Compliant Junction Box
- 90 CRI LIGHT Quality

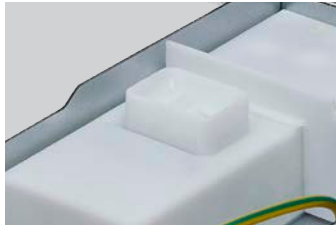


PRO SERIES LED SLIMFIT DOWNLIGHTS

DUAL DIMMING | FIELD SELECTABLE



Flat Lens Design



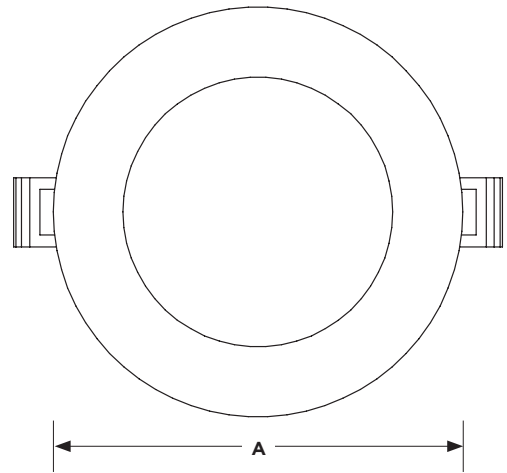
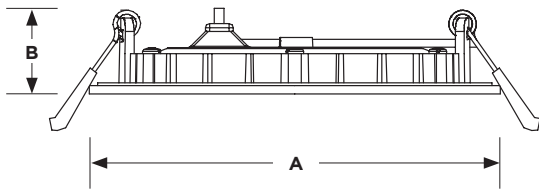
Wattage Selectable Switch for High and Very High Outputs



CCT Selectable Switch



FT6 Cable for Commercial Plenums



Specifications



Certifications



Item	Size	Shape	Max Lumens	CCT Selectable	Wattage	Replacement Wattage	(A) Diameter	(B) Height
S11690	4"	Round	1000	2700/3000/3500/4000/5000K	8W/12W	75W	4.72"	1.34"
S11691	6"	Round	1350	2700/3000/3500/4000/5000K	11W/15W	85W	6.77"	1.34"

Meets requirements of ICES-005 issue 5 class B for use in residential applications.
 Fixture may not be compatible with all dimmers.

Product sheet SN1764

SMOOTH BAFFLE REMOTE DRIVER DOWNLIGHTS | CCT SELECTABLE

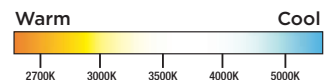


Features:

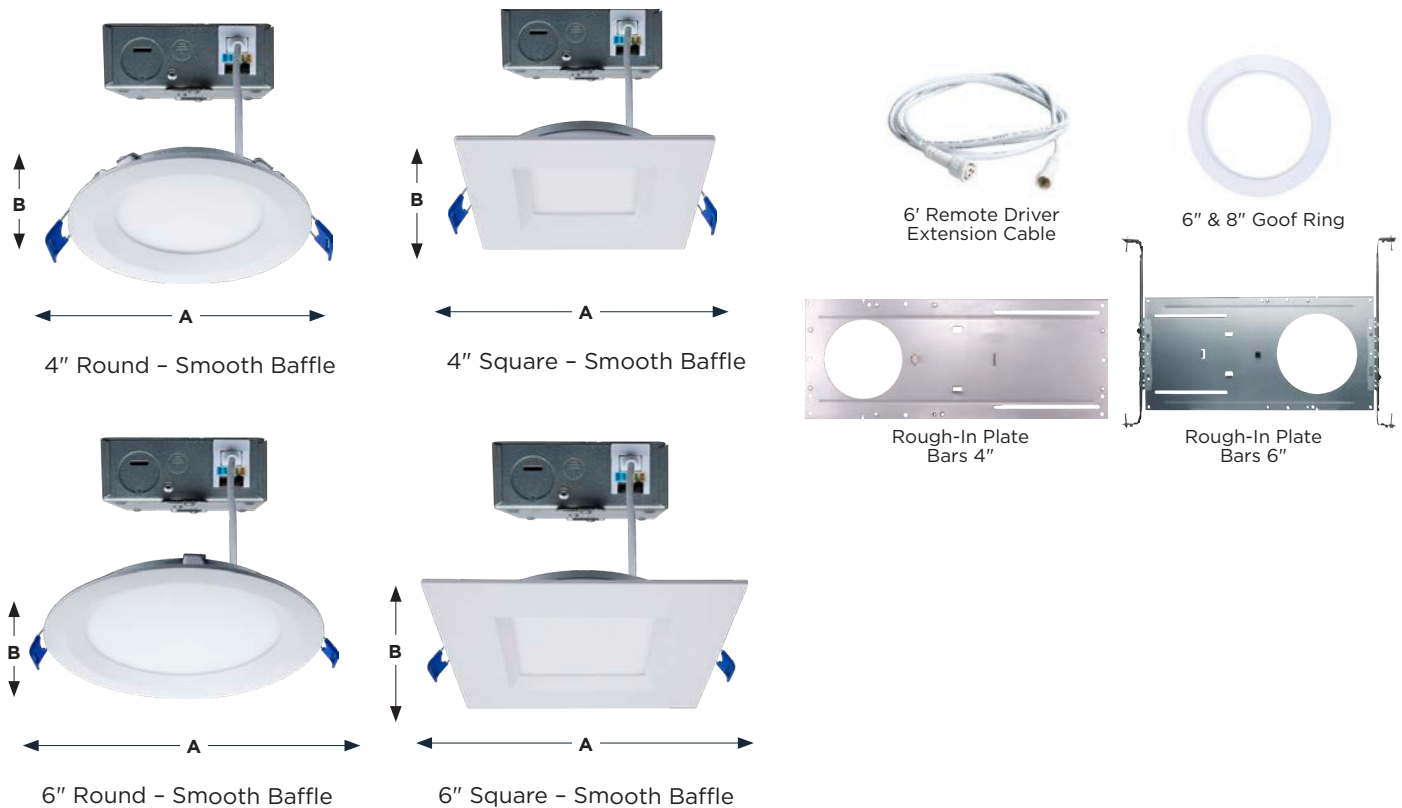
- 5 CCT Settings - 2700K/3000K/3500K/4000K/5000K
- Dimmable*
- <1" Ceiling Space required
- No Recessed Can required
- Remote Driver, Optional Extension Cable & Rough In Plates
- Wet Location
- Easy Install Spring Clips
- IC Rated
- Air Tight
- 5 Year warranty



ColorQuick[®]
Selectable Color Technology



SMOOTH BAFFLE REMOTE DRIVER DOWNLIGHTS | CCT SELECTABLE



Specifications



Certifications



Item	Description	Watts	CCT	Lumens	(A) Width	(B) Height
Round						
S11870	LED/DW/4/CCT-SEL/RND/RD/WH	12W	2700K/3000K/3500K/4000K/5000K	850	5.06"	1.25"
S11871	LED/DW/4/CCT-SEL/SQ/RD/WH	12W	2700K/3000K/3500K/4000K/5000K	750	5.06"	1.29"
S11872	LED/DW/6/CCT-SEL/RND/RD/WH	15W	2700K/3000K/3500K/4000K/5000K	1100	7.15"	1.25"
S11873	LED/DW/6/CCT-SEL/SQ/RD/WH	15W	2700K/3000K/3500K/4000K/5000K	1000	7.17"	1.29"
Accessories						
80-946	Goof Ring 4" - 6" Outside Diameter					
80-947	Goof Ring 6" - 8" Outside Diameter					
80-943	Rough-In Plate / Bars 4" Rd					
80-944	Rough-In Plate / Bars 6" Rd					
S8000	5W Emergency Driver					
S8002	10W Emergency Driver					
80-973	Emergency Driver Enclosure					
80-985	6' Remote Driver Extension Cable					

*Consult Satco or visit www.satco.com for an up-to-date dimmer compatibility list. See warranty for details.

LED DOWNLIGHTS WITH NIGHT LIGHT REMOTE DRIVER | CCT SELECTABLE

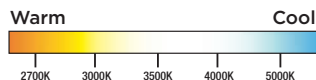


Features:

- Integrated 3W Night Light
- 5-CCT Selectable
- Excellent Color Rendering
- Offered In Round & Square Trims
- Durable Aluminum Trim and Acrylic Lens



ColorQuick[®]
Selectable Color Technology



**Integrated 3W
Night Light**



LED DOWNLIGHTS WITH NIGHT LIGHT REMOTE DRIVER | CCT SELECTABLE



80-864 Remote Driver 6' Extension Cable - 4 Pin



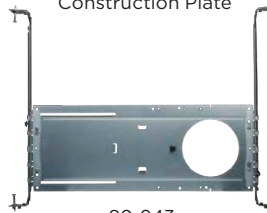
80-865 4" New Construction Plate



80-866 6" New Construction Plate



80-867 3.5"/4"/6"/8" UNIVERSAL New Construction Plate



80-943 4" New Construction Plate with Hang Bar



80-944 6" New Construction Plate with Hang Bars



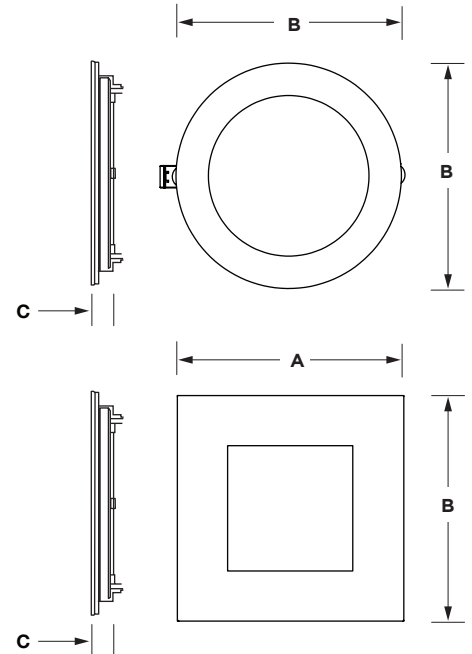
80-950 4" New Construction Plate



80-952 6" New Construction Plate



80-997 Hanger Bar Kit for use with 80-864 and 80-865



Specifications



Certifications

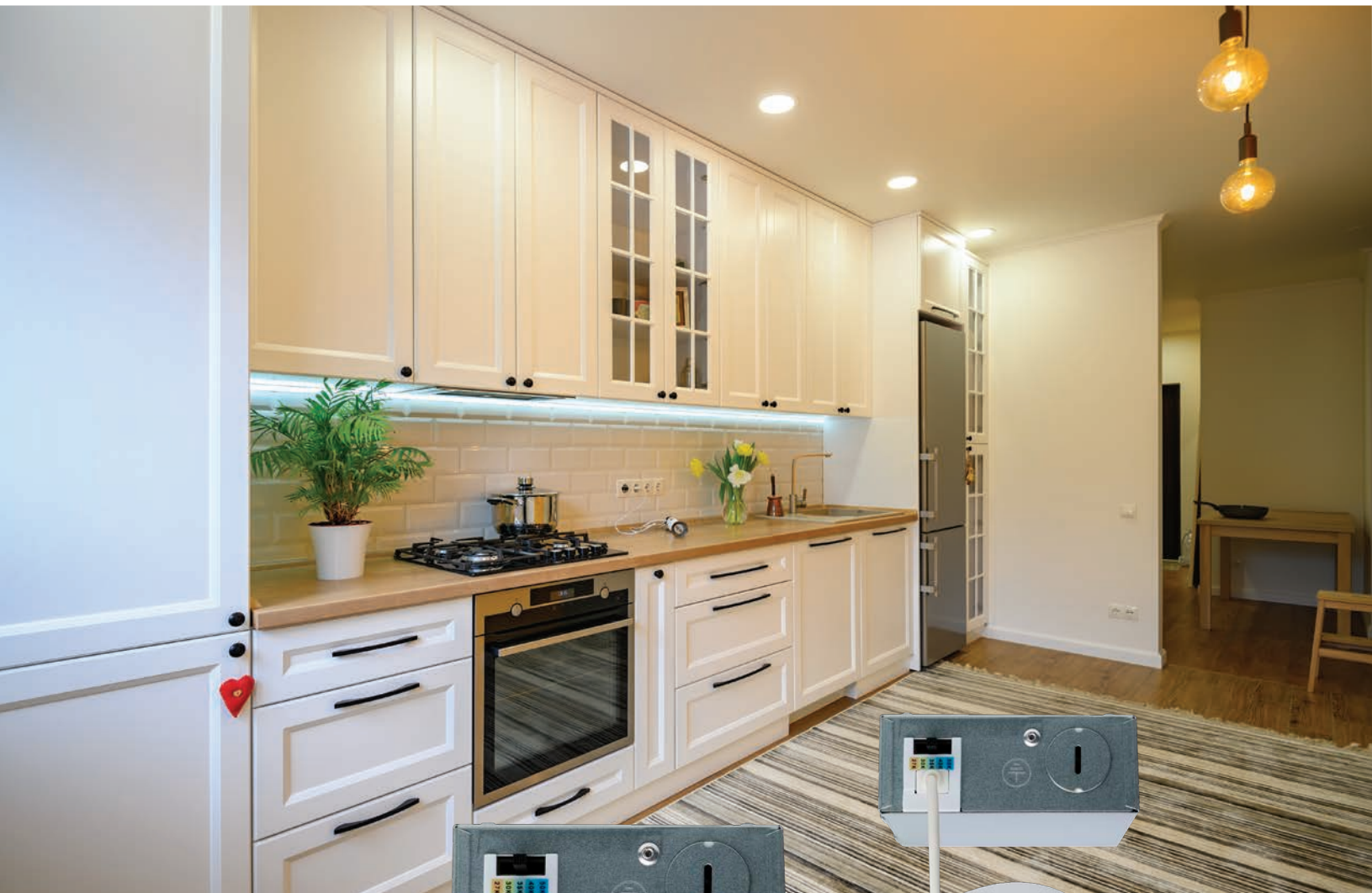


Item	Description	Watts	CCT	Lumens	(A) Length	(B) Width/Dia	(C) Height
Round							
S11886	LED/DW/4/CCT-SEL/RND/RD/NL	9W	2700K/3000K/3500K/4000K/5000K	760	—	4.88"	0.95"
S11887	LED/DW/6/CCT-SEL/RND/RD/NL	12W	2700K/3000K/3500K/4000K/5000K	990	—	6.85"	0.95"
Square							
S11888	LED/DW/4/CCT-SEL/SQ/RD/NL	9W	2700K/3000K/3500K/4000K/5000K	760	4.88"	4.88"	0.95"
S11889	LED/DW/6/CCT-SEL/SQ/RD/NL	12W	2700K/3000K/3500K/4000K/5000K	990	6.85"	6.85"	0.95"

*Consult Satco or visit www.satco.com for an up-to-date dimmer compatibility list. See warranty for details.

Product sheet SN1726

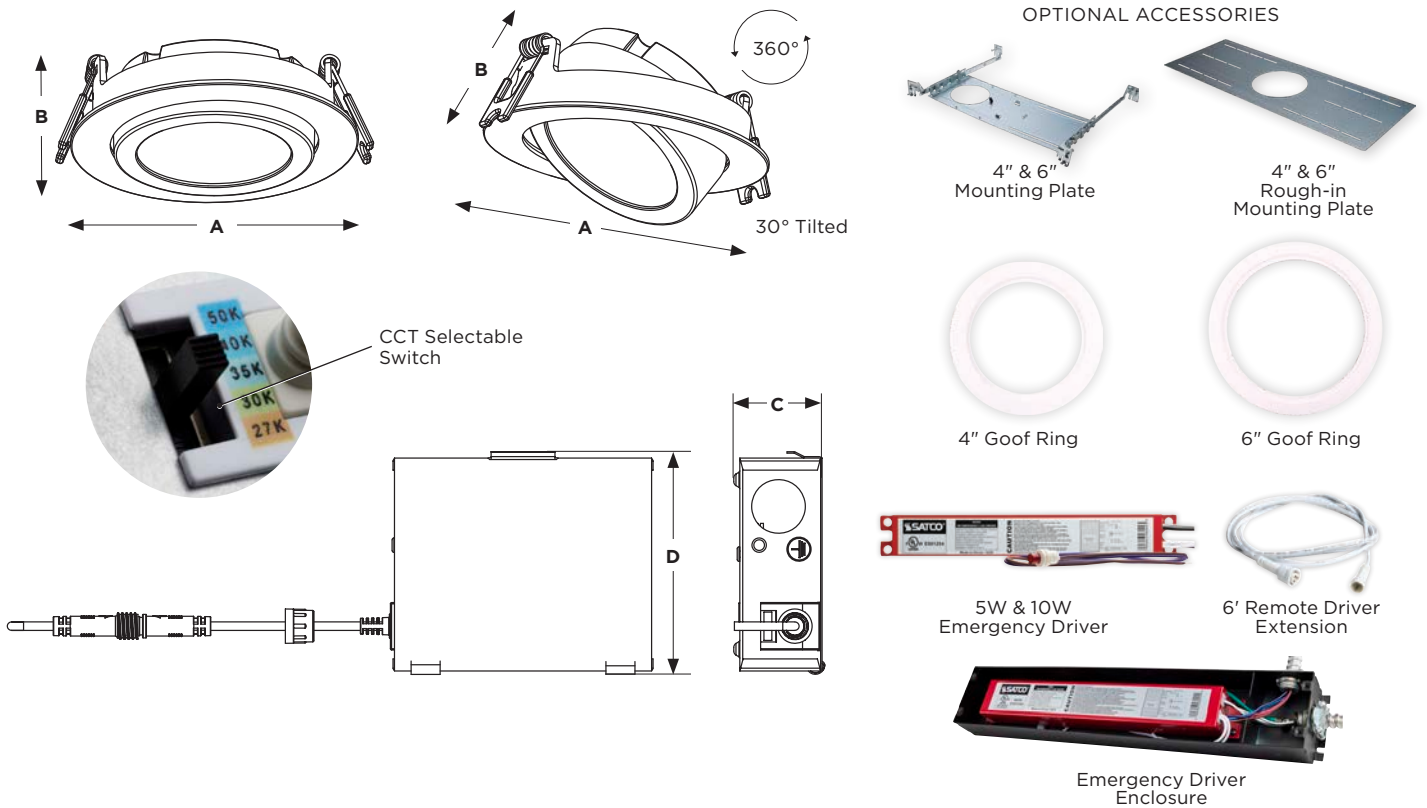
PLUS SERIES LED DIRECTIONAL DOWNLIGHTS REMOTE DRIVER | CCT SELECTABLE



Features:

- 5 CCT Selectable
- Dimmable*
- 360° Rotation 30° when Tilted
- Offered in 4" and 6" Round Models
- Adjustable Spring Clips
- Low Profile Design

PLUS SERIES LED DIRECTIONAL DOWNLIGHTS REMOTE DRIVER | CCT SELECTABLE



Item	Description	Watts	Lumens	CCT
S11878	LED/4/CCT/LP/RD/DIR/FL	11W	700	2700K/3000K/3500K/4000K/5000K
S11879	LED/6/CCT/LP/RD/DIR/FL	14W	1100	2700K/3000K/3500K/4000K/5000K
Accessories				
80-943	4" Adjustable Mounting Plate with Hanger Bars			
80-944	6" Adjustable Mounting Plate with Hanger Bars			
80-950	4" Rough-In Mounting Plate			
80-951	6" Rough-In Mounting Plate			
80-946	4" Goof Ring			
80-947	6" Goof Ring			
S8000	5W Emergency Driver			
S8002	10W Emergency Driver			
80-973	Emergency Driver Enclosure			
80-985	6' Remote Driver 3-Pin Extension			
Dimensions				
Item	Diameter (A)	Height (B)	Height (C)	Length (D)
S11878	4.92"	1.57"	1.44"	3.62"
S11879	7.17"	1.88"	1.44"	3.62"

Specifications

- 90 CRI
- 120 VOLT
- DIMMABLE
- DAMP LOCATION
- 50,000 HOURS

Certifications

- ETL US
- TITLE 24
- RoHS COMPLIANT

*Consult Satco or visit www.satco.com for an up-to-date dimmer compatibility list. See warranty for details.

FIRE RATED SLIM FIT REMOTE DRIVER DOWNLIGHTS | CCT SELECTABLE



Features:

- Fire rated up to 2 hours
- Red Painted Backplate for Easy Identification
- 120V and 120/277V Models available
- 5 CCT Selectable

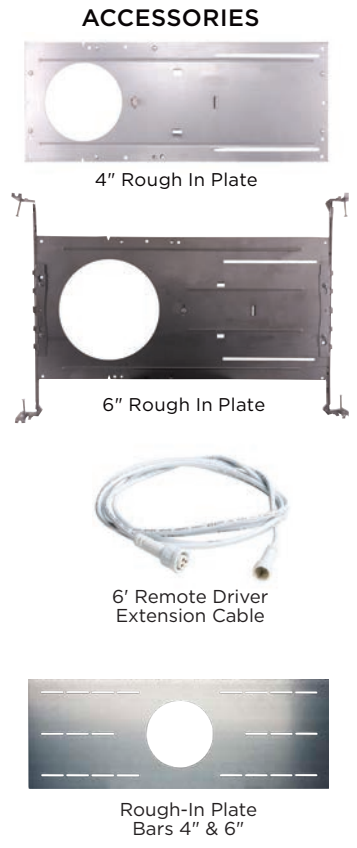
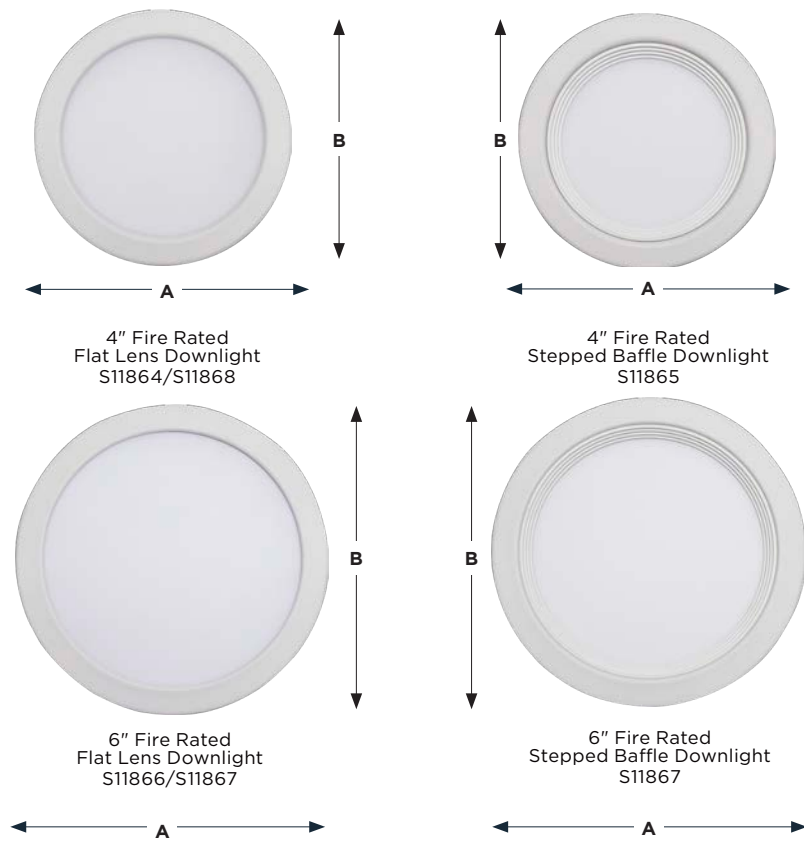


Flat Lens



ColorQuick[®]
Selectable Color Technology

FIRE RATED SLIM FIT REMOTE DRIVER DOWNLIGHTS | CCT SELECTABLE



Item	Description	Watts	CCT	Lumens	(A) Width	(B) Height
Flat Lens 120V						
S11864	LED/4/FR/CCT/SLF/RD/FL/RND	10W	2700K/3000K/3500K/4000K/5000K	800	4.75"	0.69"
S11866	LED/6/FR/CCT/SLF/RD/FL/RND	13W	2700K/3000K/3500K/4000K/5000K	1050	6.81"	0.69"
Stepped Baffle 120V						
S11865	LED/4/FR/CCT/SLF/RD/STB/RND	10W	2700K/3000K/3500K/4000K/5000K	800	4.75"	0.69"
S11867	LED/6/FR/CCT/SLF/RD/STB/RND	13W	2700K/3000K/3500K/4000K/5000K	1050	6.81"	0.69"
Flat Lens 120-277V						
S11868	LED/4/CFR/CCT/SLF/RD/FL/RND	10W	2700K/3000K/3500K/4000K/5000K	800	4.75"	0.69"
S11869	LED/6/CFR/CCT/SLF/RD/FL/RND	13	2700K/3000K/3500K/4000K/5000K	1050	6.81"	0.69"
Accessories						
80-943	4" Rough-In Remote Driver Mounting Plate					
80-944	6" Rough-In Remote Driver Mounting Plate					
80-950	Rough-In Plate / 4" Direct Wir					
80-951	Rough-In Plate / 6" Direct Wir					
80-946	Goof Ring 4 - Direct Wire DI					
80-947	Goof Ring 6 - Direct Wire DI					
S8000	5W Emergency Driver					
S8002	10W Emergency Driver					
80-973	Emergency Driver Enclosure					
80-985	6' Remote Driver Extension Cable					

Specifications



Certifications



Consult Satco or visit www.satco.com for an up-to-date dimmer compatibility list. Product sheet SA3014
See warranty for details.

LED FIRE RATED DIRECTIONAL DOWNLIGHTS REMOTE DRIVER | CCT SELECTABLE

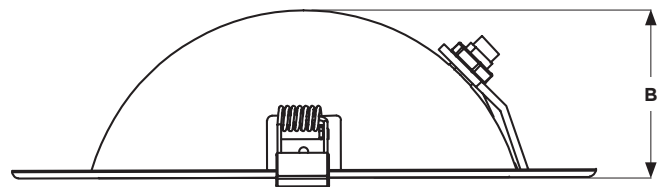
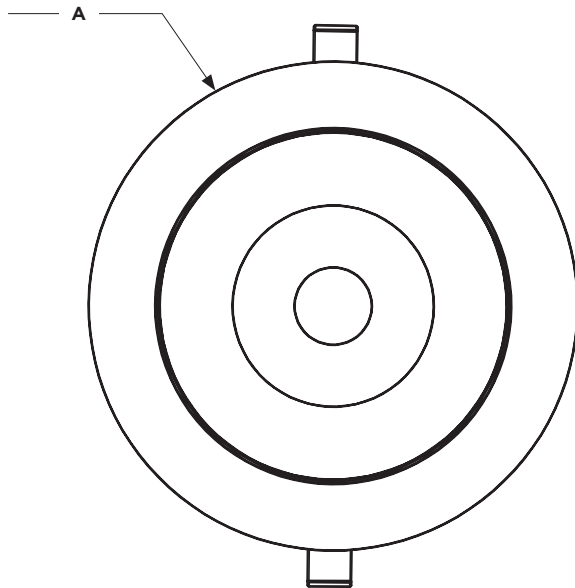


Features:

- Fire rated for up to 2-hours
- Red Painted Backplate for Easy Identification
- 360° Rotation with 80° Tilt
- 5 CCT Selectable



LED FIRE RATED DIRECTIONAL DOWNLIGHTS REMOTE DRIVER | CCT SELECTABLE



Item	Size	Lumens	Wattage	Incandescent Replacement Wattage	Beam Angle	(A) Width	(B) Height
S11880	4"	650	9W	50W	36°	4.92"	1.42"
S11881	6"	1,280	15W	75W	40°	7.48"	2.17"

Consult Satco or visit www.satco.com for an up-to-date dimmer compatibility list. See warranty for details.

Product sheet SN1274

Specifications



Certifications



ROUND LOW PROFILE REMOTE DRIVER DOWNLIGHTS | CCT SELECTABLE



Features:

- No Recessed Can Required
- Integrated J-Box for Direct Wire Installation saves time and materials
- Remote Driver, Optional Extension Cable & Rough In Plates
- Wet location
- Easy Install Spring Clips
- IC Rated
- Air Tight
- 5 Year Warranty



CCT Selectable Switch

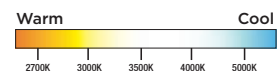


360° Rotation

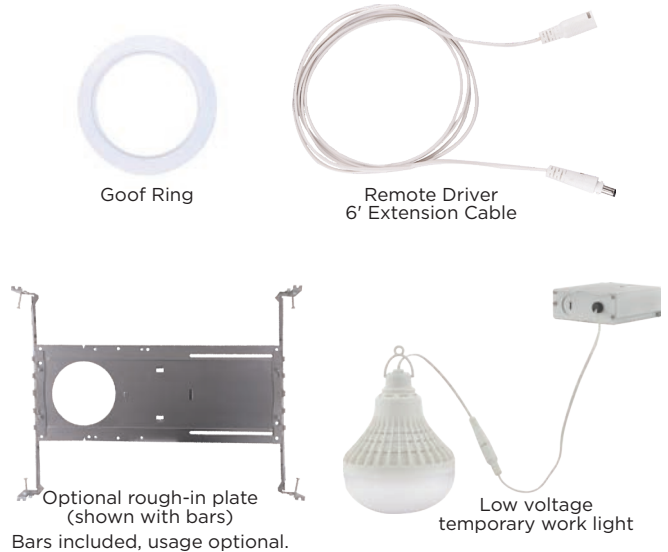
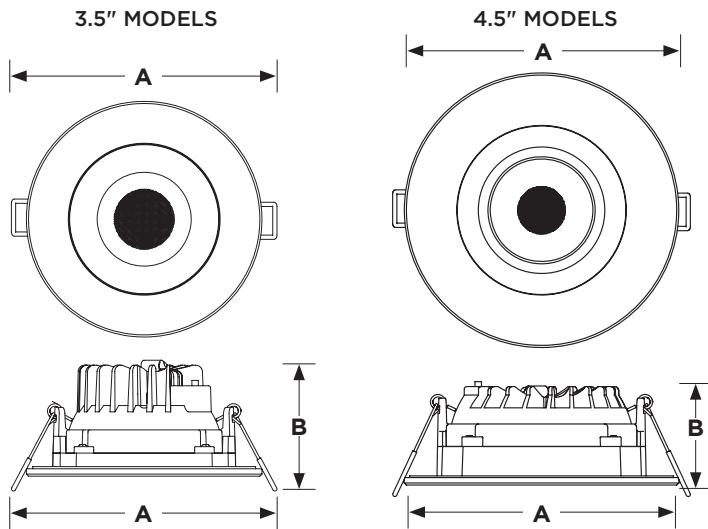
30° Tilt



ColorQuick[®]
Selectable Color Technology



ROUND LOW PROFILE REMOTE DRIVER DOWNLIGHTS | CCT SELECTABLE



Specifications



Certifications



Item	Description	CCT Selectable	Lumens	(A) Width	(B) Height
4 1/2" Round Gimbal					
S11618R1	12WLED/DW/GBL/4/CCT/RND/RD/WH	2700K/3000K/3500K/4000K/5000K	850	5.04"	2.00"
S11619R1	12WLED/DW/GBL/4/CCT/RND/RD/BLK	2700K/3000K/3500K/4000K/5000K	850	5.04"	2.00"
S11620R1	12WLED/DW/GBL/4/CCT/RND/RD/BN	2700K/3000K/3500K/4000K/5000K	850	5.04"	2.00"
3 1/2" Round Gimbal					
S11624R1	12WLED/DW/GBL/3/CCT/RND/RD/WH	2700K/3000K/3500K/4000K/5000K	840	4.38"	2.10"
S11625R1	12WLED/DW/GBL/3/CCT/RND/RD/BLK	2700K/3000K/3500K/4000K/5000K	840	4.38"	2.10"
S11626R1	12WLED/DW/GBL/3/CCT/RND/RD/BN	2700K/3000K/3500K/4000K/5000K	840	4.38"	2.10"
3 1/2" Round Downlight					
S11630R1	10WLED/DW/DNL3/930/RND/RD/WH	2700K/3000K/3500K/4000K/5000K	840	4.38"	3.00"
S11631R1	10WLED/DW /DNL3/930/RND/RD/BLK	2700K/3000K/3500K/4000K/5000K	840	4.38"	3.00"
S11632R1	10WLED/DW/DNL3/930/RND/RD/BN	2700K/3000K/3500K/4000K/5000K	840	4.38"	3.00"
Accessories					
80-942	Rough-in Plate / Bars 3.5" Rd				
80-943	Rough-in Plate / Bars 4" Rd				
80-946	Goof Ring 4" - for Direct Wire Downlight - 6" Outside Diameter				
86-216	Remote Driver Temp Light				
80-949	Remote Driver 6' Extension Cable				
80-950	Rough-in Plate / 4" Direct Wire				
S8000	5W Emergency Driver				
S8002	10W Emergency Driver				
80-973	Emergency Driver Enclosure				

Consult Satco or visit www.satco.com for an up-to-date dimmer compatibility list. See warranty for details.

Product sheet SA2517

SQUARE LOW PROFILE REMOTE DRIVER DOWNLIGHTS | CCT SELECTABLE



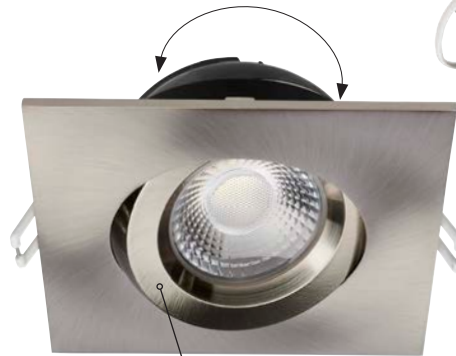
Features:

- No Recessed Can Required
- Integrated J-Box for Direct Wire Installation saves time and materials
- Remote Driver, Optional Extension Cable & Rough In Plates
- Wet Location
- Easy Install Spring Clips
- IC Rated
- Air Tight
- 5 Year Warranty

CCT Selectable Switch



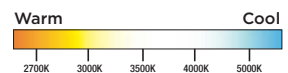
360° Rotation



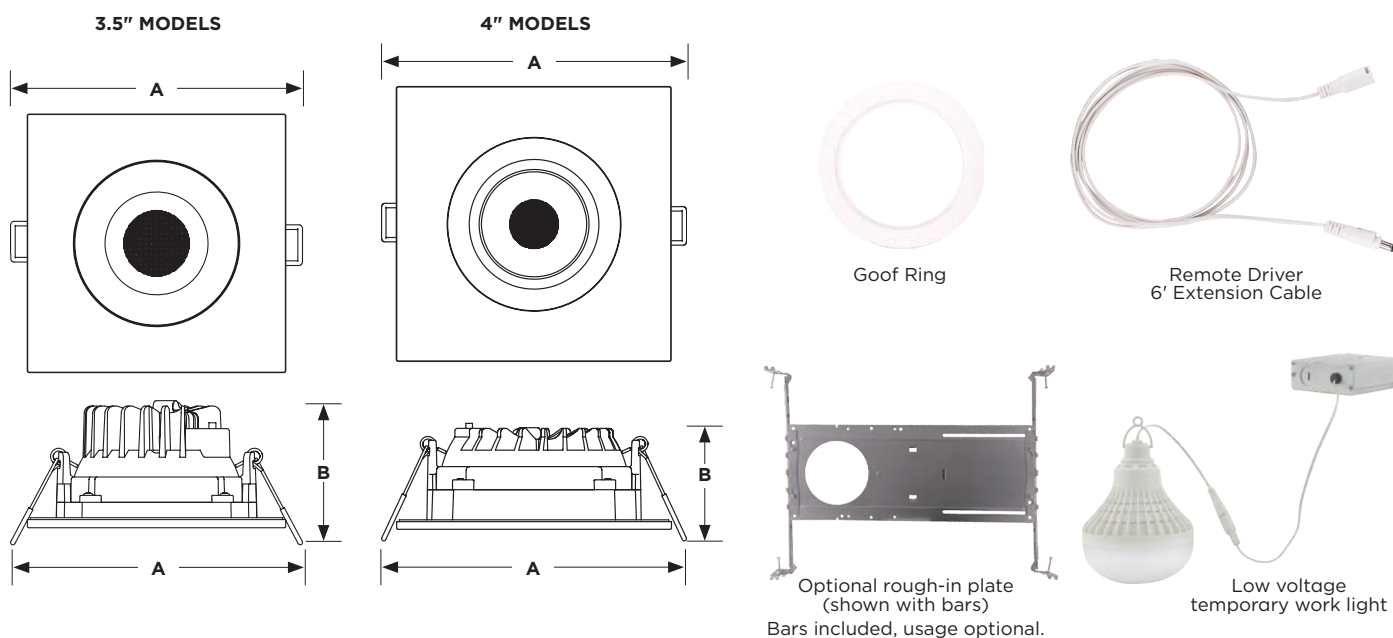
30° Tilt



ColorQuick
Selectable Color Technology



SQUARE LOW PROFILE REMOTE DRIVER DOWNLIGHTS | CCT SELECTABLE



Item	Description	CCT	Lumens	(A) Width	(B) Height
4 1/2" Square Gimbal					
S11621R1*	12WLED/DW/GBL/4/CCT/SQ/RD/WH	2700K/3000K/3500K/4000K/5000K	850	4.92"	2.00"
S11622R1*	12WLED/DW/GBL/4/CCT/SQ/RD/BLK	2700K/3000K/3500K/4000K/5000K	850	4.92"	2.00"
S11623R1*	12WLED/DW/GBL/4/CCT/SQ/RD/BN	2700K/3000K/3500K/4000K/5000K	850	4.92"	2.00"
3 1/2" Square Gimbal					
S11627R1*	12WLED/DW/GBL/3/SQ/CCT/RD/WH	2700K/3000K/3500K/4000K/5000K	840	4.38"	2.10"
S11628R1*	12WLED/DW/GBL/3/SQ/CCT/RD/BLK	2700K/3000K/3500K/4000K/5000K	840	4.38"	2.10"
S11629R1*	12WLED/DW/GBL/3/SQ/CCT/RD/BN	2700K/3000K/3500K/4000K/5000K	840	4.38"	2.10"
4 1/2" Square Downlight					
S11633R1	10WLED/DW/DNL3/930/SQ/RD/WH	2700K/3000K/3500K/4000K/5000K	840	4.38"	3.00"
S11634R1	10WLED/DW/DNL3/930/SQ/RD/BLK	2700K/3000K/3500K/4000K/5000K	840	4.38"	3.00"
S11635R1	10WLED/DW/DNL3/930/SQ/RD/BN	2700K/3000K/3500K/4000K/5000K	840	4.38"	3.00"
Accessories					
80-942	Rough-In Plate / Bars 3.5" RD				
80-943	Rough-In Plate / Bars 4" RD				
80-949	Remote Driver 6' Extension Cable				
80-950	Rough-In Plate / 4" Direct WIR				
S8000	5W Emergency Driver				
S8002	10W Emergency Driver				
80-973	Emergency Driver Enclosure				
86-216	Remote Driver Temp Light				

Specifications



Certifications



*Consult Satco or visit www.satco.com for an up-to-date dimmer compatibility list. See warranty for details.

REMOTE DRIVER DOWNLIGHTS - CCT SELECTABLE

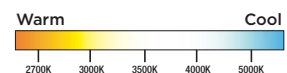


Features:

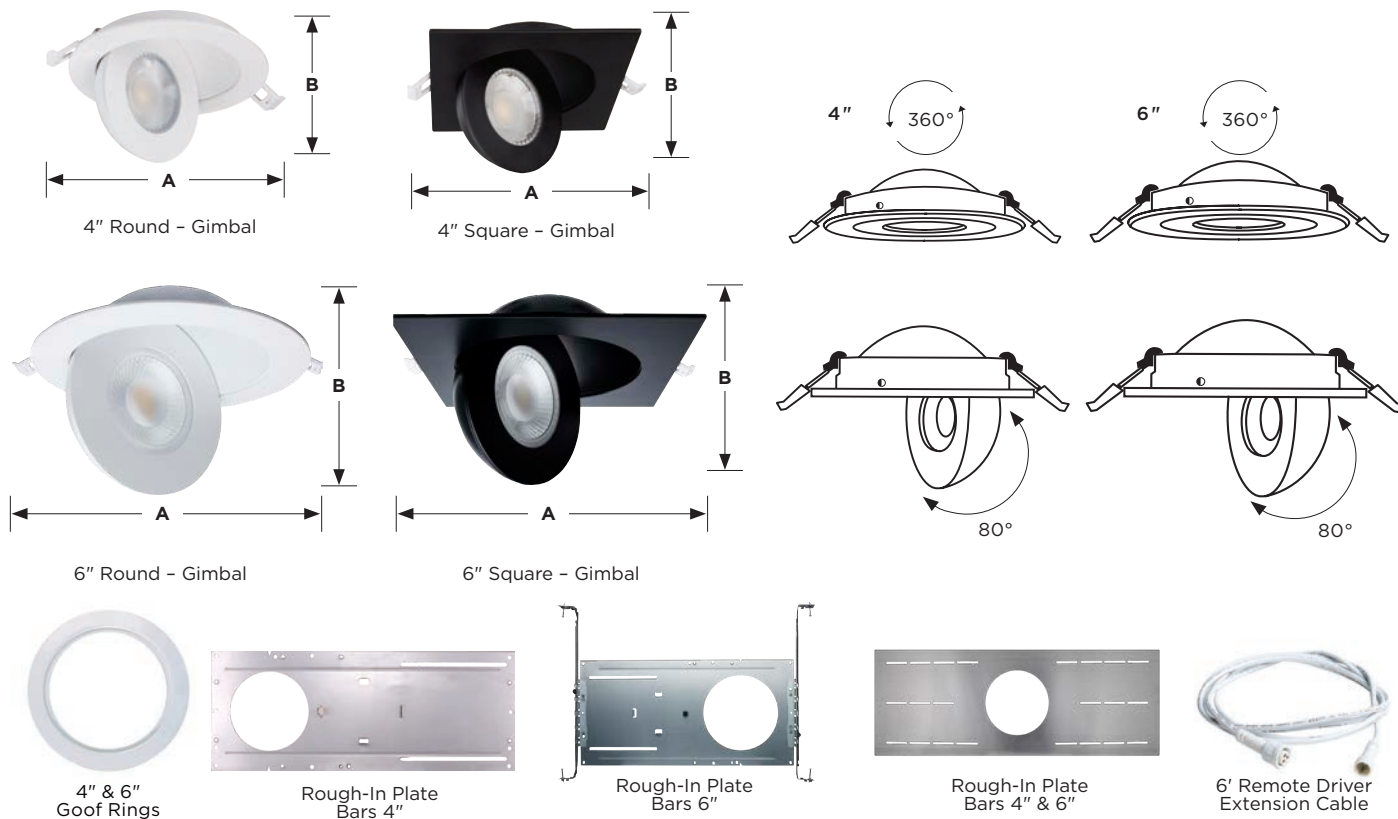
- 5 CCT Settings - 2700K/3000K/3500K/4000K/5000K
- <1" Ceiling Space required
- No Recessed Can required
- Remote Driver, Optional Extension Cable & Rough In Plates
- Wet Location
- Easy Install Spring Clips
- IC Rated
- Air Tight
- 5 Year Warranty



ColorQuick[®]
Selectable Color Technology



REMOTE DRIVER DOWNLIGHTS - CCT SELECTABLE



Item	Description	Watts	CCT	Lumens	(A) Width	(B) Height
Round						
S11840	LED/GBL/4/CCT/RND/WH	9W	2700K/3000K/3500K/4000K/5000K	650-750	4.92"	1.42"
S11842	LED/GBL/4/CCT/RND/BLK	9W	2700K/3000K/3500K/4000K/5000K	650-750	4.92"	1.42"
S11860	LED/GBL/6/CCT/RND/WH	15W	2700K/3000K/3500K/4000K/5000K	1280-1400	7.48"	2.17"
S11862	LED/GBL/6/CCT/RND/BLK	15W	2700K/3000K/3500K/4000K/5000K	1280-1400	7.48"	2.17"
Square						
S11841	LED/GBL/4/CCT/SQ/WH	9W	2700K/3000K/3500K/4000K/5000K	650-750	4.92"	1.42"
S11843	LED/GBL/4/CCT/SQ/BLK	9W	2700K/3000K/3500K/4000K/5000K	650-750	4.92"	1.42"
S11861	LED/GBL/6/CCT/SQ/WH	15W	2700K/3000K/3500K/4000K/5000K	1280-1400	7.48"	2.17"
S11863	LED/GBL/6/CCT/SQ/BLK	15W	2700K/3000K/3500K/4000K/5000K	1280-1400	7.48"	2.17"
Accessories						
80-950	Rough-In Plate / 4" Direct Wir					
80-951	Rough-In Plate / 6" Direct Wir					
80-952	Rough-In Plate / 6" Direct Wir					
80-946	Goof Ring 4 - Direct Wire DI					
80-947	Goof Ring 6 - Direct Wire DI					
80-943	Rough-In Plate / Bars 4" Rd					
80-944	Rough-In Plate / Bars 6" Rd					
S8000	5W Emergency Driver					
S8002	10W Emergency Driver					
80-973	Emergency Driver Enclosure					
80-985	6' Remote Driver Extension Cable					

Specifications

- 90 CRI**
- 120 VOLT**
- DIMMABLE**
- WET LOCATION**
- 50,000 HOURS**

Certifications

- ETL**
- TITLE 24**

Consult Satco or visit www.satco.com for an up-to-date dimmer compatibility list. See warranty for details.

Product sheet SA2864

4" & 6" DIRECT WIRE EDGE-LIT DOWNLIGHTS



Features:

- No Recessed Can required
- Direct Replacement for 45 Watt Reflector
- Slim Design, Low Profile
- Integrated J-Box for Direct Wire Installation saves time and materials
- Damp Location
- Dimmable*
- Easy Install Spring Clips
- IC Rated
- 5 Year Warranty



4" & 6" DIRECT WIRE EDGE-LIT DOWNLIGHTS

4"



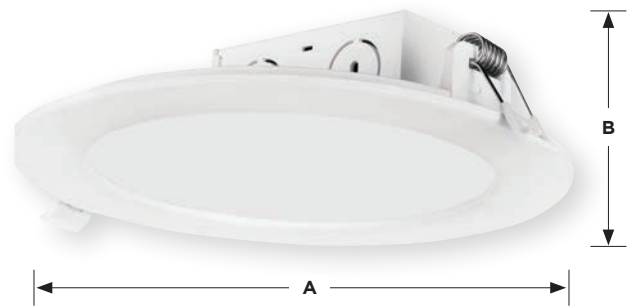
Top view



6"

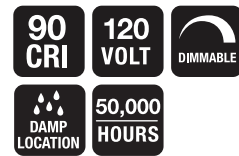


Top view



Item	Description	CCT	Lumens	(A) Width	(B) Height
4"					
S39055	8.5WLED/DW/EL/4/27K/120V	2700K	500	5"	1.94"
S39056	8.5WLED/DW/EL/4/30K/120V	3000K	500	5"	1.94"
S39057	8.5WLED/DW/EL/4/40K/120V	4000K	540	5"	1.94"
S39058	8.5WLED/DW/EL/4/50K/120V	5000K	540	5"	1.94"
6"					
S39061	11.6WLED/DW/EL/5-6/27K/120V	2700K	730	7.13"	1.94"
S39062	11.6WLED/DW/EL/5-6/30K/120V	3000K	730	7.13"	1.94"
S39063	11.6WLED/DW/EL/5-6/40K/120V	4000K	780	7.13"	1.94"
S39059	11.6WLED/DW/EL/5-6/50K/120V	5000K	780	7.13"	1.94"
Accessories					
80-946	Goof Ring 4" - Direct Wire DL - 6" Outside Diameter				
80-950	Rough-In Plate/4" Direct Wire				
80-947	Goof Ring 6" - Direct Wire DL - 8" Outside Diameter				
80-951	Rough-In Plate/6" Direct Wire				

Specifications



Certifications



*Consult Satco or visit www.satco.com for an up-to-date dimmer compatibility list. Product sheet SA2591
See warranty for details.

4" AND 6" DIRECT WIRE DOWNLIGHTS



Features:

- No Recessed Can Required
- Direct Replacement for 65 Watt Reflector
- Low Profile
- Integrated J-Box For Direct Wire Installation
- Saves Time and Materials
- Damp Location
- Dimmable*
- Easy Install Spring Clips
- Ic Rated
- 5 Year Warranty



4" AND 6" DIRECT WIRE DOWNLIGHTS



Top view



Top view



Item	Description	CCT	Lumens	(A) Width	(B) Height
4"					
S39011	7WLED/DW/RDL/4/27K/120V	2700K	450	5.69"	2.75"
S39012	7WLED/DW/RDL/4/30K/120V	3000K	450	5.69"	2.75"
S39013	7WLED/DW/RDL/4/40K/120V	4000K	490	5.69"	2.75"
S39021	7WLED/DW/RDL/4/50K/120V	5000K	490	5.69"	2.75"
Accessories					
80-946	Goof Ring 4" - Direct Wire DL - 6" Outside Diameter				
80-950	Rough-In Plate/4" Direct Wire				
6"					
S39026	9WLED/DW/RDL/5-6/27K/120V	2700K	620	6.69"	2.81"
S39027	9WLED/DW/RDL/5-6/30K/120V	3000K	620	6.69"	2.81"
S39028	9WLED/DW/RDL/5-6/40K/120V	4000K	700	6.69"	2.81"
S39029	9WLED/DW/RDL/5-6/50K/120V	5000K	700	6.69"	2.81"
Accessories					
80-947	Goof Ring 6" - Direct Wire DL - 8" Outside Diameter				
80-951	Rough-In Plate/6" Direct Wire				

Specifications



Certifications



*Consult Satco or visit www.satco.com for an up-to-date dimmer compatibility list. See warranty for details.

Product sheet SA2593

PRO SERIES REMOTE DRIVER COMMERCIAL DOWNLIGHTS - FIELD SELECTABLE



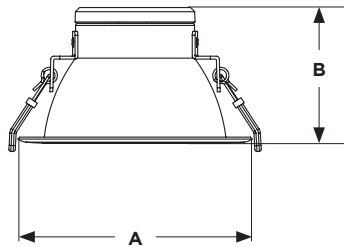
Features:

- Remote Driver and J Box with Knockouts
- Quick Connect Feature for Easy Installation
- 120-277 Range Voltage Circuit
- 0-10V Dimming*
- Damp Location
- 5 Year Warranty

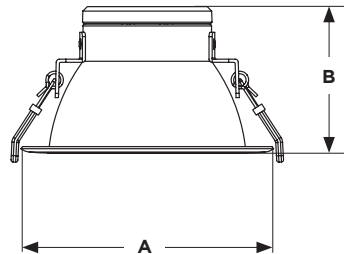


PRO SERIES REMOTE DRIVER COMMERCIAL DOWNLIGHTS - FIELD SELECTABLE

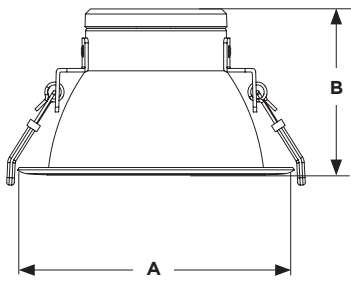
4 inch LED Commercial Downlight



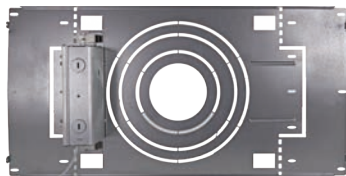
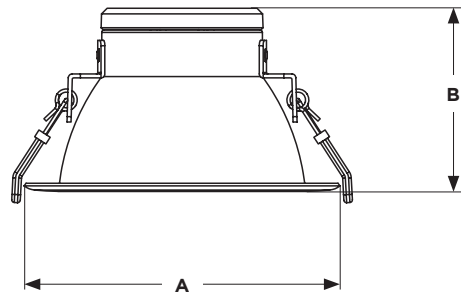
6 inch LED Commercial Downlight



8 inch LED Commercial Downlight



10 inch LED Commercial Downlight



Optional rough-in plate



Goof Ring

Specifications



Certifications



Item	Description	Watts	CCT	Lumens	(A) Width	(B) Height
S11810	LED/CDL/4/ADJ-CCT/80D	8.5W/11W/14.5W	2700K/3000K/3500K/4000K/5000K	600/800/1020	4.65"	2.69"
S11811	LED/CDL/6/ADJ-CCT/80D	11W/16W/23W	2700K/3000K/3500K/4000K/5000K	900/1200/1750	6.77"	3.84"
S11812	LED/CDL/8/ADJ-CCT/80D	19W/26W/32W	2700K/3000K/3500K/4000K/5000K	1600/2000/2450	9.06"	5.05"
S11813	LED/CDL/10/ADJ-CCT/80D	33W/40W/46W	2700K/3000K/3500K/4000K/5000K	2500/3000/3500	11.3"	5.63"
S11814	LED/CDL/4/ADJ-CCT/40D	8.5W/11W/14.5W	2700K/3000K/3500K/4000K/5000K	600/800/1020	4.65"	2.69"
S11815	LED/CDL/6/ADJ-CCT/40D	11W/16W/23W	2700K/3000K/3500K/4000K/5000K	900/1200/1750	6.77"	3.87"
S11816	LED/CDL/8/ADJ-CCT/40D	19W/26W/32W	2700K/3000K/3500K/4000K/5000K	1600/2000/2450	9.06"	5.05"
S11817	LED/CDL/10/ADJ-CCT/40D	33W/40W/46W	2700K/3000K/3500K/4000K/5000K	2500/3000/3500	11.3"	5.63"
Accessories						
80-946	Goof Ring 4" - 6" Outside Diameter					
80-947	Goof Ring 6" - 8" outside Diameter					
80-948	Goof Ring 8" - 10.88" Outside Diameter					
80-970	Goof Ring 10" - 13.25" Outside Diameter					
80-959	Rough-In Plate/CDL 4/6/8/10					
S8003	6W LED/CDL EM Driver					

*Consult Satco or visit www.satco.com for an up-to-date dimmer compatibility list. See warranty for details.

COMMERCIAL DOWNLIGHT EMERGENCY BATTERY BACKUP DRIVER



Features:

- 6 Watts / Up to 515 lumens in EM mode
- Led test switch and indicator light included
- Output and over-power protection
- 90 Minute battery run time
- Recharge 24 hours max.
- Long life, high temperature, recyclable lithium ion battery

Compatible with
Satco 4", 6", 8" and
10" Commercial
LED Downlights



COMMERCIAL DOWNLIGHT EMERGENCY BATTERY BACKUP DRIVER

Technical Description/Operation:

The Satco S8003 is a UL Listed emergency driver that allows the same LED fixture to be used for both normal and emergency operation. In the event of a power failure, it switches to the emergency mode and operates the existing for 90 minutes. The unit contains a battery, charger, and converter circuit in a single can and is available in different mounting configurations for use with the Satco LED Commercial Downlight series. The continual power design maintains the output wattage to the LED light sources resulting in non-diminishing brightness for the entire runtime.

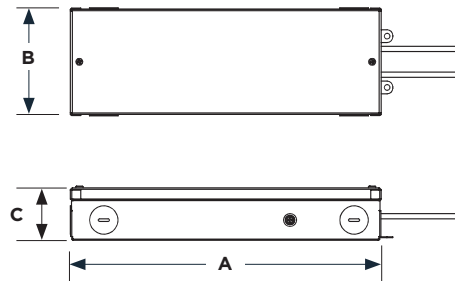


CAUTION: REPLACE BATTERY ONLY WITH YHBA2-3.3

Specifications:

- Input voltage: 120-277VAC, 50/60Hz
- Output voltage: 20-50VDC
- Output power: 6 Watts
- Power factor: > 0.5
- Emergency operation: 90 Minutes
- Operating temperature: 32° (0°C) to 140° F (60°C)
- Meets UL 924 for Emergency Lighting

Dimensions



Specifications



Certifications

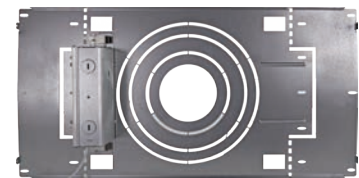


Item	Description	Watts	Volts	(A) Length	(B) Width	(C) Height
S8003	Comm. Downlight EM BU	6	100-277V	9.92"	3.3"	1.69"
Accessories						
80-959	Rough-In Plate/CDL 4/6/8/10					

S8003 Lumen output in EM mode (90 min.)

Only for use with:

Item	Size	Beam	Lumen Output
S11810	4"	80°	480
S11811	6"	80°	485
S11812	8"	80°	490
S11813	10"	80°	515
S11814	4"	40°	470
S11815	6"	40°	480
S11816	8"	40°	480
S11817	10"	40°	485



S8003 Emergency battery backup mounts directly to the 80-959 available rough-in plate.

See warranty for details.

Product sheet SA2410

PLUS SERIES COMMERCIAL DOWNLIGHTS - CCT SELECTABLE



Features:

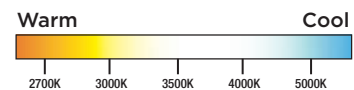
- Includes 18" Whip
- 120-277 Range Voltage Circuit
- 0-10V Dimming*
- 80CRI
- Damp Location
- cETLus Listed
- Energy Star Certified
- 5 Year Warranty



CCT Selectable



ColorQuick[®]
Selectable Color Technology



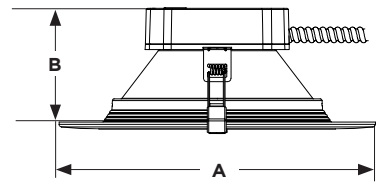
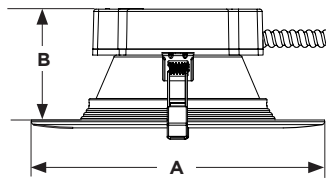
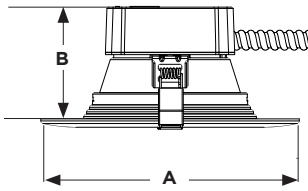
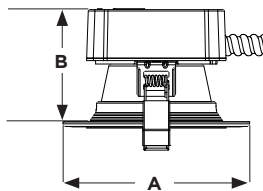
PLUS SERIES COMMERCIAL DOWNLIGHTS - CCT SELECTABLE

4" ECO Downlight
S11850

6" ECO Downlight
S11851

8" ECO Downlight
S11852

10" ECO Downlight
S11853



4", 6", 8" & 10" Rough-In Plates



4", 6", 8", & 10" Goof Rings



Emergency Driver Enclosure



5W Emergency LED Driver



10W Emergency LED Driver

Item	Description	Watts	CCT	Lumens	(A) Length	(B) Width
S11850	LED/4/FR/CCT/SLF/RD/FL/RND	12W	2700K/3000K/3500K/4000K/5000K	1200	4.96"	3.16"
S11851	LED/6/FR/CCT/SLF/RD/STB/RND	15W	2700K/3000K/3500K/4000K/5000K	1600	7.4"	3.46"
S11852	LED/8/FR/CCT/SLF/RD/FL/RND	22W	2700K/3000K/3500K/4000K/5000K	2200	9.76"	3.97"
S11853	LED/10/FR/CCT/SLF/RD/STB/RND	30W	2700K/3000K/3500K/4000K/5000K	3500	11.78"	4.49"
Accessories						
80-946	GOOF RING 4 - DIRECT WIRE DL					
80-947	GOOF RING 6 - DIRECT WIRE DL					
80-948	GOOF RING 8 - DIRECT WIRE DL					
80-970	GOOF RING 10 - COMMERCIAL DL					
80-959	ROUGH-IN PLATE / CDL 4/6/8/10					
80-973	EMERGENCY DRIVER ENCLOSURE					
S8000	5W EMERGENCY LED DRIVER					
S8002	10W EMERGENCY LED DRIVER					

Specifications



Certifications



Consult Satco or visit www.satco.com for an up-to-date dimmer compatibility list. See warranty for details.

Product sheet SA2921

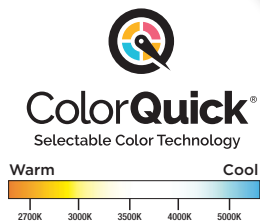
LED TRACK HEAD LIGHTING BEAM ADJUSTABLE | CCT SELECTABLE



Adjustable Track Head - Allows for Horizontal and Vertical Positioning

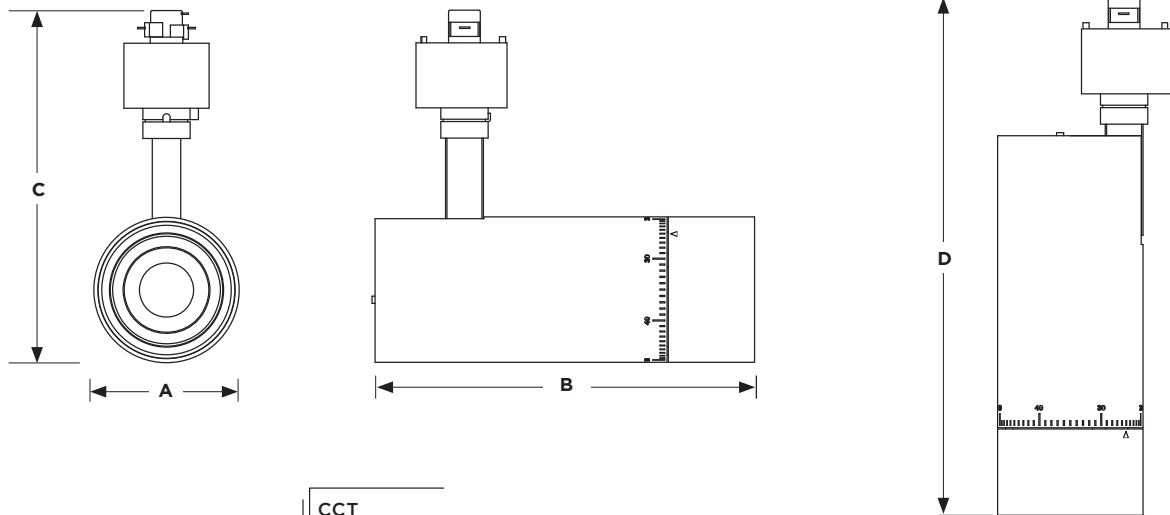
Features:

- Beam Adjustable from 20° to 50°
- 5 CCT Selectable
- 90 CRI High Quality Light
- SATCO H-Track Compatible
- Contemporary Design



Adjustable Beam Spread 20°-50°

LED TRACK HEAD LIGHTING BEAM ADJUSTABLE | CCT SELECTABLE



Specifications

90 CRI
120 VOLT
ADJUSTABLE BEAM
DIMMABLE
30,000 HOURS
3 Year Warranty

Certifications

ETL US
FC
RoHS COMPLIANT

Item	Finish	CCT Selectable	Watts	Lumens	Input Current	(A) Width	(B) Length	(C) Height	(D) Ext.
TH731	Matte White	2700K/3000K/3500K/4000K/5000K	15W	1050	0.13A	2.43"	6.31"	5.88"	8.63"
TH732	Matte Black	2700K/3000K/3500K/4000K/5000K	15W	1050	0.13A	2.43"	6.31"	5.88"	8.63"
TH741	Matte White	2700K/3000K/3500K/4000K/5000K	30W	2100	0.27A	3.14"	6.94"	6.63"	9.25"
TH742	Matte Black	2700K/3000K/3500K/4000K/5000K	30W	2100	0.27A	3.14"	6.94"	6.63"	9.25"

Item	Description	
TP247	Black Single Monopoint, Round, Steel	
TP248	White Single Monopoint, Round, Steel	
TP249	Black Triple Monopoint, Round, Steel	
TP250	White Triple Monopoint, Round, Steel	
TP142	White, Single Monopoint, Square, Plastic	
TP143	Black, Single Monopoint, Square, Plastic	

See warranty for details.

Product sheet SN1675

LED TRACK HEAD LIGHTING CCT SELECTABLE

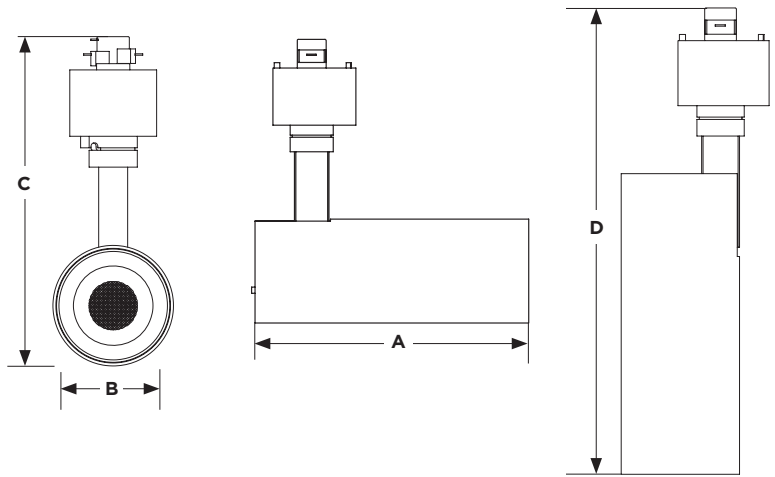


Features:

- 5 CCT Selectable
- 90 CRI High Quality Light
- SATCO H-Track Compatible
- Contemporary Design



LED TRACK HEAD LIGHTING CCT SELECTABLE



Specifications

90 CRI
120 VOLT
DIMMABLE
30,000 HOURS
3 Year Warranty

Certifications

ETL US
FC
RoHS COMPLIANT

Item	Finish	CCT Selectable	Watts	Lumens	Input Current	Beam Angle	(A) Length	(B) Width	(C) Height	(D) Ext.
TH701	Matte White	2700K/3000K/3500K/4000K/5000K	10W	700	0.09A	36°	5.00"	2.00"	5.38"	7.75"
TH702	Matte Black	2700K/3000K/3500K/4000K/5000K	10W	700	0.09A	36°	5.00"	2.00"	5.38"	7.75"
TH703	Matte White	2700K/3000K/3500K/4000K/5000K	10W	700	0.09A	48°	5.00"	2.00"	5.38"	7.75"
TH704	Matte Black	2700K/3000K/3500K/4000K/5000K	10W	700	0.09A	48°	5.00"	2.00"	5.38"	7.75"
TH711	Matte White	2700K/3000K/3500K/4000K/5000K	20W	1400	0.18A	36°	6.31"	2.43"	5.88"	8.63"
TH712	Matte Black	2700K/3000K/3500K/4000K/5000K	20W	1400	0.18A	36°	6.31"	2.43"	5.88"	8.63"
TH713	Matte White	2700K/3000K/3500K/4000K/5000K	20W	1400	0.18A	48°	6.31"	2.43"	5.88"	8.63"
TH714	Matte Black	2700K/3000K/3500K/4000K/5000K	20W	1400	0.18A	48°	6.31"	2.43"	5.88"	8.63"
TH721	Matte White	2700K/3000K/3500K/4000K/5000K	30W	2100	0.27A	36°	6.71"	3.14"	6.63"	9.06"
TH722	Matte Black	2700K/3000K/3500K/4000K/5000K	30W	2100	0.27A	36°	6.71"	3.14"	6.63"	9.06"
TH723	Matte White	2700K/3000K/3500K/4000K/5000K	30W	2100	0.27A	48°	6.71"	3.14"	6.63"	9.06"
TH724	Matte Black	2700K/3000K/3500K/4000K/5000K	30W	2100	0.27A	48°	6.71"	3.14"	6.63"	9.06"

Item	Description	
TP247	Black Single Monopoint, Round, Steel	
TP248	White Single Monopoint, Round, Steel	
TP249	Black Triple Monopoint, Round, Steel	
TP250	White Triple Monopoint, Round, Steel	
TP142	White, Single Monopoint, Square, Plastic	
TP143	Black, Single Monopoint, Square, Plastic	

See warranty for details.

Product sheet SN1681

PRO SERIES LED TRACK HEADS

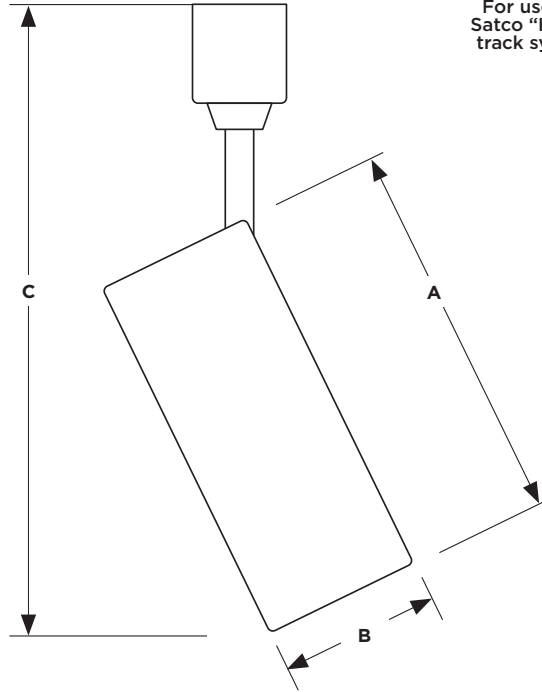


Features:

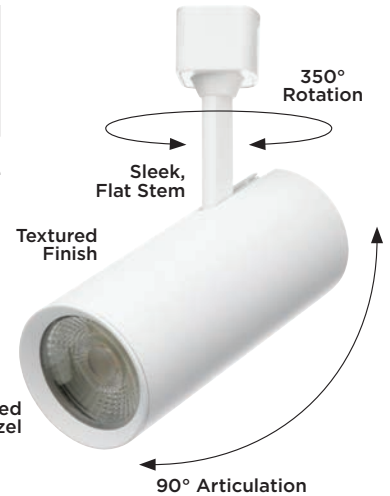
- Sleek Design, Rugged Construction
- Available in Black or White Textured Finish
- 10W/20W/30W Versions
- High CRI & R9 Values
- Multiple Lumen and Beam Angle Options
- Dimmable*



PRO SERIES LED TRACK HEADS



For use with Satco "H" type track systems



Item	Description	Watts	Lumens	Beam	(A) Length	(B) Height	(C) Ext.
TH601	Pro Series High Lumen - White	10W	600	24°	5.00"	2.00"	7.375"
TH602	Pro Series High Lumen - Black	10W	600	24°	5.00"	2.00"	7.375"
TH603	Pro Series High Lumen - White	10W	600	36°	5.00"	2.00"	7.375"
TH604	Pro Series High Lumen - Black	10W	600	36°	5.00"	2.00"	7.375"
TH611	Pro Series High Lumen - White	20W	1200	24°	6.13"	2.50"	8.50"
TH612	Pro Series High Lumen - Black	20W	1200	24°	6.13"	2.50"	8.50"
TH613	Pro Series High Lumen - White	20W	1200	36°	6.13"	2.50"	8.50"
TH614	Pro Series High Lumen - Black	20W	1200	36°	6.13"	2.50"	8.50"
TH621	Pro Series High Lumen - White	30W	2000	24°	7.13"	3.13"	9.25"
TH622	Pro Series High Lumen - Black	30W	2000	24°	7.13"	3.13"	9.25"
TH623	Pro Series High Lumen - White	30W	2000	36°	7.13"	3.13"	9.25"
TH624	Pro Series High Lumen - Black	30W	2000	36°	7.13"	3.13"	9.25"

*Consult Satco or visit www.satco.com for an up-to-date dimmer compatibility list. See warranty for details.

Product sheet NU1674

Specifications



Certifications



LED TRACK HEADS



Features:

- 24° And 36° Beam Angles
- Sleek, Clean Design
- Die Cast Construction
- 3 Year Warranty



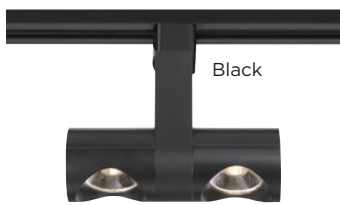
LED TRACK HEADS



Pipe
Width: 2.375", Height: 2.375",
Length: 3.375", Ext. 6.25"



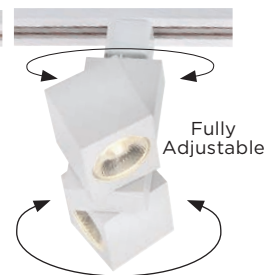
Square
Width: 2.75", Height: 2.25",
Length: 2.375", Ext. 5.5"



Pipe Dual
Width: 3.375", Height: 2.375",
Length: 2.375", Ext. 6"



Square Dual
Width: 6.75", Height: 2.375",
Length: 2.375", Ext. 6.5"



Item	Description	Watts	Beam	Lumens
TH441	Pipe - White	12W	24°	1020
TH443	Pipe - White	12W	36°	1020
TH442	Pipe - Black	12W	24°	1020
TH444	Pipe - Black	12W	36°	1020
TH445	Pipe - Brushed Nickel	12W	24°	1020
TH447	Pipe - Brushed Nickel	12W	36°	1020
TH461	Square - White	12W	24°	1020
TH463	Square - White	12W	36°	1020
TH462	Square - Black	12W	24°	1020
TH464	Square - Black	12W	36°	1020
TH465	Square - Brushed Nickel	12W	24°	1020
TH467	Square - Brushed Nickel	12W	36°	1020
TH480	Dual Pipe - Black	24W	24°	2040
TH481	Dual Pipe - Black	24W	36°	2040
TH482	Dual Pipe - White	24W	24°	2040
TH483	Dual Pipe - White	24W	36°	2040
TH484	Dual Square - Black	24W	24°	2040
TH485	Dual Square - Black	24W	36°	2040
TH486	Dual Square - White	24W	24°	2040
TH487	Dual Square - White	24W	36°	2040

Consult Satco or visit www.satco.com for an up-to-date dimmer compatibility list. See warranty for details.

Product sheet NU1634

Specifications



Certifications



LED TRACK HEADS



Features:

- 24° and 36° beam angles
- Sleek, clean design
- Die cast construction
- 3 Year warranty



LED TRACK HEADS



Black

Pinch Back
Width: 3.25", Height: 3.25",
Length: 3.625", Ext. 5.5"



Brushed Nickel

Angle Arm
Width: 2.75", Height: 2.75",
Length: 3.375", Ext. 5.75"



Black

Forged
Width: 2.75", Height: 2.75",
Length: 3", Ext. 6.25"



Brushed Nickel

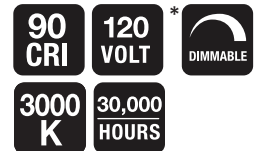
Piston
Width: 2.75", Height: 2.75",
Length: 2.75", Ext. 5.75"

Item	Description	Beam
TH411	Pinch Back - White	24°
TH413	Pinch Back - White	36°
TH412	Pinch Back - Black	24°
TH414	Pinch Back - Black	36°
TH415	Pinch Back - Brushed Nickel	24°
TH417	Pinch Back - Brushed Nickel	36°
TH421	Angle Arm - White	24°
TH423	Angle Arm - White	36°
TH422	Angle Arm - Black	24°
TH424	Angle Arm - Black	36°
TH425	Angle Arm - Brushed Nickel	24°
TH427	Angle Arm - Brushed Nickel	36°
TH488	Forged - Black	24°
TH489	Forged - Black	36°
TH490	Forged - White	24°
TH491	Forged - White	36°
TH492	Forged - Brushed Nickel	24°
TH493	Forged - Brushed Nickel	36°
TH494	Piston - Black	24°
TH495	Piston - Black	36°
TH496	Piston - White	24°
TH497	Piston - White	36°
TH498	Piston - Brushed Nickel	24°
TH499	Piston - Brushed Nickel	36°

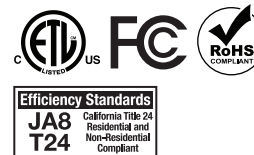
*Consult Satco or visit www.satco.com for an up-to-date dimmer compatibility list. See warranty for details.

Product sheet NU1634

Specifications



Certifications



LED TRACK HEADS 24° AND 36° BEAMS ANGLES

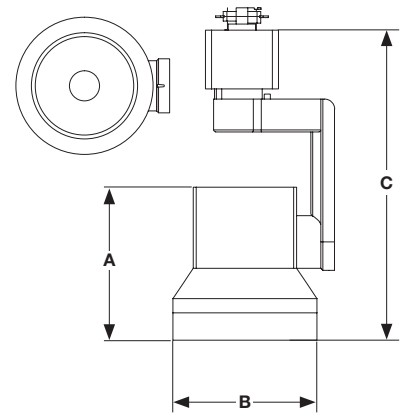
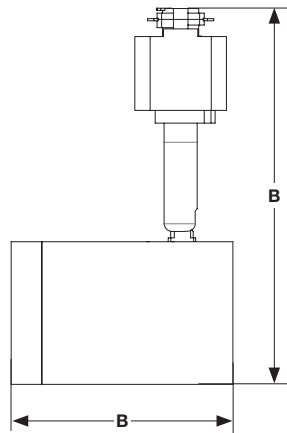
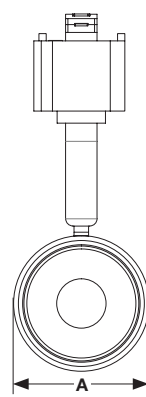
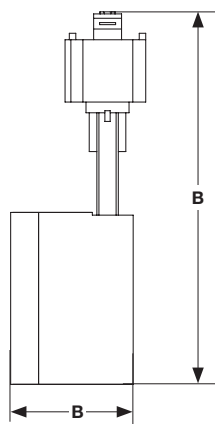
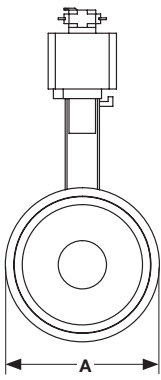


Features:

- 90 CRI High Quality Light
- 24° and 36° Beam Angles
- SATCO H-TRACK COMPATIBLE
- Contemporary Design
- Black, White, or BRUSHED NICKEL Finishes



LED TRACK HEADS 24° AND 36° BEAMS ANGLES



Item	Description	Finish	Beam	(A) Length	(B) Width	(C) Ext.
TH401	Round	White	24°	2.25"	3.25"	6.25"
TH403	Round	White	36°	2.25"	3.25"	6.25"
TH402	Round	Black	24°	2.25"	3.25"	6.25"
TH404	Round	Black	36°	2.25"	3.25"	6.25"
TH405	Round	Brushed Nickel	24°	2.25"	3.25"	6.25"
TH407	Round	Brushed Nickel	36°	2.25"	3.25"	6.25"
TH471	Small Cylinder	White	24°	3.375"	2.25"	5.38"
TH473	Small Cylinder	White	36°	3.375"	2.25"	5.38"
TH472	Small Cylinder	Black	24°	3.375"	2.25"	5.38"
TH474	Small Cylinder	Black	36°	3.375"	2.25"	5.38"
TH475	Small Cylinder	Brushed Nickel	24°	3.375"	2.25"	5.38"
TH477	Small Cylinder	Brushed Nickel	36°	3.375"	2.25"	5.38"
TH635	Round LED	Matte Black/Brushed Brass	24°	2.25"	3.25"	6.25"
TH636	Round LED	Matte Black/Brushed Nickel	24°	2.25"	3.25"	6.25"
TH645	Round LED	Matte Black/Brushed Brass	36°	2.25"	3.25"	6.25"
TH646	Round LED	Matte Black/Brushed Nickel	36°	2.25"	3.25"	6.25"
TH637	Small Cylinder LED	Matte Black/Brushed Brass	24°	3.375"	2.25"	5.38"
TH638	Small Cylinder LED	Matte Black/Brushed Nickel	24°	3.375"	2.25"	5.38"
TH647	Small Cylinder LED	Matte Black/Brushed Brass	36°	3.375"	2.25"	5.38"
TH648	Small Cylinder LED	Matte Black/Brushed Brass	36°	3.375"	2.25"	5.38"
TH651	Round LED	White	24°	2.75"	3.00"	6.00"
TH652	Round LED	Black	24°	2.75"	3.00"	6.00"
TH653	Round LED	Brushed Nickel	24°	2.75"	3.00"	6.00"
TH661	Round LED	White	36°	2.75"	3.00"	6.00"
TH662	Round LED	Black	36°	2.75"	3.00"	6.00"
TH663	Round LED	Brushed Nickel	36°	2.75"	3.00"	6.00"

Specifications



Certifications



Consult Satco or visit www.satco.com for an up-to-date dimmer compatibility list. See warranty for details.

Product sheet NU1634

LED TRACK HEADS



Features:

- 24° and 36° beam angles
- Sleek, clean design
- Die cast construction
- 3 Year warranty



LED TRACK HEADS



Taper Back
Width: 2.875", Height: 2.875",
Length: 2.75", Ext. 5.75"



Barrel
Width: 2.25",
Height: 2.25",
Length: 3.75", Ext. 5.75"



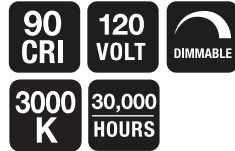
Cinch
Width: 2.25", Height: 2.25",
Length: 3.75", Ext. 5.75"

Item	Description	Finish	Beam Angle
TH431	Barrel	White	24°
TH433	Barrel	White	36°
TH432	Barrel	Black	24°
TH434	Barrel	Black	36°
TH435	Barrell	Brushed Nickel	24°
TH437	Barrel	Brushed Nickel	36°
TH451	Taper Back	White	24°
TH453	Taper Back	White	36°
TH452	Taper Back	Black	24°
TH454	Taper Back	Black	36°
TH455	Taper Backl	Brushed Nickel	24°
TH457	Taper Back	Brushed Nickel	36°
TH631	Cinch LED	Matte Black	24°
TH632	Cinch LED	Matte White	24°
TH633	Cinch LED	Matte Black/Brushed Brass	24°
TH634	Cinch LED	Matte Black/Brushed Nickel	24°
TH641	Cinch LED	Matte Black	36°
TH642	Cinch LED	White	36°
TH643	Cinch LED	Matte Black/Brushed Brass	36°
TH644	Cinch LED	Black/Nickel	36°

See warranty for details.

Product sheet NU1442

Specifications



Certifications



SMART LED TRACK HEADS ROUND AND PINCH BACK STYLES



Features:

- Compatible with SATCO Single Circuit H-Track Systems
- STARFISH® Smart Enabled Product
- Advanced Pairing Technology
- RGB Color-changing & Tunable White
- Pre-set and Custom Color-Changing Effects

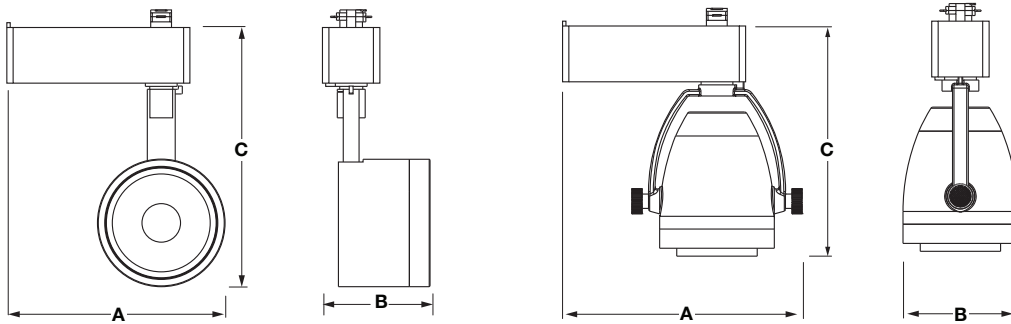


STARFISH®
Controlled with App



Millions of Colors

Warm to Cool Tunable White

SMART LED TRACK HEADS ROUND AND PINCH BACK STYLES



Item	Finish	CCT Selectable	Watts	Lumens	Shape	(A) Width	(B) Length	(C) Ext.
TH903	Matte White	2000K-5000K	12W	1100	Round	5.38"	2.25"	6.38"
TH904	Matte Black	2000K-5000K	12W	1100	Round	5.38"	2.25"	6.38"
TH913	Matte White	2000K-5000K	12W	1100	Pinch Back	5.91"	2.83"	5.63"
TH914	Matte Black	2000K-5000K	12W	1100	Pinch Back	5.91"	2.83"	5.63"

Item	Description
TP176	Offset Monopoint: Square; White Finish 
TP177	Offset Monopoint: Square; Black Finish 

Specifications



Certifications



LED LINEAR TRACK BAR

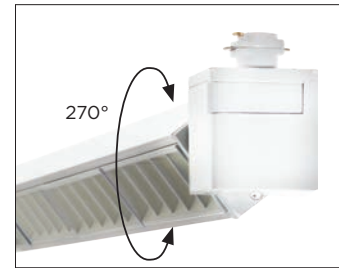


Features:

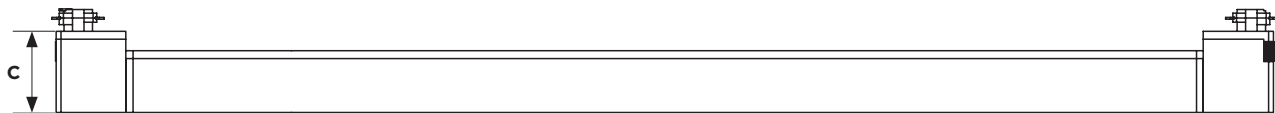
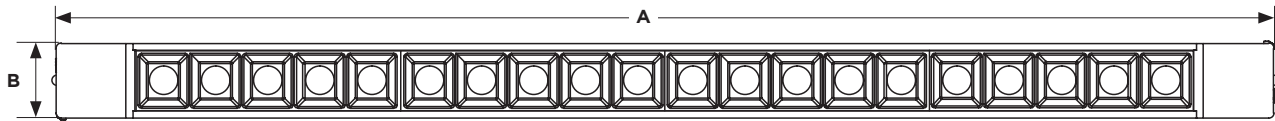
- Installs directly onto track
- Rotates 270
- Perfect for wall washing
- Gallery lighting
- 4 Sizes available
- 3 year warranty



LED LINEAR TRACK BAR



Linear Track Bar
Rotates 270°

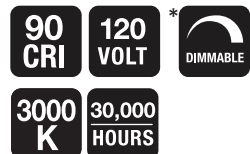


Item	Description	Watts	Lumens	Beam	(A) Length	(B) Width	(C) Height
TH500	1 Ft. Track Bar - White	15W	960	30°	13.5"	1.5"	1.625"
TH501	1 Ft. Track Bar - Black	15W	960	30°	13.5"	1.5"	1.625"
TH502	2 Ft. Track Bar - White	30W	1920	30°	24.00"	1.5"	1.625"
TH503	2 Ft. Track Bar - Black	30W	1920	30°	24.00"	1.5"	1.625"
TH504	3 Ft. Track Bar - White	45W	2880	30°	34.375"	1.5"	1.625"
TH505	3 Ft. Track Bar - Black	45W	2880	30°	34.375"	1.5"	1.625"
TH506	4 Ft. Track Bar - White	60W	3840	30°	44.75"	1.5"	1.625"
TH507	4 Ft. Track Bar - Black	60W	3840	30°	44.75"	1.5"	1.625"

*Consult Satco or visit www.satco.com for an up-to-date dimmer compatibility list. See warranty for details.

Product sheet NU1634

Specifications



Certifications



LED MONOPOINTS



Features:

- Instant Accent Lighting
- Adjustable Head
- Wall & Ceiling Application
- 3 Year Warranty



LED MONOPOINTS



Item	Description	Beam	(A) Length	(B) Width	(C) Height	(D) Ext.
62-1105	Barrel Mono-Point - Black	36°	3.00"	4.75"	2.75"	4.75"
62-1106	Barrel Mono-Point - White	36°	3.00"	4.75"	2.75"	4.75"
62-1107	Taper Back Mono-Point - Black	36°	2.75"	4.75"	2.75"	4.75"
62-1108	Taper Back Mono-Point - White	36°	2.75"	4.75"	2.75"	4.75"

*Consult Satco or visit www.satco.com for an up-to-date dimmer compatibility list. See warranty for details.

Product sheet NU1634

Specifications

90 CRI **120 VOLT** **DIMMABLE**
3000 K **30,000 HOURS**

Certifications

LED TRACK KITS



Features:

- Black, White Or Brushed Nickel Finish
- 3 Head Kits With Popular Styles
- 3060 Lumens - 1020 Lumens Per Head
- 36 Watts - 12 Watts per Head
- 36° Beam Angles
- Die Cast Construction
- 3 Year Warranty
- Includes 4' Track, Floating Canopy
- Power Feed, All Mounting Hardware



LED TRACK KITS



Round
White



Pinch Back
Black



Angle Arm
Brushed Nickel



3 Conductor "H"
type connector



Track with end
cap removed

Item	Description	Max Watts	Max Lumens	Beam
TK403	Round 3 Light - White	36W	3060	36°
TK404	Round 3 Light - Black	36W	3060	36°
TK407	Round 3 Light - Brushed Nickel	36W	3060	36°
TK413	Pinch Back 3 Light - White	36W	3060	36°
TK414	Pinch Back 3 Light - Black	36W	3060	36°
TK417	Pinch Back 3 Light - Brushed Nickel	36W	3060	36°
TK423	Angle Arm 3 Light - White	36W	3060	36°
TK424	Angle Arm 3 Light - Black	36W	3060	36°
TK427	Angle Arm 3 Light - Brushed Nickel	36W	3060	36°

*Consult Satco or visit www.satco.com for an up-to-date dimmer compatibility list. Product sheet NU1634 See warranty for details.

Specifications



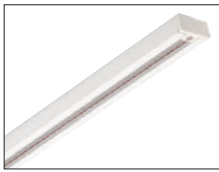
Certifications



TRACK AND ACCESSORIES

Item	Description	Finish	Length	Width	Height	Cert.
TR118	2 Foot Track, 2 dead end caps, all mounting hardware	White	24"	1.313"	.625"	Dry
TR119	2 Foot Track, 2 dead end caps, all mounting hardware	Black	24"	1.313"	.625"	Dry
TR120	4 Foot Track, 2 dead end caps, all mounting hardware	White	48"	1.313"	.625"	Dry
TR121	4 Foot Track, 2 dead end caps, all mounting hardware	Black	48"	1.313"	.625"	Dry
TR122	8 Foot Track, 2 dead end caps, all mounting hardware	White	96"	1.313"	.625"	Dry
TR123	8 Foot Track, 2 dead end caps, all mounting hardware	Black	96"	1.313"	.625"	Dry
TR124	6 Foot Track, 2 dead end caps, all mounting hardware	White	72"	1.313"	.625"	Dry
TR125	6 Foot Track, 2 dead end caps, all mounting hardware	Black	72"	1.313"	.625"	Dry
TR126	2 Foot Track, 2 dead end caps, all mounting hardware	Brushed Nickel	24"	1.313"	.625"	Dry
TR127	4 Foot Track, 2 dead end caps, all mounting hardware	Brushed Nickel	48"	1.313"	.625"	Dry
TR128	6 Foot Track, 2 dead end caps, all mounting hardware	Brushed Nickel	72"	1.313"	.625"	Dry
TR129	8 Foot Track, 2 dead end caps, all mounting hardware	Brushed Nickel	96"	1.313"	.625"	Dry
TR131	2 Foot Track, 2 dead end caps, all mounting hardware	Russet Bronze	24"	1.313"	.625"	Dry
TR132	4 Foot Track, 2 dead end caps, all mounting hardware	Russet Bronze	48"	1.313"	.625"	Dry
TR133	6 Foot Track, 2 dead end caps, all mounting hardware	Russet Bronze	72"	1.313"	.625"	Dry
TR134	8 Foot Track, 2 dead end caps, all mounting hardware	Russet Bronze	96"	1.313"	.625"	Dry
TP185	Drop Ceiling T-Bar Clips, for attaching Track Lighting to Drop Ceilings; 4 Pc.	Metal Plain	1.50"	0.5"	.88"	Dry

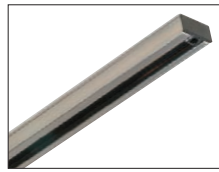
Tracks Includes two dead end caps and all mounting hardware.



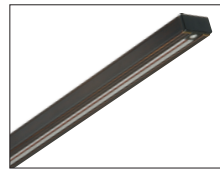
TR120



TR121



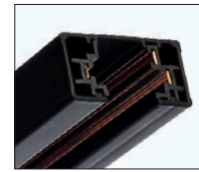
TR127



TR131



Used with
3 Conductor "H"
type connector



Track with end
cap removed

Current Limiters

Item	AMP	Finish
TL100	.5	White
TL101	1	White
TL102	2	White
TL103	3	White
TL104	5	White
TL105	8	White
TL106	12	White

Item	AMP	Finish
TL110	.5	Black
TL111	1	Black
TL112	2	Black
TL113	3	Black
TL114	5	Black
TL115	8	Black
TL116	12	Black



Extensions Lowers Track Heads to desired height

Item	Description	Size	Finish
TP159	Extension	18 INCH	White
TP160	Extension	24 INCH	White
TP161	Extension	36 INCH	White
TP162	Extension	48 INCH	White

Item	Description	Size	Finish
TP163	Extension	18 INCH	Black
TP164	Extension	24 INCH	Black
TP165	Extension	36 INCH	Black
TP166	Extension	48 INCH	Black



24" Pendant Suspension Kit

Kit Includes: canopy, stem, support and power feed

ACCESSORIES

TP178 White
TP179 Black



TP159 18" Extension

Shown with PAR38 track head and 120V monopoint adapter

TRACK ACCESSORIES

TRACK | CURRENT LIMITERS | EXTENSIONS | ADAPTORS | ETC.

Pendant Track Adapters Supports up to 10 lbs.



LOOP ADAPTER	
Item	Finish
TP215	White
TP216	Black
TP217	Brown



TRACK ADAPTER	
Item	Finish
TP231	White
TP232	Black
TP233	Brown



STEM-HUNG ADAPTER	
Item	Finish
TP244	White
TP245	Black
TP246	Brown

Monopoint Adapters



LOW VOLTAGE (12V)	
Item	Finish
TP176	White
TP177	Black



LINE VOLTAGE (120V)	
Item	Finish
TP142	White
TP143	Black

Cord Kit



LINE VOLTAGE (120V)	
Item	Finish
TP156	White
TP157	Black
TP201	Brown

Canopies & Live Ends Providing electricity to tracks in various formats



FLOATING	
Item	Finish
TP154	White
TP155	Black
TP202	Brown



CONDUIT LIVE END	
Item	Finish
TP169	White
TP170	Black
TP203	Brown
TP269	White REV. POL.
TP270	Black REV. POL.



LIVE END & CANOPY	
Item	Finish
TP152	White
TP153	Black
TP204	Brown



INLINE FEED	
Item	Finish
TP171	White
TP172	Black
TP211	Brown

Connectors Connecting tracks in various formats



STRAIGHT	
Item	Finish
TP144	White
TP145	Black
TP205	Brown



"L" CONNECTOR (90° angles)	
Item	Finish
TP146	White
TP147	Black
TP208	Brown
TP234	White REV. POL.
TP235	Black REV. POL.
TP236	Brown REV. POL.



"T" CONNECTOR	
Item	Finish
TP148	White
TP149	Black
TP207	Brown
TP237	White REV. POL.
TP238	Black REV. POL.
TP239	Brown REV. POL.



"X" CONNECTOR	
Item	Finish
TP150	White
TP151	Black
TP206	Brown



FLEXIBLE	
Item	Finish
TP167	White
TP168	Black
TP209	Brown

Drop Ceiling T-Bar Track Clips

TP185

TRACK AND ACCESSORIES ADAPTERS | CONNECTORS

Monopoint Adapters

Item	Description	Finish	Case Qty
TP247	Single Monopoint Adapter; Round	Black	24
TP248	Single Monopoint Adapter; Round	White	24
TP249	Triple Monopoint Adapter; Round	Black	12
TP250	Triple Monopoint Adapter; Round	White	12
TP251	Double Monopoint Adapter; Rectangular	Black	12
TP252	Double Monopoint Adapter; Rectangular	White	12
TP253	Triple Monopoint Adapter; Rectangular	Black	12
TP254	Triple Monopoint Adapter; Rectangular	White	12



TP 247 Single; Round



TP249 Triple; Round



TP248 Single; Round



TP250 Triple; Round



TP251 Double;
Rectangular



TP253 Triple;
Rectangular



TP252 Double;
Rectangular



TP254 Triple;
Rectangular

Outlet Track Adapters

Item	Description	Finish	Case Qty
TP255	Outlet Track Adapter; Black Finish	Black	100
TP256	Outlet Track Adapter; White Finish	White	100
TP257	Outlet Track Adapter; Brown Finish	Brown	100



TP255; Black Finish



TP256; White Finish



TP257; Brown Finish

Sloped Ceiling Track Adapters

Item	Description	Finish	Case Qty
TP258	Sloped Ceiling Track Adapter; Black Finish	Black	100
TP259	Sloped Ceiling Track Adapter; White Finish	White	100
TP260	Sloped Ceiling Track Adapter; Brown Finish	Brown	100



TP258;
Black Finish



TP259;
White Finish



TP260;
Brown Finish

TRACK AND ACCESSORIES ADAPTERS | CONNECTORS

Stem Hung Pendant Track Adapters

Item	Description	Finish	Case Qty
TP244	Stem Hung Pendant Track Adapter; White Finish	White	100
TP245	Stem Hung Pendant Track Adapter; Black Finish	Black	100
TP246	Stem Hung Pendant Track Adapter; Brown Finish	Brown	100



Track Suspension Kits

Item	Description	Finish	Case Qty
TP240	Track Suspension Aircraft Cable; White Canopy	White	48
TP241	Track Suspension Aircraft Cable; Black Canopy	Black	48
TP242	Track Suspension Aircraft Cable; Brushed Nickel Canopy	Nickel	48



L and T Shaped and Live End Feed Connectors (Reverse Polarity)

Item	Description	Finish	Case Qty
TP234	L Connector; Reverse Polarity; Black Finish	Black	12
TP235	L Connector; Reverse Polarity; White Finish	White	12
TP236	L Connector; Reverse Polarity; Brown Finish	Brown	12
TP237	T Connector; Reverse Polarity; Black Finish	Black	12
TP238	T Connector; Reverse Polarity; White Finish	White	12
TP239	T Connector; Reverse Polarity; Brown Finish	Brown	12
TP269	Live End Connector; Reverse Polarity Conduit; White Finish	White	48
TP270	Live End Connector; Reverse Polarity Conduit; Black Finish	Black	48



COUNTERQUICK® LINKABLE UNDER CABINET LIGHTING - CCT SELECTABLE



Features:

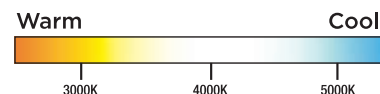
- CCT Selectable 3000K, 4000K, 5000K
- 8", 11", 14", 22", 28" and 34" lengths
- Sleek design - only 1" deep
- Linkable up to 96 units
- Direct wire, plug in or J-box
- Many available accessories
- 5 Year warranty



COUNTERQUICK™
LED Linkable Under Cabinet Fixture



ColorQuick®
Selectable Color Technology

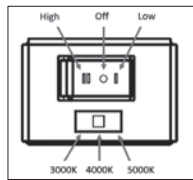


COUNTERQUICK® LINKABLE UNDER CABINET LIGHTING - CCT SELECTABLE

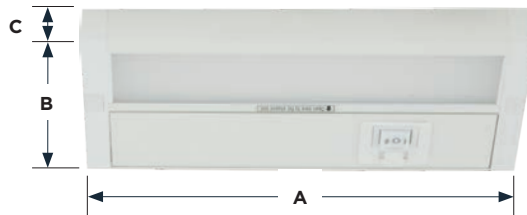
An innovative, sleek lighting solution for virtually any under cabinet application



Linkable Up To 96 Units



Color Temperature and Hi-Low Selectable



LINK UP TO:

63-500	96 units
63-501	72 units
63-502	48 units
63-503	36 units
63-504	22 units

Optional accessories that add versatility and make installation easy



Power Cord
63-510



Link Cable
63-515 (6"), 63-516 (12"), 63-517 (24")



Male-to-Female link Connector
63-518



Junction Box / Plastic
63-513



Junction Box / Metal
63-514



3/8" Wire Connector
63-512



End Connector
63-511

Specifications



Certifications



Item	Description	CCT Selectable	Watts	Lumens	Volts	Connection Qty	(A) Length	(B) Width	(C) Height
63-500	8" LED CCT Select-Wht	3000K/4000K/5000K	5W	325-366	120V	Up to 96	8"	3.5"	1"
63-501	11" LED CCT Select-Wht	3000K/4000K/5000K	6.5W	408-456	120V	Up to 72	11"	3.5"	1"
63-502	14" LED CCT Select-Wht	3000K/4000K/5000K	9W	577-647	120V	Up to 48	14"	3.5"	1"
63-503	22" LED CCT Select-Wht	3000K/4000K/5000K	13W	859-956	120V	Up to 36	22"	3.5"	1"
63-504	28" LED CCT Select-Wht	3000K/4000K/5000K	17W	1216-1366	120V	Up to 22	28"	3.5"	1"
63-505	34" LED CCT Select-Wht	3000K/4000K/5000K	20W	1500	120V	Up to 16	34"	3.5"	1"
63-520	8" LED CCT Select-DK BN	3000K/4000K/5000K	5W	322-366	120V	Up to 96	8"	3.5"	1"
63-521	11" LED CCT Select-DK BN	3000K/4000K/5000K	6.5W	408-456	120V	Up to 72	11"	3.5"	1"
63-522	14" LED CCT Select-DK BN	3000K/4000K/5000K	9W	577-647	120V	Up to 48	14"	3.5"	1"
63-523	22" LED CCT Select-DK BN	3000K/4000K/5000K	13W	859-956	120V	Up to 36	22"	3.5"	1"
63-524	28" LED CCT Select-DK BN	3000K/4000K/5000K	17W	1216-1366	120V	Up to 22	28"	3.5"	1"
63-525	34" LED CCT Select-DK BN	3000K/4000K/5000K	20W	1500	120V	Up to 16	34"	3.5"	1"

Accessories

Item	Description	Finish	Master
63-510	Under Cabinet Power Cord	White	96
*63-511	Under Cabinet End Connector	White	96
63-512	Under Cabinet 3/8in. Wire Connector	White	96
63-513	Under Cabinet Junction Box - Plastic	White	48
63-514	Under Cabinet Junction Box - Metal	Silver	48
63-515	Under Cabinet Link Cable 6in.	White	96
63-516	Under Cabinet Link Cable 12in.	White	96
63-517	Under Cabinet Link Cable 24in.	White	96
63-518	Under Cabinet Cable Link Connector	White	96
63-519	Single to Double Y-Splitter Cable	White	100
63-530	Under Cabinet Power Cord	Black	96
63-531	Under Cabinet Junction Box - Plastic	Dark Bronze	48
63-532	Under Cabinet Junction Box - Metal	Dark Bronze	48
63-533	Under Cabinet Link Cable 6in.	Black	96
63-534	Under Cabinet Link Cable 12in.	Black	96
63-535	Under Cabinet Link Cable 24in.	Black	96
63-536	Under Cabinet Cable Link Connector	Black	96
63-537	Single to Double Y-Splitter Cable	Black	100

Consult Satco or visit www.satco.com for an up-to-date dimmer compatibility list. See warranty for details. Product sheet NU1668

COUNTERQUICK® SLIM UNDER CABINET - CCT SELECTABLE

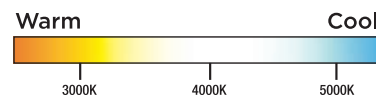


Features:

- CCT Selectable 3000K, 4000K, 5000K
- 6", 10", 21" and 30" lengths
- Sleek design - only 1" deep
- Connecting Cable, Power Cord or J-box with Switch
- 5 Year warranty



ColorQuick®
Selectable Color Technology



COUNTERQUICK® SLIM UNDER CABINET - CCT SELECTABLE

An innovative, sleek lighting solution for virtually any under cabinet application



CCT Selectable Switch

Linkable Up To 96 Units and CCT Select Switch



Slim Accessories



Power Cord
63-411



Switched Junction Box
63-412



L-Connector Right & Left
63-415 & 63-416



Cable Splitter Single to Double
63-417



Direct End to End Connector
63-413



End to End Coupler
63-414



Connecting Cable
63-418 (3")
63-419 (6")
63-420 (12")
63-421 (18")
63-422 (24")

Specifications



Certifications



Item	Description	CCT Selectable	Watts	Lumens	Volts	Connection Qty	(A) Length	(B) Width	(C) Height
63-401	6" LED CCT Select Slim-WHT	3000K/4000K/5000K	2W	130	120V	up to 150	6"	0.71"	0.83"
63-402	10" LED CCT Select Slim-WHT	3000K/4000K/5000K	4W	250	120V	up to 75	10"	0.71"	0.83"
63-403	21" LED CCT Select Slim-WHT	3000K/4000K/5000K	8W	500	120V	up to 37	21"	0.71"	0.83"
63-404	30" LED CCT Select Slim-WHT	3000K/4000K/5000K	10W	725	120V	up to 30	30"	0.71"	0.83"
63-451	6" LED CCT Select Slim-BLK	3000K/4000K/5000K	2W	130	120V	up to 150	6"	0.71"	0.83"
63-452	10" LED CCT Select Slim-BLK	3000K/4000K/5000K	4W	250	120V	up to 75	10"	0.71"	0.83"
63-453	21" LED CCT Select Slim-BLK	3000K/4000K/5000K	8W	500	120V	up to 37	21"	0.71"	0.83"
63-454	30" LED CCT Select Slim-BLK	3000K/4000K/5000K	10W	725	120V	up to 30	30"	0.71"	0.83"

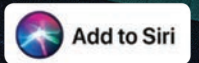
Accessories

Item	Description	Finish	Master
63-411	8' Line Switch & Power Cord	White	48
63-412	Switched Junction Box	White	48
63-413	Direct End-to-End Connector	White	48
63-414	End-to-End Connector	White	48
63-415	L-Connector Right	White	48
63-416	L-Connector Left	White	48
63-417	Cable Splitter Single to Double	White	48
63-418	Connecting Cable 3"	White	48
63-419	Connecting Cable 6"	White	48
63-420	Connecting Cable 12"	White	48
63-421	Connecting Cable 18"	White	48
63-422	Connecting Cable 24"	White	48
63-431	Counter Quick Slim Clip Flat	Clear	48
63-432	Counter Quick Slim Clip Angle	Clear	48
63-461	8' Line Switch & Power Cord	Black	48
63-462	Switched Junction Box	Black	48
63-463	Direct End-to-End Connector	Black	48
63-464	End-to-End Connector	Black	48
63-465	L-Connector Right	Black	48
63-466	L-Connector Left	Black	48
63-467	Cable Splitter Single to Double	Black	48
63-468	Connecting Cable 3"	Black	48
63-469	Connecting Cable 6"	Black	48
63-470	Connecting Cable 12"	Black	48
63-471	Connecting Cable 18"	Black	48
63-472	Connecting Cable 24"	Black	48

Included End-to-End Connector can be reordered if needed
Consult Satco or visit www.satco.com for an up-to-date dimmer compatibility list.
Available in White and Black
See warranty for details.

Product sheet NU175

COUNTERQUICK® LINKABLE UNDER CABINET LIGHTING - SMART



 **STARFISH™**
live life enlightened

WIFI 
2.4GHz
NO HUB NEEDED

Features:

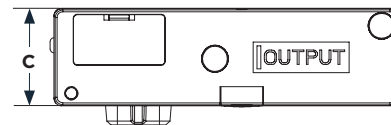
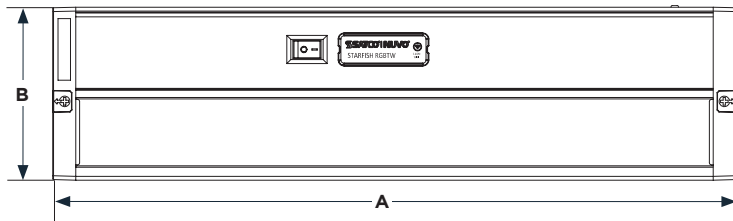
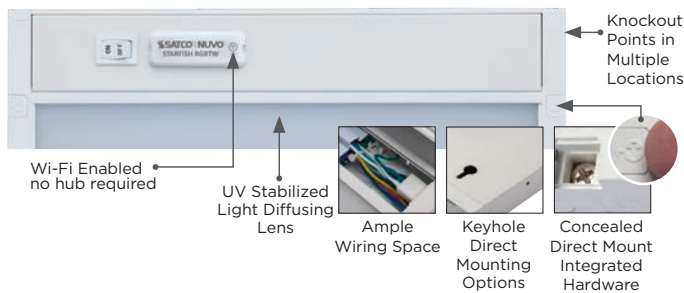
- Starfish Wi-Fi Technology
- Color Changing RGB and Warm-to-Cool Tunable White
- Superior Light Quality, Color and Energy Savings
- Dimmable via APP
- Wi-Fi Enabled
no Hub Required
- Dry Location Rated
for Indoor Use


COUNTERQUICK®
LED Linkable Under Cabinet Fixture

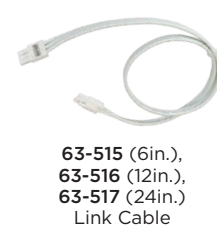
COUNTERQUICK® LINKABLE UNDER CABINET LIGHTING - SMART



(location of knockout points and keyholes may vary based on fixture size)



OPTIONAL ACCESSORIES

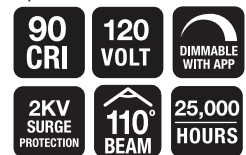


Item	Description	Watts	Lumens	Voltage	Connection Qty	(A) Length	(B) Width	(C) Height
63-551	11" LED RGB Smart	6.5W	450	120V	up to 72	11.00"	3.54"	1"
63-552	14" LED RGB Smart	9W	650	120V	up to 48	14.00"	3.54"	1"
63-553	22" LED RGB Smart	13W	920	120V	up to 36	22.00"	3.54"	1"
63-554	28" LED RGB Smart	17W	1350	120V	up to 22	28.00"	3.54"	1"
63-555	34" LED RGB Smart	20W	1500	120V	up to 18	34.00"	3.54"	1"

Accessories

Item	Description	Finish	Master
63-510	Under Cabinet Power Cord	White	96
*63-511	Under Cabinet End Connector	White	96
63-512	Under Cabinet 3/8in. Wire Connector	White	96
63-513	Under Cabinet Junction Box - Plastic	White	48
63-514	Under Cabinet Junction Box - Metal	Silver	48
63-515	Under Cabinet Link Cable 6in.	White	96
63-516	Under Cabinet Link Cable 12in.	White	96
63-517	Under Cabinet Link Cable 24in.	White	96
63-518	Under Cabinet Cable Link Connector	White	96
63-519	Single to Double Y-Splitter Cable	White	100
63-530	Under Cabinet Power Cord	Black	96
63-531	Under Cabinet Junction Box - Plastic	Dark Bronze	48
63-532	Under Cabinet Junction Box - Metal	Dark Bronze	48
63-533	Under Cabinet Link Cable 6in.	Black	96
63-534	Under Cabinet Link Cable 12in.	Black	96
63-535	Under Cabinet Link Cable 24in.	Black	96
63-536	Under Cabinet Cable Link Connector	Black	96
63-537	Single to Double Y-Splitter Cable	Black	100

Specifications



Certifications



*Included End-to-End Connector can be reordered if needed
Consult Satco or visit www.satco.com for an up-to-date dimmer compatibility list.
See warranty for details. Product sheet NU1668

UNDER CABINET LIGHT BAR PLUG - IN



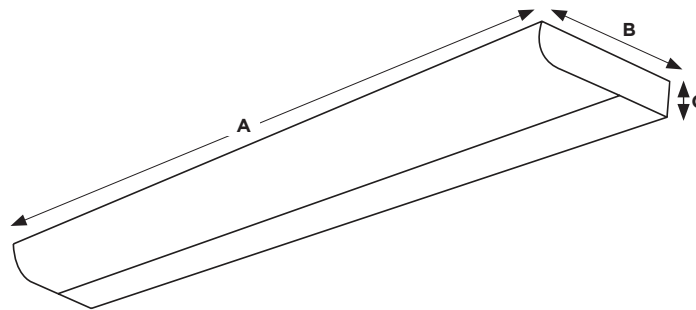
Features:

- 18" and 24" lengths
- Sleek design - only 1" deep
- Easy installation - Keyhole or 3M™ tape mounting
- Simple plug-in operation
- Damp location
- Standalone fixture




COUNTERQUICK®
LED Linkable Under Cabinet Fixture

UNDER CABINET LIGHT BAR PLUG - IN



Item	Description	Watts	Lumens	(A) Length	(B) Width	(C) Height
63-700	18" Light bar	10W	860	18.11"	2.63"	0.75"
63-701	24" Light bar	13.5W	1050	24.11"	2.63"	0.75"

See warranty for details.

Product sheet NU1671

Specifications



Certifications



LED HI-PRO SHOP LIGHT - 8" ROUND



Features:

- Rugged Design
- Wide Light Distribution
- 6' Cord with Molded Plug
- Plug-In or Hard Wire Installation
- Available in 3K, 4K, 5K CCT
- Threaded Lock Clasp
- 5 Year warranty



LED HI-PRO SHOP LIGHT - 8" ROUND



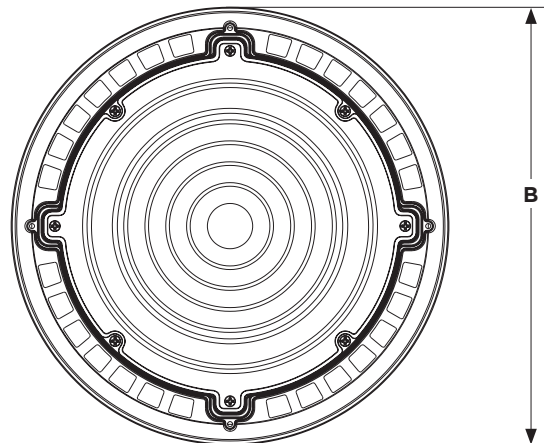
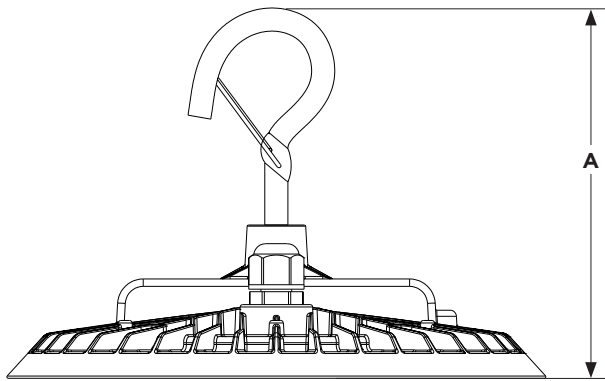
CAGE
(65-956)



YOKE MOUNT
(65-957, 65-958)



SUSPENSION KIT
(65-959)



Item	Finish	CCT	Watts	Lumens	Efficacy	Input Current	(A) Height	(B) Diameter
65-960	Black	3000K	60W	6274	105 LPW	0.500A	5.63"	8.27"
65-961	Black	4000K	60W	6777	113 LPW	0.500A	5.63"	8.27"
65-962	Black	5000K	60W	6900	115 LPW	0.500A	5.63"	8.27"
65-963	Black	3000K	80W	8523	107 LPW	0.677A	5.63"	8.27"
65-964	Black	4000K	80W	9071	114 LPW	0.677A	5.63"	8.27"
65-965	Black	5000K	80W	9210	115 LPW	0.677A	5.63"	8.27"
65-970	White	3000K	60W	6274	105 LPW	0.500A	5.63"	8.27"
65-971	White	4000K	60W	6777	113 LPW	0.500A	5.63"	8.27"
65-972	White	5000K	60W	6900	115 LPW	0.500A	5.63"	8.27"
65-973	White	3000K	80W	8523	107 LPW	0.677A	5.63"	8.27"
65-974	White	4000K	80W	9071	114 LPW	0.677A	5.63"	8.27"
65-975	White	5000K	80W	9210	115 LPW	0.677A	5.63"	8.27"

Accessories

Item	Description
65-956	Cage
65-957	Yoke Mount Black
65-958	Yoke Mount White
65-959	Suspension Kit

Specifications

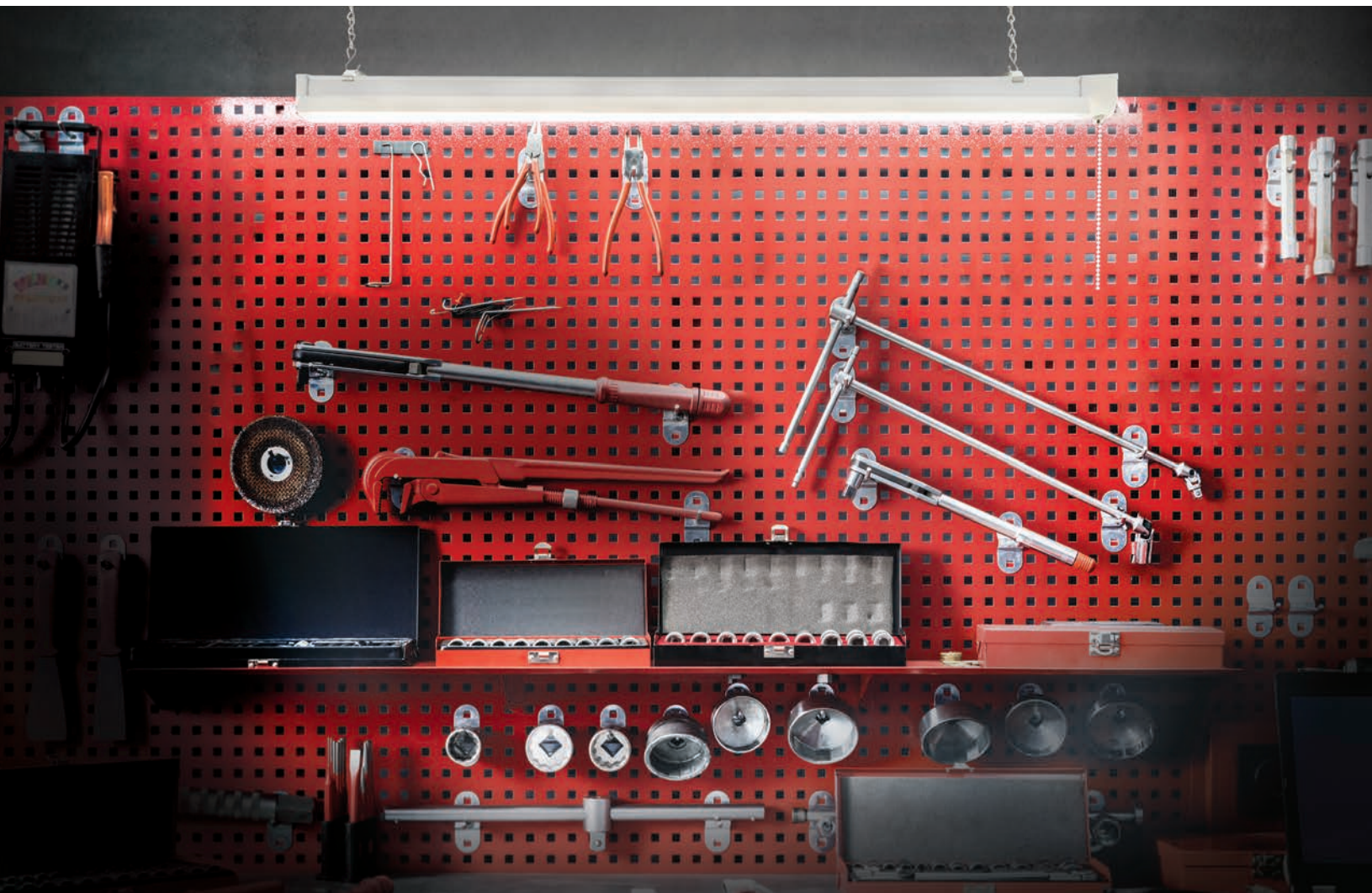


Certifications



Product sheet NU1808

SHOP LIGHTS

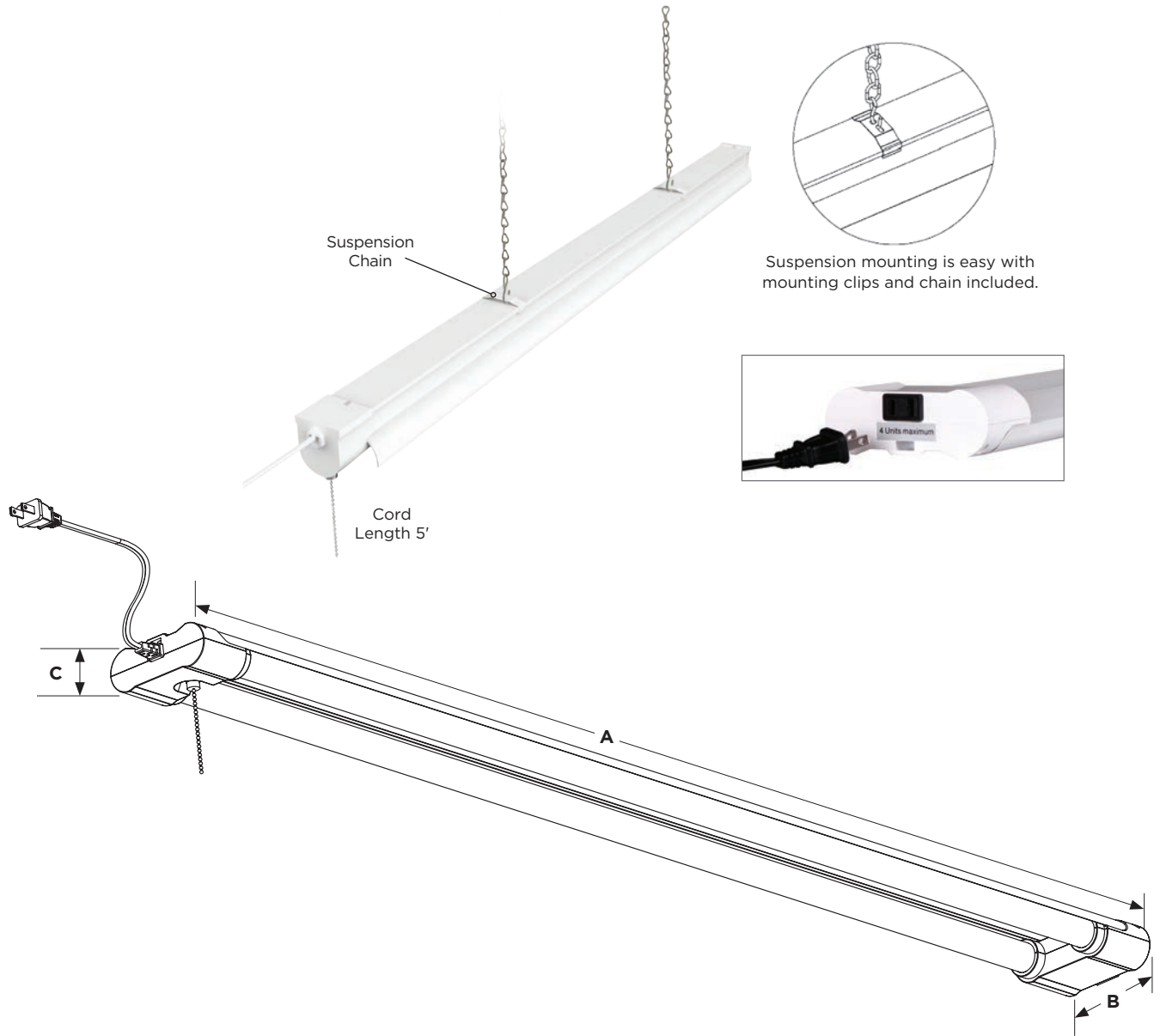


Features:

- Hanging or flush mount installation
- 5' Power cord
- 6" Hanging cables, mounting screws and drywall anchors included
- Linkable up to 4 fixtures (62-928)
- On/off pull chain
- Easy installation
- 5 Year warranty



SHOP LIGHTS



Item	Description	Watts	Lumens	(A) Length	(B) Width	(C) Height
*62-927	3' Non-Linkable Shop Light - White	34W	3000	35.98"	2.36"	1.81"
**62-928	4' Linkable Shop Light - White	42W	4200	49.66"	4.31"	1.56"

See warranty for details.

Product sheet NU1648

Specifications

120 VOLT
DAMP LOCATION
4000 K
50,000 HOURS

Certifications

BLINK PRO® SURFACE MOUNTED LED DOWNLIGHT CCT SELECTABLE

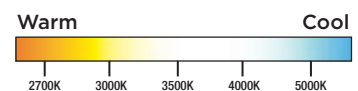


Features:

- Reduced Height / Curved Profile / Chamfered Bezel
- Designer Die-Cast Construction
- 5 cct Selectable
- Enhanced Driver Filtering
- Built-In Surge Protection
- Operating Temperature:
-40°C (-4°F) to +40°C (+104°F)
- Quick install mounting Bracket



ColorQuick®
Selectable Color Technology



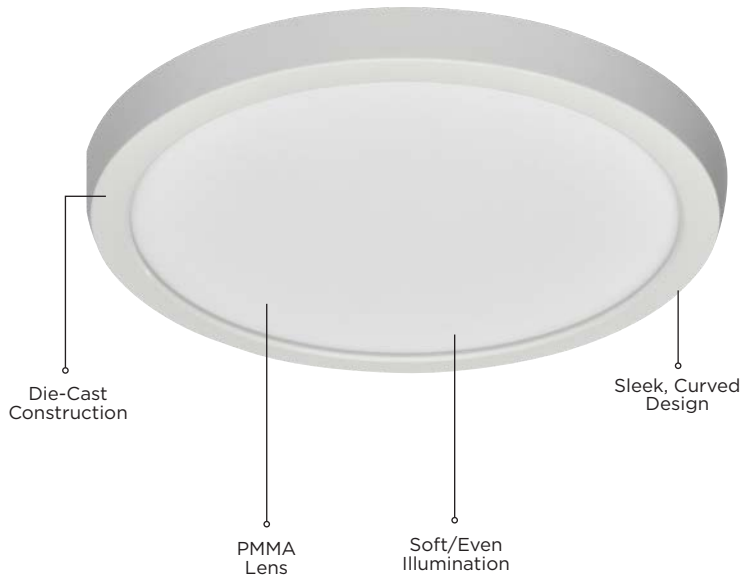
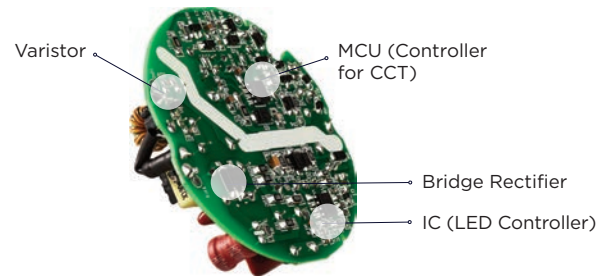
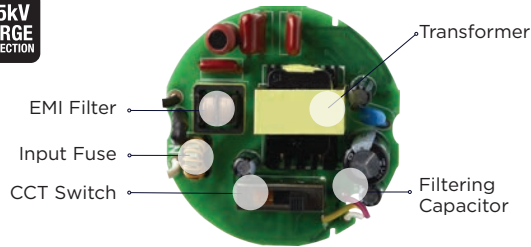
BLINK PRO[®] SURFACE MOUNTED LED DOWNLIGHT CCT SELECTABLE

DRIVER SPECIFICATIONS

- Robust External Driver Design
- 2.5 kV Surge Protection/Fused
- EMI Filter
- Inline Filter
- Varistor for Smooth Dimming
- CCT Selectable



**2.5kV
SURGE
PROTECTION**



Blink[®] Pro 5", 7", and 9" Available Finishes:
White | Black | Bronze | Brushed Nickel



BLINK PRO® SURFACE MOUNTED LED DOWNLIGHT 120V VERSION CCT SELECTABLE

Specifications



Certifications



Item	Size	Shape	Finish	CCT Seletable	Watts	Lumens	Efficacy (Up to LPW)	Input Current @ 120	Clonet Rated
62-1700	5"	Round	White	2700K/3000K/3500K/4000K/5000K	9W	700-780	86.67	0.075A	√
62-1701	5"	Round	Black	2700K/3000K/3500K/4000K/5000K	9W	650-680	75.56	0.075A	√
62-1702	5"	Round	Bronze	2700K/3000K/3500K/4000K/5000K	9W	650-680	75.56	0.075A	√
62-1703	5"	Round	Br. Nickel	2700K/3000K/3500K/4000K/5000K	9W	650-680	75.56	0.075A	√
62-1710	7"	Round	White	2700K/3000K/3500K/4000K/5000K	11W	980-1050	95.45	0.092A	√
62-1711	7"	Round	Black	2700K/3000K/3500K/4000K/5000K	11W	900-950	86.36	0.092A	√
62-1712	7"	Round	Bronze	2700K/3000K/3500K/4000K/5000K	11W	900-950	86.36	0.092A	√
62-1713	7"	Round	Br. Nickel	2700K/3000K/3500K/4000K/5000K	11W	900-950	86.36	0.092A	√
62-1720	9"	Round	White	2700K/3000K/3500K/4000K/5000K	13W	1300-1320	101.54	0.108A	*
62-1721	9"	Round	Black	2700K/3000K/3500K/4000K/5000K	13W	1200-1250	96.15	0.108A	*
62-1722	9"	Round	Bronze	2700K/3000K/3500K/4000K/5000K	13W	1200-1250	96.15	0.108A	*
62-1723	9"	Round	Br. Nickel	2700K/3000K/3500K/4000K/5000K	13W	1200-1250	96.15	0.108A	*
62-1704	5"	Square	White	2700K/3000K/3500K/4000K/5000K	9W	680-730	81.11	0.075A	√
62-1705	5"	Square	Black	2700K/3000K/3500K/4000K/5000K	9W	600-680	75.56	0.075A	√
62-1706	5"	Square	Bronze	2700K/3000K/3500K/4000K/5000K	9W	600-680	75.56	0.075A	√
62-1707	5"	Square	Br. Nickel	2700K/3000K/3500K/4000K/5000K	9W	600-680	75.56	0.075A	√
62-1714	7"	Square	White	2700K/3000K/3500K/4000K/5000K	11W	940-1000	90.91	0.092A	√
62-1715	7"	Square	Black	2700K/3000K/3500K/4000K/5000K	11W	800-850	77.27	0.092A	√
62-1716	7"	Square	Bronze	2700K/3000K/3500K/4000K/5000K	11W	800-850	77.27	0.092A	√
62-1717	7"	Square	Br. Nickel	2700K/3000K/3500K/4000K/5000K	11W	800-850	77.27	0.092A	√
62-1724	9"	Square	White	2700K/3000K/3500K/4000K/5000K	13W	1200-1300	100.00	0.108A	*
62-1725	9"	Square	Black	2700K/3000K/3500K/4000K/5000K	13W	1032-1150	88.46	0.108A	*
62-1726	9"	Square	Bronze	2700K/3000K/3500K/4000K/5000K	13W	1032-1150	88.46	0.108A	*
62-1727	9"	Square	Br. Nickel	2700K/3000K/3500K/4000K/5000K	13W	1032-1150	88.46	0.108A	*

NON EM 0-10V 120/277V *Not to be used with Blink® Pro 0-10V Emergency Battery Backup Units

Item	Size	Shape	Finish	Watts	Lumens	CCT	Efficacy (LPW)	Input Current @120/277V	Clonet Rated
62-1718	7"	Round	White	11W	980	3000K	89.09	0.092/0.040A	*
62-1733	7"	Round	White	11W	980	4000K	78.40	0.104/0.045A	*
62-1728	9"	Round	White	13W	1300	3000K	92.31	0.108/0.047A	*
62-1743	9"	Round	White	13W	1300	4000K	76.47	0.142/0.061A	*
62-1719	7"	Square	White	11W	940	3000K	92.31	0.092/0.040A	*
62-1734	7"	Square	White	11W	940	4000K	75.20	0.104/0.045A	*
62-1729	9"	Square	White	13W	1200	3000K	92.31	0.108/0.047A	*
62-1744	9"	Square	White	13W	1200	4000K	70.59	0.142/0.061A	*

*Consult NEC Code for Dimensional Parameters for installation in clothes closets.

EM 0-10V 120/277V *Compatible with Blink® Pro 0-10V Emergency Battery Backup Units

Item	Size	Shape	Finish	Watts	Lumens	CCT	Efficacy (LPW)	Input Current @ 120 / 277V	Clonet Rated
*62-1746	7"	Round	White	11W	980	3000K	89.09	0.092/0.040A	*
*62-1747	7"	Square	White	11W	940	3000K	92.31	0.092/0.040A	*
*62-1756	9"	Round	White	13W	1300	3000K	92.31	0.108/0.047A	*
*62-1757	9"	Square	White	13W	1200	3000K	92.31	0.108/0.047A	*
*62-1748	7"	Round	White	12.5W	980	4000K	78.40	0.104/0.045A	*
*62-1749	7"	Square	White	12.5W	940	4000K	75.20	0.104/0.045A	*
*62-1758	9"	Round	White	17W	1300	4000K	76.47	0.142/0.061A	*
*62-1759	9"	Square	White	17W	1200	4000K	70.59	0.142/0.061A	*

PERMITTED ZERO CLEARANCE FROM STORAGE MATERIAL

See page 191 for Emergency Battery Backup Units

Complies with NEC 410.16(A)(3) & NEC 410.16(C)(5) Certified under UL 1598, suitable for clothes closet installation.

√ = 5" & 7" Comply for Zero Clearance Applications

9" Consult NEC Code for Dimensional Parameters for installation in clothes closets.

Specifications



Certifications



Specifications



Certifications



BLINK PRO® SURFACE MOUNTED LED DOWNLIGHT 120V VERSION CCT SELECTABLE

DIMENSIONS - 120V MODELS

(A) Diameter/Length	(B) Inside Diameter/Length	(C) Trim Height	(D) Overall Height	(E) Driver Height	(F) Driver Diameter
5" Round	3.62"	0.67"	1.59"	.92"	2.36"
7" Round	5.62"	0.67"	1.59"	.92"	2.36"
9" Round	7.62"	0.67"	1.59"	.92"	2.36"
5" Square	3.62"	0.67"	1.59"	.92"	2.36"
7" Square	5.62"	0.67"	1.59"	.92"	2.36"
9" Square	7.62"	0.67"	1.59"	.92"	2.36"

DIMENSIONS - 120/277V MODELS

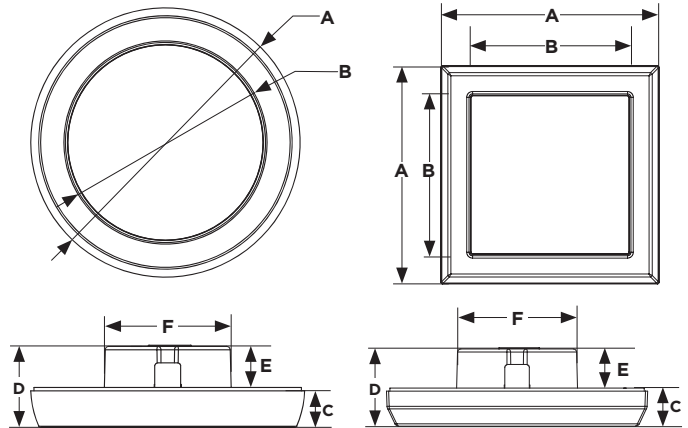
(A) Diameter/Length	(B) Inside Diameter/Length	(C) Trim Height	(D) Overall Height	(E) Driver Height	(F) Driver Diameter
7" Round	5.62"	0.67"	1.50"	.83"	2.36"
9" Round	7.62"	0.67"	1.50"	.83"	2.36"
7" Square	5.62"	0.67"	1.50"	.83"	2.36"
9" Square	7.62"	0.67"	1.50"	.83"	2.36"

TRIMS ACCESSORIES

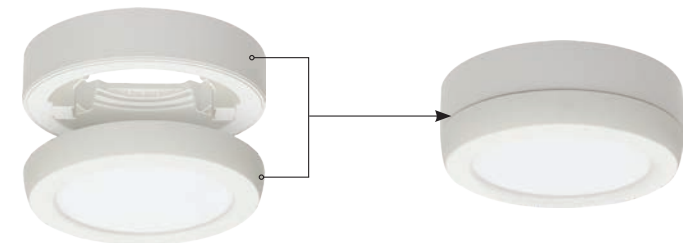
Item	Size	Finish	Shape
25-1700	5"	White	Round
25-1701	5"	Black	Round
25-1702	5"	Bronze	Round
25-1710	7"	White	Round
25-1711	7"	Black	Round
25-1712	7"	Bronze	Round
25-1713	7"	Brushed Nickel	Round
25-1720	9"	White	Round
25-1721	9"	Black	Round
25-1722	9"	Bronze	Round
25-1723	9"	Brushed Nickel	Round
25-1704	5"	White	Square
25-1705	5"	Black	Square
25-1706	5"	Bronze	Square
25-1714	7"	White	Square
25-1715	7"	Black	Square
25-1716	7"	Bronze	Square
25-1717	7"	Brushed Nickel	Square
25-1724	9"	White	Square
25-1725	9"	Black	Square
25-1726	9"	Bronze	Square
25-1727	9"	Brushed Nickel	Square



Mix and Match Trims for an Artistic Look
Extension Collars come in White, Black and Bronze Finishes.



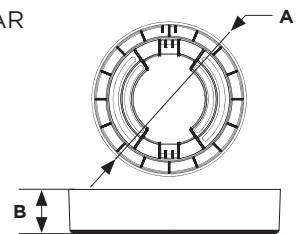
Extension Collar for Tight Installations



Driver Fits Most 3" & 4" J Box Installations with a Minimum Interior Cubic Volume of 14" – for tighter installations use extension collar accessories

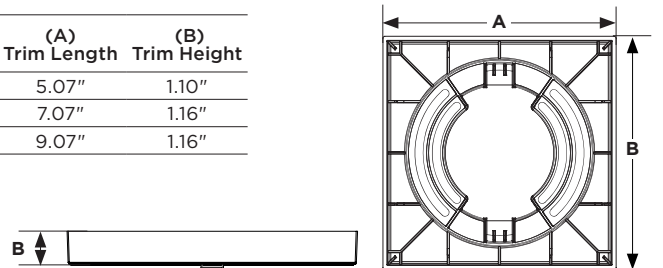
DIMENSIONS - ROUND COLLAR

(A) Diameter	(B) Trim Height
5.07"	1.10"
7.07"	1.16"
9.07"	1.16"



DIMENSIONS - SQUARE COLLAR

(A) Trim Length	(B) Trim Height
5.07"	1.10"
7.07"	1.16"
9.07"	1.16"



BLINK® PRO+ SURFACE MOUNTED LED FIXTURES CCT SELECTABLE

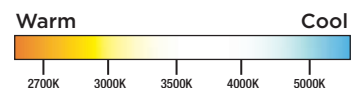


Features:

- Chamfered Bezel
- Designer Die-Cast Construction
- 5 CCT selectable
- Enhanced Driver Filtering
- Built-In Surge Protection
- Quick install mounting Bracket

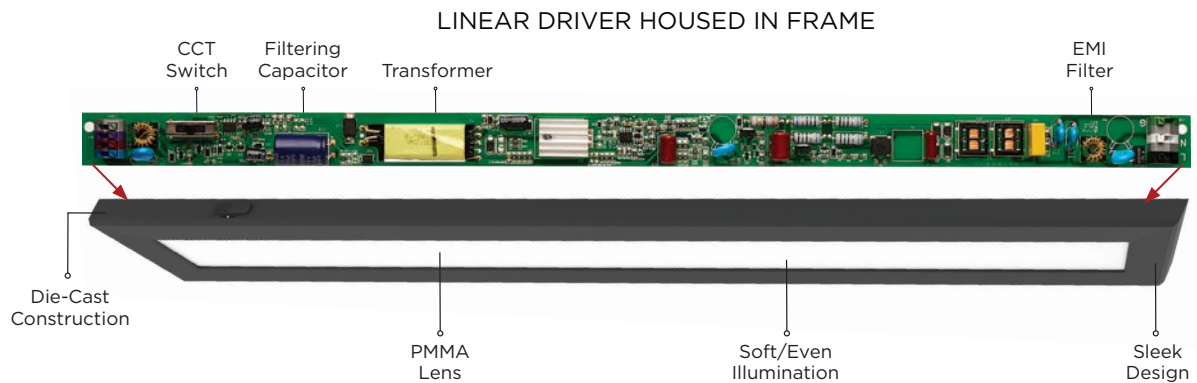
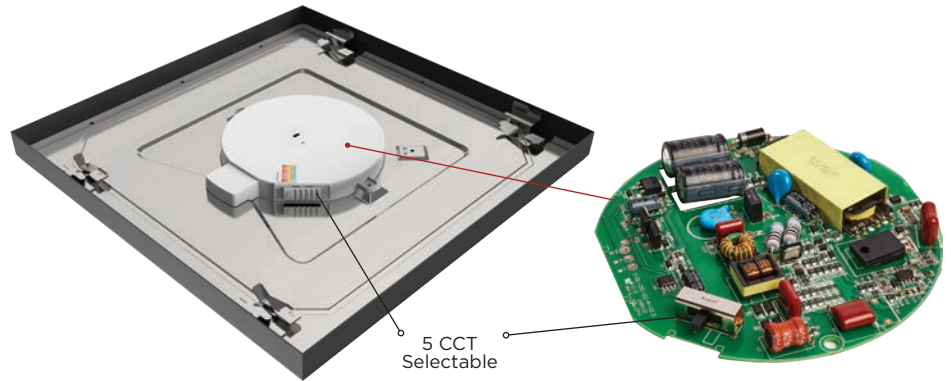


ColorQuick®
Selectable Color Technology



BLINK® PRO+ SURFACE MOUNTED LED FIXTURES CCT SELECTABLE

LOW PROFILE
EXTERNAL DRIVER

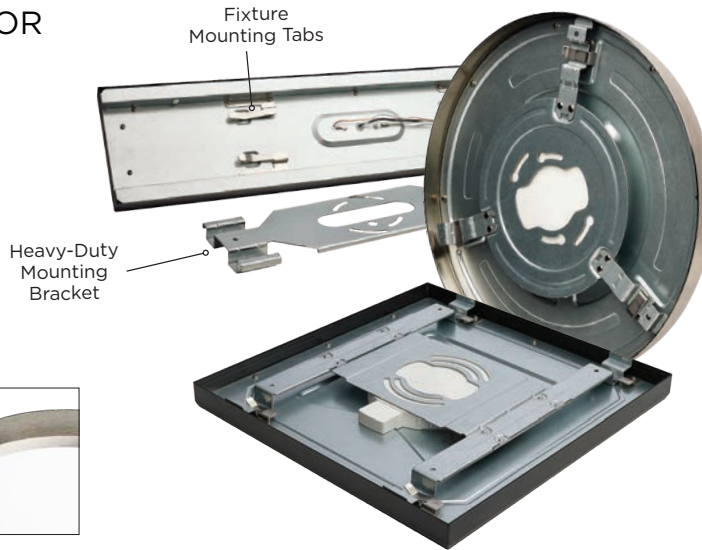


DRIVER SPECIFICATIONS

- Robust Driver Design
- 2.5 kV Surge Protection/Fused
- EMI Filter
- Inline Filter
- Varistor for Smooth Triac dimming
- CCT Selectable

BLINK® PRO+ SURFACE MOUNTED LED FIXTURES CCT SELECTABLE

MOUNTING BRACKETS FOR SIMPLE INSTALLATION



Blink® Pro + Available Finishes:
White | Black | Brushed Nickel*



*12" Models only

Item	Shape	Finish	Watts	Lumens	Efficacy (Up to LPW)	Input Current @ 120/277V
Round						
62-1776	Round	White	19.5W	1450-1520	77.95	0.163/0.070A
62-1777	Round	White	29W	2200-2320	80.00	0.242/0.105A
62-1778	Round	White	34W	2600-2740	80.59	0.283/0.123A
62-1786	Round	Black	19.5W	1350-1420	72.82	0.163/0.070A
62-1787	Round	Black	29.5W	2100-2220	75.25	0.246/0.106A
62-1788	Round	Black	34W	2500-2640	77.65	0.283/0.123A
62-1796	Round	Brushed Nickel	19.5W	1350-1470	75.40	0.163/0.070A
Square						
62-1779	Square	White	19.5W	1400-1470	75.38	0.163/0.070A
62-1789	Square	Black	19.5W	1300-1370	70.26	0.163/0.070A
62-1799	Square	Brushed Nickel	19.5W	1300-1410	72.30	0.163/0.070A
62-1774	Square	White	47W	3600-4050	86.17	0.392/0.170A
62-1784	Square	Black	47W	3550-3900	82.98	0.392/0.170A
Linear						
62-1770	Rectangular	White	24W	1650-1870	77.92	0.2/0.087A
62-1771	Rectangular	White	32W	2150-2400	75.00	0.267/0.116A
62-1772	Rectangular	White	42W	2850-3100	73.81	0.35/0.152
62-1780	Rectangular	Black	24W	1600-1750	72.92	0.2/0.087A
62-1781	Rectangular	Black	32W	2100-2300	71.88	0.267/0.115A
62-1782	Rectangular	Black	42W	2800-2950	70.24	0.350/0.152A
62-1773	Rectangular	White	24W	1650-1900	79.17	0.2/0.087A
62-1775	Rectangular	White	47W	3500-4050	86.17	0.392/0.170A
62-1783	Rectangular	Black	24W	1650-1850	77.08	0.2/0.087A
62-1785	Rectangular	Black	47W	3450-3800	80.85	0.392/0.170A

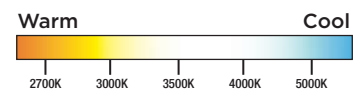
Specifications



Certifications



ColorQuick®
Selectable Color Technology



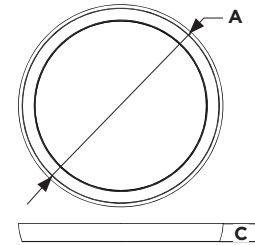
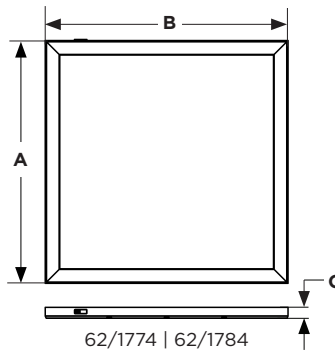
This device complies with Part 15 of the FCC Rules. Operation is subject to the following two conditions: (1) this device may not cause harmful interference, and (2) this device must accept any interference received, including interference that may cause undesired operation. Fixture may not be compatible with all dimmers.

Specifications are subject to change without prior notice.

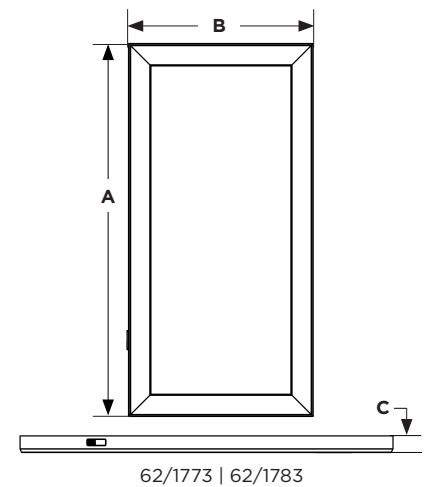
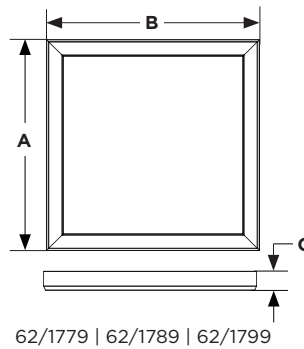
BLINK® PRO+ SURFACE MOUNTED LED FIXTURES CCT SELECTABLE

DIMENSIONS

Item	(A) Diameter/Length	(B) Width	(C) Height
62-1779	12"	12"	1.06"
62-1789	12"	12"	1.06"
62-1799	12"	12"	1.06"
62-1776	12"	--	1.06"
62-1777	15"	--	1.06"
62-1778	19"	--	1.06"
62-1786	12"	--	1.06"
62-1787	15"	--	1.06"
62-1788	19"	--	1.06"
62-1796	12"	--	1.06"
62-1773	23.70"	11.83"	1.06"
62-1783	23.70"	11.83"	1.06"
62-1774	23.70"	23.70"	1.10"
62-1784	23.70"	23.70"	1.10"

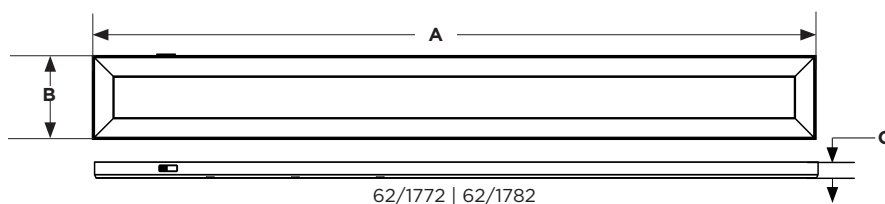
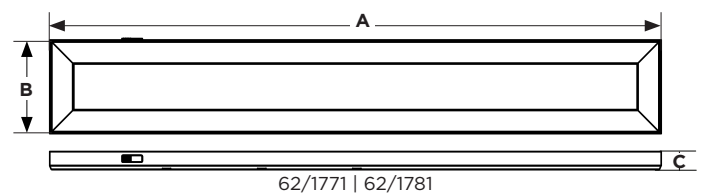
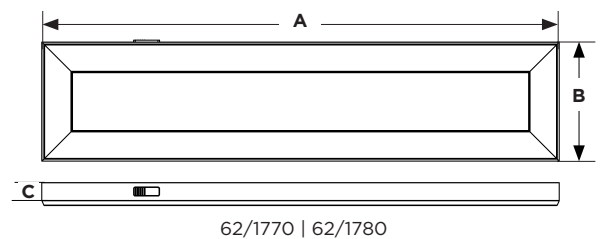


62/1776 | 62/1777 | 62/1778
62/1786 | 62/1787 | 62/1788 | 62/1796



DIMENSIONS

Item	(A) Diameter/Length	(B) Width	(C) Height
62-1770	23.98"	5.61"	1.06"
62-1780	23.98"	5.61"	1.06"
62-1771	35.98"	5.61"	1.06"
62-1781	35.98"	5.61"	1.06"
62-1772	47.72"	5.61"	1.06"
62-1782	47.72"	5.61"	1.06"
62-1775	47.72"	11.83"	1.06"
62-1785	47.72"	11.83"	1.06"



BLINK® PERFORMER ROUND | SQUARE | CCT SELECTABLE

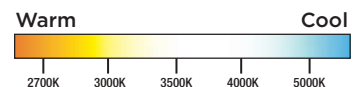


Features:

- Designer Die-Cast Construction
- Quick Install Mounting Bracket
- Built-In Surge Protection
- 5 CCT Selectable
- 2700/3000/3500/4000/5000K
- Zero Entry - Fits into any 3"-4" Jbox
- 50,000 Life Hours

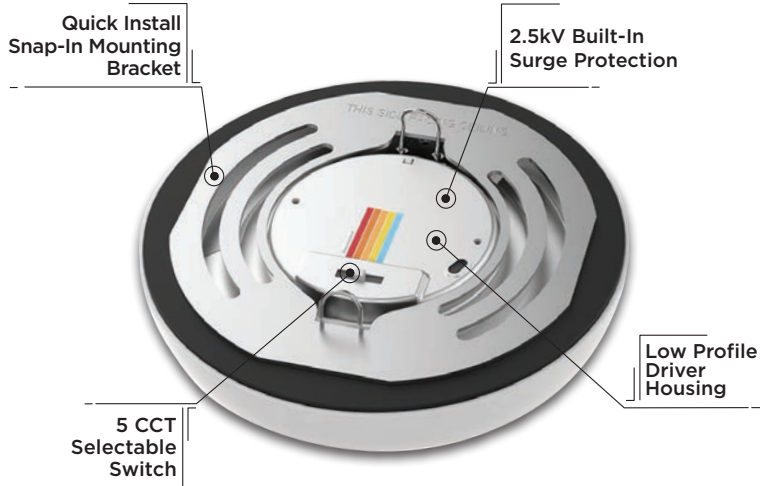


ColorQuick®
Selectable Color Technology



BLINK® PERFORMER

ROUND | SQUARE | CCT SELECTABLE



- WARM WHITE - 2700K
- SOFT WHITE - 3000K
- NEUTRAL WHITE - 3500K
- COOL WHITE - 4000K
- NATURAL LIGHT - 5000K

Blink® Performer Finishes:
White | Black | Bronze | Brushed Nickel



5", 7" and 9" in Round and Square Models

Item	Size	Shape	Finish	Watts	Lumens	Effacy (Up to LPW)	Input Current @ 120/277V
Round							
62-1900	5"	Round	White	8W	700-730	91.25	0.071A
62-1901	5"	Round	Black	8W	650-680	85.00	0.071A
62-1902	5"	Round	Bronze	8W	650-680	85.00	0.071A
62-1903	5"	Round	Br. Nickel	8W	650-680	85.00	0.071A
62-1910	7"	Round	White	10W	900-980	98.00	0.081A
62-1911	7"	Round	Black	10W	850-930	93.00	0.081A
62-1912	7"	Round	Bronze	10W	850-930	93.00	0.081A
62-1913	7"	Round	Br. Nickel	10W	850-930	93.00	0.081A
62-1920	9"	Round	White	11W	1050-1150	104.55	0.092A
62-1921	9"	Round	Black	11W	1000-1050	95.45	0.092A
62-1922	9"	Round	Bronze	11W	850-930	95.45	0.092A
62-1923	9"	Round	Br. Nickel	11W	850-930	95.45	0.092A
Square							
62-1904	5"	Square	White	8W	680-730	91.25	0.067A
62-1905	5"	Square	Black	8W	600-650	81.25	0.067A
62-1906	5"	Square	Bronze	8W	600-650	81.25	0.067A
62-1907	5"	Square	Br. Nickel	8W	600-650	81.25	0.067A
62-1914	7"	Square	White	10W	900-980	98.00	0.083A
62-1915	7"	Square	Black	10W	850-900	90.00	0.083A
62-1916	7"	Square	Bronze	10W	850-900	90.00	0.083A
62-1917	7"	Square	Br. Nickel	10W	850-900	90.00	0.083A
62-1924	9"	Square	White	11W	1050-1100	100.00	0.092A
62-1925	9"	Square	Black	11W	1050-1100	95.45	0.092A
62-1926	9"	Square	Bronze	11W	1050-1100	95.45	0.092A
62-1927	9"	Square	Br. Nickel	11W	1050-1100	95.45	0.092A

Specifications



Certifications

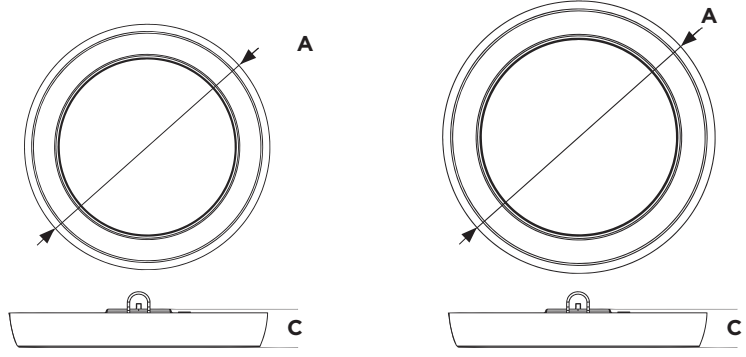


BLINK® PERFORMER

ROUND | SQUARE | CCT SELECTABLE

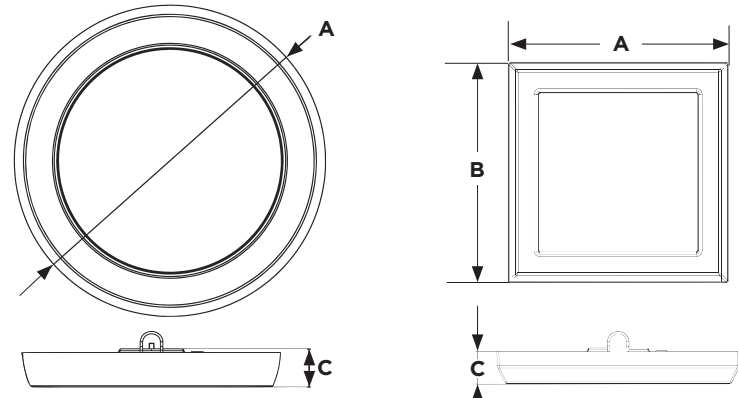
DIMENSIONS

Item	(A) Diameter	(B) Width	(C) Height
Round			
62-1900	5"	—	.74
62-1901	5"	—	.74
62-1902	5"	—	.74
62-1903	5"	—	.74
62-1910	7"	—	.74
62-1911	7"	—	.74
62-1912	7"	—	.74
62-1913	7"	—	.74
62-1920	9"	—	.74
62-1921	9"	—	.74
62-1922	9"	—	.74
62-1923	9"	—	.74
Square			
62-1904	5"	5"	.74
62-1905	5"	5"	.74
62-1906	5"	5"	.74
62-1907	5"	5"	.74
62-1914	7"	7"	.74
62-1915	7"	7"	.74
62-1916	7"	7"	.74
62-1917	7"	7"	.74
62-1924	9"	9"	.74
62-1925	9"	9"	.74
62-1926	9"	9"	.74
62-1927	9"	9"	.74



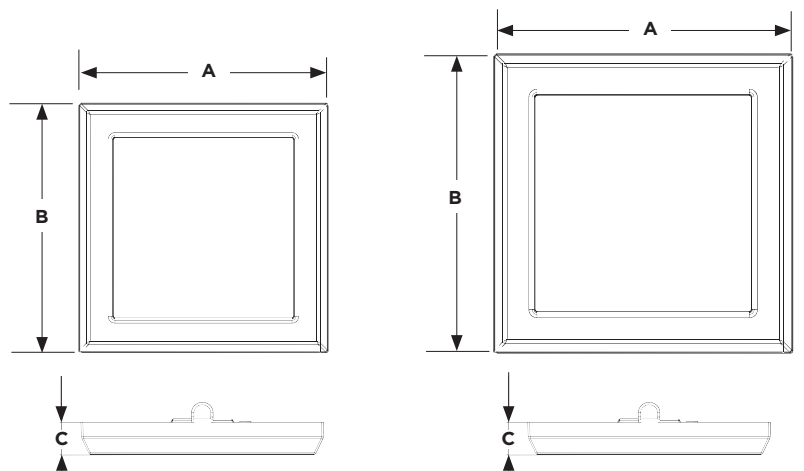
62-1900 | 62-1901 | 62-1902 | 62-1903

62-1910 | 62-1911 | 62-1912 | 62-1913



62-1920 | 62-1921 | 62-1922 | 62-1923

62-1904 | 62-1905 | 62-1906 | 62-1907



62-1914 | 62-1915 | 62-1916 | 62-1917

62-1924 | 62-1925 | 62-1926 | 62-1927

BLINK PRO® EMERGENCY BATTERY BACKUP UNIT

EMERGENCY BATTERY BACKUP
120V, TRIAC DIMMING

Item	Size	Shape	Finish	Replacement Battery
62-1710/EM	7"	Round	White	25/9004
62-1711/EM	7"	Round	Black	25/9004
62-1712/EM	7"	Round	Bronze	25/9004
62-1713/EM	7"	Round	Br. Nickel	25/9004
62-1720/EM	9"	Round	White	25/9005
62-1721/EM	9"	Round	Black	25/9005
62-1722/EM	9"	Round	Bronze	25/9005
62-1723/EM	9"	Round	Br. Nickel	25/9005
62-1714/EM	7"	Square	White	25/9004
62-1715/EM	7"	Square	Black	25/9004
62-1716/EM	7"	Square	Bronze	25/9004
62-1717/EM	7"	Square	Br. Nickel	25/9004
62-1724/EM	9"	Square	White	25/9005
62-1725/EM	9"	Square	Black	25/9005
62-1726/EM	9"	Square	Bronze	25/9005
62-1727/EM	9"	Square	Br. Nickel	25/9005

* Compatible for use with 120V BLINK® Pro Models.

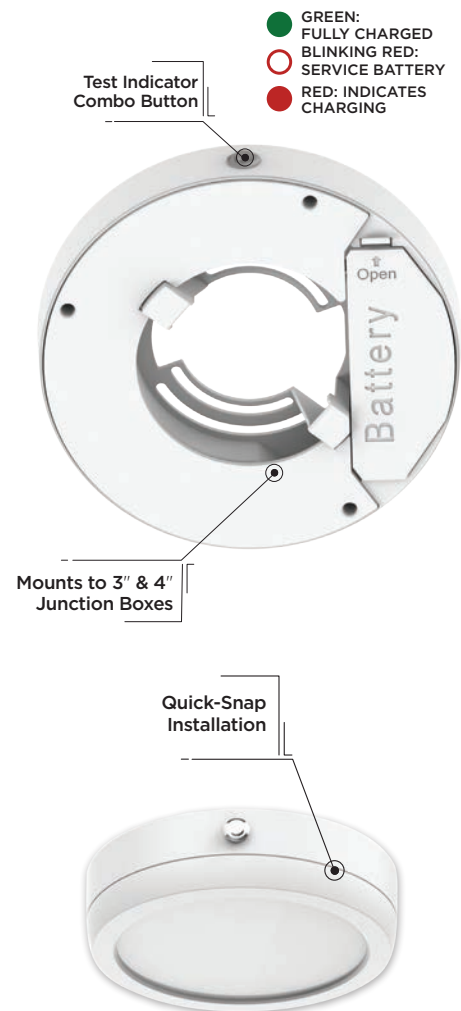
120V/277V, 0-10V DIMMING

Item	Size	Shape	Finish	Replacement Battery
62-1746/EM	7"	Round	White	25/9004
62-1747/EM	7"	Square	White	25/9004
62-1756/EM	9"	Round	White	25/9005
62-1757/EM	9"	Square	White	25/9005

* Compatible for use with 120V/277V BLINK® Pro Models.

DRIVER SPECIFICATIONS

- Alert Function
- Test Indicator Combo Button
- 90 Min. Battery Runtime
- Die-Cast Construction



* BLINK® PRO FIXTURE SOLD SEPARATELY.
* SHOWN WITH 62/1710

4" LED SURFACE MOUNT FIXTURES CCT SELECTABLE

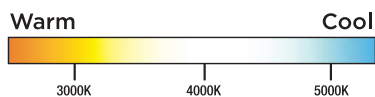


Features:

- 3000K/4000K/ 5000K Selectable*
- Dimmable†
- Mounts to 4" Junction Boxes
- Wet Location
- Available in White, Brushed Nickel, Bronze or Black Finish.
- 3000K & 5000K versions available in Contractor 6-Packs
- 5 Year Warranty



ColorQuick[®]
Selectable Color Technology



4" LED SURFACE MOUNT FIXTURES CCT SELECTABLE



White



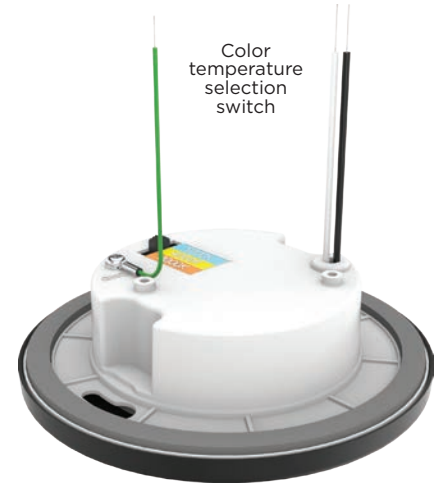
Black



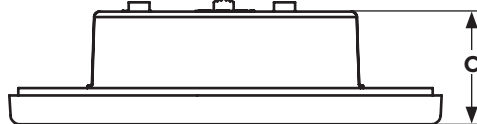
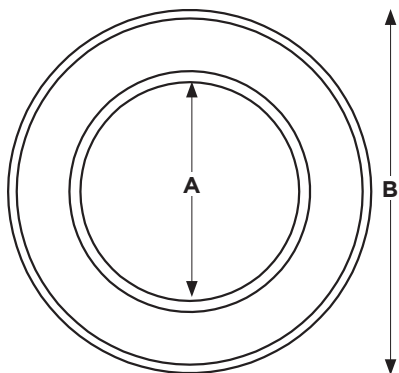
Brushed Nickel



Bronze



Color temperature selection switch



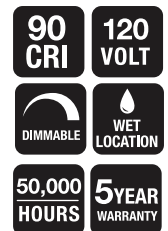
3000K & 5000K Options available in contractor 6-Packs, White finish

Item	Description	CCT	Lumens	(A) Diameter	(B) Height	(C) Length
62-1580	4" LED - WHITE - 6 Pack	3000K	650	2.81"	4.67"	1.31"
62-1590	4" LED - WHITE - 6 Pack	5000K	680	2.81"	4.67"	1.31"
*62-1581	4" LED - WHITE	3000K/4000K/5000K	680-720	2.81"	4.67"	1.31"
*62-1582	4" LED - BRUSHED NICKEL	3000K/4000K/5000K	680-720	2.81"	4.67"	1.31"
*62-1583	4" LED - BRONZE	3000K/4000K/5000K	680-720	2.81"	4.67"	1.31"
*62-1584	4" LED - BLACK	3000K/4000K/5000K	680-720	2.81"	4.67"	1.31"

+See satco.com for dimmer compatibility *Not available in contractor packs.

NU1699

Specifications



Certifications



LED DISK LIGHTS - CCT SELECTABLE

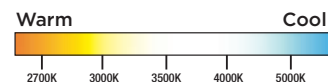


Features:

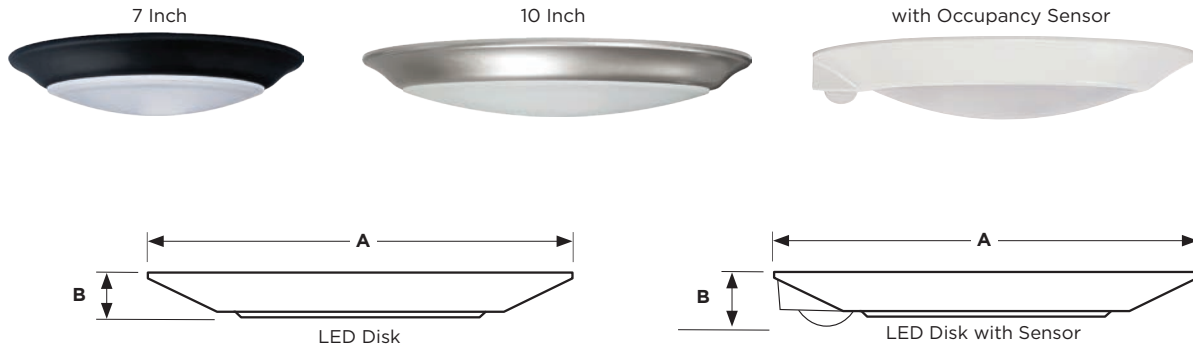
- 27000K/3000K/3500K/4000K/5000K Selectable
- 7" & 10" White versions available in Contractor 6-packs
- Mounts to 3" and 4" Junction Boxes
- Dimmable†
- Occupancy Sensor (in white finish only)
- Available in White, Black, Bronze or Brushed Nickel
- Wet Location
- Closet Compliant with NEC 410.16 (A) (3) and NEC 410.16 (C) (5)*



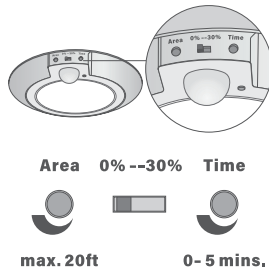
ColorQuick[®]
Selectable Color Technology



LED DISK LIGHTS - CCT SELECTABLE



Occupancy Sensor Operation



There are 3 sensor settings on the side. Use a flat screwdriver to adjust.



- ① **Area Sensor** activation area can be set for a diameter of 0ft to a maximum of 20 ft



- ② **0% - 30%** The fixture can be set at default brightness of 0 (not lit in OFF condition) or 30% (maintain 30% of full output in OFF condition)



- ③ **Time** Time options from 0 to 5 minutes for ON time after activation

Item	Description	Watts	CCT Selectable	Lumens	(A) Diameter	(B) Height
62-1800	7" LED White/Contractor 6 Pk	15W	2700K/3000K/3500K/4000K/5000K	930-1000	7.42"	1.42"
62-1801	7" LED White	15W	2700K/3000K/3500K/4000K/5000K	930-1000	7.42"	1.42"
62-1802	7" LED Brushed Nickel	15W	2700K/3000K/3500K/4000K/5000K	860-980	7.42"	1.42"
62-1803	7" LED Bronze	15W	2700K/3000K/3500K/4000K/5000K	780-910	7.42"	1.42"
62-1804	7" LED Black	15W	2700K/3000K/3500K/4000K/5000K	770-900	7.42"	1.42"
62-1810	10" LED White/Contractor 6 Pk	17W	2700K/3000K/3500K/4000K/5000K	1100-1200	9.49"	1.44"
62-1811	10" LED White	17W	2700K/3000K/3500K/4000K/5000K	1100-1200	9.49"	1.44"
62-1812	10" LED Brushed Nickel	17W	2700K/3000K/3500K/4000K/5000K	1000-1150	9.49"	1.44"
62-1813	10" LED Bronze	17W	2700K/3000K/3500K/4000K/5000K	970-1080	9.49"	1.44"
62-1814	10" LED Black	17W	2700K/3000K/3500K/4000K/5000K	950-1050	9.49"	1.44"
**62-1820	7" LED White W/OCC	16W	2700K/3000K/3500K/4000K/5000K	900-1000	7.06"	1.42"
**62-1821	10" LED White W/OCC	19W	2700K/3000K/3500K/4000K/5000K	1060-1150	9.80"	1.65"
Closet Compliant						
62-1805	7" LED White	8W	2700K/3000K/3500K/4000K/5000K	490-640	7.42"	1.42"
62-1815	10" LED White	9.5W	2700K/3000K/3500K/4000K/5000K	560-700	9.49"	1.44"

Specifications



Certifications



**Not Dimmable

LED CLOUD FIXTURE WITH AND WITHOUT SENSOR | CCT SELECTABLE

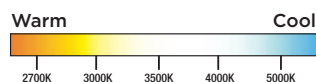


Features:

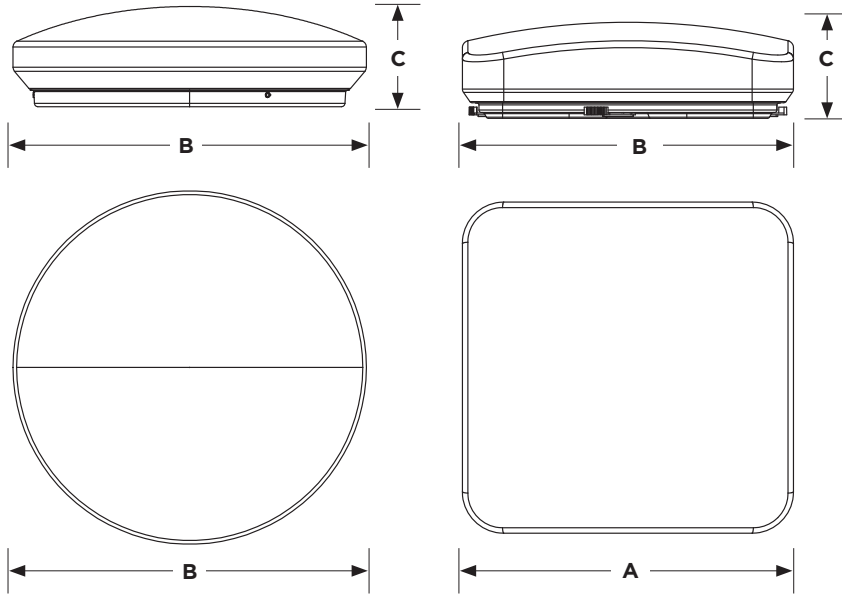
- CCT Selectable - 2700K/3000K/3500K/4000K/5000K
- Versions with and without Occupancy Sensors
- Complies with NEC 410.16 (A)(3) & NEC 410.16 (C)(5)
- Durable white cover (PMMA)
- 5 Year warranty



ColorQuick[®]
Selectable Color Technology



LED CLOUD FIXTURE WITH AND WITHOUT SENSOR | CCT SELECTABLE



Specifications



Certifications



Item	Size	Max Lumens	Wattage	CCT Selectable	Input Voltage	Dimming Type	Sensor Type	Sensor Min Room Size
Round								
62-1850	11"	1180	12.5W	2700K/3000K/3500K/4000K/5000K	120V	Phase-Cut	N/A	N/A
62-1851	11"	1180	11.5W	2700K/3000K/3500K/4000K/5000K	120V	Non-Dimmable	Microwave	50 ft ²
62-1852	14"	1440	15W	2700K/3000K/3500K/4000K/5000K	120V	Phase-Cut	N/A	N/A
62-1853	14"	1440	17W	2700K/3000K/3500K/4000K/5000K	120V	Non-Dimmable	Microwave	50 ft ²
62-1858	19"	2732	25W	2700K/3000K/3500K/4000K/5000K	120V	Phase-Cut	N/A	N/A
62-1859	19"	2732	25W	2700K/3000K/3500K/4000K/5000K	120V	Non-Dimmable	Microwave	50 ft ²
62-1860†	11"	1250	14W	2700K/3000K/3500K/4000K/5000K	120V-277V	0-10V	N/A	N/A
62-1861†	14"	1600	17W	2700K/3000K/3500K/4000K/5000K	120V-277V	0-10V	N/A	N/A
Square								
62-1854	11"	1180	11W	2700K/3000K/3500K/4000K/5000K	120V	Phase-Cut	N/A	N/A
62-1856	14"	1440	17W	2700K/3000K/3500K/4000K/5000K	120V	Phase-Cut	N/A	N/A

Item	(A) Length	(B) Width/Dia	Height (C)
62-1850		11.00"	3.15"
62-1851		11.00"	3.15"
62-1852		13.98"	3.15"
62-1853		13.98"	3.15"
62-1858		18.90"	4.13"
62-1859		18.90"	4.13"
62-1860		11.02"	3.15"
62-1861		13.98"	3.15"
62-1854	11.02"	11.02"	3.15"
62-1856	13.39"	13.39"	3.19"

Consult Satco or visit www.satco.com for an up-to-date dimmer compatibility list.

†62-1860 and 62-1861 is not rated for use in closets
See warranty for details.

Product sheet SN1720

GLAMOUR SURFACE MOUNT CCT SELECTABLE

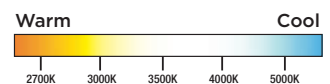


Features:

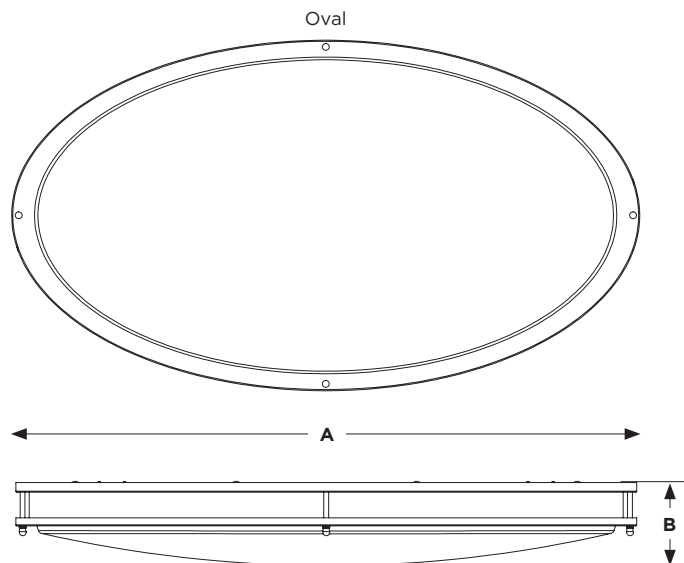
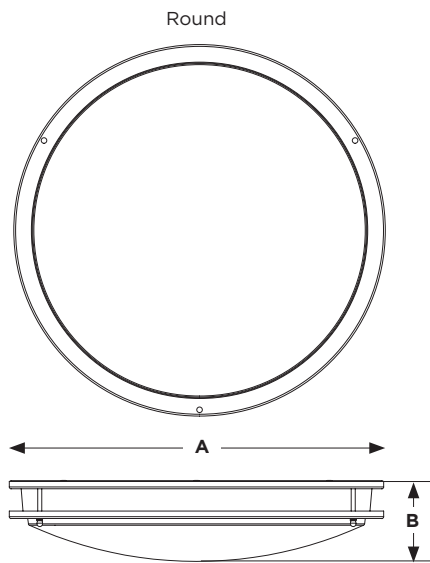
- CCT Selectable - 2700K/3000K/3500K/4000K/5000K
- Durable White Cover (PMMA)
- Available in Brushed Nickel or Black
- 5 Year Warranty



ColorQuick[®]
Selectable Color Technology

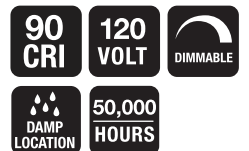


GLAMOUR SURFACE MOUNT CCT SELECTABLE



Item	Description	CCT Selectable	Watts	Lumens	(A) Diameter	(B) Height
62-1875	10" Round - Brushed Nickel	2700K/3000K/3500K/4000K/5000K	18W	968-1104	9.84"	2.13"
62-1876	13" Round - Brushed Nickel	2700K/3000K/3500K/4000K/5000K	25W	1473-1634	12.99"	2.13"
62-1877	17" Round - Brushed Nickel	2700K/3000K/3500K/4000K/5000K	25W	1541-1701	16.93"	2.13"
62-1878	24" Round - Brushed Nickel	2700K/3000K/3500K/4000K/5000K	39W	2113-2508	23.62"	2.20"
62-1881	32" Oval - Brushed Nickel	2700K/3000K/3500K/4000K/5000K	50W	3192-3739	32.20"	4.34"
62-1975	10" Round - Black	2700K/3000K/3500K/4000K/5000K	18W	968-1104	9.84"	2.13"
62-1976	13" Round - Black	2700K/3000K/3500K/4000K/5000K	25W	1473-1634	12.99"	2.13"
62-1977	17" Round - Black	2700K/3000K/3500K/4000K/5000K	25W	1541-1701	16.93"	2.13"
62-1978	24" Round - Black	2700K/3000K/3500K/4000K/5000K	39W	2113-2508	23.62"	2.20"
62-1981	32" Oval - Black	2700K/3000K/3500K/4000K/5000K	50W	3192-3739	32.20"	4.34"

Specifications



Certifications



*Consult Satco or visit www.satco.com for an up-to-date dimmer compatibility list. See warranty for details.

Product sheet NU1558

GLAMOUR LINEAR CCT SELECTABLE

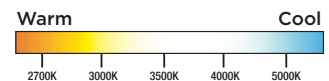


Features:

- CCT Selectable - 2700K/3000K/3500K/4000K/5000K
- Durable white cover (PMMA)
- Available in Brushed Nickel or Black
- 5 Year Warranty



ColorQuick[®]
Selectable Color Technology



GLAMOUR LINEAR CCT SELECTABLE



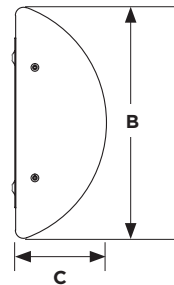
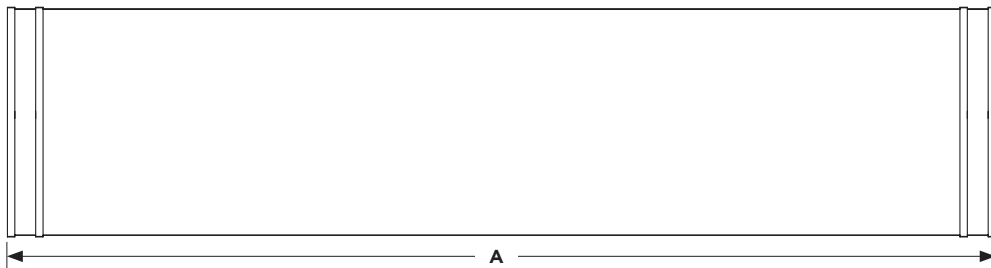
25" Black



25" Brushed Nickel



50" Brushed Nickel



Specifications

90 CRI
120 VOLT
DIMMABLE
DAMP LOCATION
50,000 HOURS

Certifications

ETL US
TITLE 24
FC
RoHS COMPLIANT

Item	Description	CCT Selectable	Watts	Lumens	(A) Length	(B) Width	(C) Height
62-1879	25" Linear - Brushed Nickel	2700K/3000K/3500K/4000K/5000K	25	1481-1739	24.02"	11.26"	4.41"
62-1880	50" Linear - Brushed Nickel	2700K/3000K/3500K/4000K/5000K	50	3192-3739	49.08"	11.26"	4.37"
62-1979	25" Linear - Black	2700K/3000K/3500K/4000K/5000K	25	1481-1739	24.02"	11.26"	4.41"
62-1980	50" Linear - Black	2700K/3000K/3500K/4000K/5000K	50	3192-3739	49.08"	11.26"	4.37"

*Consult Satco or visit www.satco.com for an up-to-date dimmer compatibility list. See warranty for details.

Product sheet NU1372

GLAMOUR & CRISPO WALL CCT SELECTABLE

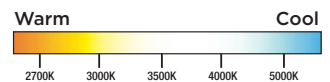


Features:

- CCT Selectable - 2700K/3000K/3500K/4000K/5000K
- Durable White Cover (PMMA)
- Glamour available in Brushed Nickel, or Black
- Crispo available in White
- 5 Year Warranty



ColorQuick[®]
Selectable Color Technology



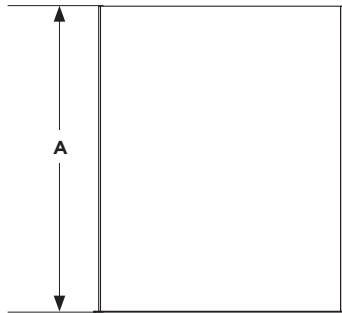
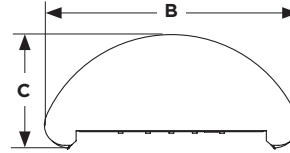
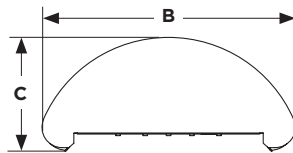
GLAMOUR & CRISPO WALL CCT SELECTABLE



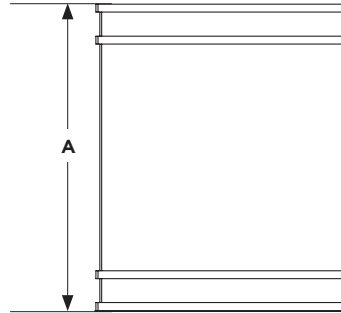
Crispo in White



Glamour in
Brushed Nickel



Crispo



Glamour

Specifications



Certifications



Item	Description	CCT Selectable	Lumens	(A) Length	(B) Width	(C) Height
62-1885	Glamour Wall Sconce - Brushed Nickel	2700K/3000K/3500K/4000K/5000K	625-735	10.63"	8.62"	3.98"
62-1886	Crispo Wall Sconce - White	2700K/3000K/3500K/4000K/5000K	625-735	10.63"	8.37"	3.84"
62-1985	Glamour Wall Sconce - Black	2700K/3000K/3500K/4000K/5000K	625-735	10.63"	8.62"	3.98"

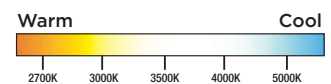
*Consult Satco or visit www.satco.com for an up-to-date dimmer compatibility list. See warranty for details.

GLAMOUR & CRISPO VANITY CCT SELECTABLE



Features:

- CCT Selectable - 2700K/3000K/3500K/4000K/5000K
- Durable White Cover (PMMA)
- ADA Compliant
- Glamour available in Brushed Nickel, or Black
- Crispo available in White
- 5 Year Warranty



GLAMOUR & CRISPO VANITY CCT SELECTABLE



Glamour 49" Black



Glamour 25" Black



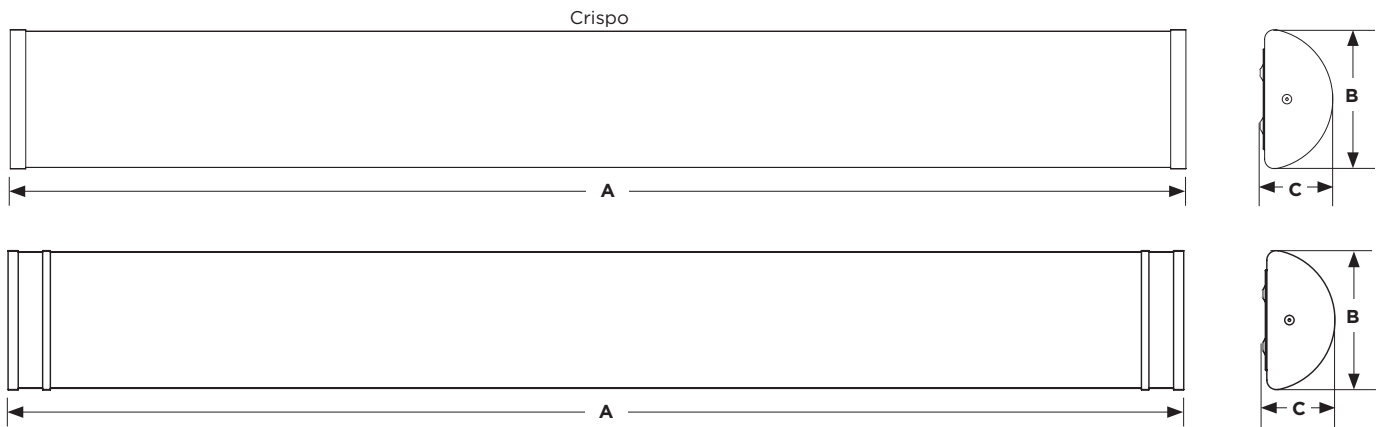
Glamour 49" Brushed Nickel



Crispo 25"



Crispo 49"



Glamour

Specifications

Certifications

Item	Description	Watts	CCT Selectable	Lumens	(A) Length	(B) Width	(C) Height
62-1871	25" Glamour Vanity - Brushed Nickel	25W	2700K/3000K/3500K/4000K/5000K	1533-1798	24.02"	5.71"	2.83"
62-1872	49" Glamour Vanity - Brushed Nickel	50W	2700K/3000K/3500K/4000K/5000K	3371-3968	48.98"	5.71"	2.83"
62-1971	25" Glamour Vanity - Black	25W	2700K/3000K/3500K/4000K/5000K	1533-1798	24.02"	5.71"	2.83"
62-1972	49" Glamour Vanity- Black	50W	2700K/3000K/3500K/4000K/5000K	3371-3968	48.98"	5.71"	2.83"
62-1873	25" Crispo Vanity - White	25W	2700K/3000K/3500K/4000K/5000K	1533-1798	24.02"	5.71"	2.83"
62-1874	49" Crispo Vanity- White	50W	2700K/3000K/3500K/4000K/5000K	3371-3968	48.98"	5.71"	2.83"

*Consult Satco or visit www.satco.com for an up-to-date dimmer compatibility list. See warranty for details.

FLUSH FIXTURE WITH NIGHTLIGHT | CCT SELECTABLE

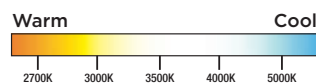


Features:

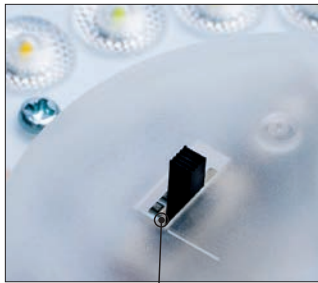
- Integrated Dimmable
- 2200K Night Light
- PMMA Impact Resistant Lens
- Activate Nightlight with On/Off Wall Switch



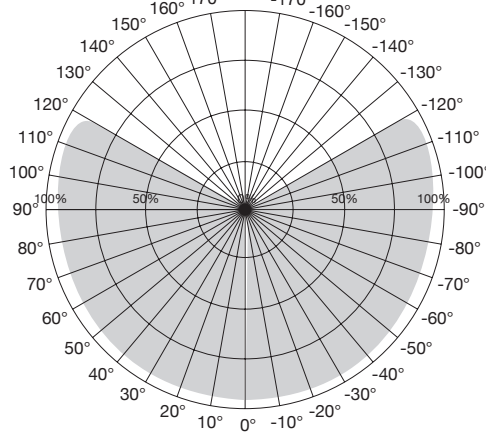
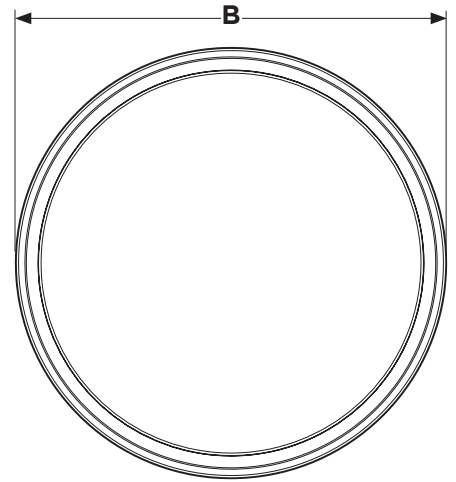
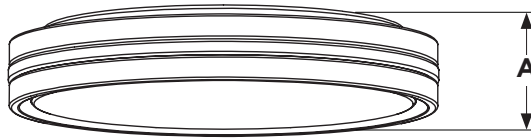
ColorQuick[®]
Selectable Color Technology



FLUSH FIXTURE WITH NIGHTLIGHT | CCT SELECTABLE



CCT
Selectable
Switch



Specifications

90 CRI
120 VOLT
DAMP LOCATION
DIMMABLE
50,000 HOURS
5 YEAR WARRANTY

Certifications

ETL US
FC
RoHS COMPLIANT

Item	Size	Finish	Watts	Nightlight Wattage	CCT Selectable	Lumens	(A) Height	(B) Width
62-1690	11"	Brushed Nickel	24W	10W	2700K/3000K/3500K/4000K/5000K	1500-1700	2.28"	11.42"
62-1691	11"	Matte Black	24W	10W	2700K/3000K/3500K/4000K/5000K	1500-1700	2.28"	11.42"
62-1692	15"	Brushed Nickel	26W	6W	2700K/3000K/3500K/4000K/5000K	1700-2000	2.60"	14.37"
62-1693	15"	Matte Black	26W	6W	2700K/3000K/3500K/4000K/5000K	1700-2000	2.60"	14.37"

Consult Satco or visit www.satco.com for an up-to-date dimmer compatibility list. See warranty for details.

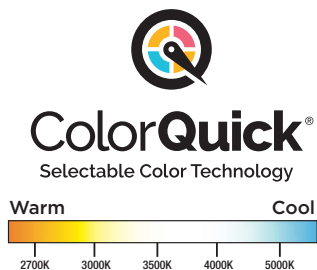
Product sheet SNI280

FLUSH FIXTURE SELENE LED | CCT SELECTABLE



Features:

- 5 CCT Selectable
- 13" & 17" Sizes
- Black or White Finishes
- Contemporary Design
- Impact Resistant Lens
- Halo Accent Effect



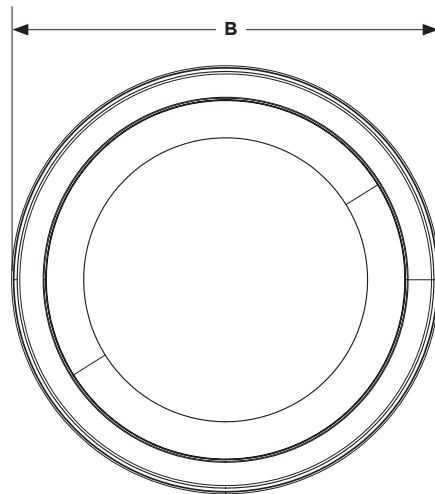
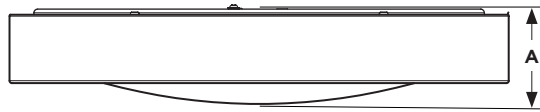
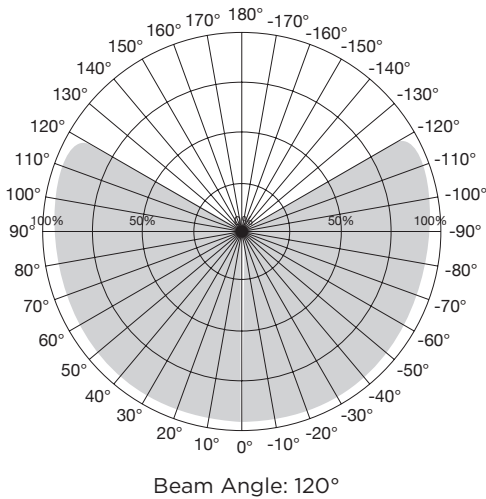
FLUSH FIXTURE SELENE LED | CCT SELECTABLE



HALO EFFECT



5 CCT
Selectable Switch



Item	Size	Finish	Max Lumens	Wattage	Replacement Wattage	(A) Height	(B) Diameter
62-1695	13"	White	1450	22W	100W	2.90"	13.23"
62-1696	13"	Black	1250	22W	100W	2.90"	13.23"
62-1697	17"	White	2250	27W	125W	3.16"	16.61"
62-1698	17"	Black	2050	27W	125W	3.16"	16.61"

See satco.com for dimmer compatibility

SN1628

Specifications



Certifications



BUTTON ROUND FLUSH - CCT SELECTABLE

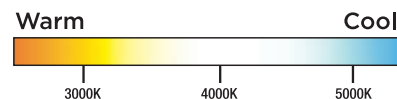


Features:

- CCT Selectable 3000K/4000K/5000K
- Available in Brushed Nickel or Black with Satin White glass
- 3 Year warranty



ColorQuick[®]
Selectable Color Technology



BUTTON ROUND FLUSH - CCT SELECTABLE



11" Black



11" Brushed Nickel



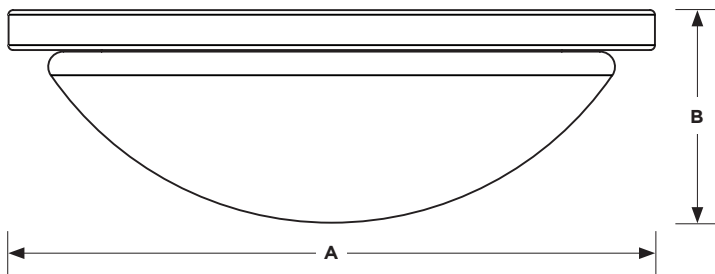
13" Black



13" Brushed Nickel



17" Black

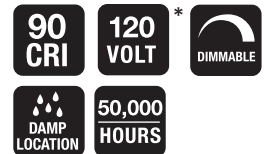


Item	Description	CCT Selectable	Watts	Lumens	(A) Width	(B) Height
62-1842	11" - Brushed Nickel	3000K/4000K/5000K	18W	1500 - 1600	11"	3.88"
62-1843	13" - Brushed Nickel	3000K/4000K/5000K	18W	1500 - 1600	13.38"	4"
62-1844	17" - Brushed Nickel	3000K/4000K/5000K	25W	2100 - 2200	17"	5"
62-1942	11" - Black	3000K/4000K/5000K	18W	1500 - 1600	11"	3.88"
62-1943	13" - Black	3000K/4000K/5000K	18W	1500 - 1600	13.38"	4"
62-1944	17" - Black	3000K/4000K/5000K	25W	2100 - 2200	17"	5"

*Consult Satco or visit www.satco.com for an up-to-date dimmer compatibility list. See warranty for details.

Product sheet NU1371

Specifications



Certifications



PI ROUND FLUSH - CCT SELECTABLE

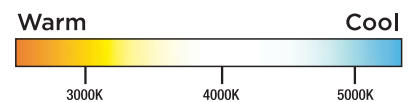


Features:

- CCT Selectable 3000K/4000K/5000K
- Available in Brushed Nickel or Black with Etched glass
- 3 Year warranty



ColorQuick[®]
Selectable Color Technology



PI ROUND FLUSH - CCT SELECTABLE



14" Black



11" Brushed Nickel



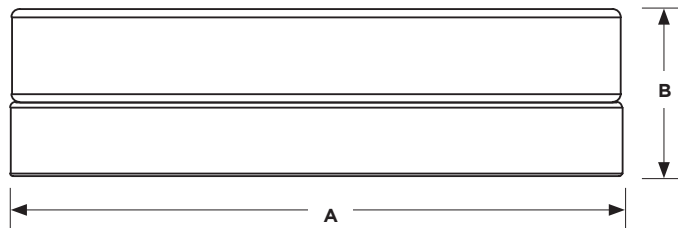
11" Black



9" Brushed Nickel



9" Black

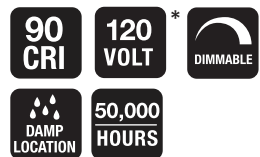


Item	Description	CCT Selectable	Watts	Lumens	(A) Width	(B) Height
62-558	9" - Brushed Nickel	3000K/4000K/5000K	18	1500 - 1600	9"	3.13"
62-559	11" - Brushed Nickel	3000K/4000K/5000K	25	2100 - 2200	11"	3.13"
62-560	14" - Brushed Nickel	3000K/4000K/5000K	25	2100 - 2200	14"	3.13"
62-568	9" - Black	3000K/4000K/5000K	18	1500 - 1600	9"	3.13"
62-569	11" - Black	3000K/4000K/5000K	25	2100 - 2200	11"	3.13"
62-570	14" - Black	3000K/4000K/5000K	25	2100 - 2200	14"	3.13"

*Consult Satco or visit www.satco.com for an up-to-date dimmer compatibility list. See warranty for details.

Product sheet NU1544

Specifications



Certifications



TWIST AND LOCK FLUSH



Features:

120V/277V

Dimmable (120V only)

Available in Brushed Nickel or Matte Black
with Frosted Twist and Lock glass

5 Year warranty



TWIST AND LOCK FLUSH



12" Brushed Nickel



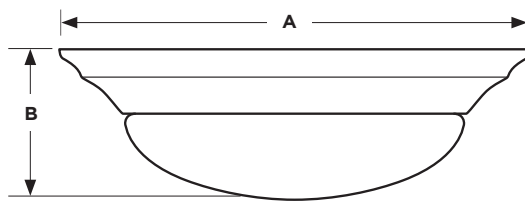
LED Module



12" Matte Black



14" Matte Black

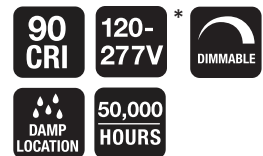


Item	Description	Watts	CCT	Lumens	(A) Width	(B) Height
62-686	12" - Brushed Nickel	18W	3000K	1500	12"	3.25"
62-687	12" - Matte Black	18W	3000K	1500	12"	3.25"
62-688	14" - Brushed Nickel	25W	3000K	2100	14"	3.25"
62-689	14" - Matte Black	25W	3000K	2100	14"	3.25"

*Consult Satco or visit www.satco.com for an up-to-date dimmer compatibility list. See warranty for details.

Product sheet NU1764

Specifications



Certifications



MELROSE PENDANTS



Features:

- Four finishes to choose from
- 12W
- 3000K
- 1020 Lumen Output
- Dimmable

MELROSE PENDANTS

FINISH

Matte Black



Matte White



Matte Black/
Brushed Brass



Matte Black/
Brushed Nickel



TP231
Track Adapter
(Sold Separately)



62-826



62-827



62-828



62-829

16.14" Ht
(409.96mm)

2.4" D
(60.96mm)

Item#	Description	Finish	Watts	CCT	Lumens
62-826	Melrose LED - 36° Beam Angle	Matte Black	12W	3000K	1020
62-827	Melrose LED - 36° Beam Angle	Matte White	12W	3000K	1020
62-828	Melrose LED - 36° Beam Angle	Matte Black/Brushed Brass	12W	3000K	1020
62-829	Melrose LED - 36° Beam Angle	Matte Black/Brushed Nickel	12W	3000K	1020

Optional Mounting-Pendant Track Adapters: TP231 (White), TP232 (Black) Wire Length - 8'

Product sheet SN1245

Specifications



Certifications



CENTURY PENDANTS



Features:

- Four finishes to choose from
- 12W
- 3000K
- 1020 Lumen Output
- Dimmable

CENTURY PENDANTS

FINISH

Matte Black



Matte White



Matte Black/
Brushed Brass



Matte Black/
Brushed Nickel



TP231
Track Adapter
(Sold Separately)



62-816



62-817



62-818



62-819

16.06" H
(407.92mm)

2.56" D
(65.02mm)

Item#	Description	Finish	Watts	CCT	Lumens
62-816	Century LED - 36° Beam Angle	Matte Black	12W	3000K	1020
62-817	Century LED - 36° Beam Angle	Matte White	12W	3000K	1020
62-818	Century LED - 36° Beam Angle	Matte Black/Brushed Brass	12W	3000K	1020
62-819	Century LED - 36° Beam Angle	Matte Black/Brushed Nickel	12W	3000K	1020

Optional Mounting-Pendant Track Adapters: TP231 (White), TP232 (Black) Wire Length - 8'

Product sheet SN1246

Specifications



Certifications

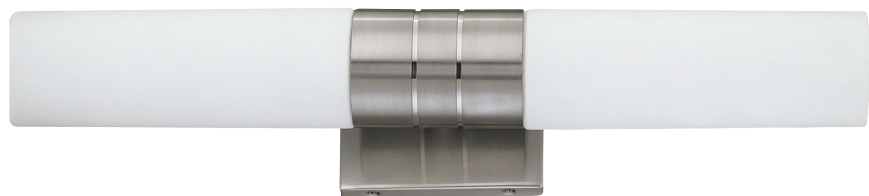


LINK



Features:

- ADA Compliant Wall Sconces
- Brushed Nickel Finish with Satin White Glass
- 3 Year Warranty



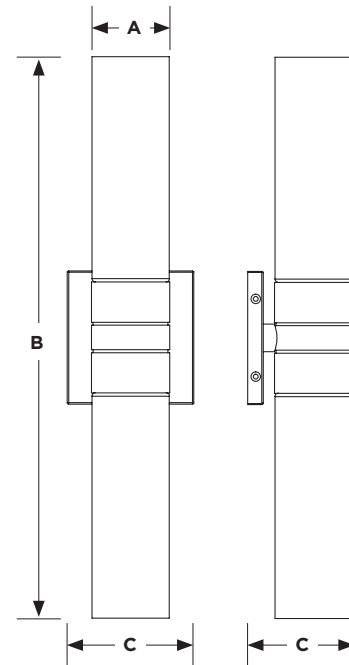
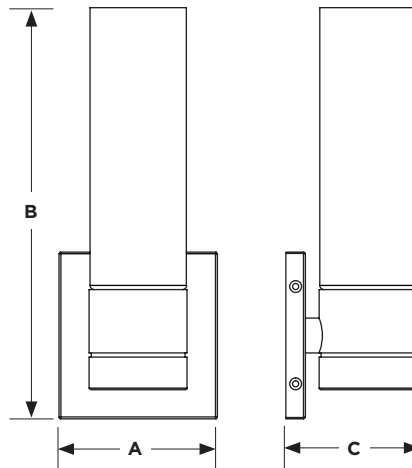
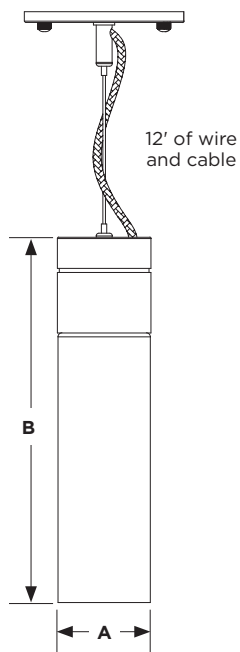
LINK



Single Tube Pendant
12' Wire Included

Single Tube Wall Sconce

Double Tube Wall Sconce
(vertical mount)



Item	Description	Watts	CCT	Lumens	(A) Width	(B) Height	(C) Ext.
62-2936	Double Tube Wall Sconce - Brushed Nickel	24W	3000K	1640	4.5"	21"	3.75"
62-2934	Single Tube Wall Sconce - Brushed Nickel	12W	3000K	820	4.5"	11.5"	3.75"
62-2932	Single Tube Pendant - Brushed Nickel	12W	3000K	820	2.75"	10.75"	-

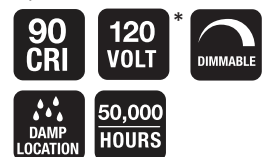
Accessories

25-4091	36" 3 Light Mounting Plate - Brushed Nickel
---------	---

*Consult Satco or visit www.satco.com for an up-to-date dimmer compatibility list. See warranty for details.

Product sheet NU1435

Specifications



Certifications



LED INDOOR/OUTDOOR



Features:

- Rugged Diecast Aluminum
- Dimmable*
- Available in Black or White Finish
- Wet Location Listed
- T24/JA8 Compliant
- 5 Year Warranty



LED INDOOR/OUTDOOR



LED Outdoor Oval Bulkhead



LED Outdoor Small Oval Bulkhead



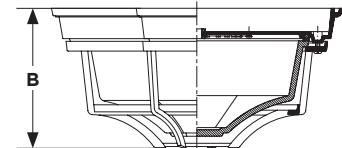
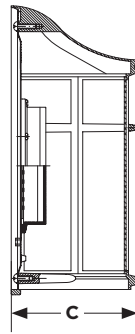
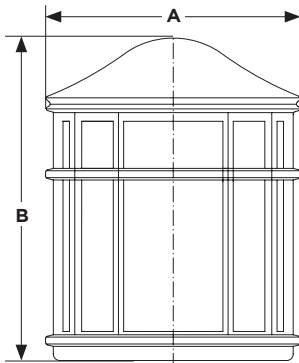
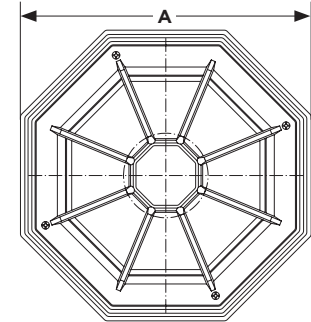
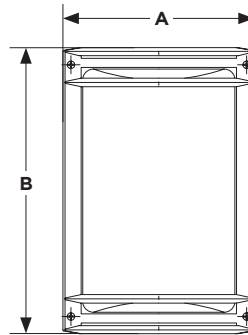
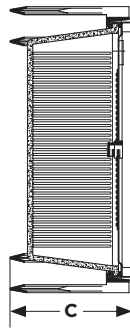
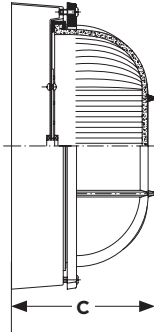
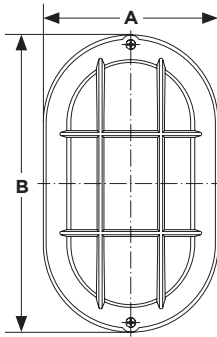
LED Outdoor Rectangular Bulkhead Fixture



LED Outdoor Cage Lantern



LED Flush Mount Spider Cage



Item	Description	Finish	Watts	CCT	Lumens	(A) Width	(B) Height	(C) Ext.
62-1388	LED Small Oval Bulk Head	White Finish/White Glass	14W	3000K	800	5"	8.51"	4.26"
62-1389	LED Small Oval Bulk Head	Black Finish/White Glass	14W	3000K	800	5"	8.51"	4.26"
62-1390	LED Oval Bulk Head	White Finish/White Glass	18.5W	3000K	1100	6.46"	11.03"	5.05"
62-1391	LED Oval Bulk Head	Black Finish/White Glass	18.5W	3000K	1100	6.46"	11.03"	5.05"
62-1393	LED Rectangular Bulk Head	White Finish/White Glass	18.5W	3000K	1100	7.05"	10.52"	4.49"
62-1394	LED Rectangular Bulk Head	Black Finish/White Glass	18.5W	3000K	1100	7.05"	10.52"	4.49"
62-1396	LED Cage Lantern	White Finish/White Linen Lens	13.5W	3000K	745	7.8"	9.85"	4.26"
62-1397	LED Cage Lantern	Black Finish/White Linen Lens	13.5W	3000K	745	7.8"	9.85"	4.26"
62-1399	LED Spider Cage	White Finish/Frosted Glass	18.5W	3000K	1100	10.56	5.06	—
62-1400	LED Spider Cage	White Finish/Frosted Glass	18.5W	3000K	1100	10.56	5.06	—

*Consult Satco or visit www.satco.com for an up-to-date dimmer compatibility list. See warranty for details.

Product sheet NU1730

Specifications



Certifications



SMART INDOOR CAMERA WHITE FINISH



Features:

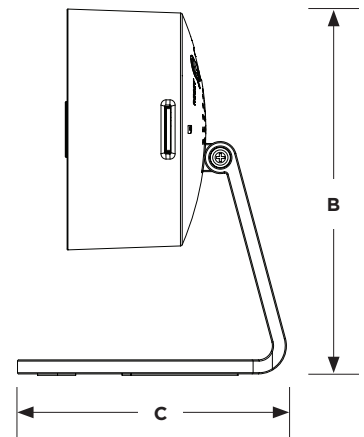
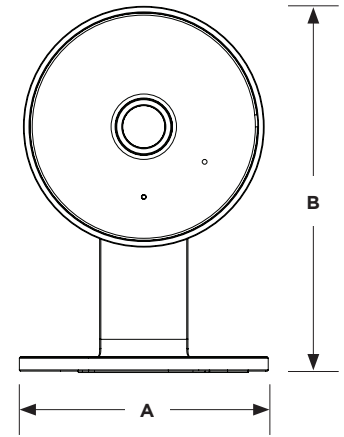
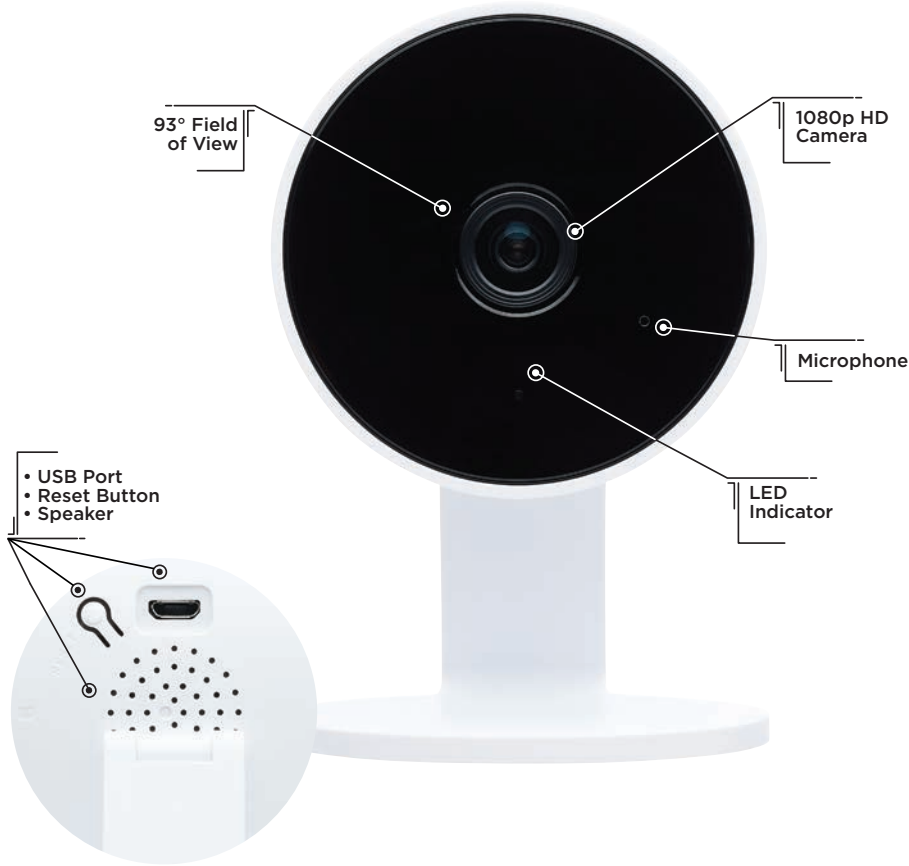
- Simple Plug & Play Installation
- Remote Viewing and Two-Way Talk
- Live and Event History Monitoring
- Expandable Micro SD Card Storage



**NO MONTHLY
SUBSCRIPTION**

 **STARFISH**
live life enlighthened

SMART INDOOR CAMERA WHITE FINISH



Item	Finish	(A) Width	(B) Height	(C) Ext.
65-940	White	3.58"	3.58"	2.64"

*Consult Satco or visit www.satco.com for an up-to-date dimmer compatibility list.

Product sheet SN1641

Certifications



STARFISH[®] ENABLED PRODUCT

Night Vision
 Remote Access
 Multi-User
 AWS Secure

WIFI
 No Hub Required

works with Google Home

works with alexa

Add to Siri

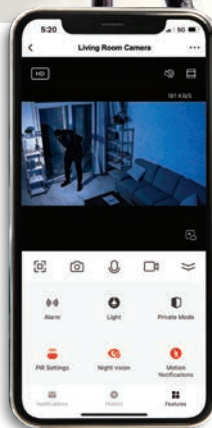
Works with SmartThings

SMART INDOOR PAN & TILT CAMERA WHITE FINISH



Features:

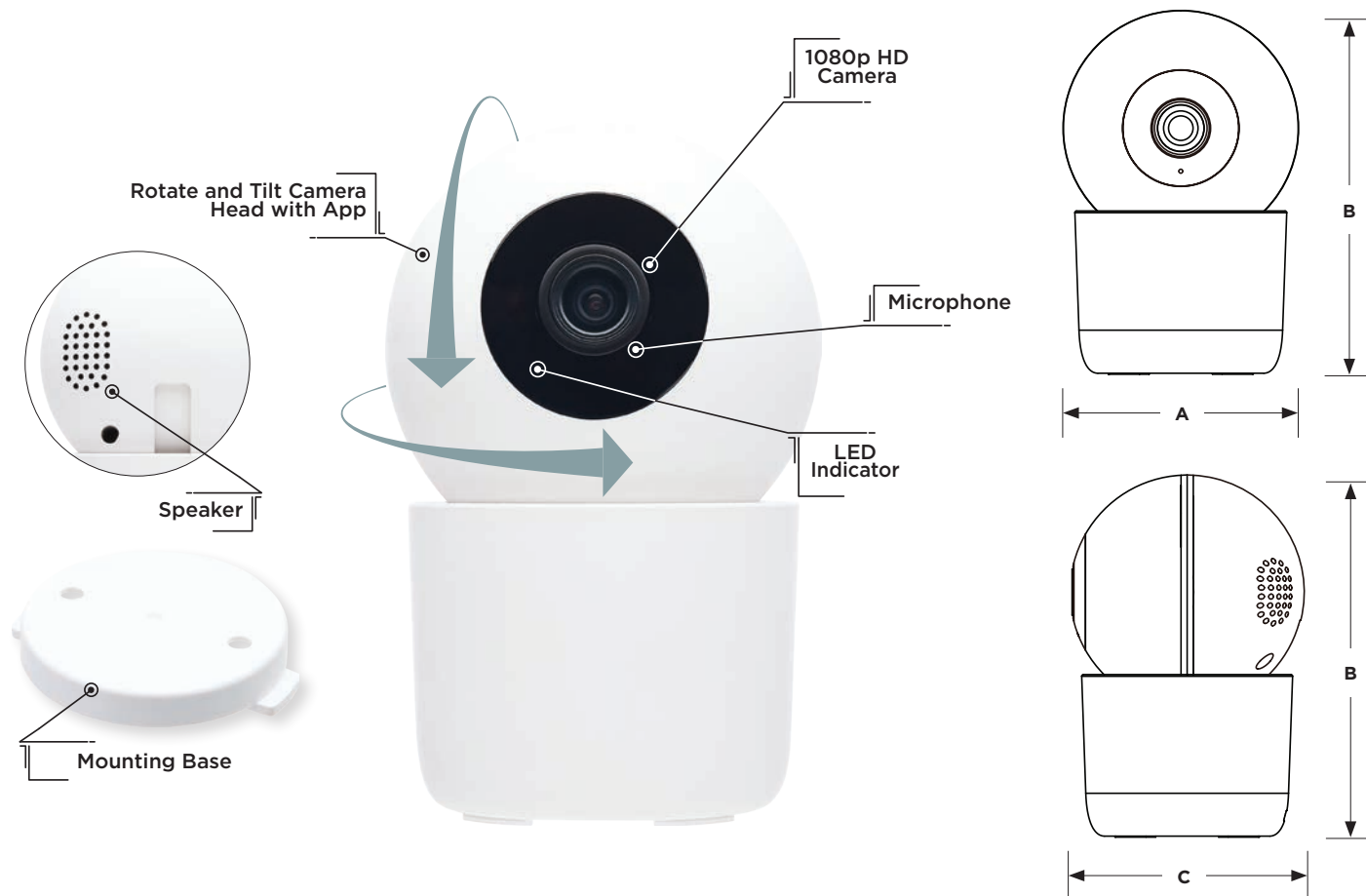
- Simple Plug & Play Installation
- Adjust Viewing Angle Via App
- Remote Viewing and Two-Way Talk
- Live and Event History Monitoring
- Expandable Micro SD Card Storage



**NO MONTHLY
SUBSCRIPTION**

 **STARFISH™**
live life enl'ghtened

SMART INDOOR PAN & TILT CAMERA WHITE FINISH



Item	Finish	(A) Width	(B) Height	(C) Ext.
65-945	White	2.8"	4.33"	2.76"



Consult Satco or visit www.satco.com for an up-to-date dimmer compatibility list.

Product sheet SN1642

STARFISH® ENABLED PRODUCT

Night Vision Remote Access Multi-User AWS Secure

WIFI No Hub Required

works with Google Home

works with alexa

Add to Siri

Works with SmartThings

SMART OUTDOOR PAN & TILT CAMERA WHITE FINISH



Features:

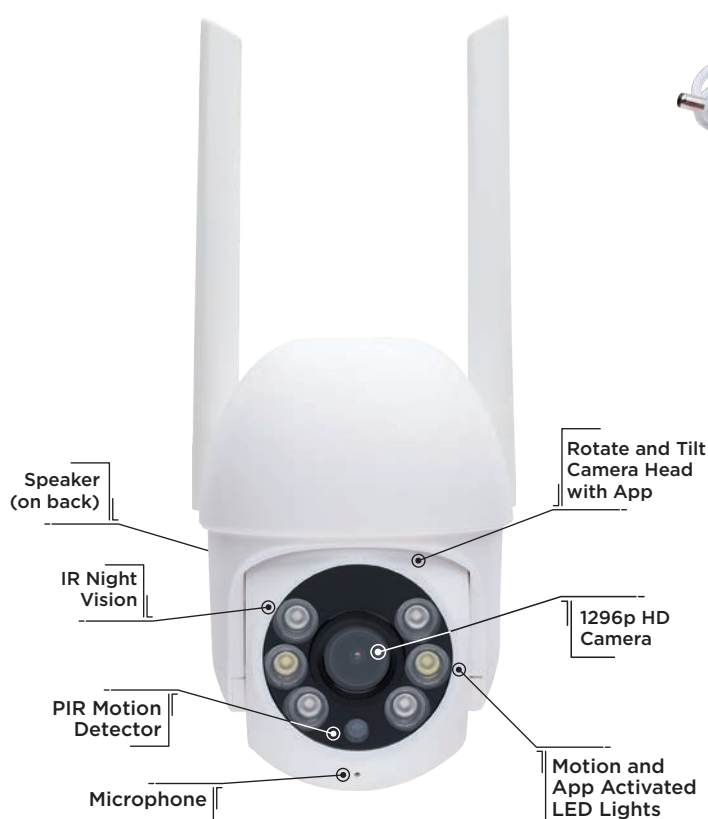
- Simple Plug & Play Installation
- 3MP Camera
- Adjust Camera Position and Viewing Angle via App
- Remote Viewing and Two-Way Talk
- Live and Event History Monitoring
- Expandable Micro SD Card Storage



**NO MONTHLY
SUBSCRIPTION**

 **STARFISH**
live life enlⁱghtened

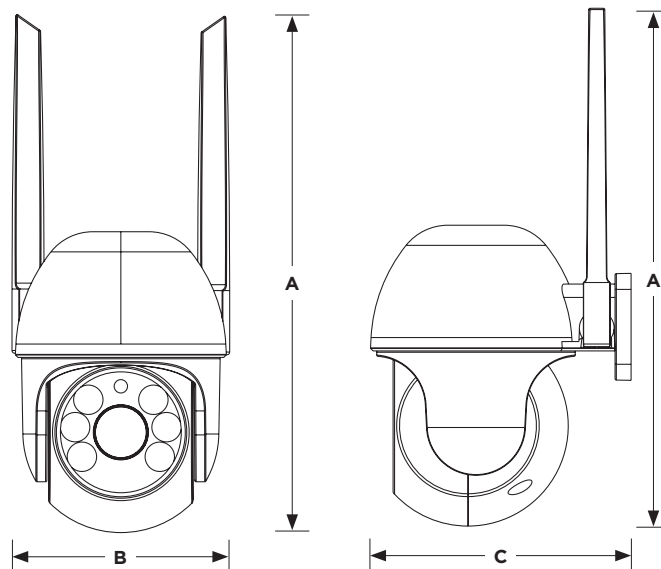
SMART OUTDOOR PAN & TILT CAMERA WHITE FINISH



Plug-In Cable



Mounting Bracket and Screws



Item	Finish	(A) Width	(B) Height	(C) Ext.
65-925	White	4.43"	3.09"	3.75"

Specifications



Certifications



SMART WIRELESS VIDEO DOORBELL WITH REMOTE CHIME



Features

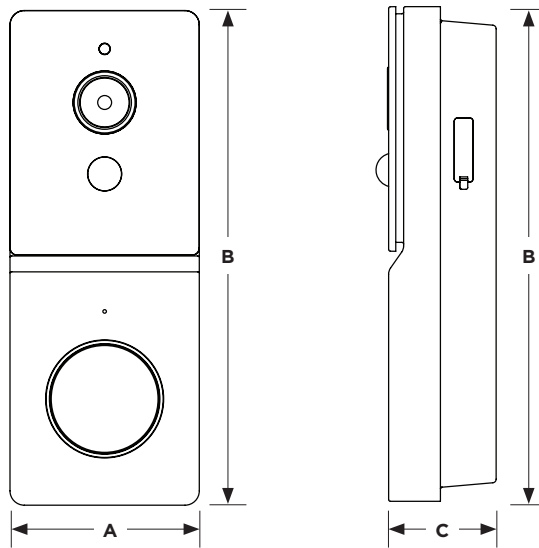
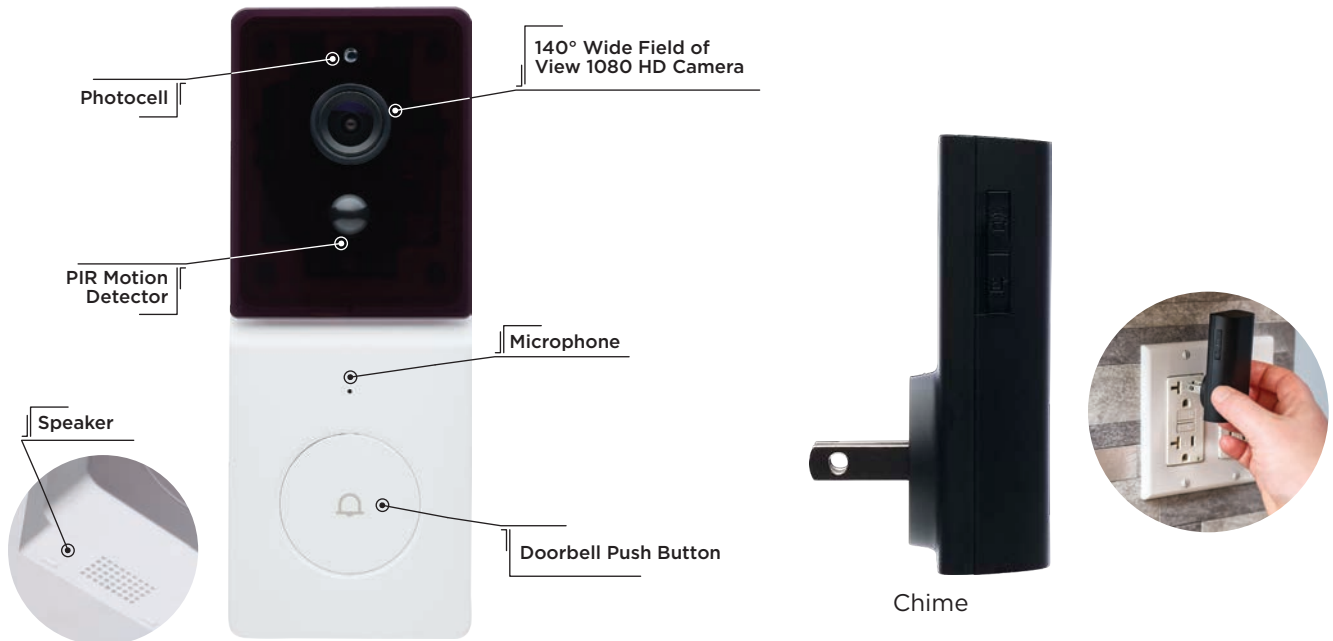
- Complete Doorbell System
- Simple Wireless Installation
- Rechargeable Battery
- Remote Viewing and Two-Way Talk
- Live and Event History Monitoring
- Expandable Micro SD Card Storage



NO MONTHLY SUBSCRIPTION



SMART WIRELESS VIDEO DOORBELL WITH REMOTE CHIME



Item	Finish	Chime Finish	(A) Width	(B) Height	(C) Ext.
65-935	White	Black	2.09"	5.45"	1.19"
65-936	Black	Black	2.09"	5.45"	1.19"

This device complies with Part 15 of the FCC Rules. Operation is subject to the following two conditions: (1) this device may not cause harmful interference, and (2) this device must accept any interference received, including interference that may cause undesired operation.

WARNING: Some products included in this specification sheet may be subject to the warning requirements of California's Proposition 65. Please refer to your product packaging for more information. Amazon, Alexa and all related logos are trademarks of Amazon.com, Inc. and its affiliates. Siri is a registered trademark of Apple Inc. Google, Google Play and Google Home are trademarks of Google LLC.

Product sheet SN1640

Specifications



Certifications



SMART PLUG DUAL OUTLET | OUTDOOR



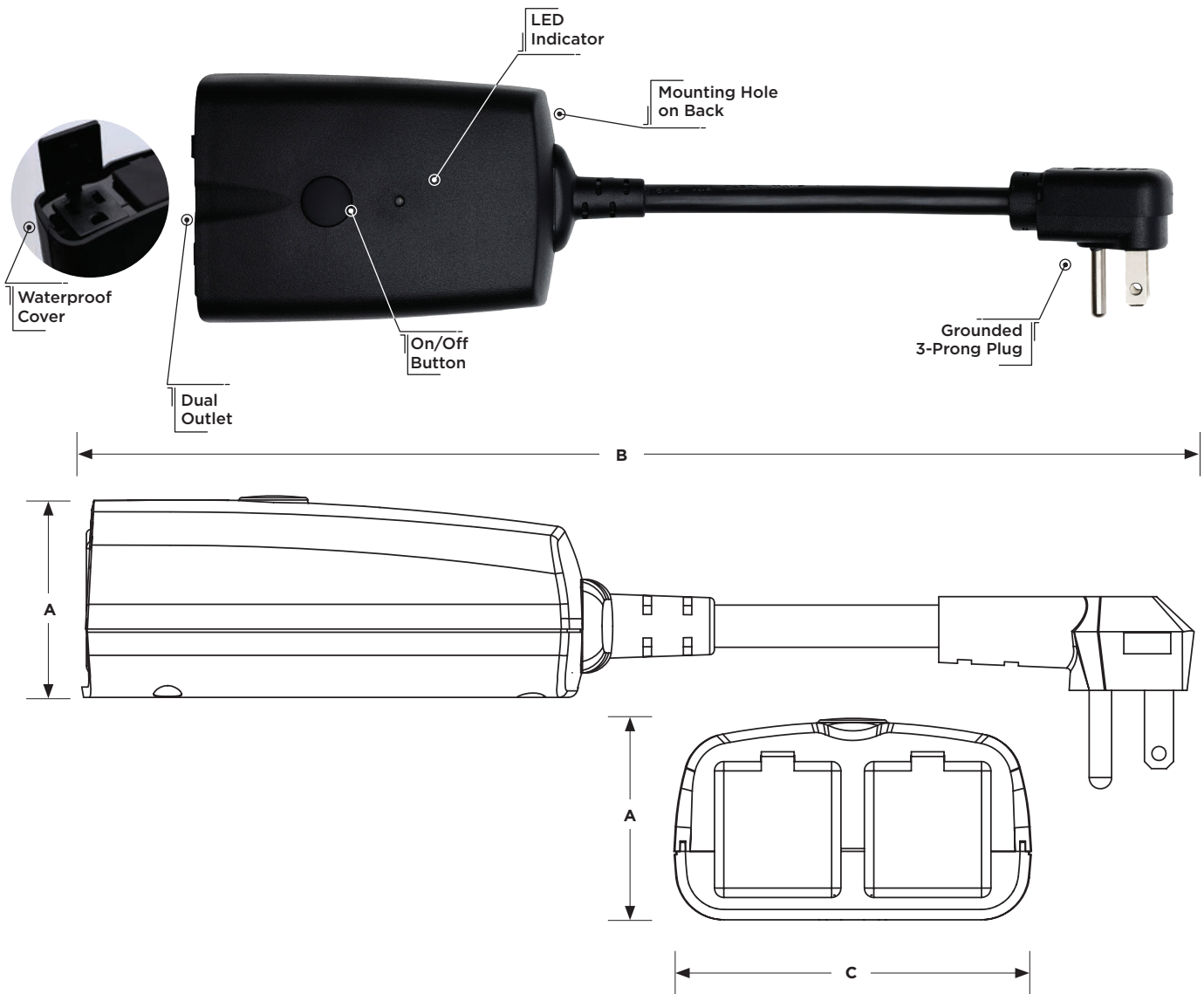
Features:

- Power Two Devices with One Dual Outlet
- Set-Up Schedules and Timers with the Starfish® App
- Voice Control with Compatible Assistants



 **STARFISH**
live life en'lightened

SMART PLUG DUAL OUTLET | OUTDOOR



Item	Finish	(A) Length	(B) Height	(C) Width
S11281	Matte Black	1.69"	11.75"	2.99"

Specifications



Certifications



Consult Satco or visit www.satco.com for an up-to-date dimmer compatibility list. Product sheet SN1680

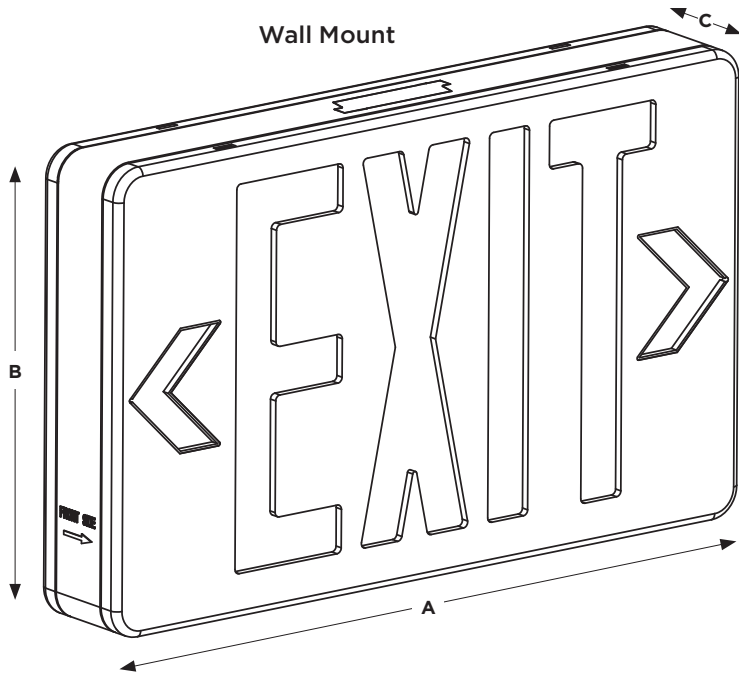
LED EXIT SIGN



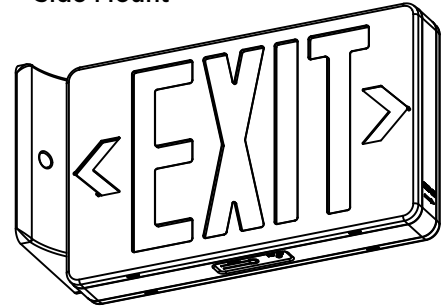
Features:

- Green or Red Lettering
- Single or Double Face
- Knockout Chevron Directional Arrows
- Ceiling, Wall or Side Mounting,
- Accessories Included
- 5VA Flame Retardant ABS Housing
- 90 Minute Battery Backup Run Time
- Test Switch and AC Supply Indicator

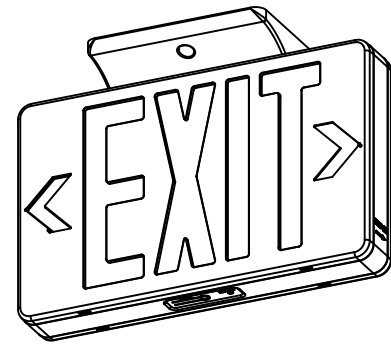
LED EXIT SIGN



Side Mount



Ceiling Mount



Item	Description	Letter Color	Housing Color	Watts	(A) Width	(B) Height	(C) Depth
67-100	LED Exit Indoor Sign	Green	White	2.9W	11.81"	7.25"	1.81"
67-101	LED Exit Indoor Sign	Red	White	2.9W	11.81"	7.25"	1.81"

Product sheet NU1800

Specifications



Certifications



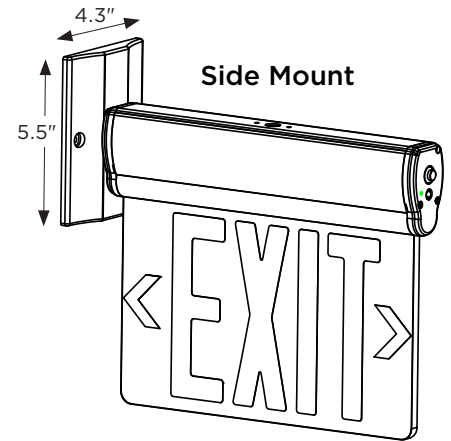
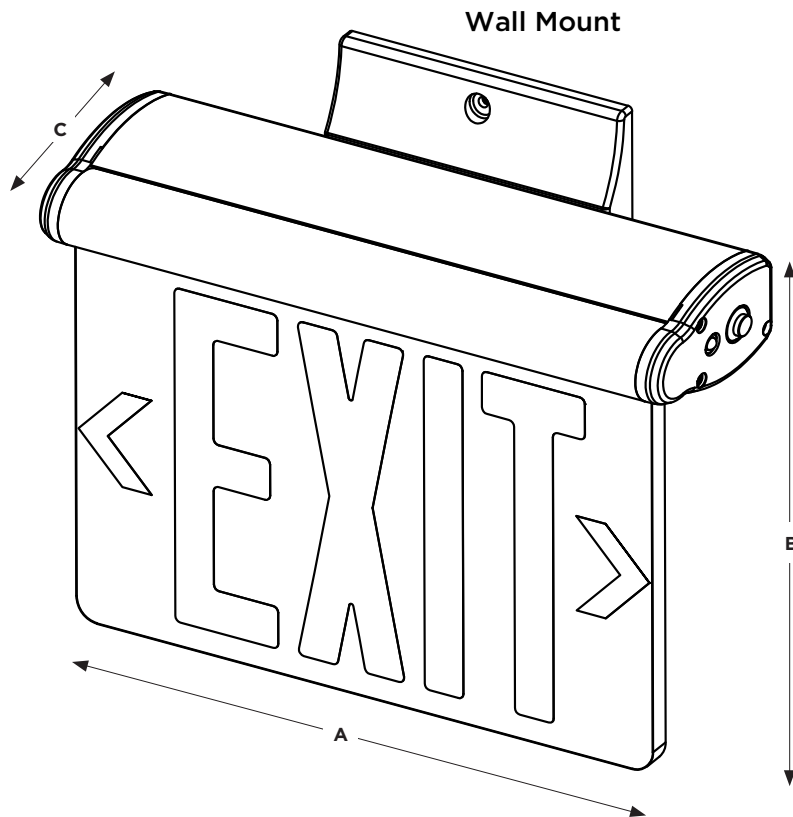
LED EDGE-LIT EXIT SIGN



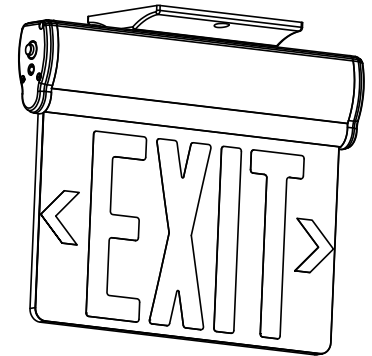
Features:

- Green or Red Lettering
- Mirrored Double Face or Clear Single Face
- Configurable Arrows
- Ceiling, Wall or Side Mounting, Accessories Included
- Sleek Brushed Aluminum Housing
- 90 Minute Battery Backup Run Time
- Test Switch and AC Supply Indicator

LED EDGE-LIT EXIT SIGN



Ceiling Mount



Item	Description	Faces	Letter Color	Panel Finish	Watts	(A) Width	(B) Height	(C) Depth
67-110	LED Edge-Lit Exit Sign	Double	Green	Mirror	2.9W	12.06"	9.69"	1.81"
67-111	LED Edge-Lit Exit Sign	Double	Red	Mirror	3.1W	12.06"	9.69"	1.81"
67-112	LED Edge-Lit Exit Sign	Single	Green	Clear	2.9W	12.06"	9.69"	1.81"
67-113	LED Edge-Lit Exit Sign	Single	Red	Clear	3.1W	12.06"	9.69"	1.81"

Specifications

120-277V
DAMP LOCATION
SINGLE/DOUBLE Face
2 Year Warranty

Product sheet NUI798

Certifications

UL CERTIFIED
OSHA®
NFPA®
RoHS COMPLIANT

LED EXIT SIGN

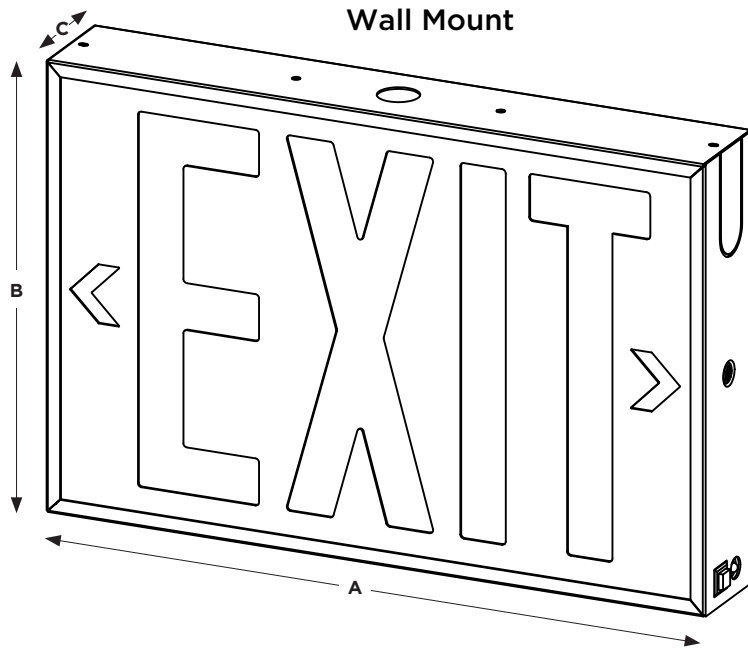


Features:

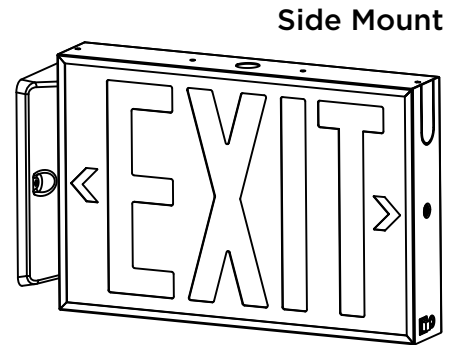
- Red Lettering
- Single or Double Face
- Knockout Chevron Directional Arrows
- Ceiling, Wall or Side Mounting,
- Accessories Included
- 20-Gauge Steel Housing
- 90 Minute Battery Backup Run Time
- Test Switch and AC Supply Indicator



LED EXIT SIGN

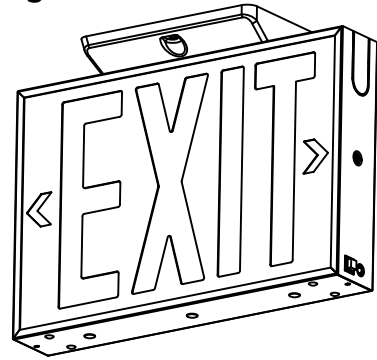


Wall Mount



Side Mount

Ceiling Mount



Item	Description	Letter Color	Housing Color	Watts	(A) Width	(B) Height	(C) Depth
67-102	LED Exit Sign NYC Approved	Red	White	2.0W	14.56"	9.63"	2.31"

Product sheet NU1799

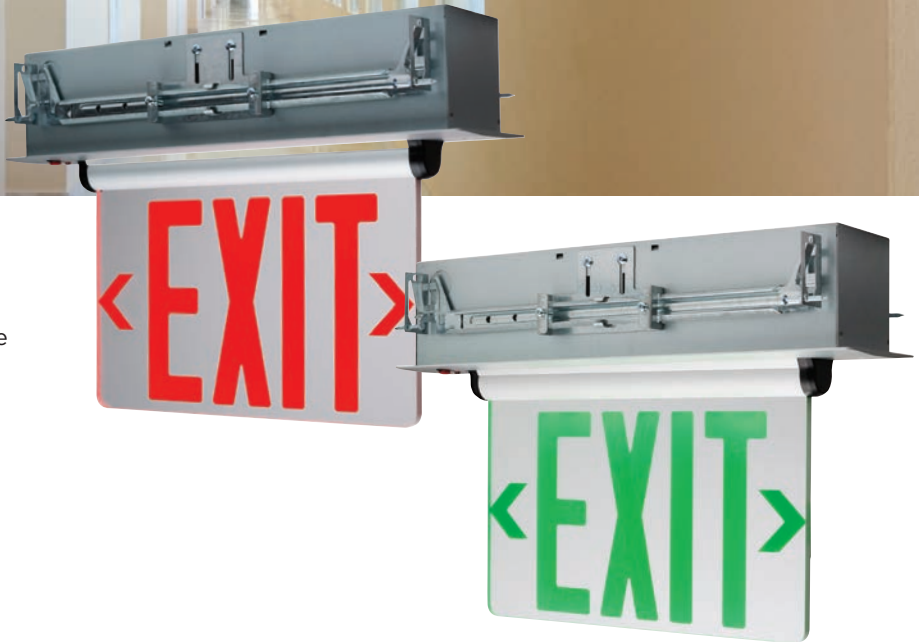
Specifications



Certifications



LED RECESSED EDGE-LIT EXIT SIGN

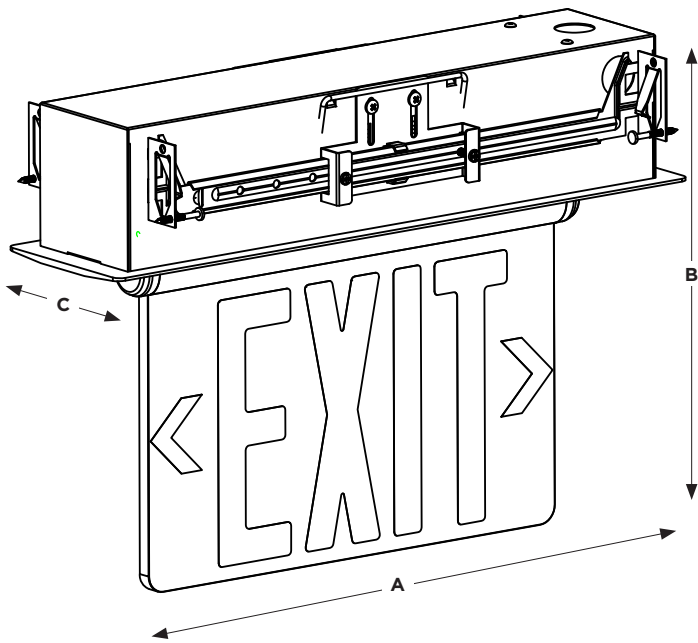


Features:

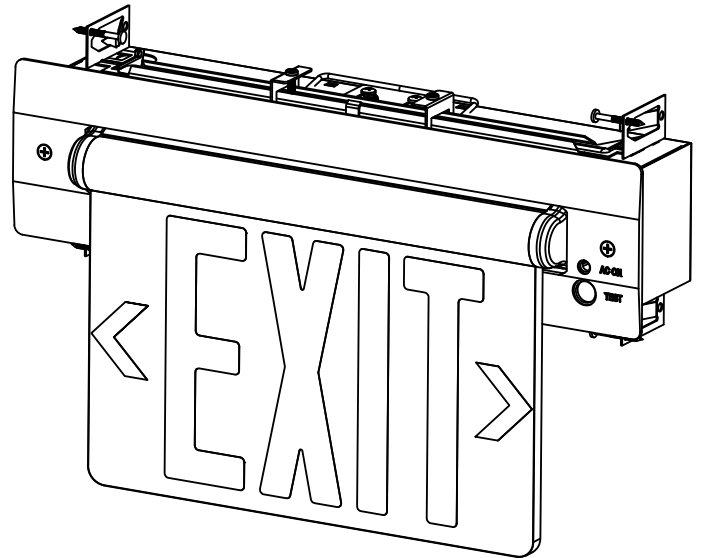
- Green or Red Lettering
- Mirrored Double Face or Clear Single Face
- Configurable Arrows
- Recessed Ceiling and Wall Mounting, Accessories Included
- Sleek Brushed Aluminum Housing
- 90 Minute Battery Backup Run Time
- Test Switch and AC Supply Indicator

LED RECESSED EDGE-LIT EXIT SIGN

Recessed Ceiling Mount



Recessed Wall Mount



Item	Description	Faces	Letter Color	Panel Finish	Watts	(A) Width	(B) Height	(C) Depth
67-114	LED Edge-Lit Exit Sign	Single	Red	Clear	3.14W	15.75"	11.00"	4.00"
67-115	LED Edge-Lit Exit Sign	Double	Green	Mirrored	2.94W	15.75"	11.00"	4.00"
67-116	LED Edge-Lit Exit Sign	Single	Green	Clear	2.94W	15.75"	11.00"	4.00"
67-117	LED Edge-Lit Exit Sign	Double	Red	Mirrored	3.14W	15.75"	11.00"	4.00"

Product sheet NU1797

Specifications



Certifications



LED EXIT AND EMERGENCY LIGHT COMBO SIGN

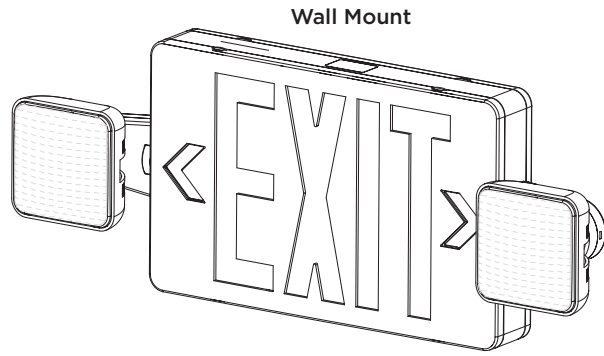


Features:

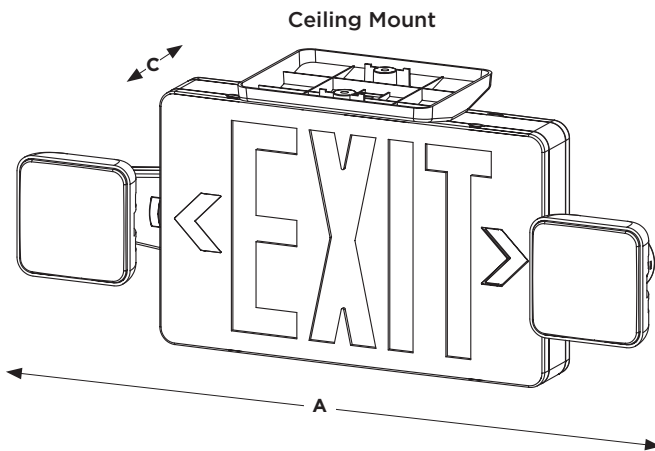
- Green or Red Lettering
- Single Face or Dual Face
- Knockout Chevron Directional Arrows
- Ceiling and Wall Mounting,
- Accessories Included
- 5VA Flame Retardant ABS Housing
- 90 Minute Battery Backup Run Time



LED EXIT AND EMERGENCY LIGHT COMBO SIGN



Wall Mount



Ceiling Mount

Accessories



Remote Emergency Light Single Head White



Remote Emergency Light Double Head White

Item	Description	Letter Color	Finish	Watts
67-120	LED Exit & Emergency Sign	Green	White	2.8W
67-121	LED Exit & Emergency Sign	Red	White	2.8W
67-122	LED Exit & Emergency Sign	Red	White	3.5W
67-125	LED Exit & Emergency Sign	Green	White	3.5W

Accessories

67-134	Remote Emergency Light SH	N/A	White
67-135	Remote Emergency Light DH	N/A	White

Dimensions

Item	(A) Width	(B) Height	(C) Depth
67-120	19.00"	7.25"	4.00"
67-121	19.00"	7.25"	4.00"
67-122	19.00"	7.25"	4.00"
67-125	19.00"	7.25"	4.00"

Accessories

67-134	6.00"	4.25"	3.38"
67-135	6.00"	4.25"	3.38"

Specifications

120-277V



SINGLE/DOUBLE Face

2 Year Warranty

Certifications



LED EXIT AND EMERGENCY LIGHT COMBO SIGN

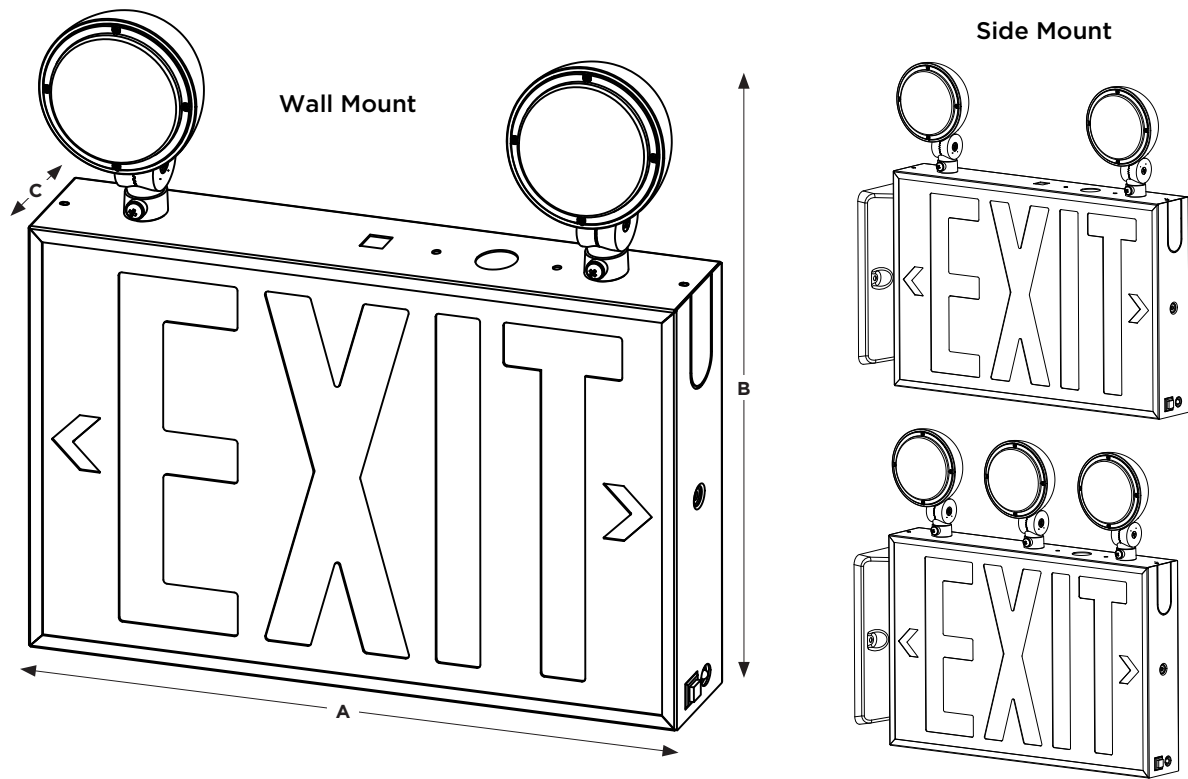


Features:

- Red Lettering
- Single Face or Double Face
- Knockout Chevron Directional Arrows
- Wall or Side Mounting, Accessories Included
- 20-Gauge Steel Housing
- 90 Minute Battery Backup Run Time



LED EXIT AND EMERGENCY LIGHT COMBO SIGN



Item	Description	Letter Color	Housing Color	Watts	(A) Width	(B) Height	(C) Depth
67-123	LED Exit & Emergency Sign 2 Heads NYC	Red	White	3.0W	14.56"	14.88"	2.31"
67-124	LED Exit & Emergency Sign 3 Heads NYC	Red	White	3.0W	14.56"	14.88"	2.31"

Product sheet NU1801

Specifications



Certifications



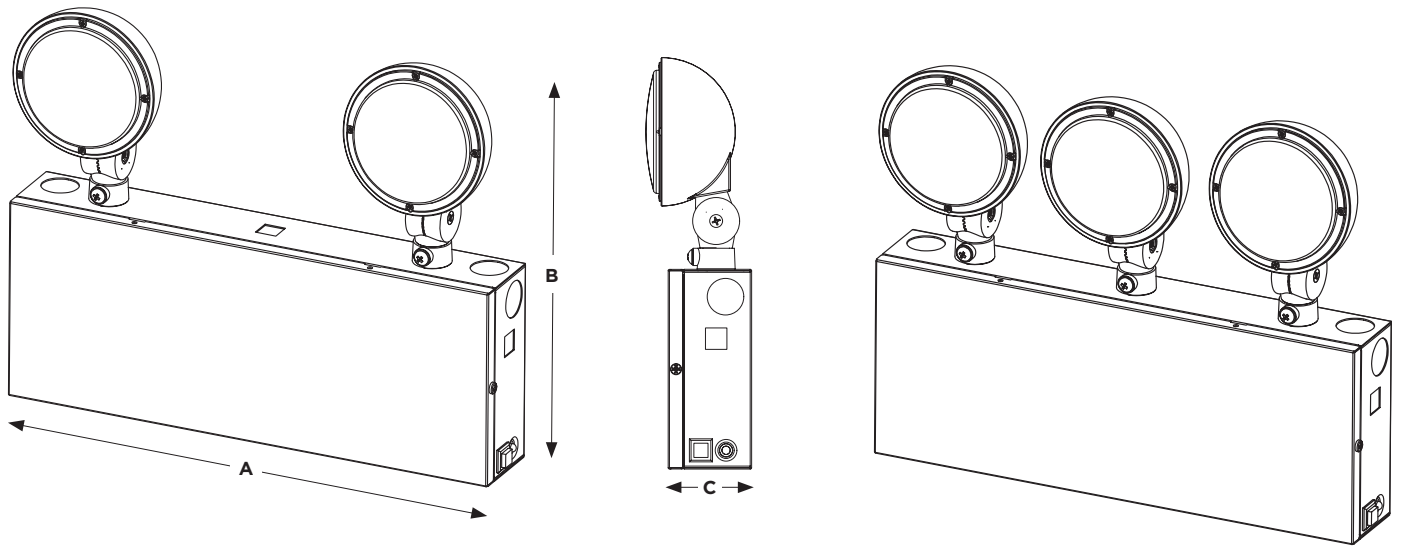
LED EMERGENCY LIGHT



Features:

- Two or Three Adjustable Light Heads
- Wall Mounting, Accessories Included
- NYC Approved Steel Housing
- 90 Minute Battery Backup Run Time
- Test Switch and AC Supply Indicator

LED EMERGENCY LIGHT



Item	Description	Housing Color	Watts	(A) Width	(B) Height	(C) Depth
67-132	LED Emergency Light Two Heads, NYC	White	1.5W	12.00"	9.88"	1.5"
67-133	LED Emergency Light Three Heads, NYC	White	1.5W	12.00"	9.88"	1.5"

Product sheet NU1795

Specifications

120-277V
DAMP LOCATION
SINGLE/DOUBLE Face
2 Year Warranty

Certifications

LED EMERGENCY LIGHT

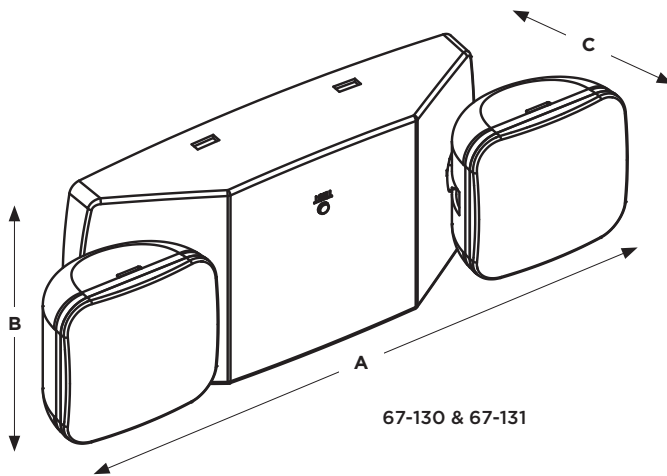
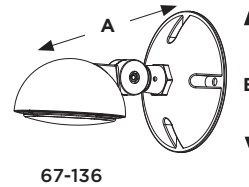
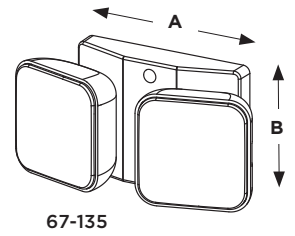
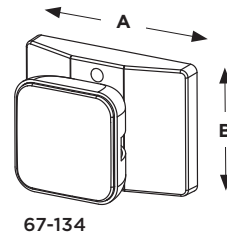
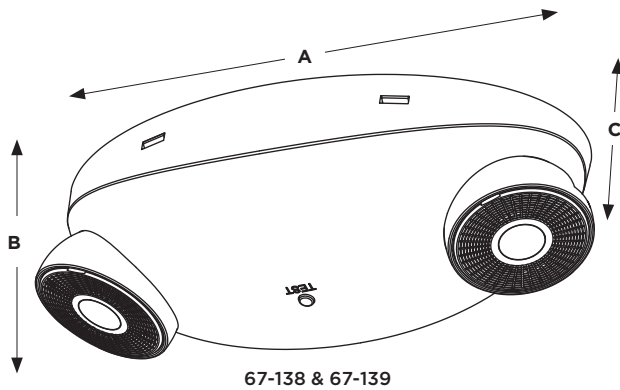


Features:

- Two Adjustable Light Heads
- Ceiling or Wall Mounting, Accessories Included
- 5VA Flame Retardant ABS Lamp Heads
- 90 Minute Battery Backup Run Time
- Test Switch and AC Supply Indicator
- Remote Capable



LED EMERGENCY LIGHT



Remote Capable Light Heads



Remote Emergency Light Single Head White



Remote Emergency Light Double Head White



Remote Emergency Light Single Head White/Weatherproof

Item	Description	Remote Capable	Housing Color	Watts	(A) Width	(B) Height	(C) Depth
67-130	LED Emergency Light, Square	No	White	.8W	12.5"	4.5"	2.88"
67-131	LED Emergency Light, Square RC	Yes	White	1W	12.5"	4.5"	2.88"
67-138	LED Emergency, Light Round	No	White	.8W	8.5"	4.06"	2.38"
67-139	LED Emergency Light, Round RC	Yes	White	1W	8.5"	4.06"	2.38"
Remote Capable Light Heads							
67-134	Remote Emergency Light SH		White		6"	4.25"	
67-135	Remote Emergency Light DH		White		9"	4.5"	
67-136	Remote Emergency Light WP		White		6.06"	4.5"	

Specifications

120-277V



2 Year Warranty

Certifications



Product sheet NU1796

EMERGENCY BATTERY BACKUP WALL PACK - CCT SELECTABLE

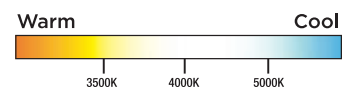


Features:

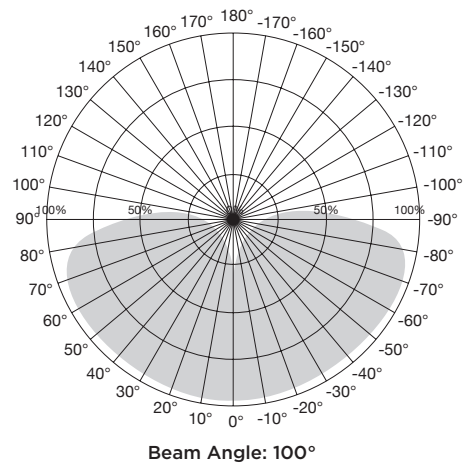
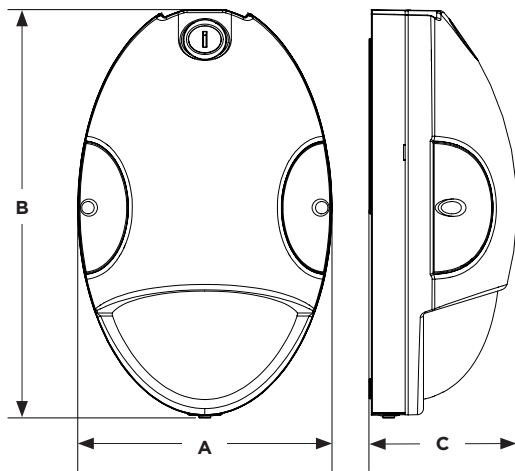
- CCT Selectable - 3500K/4000K/5000K
- Integrated photocell (by-passable)
- Integrated EM Backup, Test/Indicator Button
- Compact Sleek Design
- 2.5kV Surge Protection
- 100° Beam Angle
- 90 Minute Run Time in Emergency Mode



ColorQuick[®]
Selectable Color Technology



EMERGENCY BATTERY BACKUP WALL PACK - CCT SELECTABLE



Item	Description	Watt	CCT	Lumens	(A) Width	(B) Height	(C) Depth
65-880	Bronze	15W	3500K/4000K/5000K	1740-1814	6.54"	10.47"	3.78"
65-881	Black	15W	3500K/4000K/5000K	1740-1814	6.54"	10.47"	3.78"

Product sheet NU1816

Specifications



Certifications



INDEX

Item	Page	Item	Page	Item	Page	Item	Page
25-1700	215	62-1202	69	62-1743	214	62-1901	221, 222
25-1701	215	62-1203	69	62-1744	214	62-1902	221, 222
25-1702	215	62-1204	69	62-1746	214	62-1903	221, 222
25-1704	215	62-1205	69	62-1746/EM	223	62-1904	221, 222
25-1705	215	62-1206	69	62-1747	214	62-1905	221, 222
25-1706	215	62-1207	69	62-1747/EM	223	62-1906	221, 222
25-1710	215	62-1208	69	62-1748	214	62-1907	221, 222
25-1711	215	62-1388	255	62-1749	214	62-1910	221, 222
25-1712	215	62-1389	255	62-1756	214	62-1911	221, 222
25-1713	215	62-1390	255	62-1756/EM	223	62-1912	221, 222
25-1714	215	62-1391	255	62-1757	214	62-1913	221, 222
25-1715	215	62-1393	255	62-1757/EM	223	62-1914	221, 222
25-1716	215	62-1394	255	62-1758	214	62-1915	221, 222
25-1717	215	62-1396	255	62-1759	214	62-1916	221, 222
25-1720	215	62-1397	255	62-1770	218, 219	62-1917	221, 222
25-1721	215	62-1399	255	62-1771	218, 219	62-1920	221, 222
25-1722	215	62-1400	255	62-1772	218, 219	62-1921	221, 222
25-1723	215	62-1580	225	62-1773	218, 219	62-1922	221, 222
25-1724	215	62-1581	225	62-1774	218, 219	62-1923	221, 222
25-1725	215	62-1582	225	62-1775	218, 219	62-1924	221, 222
25-1726	215	62-1583	225	62-1776	218, 219	62-1925	221, 222
25-1727	215	62-1584	225	62-1777	218, 219	62-1926	221, 222
25-4091	253	62-1590	225	62-1778	218, 219	62-1927	221, 222
60-671	69	62-1690	239	62-1779	218, 219	62-1942	243
60-672	69	62-1691	239	62-1780	218, 219	62-1943	243
60-673	69	62-1692	239	62-1781	218, 219	62-1944	243
60-674	69	62-1693	239	62-1782	218, 219	62-1971	237
60-675	69	62-1695	241	62-1783	218, 219	62-1972	237
60-676	69	62-1696	241	62-1784	218, 219	62-1975	231
60-677	69	62-1697	241	62-1785	218, 219	62-1976	231
60-678	69	62-1698	241	62-1786	218, 219	62-1977	231
60-679	69	62-1700	214	62-1787	218, 219	62-1978	231
60-680	69	62-1701	214	62-1788	218, 219	62-1979	233
60-681	69	62-1702	214	62-1789	218, 219	62-1980	233
60-682	69	62-1703	214	62-1796	218, 219	62-1981	231
62-558	245	62-1704	214	62-1799	218, 219	62-1985	235
62-559	245	62-1705	214	62-1800	227	62-2932	253
62-560	245	62-1706	214	62-1801	227	62-2934	253
62-568	245	62-1707	214	62-1802	227	62-2936	253
62-569	245	62-1710	214	62-1803	227	63-401	203
62-570	245	62-1710/EM	223	62-1804	227	63-402	203
62-686	247	62-1711	214	62-1805	227	63-403	203
62-687	247	62-1711/EM	223	62-1810	227	63-404	203
62-688	247	62-1712	214	62-1811	227	63-411	203
62-689	247	62-1712/EM	223	62-1812	227	63-412	203
62-700	109	62-1713	214	62-1813	227	63-413	203
62-816	251	62-1713/EM	223	62-1814	227	63-414	203
62-817	251	62-1714	214	62-1815	227	63-415	203
62-818	251	62-1714/EM	223	62-1820	227	63-416	203
62-819	251	62-1715	214	62-1821	227	63-417	203
62-826	249	62-1715/EM	223	62-1842	243	63-418	203
62-827	249	62-1716	214	62-1843	243	63-419	203
62-828	249	62-1716/EM	223	62-1844	243	63-420	203
62-829	249	62-1717	214	62-1850	229	63-421	203
62-927	211	62-1717/EM	223	62-1851	229	63-422	203
62-928	211	62-1718	214	62-1852	229	63-431	203
62-1105	193	62-1719	214	62-1853	229	63-432	203
62-1106	193	62-1720	214	62-1854	229	63-451	203
62-1107	193	62-1720/EM	223	62-1856	229	63-452	203
62-1108	193	62-1721	214	62-1858	229	63-453	203
62-1137	73	62-1721/EM	223	62-1859	229	63-454	203
62-1138	73	62-1722	214	62-1860	229	63-461	203
62-1139	73	62-1722/EM	223	62-1861	229	63-462	203
62-1141R1	75	62-1723	214	62-1871	237	63-463	203
62-1142R1	75	62-1723/EM	223	62-1872	237	63-464	203
62-1143R1	75	62-1724	214	62-1873	237	63-465	203
62-1144R1	75	62-1724/EM	223	62-1874	237	63-466	203
62-1145R1	75	62-1725	214	62-1875	231	63-467	203
62-1146R1	75	62-1725/EM	223	62-1876	231	63-468	203
62-1147	73	62-1726	214	62-1877	231	63-469	203
62-1148	73	62-1726/EM	223	62-1878	231	63-470	203
62-1149	73	62-1727	214	62-1879	233	63-471	203
62-1197	69	62-1727/EM	223	62-1880	233	63-472	203
62-1198	69	62-1728	214	62-1881	231	63-500	201
62-1199	69	62-1729	214	62-1885	235	63-501	201
62-1200	69	62-1733	214	62-1886	235	63-502	201
62-1201	69	62-1734	214	62-1900	221, 222	63-503	201

INDEX

Item	Page	Item	Page	Item	Page	Item	Page
63-504	201	65-530	53	65-644R1	95	65-761	5
63-505	201	65-531	53	65-645R1	95	65-762	5
63-510	201, 205	65-532	53	65-646R1	95	65-763	84, 89
63-511	201, 205	65-533	53	65-647R1	95	65-764	84, 89
63-512	201, 205	65-534R1	53	65-648R1	95	65-765	84, 89
63-513	201, 205	65-535R1	53	65-650	96	65-766	84, 89
63-514	201, 205	65-536R1	53	65-651	96	65-769	84, 89
63-515	201, 205	65-537R1	53	65-652	96	65-770R3	83
63-516	201, 205	65-538R1	53	65-653	96	65-771R3	83
63-517	201, 205	65-539R1	53	65-655	17	65-778	85, 89
63-518	201, 205	65-541	51	65-656	17	65-779	85, 89
63-519	201, 205	65-542	51	65-657	49	65-780	84, 89
63-520	201	65-543	51	65-658	49	65-781R2	87
63-521	201	65-544	51	65-659	49	65-782R2	87
63-522	201	65-545	51	65-660	49	65-783R2	87
63-523	201	65-546	51	65-661	49	65-784R2	87
63-524	201	65-547	51	65-662	49	65-785R2	87
63-525	201	65-548	51	65-671	13	65-786R2	87
63-530	201, 205	65-549	51	65-672	13	65-787R2	87
63-531	201, 205	65-550	79	65-673	13	65-788R2	87
63-532	201, 205	65-551	79	65-674	11	65-789	89
63-533	201, 205	65-571R1	117	65-675	11	65-790	85, 89
63-534	201, 205	65-572R1	117	65-676	11	65-791R2	87
63-535	201, 205	65-573R1	117	65-677	9	65-792R2	87
63-536	201, 205	65-575R1	117	65-678	9	65-793R2	87
63-537	201, 205	65-576R1	117	65-679	9	65-794R2	87
63-551	205	65-577R1	117	65-680	9	65-795R2	87
63-552	205	65-581R1	117	65-681	45	65-796R2	87
63-553	205	65-582R1	117	65-682	45	65-797R2	87
63-554	205	65-583R1	117	65-683	45	65-798R2	87
63-555	205	65-585R1	117	65-684	45	65-799	85, 89
63-700	207	65-586R1	117	65-685	45	65-800	85, 89
63-701	207	65-587R1	117	65-686	45	65-801R2	87
65-113	77	65-588	117	65-687	45, 47	65-802R2	87
65-114	77	65-589	117	65-688	45	65-803R2	87
65-150	27	65-590	117	65-690	119	65-804R2	87
65-169	84, 89	65-591	117	65-691	119	65-805R2	87
65-170	84, 89	65-592	117	65-692	119	65-806R2	87
65-171	81	65-593	117	65-693	119	65-807R2	87
65-172	81	65-595R1	117	65-694	119	65-808R2	87
65-173	81	65-596R1	117	65-695	119	65-809	85, 89
65-199	84, 89	65-597R1	117	65-696	119	65-810	85, 89
65-200	84, 89	65-598	117	65-697	119	65-811	85, 89
65-210	65	65-599	117	65-698	101	65-812	83
65-211	65	65-600	117	65-699	101	65-813	83
65-212	65	65-604	53	65-700R1	101	65-815	84, 89
65-213	65	65-605	53	65-701	101	65-818	5
65-214	65	65-606	53	65-702	101	65-819	5
65-215	65	65-609	53	65-703R1	101	65-820R1	103
65-216	65	65-610	53	65-706	101	65-821R1	103
65-217	65	65-613	53	65-707	101	65-822R1	103
65-218	65	65-615	53	65-708	101	65-823R1	103
65-219	65	65-616	53	65-710	67	65-824R1	103
65-220	65	65-617	53	65-711	67	65-825R1	103
65-221	65	65-618	53	65-712	67	65-826	103
65-244	47	65-619R1	53	65-713	67	65-827	103
65-245	47	65-620R1	53	65-714	67	65-828	105
65-401	71	65-623R1	25	65-715	67	65-830R1	105
65-403	71	65-624R1	25	65-716	67	65-831R1	105
65-405	71	65-625R1	25	65-717	67	65-832R1	105
65-407	71	65-626R1	25	65-718	67	65-833R1	105
65-409	71	65-627R1	25	65-719	67	65-840	29
65-411	71	65-628R1	25	65-720	67	65-840-4	29
65-497	99	65-629R1	25	65-721	67	65-840-5	29
65-498	99	65-630R1	25	65-747	21	65-841	29
65-499	99	65-631R1	25	65-748	21	65-841-4	29
65-500	99	65-632R1	25	65-749	21	65-841-5	29
65-501	99	65-633	23	65-750	19	65-842	29
65-502	99	65-634	23	65-751	19	65-842-4	29
65-503	99	65-635	23	65-752	19	65-842-5	29
65-504	99	65-636	23	65-754	5	65-843	29
65-505	99	65-637	23	65-755	5	65-843-4	29
65-506	99	65-638	25	65-756	5	65-843-5	29
65-507	99	65-639	25	65-757	5	65-844	31
65-508	99	65-641R1	95	65-758	5	65-844-4	31
65-528	53	65-642R1	95	65-759	84, 89	65-844-5	31
65-529	53	65-643R1	95	65-760	5	65-845	31

INDEX

Item	Page	Item	Page	Item	Page	Item	Page
65-845-4	31	65-930	61	67-112	269	86-224	37
65-845-5	31	65-931	61	67-113	269	86-225	37
65-846	33	65-935	257	67-114	273	86-226	37
65-846-4	33	65-936	257	67-115	273	86-227	37
65-846-5	33	65-940	259	67-116	273	86-228	37
65-847	33	65-945	261	67-117	273	86-235	27
65-847-4	33	65-956	209	67-120	275	S8000	145, 149, 153, 155
65-847-5	33	65-957	209	67-121	275	159, 161, 163, 173	
65-848	33	65-958	209	67-122	275	S8002	145, 149, 153, 155
65-848-4	33	65-959	209	67-123	277	159, 161, 163, 173	
65-848-5	33	65-960	209	67-124	277	S8003	169, 171
65-849	33	65-961	209	67-125	275	S11281	265
65-849-4	33	65-962	209	67-130	281	S11618R1	159
65-849-5	33	65-963	209	67-131	281	S11619R1	159
65-860	29	65-964	209	67-132	279	S11620R1	159
65-860-4	29	65-965	209	67-133	279	S11621R1	161
65-860-5	29	65-970	209	67-134	273, 279	S11622R1	161
65-861	29	65-971	209	67-135	273, 279	S11623R1	161
65-861-4	29	65-972	209	67-136	281	S11624R1	159
65-861-5	29	65-973	209	67-138	281	S11625R1	159
65-862	29	65-974	209	67-139	281	S11626R1	159
65-862-4	29	65-975	209	76-640	69	S11627R1	161
65-862-5	29	65-980	27	76-641	69	S11628R1	161
65-863	29	65-981	27	76-665	69	S11629R1	161
65-863-4	29	65-982	27	76-666	69	S11630R1	159
65-863-5	29	65-983	27	80-942	159, 161	S11631R1	159
65-864	31	65-985	15	80-943	145, 149, 153	S11632R1	159
65-864-4	31	65-986	15	155, 159, 161, 163		S11633R1	161
65-864-5	31	65-987	15	80-944	145, 149, 153, 155, 163	S11634R1	161
65-865	31	65-995	63	80-945	145	S11635R1	161
65-865-4	31	65-996	63	80-946	145, 149, 153, 155-	S11640	135
65-865-5	31	65-997	63	159, 163, 165, 167, 169, 173		S11641	135
65-866	33	65-998	63	80-947	145, 149, 153, 155	S11646	123
65-866-4	33	65-1009	91	163, 165, 167, 169, 173		S11647	123
65-866-5	33	65-1010	91	80-948	145, 169, 173	S11680	143
65-867	33	65-1011	91	80-949	145, 159, 161	S11681	143
65-867-4	33	65-1012	91	80-950	153, 155, 159	S11690	147
65-867-5	33	65-1013	91	161, 163, 165, 167		S11691	147
65-868	33	65-1014	93	80-951	153, 155, 163, 165, 167	S11800R1	125
65-868-4	33	65-1015	93	80-952	163	S11801R1	125
65-868-5	33	65-1016	93	80-959	169, 171, 173	S11810	169, 171
65-869	33	65-1018	93	80-970	169, 173	S11811	169, 171
65-869-4	33	65-1019	92	80-973	145, 149, 153, 155	S11812	169, 171
65-869-5	33	65-1020	92	159, 161, 163, 173		S11813	169, 171
65-870	37	65-1021	92	80-974	131	S11814	169, 171
65-871	37	65-1022	92	80-975	131	S11815	169, 171
65-872	37	65-1023	92	80-976	131	S11816	169, 171
65-873	37	65-1024	92	80-977	131	S11817	169, 171
65-874	37	65-1070	113	80-978	131	S11820R1	125
65-875	37	65-1071	113	80-979	131	S11821R1	125
65-876	37	65-1072	113	80-980	141	S11822	125
65-877	37	65-1073	113	80-981	141	S11824	125
65-878	37	65-1074	113	80-982	141	S11825R1	125
65-880	283	65-1210	111	80-983	141	S11826	145
65-881	283	65-1211	111	80-985	149, 153, 155, 163	S11827	145
65-884	7	65-1212	111	80-988	141	S11828	145
65-885	7	65-1213	111	80-989	141	S11829	145
65-890	43	65-1214	111	80-990	131	S11830	145
65-891	43	65-1215	111	80-991	131	S11831	145
65-892	43	65-1220	115	80-992	131	S11832R1	127
65-893	43	65-1221	115	80-993	131	S11833R1	127
65-900	57	65-1222	115	80-994	131	S11834R1	127
65-901	57	65-1223	115	80-995	131	S11835R1	127
65-902	57	65-1224	115	86-202R	99, 101	S11836R1	127
65-910	107	65-1225	115	86-205	9, 11, 13	S11837R1	127
65-911	107	65-1226	115	86-209	93, 96	S11838	138
65-912	107	65-1227	115	86-211	99, 101, 113	S11840	163
65-913	107	65-1228	115	86-212	53	S11841	163
65-914	107	65-1700R1	101	86-214	99, 101	S11842	163
65-915	107	65-1701	101	86-216	145, 159, 161	S11843	163
65-916	107	65-1702	101	86-217	23, 25, 85, 89, 93, 96	S11846	137
65-917	107	65-1703R1	101	86-218	23, 25, 85, 89, 93, 96	S11850	173
65-918	107	67-100	267	86-219	23, 25, 85, 89, 93, 96	S11851	173
65-919	107	67-101	267	86-220	23, 25, 85, 89, 93, 96	S11852	173
65-920	59	67-102	271	86-221	37, 43	S11853	173
65-921	59	67-110	269	86-222	37	S11854	129
65-925	263	67-111	269	86-223	37, 43	S11855	129

INDEX

Item	Page	Item	Page	Item	Page	Item	Page
S11856	129	TH424	183	TH635	185	TP166	196
S11857	129	TH425	183	TH636	185	TP167	197
S11858	129	TH427	183	TH637	185	TP168	197
S11859	129	TH431	187	TH638	185	TP169	197
S11860	163	TH432	187	TH641	187	TP170	197
S11861	163	TH433	187	TH642	187	TP171	197
S11862	163	TH434	187	TH643	187	TP172	197
S11863	163	TH435	187	TH644	187	TP176	189, 197
S11864	155	TH437	187	TH645	185	TP177	189, 197
S11865	155	TH441	181	TH646	185	TP185	196, 197
S11866	155	TH442	181	TH647	185	TP201	197
S11867	155	TH443	181	TH648	185	TP202	197
S11868	155	TH444	181	TH651	185	TP203	197
S11869	155	TH445	181	TH652	185	TP204	197
S11870	149	TH447	181	TH653	185	TP205	197
S11871	149	TH451	187	TH661	185	TP206	197
S11872	149	TH452	187	TH662	185	TP207	197
S11873	149	TH453	187	TH663	185	TP208	197
S11874	145	TH454	187	TH701	177	TP209	197
S11875	145	TH455	187	TH702	177	TP211	197
S11876	145	TH457	187	TH703	177	TP215	197
S11877	145	TH461	181	TH704	177	TP216	197
S11878	153	TH462	181	TH711	177	TP217	197
S11879	153	TH463	181	TH712	177	TP231	197
S11880	157	TH464	181	TH713	177	TP232	197
S11881	157	TH465	181	TH714	177	TP233	197
S11882	131	TH467	181	TH721	177	TP234	197, 199
S11883	131	TH471	185	TH722	177	TP235	197, 199
S11884	131	TH472	185	TH723	177	TP236	197, 199
S11885	131	TH473	185	TH724	177	TP237	197, 199
S11886	151	TH474	185	TH731	175	TP238	197, 199
S11887	151	TH475	185	TH732	175	TP239	197, 199
S11888	151	TH477	185	TH741	175	TP240	199
S11889	151	TH480	181	TH742	175	TP241	199
S12600	133	TH481	181	TH903	189	TP242	199
S12601	133	TH482	181	TH904	189	TP244	197, 199
S12602	133	TH483	181	TH913	189	TP245	197, 199
S12603	133	TH484	181	TH914	189	TP246	197, 199
S12604	133	TH485	181	TK403	195	TP247	175, 177, 198
S12605	133	TH486	181	TK404	195	TP248	175, 177, 198
S18800	121	TH487	181	TK407	195	TP249	175, 177, 198
S18801	121	TH488	183	TK413	195	TP250	175, 177, 198
S18802	121	TH489	183	TK414	195	TP251	198
S18803	121	TH490	183	TK417	195	TP252	198
S29598	139	TH491	183	TK423	195	TP253	198
S29599	139	TH492	183	TK424	195	TP254	198
S39011	167	TH493	183	TK427	195	TP255	198
S39012	167	TH494	183	TL100	196	TP256	198
S39013	167	TH495	183	TL101	196	TP257	198
S39021	167	TH496	183	TL102	196	TP258	198
S39026	167	TH497	183	TL103	196	TP259	198
S39027	167	TH498	183	TL104	196	TP260	198
S39028	167	TH499	183	TL105	196	TP269	197, 199
S39029	167	TH500	191	TL106	196	TP270	197, 199
S39055	165	TH501	191	TP142	175, 177, 197	TR118	196
S39056	165	TH502	191	TP143	175, 177, 197	TR119	196
S39057	165	TH503	191	TP144	197	TR120	196
S39058	165	TH504	191	TP145	197	TR121	196
S39059	165	TH505	191	TP146	197	TR122	196
S39061	165	TH506	191	TP147	197	TR123	196
S39062	165	TH507	191	TP148	197	TR124	196
S39063	165	TH601	179	TP149	197	TR125	196
TH401	185	TH602	179	TP150	197	TR126	196
TH402	185	TH603	179	TP151	197	TR127	196
TH403	185	TH604	179	TP152	197	TR128	196
TH404	185	TH611	179	TP153	197	TR129	196
TH405	185	TH612	179	TP154	197	TR131	196
TH407	185	TH613	179	TP155	197	TR132	196
TH411	183	TH614	179	TP156	197	TR133	196
TH412	183	TH621	179	TP157	197	TR134	196
TH413	183	TH622	179	TP159	196		
TH414	183	TH623	179	TP160	196		
TH415	183	TH624	179	TP161	196		
TH417	183	TH631	187	TP162	196		
TH421	183	TH632	187	TP163	196		
TH422	183	TH633	187	TP164	196		
TH423	183	TH634	187	TP165	196		

To learn more about SATCO|NUVO, visit www.satco.com or contact 1-800-437-2826



Like us on Facebook



Connect with us on LinkedIn



Follow us on Instagram

National Toll-Free:

1.800.43.SATCO (1.800.437.2826)

**Corporate Offices &
Distribution Center:**

NEW YORK 110 Heartland Blvd., Brentwood, NY 11717 | 800.437.2826 | 631.243.2022 | Fax 631.243.2027

Distribution Centers:

FLORIDA 1694 NW 215th St. Miami Gardens, FL 33056 | Tel. 305.624.2044 FAX 305.623.0286

CALIFORNIA 31288 San Benito St. Hayward, CA 94544 | Tel. 510.487.4822 FAX 510.487.8955

WASHINGTON 4710 116th St. S.W., Mukilteo, WA 98275 | Tel. 425.789.3300 FAX 425.789.3310

TEXAS 2000 Valwood Parkway, Farmers Branch, TX 75234 | Tel. 972.247.2437 FAX 972.247.5408

PUERTO RICO Campeche St. 23, Julio N. Matos Industrial Park, Carolina, PR 00984 | Tel. 787.757.3510 FAX 787.757.3540

Product specifications and availability are subject to change without notice.
Please visit us online at www.satco.com for our full product line and ordering details, or consult factory for additional information