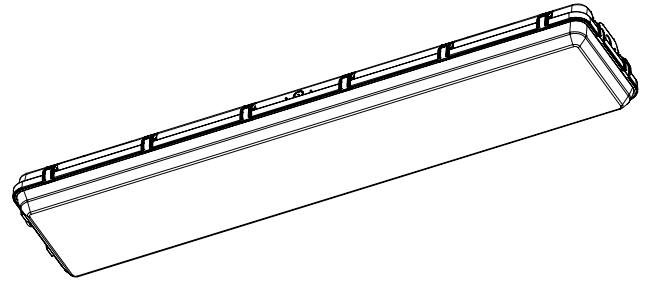


MaxLite® 4ft LSVW series Vapor Tight Highbay (Wattage and CCT select)



General Safety Information

- To reduce the risk of death, personal injury or property damage from fire, electric shock, falling parts, cuts/abrasions, and other hazards read all warnings and instructions included with and on the fixture box and all fixture labels.
- Before installing, servicing, or performing routine maintenance upon this equipment, follow these general precautions.
- Commercial installation, service and maintenance of luminaires should be performed by a qualified licensed electrician.
- For Residential installation: If you are unsure about the installation or maintenance of the luminaires, consult a qualified licensed electrician and check your local electrical code.
- **DO NOT INSTALL DAMAGED PRODUCT!**
- This fixture is intended to be connected to a properly installed and grounded UL listed junction box



Pictures are for illustration purposes only. Your model may vary.

WARNINGS:

RISK OF ELECTRICAL SHOCK

- Turn off electrical power at fuse or circuit breaker box before wiring fixture to the power supply.
- Turn off the power when you perform any maintenance.
- Verify that supply voltage is correct by comparing it with the luminaire label information.
- Make all electrical and grounded connections in accordance with the National Electrical Code and any applicable local code requirements.
- All wiring connections should be capped with UL approved wire connectors.

CAUTION

RISK OF INJURY

- Wear gloves and safety glasses at all times when removing luminaire from carton, installing, servicing or performing maintenance.
- Avoid direct eye exposure to the light source while it is on.
- Account for small parts and destroy packing material, as these may be hazardous to children.

CAUTION

RISK OF FIRE

- Wear gloves and safety glasses at all times when removing luminaire from carton, installing, servicing or performing maintenance.
- Avoid direct eye exposure to the light source while it is on.
- Account for small parts and destroy packing material, as these may be hazardous to children.

MODEL

LSVW series Vapor Tight Highbay

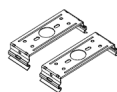
INCLUDED IN THE BOX



Fixture



Cord-grip



Mounting Bracket



V-Hook



Plug



Washers



Plastic Anchors



Mounting Screws



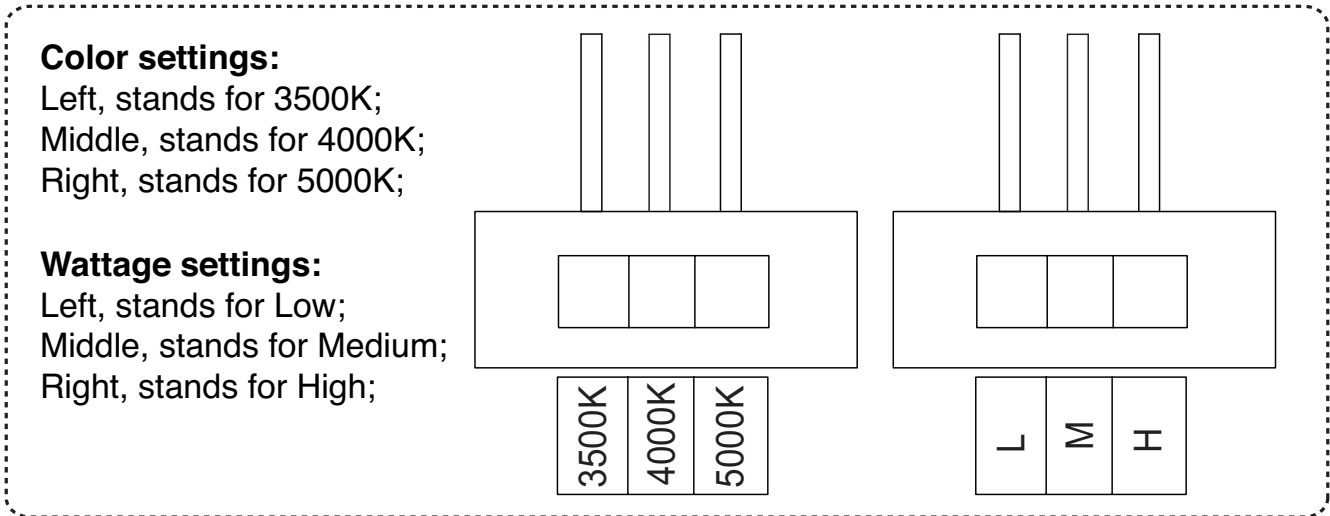
Wire Nuts

**MaxLite® 4ft LSVW series Vapor Tight Highbay
(Wattage and CCT select)**



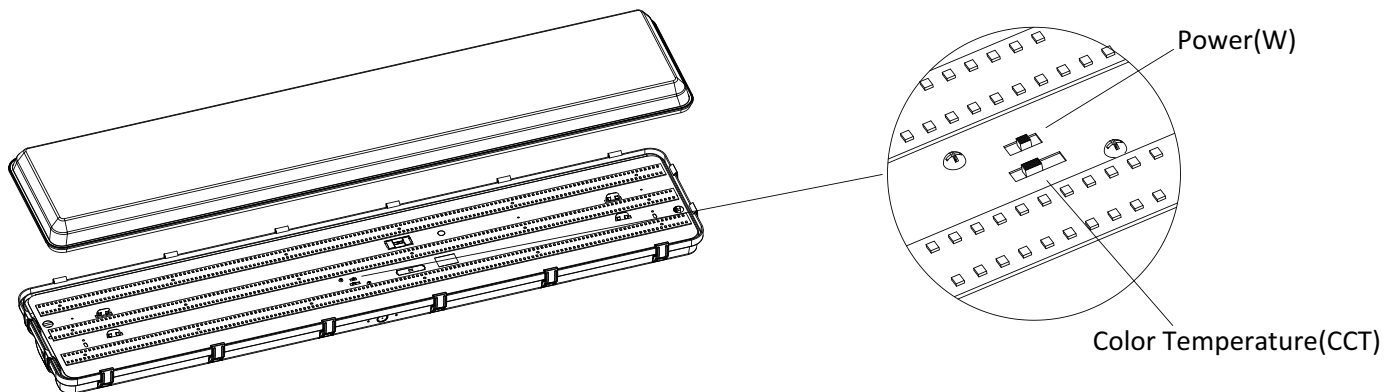
General Wiring Diagram

Note: Applicable to models ending in WCS only. Models are set to lowest wattage and 4000K.



Adjust the color temperature and lumen output respectively by using the two DIP switches. Each DIP switch is accommodated with 3 options (left, middle and right), corresponding to 3 color temperatures and 3 power options respectively. Use these to select the desired color temperature and lumen output combination.

1. DIP switches are located on the side of the fixture.
2. Select a wattage and color temperature by sliding switch left or right to the desired value.



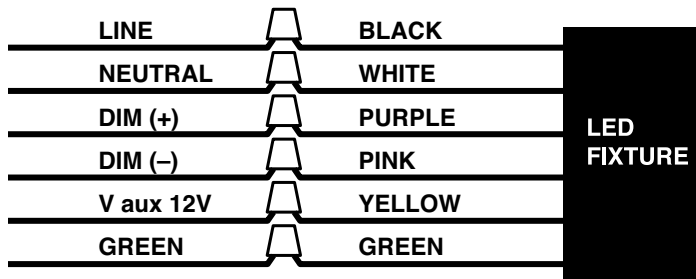
Power and CCT selection:
 • 100/080/060W 5000/4000/3500K
 • 160/140/120W 5000/4000/3500K

Factory Settings:
 • 100W/4000K
 • 160W/4000K

**MaxLite® 4ft LSVW series Vapor Tight Highbay
(Wattage and CCT select)**



General Wiring Diagram



Wiring the Fixture

The fixture comes pre-assembled from the factory. Depending on customer needs, the lighting fixture will either come with or without an installed power cord.

Pre-installed power cord

- Make the appropriate wire connections between the cord and the power source. All wire connections should be completed using approved/appropriate wire connections according to all applicable electrical codes.
- Wires must not be exposed or frayed. Inspect wires for any signs of damage.

NO pre-installed power cord

If there is no pre-installed power cord with the fixture, access to the internal components will be needed to make the appropriate wire connections.

1. Remove the lens by locating and releasing the latches holding the lens to the housing. Support the lens while releasing the latches to avoid dropping the lens.
2. Remove the LED tray by squeezing the two clips. The LED tray is supported by safety cables.
3. Run the external power line wires through the end of the housing and make the appropriate wire connections. All wire connections should be completed using appropriate wire connections and according to local electrical code.
4. Use appropriate parts/accessories to ensure the housing wire port is sealed to prevent water/dust intrusion.
5. Inspect the gasket for any gaps or damage.
6. Reattach the LED tray and lens.

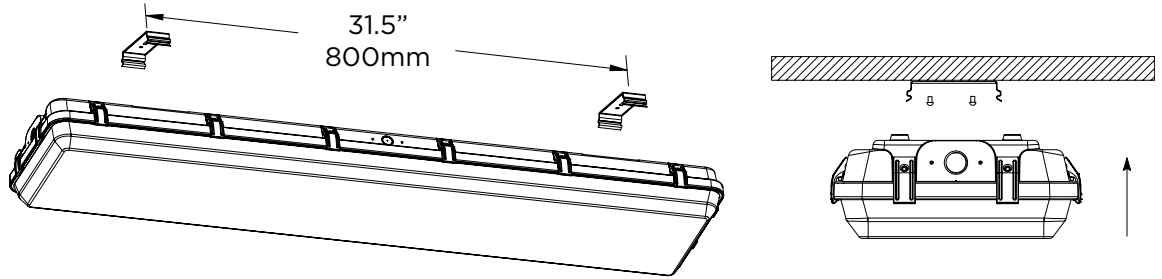
MaxLite® 4ft LSVW series Vapor Tight Highbay
(Wattage and CCT select)



Installation Instructions

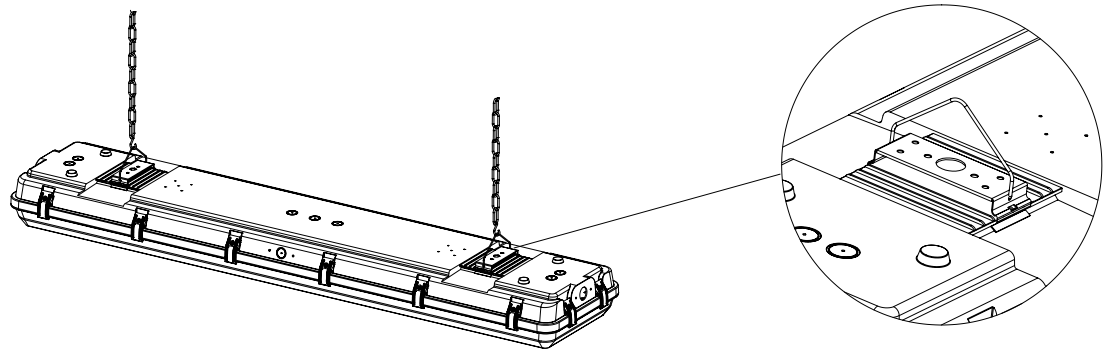
Surface Mounting

Install the two brackets into the desired surface using appropriate hardware. Reference the drawing below for the required distance between brackets. Attach the fixture to the brackets and make sure it is firmly fixed.



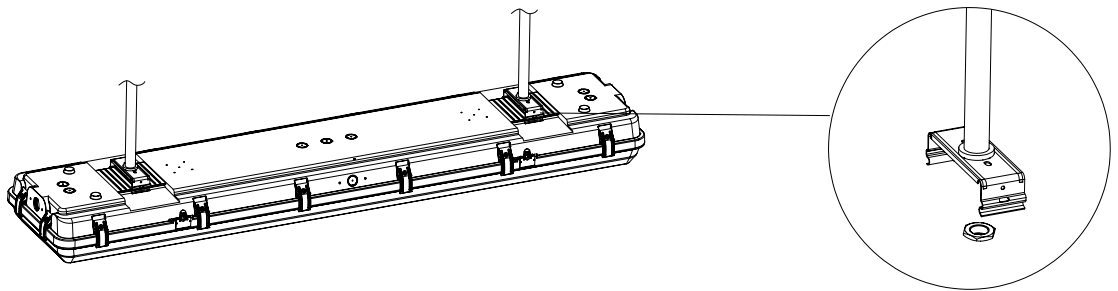
V-Hook Mounting

Snap the fixture on the mounting brackets, Loop V-hooks through the mounting brackets at back of the fixture. Connect to two equal lengths of chains or appropriate hardware(not provided) suitable for mounting surface, to suspend the fixture from V-hooks.

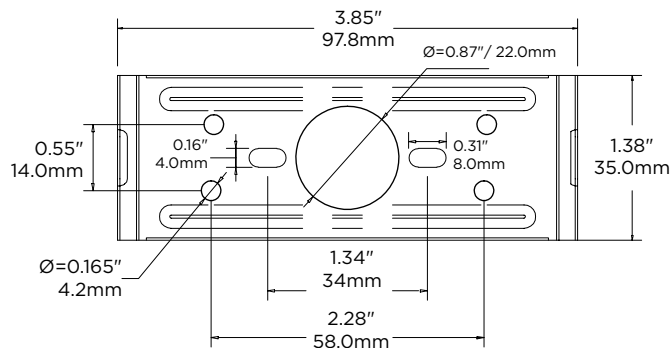


Pendant Mounting

Install the bracket into the 1/2" conduit hub using appropriate hardware. Attach the fixture to the brackets and make sure it is firmly fixed.



Dimensions: Mounting Bracket



MaxLite® 4ft LSVW series Vapor Tight Highbay
(Wattage and CCT select)



Installation Instructions – Field Installable Battery Back-up



WARNING Risk of fire or electric shock, installation requires knowledge of the lighting luminaires electrical systems. If not qualified, do not attempt installation and contact a qualified electrician.

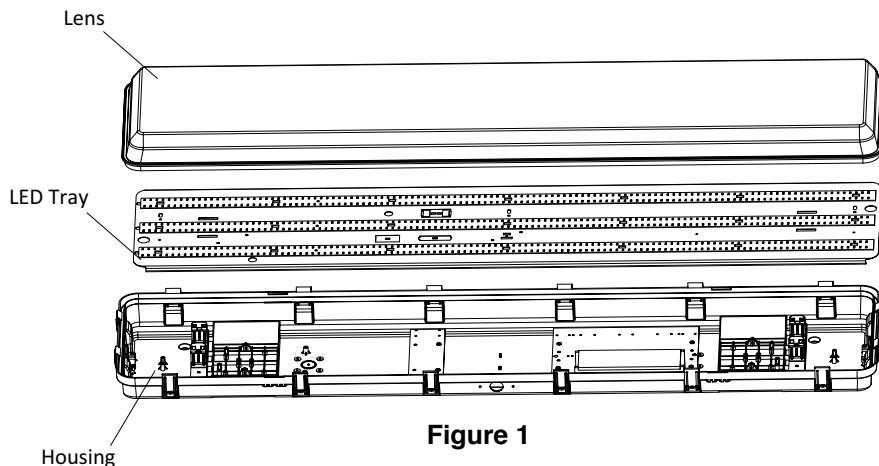


Figure 1

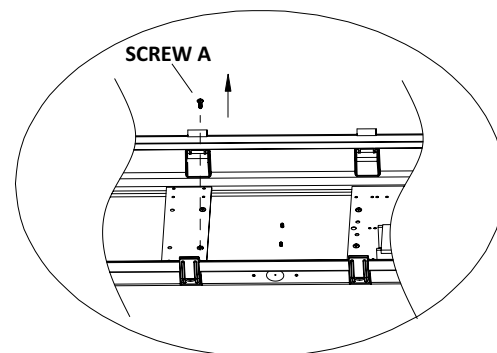


Figure 1A

1. Remove the lens and the LED tray from the housing as shown in Figure 1.
2. Loosen the Screw A indicated in Figure 1A.

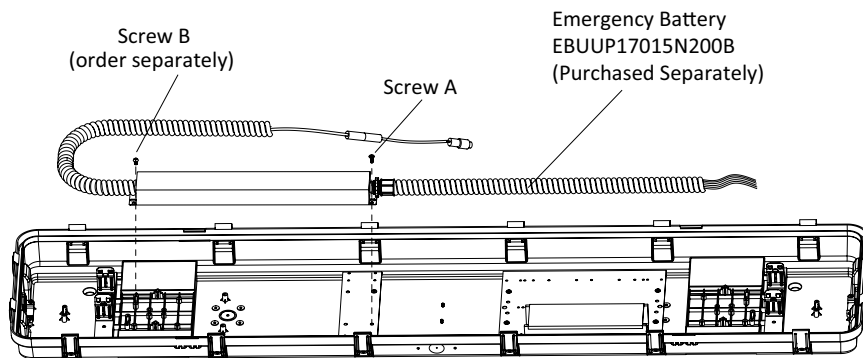


Figure 2

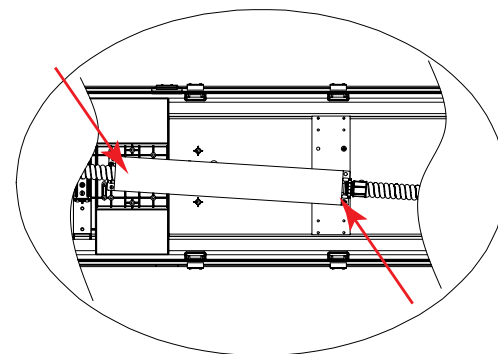


Figure 2A

3. Install the Emergency Battery onto the housing using Screws A and B (order separately) as shown in Figures 2 & 2A.

4. Install Test Switch on the side of the fixture by drilling out side KO using 1/2" drill bit as shown in Figure 3.
5. Connect wires as shown in wiring diagram (Next Page)
5. Reinstall the lens and led tray onto the housing.

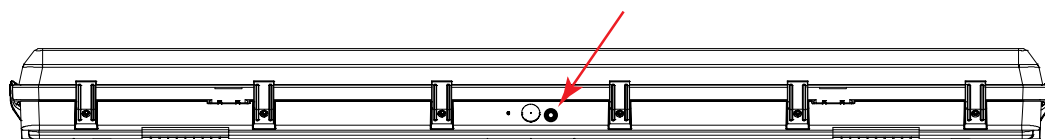


Figure 3

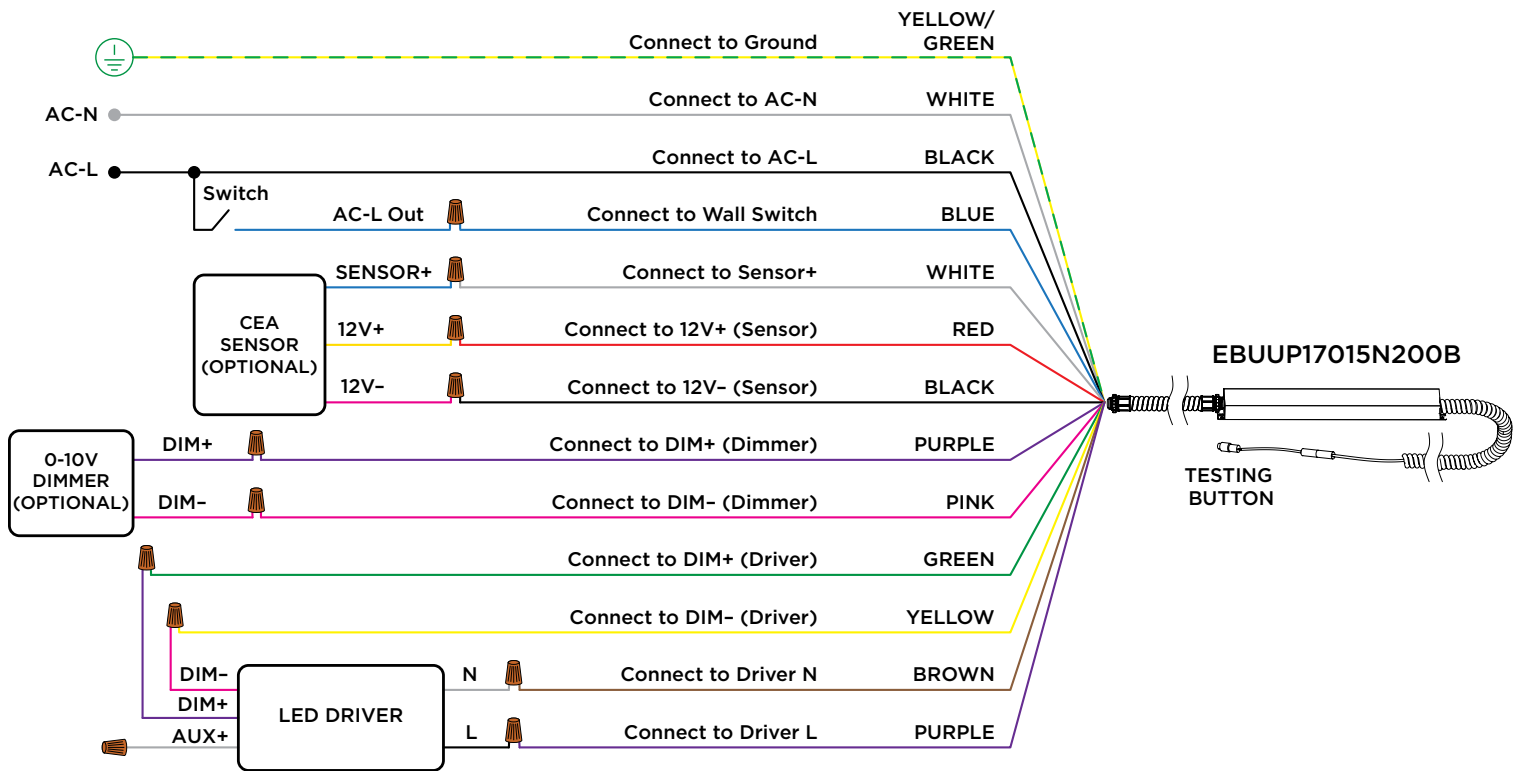
MaxLite® 4ft LSVW series Vapor Tight Highbay (Wattage and CCT select)



Wiring Diagram – Field Installable Battery Back-up



Risk of fire or electric shock, installation requires knowledge of the lighting luminaires electrical systems. If not qualified, do not attempt installation and contact a qualified electrician.



MaxLite® 4ft LSVW series Vapor Tight Highbay (Wattage and CCT select)

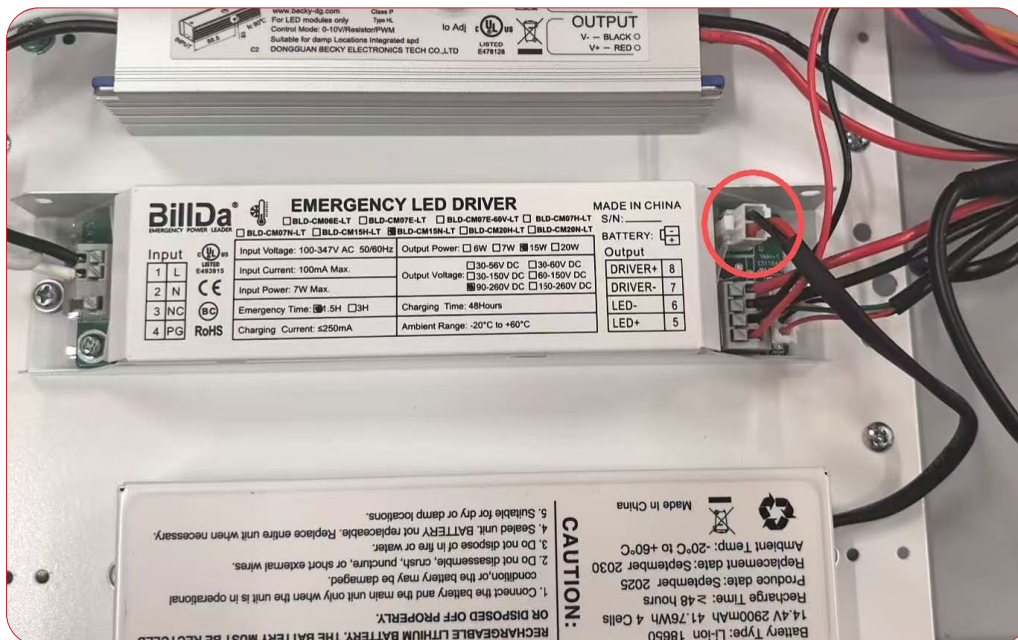
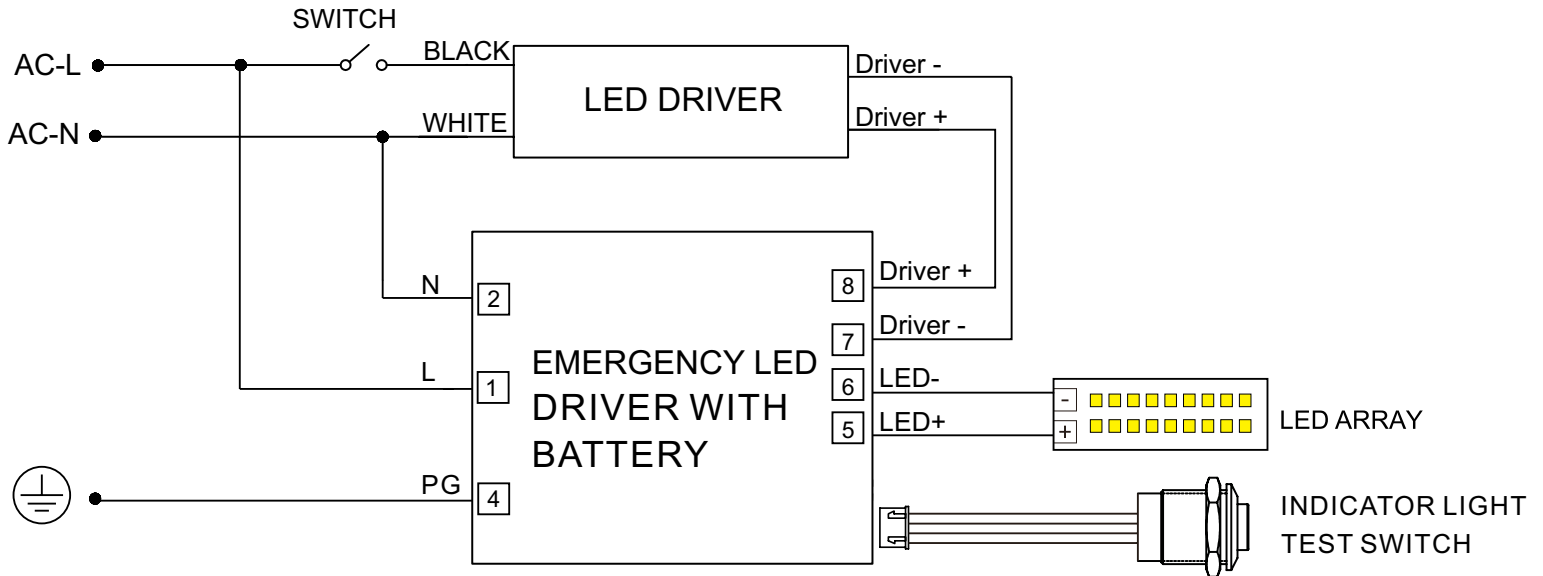


Installation Instructions – Battery Back-up (EM Model Only)

⚠ WARNING

Risk of fire or electric shock, installation requires knowledge of the lighting luminaires electrical systems. If not qualified, do not attempt installation and contact a qualified electrician.

1. Follow the wiring diagram below to complete the installation.



Note:

Before powering fixture connect BBU Battery to BBU Driver

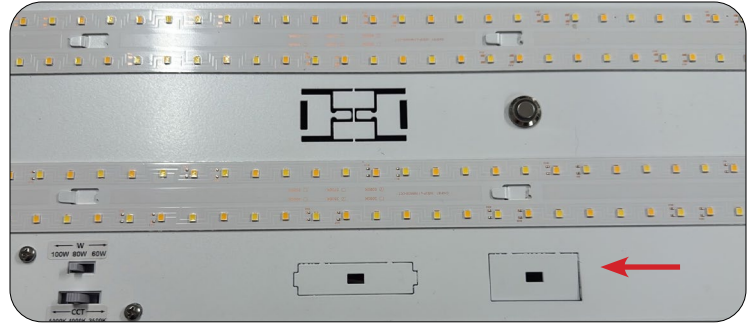
**MaxLite® 4ft LSVW series Vapor Tight Highbay
(Wattage and CCT select)**



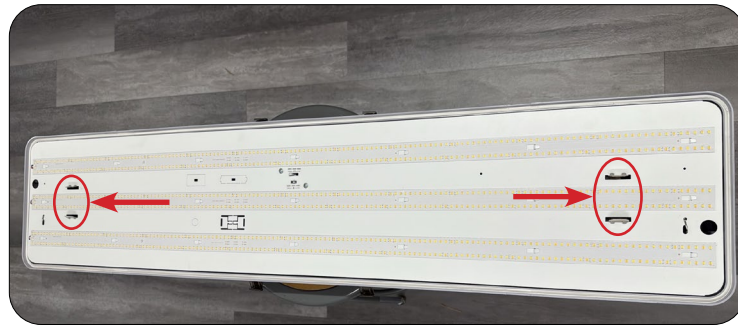
Installation Instructions – NN-MGT/CN-MGMST



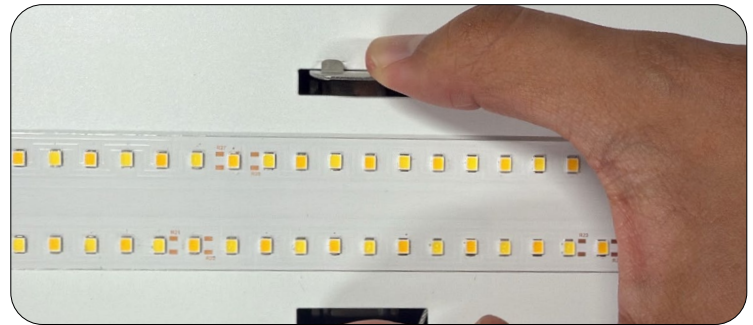
1. Lay fixture down with lens facing up and unlatch the clips around the fixture to remove the lens.



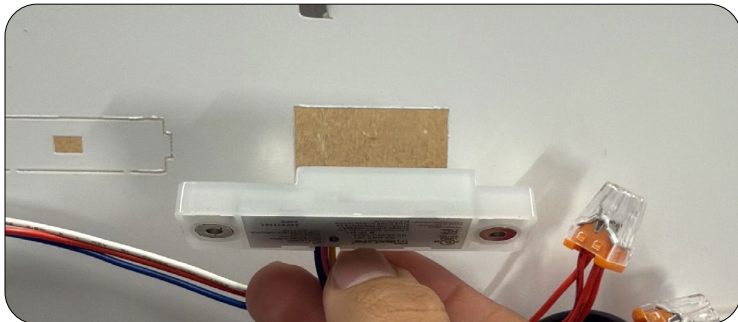
2. Locate and remove the sensor knockout.



3. Find reflector clips on both sides of the fixture



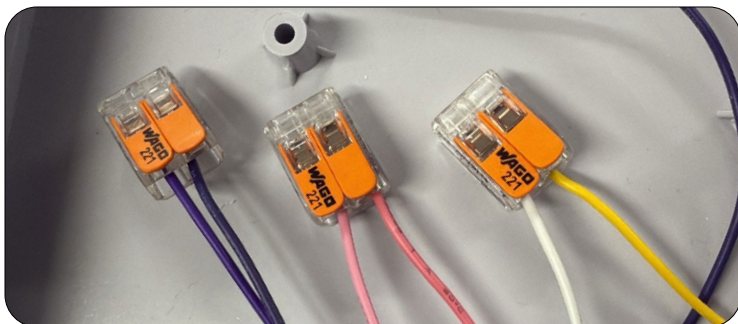
4. Detach LED from the housing by pressing in on the holding clips on both sides.



5. Locate the knock hole and insert sensor into the slot.



6. Ensure sensor is secured with attached magnets.



7. Wire the sensor to the driver by connecting DIM – (Pink) DIM + (Purple) and Aux + (Yellow & White).



8. Close up the fixture, verify sensor is secured, then proceed to sensor commissioning.

MaxLite® 4ft LSVW series Vapor Tight Highbay (Wattage and CCT select)



Warranty Information

MaxLite Inc. warrants its products for a minimum period of **FIVE (5)** years from the date of original purchase from MaxLite or its authorized distributor/dealer (the "Warranty Period"), as follows: If a Product fails to operate during the Warranty Period as a result of defects in materials or workmanship, MaxLite will, at its option, repair it, replace it with the same or like Product.

Please refer to Maxlite's website (at <http://maxlite.com/resources/warranties>) for the complete terms and conditions of our warranty.

Limitation of Liability

THE FOREGOING WARRANTY IS EXCLUSIVE, AND IS THE SOLE REMEDY FOR ANY AND ALL CLAIMS, WHETHER IN CONTRACT, IN TORT OR OTHERWISE ARISING FROM THE FAILURE OF PRODUCT AND IS IN LIEU OF ALL OTHER WARRANTIES, EXPRESS OR IMPLIED, INCLUDING ALL WARRANTIES OF MERCHANTABILITY OR FITNESS FOR A PARTICULAR PURPOSE, WHICH WARRANTIES ARE HEREBY EXPRESSLY DISCLAIMED TO THE EXTENT PERMITTED BY LAW AND, IN ANY EVENT, SHALL BE LIMITED TO THE WARRANTY PERIOD SPECIFIED ABOVE. THE LIABILITY OF MAXLITE SHALL BE LIMITED TO THE TERMS OF THE EXPRESS WARRANTY SET FORTH HEREIN. IN NO EVENT WILL MAXLITE BE LIABLE FOR ANY SPECIAL, INCIDENTAL OR CONSEQUENTIAL DAMAGES INCLUDING, WITHOUT LIMITATION, DAMAGES RESULTING FROM LOSS OF USE, PROFITS, BUSINESS OR GOODWILL, LABOR COSTS, REMOVAL OR INSTALLATION COSTS, DECREASE IN THE LIGHT OUTPUT OF THE LAMP, AND/OR DETERIORATION IN THE LAMP'S PERFORMANCE, WHETHER OR NOT MAXLITE HAS BEEN ADVISED OF THE POSSIBILITY THEREOF. UNDER NO CIRCUMSTANCES SHALL MAXLITE'S ENTIRE LIABILITY FOR A DEFECTIVE PRODUCT EXCEED THE PURCHASE PRICE OF THAT PRODUCT. WARRANTY SERVICES PROVIDED UNDER THESE TERMS AND CONDITIONS DO NOT ENSURE THE UNINTERRUPTED OPERATION OF PRODUCTS; MAXLITE SHALL NOT BE LIABLE FOR DAMAGES CAUSED BY ANY DELAYS INVOLVING WARRANTY SERVICE.

This Limited Warranty gives you specific legal rights and you may also have other rights that may vary from state to state. Because some states or jurisdictions do not allow the exclusion or limitation of liability for consequential or incidental damages, this limitation may not apply to you.