



# LED ROUND WAFER RECESSED MINI PANEL

► **DESIGN** - LED ROUND WAFER RECESSED MINI PANEL with a classic, low-profile design is an ideal solution for low ceilings. This fixture has a J-box, plug & twist connector, spring-loaded clips, and requires only 2" of ceiling space, making the installation process quick and easy. The acrylic lens with a 110° beam angle and CRI90+ grants you even light. It is designed to operate on 120V circuits.

► **COLOR SELECTABLE** - You can choose either a 2700K soft white, 3000K warm white, 3500K neutral white, 4000K cool white, or 5000K daylight color temperature.

► **DIMMING** - Smooth triac dimming capabilities ranging from 10% to 100% with modern LED dimmers allow you to control the look and feel of your space.

► **INSTALLATION** - This fixture is IC rated so there is no can or any other housing required. It is also Wet Locations rated, making it perfect for kitchen, bathroom or any other common areas.

► **ADVANTAGES** - With a lifespan of 54,000 hours, these fixtures are made to last decades under normal operation! ASD provides a 5-year limited warranty along with UL and Energy Star certifications to guarantee top quality products and safety!



## PRODUCT PRESENTATION:

| Model                                 | Size    | Power | Voltage | Dimming | Lumens | CCT                              | Finish | Dimensions                 | Pre-installed        | Certification            |
|---------------------------------------|---------|-------|---------|---------|--------|----------------------------------|--------|----------------------------|----------------------|--------------------------|
| <b>JBR ROUND</b>                      |         |       |         |         |        |                                  |        |                            |                      |                          |
| ASD-JBR-3D6AC-WH                      | 3 inch  | 6W    | 120V    | TRIAC   | 538lm  | 5CCT (2700/3000/3500/4000/5000K) | White  | 3 1/4" x 3 1/4" x 5/8"     | -                    | UL(E473854),Energy Star  |
| ASD-JBR-3D6AC-WH-12PACK               | 3 inch  | 6W    | 120V    | TRIAC   | 538lm  | 5CCT (2700/3000/3500/4000/5000K) | White  | 3 1/4" x 3 1/4" x 5/8"     | -                    | UL(E473854),Energy Star  |
| ASD-JBR-3D6AC-NK                      | 3 inch  | 6W    | 120V    | TRIAC   | 538lm  | 5CCT (2700/3000/3500/4000/5000K) | Nickel | 3 1/4" x 3 1/4" x 5/8"     | -                    | UL(E473854),Energy Star  |
| ASD-JBR-3D6AC-BR                      | 3 inch  | 6W    | 120V    | TRIAC   | 538lm  | 5CCT (2700/3000/3500/4000/5000K) | Bronze | 3 1/4" x 3 1/4" x 5/8"     | -                    | UL(E473854),Energy Star  |
| ASD-JBR-3D6AC-BK                      | 3 inch  | 6W    | 120V    | TRIAC   | 538lm  | 5CCT (2700/3000/3500/4000/5000K) | Black  | 3 1/4" x 3 1/4" x 5/8"     | -                    | UL(E473854),Energy Star  |
| ASD-JBR-3D6AC-BK-6PACK                | 3 inch  | 6W    | 120V    | TRIAC   | 538lm  | 5CCT (2700/3000/3500/4000/5000K) | Black  | 3 1/4" x 3 1/4" x 5/8"     | -                    | UL(E473854),Energy Star  |
| ASD-JBR-3D6AC-BK-12PACK               | 3 inch  | 6W    | 120V    | TRIAC   | 538lm  | 5CCT (2700/3000/3500/4000/5000K) | Black  | 3 1/4" x 3 1/4" x 5/8"     | -                    | UL(E473854),Energy Star  |
| ASD-JBR-4D12AC-WH                     | 4 inch  | 12W   | 120V    | TRIAC   | 893lm  | 5CCT (2700/3000/3500/4000/5000K) | White  | 4 11/16" x 4 11/16" x 5/8" | -                    | UL(E473854)              |
| ASD-JBR-4D12AC-WH-6PACK               | 4 inch  | 12W   | 120V    | TRIAC   | 893lm  | 5CCT (2700/3000/3500/4000/5000K) | White  | 4 11/16" x 4 11/16" x 5/8" | -                    | UL(E473854)              |
| ASD-JBR-4D12AC-WH-12PACK              | 4 inch  | 12W   | 120V    | TRIAC   | 893lm  | 5CCT (2700/3000/3500/4000/5000K) | White  | 4 11/16" x 4 11/16" x 5/8" | -                    | UL(E473854)              |
| ASD-JBR-4D12AC-NK-6PACK               | 4 inch  | 12W   | 120V    | TRIAC   | 893lm  | 5CCT (2700/3000/3500/4000/5000K) | Nickel | 4 11/16" x 4 11/16" x 5/8" | -                    | UL(E473854)              |
| ASD-JBR-4D12AC-BR                     | 4 inch  | 12W   | 120V    | TRIAC   | 893lm  | 5CCT (2700/3000/3500/4000/5000K) | Bronze | 4 11/16" x 4 11/16" x 5/8" | -                    | UL(E473854)              |
| ASD-JBR-4D12AC-BK                     | 4 inch  | 12W   | 120V    | TRIAC   | 893lm  | 5CCT (2700/3000/3500/4000/5000K) | Black  | 4 11/16" x 4 11/16" x 5/8" | -                    | UL(E473854)              |
| ASD-JBR-4D12AC-BK-6PACK               | 4 inch  | 12W   | 120V    | TRIAC   | 893lm  | 5CCT (2700/3000/3500/4000/5000K) | Black  | 4 11/16" x 4 11/16" x 5/8" | -                    | UL(E473854)              |
| ASD-JBR-4D12AC-BK-12PACK              | 4 inch  | 12W   | 120V    | TRIAC   | 893lm  | 5CCT (2700/3000/3500/4000/5000K) | Black  | 4 11/16" x 4 11/16" x 5/8" | -                    | UL(E473854)              |
| ASD-JBR-6D15AC-WH                     | 6 inch  | 15W   | 120V    | TRIAC   | 1378lm | 5CCT (2700/3000/3500/4000/5000K) | White  | 6 5/8" x 6 5/8" x 5/8"     | -                    | UL(E473854),Energy Star  |
| ASD-JBR-6D15AC-WH-6PACK               | 6 inch  | 15W   | 120V    | TRIAC   | 1378lm | 5CCT (2700/3000/3500/4000/5000K) | White  | 6 5/8" x 6 5/8" x 5/8"     | -                    | UL(E473854),Energy Star  |
| ASD-JBR-6D15AC-WH-12PACK              | 6 inch  | 15W   | 120V    | TRIAC   | 1378lm | 5CCT (2700/3000/3500/4000/5000K) | White  | 6 5/8" x 6 5/8" x 5/8"     | -                    | UL(E473854),Energy Star  |
| ASD-JBR-6D15AC-NK-6PACK               | 6 inch  | 15W   | 120V    | TRIAC   | 1378lm | 5CCT (2700/3000/3500/4000/5000K) | Nickel | 6 5/8" x 6 5/8" x 5/8"     | -                    | UL(E473854),Energy Star  |
| ASD-JBR-6D15AC-BR                     | 6 inch  | 15W   | 120V    | TRIAC   | 1378lm | 5CCT (2700/3000/3500/4000/5000K) | Bronze | 6 5/8" x 6 5/8" x 5/8"     | -                    | UL(E473854),Energy Star  |
| ASD-JBR-6D15AC-BK                     | 6 inch  | 15W   | 120V    | TRIAC   | 1378lm | 5CCT (2700/3000/3500/4000/5000K) | Black  | 6 5/8" x 6 5/8" x 5/8"     | -                    | UL(E473854),Energy Star  |
| ASD-JBR-6D15AC-BK-6PACK               | 6 inch  | 15W   | 120V    | TRIAC   | 1378lm | 5CCT (2700/3000/3500/4000/5000K) | Black  | 6 5/8" x 6 5/8" x 5/8"     | -                    | UL(E473854),Energy Star  |
| ASD-JBR-6D15AC-BK-12PACK              | 6 inch  | 15W   | 120V    | TRIAC   | 1378lm | 5CCT (2700/3000/3500/4000/5000K) | Black  | 6 5/8" x 6 5/8" x 5/8"     | -                    | UL(E473854),Energy Star  |
| ASD-JBR-8D20AC-WH                     | 8 inch  | 20W   | 120V    | TRIAC   | 1746lm | 5CCT (2700/3000/3500/4000/5000K) | White  | 8 11/16" x 8 11/16" x 5/8" | -                    | UL(E473854),Energy Star  |
| ASD-JBR-8D20AC-BK                     | 8 inch  | 20W   | 120V    | TRIAC   | 1746lm | 5CCT (2700/3000/3500/4000/5000K) | Black  | 8 11/16" x 8 11/16" x 5/8" | -                    | UL(E473854),Energy Star  |
| ASD-JBR-12D24AC-WH                    | 12 inch | 24W   | 120V    | TRIAC   | 2169lm | 5CCT (2700/3000/3500/4000/5000K) | White  | 11 5/8" x 11 5/8" x 5/8"   | -                    | UL(E473854)              |
| ASD-JBR-12D24AC-BK                    | 12 inch | 24W   | 120V    | TRIAC   | 2169lm | 5CCT (2700/3000/3500/4000/5000K) | Black  | 11 5/8" x 11 5/8" x 5/8"   | -                    | UL(E473854)              |
| <b>JBR ROUND</b>                      |         |       |         |         |        |                                  |        |                            |                      |                          |
| ASD-JBR-4D9WH-6P                      | 4 inch  | 9W    | 120V    | TRIAC   | 831lm  | 5CCT (2700/3000/3500/4000/5000K) | White  | 4 15/16" x 4 15/16" x 7/8" | -                    | ETL(5029309),Energy Star |
| ASD-JBR-4D9WH-12P                     | 4 inch  | 9W    | 120V    | TRIAC   | 831lm  | 5CCT (2700/3000/3500/4000/5000K) | White  | 4 15/16" x 4 15/16" x 7/8" | -                    | ETL(5029309),Energy Star |
| ASD-JBR-4D9BK-6P                      | 4 inch  | 9W    | 120V    | TRIAC   | 831lm  | 5CCT (2700/3000/3500/4000/5000K) | Black  | 4 15/16" x 4 15/16" x 7/8" | -                    | ETL(5029309),Energy Star |
| ASD-JBR-6D12WH-6P                     | 6 inch  | 12W   | 120V    | TRIAC   | 1040lm | 5CCT (2700/3000/3500/4000/5000K) | White  | 6 7/8" x 6 7/8" x 15/16"   | -                    | ETL(5029309),Energy Star |
| ASD-JBR-6D12WH-12P                    | 6 inch  | 12W   | 120V    | TRIAC   | 1040lm | 5CCT (2700/3000/3500/4000/5000K) | White  | 6 7/8" x 6 7/8" x 15/16"   | -                    | ETL(5029309),Energy Star |
| ASD-JBR-6D12BK-6P                     | 6 inch  | 12W   | 120V    | TRIAC   | 1040lm | 5CCT (2700/3000/3500/4000/5000K) | Black  | 6 7/8" x 6 7/8" x 15/16"   | -                    | ETL(5029309),Energy Star |
| ASD-JBR-6D12BK-12P                    | 6 inch  | 12W   | 120V    | TRIAC   | 1040lm | 5CCT (2700/3000/3500/4000/5000K) | Black  | 6 7/8" x 6 7/8" x 15/16"   | -                    | ETL(5029309),Energy Star |
| <b>JBR ROUND WITH BATTERY BACK-UP</b> |         |       |         |         |        |                                  |        |                            |                      |                          |
| ASD-JBR-6D15WH-EM                     | 6 inch  | 15W   | 120V    | TRIAC   | 1287lm | 5CCT (2700/3000/3500/4000/5000K) | White  | 6 5/8" x 6 5/8" x 3/4"     | 4.2W battery back-up | ETL(4008281)             |

For most up-to-date spec sheets please refer to [asd-lighting.com](http://asd-lighting.com)



# LED ROUND WAFER RECESSED MINI PANEL

## TECHNICAL PARAMETERS:

| Model                                 | Work environment | Operating temperature         | Power factor | Surge protection | Housing  | Lens | CRI |
|---------------------------------------|------------------|-------------------------------|--------------|------------------|----------|------|-----|
| <b>JBR ROUND</b>                      |                  |                               |              |                  |          |      |     |
| ASD-JBR-3D6AC-WH                      | Wet location     | -4°F to 104°F (-20°C to 40°C) | >0,9         | 2kV              | Aluminum | PC   | >90 |
| ASD-JBR-3D6AC-WH-12PACK               | Wet location     | -4°F to 104°F (-20°C to 40°C) | >0,9         | 2kV              | Aluminum | PC   | >90 |
| ASD-JBR-3D6AC-NK                      | Wet location     | -4°F to 104°F (-20°C to 40°C) | >0,9         | 2kV              | Aluminum | PC   | >90 |
| ASD-JBR-3D6AC-BR                      | Wet location     | -4°F to 104°F (-20°C to 40°C) | >0,9         | 2kV              | Aluminum | PC   | >90 |
| ASD-JBR-3D6AC-BK                      | Wet location     | -4°F to 104°F (-20°C to 40°C) | >0,9         | 2kV              | Aluminum | PC   | >90 |
| ASD-JBR-3D6AC-BK-6PACK                | Wet location     | -4°F to 104°F (-20°C to 40°C) | >0,9         | 2kV              | Aluminum | PC   | >90 |
| ASD-JBR-3D6AC-BK-12PACK               | Wet location     | -4°F to 104°F (-20°C to 40°C) | >0,9         | 2kV              | Aluminum | PC   | >90 |
| ASD-JBR-4D12AC-WH                     | Wet location     | -4°F to 104°F (-20°C to 40°C) | >0,9         | 2kV              | Aluminum | PC   | >90 |
| ASD-JBR-4D12AC-WH-6PACK               | Wet location     | -4°F to 104°F (-20°C to 40°C) | >0,9         | 2kV              | Aluminum | PC   | >90 |
| ASD-JBR-4D12AC-WH-12PACK              | Wet location     | -4°F to 104°F (-20°C to 40°C) | >0,9         | 2kV              | Aluminum | PC   | >90 |
| ASD-JBR-4D12AC-NK-6PACK               | Wet location     | -4°F to 104°F (-20°C to 40°C) | >0,9         | 2kV              | Aluminum | PC   | >90 |
| ASD-JBR-4D12AC-BR                     | Wet location     | -4°F to 104°F (-20°C to 40°C) | >0,9         | 2kV              | Aluminum | PC   | >90 |
| ASD-JBR-4D12AC-BK                     | Wet location     | -4°F to 104°F (-20°C to 40°C) | >0,9         | 2kV              | Aluminum | PC   | >90 |
| ASD-JBR-4D12AC-BK-6PACK               | Wet location     | -4°F to 104°F (-20°C to 40°C) | >0,9         | 2kV              | Aluminum | PC   | >90 |
| ASD-JBR-4D12AC-BK-12PACK              | Wet location     | -4°F to 104°F (-20°C to 40°C) | >0,9         | 2kV              | Aluminum | PC   | >90 |
| ASD-JBR-6D15AC-WH                     | Wet location     | -4°F to 104°F (-20°C to 40°C) | >0,9         | 2kV              | Aluminum | PC   | >90 |
| ASD-JBR-6D15AC-WH-6PACK               | Wet location     | -4°F to 104°F (-20°C to 40°C) | >0,9         | 2kV              | Aluminum | PC   | >90 |
| ASD-JBR-6D15AC-WH-12PACK              | Wet location     | -4°F to 104°F (-20°C to 40°C) | >0,9         | 2kV              | Aluminum | PC   | >90 |
| ASD-JBR-6D15AC-NK-6PACK               | Wet location     | -4°F to 104°F (-20°C to 40°C) | >0,9         | 2kV              | Aluminum | PC   | >90 |
| ASD-JBR-6D15AC-BR                     | Wet location     | -4°F to 104°F (-20°C to 40°C) | >0,9         | 2kV              | Aluminum | PC   | >90 |
| ASD-JBR-6D15AC-BZ-6PACK               | Wet location     | -4°F to 104°F (-20°C to 40°C) | >0,9         | 2kV              | Aluminum | PC   | >90 |
| ASD-JBR-6D15AC-BK                     | Wet location     | -4°F to 104°F (-20°C to 40°C) | >0,9         | 2kV              | Aluminum | PC   | >90 |
| ASD-JBR-6D15AC-BK-6PACK               | Wet location     | -4°F to 104°F (-20°C to 40°C) | >0,9         | 2kV              | Aluminum | PC   | >90 |
| ASD-JBR-6D15AC-BK-12PACK              | Wet location     | -4°F to 104°F (-20°C to 40°C) | >0,9         | 2kV              | Aluminum | PC   | >90 |
| ASD-JBR-8D20AC-WH                     | Wet location     | -4°F to 104°F (-20°C to 40°C) | >0,9         | 2kV              | Aluminum | PC   | >90 |
| ASD-JBR-8D20AC-BK                     | Wet location     | -4°F to 104°F (-20°C to 40°C) | >0,9         | 2kV              | Aluminum | PC   | >90 |
| ASD-JBR-12D24AC-WH                    | Wet location     | -4°F to 104°F (-20°C to 40°C) | >0,9         | 2kV              | Aluminum | PC   | >90 |
| ASD-JBR-12D24AC-BK                    | Wet location     | -4°F to 104°F (-20°C to 40°C) | >0,9         | 2kV              | Aluminum | PC   | >90 |
| <b>JBR ROUND</b>                      |                  |                               |              |                  |          |      |     |
| ASD-JBR-4D9WH-6P                      | Wet location     | -4°F to 113°F (-20°C to 45°C) | >0,9         | 2kV              | Aluminum | PC   | >90 |
| ASD-JBR-4D9WH-12P                     | Wet location     | -4°F to 113°F (-20°C to 45°C) | >0,9         | 2kV              | Aluminum | PC   | >90 |
| ASD-JBR-4D9BK-6P                      | Wet location     | -4°F to 113°F (-20°C to 45°C) | >0,9         | 2kV              | Aluminum | PC   | >90 |
| ASD-JBR-6D12WH-6P                     | Wet location     | -4°F to 113°F (-20°C to 45°C) | >0,9         | 2kV              | Aluminum | PC   | >90 |
| ASD-JBR-6D12WH-12P                    | Wet location     | -4°F to 113°F (-20°C to 45°C) | >0,9         | 2kV              | Aluminum | PC   | >90 |
| ASD-JBR-6D12BK-6P                     | Wet location     | -4°F to 113°F (-20°C to 45°C) | >0,9         | 2kV              | Aluminum | PC   | >90 |
| ASD-JBR-6D12BK-12P                    | Wet location     | -4°F to 113°F (-20°C to 45°C) | >0,9         | 2kV              | Aluminum | PC   | >90 |
| <b>JBR ROUND WITH BATTERY BACK-UP</b> |                  |                               |              |                  |          |      |     |
| ASD-JBR-6D15WH-EM                     | Wet location     | 41°F to 104°F (5°C to 40°C)   | >0,9         | 2kV              | Aluminum | PC   | >90 |

## DIMMING COMPATIBLE CONTROLS:

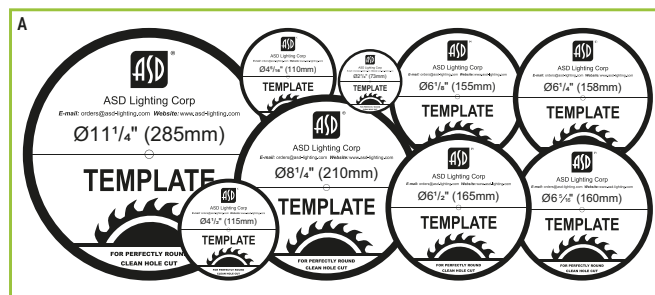
| Brand  | Lutron         |            | Leviton |
|--------|----------------|------------|---------|
| Models | CTCL-153PDH-WH | S-600PR-WH | DB33K1  |
|        | DVW-603PGH-WH  | CTCL-153P  | 1A2305  |
|        | MIR-600THW-WH  | DV-600P    | 1F4205  |
|        | MACL-153M-WH   | NT-1000    | 6633-P  |
|        | CT-603PGH-WH   | S-603P     | VP106   |
|        | DVCL-153P-WH   | S-600P     | IPL06   |
|        | SLV-600P-WH    | 4X603      | 6683    |
|        |                |            | 6674    |
|        |                |            | 6672    |

## DIMENSIONS JUNCTION BOX:

| Fixture          | Junction box                                      |
|------------------|---|
| 3 inch           | 3-3/4" x 2-5/16" x 1-1/4" (95mm x 59mm x 32mm)    |
| 4, 6, 8, 12 inch | 4-8/16" x 2-11/16" x 1-3/8" (115mm x 68mm x 35mm) |

## PACKAGE CONTENTS:

| Description                            | Quantity                                |
|--|---|
| LED Round Wafer Recessed Mini Panel    | 1 (6 for 6PACK, 6P; 12 for 12PACK, 12P) |
| Template for 3, 4, 6, 8 or 12 inch (A) | 1                                       |
| Box                                    | 1                                       |

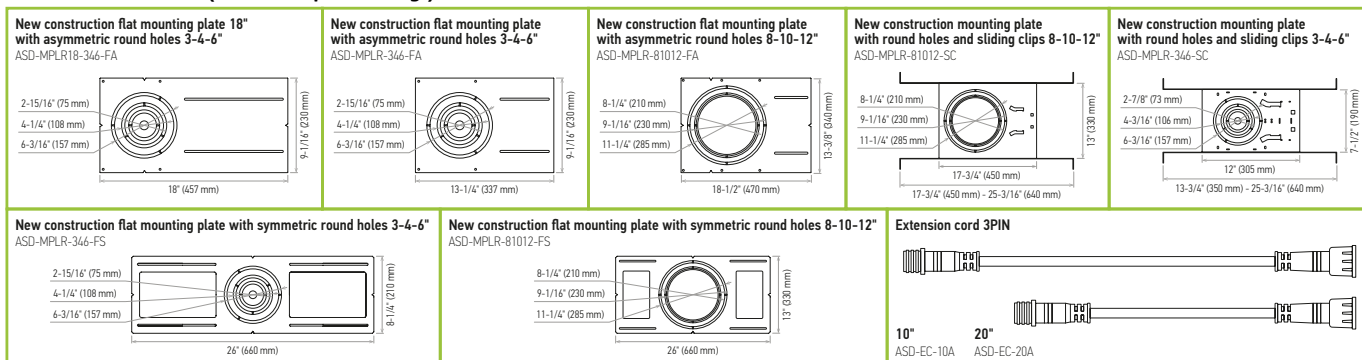


For most up-to-date spec sheets please refer to [asd-lighting.com](http://asd-lighting.com)



# LED ROUND WAFER RECESSED MINI PANEL

## ACCESSORIES (sold separately):



## ACCESSORY COMPATIBILITY LIST:

| Accessories |     | Model   |   |   |  |   |   |   |   |
|-------------|-----|---|---|---|--|---|---|---|---|
|             |     | New construction flat mounting plate with asymmetric round holes 3-4-6" ASD-MPLR-346-FA | New construction flat mounting plate 18" with asymmetric round holes 3-4-6" ASD-MPLR18-346-FA | New construction flat mounting plate with asymmetric round holes 8-10-12" ASD-MPLR-81012-FA | New construction flat mounting plate with symmetric round holes 3-4-6" ASD-MPLR-346-FS | New construction flat mounting plate with asymmetric round holes 8-10-12" ASD-MPLR-81012-FS | New construction mounting plate with round holes and sliding clips 3-4-6" ASD-MPLR-346-SC | New construction mounting plate with round holes and sliding clips 8-10-12" ASD-MPLR-81012-SC | Extension cord 3PIN ASD-EC-10A ASD-EC-20A |
| ASD-JBR     | 3"  | •   | •   |   | •  |   | •   | •   | •   |
|             | 4"  | •   | •   |   | •  |   | •   | •   | •   |
|             | 6"  | •   | •   |   | •  |   | •   | •   | •   |
|             | 8"  |   |   | •   |  | •   |   | •   | •   |
|             | 12" |   |   | •   |  | •   |   | •   | •   |

## INSTALLATION GUIDE

### IMPORTANT SAFETY INFORMATION:

Please read all the instructions below before installation!

- ▶ Make sure that the supply voltage corresponds to the rated product voltage.
- ▶ The product must be installed by a qualified electrician in accordance with the National Electrical Code and corresponding local codes.
- ▶ If the product is damaged, do not use it.

### ⚠ WARNING

**Risk of personal injury** – read and follow all warnings and installation instructions. Keep or give to the owner for future reference.

**Risk of cuts:** Wear gloves to prevent cuts or abrasions when removing from carton, handling, installing, and maintaining this product.

**Risk of electric shock:** This product must be installed in accordance with the applicable installation code by a person familiar with the construction and operation of the product and the hazards involved.

**Risk of Fire:** Minimum 194°F supply conductors. Consult a qualified electrician to ensure correct branch circuit conductor.

ASD® assumes no responsibility for claims arising out of improper or careless installation or handling of this product.

## BUILT-IN BATTERY BACK-UP INFORMATION

| Specifications               |                         |
|------------------------------|-------------------------|
| Input voltage                | AC120V, 50/60Hz         |
| AC input current             | 200mA max               |
| AC input power rating        | 21W max                 |
| Output current (voltage)     | ≤390mA                  |
| Output power                 | 4.2W max                |
| Lumens                       | 345 lm                  |
| Emergency time               | 90 minutes              |
| Indicator light              | Illuminated test switch |
| Battery                      | 3.7V 4500mAh            |
| Battery charging current     | 290mA                   |
| Charging time                | 24 hours                |
| Temperature rating (ambient) | 5°C to 50°C             |
| Warranty                     | Five years warranty     |

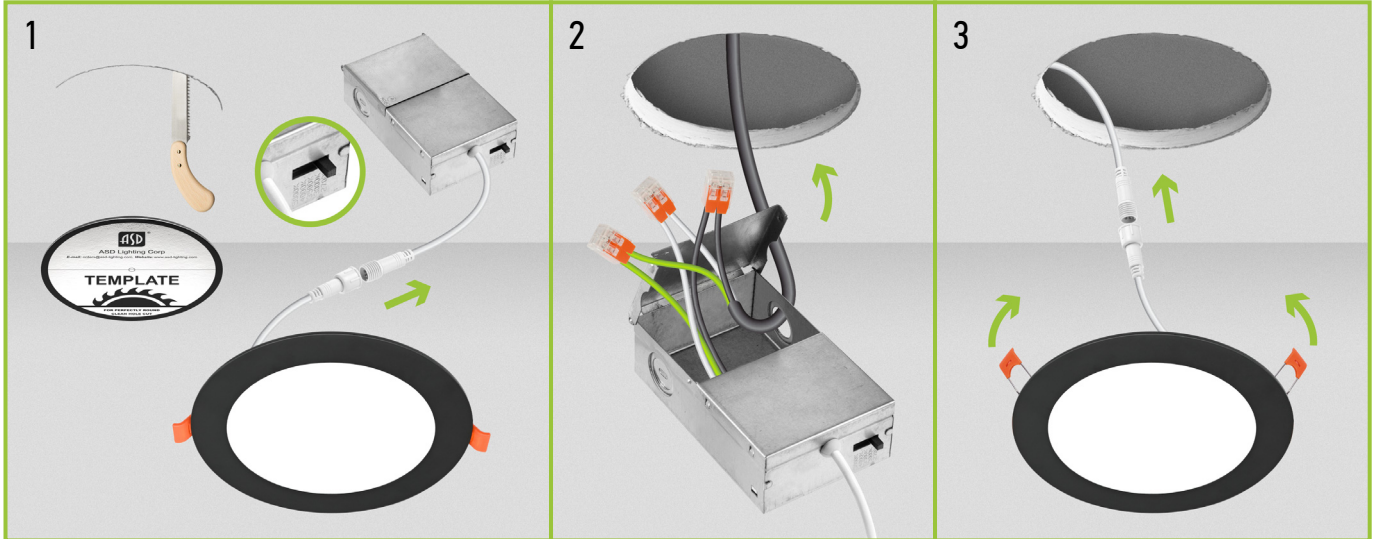
For most up-to-date spec sheets please refer to [asd-lighting.com](http://asd-lighting.com)



# LED ROUND WAFER RECESSED MINI PANEL

## INSTALLATION STEPS:

1. Use template to cut an appropriate sized hole. Disconnect the fixture from the junction box. Choose needed color temperature by adjusting the switch. Close the junction box.
2. Open junction box. Connect the wires: Black to Black, White to White, Copper to Green. Secure the connection with quick connector.
3. Insert the junction box into the cut hole, leaving the connection cable outside. Connect the fixture to the Junction box inserting the cable and securing it with a cap. Push the spring loaded clips upwards and insert the fixture base into the mounting hole. Release the clips, so the fixture fits securely.

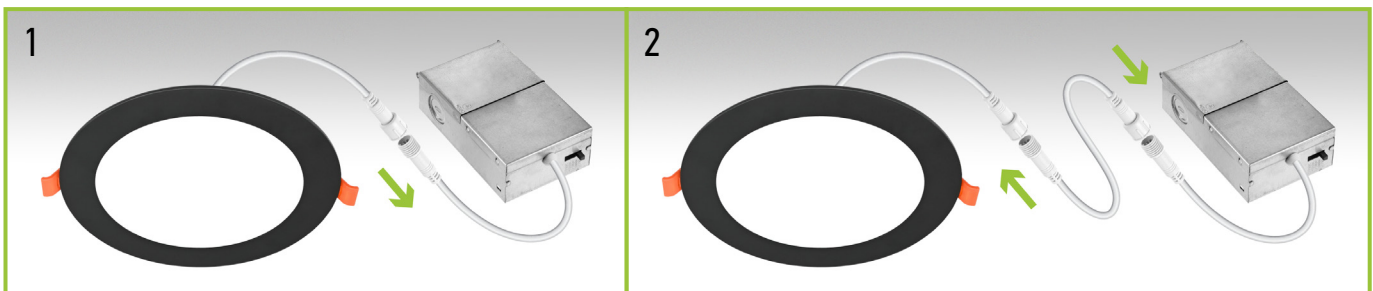


\* The fixture is suitable for ceiling thickness less than 0.5 inch.

## EXTENSION CORD INSTALLATION:

ASD-EC-10A ASD-EC-20A sold separately

1. Disconnect the LED Mini Panel cable from the Junction box cable.
2. Connect one end of the Extension Cord to the LED Mini Panel cable, and the other end of the Extension Cord to the Junction box cable.



For most up-to-date spec sheets please refer to [asd-lighting.com](http://asd-lighting.com)

ASD LIGHTING CORP

E-mail: [orders@asd-lighting.com](mailto:orders@asd-lighting.com) | Web site: [www.asd-lighting.com](http://www.asd-lighting.com)



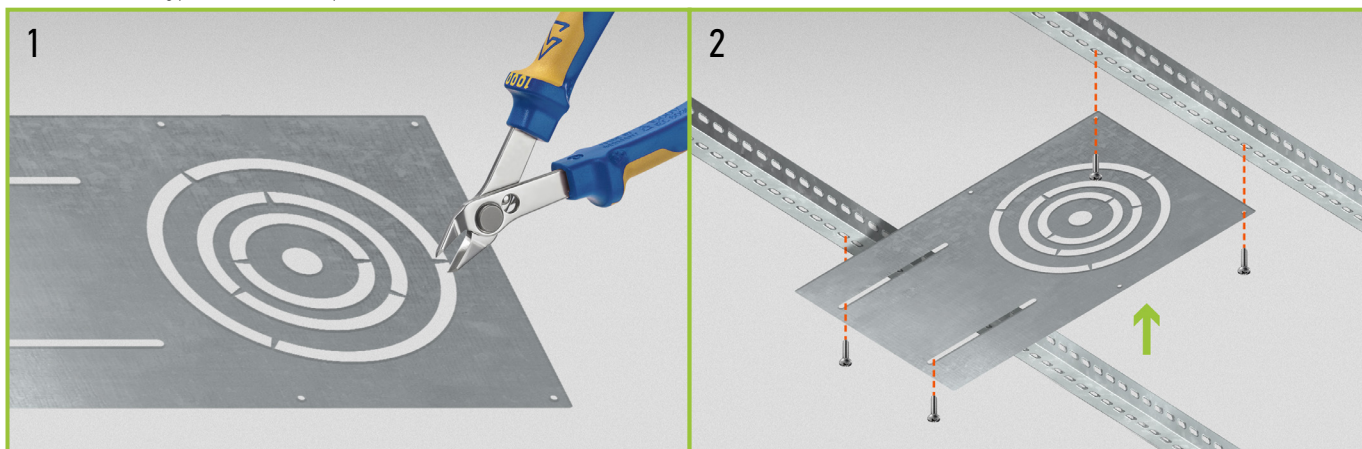


# LED ROUND WAFER RECESSED MINI PANEL

## MOUNTING PLATE INSTALLATION:

- ASD-MPLR-346-FA ASD-MPLR18-346-FA ASD-MPLR-81012-FA  
ASD-MPLR-346-FS ASD-MPLR-81012-FS ASD-MPLR-81012-SC ASD-MPLR-346-SC sold separately

1. Remove the metal ring from the mounting plate according to the size of fixture.
2. Place the mounting plate and secure its position with screws on the beams.



## ORDERING INFORMATION

| Model                    | Product dimensions         | Weight           | Pcs. (pack) per carton<br>JBR ROUND | Carton size          | Carton weight | UPC         | GTIN 14        |
|--------------------------|----------------------------|------------------|-------------------------------------|----------------------|---------------|-------------|----------------|
| ASD-JBR-3D6AC-WH         | 3 1/4" x 3 1/4" x 5/8"     | 0.5 lbs (0.2 kg) | 6                                   | 9.8" x 9.5" x 4.1"   | 4.0 lbs       | 81005073904 | 10810050739044 |
| ASD-JBR-3D6AC-WH-12PACK  | 3 1/4" x 3 1/4" x 5/8"     | 4.8 lbs (2.2 kg) | 12 (1)                              | 15.4" x 9.5" x 3.9"  | 5.7 lbs       | 81012811644 | -              |
| ASD-JBR-3D6AC-NK         | 3 1/4" x 3 1/4" x 5/8"     | 0.5 lbs (0.2 kg) | 6                                   | 9.8" x 9.5" x 4.1"   | 4.0 lbs       | 81005073906 | 10810050739068 |
| ASD-JBR-3D6AC-BR         | 3 1/4" x 3 1/4" x 5/8"     | 0.5 lbs (0.2 kg) | 6                                   | 9.8" x 9.5" x 4.1"   | 4.0 lbs       | 81012811507 | 10810128115077 |
| ASD-JBR-3D6AC-BK         | 3 1/4" x 3 1/4" x 5/8"     | 0.5 lbs (0.2 kg) | 6                                   | 9.8" x 9.5" x 4.1"   | 4.0 lbs       | 81005073905 | 10810050739051 |
| ASD-JBR-3D6AC-BK-6PACK   | 3 1/4" x 3 1/4" x 5/8"     | 2.2 lbs (1 kg)   | 12 (2)                              | 17.1" x 10" x 4.5"   | 6.2 lbs       | 81005073745 | 10810050737453 |
| ASD-JBR-3D6AC-BK-12PACK  | 3 1/4" x 3 1/4" x 5/8"     | 4.8 lbs (2.2kg)  | 12 (1)                              | 15.4" x 9.5" x 3.9"  | 5.7 lbs       | 81012811643 | -              |
| ASD-JBR-4D12AC-WH        | 4 11/16" x 4 11/16" x 5/8" | 0.7 lbs (0.3 kg) | 6                                   | 10.4" x 9.5" x 5.5"  | 4.9 lbs       | 81005073907 | 10810050739075 |
| ASD-JBR-4D12AC-WH-6PACK  | 4 11/16" x 4 11/16" x 5/8" | 3.7 lbs (1.7 kg) | 12 (2)                              | 12.6" x 12.6" x 6.3" | 9.3 lbs       | 81005073719 | 10810050737194 |
| ASD-JBR-4D12AC-WH-12PACK | 4 11/16" x 4 11/16" x 5/8" | 7.7 lbs (3.5 kg) | 12 (1)                              | 12" x 11.6" x 5.3"   | 8.8 lbs       | 81005073971 | -              |
| ASD-JBR-4D12AC-NK-6PACK  | 4 11/16" x 4 11/16" x 5/8" | 3.7 lbs (1.7 kg) | 12 (2)                              | 12.6" x 12.6" x 6.3" | 9.3 lbs       | 81005073839 | 20810050738396 |
| ASD-JBR-4D12AC-BR        | 4 11/16" x 4 11/16" x 5/8" | 0.7 lbs (0.3 kg) | 6                                   | 10.4" x 9.5" x 5.5"  | 4.9 lbs       | 81012811508 | 10810128115084 |
| ASD-JBR-4D12AC-BK        | 4 11/16" x 4 11/16" x 5/8" | 0.7 lbs (0.3 kg) | 6                                   | 10.4" x 9.5" x 5.5"  | 4.9 lbs       | 81005073908 | 10810050739082 |
| ASD-JBR-4D12AC-BK-6PACK  | 4 11/16" x 4 11/16" x 5/8" | 3.7 lbs (1.7 kg) | 12 (2)                              | 12.6" x 12.6" x 6.3" | 9.3 lbs       | 81005073721 | 10810050737217 |
| ASD-JBR-4D12AC-BK-12PACK | 4 11/16" x 4 11/16" x 5/8" | 7.0 lbs (3.2 kg) | 12 (1)                              | 12" x 11.6" x 5.3"   | 7.4 lbs       | 81012811649 | -              |
| ASD-JBR-6D15AC-WH        | 6 5/8" x 6 5/8" x 5/8"     | 0.8 lbs (0.4 kg) | 6                                   | 14.4" x 9.5" x 7.5"  | 6.4 lbs       | 81005073911 | 10810050739112 |
| ASD-JBR-6D15AC-WH-6PACK  | 6 5/8" x 6 5/8" x 5/8"     | 4.4 lbs (2 kg)   | 12 (2)                              | 13" x 12.4" x 8"     | 11.1 lbs      | 81005073724 | 10810050737248 |
| ASD-JBR-6D15AC-WH-12PACK | 6 5/8" x 6 5/8" x 5/8"     | 4.4 lbs (2 kg)   | 12 (1)                              | 12.4" x 10.8" x 7.3" | 9.4 lbs       | 81005073972 | -              |
| ASD-JBR-6D15AC-NK-6PACK  | 6 5/8" x 6 5/8" x 5/8"     | 4.4 lbs (2 kg)   | 12 (2)                              | 13" x 12.4" x 8"     | 11.1 lbs      | 81005073840 | 20810050738402 |
| ASD-JBR-6D15AC-BR        | 6 5/8" x 6 5/8" x 5/8"     | 0.8 lbs (0.4 kg) | 6                                   | 14.4" x 9.5" x 7.5"  | 6.4 lbs       | 81012811757 | 10810128117576 |
| ASD-JBR-6D15AC-BZ-6PACK  | 6 5/8" x 6 5/8" x 5/8"     | 4.4 lbs (2 kg)   | 12 (2)                              | 13" x 12.4" x 8"     | 11.1 lbs      | 81005073891 | 10810050738917 |
| ASD-JBR-6D15AC-BK        | 6 5/8" x 6 5/8" x 5/8"     | 0.8 lbs (0 kg)   | 6                                   | 14.4" x 9.5" x 7.5"  | 6.4 lbs       | 81005073912 | 10810050739129 |
| ASD-JBR-6D15AC-BK-6PACK  | 6 5/8" x 6 5/8" x 5/8"     | 4.4 lbs (2 kg)   | 12 (2)                              | 13" x 12.4" x 8"     | 11.1 lbs      | 81005073726 | 10810050737262 |
| ASD-JBR-6D15AC-BK-12PACK | 6 5/8" x 6 5/8" x 5/8"     | 9.2 lbs (4.2 kg) | 12 (1)                              | 12.4" x 10.8" x 7.3" | 9.4 lbs       | 81012811650 | -              |
| ASD-JBR-8D20AC-WH        | 8 11/16" x 8 11/16" x 5/8" | 1.1 lbs (0.5 kg) | 4                                   | 9.7" x 9.7" x 9.5"   | 6.0 lbs       | 81005073747 | 10810050737477 |
| ASD-JBR-8D20AC-BK        | 8 11/16" x 8 11/16" x 5/8" | 1.1 lbs (0.5 kg) | 4                                   | 9.7" x 9.7" x 9.5"   | 6.0 lbs       | 81005073748 | 10810050737484 |
| ASD-JBR-12D24AC-WH       | 11 5/8" x 11 5/8" x 5/8"   | 1.5 lbs (0.7 kg) | 4                                   | 12.4" x 9.6" x 12.4" | 7.9 lbs       | 81005073749 | 10810050737491 |
| ASD-JBR-12D24AC-BK       | 11 5/8" x 11 5/8" x 5/8"   | 1.5 lbs (0.7 kg) | 4                                   | 12.4" x 9.6" x 12.4" | 7.9 lbs       | 81005073750 | 10810050737507 |

For most up-to-date spec sheets please refer to [asd-lighting.com](http://asd-lighting.com)



# LED ROUND WAFER RECESSED MINI PANEL

| Model                                 | Product dimensions         | Weight           | Pcs. (pack) per carton | Carton size          | Carton weight | UPC          | GTIN 14        |
|---------------------------------------|----------------------------|------------------|------------------------|----------------------|---------------|--------------|----------------|
| <b>JBR ROUND</b>                      |                            |                  |                        |                      |               |              |                |
| ASD-JBR-4D9WH-6P                      | 4 15/16" x 4 15/16" x 7/8" | 3.5 lbs (1.6 kg) | 6 (1)                  | 13" x 6.1" x 5.7"    | 4.6 lbs       | 81019020016  | 10810050738610 |
| ASD-JBR-4D9WH-12P                     | 4 15/16" x 4 15/16" x 7/8" | 7.1 lbs (3.2 kg) | 12 (1)                 | 13" x 6.1" x 5.7"    | 8.6 lbs       | 81019020015  | 10810128110584 |
| ASD-JBR-4D9BK-6P                      | 4 15/16" x 4 15/16" x 7/8" | 3.5 lbs (1.6 kg) | 6 (1)                  | 13" x 6.1" x 5.7"    | 4.6 lbs       | 81019020014  | 10810050739389 |
| ASD-JBR-6D12WH-6P                     | 6 7/8" x 6 7/8" x 15/16"   | 4.4 lbs (2 kg)   | 6 (1)                  | 8.1" x 7.9" x 7.7"   | 5.7 lbs       | 81019020019  | 10810050738634 |
| ASD-JBR-6D12WH-12P                    | 6 7/8" x 6 7/8" x 15/16"   | 8.8 lbs (4 kg)   | 12 (1)                 | 15.6" x 8.5" x 7.7"  | 10.6 lbs      | 81019020018  | 10810128110621 |
| ASD-JBR-6D12BK-6P                     | 6 7/8" x 6 7/8" x 15/16"   | 4.4 lbs (2 kg)   | 6 (1)                  | 15.6" x 8.5" x 7.7"  | 5.7 lbs       | 81019020017  | 10810050739426 |
| ASD-JBR-6D12BK-12P                    | 6 7/8" x 6 7/8" x 15/16"   | 8.8 lbs (4 kg)   | 12 (1)                 | 15.6" x 8.5" x 7.7"  | 10.6 lbs      | 810190200308 | -              |
| <b>JBR ROUND WITH BATTERY BACK-UP</b> |                            |                  |                        |                      |               |              |                |
| ASD-JBR-6D15WH-EM                     | 6 5/8" x 6 5/8" x 3/4"     | 1.4 lbs (0.6 kg) | 2                      | 7.7" x 6.30" x 7.48" | 3.5 lbs       | 81012811932  | 10810128119327 |

## ACCESSORIES:

| Model                   | Product dimensions          | Pcs. (pack) per carton | Carton size           | Carton weight | UPC          | GTIN 14        |
|-------------------------|-----------------------------|------------------------|-----------------------|---------------|--------------|----------------|
| ASD-MPLR-346-FA-6PACK   | 13 1/4" x 9 1/16" x 1/16"   | 24 (4)                 | 14.4" x 9.8" x 3.2"   | 18.1 lbs      | 810050739344 | 10810050739341 |
| ASD-MPLR18-346-FA-6PACK | 18" x 9 1/16" x 1/16"       | 24 (4)                 | 18.9" x 9.8" x 3.2"   | 32.9 lbs      | 810128112826 | 10810128112823 |
| ASD-MPLR-81012-FA-6PACK | 18 1/2" x 13 3/8" x 1/16"   | 24 (4)                 | 19.5" x 14.2" x 3.2"  | 37.2 lbs      | 810128111553 | 10810128111550 |
| ASD-MPLR-346-FS-6PACK   | 26" x 8 1/4" x 1/16"        | 24 (4)                 | 27" x 9.1" x 3.2"     | 21 lbs        | 810050739351 | 10810050739358 |
| ASD-MPLR-81012-FS-6PACK | 26" x 13" x 1/16"           | 24 (4)                 | 27" x 13.8" x 3.2"    | 42.3 lbs      | 810128111577 | 10810128111574 |
| ASD-MPLR-346-SC-6PACK   | 14 3/8" x 10 9/16" x 1 5/8" | 12 (2)                 | 17.3" x 11.9" x 13.4" | 17 lbs        | 810050739337 | 10810050739334 |
| ASD-MPLR-81012-SC-6PACK | 17 11/16" x 13" x 1 9/16"   | 12 (2)                 | 21.3" x 17.5" x 15.6" | 24 lbs        | 810128111607 | 10810128111604 |
| ASD-EC-10A-6PACK        | -                           | 60 (10)                | 7.7" x 6.1" x 5.3"    | 1.8 lbs       | 810128110471 | 10810128110478 |
| ASD-EC-20A-6PACK        | -                           | 60 (10)                | 7.7" x 6.1" x 5.3"    | 3.1 lbs       | 810128110488 | 10810128110485 |

For most up-to-date spec sheets please refer to [asd-lighting.com](http://asd-lighting.com)

ASD LIGHTING CORP

E-mail: [orders@asd-lighting.com](mailto:orders@asd-lighting.com) | Web site: [www.asd-lighting.com](http://www.asd-lighting.com)

