

MaxLite® LED Slim Flood – 100W-320W



General Safety Information

- To reduce the risk of death, personal injury or property damage from fire, electric shock, falling parts, cuts/abrasions, and other hazards read all warnings and instructions included with and on the fixture box and all fixture labels.
- Before installing, servicing, or performing routine maintenance upon this equipment, follow these general precautions.
- Commercial installation, service and maintenance of luminaires should be performed by a qualified licensed electrician.
- For Residential installation: If you are unsure about the installation or maintenance of the luminaires, consult a qualified licensed electrician and check your local electrical code.
- **DO NOT INSTALL DAMAGED PRODUCT!**
- This fixture is intended to be connected to a properly installed and grounded UL listed junction box.



Picture is for illustration purposes only.
Your model may vary.

WARNING:

- Risk of Fire - Supply conductors (power wires) connecting the fixture must be rated min. 75°C Supply Conductors. If uncertain consult an electrician.
- Risk of fire or electric shock. installation requires knowledge of luminaires electrical systems.
- Risk of Fire/Electric Shock - If not qualified, do not attempt installation. Contact a qualified electrician.
- Keep away from flammable and explosive environment.
- Don't cover the fixture with insulation liner or similar material.
- Don't install where fixture is loose or only partially supported.
- Don't impact or exert pressure on the fixture surface face or rear, as damage may occur.

CAUTION:

- For your safety read and understand instructions completely before starting installation.
- To prevent wiring damage or abrasion, do not expose wiring to edges of sheet metal or other sharp objects.
- Before attempting installation, check your local electrical code, as it sets the wiring standards for your locality.

NOTES:

- If luminaire (fixture) is to be switched from a wall switch, make sure black power supply wire is connected to the switch. **DO NOT** connect the white supply wire to the switch.
- Make certain no bare wires are exposed outside the wire nut connectors.
- Do not make or alter any open holes in an enclosure of wiring or electrical components during kit installation.

Model:

MSFxxxA Series

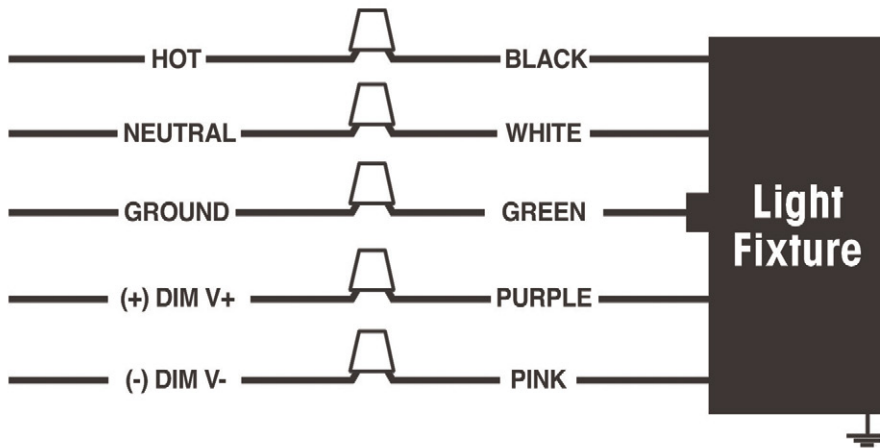
MaxLite® LED Slim Flood – 100W-320W



General Wiring Diagram

CAUTION: Turn off electrical power at fuse or circuit breaker box before wiring fixture to the power supply.

0-10V Dimmable Wiring:



- 1.) Connect the black fixture wire to the HOT LINE supply wire.
- 2.) Connect the white fixture wire to the NEUTRAL supply wire.
- 3.) Connect the green fixture wire to supply ground wire.
- 4.) Connect the purple fixture wire to the (V+) DIM wire.
- 5.) Connect the pink fixture wire to the (V-) DIM wire.

MaxLite® LED Slim Flood – 100W-320W

Knuckle Slipfitter Mount

- 1.) Remove the luminaire from the packaging.
- 2.) Connect the input wires coming out of the mounting bracket to the power supply wires in the support/pole according to the wiring diagram above (**Fig. 1**).
- 3.) Place the wires into the support/pole and slide the mounting onto it. Secure it by tightening the four (4) locking bolts.
- 4.) Loosen the adjusting bolt in the center of the mounting and adjust it to the desired angle. Retighten the bolt to secure it in place (**Fig. 2**).

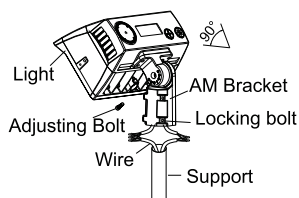


Fig. 1

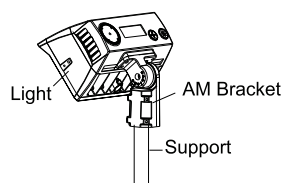


Fig. 2

Yoke Mount

- 1.) Remove the luminaire from the packaging.
- 2.) If required, drill mounting holes into the mounting surface using the yoke mount as a template (**Fig. 3**).
- 3.) If the mounting surface is a wall, insert expansion or anchor bolts into the holes drilled in step 3 (**Fig. 4**).

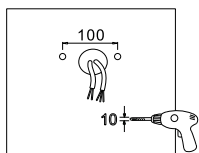


Fig. 3

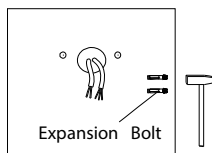
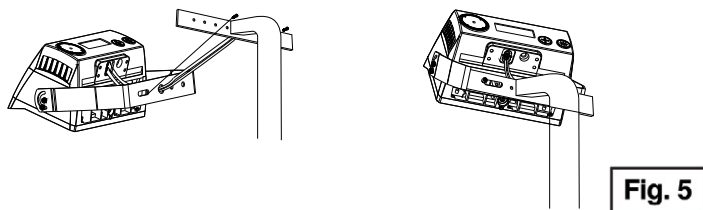
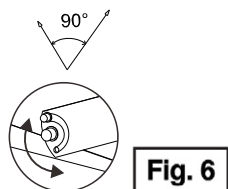


Fig. 4

- 4.) Attach the yoke bracket to the mounting surface (**Fig. 5**).



- 5.) Loosen the bolts on both sides of the yoke and adjust the luminaire to the desired angle. Secure the luminaire in this position by retightening the bolts on both sides of the yoke mount (**Fig. 6**).



- 6.) Connect the AC input wires coming from the luminaire to the power supply wires according to the wiring diagram on page 2.

MaxLite® LED Slim Flood – 100W-320W

Installation & Operation – Color Temperature (CCT)/Wattage Adjustment

1.) Using a screwdriver, remove the KO plug from the back of the luminaire (Fig. 7).

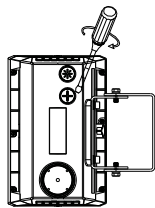


Fig. 7

2.) Adjust the color temperature switch to the desired CCT (all models) and the power switch to the desired wattage (-WCS models only) (Fig. 8).

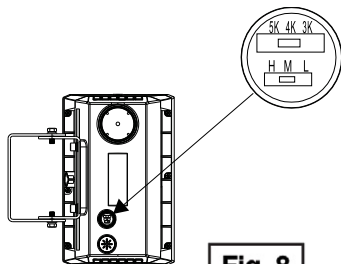


Fig. 8

Installation & Operation - Button PC (150W Only)

1.) If photocell function is required, remove the clear KO cover on the back of the luminaire. Adjust the switch on/off depending on the installer's preference. Put the plastic cover back in place to ensure water does not leak into the fixture (Fig. 9).

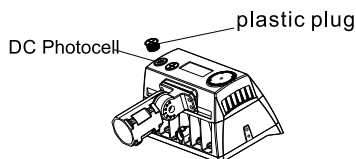


Fig. 9

Installation & Operation – 7-pin Receptacle

1.) If photocell function is required, install the photocell (or other sensor compatible with the receptacle) into the 7-pin NEMA receptacle socket on the back of the luminaire. Otherwise, install a shorting cap into the socket (Fig. 10).

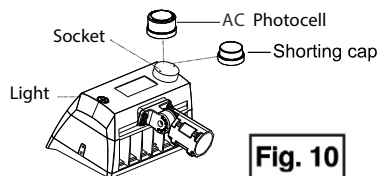


Fig. 10

MaxLite® LED Slim Flood – 100W-320W

Installation & Operation - Optical Angle Adjustment

- 1.) Remove the grommet on top of the housing (Fig. 11)
- 2.) Using using a flat head screwdriver adjust the dial to the desired beam angle (Fig. 12).

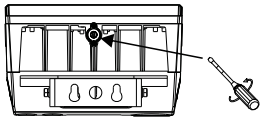


Fig. 11

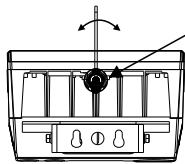


Fig. 12



55° = Narrow
75° = Medium
90° = Wide

- 3.) Replace the grommet.

Field Installation – Yoke Mount

- 1.) Remove the four (4) bolts connecting the slipfitter knuckle to the fixture. (Fig. 13)
- 2.) Remove the slipfitter knuckle from the fixture. The upper and lower knuckle pieces may need to be loosened to get the input cords out. (Fig. 14)

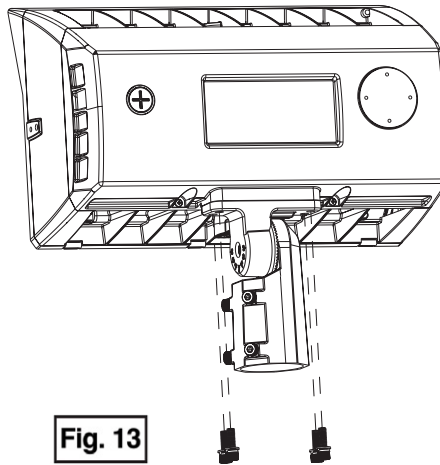


Fig. 13

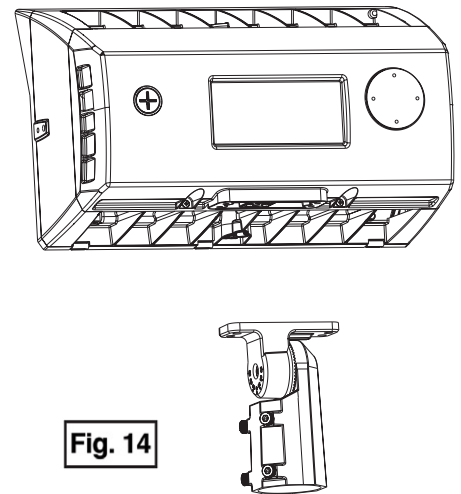


Fig. 14

- 3.) Place the yoke mount onto the fixture. Align the holes on the side of the fixture with the mounting holes in the yoke mount. Adjust the yoke to the desired angle. (Fig. 15)

NOTE:

The smaller mounting hole must fall within the arched slot.

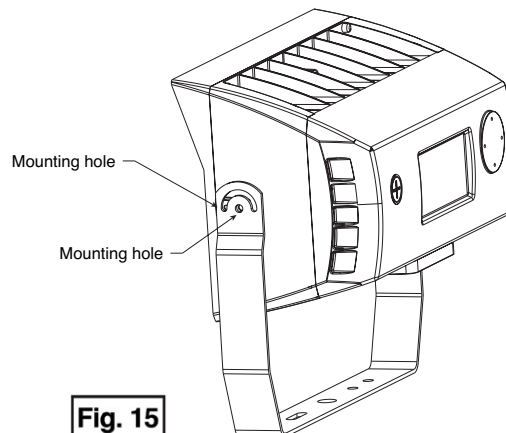


Fig. 15

- 4.) Secure the four (4) bolts and washers included with the yoke mount. (Fig. 16)

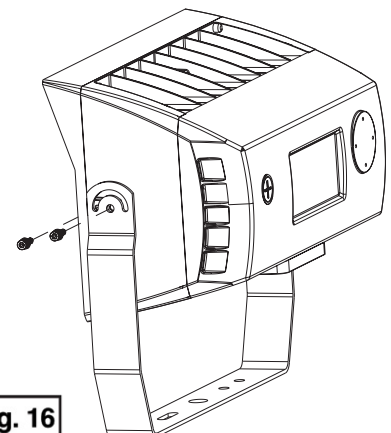


Fig. 16

MaxLite® LED Slim Flood – 100W-320W**Warranty Information**

Maxlite Inc. warrants its products for a minimum period of **FIVE (5)** years from the earlier of the actual installation date or 90 days after the original date of purchase from a Maxlite authorized distributor/dealer (the "Warranty Period"), as follows: If a Product fails to operate during the Warranty Period as a result of defects in materials or workmanship, Maxlite will, at its option, repair it, replace it with the same or like Product.

Please refer to Maxlite's website (at <http://maxlite.com/resources/warranties>) for the complete coverage details as well as the terms and conditions of our warranty. Please note that it is NOT a requirement to register your warranty in order to initiate a warranty claim unless a Ten Year warranty has been purchased separately, or when applicable and/or purchased separately, your warranty contains a replacement labor allowance.

Limitation of Liability

THIS WARRANTY IS EXCLUSIVE, AND IS THE SOLE REMEDY FOR ANY AND ALL CLAIMS, WHETHER IN CONTRACT, IN TORT OR OTHERWISE ARISING FROM THE FAILURE OF PRODUCT AND IS IN LIEU OF ALL OTHER WARRANTIES, EXPRESS OR IMPLIED, INCLUDING ALL WARRANTIES OF MERCHANTABILITY OR FITNESS FOR A PARTICULAR PURPOSE, WHICH WARRANTIES ARE HEREBY EXPRESSLY DISCLAIMED TO THE EXTENT PERMITTED BY LAW AND, IN ANY EVENT, SHALL BE LIMITED TO THE WARRANTY PERIOD SPECIFIED ABOVE. THE LIABILITY OF MAXLITE SHALL BE LIMITED TO THE TERMS OF THE EXPRESS WARRANTY SET FORTH HEREIN. IN NO EVENT WILL MAXLITE BE LIABLE FOR ANY SPECIAL, INCIDENTAL OR CONSEQUENTIAL DAMAGES INCLUDING, WITHOUT LIMITATION, DAMAGES RESULTING FROM LOSS OF USE, PROFITS, BUSINESS OR GOODWILL, LABOR COSTS, REMOVAL OR INSTALLATION COSTS, WHETHER OR NOT MAXLITE HAS BEEN ADVISED OF THE POSSIBILITY THEREOF. UNDER NO CIRCUMSTANCES SHALL MAXLITE'S ENTIRE LIABILITY FOR A DEFECTIVE PRODUCT EXCEED THE PURCHASE PRICE OF THAT PRODUCT (EXCLUDING LABOR WARRANTY COVERAGE WHERE SPECIFICALLY OFFERED BY MAXLITE). WARRANTY SERVICES PROVIDED UNDER THESE TERMS AND CONDITIONS DONOT ENSURE THE UNINTERRUPTED OPERATION OF PRODUCTS; MAXLITE SHALL NOT BE LIABLE FOR DAMAGES CAUSED BY ANY DELAYS INVOLVING WARRANTY SERVICE.

This Warranty gives you specific legal rights and you may also have other rights that may vary from state to state. Because some states or jurisdictions do not allow the exclusion or limitation of liability for consequential or incidental damages, such limitation may not apply to you.