

PROJECT NAME: _____ CAT. #: _____
 NOTES: _____ FIXTURE SCHEDULE: _____

ROUND CASAMBI NETWORK BLE NODE AND SENSOR



NN-RDMPB-CA



NN-RDB-CA

Overview:

c-Max Network Partners features additional networked lighting controls proposition that seamlessly combines MaxLite's broad c-Max controls ready luminaires with other technology partners control systems. This new wireless offering extends MaxLite's c-Max Lighting controls solutions to now include Casambi's DLC 5.0 qualified system featuring a globally interoperable lighting controls ecosystem. It features patented USB-C based sensors and nodes based on Casambi Mesh firmware.

Applications:

- Site Lighting
- Parking Garages/Lots
- Exterior
- Warehouse
- Industrial
- Commercial

Features:

- Luminaire Level Lighting Control (LLLC) enabled with wireless BLE
- Simple "Plug-and-Play" connection - Easy to install in the field with pre-installed USB-C receptacle in Maxlite Controls Ready luminaires
- Easy Commissioning with Casambi App (Available in iOS and Android)
- Local Bluetooth Network with no gateway needed
- Choice of different devices based on your desired functionality: Occupancy/Vacancy and Daylight Harvesting on select models
- Multi-level dimming: Manual ON/OFF Automatic ON/OFF, and Automatic Partial ON/OFF control capability
- Ability to create scenes for more customized dimming scenarios
- Time clock scheduling for individual lights, groups, or scenes
- High-Trim/Tuning sets the maximum light level based on customer requirements in each space
- Includes locking screw to resist vandalism and withstand vibration (Requires 1.5mm Allen wrench)
- Check www.maxlite.com/cmex for c-Max fixture compatibility
- 5 Year Warranty

System Highlights:

- Casambi Mesh provides self-organizing wireless mesh with no single points of failure
- Product Ecosystem - Interoperable with a vast ecosystem of products
- Total end-to-end wireless solution including Cloud services and 3rd party integration via Gateway and API
- Strong suite of solutions for RGB color, circadian control, tunable white, daylight control and scene animations
- Feature-rich applications with focus on ease of use and customizable lighting experiences
- Casambi app serves multiple roles - it acts as a user interface, commissioning tool, and remote gateway
- Engineered for the future that supports key IoT protocols and industry standards
- Reduced need for extra hardware - same firmware supports all features

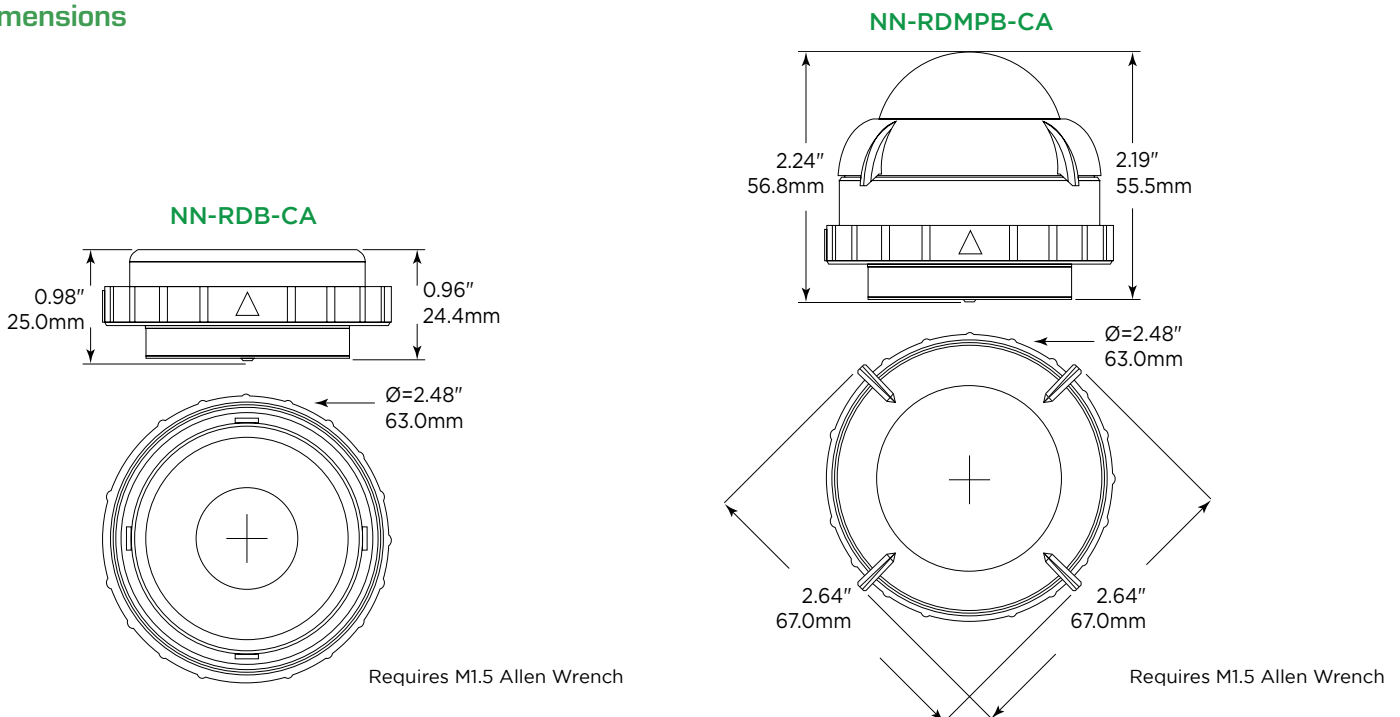
Ordering Information

MODEL NUMBER	DESCRIPTION	UPC	ORDER CODE
NN-RDB-CA	CASAMBI NETWORK NODE ROUND, BRONZE	767627072727	112433
NN-RDMPB-CA	CASAMBI NETWORK NODE ROUND, PIR MOTION SENSOR/PHOTOCELL, BRONZE	767627072710	112432

ROUND CASAMBI NETWORK BLE NODE AND SENSOR

Specifications	NN-RDMPB-CA	NN-RDB-CA
BLE Control Node	Yes	Yes
Daylight Harvesting	Yes	No
PIR Motion Sensor	Yes	No
Detection Mode	Occupancy/Vacancy	N/A
Overall Dimensions	2.48" x 2.24" (63mm x 56.8mm)	2.48" x 0.98" (63 mm x 25 mm)
Weight	2.14oz (61g)	1.47oz (42g)
Connector Port	USB-C	
Operating Voltage	12-24VDC	
Operating Current	max 15mA	
Sinking Current	max 25mA	
Control Output	Analog 0-10V (Linear)	
Status Indicators	Green (Network Status), Red (Sensor Detection)	
Radio Frequency	2.4GHz ± 75MHz	
Wireless Standard	Bluetooth Low Energy	
Programming	Casambi App iOS and Android	
Cyber Security	ioXt Certified	
Mesh Range	Up to 360ft node-to-node and 50ft node-to-device (Commissioning)	
Safety	cULus Listed E511069 Light-emitting-diode Controllers	
FCC	47 CFR Part 15, Subpart C 15.247	
QDID	195377	
Operating Temperature	-40°F to 130°F / -40°C to 55°C	
IP Rating	IP65	
Color	Bronze	
Warranty	5 Year warranty. Check maxlite.com/warranties for details.	

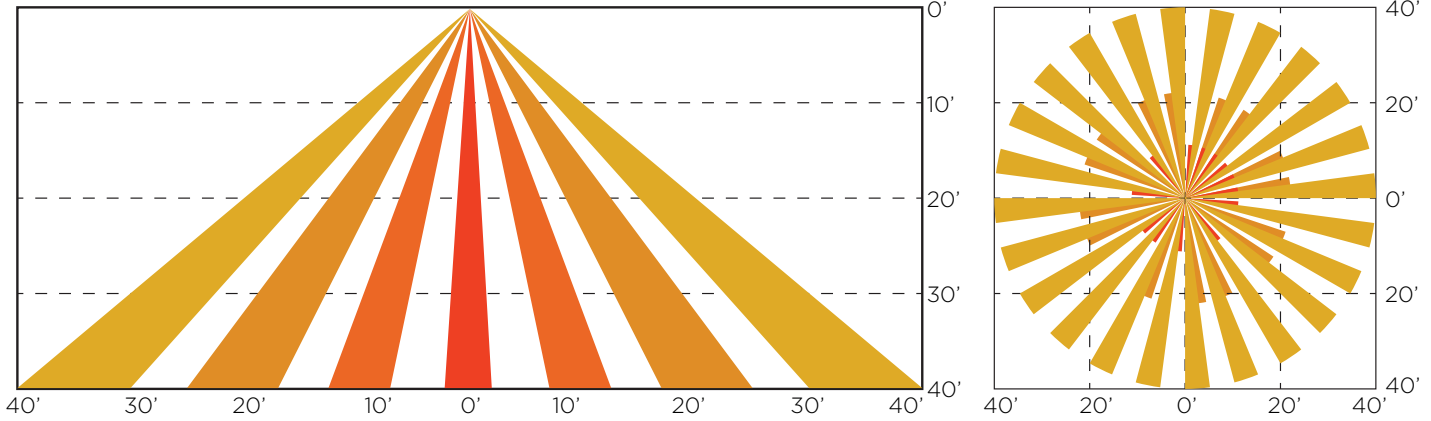
Dimensions



ROUND CASAMBI NETWORK BLE NODE AND SENSOR

Sensor Detection Coverage

NN-RDMPB-CA

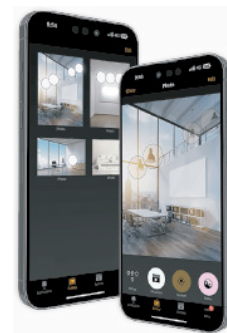


MOUNTING HEIGHT	10ft 3.0m	20 ft 6.0m	30 ft 9.1m	40 ft 12.2m
MAX COVERAGE DIAMETER	20 ft 6.0m	40 ft 12.2m	60 ft 18.3m	80 ft 24.4m

Technology Partner
CASAMBI

As a market leader in wireless lighting control solutions, Casambi leverages Bluetooth Low Energy (BLE) to establish a robust mesh network for secure, encrypted device-to-device communication within the lighting network.

With millions of nodes deployed worldwide, Casambi offers great user experience, high performance, and scalability from small installs to large scale enterprise deployment needing cloud-based remote control, monitoring and data logging



Download the Casambi App



Explore how c-Max Casambi ready products can bring advanced lighting controls in the most flexible way!

