

PROJECT NAME: _____
 NOTES: _____

CAT. #: _____
 FIXTURE SCHEDULE: _____

LED Filament Post Top A21, ED28, ED37 Series



18W
E26 Base

26/39W
E26 Base



54/63W
EX39 Base

Product Description

Upgrade HID lighting with high-output LED replacement lamps that offer instant energy savings and long-term performance. These lamps combine the efficiency and extended life of LED technology with the size, look, and light distribution of traditional HID lamps. Featuring innovative high-power LED filament technology in a full glass bulb, they deliver reliable performance in a familiar form factor—making retrofit quick and easy for indoor and outdoor environments.

Features

- 50,000 hour life
- Dimmable - Triac 10-100%
- Power Factor \geq 0.9, CRI 80
- A21 with E26 base, ED28 with E26 base, ED37 with EX39 base

Ordering Structure

SERIES	WATTAGE	FAMILY	CCT	BASE
EF = Enclosed Top Filament	18 = 18W	A21 = A21	40 = 4000K	E26 = E26 Base
	26 = 26W 39 = 39W		50 = 5000K	
	54 = 54W 63 = 63W	ED28 = ED28		
			ED37 = ED37	

Stocked Items

E26 BASE		EX39 BASE	
ORDER CODE	MODEL NUMBER	ORDER CODE	MODEL NUMBER
113431	EF18A21-40-E26	113442	EF54ED37-40-EX39
113432	EF18A21-50-E26	113443	EF54ED37-50-EX39
113446	EF26ED28-40-E26	113444	EF63ED37-40-EX39
113447	EF26ED28-50-E26	113445	EF63ED37-50-EX39
113433	EF39ED28-40-E26		
113434	EF39ED28-50-E26		

FCC Statement

NOTE: This equipment has been tested and found to comply with the limits for a class B digital device, pursuant to Part 15 of the FCC Rules. These limits are designed to provide reasonable protection against harmful interference in a residential installation. This equipment generates, uses, and can radiate radio frequency energy and, if not installed and used in accordance with the instructions, may cause harmful interference to radio communications. However, there is no guarantee that interference will not occur in a particular installation.

If this equipment does cause harmful interference to radio or television reception which can be determined by turning the equipment off and on, the user is encouraged to try to correct the interference by one or more of the following measures:

- Reorient or relocate the receiving antenna. Increase the separation between the equipment and receiver.
- Connect the equipment to an outlet on a circuit different from that to which the receiver is connected.
- Consult the dealer or an experienced radio/TV technician for help.

LED Filament Post Top

A21, ED28, ED37 Series

Specifications

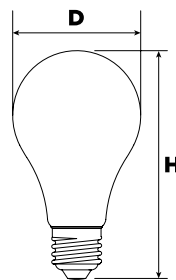
	EF18A21-xx-E26	EF26ED28-xx-E26	EF39ED28-xx-E26	EF54ED37-xx-EX39	EF63ED37-xx-EX39
Family, Base Type	A21 with E26 base	ED28 with E26 base	ED28 with E26 base	ED37 with EX39 base	
Input Wattage (W)	18W	26W	39W	54W	63W
Lumens Delivered (lm)	2605 lm	4000 lm	6000 lm	8000 lm	9500 lm
Nominal Efficacy (lm/W)	145 lm/W	153 lm/W	154 lm/W	148 lm/W	158 lm/w
Equivalent Wattage (W)	50W MH	100W MH	150W MH	175W MH	250W MH
CCT	4000K, 5000K				
CRI	≥80				
Calculated L70 Lumen Maintenance	50,000 hours				
Distribution	300°				
Surge Protection	1KV	2.5KV	2.5KV	2.5KV	2.5KV
Dimming Technology	Triac				
Dimming Range	Dimmable, 10%-100%				
Input Voltage	120-277V AC, 60Hz				
Power Factor	≥0.9				
Lens	Glass				
Operating Temperature	-13°F to 122°F				
Certifications	cETLus listed, FCC, RoHS				
Environment	Enclosed rating. Use for retrofit surface mount, Type IC or Non-IC recessed mount listed HID luminaires	Totally enclosed, recessed luminaires. For use in surface mounted, wall or ceiling luminaires and portable luminaires.	Totally enclosed, recessed luminaires. For use in surface mounted, wall or ceiling luminaires and portable luminaires.	Totally enclosed, recessed luminaires. For use in surface mounted, wall or ceiling luminaires and portable luminaires.	
Warranty	5 Year warranty. Check maxlite.com/warranties for details				
Case Qty	12	6	6	6	6

Compatible Dimmers

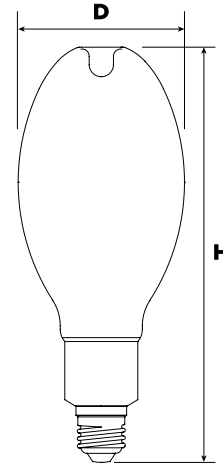
BRAND/MAKE	DIMMER MODELS
Leviton Surfside	6674
Leviton	DSM10
Lutron Maestro	MACL-153M
Lutron Skylark	SKL-153P
Lutron	DVCL-153P

Dimensions

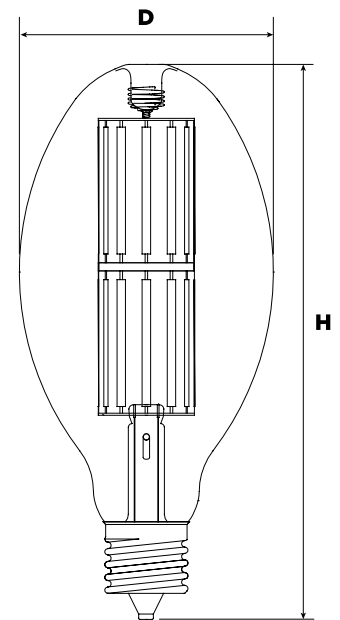
MODEL	D (INCHES)	H (INCHES)
EF18A21-xx-E26	2.64	4.57
EF26ED28-xx-E26	3.54	8.86
EF39ED28-xx-E26	3.54	8.86
EF54ED37-xx-EX39	4.72	10.24
EF63ED37-xx-EX39	4.72	10.24



EF18A21-xx-E26



EF26ED28-xx-E26
EF39ED28-xx-E26



EF54ED37-xx-EX39
EF63ED37-xx-EX39