

PROJECT NAME: \_\_\_\_\_  
 NOTES: \_\_\_\_\_

CAT. #: \_\_\_\_\_  
 FIXTURE SCHEDULE: \_\_\_\_\_

# RCF Network Sensor Series Downlights Tunable White

## Product Description

The new RCF Network Sensor Series Downlight is a network-ready, all-in-one solution that combines high-performance LED lighting with c-Max Network controls and a patent-pending integrated motion and daylight sensor. This advanced design eliminates the need for external sensors or control modules, simplifying installation.

The downlight mounts directly into the ceiling and connects to a junction box using an integral whip—removing the need for a traditional recessed housing and reducing installation time and labor costs. Its slim, low-profile form fits shallow ceilings, while the white baffle trim and wide beam angle provide comfortable, low-glare illumination.

With c-Max network compatibility and tunable white CCT selection from 2700K to 6500K, the RCF series delivers flexible control, energy efficiency, and visual comfort for hospitality, retail, office, and other commercial applications.

## Features

- Bluetooth technology
- Integrated motion and daylight sensor with patent pending design
- c-Max network ready
- Max ceiling sensor range 10ft
- Tunable White (2700K-6500K)
- Qualified as a fixture and a retrofit
- Mounts directly into ceiling, no housing required
- Extra wide flange to cover oversize openings
- Input Voltage 120-277V
- Beam angle 100°
- IC rated
- CRI: >90
- Rated for damp location



4" - 10W



6" - 20W



8" - 28W



10" - 35W

## Ordering Information

FAMILY	SIZE	TECHNOLOGY	WATTAGE	CCT SELECTABLE	CONTROLS	SOURCING STRATEGY
<b>RCF</b>	4 = 4"	<b>N</b> = Network Controls	10 = 10W	<b>TW</b> = Tunable White 2700K-6500K	<b>MS</b> = PIR sensor with network controls	<b>BLANK</b> = None <b>TA</b> = TAA Compliant Country
	6 = 6"		20 = 20W			
	8 = 8"		28 = 28W			
	10 = 10"		35 = 35W			

Emergency Backup Battery is not available, reference the RCF product family for options:

- [RCF 6" & 8" Multi-Mode Downlights](#)
- [RCF 4", 6", 8" & 10" 0-10V Downlights](#)

## Stock Items

ITEM NUMBER	ORDER CODE	SIZE	DESCRIPTION	ENERGY STAR
RCF4N10TWMSTA	113930	4 IN	UNIVERSAL DOWNLIGHT 4 INCH, 10W, 120-277V, TUNABLE WHITE 2700K/3000K/3500K/4000K/5000K/6500K, PIR SENSOR WITH NETWORK CONTROLS	4519502
RCF6N20TWMSTA	113931	6 IN	UNIVERSAL DOWNLIGHT 6 INCH, 20W, 120-277V, TUNABLE WHITE 2700K/3000K/3500K/4000K/5000K/6500K, PIR SENSOR WITH NETWORK CONTROLS	4519584
RCF8N28TWMSTA	113932	8 IN	UNIVERSAL DOWNLIGHT 8 INCH, 28W, 120-277V, TUNABLE WHITE 2700K/3000K/3500K/4000K/5000K/6500K, PIR SENSOR WITH NETWORK CONTROLS	4519585
RCF10N35TWMSTA	113933	10 IN	UNIVERSAL DOWNLIGHT 10 INCH, 35W, 120-277V, TUNABLE WHITE 2700K/3000K/3500K/4000K/5000K/6500K, PIR SENSOR WITH NETWORK CONTROLS	4520754



# RCF Network Sensor Series Downlights Tunable White

## Accessories (Sold Separately)

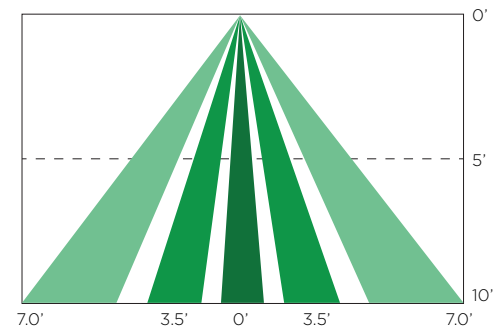
ORDER CODE	MODEL NUMBER	DESCRIPTION	IMAGE
109999	CDFK-4-10IN/2PK	COMMERCIAL DOWNLIGHT FRAME KIT, NEW CONSTRUCTION, 4", 6", 8" & 10" SIZE - 2 PACK	

Specifications	RCF4N10TWMS	RCF6N20TWMS	RCF8N28TWMS	RCF10N35TWMS
Power Consumption (W)	10W	20W	28W	35W
Lumens Delivered (lm)	910	2,000	3,000	3,800
Efficacy (lm/W)	91	100	107	108
CRI	≥90			
Color Temperature (CCT)	Tunable White: 2700 - 6500K			
L70 Lifetime (hours)	50,000 Hrs			
Color Consistency	Proprietary binning for uniform color			
Power Factor	≥0.9			
Input Voltage	120-277V			
Mounting	Direct to ceiling			
Housing	Aluminum			
Operating Temperature	-4°F -104°F (-20°C - 40°C)			
Certification	ETL, ENERGY STAR, FCC, T24 - JA8 High Efficacy Lighting			
Material Usage	RoHS compliant; no mercury			
Environment	Damp Locations, IC rated			
Warranty	5 Year warranty. Check <a href="http://maxlite.com/warranties">maxlite.com/warranties</a> for details			

## Power-Up Sequence

- Fixture powers on at the lowest CCT (2700K) at a dim level.
- It then cycles upward through the CCT range to 6500K.
- After cycling, the fixture settles at 4000K and ramps up to 100% output, where it remains.
- Total startup sequence duration: approximately 10 seconds.

## Sensor Downlight Range (10' ceiling)



**Product must be commissioned with c-Max app before first use.**

## Connecting Your Bluetooth Downlight

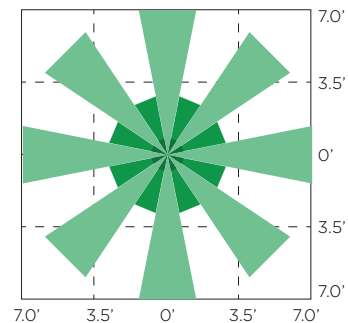
Scan the QR code to download mobile App, follow instructions for direct to phone set-up. Use the mobile App to pair devices, create groups, set scenes, set schedules, set brightness and CCT based on your needs.



Android



iOS

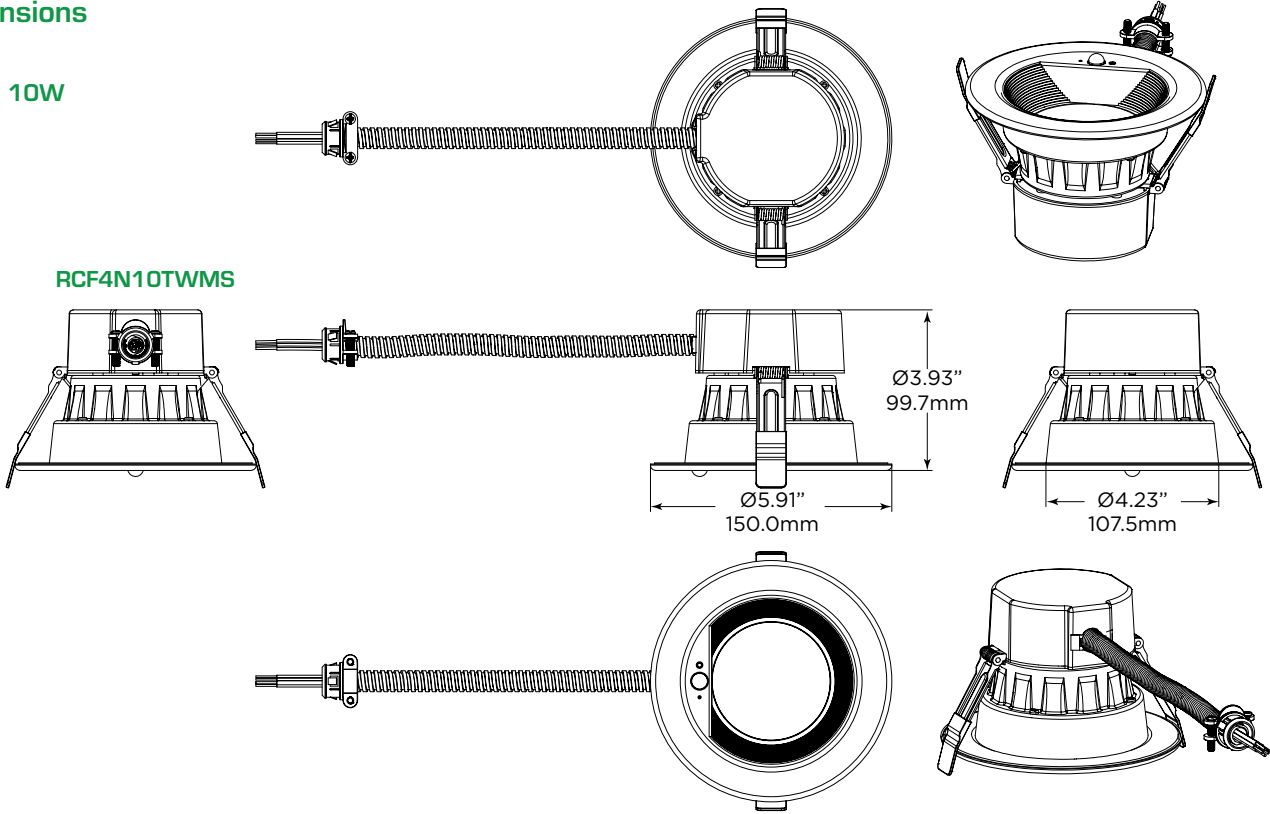


## RCF Network Sensor Series Downlights *Tunable White*

### Dimensions

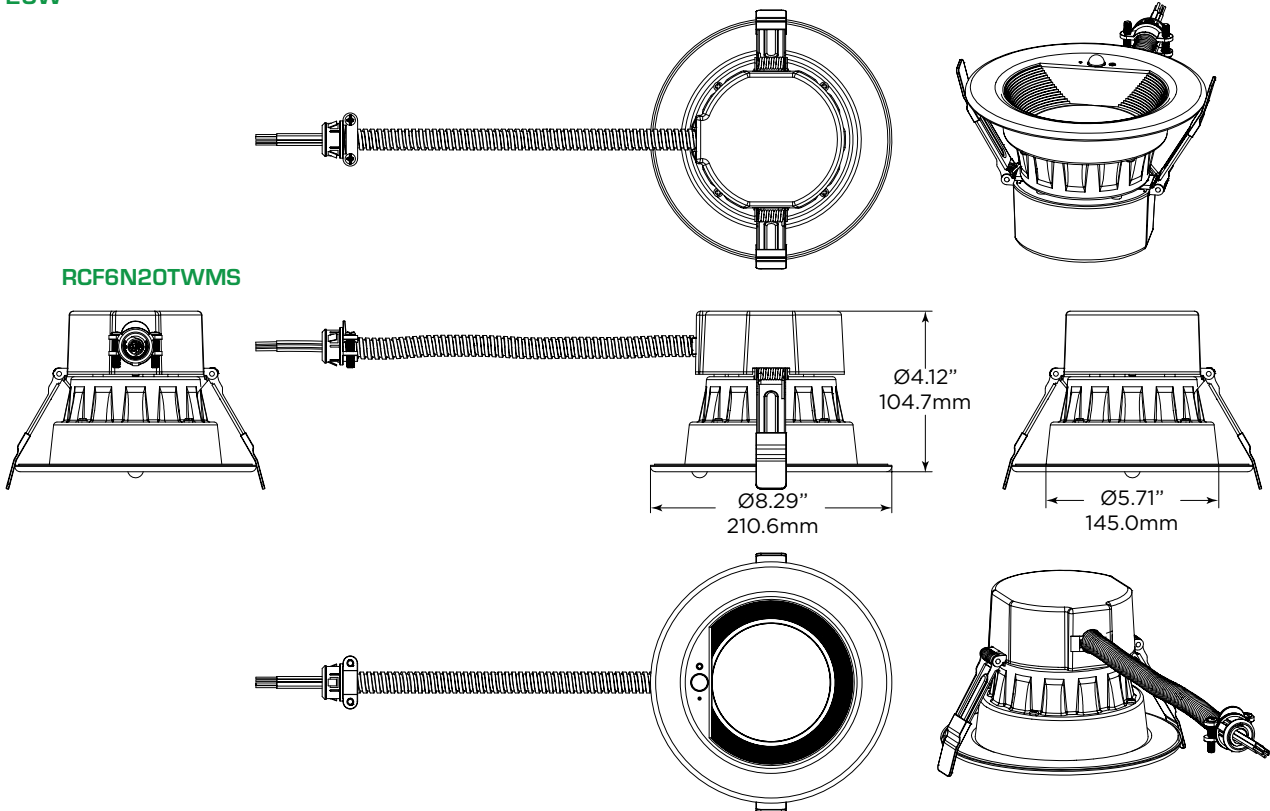
#### 4" - 10W

**RCF4N10TWMS**



#### 6" - 20W

**RCF6N20TWMS**

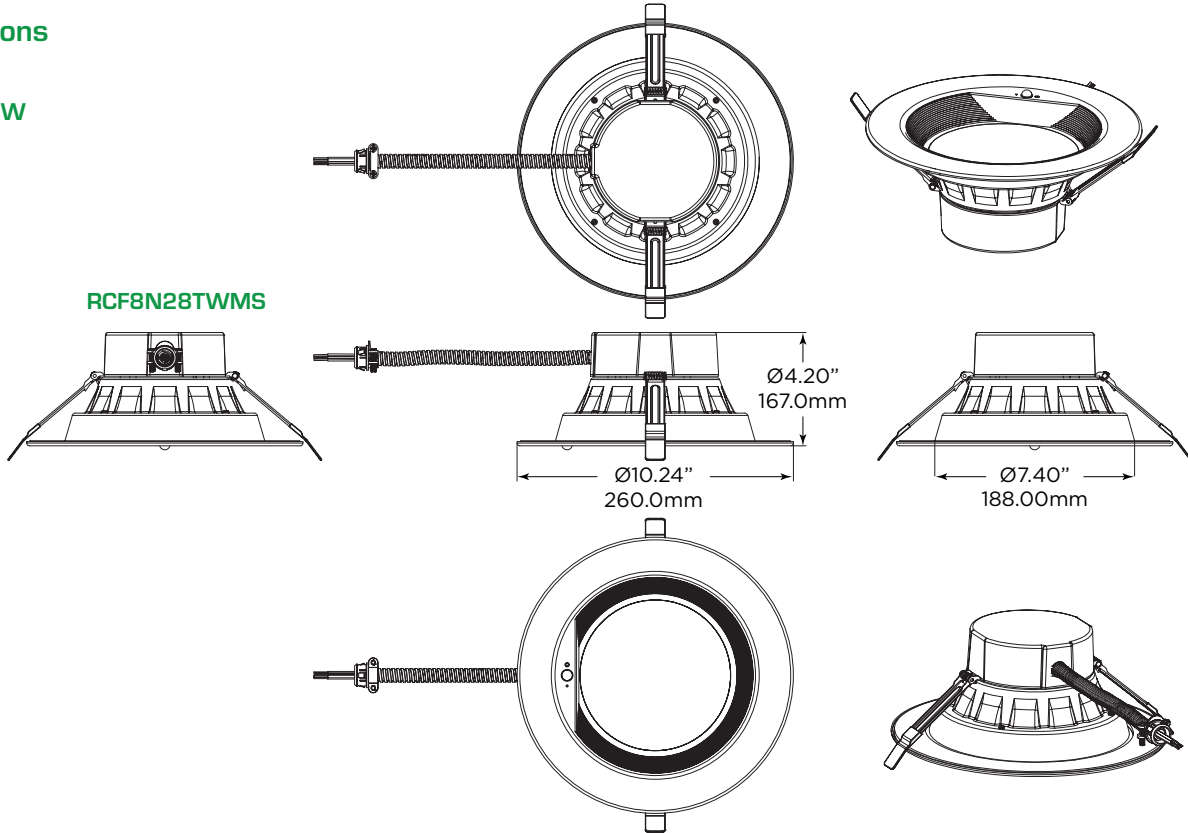


## RCF Network Sensor Series Downlights *Tunable White*

### Dimensions

8" - 28W

**RCF8N28TWMS**



10" - 35W

**RCF10N35TWMS**

