

KT-LALEDXXPS-YA-8CSF-VDIM

LINEAR DIRECT/INDIRECT SHAPES

DESCRIPTION

Linear Architectural LED Fixture with Direct/Indirect Lighting | Power and Color Selectable | 120-277V Input | 0-10V Dim with 12V AUX | White

APPLICATION

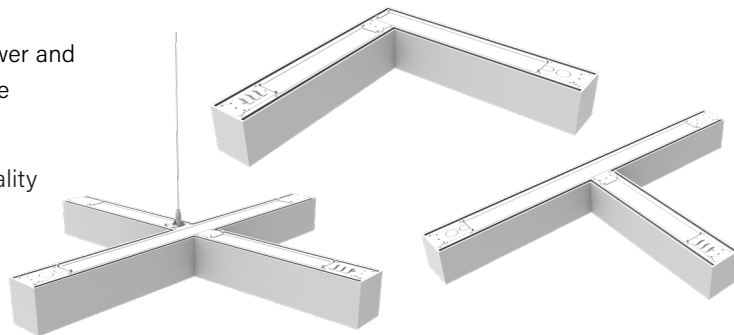
Indoor Illumination needs for Office, Education, Healthcare, Hospitality and Retail settings with a wide variety of installation options



RoHS Compliant



10 YEAR
LIMITED WARRANTY



PRODUCT FEATURES

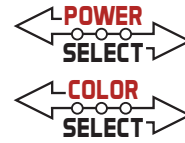
- Modern architectural linear fixture with an unparalleled blend of flexible performance specs, attractive design, and easy modular linking to meet diverse requirements from general purpose to specification grade applications. Available in L, X, and T shapes.
- Designed to be used in conjunction with all linear direct/indirect Linta fixtures (KT-LALEDxxPS-yA-8CSF-VDIM) for pendant mount installations to create various patterns and multi-dimensional shapes when joined together. Can also be used as a stand alone fixture if desired.
- Extruded Aluminum Housing & internal wiring designed for modular tool-free assembly allows installers to quickly and seamlessly link fixtures to create continuous rows of illumination.
- Select between Direct and Direct/Indirect lighting modes to suit lighting needs. (100% down, 70% down/30% up, 50% down/50% up)
- All fixtures are Power & Color Selectable with up to 130 lm/W offers class leading efficiency for maximum energy savings
- Powered by Keystone 0-10V Dimming LED driver with Dim-to-Off & 12V AUX power tap
- Diffused polycarbonate lens provide uniform illumination and lit appearance
- Each Fixture includes a standard 15' aircraft mounting cable kit for suspension mount installations and options for both fixed cable grippers and adjustable cable grippers that slide along with length of the fixture, to allow for flexible ceiling mount locations
- Wide variety of cable mount canopy accessories available (sold separately) for feed and non-feed kits to cover a wide variety of installations needs including J-Box mount, surface/drywall mount, T-Bar Mount, and Masonry Mount
- Optional Smartloop Wireless occupancy sensor end cap to mount KTSL-FC2-12V-SM-PIR
- UL Certified for dry or damp locations
- LED chip lifetime: L70 >100,000 hrs @ 25°C/77°F ambient fixture temp
- Power Factor >0.95, THD:<20%
- Ambient operating temperature: -40°C/-40°F to 50°C/122°F (pendant and wall only. Recessed mount Max of 40C)
- Meets FCC Part 15, Part B, Class A standards for conducted and radiated emissions

PRODUCT SPECIFICATIONS

Catalog Number	Shape	Selectable Wattage	Selectable CCT	Max Lumens	Nominal Efficacy	Input Voltage	Dimmable	DLC	CRI	Lifetime	Housing Color
KT-LALED25PS-LA-8CSF-VDIM	L	26W / 16W / 20W	2700K 3000K 3500K 4000K 5000K	3250	125 lm/W	120-277V	0-10V	Yes	>80	50,000 hrs	White
KT-LALED37PS-TA-8CSF-VDIM	T	37W / 30W / 23W		4625							
KT-LALED50PS-XA-8CSF-VDIM	X	50W / 38W / 30W		6250							
KT-LALED25PS-LA-8CSF-VDIM-B	L	26W / 16W / 20W		3250							Black
KT-LALED37PS-TA-8CSF-VDIM-B	T	37W / 30W / 23W		4625							
KT-LALED50PS-XA-8CSF-VDIM-B	X	50W / 38W / 30W		6250							

* Fixture Pre-set to highest Wattage & 5000K

**Color Uniformity: CCT (Correlated Color Temperature) range as per guidelines outlined in ANSI C78.377-2017

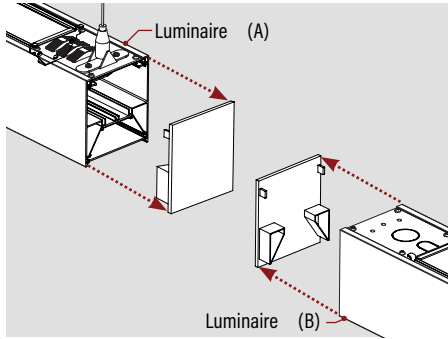


KT-LALEDXXPS-YA-8CSF-VDIM

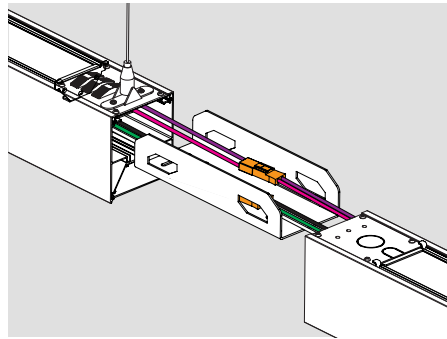
LINEAR DIRECT/INDIRECT SHAPES

EASY LINKABLE FUNCTION

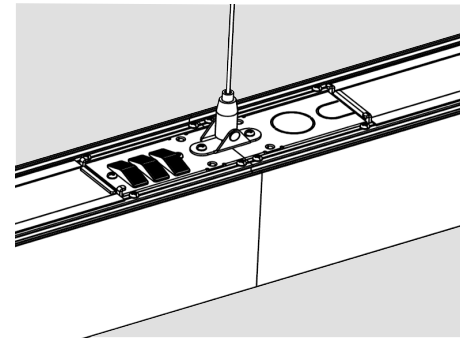
- These fixtures are designed to be easily linkable / daisychained in any variety of lengths, so long as the total connected load (per power feed) does not exceed the following conditions:
 1. 7 fixtures max
 2. Total connected load is <math><420W</math> at 120V and <math><960W</math> at 277V



Step 1. Remove End Caps and open the topside of the fixture

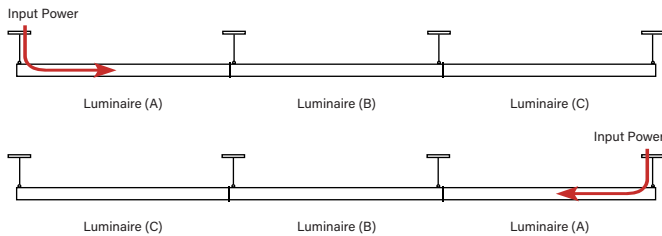


Step 2. Insert Linking Bracket, Connect wiring via included quick connects, Slide Fixture together, and fasten bracket with included buckles

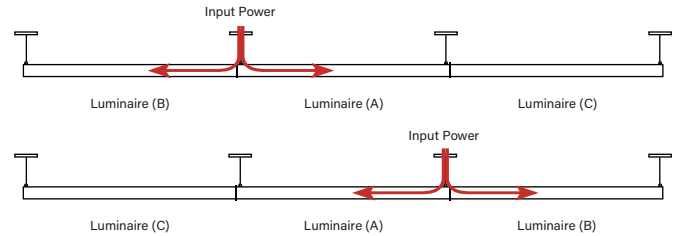


Step 3. Install suitable suspension hardware ((1) fixed aircraft cable gripper bridged across the fixture seam is recommended)

Single Direction



Multi-Direction

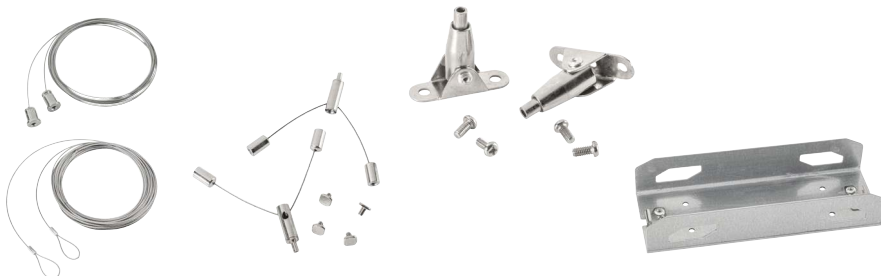


* For Multi-Direction wiring requires use of wiring harness accessory (KT-LALED-WH-MD-KIT).

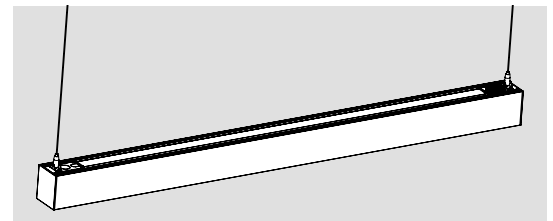
WHATS INCLUDED

Each Fixture Comes with the following

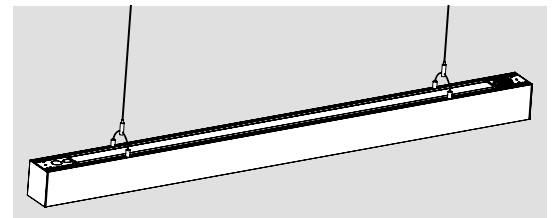
- (1) Fixture Body
- (1) Standard Aircraft Cable Hanging Kit (Use as desired)
 - » (2) 15' aircraft cables with tapped base coupler & hardware (for surface mount)
 - » (2) 15' aircraft cables with looped end
 - » (2) Fixed aircraft cable grippers
 - » (2) Adjustable "Y" cable grippers
- (1) Fixture Linking Bracket (Not used for single fixture installs)

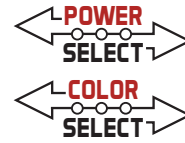


Hanging using fixed aircraft cable grippers



Hanging using adjustable "Y" cable grippers



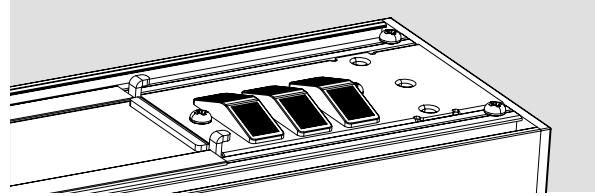


KT-LALEDXXPS-YA-8CSF-VDIM

LINEAR DIRECT/INDIRECT SHAPES

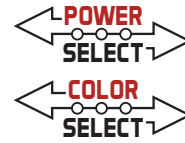
SELECTABLE SETTINGS

- Keystone Power Select Technology: Select between 3 different wattage settings per fixture
- Keystone Color Select Technology: Select between 5 different CCT settings per fixture (2700K, 3000K, 3500K, 4000K, 5000K)
- Select Lighting Mode: 100% down, 70% down/30% up, 50% down/50% up



DETAILED PRODUCT SPECIFICATIONS & PHOTOMETRICS

PHOTOMETRICS PENDING



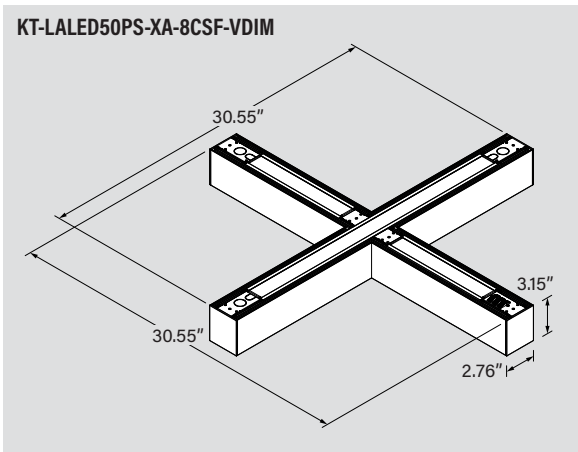
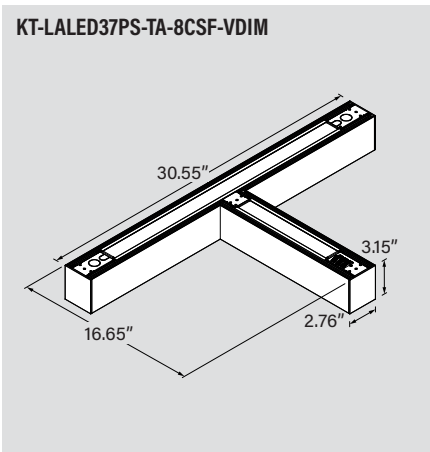
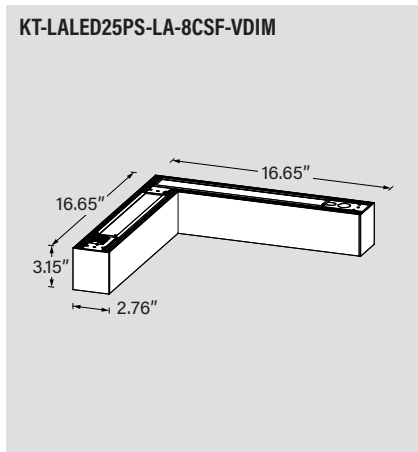
KT-LALEDXXPS-YA-8CSF-VDIM

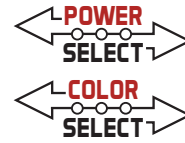
LINEAR DIRECT/INDIRECT SHAPES

DETAILED PRODUCT SPECIFICATIONS & PHOTOMETRICS (continued)

PHOTOMETRICS PENDING

PHYSICAL SPECIFICATIONS



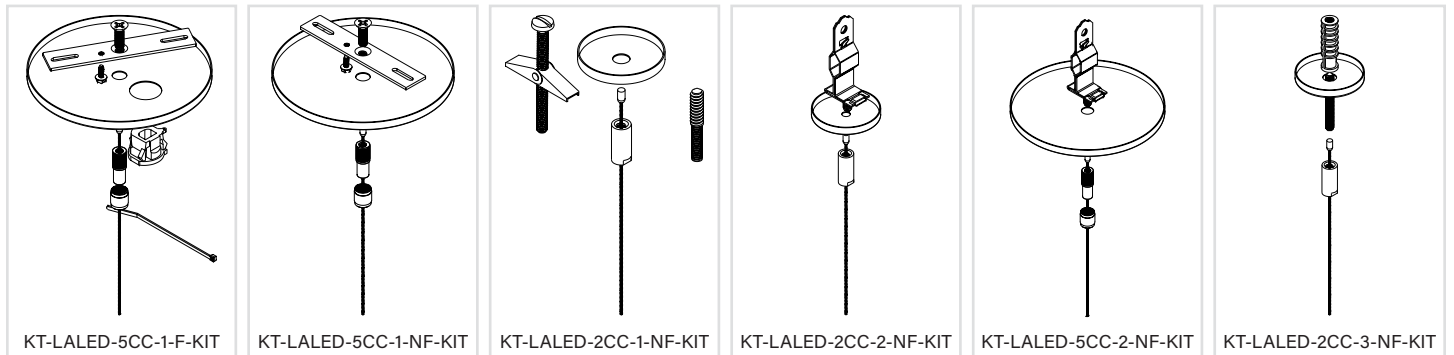


KT-LALEDXXPS-YA-8CSF-VDIM

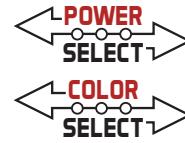
LINEAR DIRECT/INDIRECT SHAPES

PENDANT MOUNT CORE INSTALLATION ACCESSORIES (SOLD SEPARATELY)

CATALOG NUMBER	DESCRIPTION	UPC	EASY CODE
ROUND CANOPY KITS			
KT-LALED-5CC-1-F-KIT	Canopy Cover Feed Kit, J-Box Mount 5" Circular White. Includes (1) 15' aircraft cable with 2 piece cable coupler, (1) 5" power feed circular canopy, (1) Crossbar w/ 1/4-20 screw, (1) 18/5 SJT sized strain relief, (5) cable ties, (NO POWER CORD INCLUDED)	843654104362	NMY-61
KT-LALED-5CC-1-F-KIT-B	Canopy Cover Feed Kit, J-Box Mount 5" Circular Black. Includes (1) 15' aircraft cable with 2 piece cable coupler, (1) 5" power feed circular canopy, (1) Crossbar w/ 1/4-20 screw, (1) 18/5 SJT sized strain relief, (5) cable ties, (NO POWER CORD INCLUDED)	843654161563	FFY-15
KT-LALED-5CC-1-NF-KIT	Canopy Cover Non-Feed Kit, J-Box / Stud Mount 5" Circular White. Includes (1) 15' aircraft cable with 2 piece cable coupler, (1) 5" non-feed circular canopy, (1) Crossbar w/ 1/4-20 screw	843654104461	TFG-31
KT-LALED-5CC-1-NF-KIT-B	Canopy Cover Non-Feed Kit, J-Box / Stud Mount 5" Circular Black. Includes (1) 15' aircraft cable with 2 piece cable coupler, (1) 5" non-feed circular canopy, (1) Crossbar w/ 1/4-20 screw	843654161570	BSI-54
KT-LALED-2CC-1-NF-KIT	Canopy Cover Non-Feed Kit, Drywall / Stud Mount 2" Circular White. Includes (1) 15' aircraft cable with cable coupler, (1) 2" non-feed circular canopy, (1) 1/4-20 Toggle Bolt Assembly, (1) 1/4-20 Lag Screw	843654104546	RZF-29
KT-LALED-2CC-1-NF-KIT-B	Canopy Cover Non-Feed Kit, Drywall / Stud Mount 2" Circular Black. Includes (1) 15' aircraft cable with cable coupler, (1) 2" non-feed circular canopy, (1) 1/4-20 Toggle Bolt Assembly, (1) 1/4-20 Lag Screw	843654161587	YCO-17
KT-LALED-2CC-2-NF-KIT	Canopy Cover Non-Feed Kit, T-Bar Mount 2" Circular White. Includes (1) 15' aircraft cable with 2 piece cable coupler, (1) 2" non-feed circular canopy, (1) Drop Ceiling Clip / Stud	843654104553	UOM-12
KT-LALED-2CC-2-NF-KIT-B	Canopy Cover Non-Feed Kit, T-Bar Mount 2" Circular Black. Includes (1) 15' aircraft cable with 2 piece cable coupler, (1) 2" non-feed circular canopy, (1) Drop Ceiling Clip / Stud	843654161594	LQM-47
KT-LALED-5CC-2-NF-KIT	Canopy Cover Non-Feed Kit, T-Bar Mount 5" Circular White. Includes (1) 15' aircraft cable with 2 piece cable coupler, (1) 5" non-feed circular canopy, (1) Drop Ceiling Clip / Stud	843654104560	YCM-01
KT-LALED-5CC-2-NF-KIT-B	Canopy Cover Non-Feed Kit, T-Bar Mount 5" Circular Black. Includes (1) 15' aircraft cable with 2 piece cable coupler, (1) 5" non-feed circular canopy, (1) Drop Ceiling Clip / Stud	843654161600	CMN-24
KT-LALED-2CC-3-NF-KIT	Canopy Cover Non-Feed Kit, Masonry Mount 2" Circular White. Includes (1) 15' aircraft cable with 2 piece cable coupler, (1) 2" non-feed circular canopy, (1) 1/4-20 Stud (LAG SHIELD NOT INCLUDED)	843654104577	DSO-60
KT-LALED-2CC-3-NF-KIT-B	Canopy Cover Non-Feed Kit, Masonry Mount 2" Circular Black. Includes (1) 15' aircraft cable with 2 piece cable coupler, (1) 2" non-feed circular canopy, (1) 1/4-20 Stud (LAG SHIELD NOT INCLUDED)	843654161617	GWC-30
KT-LALED-CC-UNV-NF-KIT /A	Universal canopy cover Non-Feed kit with included hardware J-box, Stud, T-Bar, Drywall, and Masonry mounts. Separate 2" and 5" circular covers, with 2 piece and 1 piece couplers for covers. White canopy color base.	843654161921	EGC-85
KT-LALED-CC-UNV-NF-KIT-B /A	Universal canopy cover Non-Feed kit with included hardware J-box, Stud, T-Bar, Drywall, and Masonry mounts. Separate 2" and 5" circular covers, with 2 piece and 1 piece couplers for covers. Black canopy color base.	843654161945	DAT-49



CATALOG NUMBER	DESCRIPTION	UPC	EASY CODE
SQUARE CANOPY KITS			
KT-LALED-5SC-1-F-KIT	Canopy Cover Feed Kit, J-Box Mount 5" Square White. Includes (1) 15' aircraft cable with 2 piece cable coupler, (1) 5" power feed square canopy, (1) Crossbar w/ 1/4-20 screw, (1) 18/5 SJT sized strain relief, (5) cable ties, (NO POWER CORD INCLUDED)	843654104584	KVV-92
KT-LALED-5SC-1-F-KIT-B	Canopy Cover Feed Kit, J-Box Mount 5" Square Black. Includes (1) 15' aircraft cable with 2 piece cable coupler, (1) 5" power feed square canopy, (1) Crossbar w/ 1/4-20 screw, (1) 18/5 SJT sized strain relief, (5) cable ties, (NO POWER CORD INCLUDED)	843654161624	GPH-64
KT-LALED-5SC-1-NF-KIT	Canopy Cover Non-Feed Kit, J-Box / Stud Mount 5" Square White. Includes (1) 15' aircraft cable with 2 piece cable coupler, (1) 5" non-feed square canopy, (1) Crossbar w/ 1/4-20 screw	843654104591	ZTR-83

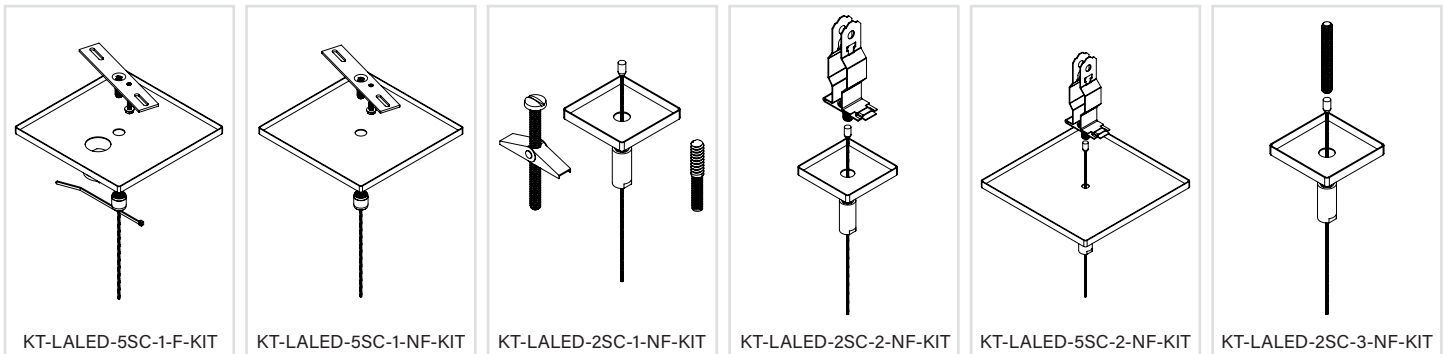


KT-LALEDXXPS-YA-8CSF-VDIM

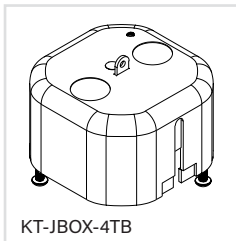
LINEAR DIRECT/INDIRECT SHAPES

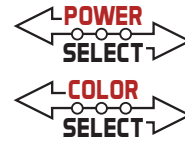
PENDANT MOUNT CORE INSTALLATION ACCESSORIES CONTINUED (SOLD SEPARATELY)

CATALOG NUMBER	DESCRIPTION	UPC	EASY CODE
KT-LALED-5SC-1-NF-KIT-B	Canopy Cover Non-Feed Kit, J-Box / Stud Mount 5" Square Black. Includes (1) 15' aircraft cable with 2 piece cable coupler, (1) 5" non-feed square canopy, (1) Crossbar w/ 1/4-20 screw	843654161631	GBV-15
KT-LALED-2SC-1-NF-KIT	Canopy Cover Non-Feed Kit, Drywall / Stud Mount 2" Square White. Includes (1) 15' aircraft cable with 2 piece cable coupler, (1) 2" non-feed square canopy, (1) 1/4-20 Toggle Bolt Assembly, (1) 1/4-20 Lag Screw	843654104607	NMB-51
KT-LALED-2SC-1-NF-KIT-B	Canopy Cover Non-Feed Kit, Drywall / Stud Mount 2" Square Black. Includes (1) 15' aircraft cable with 2 piece cable coupler, (1) 2" non-feed square canopy, (1) 1/4-20 Toggle Bolt Assembly, (1) 1/4-20 Lag Screw	843654161648	EKF-16
KT-LALED-2SC-2-NF-KIT	Canopy Cover Non-Feed Kit, T-Bar Mount 2" Square White. Includes (1) 15' aircraft cable with 2 piece cable coupler, (1) 2" non-feed square canopy, (1) Drop Ceiling Clip / Stud	843654104683	YJL-51
KT-LALED-2SC-2-NF-KIT-B	Canopy Cover Non-Feed Kit, T-Bar Mount 2" Square Black. Includes (1) 15' aircraft cable with 2 piece cable coupler, (1) 2" non-feed square canopy, (1) Drop Ceiling Clip / Stud	843654161655	TOK-32
KT-LALED-5SC-2-NF-KIT	Canopy Cover Non-Feed Kit, T-Bar Mount 5" Square White. Includes (1) 15' aircraft cable with 2 piece cable coupler, (1) 5" non-feed square canopy, (1) Drop Ceiling Clip / Stud	843654104874	HZZ-53
KT-LALED-5SC-2-NF-KIT-B	Canopy Cover Non-Feed Kit, T-Bar Mount 5" Square Black. Includes (1) 15' aircraft cable with 2 piece cable coupler, (1) 5" non-feed square canopy, (1) Drop Ceiling Clip / Stud	843654161662	VSD-51
KT-LALED-2SC-3-NF-KIT	Canopy Cover Non-Feed Kit, Masonry Mount 2" Square White. Includes (1) 15' aircraft cable with 2 piece cable coupler, (1) 2" non-feed square canopy, (1) 1/4-20 Stud (LAG SHIELD NOT INCLUDED)	843654105055	AHB-20
KT-LALED-2SC-3-NF-KIT-B	Canopy Cover Non-Feed Kit, Masonry Mount 2" Square Black. Includes (1) 15' aircraft cable with 2 piece cable coupler, (1) 2" non-feed square canopy, (1) 1/4-20 Stud (LAG SHIELD NOT INCLUDED)	843654161679	NBH-45
KT-LALED-SC-UNV-NF-KIT /A	Universal canopy cover Non-Feed kit with included hardware J-Box, Stud, T-Bar, Drywall, and Masonry mounts. Separate 2" & 5" square covers , with 2 piece and 1 piece couplers for covers. White canopy color base. No Aircraft Cable included (re-use aircraft cable supplied with each fixture.)	843654161938	OHV-56
KT-LALED-SC-UNV-NF-KIT-B /A	Universal canopy cover Non-Feed kit with included hardware J-Box, Stud, T-Bar, Drywall, and Masonry mounts. Separate 2" & 5" square covers , with 2 piece and 1 piece couplers for covers. Black canopy color base. No Aircraft Cable included (re-use aircraft cable supplied with each fixture.)	843654161952	PNP-83



CATALOG NUMBER	DESCRIPTION	UPC	EASY CODE
J-BOX			
KT-JBOX-4TB	4" Octagon Box / T-Bar Box. (3.5" across flats.) Includes punchouts to slide over T-Bar Grid.	843654105062	IRG-22



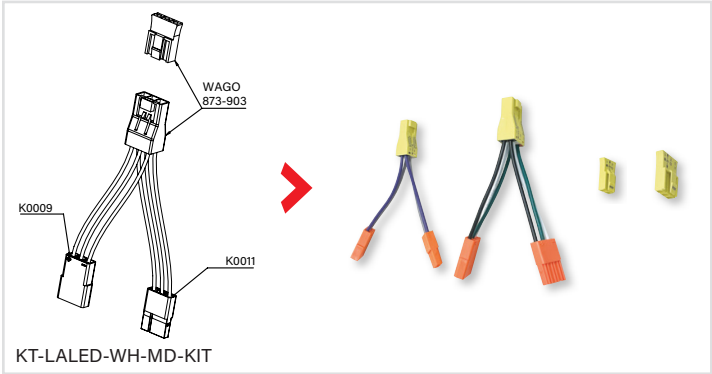
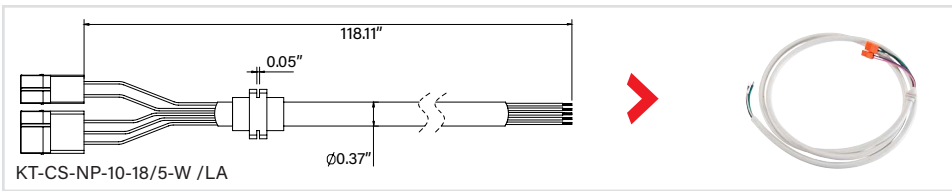


KT-LALEDXXPS-YA-8CSF-VDIM

LINEAR DIRECT/INDIRECT SHAPES

PENDANT MOUNT CORE INSTALLATION ACCESSORIES CONTINUED (SOLD SEPARATELY)

CATALOG NUMBER	DESCRIPTION	UPC	EASY CODE
CORD AND WIRE HARNESS			
KT-CS-NP-10-18/5-W /LA*	10' Input Power Cord, 18/5, 300V SJT White Includes power quick connects and strain relief optimized for KT-LALED fixtures	843654156880	STY-97
KT-CS-NP-10-18/5-B /LA	10' Input Power Cord, 18/5, 300V SJT Black Includes power quick connects and strain relief optimized for KT-LALED fixtures	843654161457	GOL-44
KT-CS-NP-10-18/6-W /LA	10' Input Power Cord, 18/6, 300V SJT White Includes power quick connects and strain relief optimized for KT-LALED fixtures	843654159164	PNQ-23
KT-CS-NP-10-18/6-B /LA	10' Input Power Cord, 18/6, 300V SJT Black Includes power quick connects and strain relief optimized for KT-LALED fixtures	843654159157	GXA-52
KT-LALED-WH-MD-KIT	Wire Harness Kit for Multidirectional Power feed. Used in conjunction with an input power cord, when the feed location is in center of run.	843654158532	DLH-96
KT-CS-515P-6-18/3-W /LA	(For Samples) Cordset with Plug for Linta Fixtures. 125V NEMA 5-15P Straight Blade Plug. 6ft long SJTW cable. 18/3 wire	843654159171	TBX-57

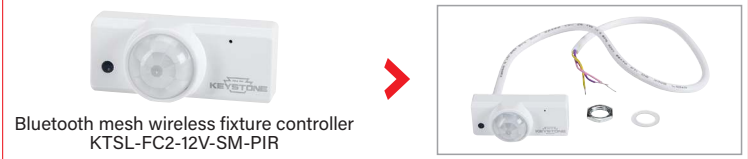


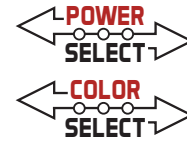
ACCESSORIES

SENSORS

Factory-Installable OR Field-Installable (field-installable purchased separately)

✓	SUFFIX*	CATALOG NUMBER	DESCRIPTION	UPC	EASY CODE
	/FC2	KTSL-FC2-12V-SM-PIR	Bluetooth mesh wireless low voltage individual fixture controller for SmartLoop system with integrated daylight and PIR motion sensors, 12V, 0-10V Dimming	843654135236	TCM-01





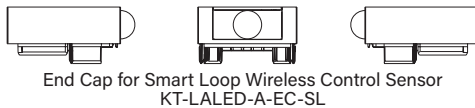
KT-LALEDXXPS-YA-8CSF-VDIM

LINEAR DIRECT/INDIRECT SHAPES

ACCESSORIES (CONTINUED)

Field-Installable / Field-Use ONLY (purchased separately)

CATALOG NUMBER	DESCRIPTION	UPC	EASY CODE
KT-LALED-A-EC-SL	End Cap for Smart Loop Wireless Control Sensor	843654156767	WMK-35
KT-LALED-A-EC-SL-B	End Cap for Series A Linear Arch Fixtures for use with Smartloop KTSL-FC2-12V-SM-PIR	843654161464	LGF-83



* FOR FACTORY INSTALLATION OF ACCESSORY, ADD SUFFIX TO FIXTURE PART NUMBER (SEE ORDERING EXAMPLES AND INSTRUCTIONS ON LAST PAGE OF SPEC SHEET).

**Factory installation of Sensor will automatically include any relevant mounting bracket

***Sensor only compatible with pendant mount hanging installation. Not for use with Wall, Surface, or recessed mount applications

MOUNTS AND BRACKETS

Field-Installable / Field-Use ONLY (purchased separately)

CATALOG NUMBER	DESCRIPTION	UPC	EASY CODE
KT-LALED-A-EC-EM	End Cap for Emergency backup test button	843654156774	DGB-72
KT-LALED-CANOPY-1-KIT	Pair of 5" circular canopy covers, with included hardware to install (1) fixture. One Power Feed one Non-Power Feed. For use with standard J-Box / Stud mount installations. Compatible with aircraft cable hardware included with each fixture	843654156798	ZAW-46
KT-LALED-CABLE-1-KIT	Standard Cable Hanging Kit, suitable for Hard Ceiling or Loop Over Hanging Installations (Replacement for what is included in each fixture)	843654156781	TUV-08
KT-LALED-A-LBR	Linking Bracket for End to End Linear Connections. (Replacement for what is included in each fixture)	843654156804	IAI-11

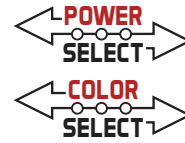
LOUVERS

Field-Installable / Field-Use ONLY (purchased separately)

CATALOG NUMBER	DESCRIPTION	UPC	EASY CODE
KT-LALED-LA-LVR-1-KIT	Hexagonal Louver Kit for L Shape Series A Linear Arch Fixtures. Louver compatible end caps sold separately	843654161839	OUL-45
KT-LALED-TA-LVR-1-KIT	Hexagonal Louver Kit for T Shape Series A Linear Arch Fixtures. Louver compatible end caps sold separately	843654161846	NWZ-74
KT-LALED-XA-LVR-1-KIT	Hexagonal Louver Kit for X Shape Series A Linear Arch Fixtures. Louver compatible end caps sold separately	843654155852	FZR-68
KT-LALED-LA-LVR-2-KIT	Straight Blade Louver Kit for L Shape Series A Linear Arch Fixtures. Louver compatible end caps sold separately	843654158518	QQN-59
KT-LALED-TA-LVR-2-KIT	Straight Blade Louver Kit for T Shape Series A Linear Arch Fixtures. Louver compatible end caps sold separately	843654158525	RRG-31
KT-LALED-XA-LVR-2-KIT	Straight Blade Louver Kit for X Shape Series A Linear Arch Fixtures. Louver compatible end caps sold separately	843654108773	QEF-39
KT-LALED-A-EC-LVR	End Cap for Series A Linear Arch Fixtures for use with all Louver Kits	843654161778	LNM-84
KT-LALED-A-EC-LVR-B	End Cap for Series A Linear Arch Fixtures for use with all Louver Kits Black	843654161785	SCQ-55

ORDERING INFORMATION

CATALOG NUMBER	PACK QUANTITY	WEIGHT	UPC	EASY CODE
KT-LALED25PS-LA-8CSF-VDIM	1	TBD	843654159942	GOP-47
KT-LALED37PS-TA-8CSF-VDIM	1	TBD	843654159959	LNK-73
KT-LALED50PS-XA-8CSF-VDIM	1	TBD	843654159966	BRG-85
KT-LALED25PS-LA-8CSF-VDIM-B	1	TBD	843654161426	TNU-00
KT-LALED37PS-TA-8CSF-VDIM-B	1	TBD	843654161433	RYS-02
KT-LALED50PS-XA-8CSF-VDIM-B	1	TBD	843654161440	TQS-65



KT-LALEDXXPS-YA-8CSF-VDIM

LINEAR DIRECT/INDIRECT SHAPES

CATALOG NUMBER BREAKDOWN

KT-LALEDXXPS-YA-8CSF-VDIM

- 1
- 2
- 3
- 4
- 5
- 6
- 7
- 8
- 9
- 10
- 11

- 1 Keystone Technologies**
- 2 Linear Architectural LED Fixture**
- 3 Wattage**
- 4 Power Select**
- 5 Shape**
- 6 Series/Form Factor**
- 7 80 CRI**
- 8 Color Select**
- 9 Color Select Designation**
- 10 0-10V Dimming**
- 11 Housing Color***

3 Wattage

20	20W
30	30W
40	40W
80	80W

5 Shape

L	L-Shape
T	T-Shape
X	X-Shape

9 Color Select Designation

F	2700, 3000, 3500, 4000, 5000K
---	-------------------------------

11 Housing Color*

	White
B	Black (Special Order Only, Extended Lead Times Apply)
S	Silver (Special Order Only, Extended Lead Times Apply)



*White Standard. Other finishes available, lead times apply. Contact Keystone sales rep for details/options on colors other than white.

ORDERING EXAMPLES

FIXTURE WITH SINGLE FACTORY-INSTALLED ACCESSORY
KT-LALEDXXPS-YA-8CSF-VDIM/FC2

FIXTURE WITH NO FACTORY-INSTALLED ACCESSORIES
KT-LALEDXXPS-YA-8CSF-VDIM

KEYSTONE FIXTURE
CATALOG NUMBER
KT-LALEDXXPS-YA-8CSF-VDIM

SENSORS AND CONTROLLERS		
<input checked="" type="checkbox"/>	SUFFIX	CATALOG NUMBER
<input checked="" type="checkbox"/>	/FC2	KTSL-FC2-12V-SM-PIR

* When ordering more than one factory-installed accessory, use multiple suffixes as shown in the ordering examples above.
 Note: All accessories can also be ordered separately for field installation using just their regular Catalog Number, UPC, or Easy Code.