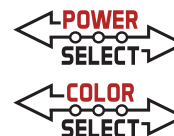




XFIT



KT-RHLEDXXXPS-1XC-8CSB-VDIM-X /G2

ROUND LED HIGH BAY FIXTURE

DESCRIPTION

Compact Round LED High Bay Fixture | Wet Location Rated

APPLICATION

Used for commercial and industrial high bay lighting applications



10 YEAR
LIMITED WARRANTY



PRODUCT FEATURES

- Keystone Power Select technology. (see Performance Specifications for details)
- Features Keystone Color Select technology. Adjust CCT between 3000K, 4000K, or 5000K
- Sensor Receptacle designed to accept easy screw-in installation of optional sensors
- Powered by Keystone 0–10V dimming LED driver
- O-Bolt and J-Hook mounting accessories included
- 6' cord for input and dimming wires
- Powder-coated aluminum housing; Polycarbonate lens
- Ribbed lens to reduce glare
- Low optical flicker
- Built-in 6kV surge protection
- LED lifetime: L70 >100,000 hours @ 25°C fixture ambient
- Ambient operating temperature: –40°C/–40°F to 50°C/122°F
- IP65 rated, wet location

PERFORMANCE SPECIFICATIONS OVERVIEW

| Catalog Number | Nominal Size | Wattage | CCT | Lumens | Efficacy | Input Voltage | Housing Color |
|---------------------------------|--------------|--------------|-------------------------|--------|----------|---------------|-----------------------------------|
| KT-RHLED100PS-11C-8CSB-VDIM /G2 | 11" Circular | 100/70/50W | 3000K 4000K 5000K | 15,290 | 150 lm/W | 120–277V | Black or white finishes available |
| KT-RHLED150PS-11C-8CSB-VDIM /G2 | 11" Circular | 150/100/70W | | 22,490 | 150 lm/W | | |
| KT-RHLED200PS-12C-8CSB-VDIM /G2 | 12" Circular | 200/150/100W | | 31,640 | 158 lm/W | | |
| KT-RHLED240PS-13C-8CSB-VDIM /G2 | 13" Circular | 240/200/150W | | 37,010 | 156 lm/W | | |

Nominal Values above represent output when set to 5000K, please see page 3 for detailed output numbers

Note: Color uniformity: CCT (Correlated Color Temperature) range as per guidelines outlined in ANSI C78.377-2017

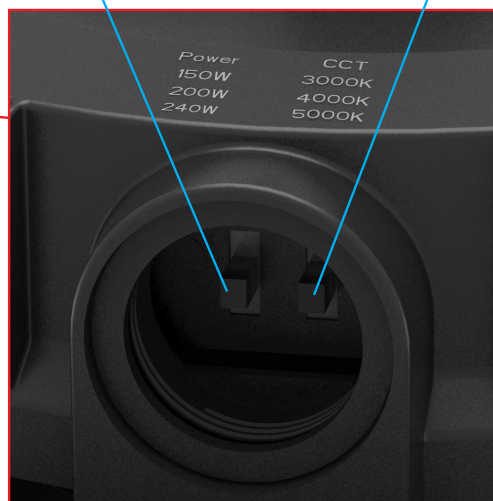
POWER SELECTION AND COLOR TEMPERATURE SELECTION CAPABILITY

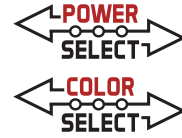
KEYSTONE POWER SELECT TECHNOLOGY

Adjust power between 240W, 200W, or 150W

KEYSTONE COLOR SELECT TECHNOLOGY

Adjust CCT between 3000K, 4000K, or 5000K





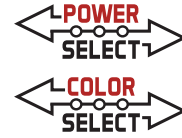
KT-RHLEDXXXPS-1XC-8CSB-VDIM-X /G2

ROUND LED HIGH BAY FIXTURE

PERFORMANCE SPECIFICATIONS DETAILED

| Catalog Number | Nominal Size | Wattage | CCT | Lumens | Efficacy | Input Voltage | Dimmable | CRI | Housing Color |
|--|--------------|---------|-------|--------|----------|---------------|----------|------|-----------------------------------|
| KT-RHLED100PS-11C-8CSB-VDIM /G2 KT-RHLED100PS-11C-8CSB-VDIM-W /G2 | 11" Circular | 100W | 3000K | 14,480 | 140 lm/W | 120-277V | 0-10V | > 80 | Black or white finishes available |
| | | | 4000K | 16,230 | 164 lm/W | | | | |
| | | | 5000K | 15,290 | 150 lm/W | | | | |
| | | 70W | 3000K | 10,920 | 149 lm/W | | | | |
| | | | 4000K | 12,050 | 169 lm/W | | | | |
| | | | 5000K | 11,680 | 159 lm/W | | | | |
| | | 50W | 3000K | 7,780 | 155 lm/W | | | | |
| | | | 4000K | 8,430 | 171 lm/W | | | | |
| | | | 5000K | 8,330 | 166 lm/W | | | | |
| KT-RHLED150PS-11C-8CSB-VDIM /G2 KT-RHLED150PS-11C-8CSB-VDIM-W /G2 | 11" Circular | 150W | 3000K | 21,290 | 141 lm/W | 120-277V | 0-10V | > 80 | Black or white finishes available |
| | | | 4000K | 23,580 | 163 lm/W | | | | |
| | | | 5000K | 22,490 | 150 lm/W | | | | |
| | | 100W | 3000K | 14,740 | 154 lm/W | | | | |
| | | | 4000K | 16,090 | 171 lm/W | | | | |
| | | | 5000K | 15,810 | 165 lm/W | | | | |
| | | 70W | 3000K | 11,030 | 159 lm/W | | | | |
| | | | 4000K | 11,910 | 175 lm/W | | | | |
| | | | 5000K | 11,850 | 171 lm/W | | | | |
| KT-RHLED200PS-12C-8CSB-VDIM /G2 KT-RHLED200PS-12C-8CSB-VDIM-W /G2 | 12" Circular | 200W | 3000K | 29,350 | 147 lm/W | 120-277V | 0-10V | > 80 | Black or white finishes available |
| | | | 4000K | 32,330 | 168 lm/W | | | | |
| | | | 5000K | 31,640 | 158 lm/W | | | | |
| | | 150W | 3000K | 23,440 | 155 lm/W | | | | |
| | | | 4000K | 25,350 | 173 lm/W | | | | |
| | | | 5000K | 25,010 | 166 lm/W | | | | |
| | | 100W | 3000K | 15,710 | 162 lm/W | | | | |
| | | | 4000K | 16,660 | 178 lm/W | | | | |
| | | | 5000K | 16,780 | 174 lm/W | | | | |
| KT-RHLED240PS-13C-8CSB-VDIM /G2 KT-RHLED240PS-13C-8CSB-VDIM-W /G2 | 13" Circular | 240W | 3000K | 34,330 | 144 lm/W | 120-277V | 0-10V | > 80 | Black or white finishes available |
| | | | 4000K | 37,920 | 167 lm/W | | | | |
| | | | 5000K | 37,010 | 156 lm/W | | | | |
| | | 200W | 3000K | 30,400 | 148 lm/W | | | | |
| | | | 4000K | 33,520 | 170 lm/W | | | | |
| | | | 5000K | 32,920 | 161 lm/W | | | | |
| | | 150W | 3000K | 24,960 | 155 lm/W | | | | |
| | | | 4000K | 26,950 | 172 lm/W | | | | |
| | | | 5000K | 26,920 | 167 lm/W | | | | |

Note: Color uniformity: CCT (Correlated Color Temperature) range as per guidelines outlined in ANSI C78.377-2017

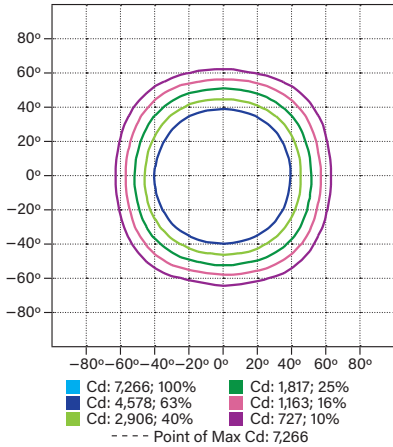


KT-RHLEDXXXPS-1XC-8CSB-VDIM-X /G2

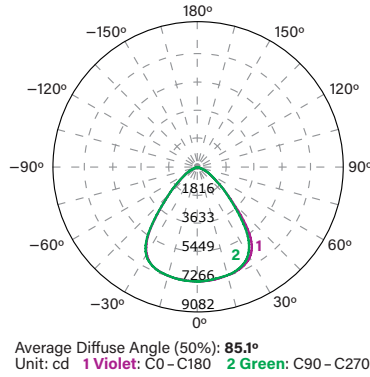
ROUND LED HIGH BAY FIXTURE

PHOTOMETRIC SPECIFICATIONS (KT-RHLED100PS-11C-8CSB-VDIM /G2, KT-RHLED100PS-11C-8CSB-VDIM-W /G2)

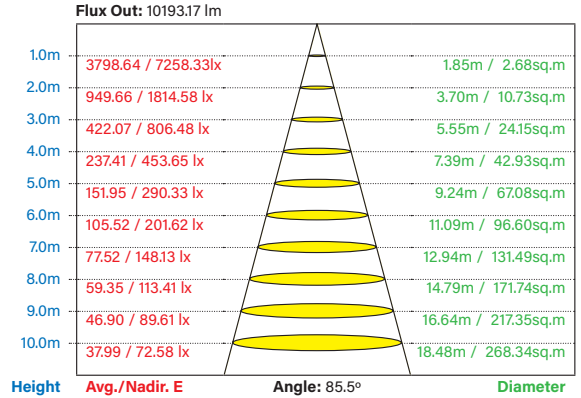
ISOCANDELA PLOT



POLAR CANDELA DISTRIBUTION

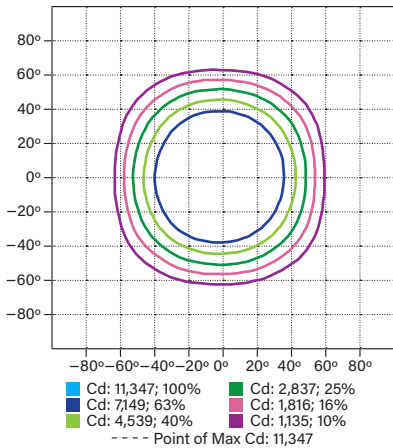


AVERAGE ILLUMINANCE EFFECTIVE FIGURE

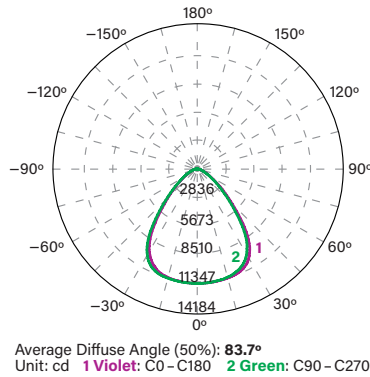


PHOTOMETRIC SPECIFICATIONS (KT-RHLED150PS-11C-8CSB-VDIM /G2, KT-RHLED150PS-11C-8CSB-VDIM-W /G2)

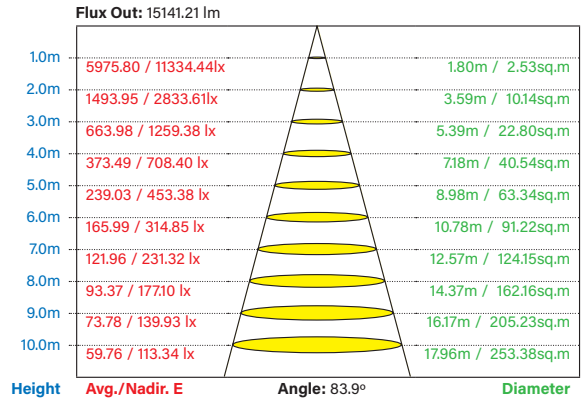
ISOCANDELA PLOT



POLAR CANDELA DISTRIBUTION

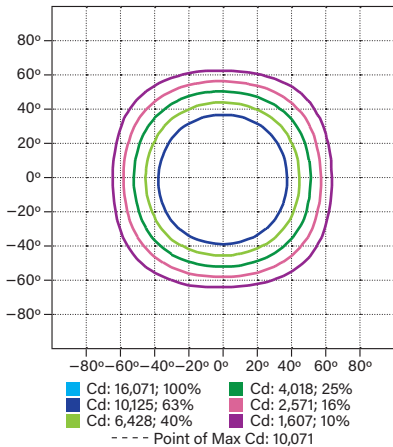


AVERAGE ILLUMINANCE EFFECTIVE FIGURE

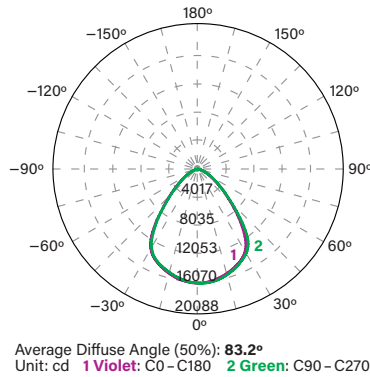


PHOTOMETRIC SPECIFICATIONS (KT-RHLED200PS-12C-8CSB-VDIM /G2, KT-RHLED200PS-12C-8CSB-VDIM-W /G2)

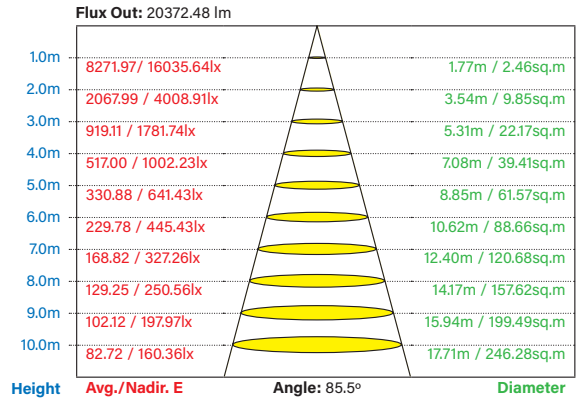
ISOCANDELA PLOT

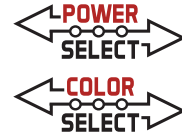


POLAR CANDELA DISTRIBUTION



AVERAGE ILLUMINANCE EFFECTIVE FIGURE



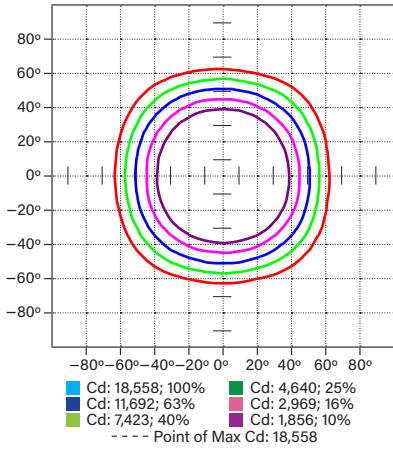


KT-RHLEDXXXPS-1XC-8CSB-VDIM-X /G2

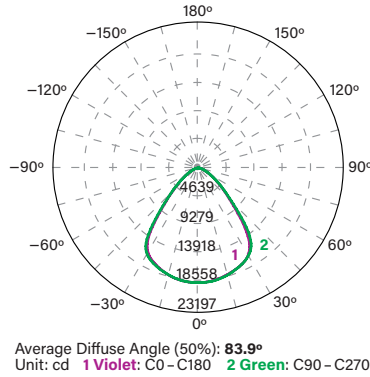
ROUND LED HIGH BAY FIXTURE

PHOTOMETRIC SPECIFICATIONS (KT-RHLED240PS-13C-8CSB-VDIM /G2, KT-RHLED240PS-13C-8CSB-VDIM-W /G2)

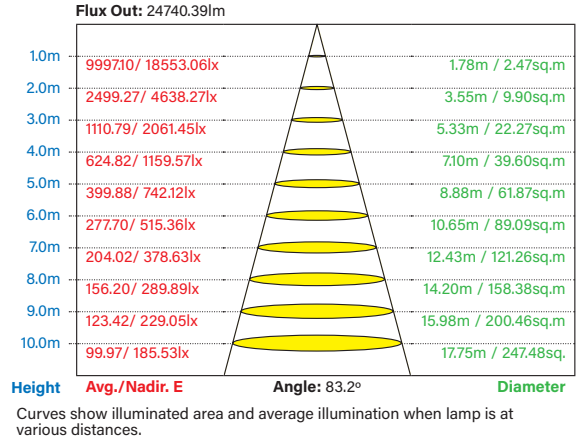
ISOCANDELA PLOT



POLAR CANDELA DISTRIBUTION



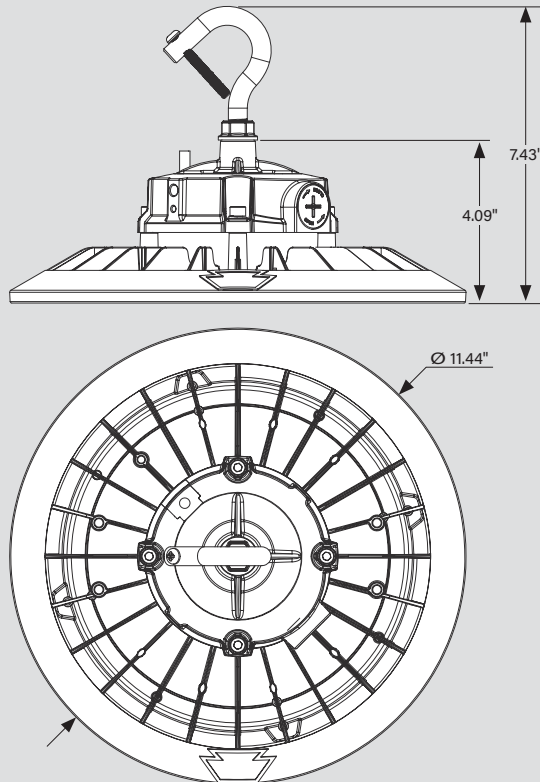
AVERAGE ILLUMINANCE EFFECTIVE FIGURE



PHYSICAL SPECIFICATIONS

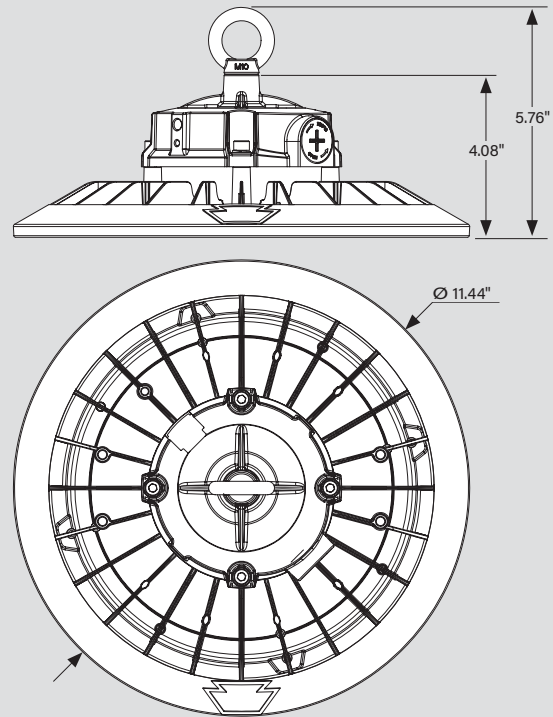
J-HOOK

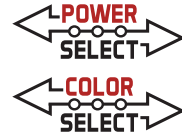
KT-RHLED100PS-11C-8CSB-VDIM-X /G2
 KT-RHLED150PS-11C-8CSB-VDIM-X /G2



O-BOLT

KT-RHLED100PS-11C-8CSB-VDIM-X /G2
 KT-RHLED150PS-11C-8CSB-VDIM-X /G2





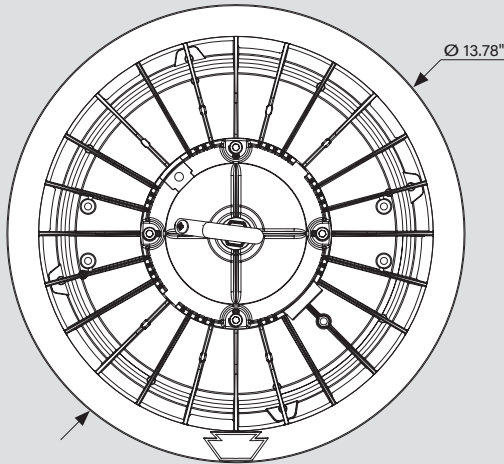
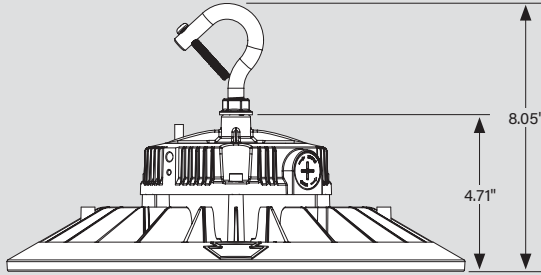
KT-RHLEDXXXPS-1XC-8CSB-VDIM-X /G2

ROUND LED HIGH BAY FIXTURE

PHYSICAL SPECIFICATIONS

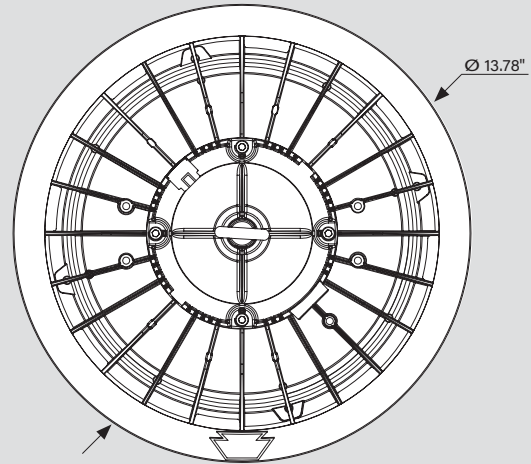
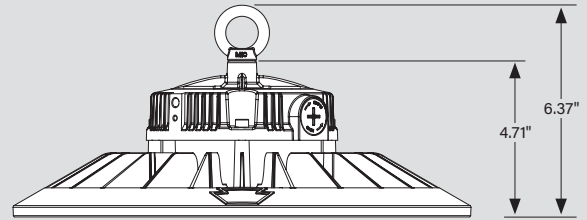
J-HOOK

KT-RHLED200PS-12C-8CSB-VDIM-X /G2
 KT-RHLED240PS-13C-8CSB-VDIM-X /G2



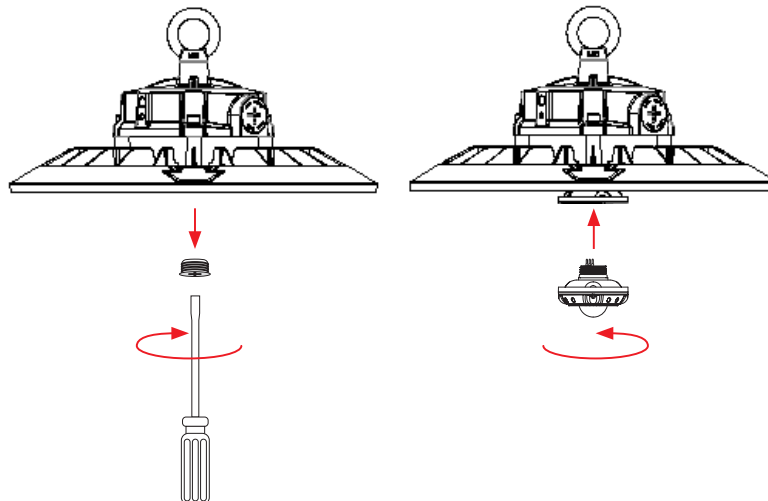
O-BOLT

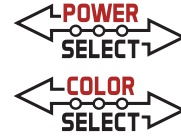
KT-RHLED200PS-12C-8CSB-VDIM-X /G2
 KT-RHLED240PS-13C-8CSB-VDIM-X /G2



QUICK-INSTALL

1. Ensure power is off to the fixture.
2. Remove 1/2" knock-out (KO) plug.
3. Screw in sensor head. (see illustrations)
4. Re-connect power when ready.
5. Program desired settings as needed with Keystone Remote Control.





KT-RHLEDXXXPS-1XC-8CSB-VDIM-X /G2

ROUND LED HIGH BAY FIXTURE

ACCESSORIES (continued)

SENSORS

Factory-Installable OR Field-Installable (field-installable purchased separately)

| ✓ | SUFFIX* | CATALOG NUMBER | DESCRIPTION | UPC | EASY CODE |
|---|---------|----------------------|---|--------------|-----------|
| | /FC3** | KTSL-FC3-12V-PKO-PIR | Bluetooth mesh screw-in PIR occupancy sensor with built-in fixture controller for SmartLoop LLLC system | 843654138862 | OCW-60 |
| | /FC4 | KTSL-FC4-12V-PKO | Bluetooth mesh screw-in PIR occupancy sensor with built-in fixture controller for SmartLoop LLLC system | 843654149066 | RUN-10 |
| | /PIR | KTS-PIR3-12V-PKO /G2 | Screw-in PIR multifunction sensor, preset for 10 min hold time, ∞ min standby time at 50% dim, daylight | 843654146447 | GLF-99 |
| | /MW3 | KTS-MW3-12V-PKO | Screw-in microwave multifunction sensor, preset for 10 min hold time, ∞ min standby time at 50% dim, daylight disable | 843654135212 | TRM-32 |

* For factory installation of accessory, add suffix to fixture part number (see ordering examples and instructions on last page of spec sheet).

** When installing on Keystone highbay lights and an IP tight connection is desired, use the large gasket provided with the sensor to ensure proper electrical connection and water tight seal. Hand tighten only.



Field-Installable / Field-Use ONLY (purchased separately)

| CATALOG NUMBER | DESCRIPTION | UPC | EASY CODE |
|-----------------------|---|--------------|-----------|
| KTS-MW3-REMOTECONTROL | Remote control for KTS-MW3-12V-PKO and KTS-PIR3-12V-PKO sensors, used to set and adjust all sensor settings | 843654132020 | XSR-61 |

CORD SETS & PLUGS

Factory-Installable OR Field-Installable (field-installable purchased separately)

| ✓ | SUFFIX* | CATALOG NUMBER | DESCRIPTION | UPC | EASY CODE |
|---|---------|----------------|----------------------------------|--------------|-----------|
| | /L515P | KT-P-L515P | 125V NEMA L5-15P twist lock plug | 843654123486 | GEW-06 |
| | /L615P | KT-P-L615P | 250V NEMA L6-15P twist lock plug | 843654138619 | VPX-09 |
| | /L715P | KT-P-L715P | 277V NEMA L7-15P twist lock plug | 843654123493 | ETV-78 |

* For factory installation of accessory, add suffix to fixture part number (see ordering examples and instructions on last page of spec sheet).

Note: For cord sets not listed here, please contact your Keystone sales rep.

EMERGENCY BACKUP

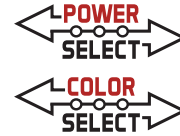
Factory-Installable OR Field-Installable (field-installable purchased separately)

| ✓ | SUFFIX* | CATALOG NUMBER | DESCRIPTION | UPC | EASY CODE |
|---|---------|-------------------------------|--|--------------|-----------|
| | /EM | KT-EMRG-LED-40SD-5000-CEN /SF | One Piece 40W Constant Wattage Design with Self Diagnostics. Approx 5000 lumens, Single Flex Cable with Included J-Box, 120-277V Input. CEC T20 Compliant. | 843654144320 | UGW-62 |

* For factory installation of accessory, add suffix to fixture part number (see ordering examples and instructions on last page of spec sheet).

† Factory installation of emergency backup units will automatically include any relevant mounting bracket.

(Accessories continued on next page)



KT-RHLEDXXXPS-1XC-8CSB-VDIM-X /G2

ROUND LED HIGH BAY FIXTURE

ACCESSORIES (continued)

MOUNTS AND BRACKETS

Field-Installable / Field-Use ONLY (purchased separately)

| ✓ | SUFFIX* | CATALOG NUMBER | DESCRIPTION | UPC | EASY CODE |
|---|---------|-------------------------|---|--------------|-----------|
| | | KT-RHLED-JBOX-PM /G2 | J-Box Optimized for Pole Pendant and Step-Down Transformer Applications. | 843654133300 | RAQ-94 |
| | | KT-RHLED-JBOX-PM-W /G2 | J-Box Optimized for Pole Pendant and Step-Down Transformer Applications. White. | 843654138756 | IDT-59 |
| | | KT-RHLED-WG-1-KIT /G2 | Wire guard kit for for 100W and 150W Color & Power Select G2 Round LED High Bay Fixtures; Includes mounting hardware. | 843654133263 | NPV-09 |
| | | KT-RHLED-WG-2-KIT /G2 | Wire guard kit for for 200W and 240W Color & Power Select G2 Round LED High Bay Fixtures; Includes mounting hardware. | 843654133270 | PHU-26 |
| | | KT-RHLED-SM-1-KIT /G2 | Surface Mount Kit for 100W and 150W Color & Power Select G2 Round LED High Bay Fixtures. Mounting Hardware Included. | 843654133249 | JXD-63 |
| | | KT-RHLED-SM-1-KIT-W /G2 | Surface Mount Kit for 100W and 150W Color & Power Select G2 Round LED High Bay Fixtures. Mounting Hardware Included. White. | 843654162850 | XLA-73 |
| | | KT-RHLED-SM-2-KIT /G2 | Surface Mount Kit for 200W and 240W Color & Power Select G2 Round LED High Bay Fixtures. Mounting Hardware Included. | 843654133256 | BLT-11 |
| | | KT-RHLED-SM-2-KIT-W /G2 | Surface Mount Kit for 200W and 240W Color & Power Select G2 Round LED High Bay Fixtures. Mounting Hardware Included. White. | 843654138763 | UJS-44 |



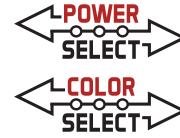
STEP-DOWN TRANSFORMERS

Factory-Installable OR Field-Installable (field-installable purchased separately)

| ✓ | SUFFIX* | CATALOG NUMBER | DESCRIPTION | UPC | EASY CODE |
|---|-------------------|----------------------|--|--------------|-----------|
| | /480 [†] | KTAT-250-480-277 /SF | Fully enclosed, single flex step-down transformer for LED high bay fixtures (250VA or lower) | 843654102931 | XIM-17 |



* For factory installation of accessory, add suffix to fixture part number (see ordering examples and instructions on last page of spec sheet).
[†] Factory installation of step-down transformer units will automatically include any relevant mounting bracket.



KT-RHLEDXXXPS-1XC-8CSB-VDIM-X /G2

ROUND LED HIGH BAY FIXTURE

LENSES

Field-Installable / Field-Use ONLY (purchased separately)

| ✓ | SUFFIX* | CATALOG NUMBER | DESCRIPTION | UPC | EASY CODE |
|---|---------|-------------------------|--|--------------|-----------|
| | | KT-RHLED-AR90-1-KIT /G2 | Aluminum Dome Reflector for 100W and 150W Color & Power Select G2 Round LED High Bay Fixtures; Includes mounting hardware. | 843654133287 | ZOV-89 |
| | | KT-RHLED-AR90-2-KIT /G2 | Aluminum Dome Reflector for 200W and 240W Color & Power Select G2 Round LED High Bay Fixtures; Includes mounting hardware. | 843654133294 | GBN-40 |
| | | KT-RHLED-CL90-1-KIT /G2 | Clear Polycarbonate Reflector for 100W and 150W Color & Power Select G2 Round LED High Bay Fixtures; Includes mounting hardware. | 843654133614 | FVZ-16 |
| | | KT-RHLED-CL90-2-KIT /G2 | Clear Polycarbonate Reflector for 200W and 240W Color & Power Select G2 Round LED High Bay Fixtures; Includes mounting hardware. | 843654133621 | SFZ-16 |

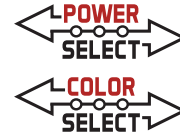


* Screw in PIR sensors can not be used with KT-RHLED-CL90-2-KIT /G2

ORDERING INFORMATION

| ORDER CODE | PACK QTY. | UPC | Easy Code |
|-----------------------------------|-----------|--------------|-----------|
| KT-RHLED100PS-11C-8CSB-VDIM /G2 | 1 | 843654160825 | VZG-04 |
| KT-RHLED100PS-11C-8CSB-VDIM-W /G2 | 1 | 843654160863 | AKY-89 |
| KT-RHLED150PS-11C-8CSB-VDIM /G2 | 1 | 843654160832 | FXZ-79 |
| KT-RHLED150PS-11C-8CSB-VDIM-W /G2 | 1 | 843654160870 | HJX-98 |
| KT-RHLED200PS-12C-8CSB-VDIM /G2 | 1 | 843654160849 | ENH-80 |
| KT-RHLED200PS-12C-8CSB-VDIM-W /G2 | 1 | 843654160887 | FXR-90 |
| KT-RHLED240PS-13C-8CSB-VDIM /G2 | 1 | 843654160856 | CXC-07 |
| KT-RHLED240PS-13C-8CSB-VDIM-W /G2 | 1 | 843654160894 | PWY-88 |

(Ordering Information continued on next page)



KT-RHLEDXXXPS-1XC-8CSB-VDIM-X /G2

ROUND LED HIGH BAY FIXTURE

CATALOG NUMBER BREAKDOWN

KT-RHLEDXXXPS-1XC-8CSB-VDIM-X /G2

| | | | | | | | | | | | | | | | | | | | | | |
|--------------------------------|--|------------------------------------|--|------------------|--|---------------------------|--|--------------------------------|--|-----------------|--|---------------------------|--|-----------------------------------|--|------------------------|--|-------------------------|--|--------------------------|--------------|
| 1 | | 2 | | 3 | | 4 | | 5 | | 6 | | 7 | | 8 | | 9 | | 10 | | 11 | |
| 1 Keystone Technologies | | 2 Round Highbay LED Fixture | | 3 Wattage | | 4 Power Selectable | | 5 Circular Nominal Size | | 6 80 CRI | | 7 Color Selectable | | 8 Color Select Designation | | 9 0-10V Dimming | | 10 Housing Color | | 11 2nd Generation | |
| | | | | | | | | | | | | | | B 3000K, 4000K, 5000K | | | | W | | Black | |
| | | | | | | | | | | | | | | 5 Size / Shape | | | | | | | White |
| | | | | | | | | | | | | | | 11C | | | | | | | 11" Circular |
| | | | | | | | | | | | | | | 12C | | | | | | | 12" Circular |
| | | | | | | | | | | | | | | 13C | | | | | | | 13" Circular |

ORDERING EXAMPLES

FIXTURE WITH MULTIPLE FACTORY-INSTALLED ACCESSORIES*

KT-RHLEDXXXPS-1XC-8CSB-VDIM-X /G2 /FC3/L515P/EM/WG/480

FIXTURE WITH MULTIPLE FACTORY-INSTALLED ACCESSORIES*

KT-RHLEDXXXPS-1XC-8CSB-VDIM-X /G2 /FC3/EM/WG

FIXTURE WITH TWO FACTORY-INSTALLED ACCESSORIES*

KT-RHLEDXXXPS-1XC-8CSB-VDIM-X /G2 /FC3/L515P

FIXTURE WITH SINGLE FACTORY-INSTALLED ACCESSORY

KT-RHLEDXXXPS-1XC-8CSB-VDIM-X /G2 /FC3

FIXTURE WITH NO FACTORY-INSTALLED ACCESSORIES

KT-RHLEDXXXPS-1XC-8CSB-VDIM-X /G2

* When ordering more than one factory-installed accessory, use multiple suffixes as shown in the ordering examples above.
 ** When installing on Keystone highbay lights and an IP tight connection is desired, use the xxxx gasket provided with the sensor to ensure proper electrical connection and water tight seal. Hand tighten only.
Note: All accessories can also be ordered separately for field installation using just their regular Catalog Number, UPC, or Easy Code.

KEYSTONE FIXTURE

| CATALOG NUMBER | |
|----------------|-----------------------------------|
| | KT-RHLEDXXXPS-1XC-8CSB-VDIM-X /G2 |

SENSORS

| ✓ SUFFIX | CATALOG NUMBER |
|----------|----------------------|
| /FC3** | KTSL-FC3-12V-PKO-PIR |

CORD SETS

| ✓ SUFFIX | CATALOG NUMBER |
|----------|----------------|
| /L515P | KT-P-L515P |

EMERGENCY BACKUP

| ✓ SUFFIX | CATALOG NUMBER |
|----------|-------------------------------|
| /EM | KT-EMRG-LED-40SD-5000-CEN /SF |

MOUNTS AND BRACKETS

| ✓ SUFFIX | CATALOG NUMBER |
|----------|-----------------------|
| /WG | KT-RHLED-WG-2-KIT /G2 |

STEP DOWN TRANSFORMER

| ✓ SUFFIX | CATALOG NUMBER |
|----------|----------------------|
| /480 | KTAT-250-480-277 /SF |