

# INSTALLATION AND ASSEMBLY INSTRUCTIONS

## LXLW LED SERIES



Damp Locations  
Wall & Ceiling Mount

**SAVE THESE INSTRUCTIONS AND DELIVER TO OWNER AFTER INSTALLATION**

### **BEFORE YOU BEGIN**

**Read these instructions completely and carefully, observing all CAUTIONS and WARNINGS shown throughout these instructions.**

#### **WARNING! RISK OF ELECTRIC SHOCK**

- Disconnect or turn off power before installation or servicing.
- Verify that supply voltage is correct by comparing it with the luminaire label information.
- Make all electrical and grounded connections in accordance with the National Electrical Code (NEC) and any applicable local code requirements.

#### **CAUTION: RISK OF INJURY**

- Wear gloves and safety glasses at all times when removing luminaire from carton, installing, servicing or performing maintenance.
- Allow lamp/luminaire/driver to cool before handling.

#### **NOTICE: RISK OF PRODUCT DAMAGE- Failure to follow instructions could result in damage to product and void ALL warranties!**

- Only use fixture on ceilings or walls.
- Never connect components under load.
- Do NOT mount or support these fixtures in a manner that can cut the outer jacket or damage wire insulation.
- Do NOT restrict fixture ventilation. Allow for some volume of airspace around fixture. Avoid covering LED fixtures with insulation, foam, or other material that will prevent convection or conduction cooling.
- Do NOT exceed fixtures maximum ambient temperature rating.
- Do NOT install outdoors.

#### **CLEANING INSTRUCTIONS**

- It will occasionally be necessary to clean the outside of the lens. Frequency of cleaning will depend on ambient dirt level and minimum light output which is acceptable to the user.
- Lens should be wiped with a DAMP cloth with a solution of warm water and a mild, non-abrasive household detergent. Dry with soft, dry, clean cloth.
- Do NOT use chemical cleaners such as powder cleansers, bleach, etc.
- Do NOT use scouring pads, as this will scratch and damage the lens finish.
- Do NOT wipe with a soiled cloth or wet towel - these may leave a residue that can damage finish.
- Do NOT pressure wash or hose down luminaire or driver.
- Do NOT immerse in water.



A Company with a Smart Vision

LSI Industries Inc. 10000 Alliance Road  
487742 Rev. 12/11

Cincinnati, Ohio 45242

(513) 793-3200  
1 / 5

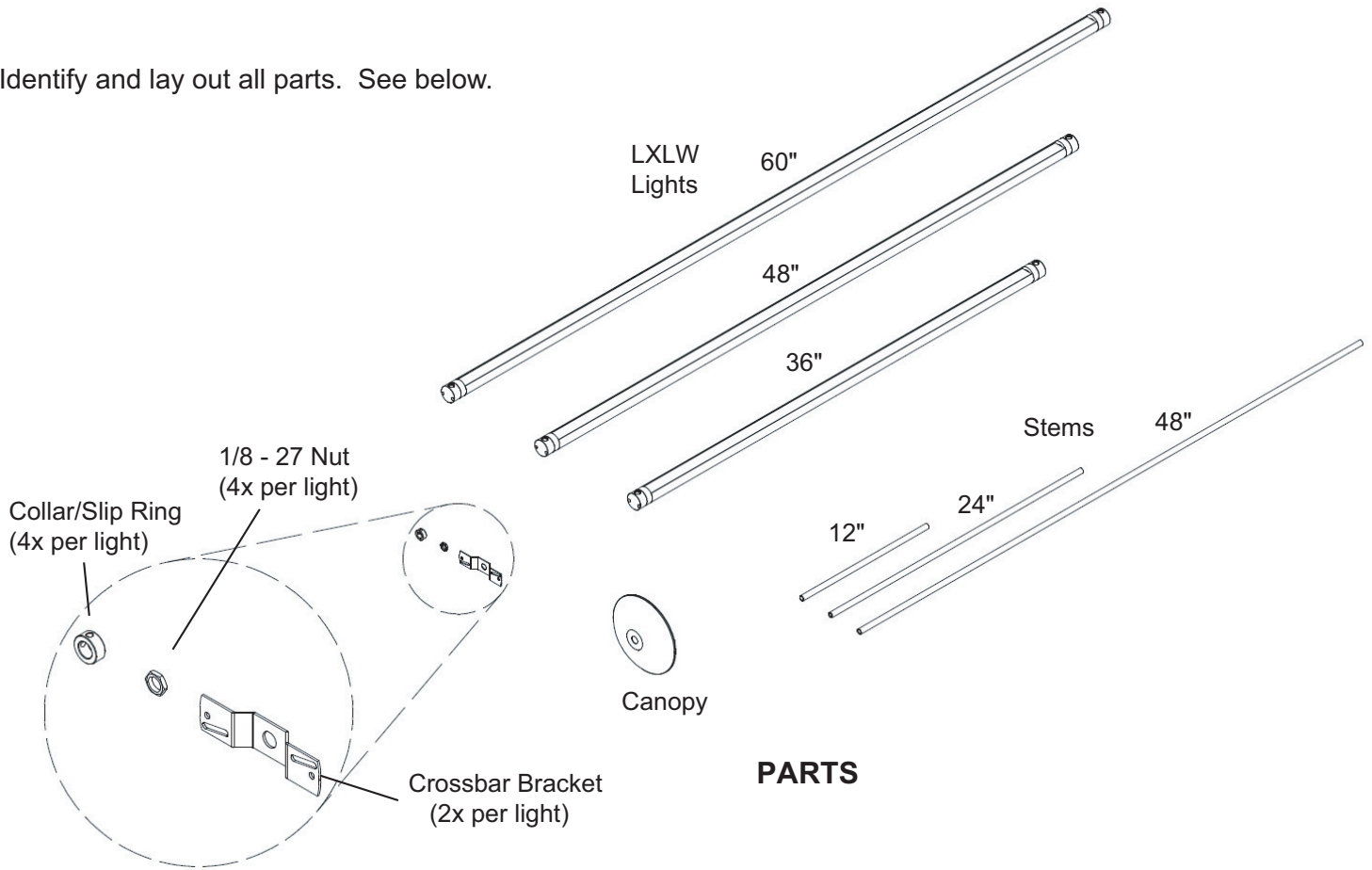
Fax (513) 793-0147

www.lsi-industries.com

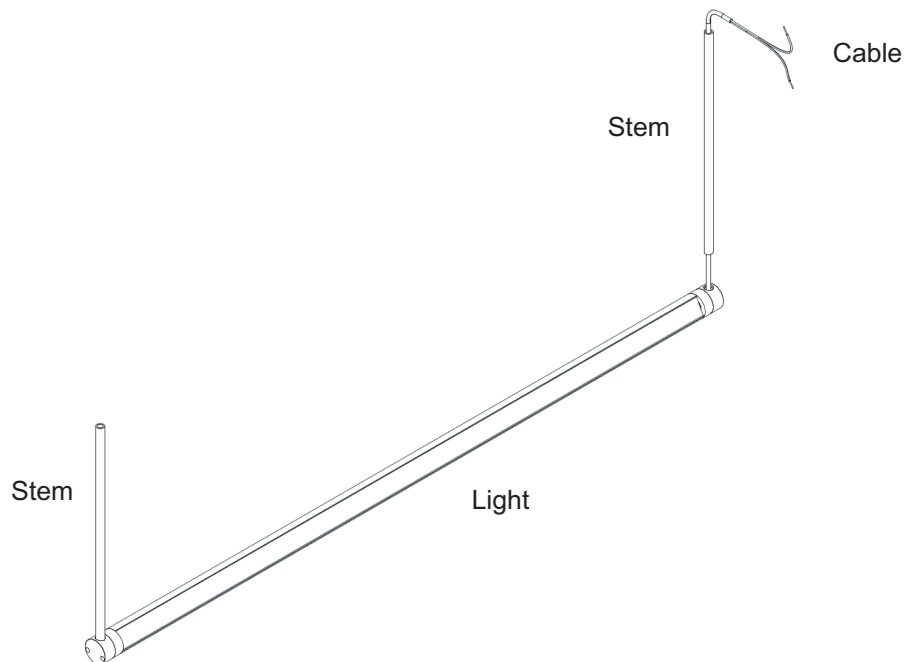
©2011 LSI Industries Inc.

# LXLW SERIES, cont'd.

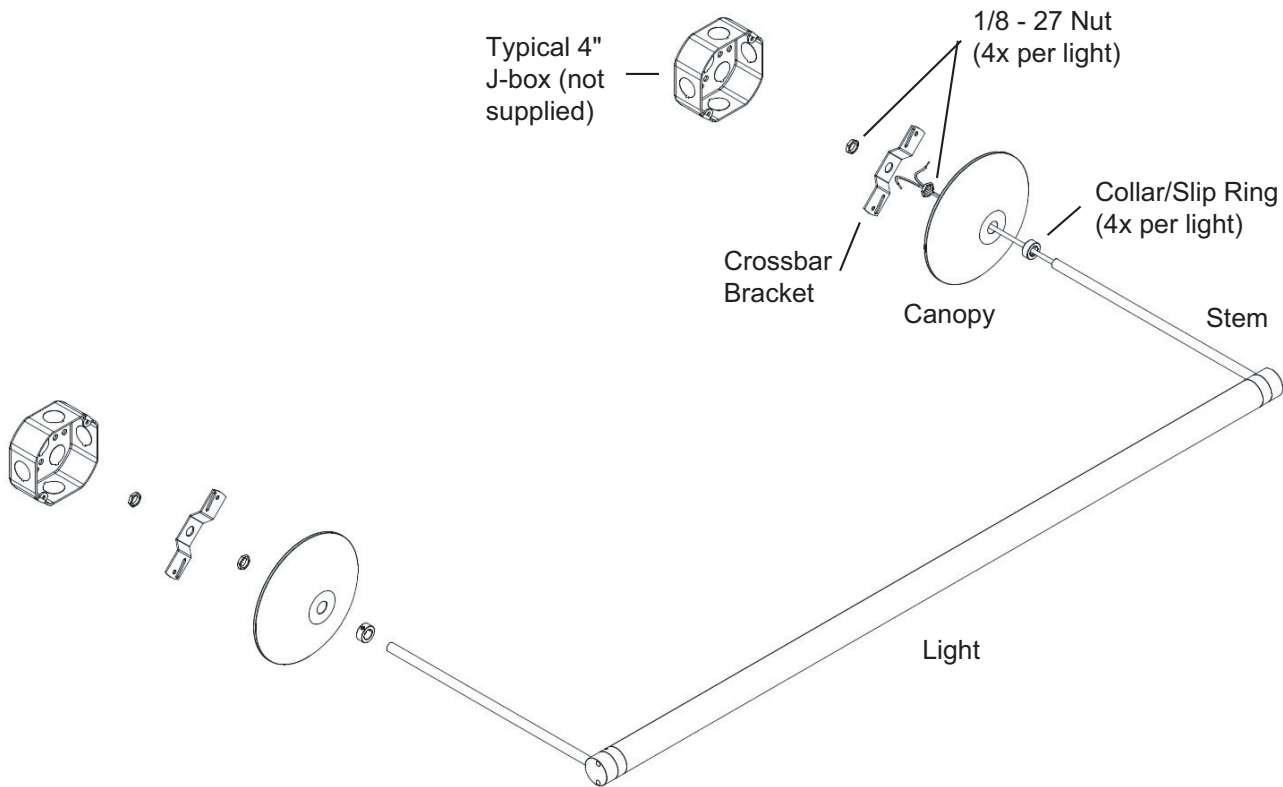
Identify and lay out all parts. See below.



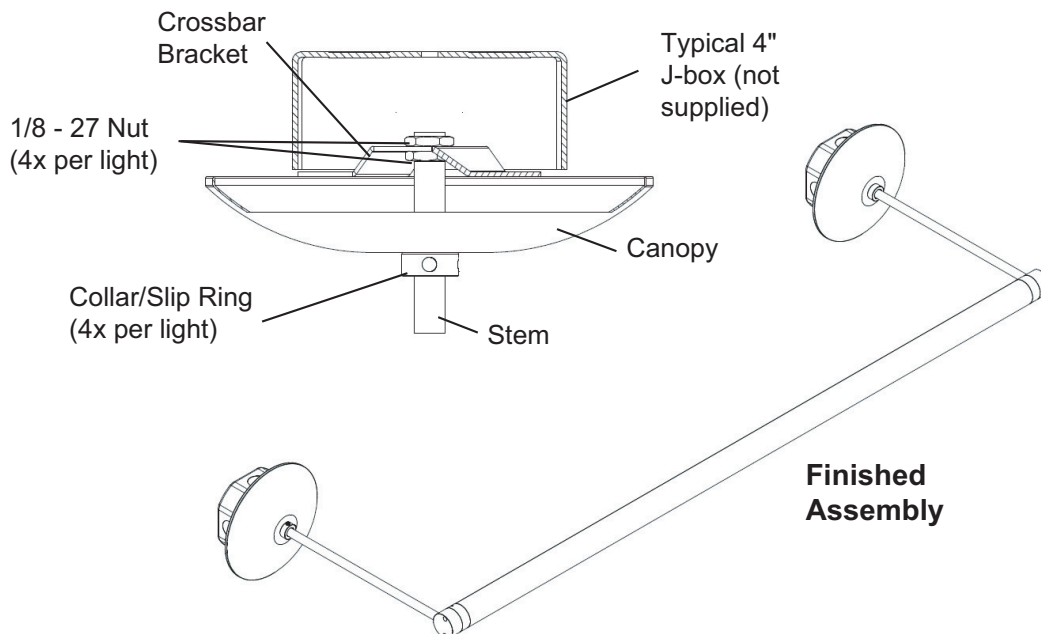
With stem in hand, feed light cable through one end of stem. Thread both stems into light.



# MOUNTING OPTION #1

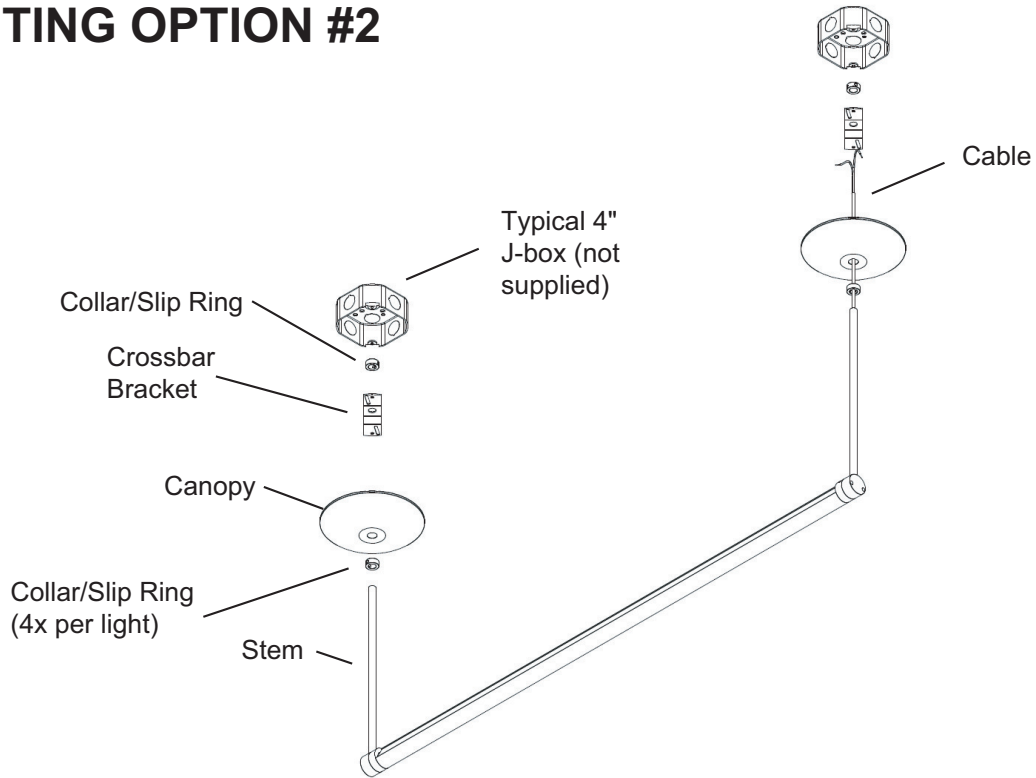


With light sub-assembly in hand, slip (1) Collar/Slip Ring onto Stem with cable. Next, slide (1) Canopy; allow both to slide down to light. Then, feed light cable through one 1/8 - 27 Nut, then Crossbar Bracket center hole, then another Nut. Tighten first nut down over Stem threads. Thread second Nut onto threads, sandwiching Crossbar Bracket between Nuts. Secure Crossbar Bracket to J-box (not supplied) using suitable screws (not provided). Perform wiring per National Electrical Code and local code. Slide Canopy up to cover J-box. Slide Collar/Slip Ring and tighten set screw, to secure Canopy over J-box wiring connections. Proceed to Page 5 to adjust light.

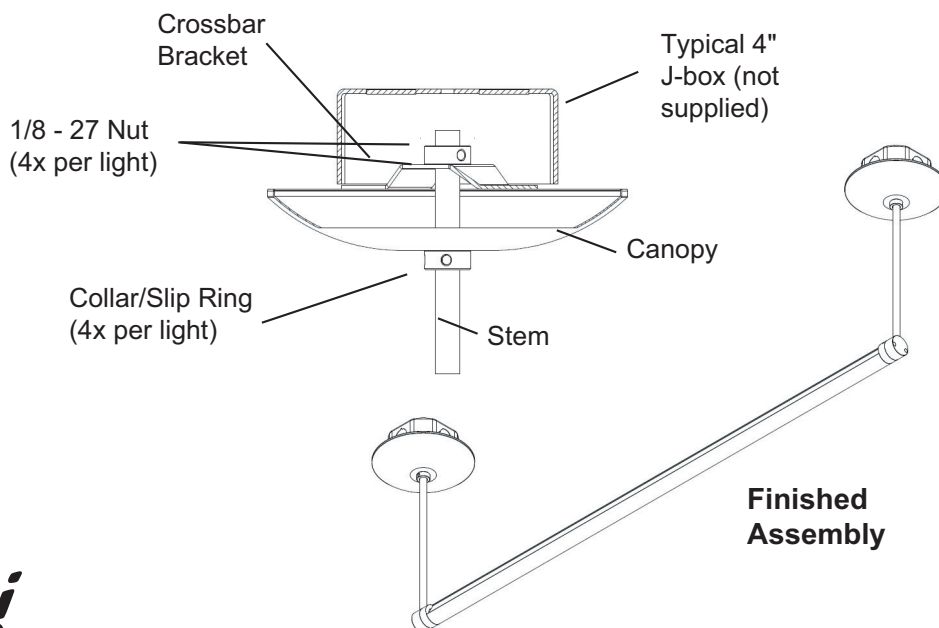


A Company with a Smart Vision

## MOUNTING OPTION #2



With light sub-assembly in hand, slip (1) Collar/Slip Ring onto Stem with cable. Next, slide (1) Canopy; allow both to slide down to light. Then, feed light cable through one Crossbar Bracket center hole, then another Collar/Slip Ring. Secure last Collar/Slip Ring onto end of Stem. Secure Crossbar Bracket to J-box using suitable screws (not provided). Perform wiring per National Electrical Code and local code. Slide Canopy up to cover J-box. Slide Collar/Slip Ring and tighten set screw, to secure Canopy over J-box wiring connections. Proceed to Page 5 to adjust light.

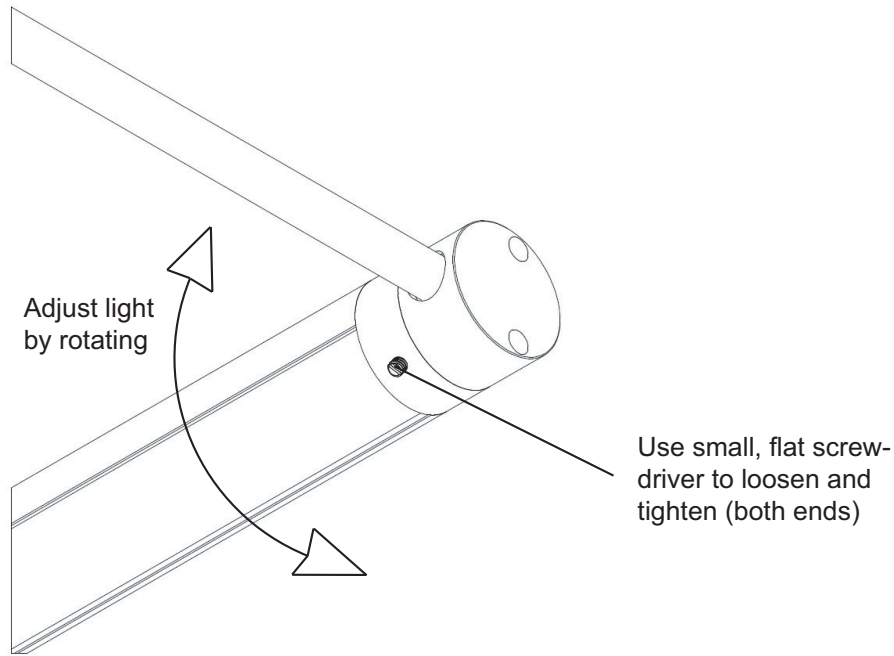


**Finished Assembly**



A Company with a *Smart Vision*

## ADJUSTING



**Installation Questions?**  
Call LSI Field Service Department at:  
1-800-436-7800 Ext. 3300  
Fax: 1-877-861-1368

