

MaxLite® M-Series



General Safety Information

- This fixture is designed for outdoor lighting service, and should not be used in areas of limited ventilation, or in high ambient temperatures.
- Before installing light fixtures, read and understand all cautions, warnings, instructions, and product labels. Failure to do so could result in injury and/or void the warranty.
- Installation should be done by a qualified electrician. Make sure power is OFF before installing or maintaining fixture.
- Risk of injury or damage. Unit will fall if not installed properly. Follow installation instructions.
- To reduce the risk of death, personal injury or property damage from fire, electric shock, falling parts, cuts/abrasions, and other hazards read all warnings and instructions included with and on the fixture box and all fixture labels.
- Before installing, servicing, or performing routine maintenance upon this equipment, follow these general precautions.
- Commercial installation, service and maintenance of luminaires should be performed by a qualified licensed electrician.
- **DO NOT INSTALL DAMAGED PRODUCT!**
- This fixture is intended to be connected to a properly installed and grounded UL listed junction box.



*Pictures are for illustration purposes only.
Your model may vary.*

WARNINGS:

RISK OF ELECTRICALSHOCK

- Turn off electrical power at fuse or circuit breaker box before wiring fixture to the power supply.
- Turn off the power when you perform any maintenance.
- Verify that supply voltage is correct by comparing it with the luminaire label information.
- Make all electrical and grounded connections in accordance with the National Electrical Code and any applicable local code requirements.
- All wiring connections should be capped with UL approved wire connectors.

CAUTION:

RISK OF INJURY

- Unit will fall if not installed properly. Follow installation instructions.
- Wear gloves and safety glasses at all times when removing luminaire from carton, installing, servicing or performing maintenance.
- Avoid direct eye exposure to the light source while it is on.
- Account for small parts and destroy packing material, as these may be hazardous to children.

CAUTION:

RISK OF FIRE

- Keep combustible and other materials that can burn away from luminaire and lamp/lens.
- MIN 75°C SUPPLY CONDUCTORS

Models:

M22, M30, M42, M55, M75, M100, M125, M150, M200, and M300 M-Series

Operating characteristics:

Operating temperature: -40°C to 50°C

Input voltage range: 120-277Vac, 277-480Vac, 50/60Hz

MaxLite® M-Series

Wiring Diagrams

FIG A: Standard wiring with c-Max™ receptacle.

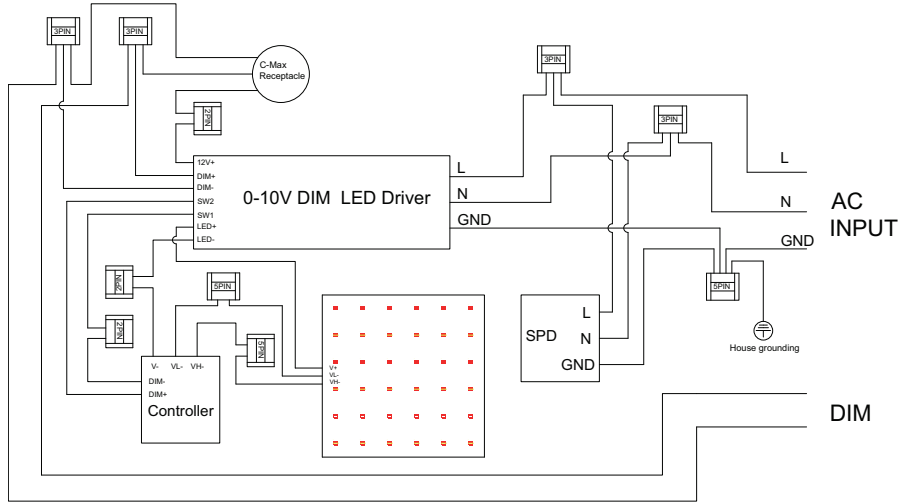


FIG B: Wiring with a line voltage photo-control.

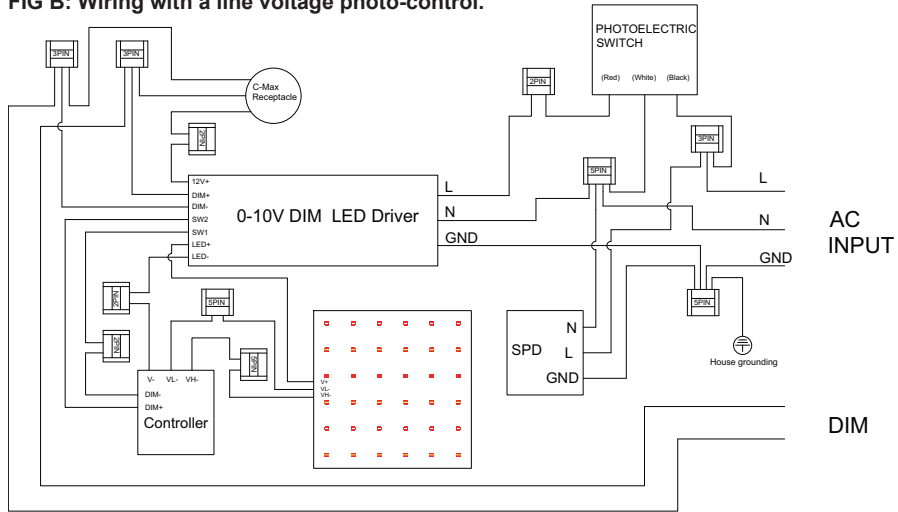
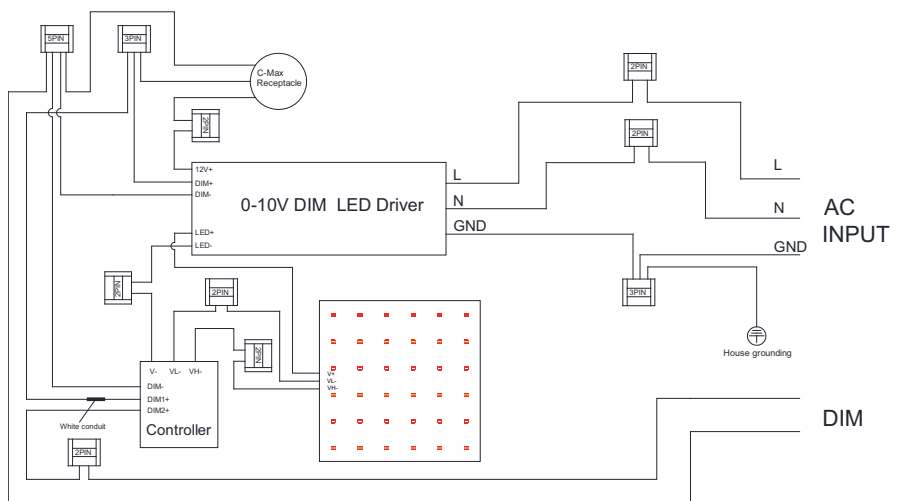


FIG C: M30 and M55 Models only



MaxLite® M-Series



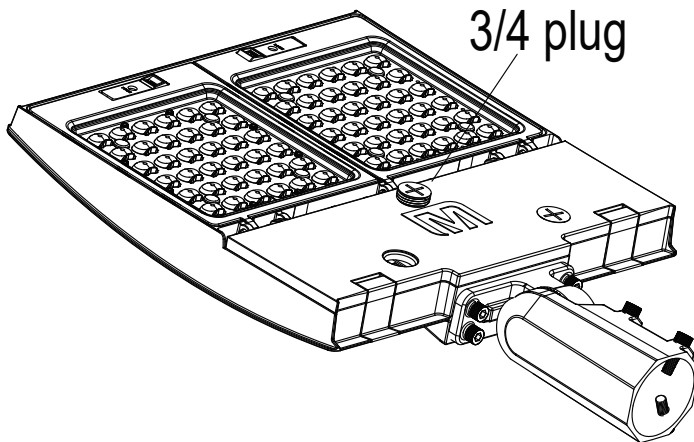
NOTE: The 100W-150W model is used in the illustrations below for demonstration purposes. Your model may vary.

Setting Color Temperature (CCT) and Power (Watts)

NOTE: Depending on the CCT selected and due to the color mixing design, all LEDs may not turn on.

1. Unscrew the 3/4 NPT plug, place aside for later use. (See Fig. A)

FIG. A

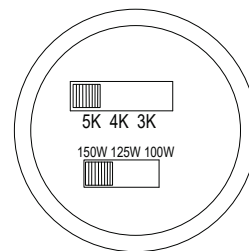
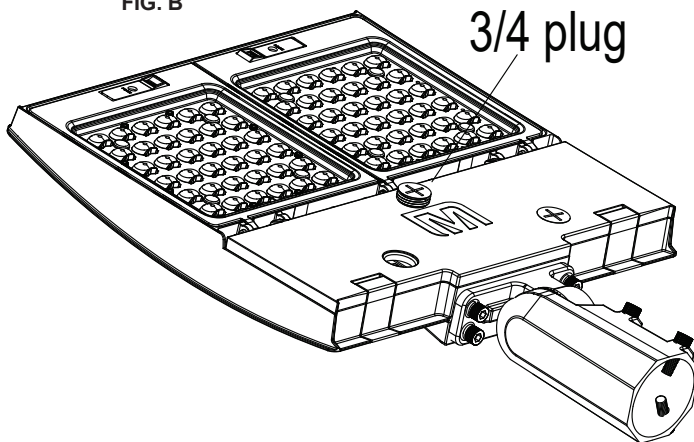


2. Adjust the CCT and power to the desired settings on the switches. (See Fig. B)

3. Install and re-tighten the 3/4 NPT plug removed in step 1.

NOTE: Ensure the plug is tightened enough to seal the hole.

FIG. B



MaxLite® M-Series



Installation Instructions

FIELD INSTALLATION FOR STRAIGHT ARM & TRUNNION MOUNT

1. Remove the bracket mounting screws on the fixture. (See Fig. 1 & 2)

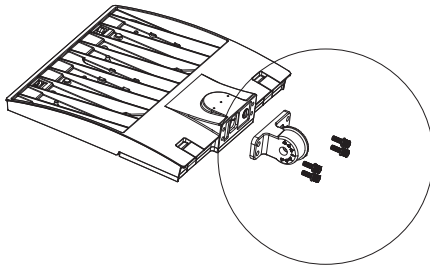


FIG. 1

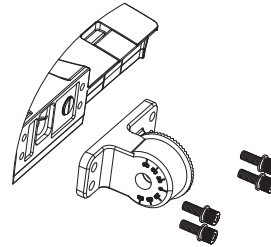


FIG. 2

STRAIGHT ARM MOUNTING

1. Lock the mounting and housing in place using four supplied machine screws, M8 spring washers, six M8 flat washers and a M8 external tooth in place washer at torque setting 9.6NM. (See Fig. 3 & 4)

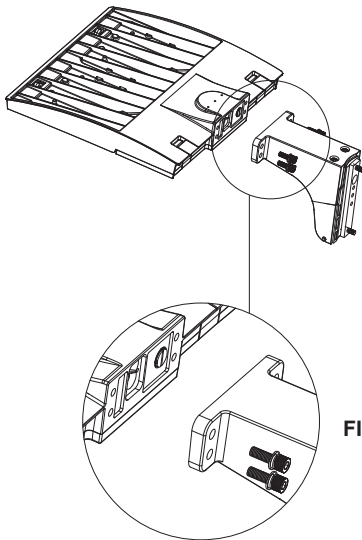


FIG. 3

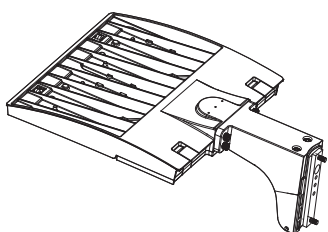


FIG. 4

TRUNNION MOUNTING

1. Lock the mounting and housing in place using four supplied M8x20mm machine thread screws, six M8 spring washers, six M8 flat washers and three and a M8 external tooth in place washer at torque setting 9.6NM. (See Fig. 5 & 6)

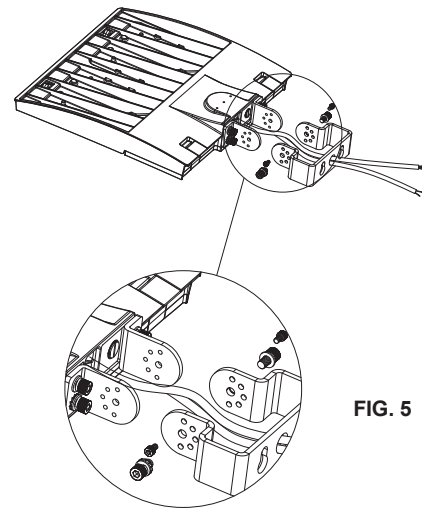


FIG. 5

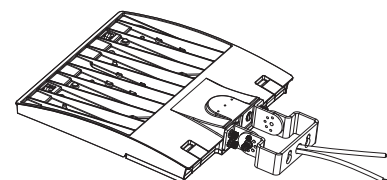


FIG. 6

MaxLite® M-Series



Lower Knuckle Arm Mounting

1. Align fixture head and arm at the desired angle with the knuckle. (See Fig. 1)
2. Lock the mounting and housing in place using the supplied M8x25mm machine thread screw, M8 spring washer and flat washer at torque setting 9.6 NM (See Fig. 2 & 3)

NOTE: Arm Bracket should not exceed 35°. (See Fig 4.)

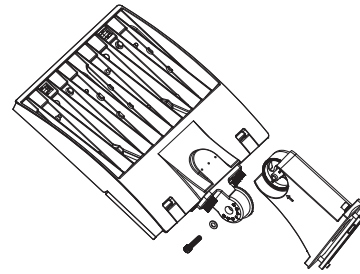


FIG. 1

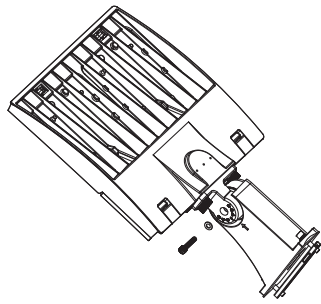


FIG. 2

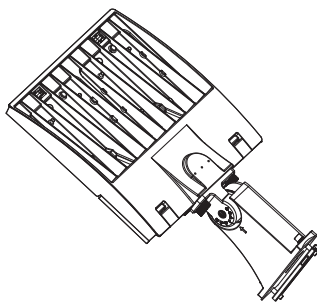


FIG. 3

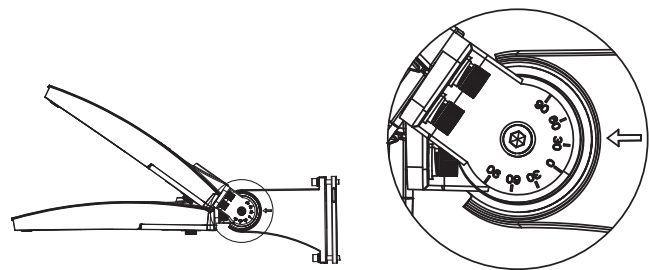


FIG. 4

Lower Knuckle Arm Mounting

1. Align fixture head and slipfitter at the desired angle with the knuckle. (See Fig. 5)
2. Lock the mounting and housing in place using the supplied M8x40mm machine thread screw, M8 spring washer and flat washer at torque setting 9.6 NM (See Fig. 6)

NOTE: Slipfitter Bracket should not exceed 90°. (See Fig 7.)

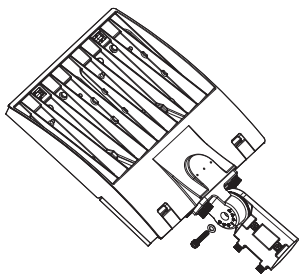


FIG. 5

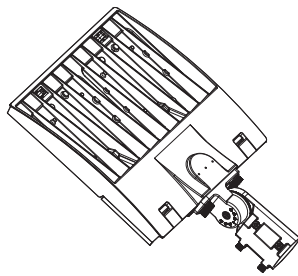


FIG. 6

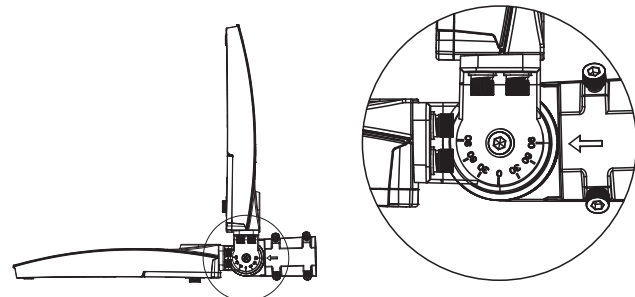


FIG. 7

MaxLite® M-Series



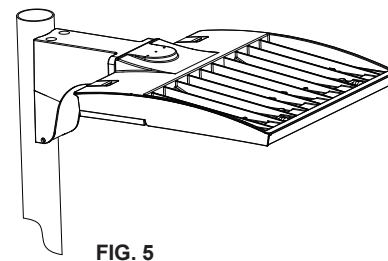
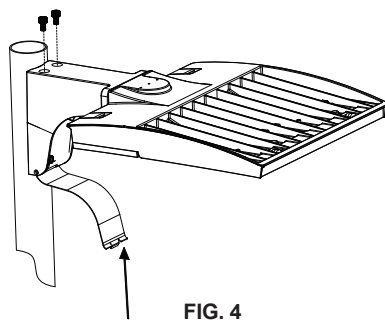
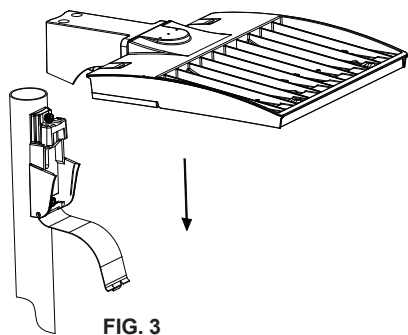
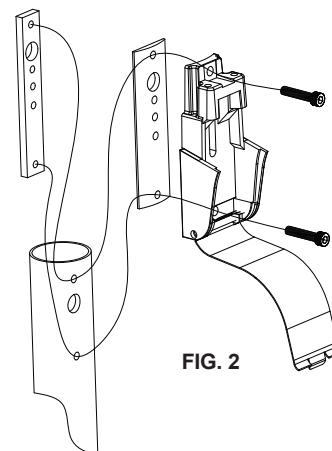
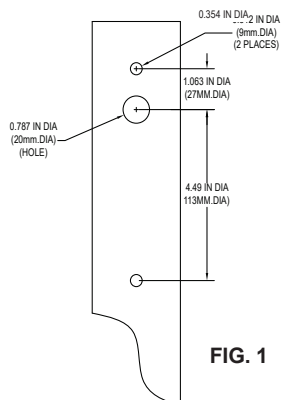
Installation & Operation Instructions

A: STRAIGHT ARM MOUNT

The fixture can be mounted to either a round or square pole using the gaskets provided. The mounting plate has a slot pattern that can cover many existing hole patterns. If there is no existing hole pattern or the holes are outside of the slot range, drill holes according to the pattern in **FIG. 1**. Install the mounting plate in accordance with **FIG. 2**.

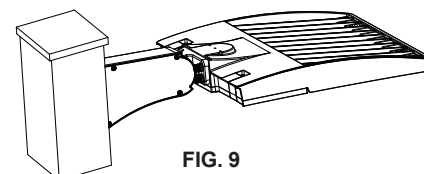
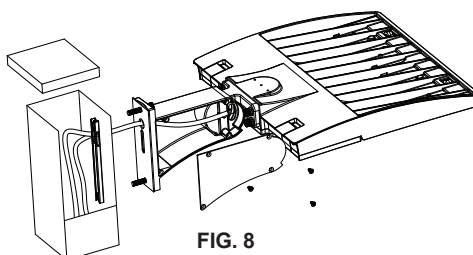
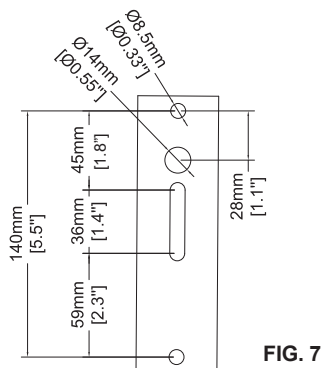
If mounting it to a square pole use both silicone plates.
If mounting it to a round pole remove one of the silicone plates.

1. Tighten the nut plate and adapter on the pole. (see Fig.2)
2. Insert the fixture onto the adapter. (see Fig. 3)
3. Tighten the two M8 bolts on the arm and secure it to the adapter, Press the cover plate upward into the bracket. The wiring connections can also be made inside of the pole. (see Fig. 4)
4. Inspect installation to ensure the fixture is secure. (see Fig. 5)



B: FLEXIBLE ARM MOUNT

NOTE: The fixture can be mounted to either a round or square pole using the gaskets provided. The flexible arm can be aimed 0 to 35 upward. Refer to the drill pattern below for the pole in order to mount the arm. (See Fig. 7) If mounting it to a square pole, use both silicone plates. If mounting to a round pole, remove one of the silicone plates (See Fig. 8 & Fig. 9)



1. Fix the flexible arm mount to the pole by inserting the metal fixed plate with two (2) nuts and aligning it with the drilled holes. Tighten the two (2) bolts included with the mount to secure it to the pole. Remove the side lid from the mount, pull the supply wires from the pole into the junction box and make the wiring connections. (See Fig. 8)
2. Put the connected wires into the junction box and seal it with the side lid. (See Fig. 9)

MaxLite® M-Series



Installation & Operation Instructions

C: SLIPFITTER MOUNT

1. Connect the power supply wires to the fixture input wires (see Wiring Diagrams above).
Lay the wires into the pole and insert the slipfitter onto the pole. (See Fig. 1)

Note: Fits over 2-3/8" OD tenons

2. Tighten the four (4) set screws on the slipfitter to secure it to the pole. (See Fig. 2).
3. To aim the fixture, loosen the M8 center knuckle bolt on the arm, adjust the arm to the desired angle, and re-tighten the bolt. (See Fig. 3)

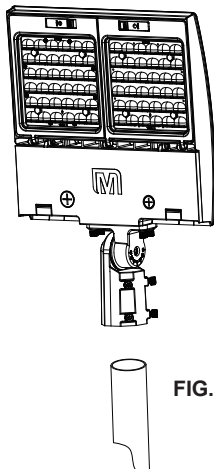


FIG. 1

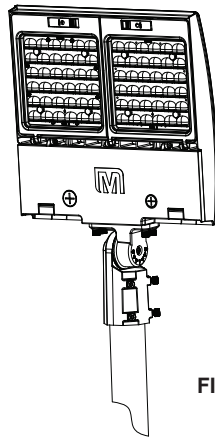


FIG. 2

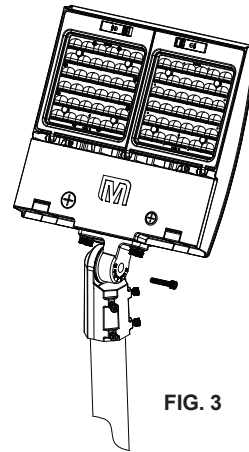


FIG. 3

D: TRUNNION MOUNT

1. The trunnion bracket can be mounted using two (2) M12 bolts. (See to Fig. 1 for drilling dimensions)

NOTE: Bolts not included. Provided by customer.

2. Once mounting hole(s) are drilled, secure the bracket with the fixture to the mounting surface.
3. Adjust the fixture to the desired angle by loosening the center bolts and removing the socket head screws.
Once the fixture is set to the desired angle, re-tighten the socket head screws to secure the fixture. (See Fig. 2).

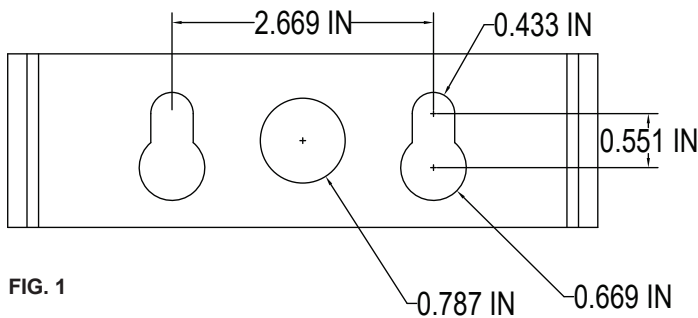


FIG. 1

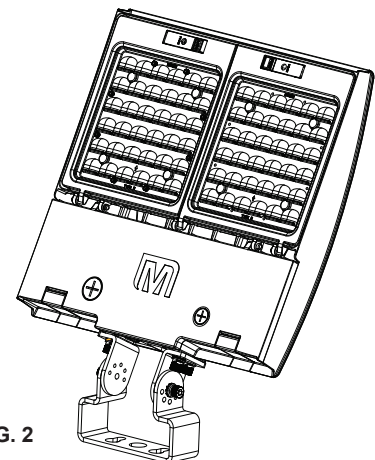


FIG. 2

MaxLite® M-Series



Installation & Operation Instructions

E: FIXED WALL MOUNT

1. Remove the four (4) M5 hex head bolts. Remove the back plate from the wall mount (See Fig. 1).
2. Drill holes in the 4 corner indentions to anchor the back plate to the wall. Drill holes on the J-Box mounting pattern to match the J-Box. Note the 4 corner holes are to attach the fixture to the wall, the J-Box holes are to provide compression for the gasket to seal electrical connections. The J-Box mounting is not intended to be weight bearing and hold the fixture to the wall. (See Fig. 2).

NOTE: mounting hardware not included.

3. Connect the power leads to the driver compartment according to the wiring diagrams above. Re-tighten the four (4) M5 hex head bolts removed in step 1, (see Fig. 3)
4. Use the side knockout holes for surface conduit installation.
5. Inspect installation to ensure the fixture is secure.

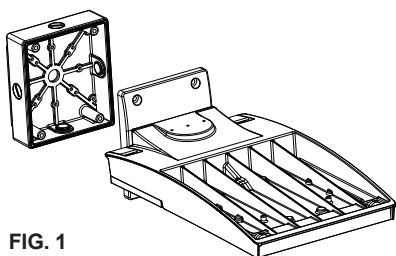


FIG. 1

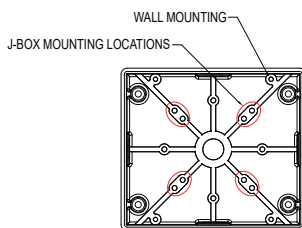


FIG. 2

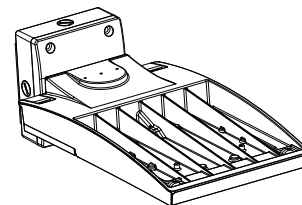


FIG. 3

F: VARIABLE WALL MOUNT

1. Remove the four (4) M5 hex head bolts. Remove the back plate from the flexible wall mount. (see Fig. 1)
2. Drill holes in the 4 corner indentions to anchor the back plate to the wall. Drill holes on the J-Box mounting pattern to match the J-Box. Note the 4 corner holes are to attach the fixture to the wall, the J-Box holes are to provide compression for the gasket to seal electrical connections. The J-Box mounting is not intended to be weight bearing and hold the fixture to the wall. (see Fig. 2)

NOTE: mounting hardware not included.

3. Connect the power leads to the driver compartment according to the wiring diagrams above. Re-tighten the four (4) M5 hex head bolts removed in step 1. (see Fig. 3)
4. Use the side knockout holes for surface conduit installation.
5. To aim the fixture, loosen the M10 center knuckle bolt on the arm, adjust the arm to the desired angle. (see Fig. 4)
6. Inspect installation to ensure the fixture is secure. (see Fig. 5)

NOTE: Add a bead of exterior grade silicone sealant around the perimeter of the mount on the wall to inhibit any moisture from attachment bolts.

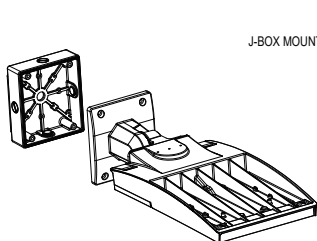


FIG. 1

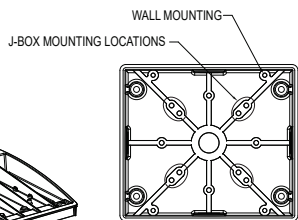


FIG. 2

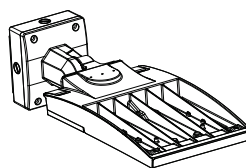


FIG. 3

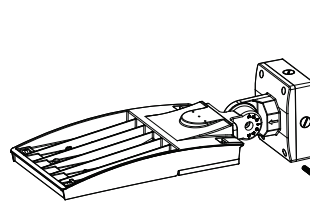


FIG. 4

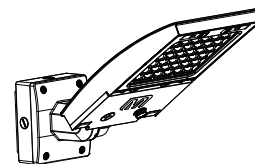


FIG. 5

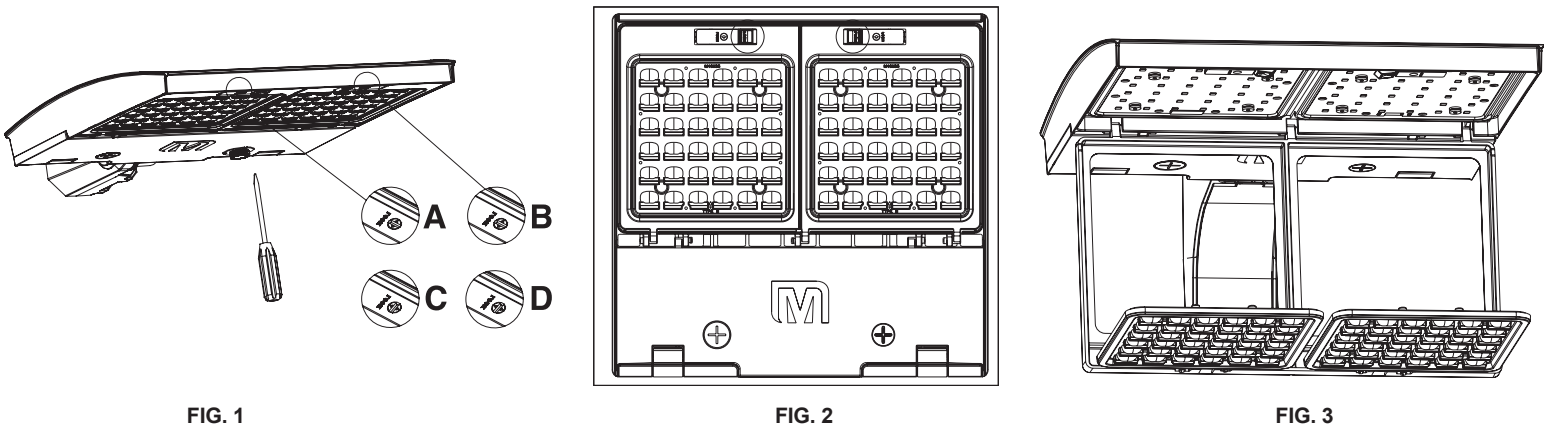
MaxLite® M-Series



Installation Instructions – Swapping Optic Lens

NOTE: 100W/150W model shown, which has two (2) lenses. Other models will vary.

1. Use a flat-head screwdriver to adjust the self-locking knob of the button to the position shown in Figure A/B of FIG1 (rotate clockwise for A and counterclockwise for B as shown in the figure below), at which point the button will be in an openable state. Release the hinged lens frame by pressing on the two (2) buttons labeled as “PUSH”. (See Figs. 1 & 2)
2. Allow the frame to swing down and remove the existing lenses. (See Fig.3)
3. Put the new lenses in place of the old, ensuring that they are properly aligned and pointing in the desired direction. Note the direction of the arrow on the bottom of the lens. Close the frame and lock it in place, there should be an audible click.
4. Use a flat-head screwdriver to adjust the self-locking knob of the button to the position shown in Figure C/D of FIG1 (rotate counterclockwise for C and clockwise for D as shown in the figure below), at which point the button will be in a locked state.

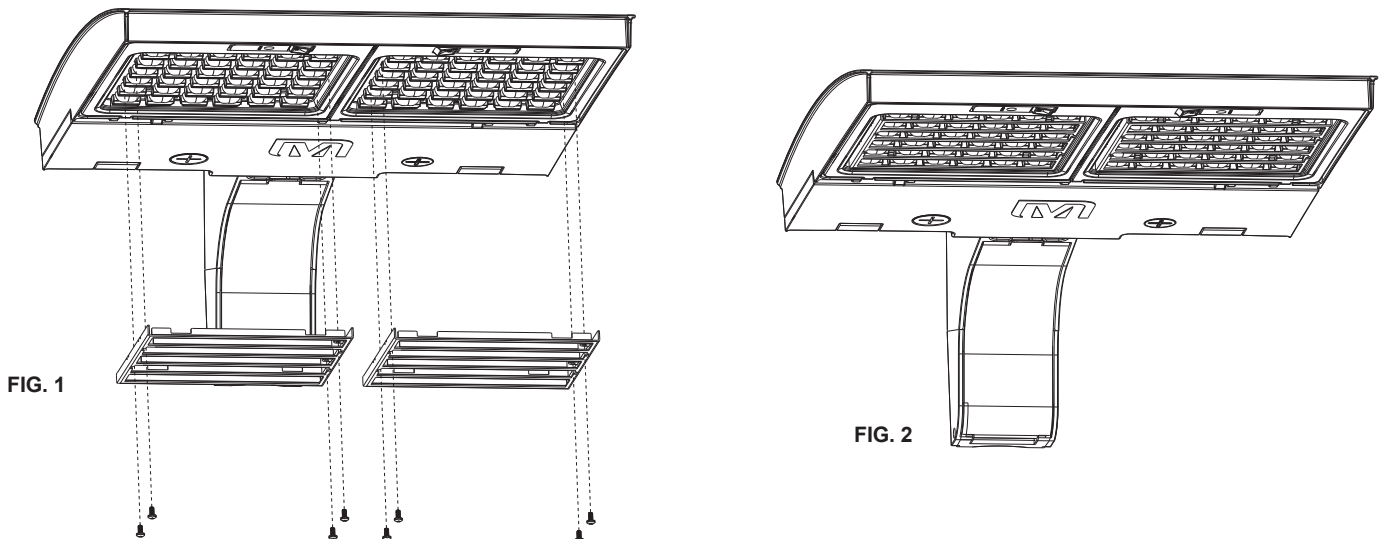


Installation Instructions – Optional Lens Accessories (Sold Separately)

NOTE: 100W/150W model shown, which has two (2) lenses. Other models will vary.

BACK LIGHT SHIELD

1. Place the back light shield(s) on the LED lens, ensuring that the raised flanges are on the back side of the LED optics. (See Fig. 1)
2. Using the supplied machine screws, secure the shield(s) to the fixture by tightening the screws. (See Fig. 2)



MaxLite® M-Series



Installation Instructions – Optional Lens Accessories (Sold Separately)

NOTE: 100W/150W model shown, which has two (2) lenses. Other models will vary.

VISOR

1. For front visor applications, align the visor(s) with the screw holes. (See Fig. 1)
2. Using the supplied machine screws, secure the visor(s) to the fixture by tightening the screws. (See Fig. 2)

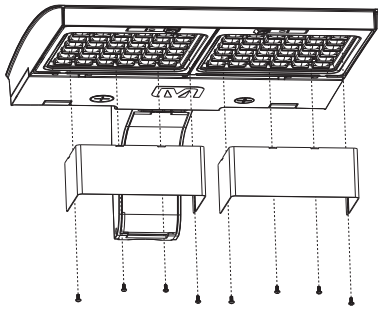


FIG. 1

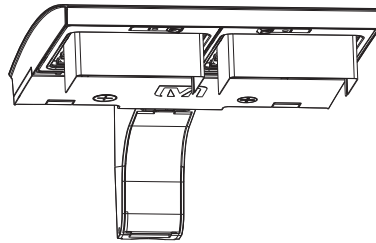


FIG. 2

3. For back visor applications, repeat steps 1 and 2 on the back side of the optic lens. (See Figs. 3 & 4)
4. In order to achieve a full visor, apply both the front and back visor(s) together. (See Fig. 5)

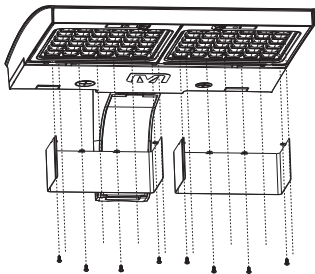


FIG. 3

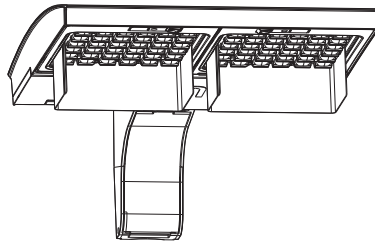


FIG. 4

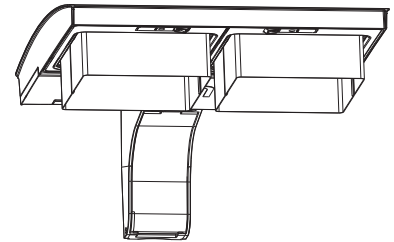


FIG. 5

VISUAL COMFORT

1. Place the visual comfort lens on the LED lens. (See Fig. 1)
2. Using the supplied machine screws, secure the lens to the fixture by tightening the screws. (See Fig. 2)

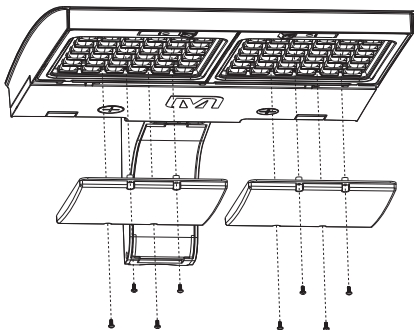


FIG. 1

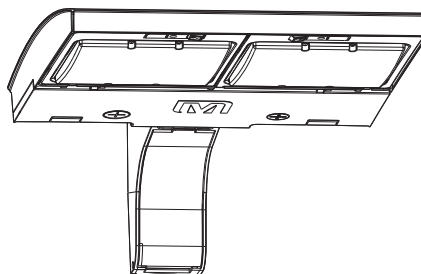


FIG. 2

MaxLite® M-Series



Installation Instructions – c-Max™ Node (Applicable only on CR Models)

1. Remove the set screw from the round c-Max™ USB-C receptacle. (See Fig. 1)

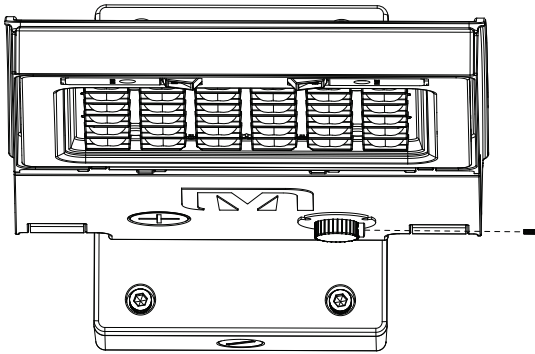


FIG. 1

2. Remove the USB-C receptacle cover by turning it 90°. (See Fig. 2)

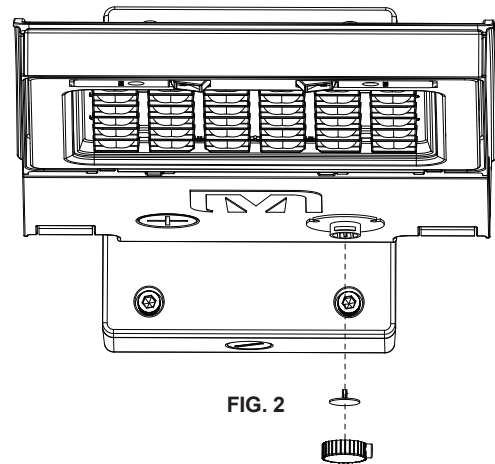


FIG. 2

3. Plug the c-Max™ control node into the USB-C receptacle. (See Fig. 3)

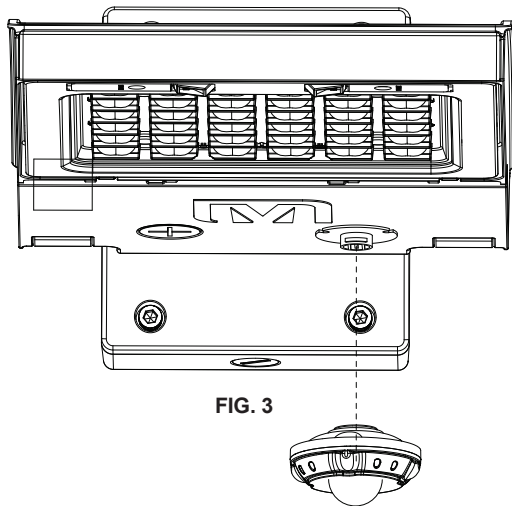


FIG. 3

4. Rotate the outer ring until the arrows align. (See Fig. 4)

5. Secure the control node in place with the provided set screw.

NOTE: This is important to prevent vandalism and shaking loose with vibration.

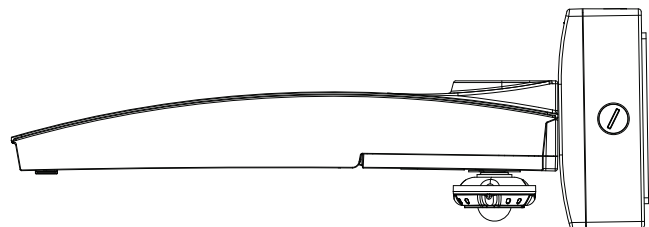


FIG. 4

MaxLite® M-Series



Installation Instructions – EM (Optional)

If your fixture came with a pre-installed battery back-up unit, follow these steps to install.

1. Use a flat head screwdriver to remove the knockout cap from the back of the EM extension box (see FIG. 1).
2. Remove the twelve (12) M4 hex head screws and set aside for later use. Separate the fixture and EM extension cover from the EM extension box (see FIG. 2).
3. Drill mounting holes in the EM extension box in the four (4) corners of the extension box for wall mounting. Drill through the raised hole locations on the junction box template in the center of the box that correspond to the mounting points on the intended junction box (see FIG. 3). Mount the extension box to the wall and the junction box using these drilled holes. NOTE: mounting hardware not included.

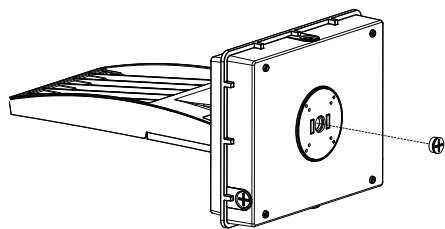


FIG. 1

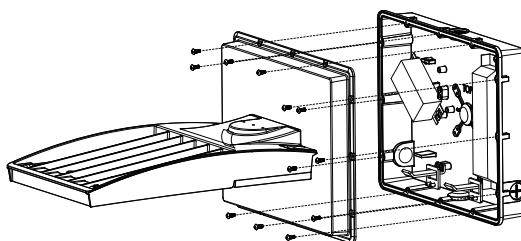


FIG. 2

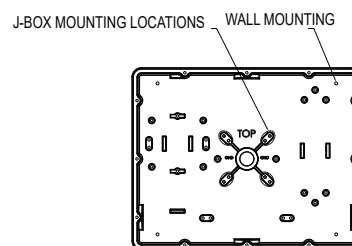


FIG. 3

4. Hook the fixture and EM extension cover onto the EM extension box. Allow the fixture to hang by the brackets to facilitate the wiring process (see FIG. 4).
5. Pull the input wires through the hole in the EM extension box and complete the wiring connections following the wiring diagrams below.
6. Replace the EM extension cover onto the extension box. Ensure that the gasket in-between the cover and box fits in place. Secure the cover to the box using the twelve (12) M4 screws previously removed in step 1 (see FIG. 5).

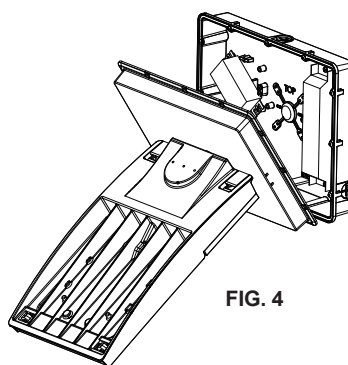


FIG. 4

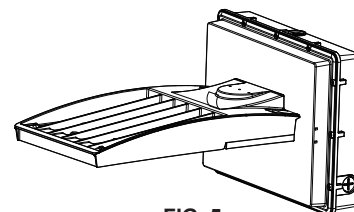


FIG. 5

NOTE: Add a bead of exterior grade silicone sealant around the perimeter of the mount on the wall to inhibit any moisture from attachment bolts.

MaxLite® M-Series



EM Wiring Diagrams

FIG. 1: Standard wiring with -20°C EM

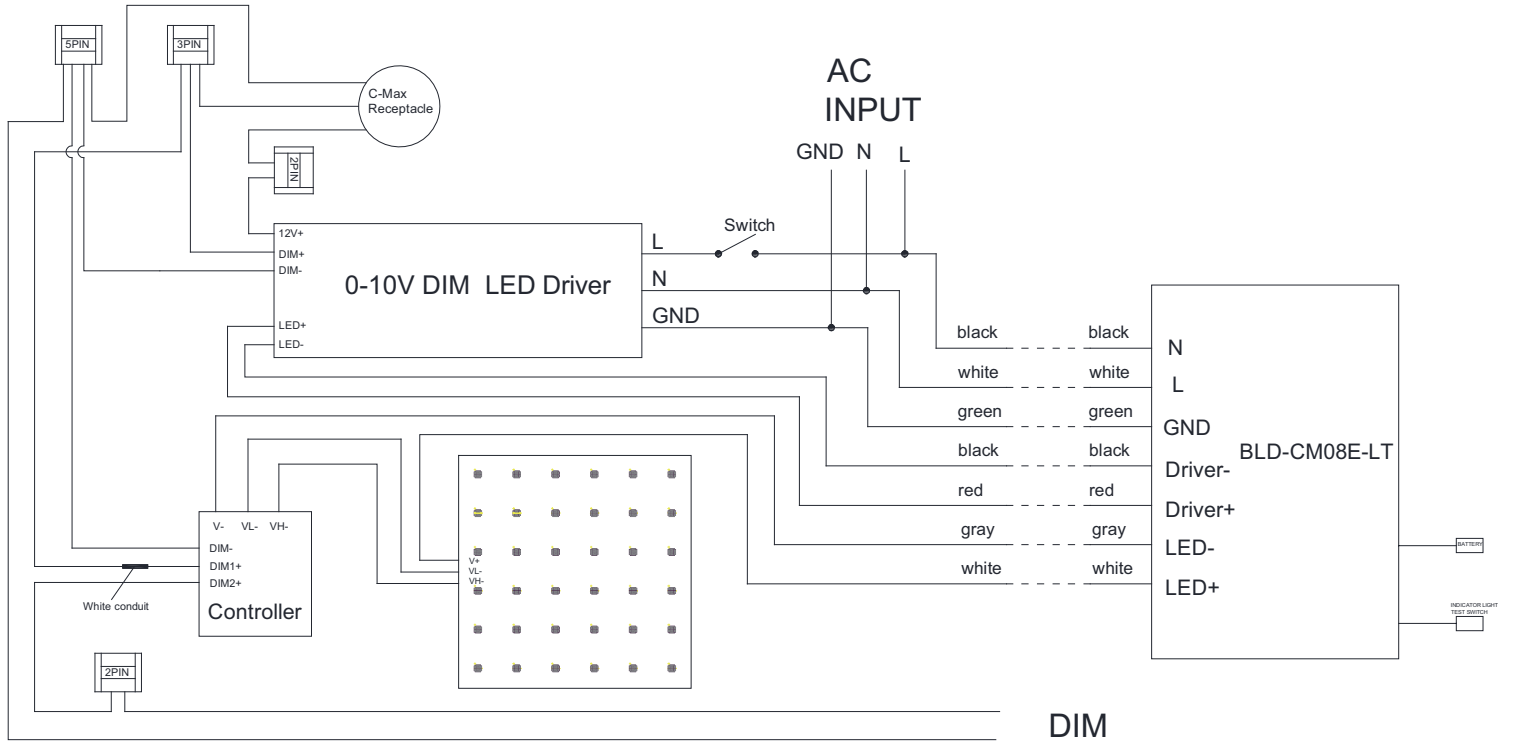


FIG. 1

MaxLite® M-Series



Maintenance

The unit is designed for years with minimum care. For optimum performance, periodically clean lens with a mild, non-abrasive glass cleaner and soft cloth. Do NOT use solvents or cleaners containing abrasive agents. When cleaning the fixture, make sure you have the power turned off and do not spray liquid cleaner directly onto the LED, or wiring.

Warranty Information

MaxLite Inc. warrants its products for a minimum period of **TEN (10)** years from the date of original purchase from MaxLite or its authorized distributor/dealer (the "Warranty Period"), as follows: If a Product fails to operate during the Warranty Period as a result of defects in materials or workmanship, MaxLite will, at its option, repair it, replace it with the same or like Product.

Please refer to MaxLite's website ([at http://maxlite.com/resources/warranties](http://maxlite.com/resources/warranties)) for the complete terms and conditions of our warranty.

Limitation of Liability

THE FOREGOING WARRANTY IS EXCLUSIVE, AND IS THE SOLE REMEDY FOR ANY AND ALL CLAIMS, WHETHER IN CONTRACT, IN TORT OR OTHERWISE ARISING FROM THE FAILURE OF PRODUCT AND IS IN LIEU OF ALL OTHER WARRANTIES, EXPRESS OR IMPLIED, INCLUDING ALL WARRANTIES OF MERCHANTABILITY OR FITNESS FOR A PARTICULAR PURPOSE, WHICH WARRANTIES ARE HEREBY EXPRESSLY DISCLAIMED TO THE EXTENT PERMITTED BY LAW AND, IN ANY EVENT, SHALL BE LIMITED TO THE WARRANTY PERIOD SPECIFIED ABOVE. THE LIABILITY OF MAXLITE SHALL BE LIMITED TO THE TERMS OF THE EXPRESS WARRANTY SET FORTH HEREIN. IN NO EVENT WILL MAXLITE BE LIABLE FOR ANY SPECIAL, INCIDENTAL OR CONSEQUENTIAL DAMAGES INCLUDING, WITHOUT LIMITATION, DAMAGES RESULTING FROM LOSS OF USE, PROFITS, BUSINESS OR GOODWILL, LABOR COSTS, REMOVAL OR INSTALLATION COSTS, DECREASE IN THE LIGHT OUTPUT OF THE LAMP, AND/OR DETERIORATION IN THE LAMP'S PERFORMANCE, WHETHER OR NOT MAXLITE HAS BEEN ADVISED OF THE POSSIBILITY THEREOF. UNDER NO CIRCUMSTANCES SHALL MAXLITE'S ENTIRE LIABILITY FOR A DEFECTIVE PRODUCT EXCEED THE PURCHASE PRICE OF THAT PRODUCT. WARRANTY SERVICES PROVIDED UNDER THESE TERMS AND CONDITIONS DO NOT ENSURE THE UNINTERRUPTED OPERATION OF PRODUCTS; MAXLITE SHALL NOT BE LIABLE FOR DAMAGES CAUSED BY ANY DELAYS INVOLVING WARRANTY SERVICE.

This Limited Warranty gives you specific legal rights and you may also have other rights that may vary from state to state. Because some states or jurisdictions do not allow the exclusion or limitation of liability for consequential or incidental damages, this limitation may not apply to you.