



**LED | LAMPS
& DOWNLIGHT RETROFITS**

Table of Contents

LED Filament Reminiscent	5
LED Filament (A-Type)	6 - 11
LED Filament (Decorative).....	12 - 29
LED Filament (Specialty).....	30 - 41
Indicator and Sign Bulbs	42 - 43
LED CCT Selectable Bulbs (A-Type).....	44 - 45
A-Type 40W and 60W Replacements (Heat sink).....	46 - 55
LED A19 Colors	56
LED A21 Lamp with Battery Backup	57
LED A19 Dusk to Dawn Lamps	58 - 59
A-Type 75W Incandescent Replacement Lamps.....	60 - 61
LED A19 Motion Sensor Lamps	62 - 63
A-Type 100W Incandescent Replacement Lamps.....	64 - 66
3-Way LED Lamps (A-Type)	67
Hi Wattage Incandescent Replacements (A-Type).....	68 - 69
Hi-Pro LED A-Lamps	70 - 73
LED T10 High Lumen Lamps	74
Specialty Lamps (including: Flame, Grow, Linear T10 and Squat Lamps)	75 - 81
BR30, BR40, R20, R14 LED Lamps	82 - 91
LED Par Lamps	92 - 111
AR111, PAR16, MR, and Elevator Lamps.....	112 - 121
T3 and T4 Replacements	122 - 127
Downlight Retrofits	128 - 147
Hi-Pro LED Lamps (HID Replacements)	148 - 169
Temp Work Lights.....	170 - 179
Pin Based CFL Replacements	180 - 193
Linear T8 and T5 Replacements (Types A and B)	194 - 223
Linear T8 Sign Lamps.....	224 - 225
LED U-Bend Lamps.....	226 - 227
Circline Lamps.....	228 - 229
Linear T8 and T5 Replacements (Type C).....	230 - 231
Linear T8 with Battery Backup.....	232 - 233
Emergency Drivers (Type B Lamps).....	234
LED Retrofits	235
Index	236 - 240
Notes.....	241 - 243



**50+ YEARS IN
BUSINESS**

**100% INDEPENDENT
PRIVATELY OWNED**

**15,000 +
PRODUCTS**

**2 MILLION SQ. FT
OF INVENTORY**

**6 WAREHOUSE
LOCATIONS**

SATCO® is your single source solution for all of your lighting needs. From emerging LED technologies to decorative fixtures and lighting components, we carry products for nearly every industry and application to our customers. Independent and privately owned for over 50 years, SATCO continues to grow because of our traditional values: trust, quality, loyalty and hard work. Agile in practice, unwavering in customer focus...

**...we deliver on product, promise
& partnership.**

SATCO® has two lines of product to help you meet California's Building and Appliance codes:

Building Code (Title 24): The full line of Joint Appendix 8 (JA8) lamps are certified to the Title 24 2025 building code. These products will help you comply with the newest California residential building codes.

Appliance Code (Title 20): Lamps and Retrofit Kits are considered appliances in the California Code, and Title 20 is one of the most stringent in the country. Satco has a full line of products that are compliant with this code.

As an ongoing effort on behalf of Satco Products, Inc. to remain dedicated to the improvement of our products, we reserve the right to change specifications. The information contained in this specification guide is subject to change without notice. We cannot be responsible for typographical errors.

REMINISCENT™

GRAY LED FILAMENT LAMPS



Features:

- Elegant gray filament
- Ultra-clear glass bulb
- Excellent color rendering



REMINISCENT™

GRAY LED FILAMENT LAMPS



Item	Description	Lamp Shape	Filament Style	Base	Lm	W	Incandescent Replacement Wattage	MOL (in.)	Pack
Boxed									
S11520	6ST19/CL/LED-GF/COIL/927/120V	ST19	Coil	E26	500	6	40W	5.31	24/6
S11527	6ST19/CL/LED-GF/LOOP/927/120V	ST19	Loop	E26	500	6	40W	5.31	24/6
S11521	6A19/CL/LED-GF/COIL/927/120V	A19	Coil	E26	500	6	40W	4.17	24/6
S11525	4B11/CL/LED-GF/COIL/927/120V	B11	Coil	E12	350	4	40W	3.94	24/6
S11526	4CA11/CL/LED-GF/COIL/927/120V	CA11	Coil	E12	350	4	40W	4.48	24/6
S11522	6G25/CL/LED-GF/COIL/927/120V	G25	Coil	E26	500	6	60W	4.72	24/6
S11528	6G25/CL/LED-GF/LOOP/927/120V	G25	Loop	E26	500	6	60W	4.72	24/6
S11524	6T9/CL/LED-GF/COIL/927/120V	T9	Coil	E26	500	6	40W	7.48	24/6
S11523	6T9/CL/LED-GF/STR/927/120V	T9	Straight	E26	500	6	40W	11.02	24/6
Carded									
S10520	6ST19/CL/LED-GF/COIL/927/1CD	ST19	Flex	E26	500	6	40W	5.31	24/12
S10525	6ST19/CL/LED-GF/LOOP/927/1CD	ST19	Flex	E26	500	6	40W	5.31	24/12
S10521	6A19/CL/LED-GF/COIL/927/1CD	A19	Flex	E26	500	6	40W	4.17	24/12
S10523	4B11/CL/LED-GF/COIL/927/2CD	B11	Flex	E12	350	4	40W	3.94	24/12
S10524	4CA11/CL/LED-GF/COIL/927/2CD	CA11	Flex	E12	350	4	40W	4.48	24/12
S10522	6T9/CL/LED-GF/COIL/927/2CD	T9	Flex	E26	500	6	60W	7.48	24/12

*See warranty for details at www.satco.com

LED A15, A19 FILAMENT LAMPS



Features:

- 90 CRI
- 40-100W replacements
- High lumens & efficiency
- Clear and soft white options
- 4 CCT options
- Approved for enclosed fixtures*
- Dimmable
- Long life



LED A15 FILAMENT LAMPS 40W, 60W REPLACEMENTS



A15/E12



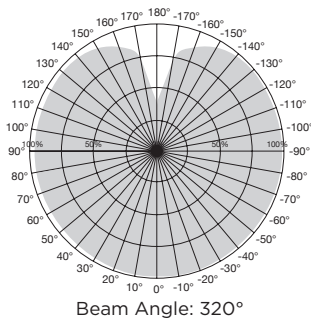
A15 FR



A15 SW



A15 CL



Item	Description	W	V	Bulb Shape	Base	Finish	CCT	Lm	CRI	MOL (in.)	MOD (in.)	Life (hrs.)	UPC	Pack
40 Watt Replacement														
S12400	5A15/CL/LED/927/120V	5	120	A15	E26	CL	2700K	450	90	3.39	1.89	15K	045923124006	24/6
S12401	5A15/CL/LED/930/120V	5	120	A15	E26	CL	3000K	450	90	3.39	1.89	15K	045923124013	24/6
S12402	5A15/CL/LED/940/120V	5	120	A15	E26	CL	4000K	450	90	3.39	1.89	15K	045923124020	24/6
S12403	5A15/CL/LED/950/120V	5	120	A15	E26	CL	5000K	450	90	3.39	1.89	15K	045923124037	24/6
S12404	5A15/SW/LED/927/120V	5	120	A15	E26	SW	2700K	450	90	3.39	1.89	15K	045923124044	24/6
S12405	5A15/SW/LED/930/120V	5	120	A15	E26	SW	3000K	450	90	3.39	1.89	15K	045923124051	24/6
40 Watt Replacement-Carded														
S21871	5.5A15/CL/LED/927/E12/2CD	5.5	120	A15	E12	CL	2700K	450	90	3.43	1.85	15K	045923218712	24/12
S21872	5.5A15/CL/LED/927/E17/2CD	5.5	120	A15	E17	CL	2700K	450	90	3.19	1.85	15K	045923218729	24/12
S21873	5.5A15/CL/LED/927/E26/2CD	5.5	120	A15	E26	CL	2700K	450	90	3.39	1.85	15K	045923218736	24/12
S21874	5.5A15/FR/LED/927/E26/2CD	5.5	120	A15	E26	FR	2700K	450	90	3.39	1.85	15K	045923218743	24/12
60 Watt Replacement														
S12406	8.2A15/CL/LED/930/120V	8.2	120	A15	E26	CL	3000K	800	90	3.39	1.89	15K	045923124068	24/6
S12407	8.2A15/SW/LED/930/120V	8.2	120	A15	E26	SW	3000K	800	90	3.39	1.89	15K	045923124075	24/6

*See warranty for details at www.satco.com. *Only S21872

Product sheet SA2690

90 CRI LED A19 FILAMENT LAMPS 40W, 60W REPLACEMENTS



A19 SW

A19 CL



Item	Description	W	V	Bulb Shape	Base	Finish	CCT	Lm	CRI	Beam	MOL (in.)	MOD (in.)	Life (hrs.)	UPC	Pack
40W Replacement															
S12408	5A19/CL/LED/927/120V	5	120	A19	E26	CL	2700K	450	90	320°	4.02	2.36	15K	045923124082	24/6
S12409	5A19/CL/LED/930/120V	5	120	A19	E26	CL	3000K	450	90	320°	4.02	2.36	15K	045923124099	24/6
S12468	5A19/CL/LED/935/120V	5	120	A19	E26	CL	3500K	450	90	320°	4.02	2.36	15K	045923124693	24/6
S12410	5A19/CL/LED/940/120V	5	120	A19	E26	CL	4000K	450	90	320°	4.02	2.36	15K	045923124105	24/6
S12411	5A19/CL/LED/950/120V	5	120	A19	E26	CL	5000K	450	90	320°	4.02	2.36	15K	045923124112	24/6
S12412	5A19/SW/LED/927/120V	5	120	A19	E26	SW	2700K	450	90	320°	4.02	2.36	15K	045923124129	24/6
S12413	5A19/SW/LED/930/120V	5	120	A19	E26	SW	3000K	450	90	320°	4.02	2.36	15K	045923124136	24/6
Multi-Pack															
S12460	5A19/CL/LED/927/4PK/120V	5	120	A19	E26	CL	2700K	450	90	280°	4.33	2.36	15K	045923124600	12-4pks
S12461	5A19/CL/LED/930/4PK/120V	5	120	A19	E26	CL	3000K	450	90	280°	4.33	2.36	15K	045923124617	12-4pks

*See warranty for details at www.satco.com

Product sheet SA2690



A19 FR

A19 CL

+A19 SLV

A19 GLD



Item	Description	W	V	Bulb Shape	Base	Finish	CCT	Lm	CRI	Beam	MOL (in.)	MOD (in.)	Life (hrs.)	UPC	Pack
60 Watt Replacement															
S12537	8A19/SLVR/LED/927/120V	8	120	A19	E26	SLV	2700K	650	90	180°	4.34	2.37	15K	045923125379	24/6
S12538	8A19/GOLD/LED/927/120V	8	120	A19	E26	GLD	2700K	650	90	180°	4.34	2.37	15K	045923125386	24/6
S39879*†	8A19/CL/LED/927/120V	8	120	A19	E26	CL	2700K	800	90	320°	4.13	2.38	15K	045923398797	24/6
S12414	8A19/CL/LED/927/120V	8	120	A19	E26	CL	2700K	800	90	320°	4.02	2.36	15K	045923124143	24/6
S12415	8A19/CL/LED/930/120V	8	120	A19	E26	CL	3000K	800	90	320°	4.02	2.36	15K	045923124150	24/6
S12416	8A19/CL/LED/935/120V	8	120	A19	E26	CL	3500K	800	90	320°	4.02	2.36	15K	045923124167	24/6
S12417	8A19/CL/LED/940/120V	8	120	A19	E26	CL	4000K	800	90	320°	4.02	2.36	15K	045923124174	24/6
S12418	8A19/CL/LED/950/120V	8	120	A19	E26	CL	5000K	800	90	320°	4.02	2.36	15K	045923124181	24/6
S12419	8.2A19/SW/LED/927/120V	8.2	120	A19	E26	SW	2700K	800	90	320°	4.02	2.36	15K	045923124198	24/6
S12420	8.2A19/SW/LED/930/120V	8.2	120	A19	E26	SW	3000K	800	90	320°	4.02	2.36	15K	045923124204	24/6
S11355*†	8A19/CL/LED/930/120V	8	120	A19	E26	CL	3000K	800	90	320°	4.30	2.36	15K	045923113550	24/6
S11356*†	8A19/SW/LED/927/120V	8	120	A19	E26	SW	2700K	800	90	320°	4.30	2.36	15K	045923113567	24/6
Multi-Pack															
S12462	8A19/CL/LED/927/4PK/120V	8	120	A19	E26	CL	2700K	800	90	280°	4.33	2.36	15K	045923124624	12-4 Pks
S12463	8A19/CL/LED/930/4PK/120V	8	120	A19	E26	CL	3000K	800	90	280°	4.33	2.36	15K	045923124631	12-4 Pks
S12464	8A19/CL/LED/940/4PK/120V	8	120	A19	E26	CL	4000K	800	90	280°	4.33	2.36	15K	045923124648	12-4 Pks
S12465	8A19/CL/LED/950/4PK/120V	8	120	A19	E26	CL	5000K	800	90	280°	4.33	2.36	15K	045923124655	12-4 Pks
S12466	8A19/SW/LED/927/4PK/120V	8	120	A19	E26	SW	2700K	800	90	280°	4.33	2.36	15K	045923124662	12-4 Pks
S12467	8A19/SW/LED/930/4PK/120V	8	120	A19	E26	SW	3000K	800	90	280°	4.33	2.36	15K	045923124679	12-4 Pks

*See warranty for details at www.satco.com. †Silver crown are 180° beam angle. T24/JA8.

Product sheet SA2690

90 CRI LED A19 FILAMENT LAMPS 75W, 100W REPLACEMENTS



A19 SW

A19 CL



Item	Description	W	V	Bulb Shape	Base	Finish	CCT	Lm	CRI	Beam	MOL (in.)	MOD (in.)	Life (hrs.)	UPC	Pack
75W Replacement															
S12422	10.5A19/CL/LED/927/120V	10.5	120	A19	E26	CL	2700K	1100	90	320°	4.02	2.36	15K	045923124228	24/6
S12423	10.5A19/CL/LED/930/120V	10.5	120	A19	E26	CL	3000K	1100	90	320°	4.02	2.36	15K	045923124235	24/6
S12469	10.5A19/CL/LED/935/120V	10.5	120	A19	E26	CL	3500K	1100	90	320°	4.02	2.36	15K	045923124693	24/6
S12424	10.5A19/CL/LED/940/120V	10.5	120	A19	E26	CL	4000K	1100	90	320°	4.02	2.36	15K	045923124242	24/6
S12425	10.5A19/CL/LED/950/120V	10.5	120	A19	E26	CL	5000K	1100	90	320°	4.02	2.36	15K	045923124259	24/6
S12426	11A19/SW/LED/927/120V	11	120	A19	E26	SW	2700K	1100	90	320°	4.02	2.36	15K	045923124266	24/6
S12427	11A19/SW/LED/930/120V	11	120	A19	E26	SW	3000K	1100	90	320°	4.02	2.36	15K	045923124273	24/6
S12428	11A19/SW/LED/940/120V	11	120	A19	E26	SW	4000K	1100	90	320°	4.02	2.36	15K	045923124280	24/6
S11357i*	11A19/CL/LED/927/120V	11	120	A19	E26	CL	2700K	1100	90	320°	4.30	2.36	15K	045923113574	24/6
S11358i*	11A19/CL/LED/930/120V	11	120	A19	E26	CL	3000K	1100	90	320°	4.30	2.36	15K	045923113581	24/6
S11359i*	11A19/SW/LED/927/120V	11	120	A19	E26	SW	2700K	1100	90	320°	4.30	2.36	15K	045923113598	24/6
Multi-Pack															
S12436	10.5A19/CL/LED/927/120V/4PK	10.5	120	A19	E26	CL	2700K	1100	90	320°	4.02	2.36	15K	045923124365	12-4pks
S12437	10.5A19/CL/LED/930/120V/4PK	10.5	120	A19	E26	CL	3000K	1100	90	320°	4.02	2.36	15K	045923124372	12-4pks
S12438	11A19/SW/LED/927/120V/4PK	11	120	A19	E26	SW	2700K	1100	90	320°	4.02	2.36	15K	045923124389	12-4pks
S12439*	11A19/SW/LED/930/120V/4PK	11	120	A19	E26	SW	3000K	1100	90	320°	4.02	2.36	15K	045923124396	12-4pks

See warranty for details at www.satco.com. *S12469 not T20. Product sheet SA2690



A19 SW

A19 CL

A19 SLV

A19 GLD



Item	Description	W	V	Bulb Shape	Base	Finish	CCT	Lm	CRI	Beam	MOL (in.)	MOD (in.)	Life (hrs.)	UPC	Pack
100W Replacement															
S12539	12A19/SLVR/LED/927/120V	12	120	A19	E26	SLV	2700K	1000	90	180°	4.34	2.37	15K	045923125393	24/6
S12540	12A19/GOLD/LED/927/120V	12	120	A19	E26	GLD	2700K	1000	90	180°	4.34	2.37	15K	045923125409	24/6
S12429	12.5A19/CL/LED/927/120V	12.5	120	A19	E26	CL	2700K	1500	90	320°	4.41	2.36	15K	045923124297	24/6
S12430	12.5A19/CL/LED/930/120V	12.5	120	A19	E26	CL	3000K	1500	90	320°	4.41	2.36	15K	045923124303	24/6
S12470	12.5A19/CL/LED/935/120V	12.5	120	A19	E26	CL	3500K	1500	90	300°	4.41	2.36	15K	045923124709	24/6
S12431	12.5A19/CL/LED/940/120V	12.5	120	A19	E26	CL	4000K	1500	90	320°	4.41	2.36	15K	045923124310	24/6
S12432	12.5A19/CL/LED/950/120V	12.5	120	A19	E26	CL	5000K	1500	90	320°	4.41	2.36	15K	045923124327	24/6
S12433	13.5A19/SW/LED/927/120V	13.5	120	A19	E26	SW	2700K	1500	90	320°	4.41	2.36	15K	045923124334	24/6
S12434	13.5A19/SW/LED/930/120V	13.5	120	A19	E26	SW	3000K	1500	90	320°	4.41	2.36	15K	045923124341	24/6
S12435	13.5A19/SW/LED/940/120V	13.5	120	A19	E26	SW	4000K	1500	90	320°	4.41	2.36	15K	045923124358	24/6
S11360i*	14A21/CL/LED/927/120V	14	120	A21	E26	CL	2700K	1600	90	320°	5.00	2.76	15K	045923113604	24/6
S11361i*	14A21/CL/LED/930/120V	14	120	A21	E26	CL	3000K	1600	90	320°	5.00	2.76	15K	045923113611	24/6
S11362i*	14A21/SW/LED/927/120V	14	120	A21	E26	SW	2700K	1600	90	320°	5.00	2.76	15K	045923113628	24/6
Multi-Pack															
S12442	12.5A19/CL/LED/927/120V/4PK	12.5	120	A19	E26	CL	2700K	1500	90	320°	4.41	2.36	15K	045923124426	12-4pks
S12443	12.5A19/CL/LED/930/120V/4PK	12.5	120	A19	E26	CL	3000K	1500	90	320°	4.41	2.36	15K	045923124433	12-4pks
S12440	13.5A19/FR/LED/927/120V/4PK	13.5	120	A19	E26	SW	2700K	1500	90	320°	4.41	2.36	15K	045923124402	12-4pks
S12441*	13.5A19/FR/LED/930/120V/4PK	13.5	120	A19	E26	SW	3000K	1500	90	320°	4.41	2.36	15K	045923124419	12-4pks

*See warranty for details at www.satco.com. ■T24/JA8.

Product sheet SA2690

RESIDENTIAL AND COMMERCIAL HIGH LUMEN FILAMENT LAMPS



Features:

- Replaces up to 200W incandescent
- Improved lumens per watt—higher efficiency
- LED filament and glass envelope construction
- Dimmable*
- Wet location
- T20 compliant†
- 3 year warranty



RESIDENTIAL AND COMMERCIAL HIGH LUMEN FILAMENT LAMPS



Item	Description	W	Bulb Shape	V	Base	Finish	CCT	Lm	CRI	Life/Hrs.	MOL (in.)	UPC	Pack
125 Watt Replacement													
S12444*	17A21/FR/LED/E26/930/120V	17	A21	120	E26	FR	3000	2000	90	15,000	5.2	045923124440	24/12
S12445**	17A21/FR/LED/E26/940/120V	17	A21	120	E26	FR	4000	2000	90	15,000	5.2	045923124457	24/12
S12446**	17A21/FR/LED/E26/950/120V	17	A21	120	E26	FR	5000	2000	90	15,000	5.2	045923124464	24/12
150 Watt Replacement													
S12447*	18.5A21/FR/LED/E26/830/120V	18.5	A21	120	E26	FR	3000	2610	80	15,000	5.2	045923124471	24/12
S12448*	18.5A21/FR/LED/E26/840/120V	18.5	A21	120	E26	FR	4000	2610	80	15,000	5.2	045923124488	24/12
S12449*	18.5A21/FR/LED/E26/850/120V	18.5	A21	120	E26	FR	5000	2610	80	15,000	5.2	045923124495	24/12
200 Watt Replacement													
S12450	21A23/FR/LED/E26/830/120V/ND	21	A23	120	E26	FR	3000	2900	80	15,000	5.6	045923124501	24/12
S12451	21A23/FR/LED/E26/840/120V/ND	21	A23	120	E26	FR	4000	2900	80	15,000	5.6	045923124518	24/12
S12452	21A23/FR/LED/E26/850/120V/ND	21	A23	120	E26	FR	5000	2900	80	15,000	5.6	045923124525	24/12

Product sheet SA2919

DECORATIVE LED FILAMENT LAMPS



Features:

- LED with a traditional incandescent look and feel
- Omni-directional light source
- Dimmable
- Wet location
- Approved for totally enclosed fixtures*
- c-UL-us or c-ETL-us listed
- CEC T20
- 3 year warranty



G16½ WH E12



G16½ CL E12



G16½ CL E26



G16½ WH E26

LED FILAMENT LAMPS GLOBES - G16½



Item	Description	W	V	Bulb Shape	Base	Finish	CCT	Lm	CRI	MOL (in.)	MOD (in.)	Life (hrs.)	UPC	Pack
25 Watt Replacement E12														
S21200	3G16.5/LED/CL/927/120V/E12	3	120	G16.5	E12	CL	2700K	200	90	3.11	1.97	15K	045923205156	24/6
S12471*	3G16.5/LED/CL/930/120V/E12	3	120	G16.5	E12	CL	3000K	200	90	3.11	1.97	15K	045923124716	24/6
S21201	3G16.5/LED/CL/940/120V/E12	3	120	G16.5	E12	CL	4000K	200	90	3.11	1.97	15K	045923205163	24/6
S21202	3G16.5/LED/WH/927/120V/E12	3	120	G16.5	E12	WH	2700K	200	90	3.11	1.97	15K	045923205170	24/6
S21203	3G16.5/LED/WH/940/120V/E12	3	120	G16.5	E12	WH	4000K	200	90	3.11	1.97	15K	045923205187	24/6
40 Watt Replacement E12														
S21204	4G16.5/LED/CL/927/120V/E12	4	120	G16.5	E12	CL	2700K	350	90	3.11	1.97	15K	045923205194	24/6
S21205	4G16.5/LED/CL/930/120V/E12	4	120	G16.5	E12	CL	3000K	350	90	3.11	1.97	15K	045923205200	24/6
S12472*	4G16.5/LED/CL/935/120V/E12	4	120	G16.5	E12	CL	3500K	350	90	3.11	1.97	15K	045923124723	24/6
S21206	4G16.5/LED/CL/940/120V/E12	4	120	G16.5	E12	CL	4000K	350	90	3.11	1.97	15K	045923205217	24/6
S12473*	4G16.5/LED/CL/950/120V/E12	4	120	G16.5	E12	CL	5000K	350	90	3.11	1.97	15K	045923124730	24/6
S21207	4.5G16.5/LED/WH/927/120V/E12	4.5	120	G16.5	E12	WH	2700K	350	90	3.11	1.97	15K	045923205224	24/6
S12474*	4.5G16.5/LED/WH/930/120V/E12	4.5	120	G16.5	E12	WH	3000K	350	90	3.11	1.97	15K	045923124747	24/6
S21208	4.5G16.5/LED/WH/940/120V/E12	4.5	120	G16.5	E12	WH	4000K	350	90	3.11	1.97	15K	045923205231	24/6
40 Watt Replacement E12-Carded														
S21810	4G16.5/LED/CL/927/120V/E12/2CD	4	120	G16.5	E12	CL	2700K	350	90	3.11	1.97	15K	045923218101	24/12
S21811	4G16.5/LED/CL/930/120V/E12/2CD	4	120	G16.5	E12	CL	3000K	350	90	3.11	1.97	15K	045923218118	24/12
S21875	4G16.5/LED/CL/950/120V/E12/2CD	4	120	G16.5	E12	CL	5000K	350	90	3.11	1.97	15K	045923218750	24/12
S21812	4.5G16.5/LED/WH/927/120V/E12/2CD	4.5	120	G16.5	E12	WH	2700K	350	90	3.11	1.97	15K	045923218125	24/12
S21876	4.5G16.5/LED/WH/950/120V/E12/2	4.5	120	G16.5	E12	WH	5000K	350	90	3.11	1.97	15K	045923218767	24/12
40 Watt Replacement E26														
S21215	4G16.5/LED/CL/927/120V/E26	4	120	G16.5	E26	CL	2700K	350	90	3.11	1.97	15K	045923205309	24/6
S21216	4G16.5/LED/CL/930/120V/E26	4	120	G16.5	E26	CL	3000K	350	90	3.11	1.97	15K	045923205316	24/6
S12475*	4G16.5/LED/CL/935/120V/E26	4	120	G16.5	E26	CL	3500K	350	90	3.11	1.97	15K	045923124754	24/6
S21217	4G16.5/LED/CL/940/120V/E26	4	120	G16.5	E26	CL	4000K	350	90	3.11	1.97	15K	045923205323	24/6
S12476*	4G16.5/LED/CL/950/120V/E26	4	120	G16.5	E26	CL	5000K	350	90	3.11	1.97	15K	045923124761	24/6
S21218	4.5G16.5/LED/WH/927/120V/E26	4.5	120	G16.5	E26	WH	2700K	350	90	3.11	1.97	15K	045923205330	24/6
S21219	4.5G16.5/LED/WH/940/120V/E26	4.5	120	G16.5	E26	WH	4000K	350	90	3.11	1.97	15K	045923205347	24/6
40 Watt Replacement E26-Carded														
S21815	4G16.5/LED/CL/927/120V/E26/2CD	4	120	G16.5	E26	CL	2700K	350	90	3.11	1.97	15K	045923218156	24/12
S21877	4G16.5/LED/CL/950/120V/E26/2CD	4	120	G16.5	E26	CL	5000K	350	90	3.11	1.97	15K	045923218774	24/12
S21816	4.5G16.5/LED/WH/927/120V/E26/2CD	4.5	120	G16.5	E26	WH	2700K	350	90	3.11	1.97	15K	045923218163	24/12
S21878	4.5G16.5/LED/WH/950/120V/E26/2CD	4.5	120	G16.5	E26	WH	5000K	350	90	3.11	1.97	15K	045923218781	24/12
60 Watt Replacement E12														
S21209	5.5G16.5/LED/CL/927/120V/E12	5.5	120	G16.5	E12	CL	2700K	500	90	3.11	1.97	15K	045923205248	24/6
S21210	5.5G16.5/LED/CL/930/120V/E12	5.5	120	G16.5	E12	CL	3000K	500	90	3.11	1.97	15K	045923205255	24/6
S12477*	5.5G16.5/LED/CL/935/120V/E12	5.5	120	G16.5	E12	CL	3500K	500	90	3.11	1.97	15K	045923124778	24/6
S21211	5.5G16.5/LED/CL/940/120V/E12	5.5	120	G16.5	E12	CL	4000K	500	90	3.11	1.97	15K	045923205262	24/6
S12478*	5.5G16.5/LED/CL/950/120V/E12	5.5	120	G16.5	E12	CL	5000K	500	90	3.11	1.97	15K	045923124785	24/6
S21212	5.5G16.5/LED/WH/927/120V/E12	5.5	120	G16.5	E12	WH	2700K	500	90	3.11	1.97	15K	045923205279	24/6
S21213	5.5G16.5/LED/WH/930/120V/E12	5.5	120	G16.5	E12	WH	3000K	500	90	3.11	1.97	15K	045923205286	24/6
S21214	5.5G16.5/LED/WH/940/120V/E12	5.5	120	G16.5	E12	WH	4000K	500	90	3.11	1.97	15K	045923205293	24/6
60 Watt Replacement E12-Carded														
S21813	5.5G16.5/LED/CL/927/120V/E12/2CD	5.5	120	G16.5	E12	CL	2700K	500	90	3.11	1.97	15K	045923218132	24/12
S21814	5.5G16.5/LED/WH/927/120V/E12/2CD	5.5	120	G16.5	E12	WH	2700K	500	90	3.11	1.97	15K	045923218149	24/12
60 Watt Replacement E26														
S21220	5.5G16.5/LED/CL/927/120V/E26	5.5	120	G16.5	E26	CL	2700K	500	90	3.11	1.97	15K	045923205354	24/6
S21221	5.5G16.5/LED/CL/930/120V/E26	5.5	120	G16.5	E26	CL	3000K	500	90	3.11	1.97	15K	045923205361	24/6
S12479*	5.5G16.5/LED/CL/935/120V/E26	5.5	120	G16.5	E26	CL	3500K	500	90	3.11	1.97	15K	045923124792	24/6
S21222	5.5G16.5/LED/CL/940/120V/E26	5.5	120	G16.5	E26	CL	4000K	500	90	3.11	1.97	15K	045923205378	24/6
S12480*	5.5G16.5/LED/CL/950/120V/E26	5.5	120	G16.5	E26	CL	5000K	500	90	3.11	1.97	15K	045923124808	24/6
S21223	5.5G16.5/LED/WH/927/120V/E26	5.5	120	G16.5	E26	WH	2700K	500	90	3.11	1.97	15K	045923205385	24/6
S21224	5.5G16.5/LED/WH/930/120V/E26	5.5	120	G16.5	E26	WH	3000K	500	90	3.11	1.97	15K	045923205392	24/6
S21225	5.5G16.5/LED/WH/940/120V/E26	5.5	120	G16.5	E26	WH	4000K	500	90	3.11	1.97	15K	045923205408	24/6

*See warranty for details at www.satco.com. *cULus rated.

LED FILAMENT LAMPS GLOBES - G25 40W & 60W REPLACEMENTS

Features:

- LED with a traditional incandescent look and feel
- Omni-directional light source
- Dimmable
- Wet location
- Approved for totally enclosed fixtures ^
- c-UL-us or c-ETL-us listed
- CEC T20
- 3 year warranty



G25 Clear

G25 White

G25 SLV

G25 GLD



Item	Description	W	V	Bulb Shape	Base	Finish	CCT	Lm	CRI	MOL (in.)	MOD (in.)	Life (hrs.)	UPC	Pack
40 Watt Replacement														
S21226	4.5G25/LED/CL/927/120V	4.5	120	G25	E26	CL	2700K	350	90	4.45	3.15	15K	045923205415	24/6
S21227	4.5G25/LED/CL/930/120V	4.5	120	G25	E26	CL	3000K	350	90	4.45	3.15	15K	045923205422	24/6
S12481	4.5G25/LED/CL/935/120V	4.5	120	G25	E26	CL	3500K	350	92	4.45	3.15	15K	045923124815	24/6
S21228	4.5G25/LED/CL/940/120V	4.5	120	G25	E26	CL	4000K	350	90	4.45	3.15	15K	045923205439	24/6
S21229	4.5G25/LED/CL/950/120V	4.5	120	G25	E26	CL	5000K	350	90	4.45	3.15	15K	045923205446	24/6
S21230	4.5G25/LED/WH/927/120V	4.5	120	G25	E26	WH	2700K	350	90	4.45	3.15	15K	045923205453	24/6
S21231	4.5G25/LED/WH/930/120V	4.5	120	G25	E26	WH	3000K	350	90	4.45	3.15	15K	045923205460	24/6
S21232	4.5G25/LED/WH/940/120V	4.5	120	G25	E26	WH	4000K	350	90	4.45	3.15	15K	045923205477	24/6
S21233	4.5G25/LED/WH/950/120V	4.5	120	G25	E26	WH	5000K	350	90	4.45	3.15	15K	045923205484	24/6
Multi-Pack														
S21242	4.5G25/LED/CL/927/120V/2PK	4.5	120	G25	E26	CL	2700K	350	90	4.45	3.15	15K	045923205576	24/2pks
S21243	4.5G25/LED/CL/930/120V/2PK	4.5	120	G25	E26	CL	3000K	350	90	4.45	3.15	15K	045923205583	24/2pks
S21244	4.5G25/LED/WH/927/120V/2PK	4.5	120	G25	E26	WH	2700K	350	90	4.45	3.15	15K	045923205590	24/2pks
60 Watt Replacement														
S12541	5.5G25/SLVR/LED/927/120V	5.5	120	G25	E26	SLV	2700K	500	90	4.53	3.15	15K	045923125416	24/6
S12542	5.5G25/GOLD/LED/927/120V	5.5	120	G25	E26	GLD	2700K	500	90	4.53	3.15	15K	045923125423	24/6
S29878†	5.5G25/LED/CL/927/120V	5.5	120	G25	E26	CL	2700K	500	90	4.45	3.15	15K	045923298783	24/6
S21234	6G25/LED/CL/927/120V	6	120	G25	E26	CL	2700K	500	90	4.45	3.15	15K	045923205491	24/6
S21235	6G25/LED/CL/930/120V	6	120	G25	E26	CL	3000K	500	90	4.45	3.15	15K	045923205507	24/6
S12482	6G25/LED/CL/935/120V	6	120	G25	E26	CL	3500K	500	90	4.45	3.15	15K	045923124822	24/6
S21236	6G25/LED/CL/940/120V	6	120	G25	E26	CL	4000K	500	90	4.45	3.15	15K	045923205514	24/6
S21237	6G25/LED/CL/950/120V	6	120	G25	E26	CL	5000K	500	90	4.45	3.15	15K	045923205521	24/6
S21238	6G25/LED/WH/927/120V	6	120	G25	E26	WH	2700K	500	90	4.45	3.15	15K	045923205538	24/6
S21239	6G25/LED/WH/930/120V	6	120	G25	E26	WH	3000K	500	90	4.45	3.15	15K	045923205545	24/6
S12483	6G25/LED/WH/935/120V	6	120	G25	E26	WH	3500K	500	90	4.45	3.15	15K	045923124839	24/6
S21240	6G25/LED/WH/940/120V	6	120	G25	E26	WH	4000K	500	90	4.45	3.15	15K	045923205552	24/6
S21241	6G25/LED/WH/950/120V	6	120	G25	E26	WH	5000K	500	90	4.45	3.15	15K	045923205569	24/6
Multi-Pack														
S21245	6G25/LED/CL/927/120V/2PK	6	120	G25	E26	CL	2700K	500	90	4.45	3.15	15K	045923205606	24/2pks
S21246	6G25/LED/CL/930/120V/2PK	6	120	G25	E26	CL	3000K	500	90	4.45	3.15	15K	045923205613	24/2pks
S21247	6G25/LED/WH/927/120V/2PK	6	120	G25	E26	WH	2700K	500	90	4.45	3.15	15K	045923205620	24/2pks

^ See warranty for details at www.satco.com. †Damp Rated.

Product sheet SA1980

LED FILAMENT LAMPS GLOBES - G40 40W, 60W, & 100W REPLACEMENTS

Features:

- LED with a traditional incandescent look and feel
- Omni-directional light source
- Dimmable
- Wet location
- Approved for totally enclosed fixtures ^
- c-UL-us or c-ETL-us listed
- 3 year warranty

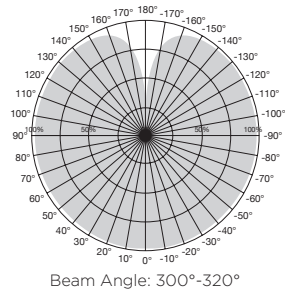


G40 Clear

G40 White

G40 SLV

G40 GLD



Item	Description	W	V	Bulb Shape	Base	Finish	CCT	Lm	CRI	MOL (in.)	MOD (in.)	Life (hrs.)	UPC	Pack
40 Watt Replacement														
S21248	4G40/CL/LED/E26/927/120V	4	120	G40	E26	CL	2700K	350	90	6.54	4.88	15K	045923205637	24/6
S12484	4G40/CL/LED/E26/930/120V	4	120	G40	E26	CL	3000K	350	90	6.54	4.88	15K	0459232124846	24/6
S21249	4G40/CL/LED/E26/940/120V	4	120	G40	E26	CL	4000K	350	90	6.54	4.88	15K	045923205644	24/6
S21250	4.5G40/WH/LED/E26/927/120V	4.5	120	G40	E26	WH	2700K	350	90	6.54	4.88	15K	045923205651	24/6
S21251	4.5G40/WH/LED/E26/940/120V	4.5	120	G40	E26	WH	4000K	350	90	6.54	4.88	15K	045923205668	24/6
60 Watt Replacement														
S21252	6G40/CL/LED/E26/927/120V	6	120	G40	E26	CL	2700K	500	90	6.54	4.88	15K	045923205675	24/6
S21253	6G40/CL/LED/E26/930/120V	6	120	G40	E26	CL	3000K	500	90	6.54	4.88	15K	045923205682	24/6
S12485	6G40/CL/LED/E26/935/120V	6	120	G40	E26	CL	3500K	500	90	6.54	4.88	15K	0459232124853	24/6
S21254	6G40/CL/LED/E26/940/120V	6	120	G40	E26	CL	4000K	500	90	6.54	4.88	15K	045923205699	24/6
S12486	6G40/CL/LED/E26/950/120V	6	120	G40	E26	CL	5000K	500	90	6.54	4.88	15K	0459232124860	24/6
S21255	6G40/WH/LED/E26/927/120V	6	120	G40	E26	WH	2700K	500	90	6.54	4.88	15K	045923205705	24/6
S21256	6G40/WH/LED/E26/930/120V	6	120	G40	E26	WH	3000K	500	90	6.54	4.88	15K	045923205712	24/6
S21257	6G40/WH/LED/E26/940/120V	6	120	G40	E26	WH	4000K	500	90	6.54	4.88	15K	045923205729	24/6
S12487	8G40/CL/LED/E26/927/120V	6	120	G40	E26	WH	2700K	800	90	6.54	4.88	15K	0459232124877	24/6
100 Watt Replacement														
S12545	8G40/SLVR/LED/927/120V	8	120	G40	E26	SLV	2700K	800	90	6.97	4.92	15K	045923125454	12/6
S12546	8G40/GOLD/LED/927/120V	8	120	G40	E26	GLD	2700K	800	90	6.97	4.92	15K	045923125461	12/6
S21258**	8G40/CL/LED/E26/930/120V	8	120	G40	E26	CL	3000K	800	90	6.54	4.88	15K	045923205736	24/6
S12488	8G40/CL/LED/E26/935/120V	8	120	G40	E26	CL	3500K	800	90	6.54	4.88	15K	0459232124884	24/6
S21259**	8G40/CL/LED/E26/940/120V	8	120	G40	E26	CL	4000K	800	90	6.54	4.88	15K	045923205743	24/6
S12489	8G40/CL/LED/E26/950/120V	8	120	G40	E26	CL	5000K	800	90	6.54	4.88	15K	0459232124891	24/6
S21260	8G40/WH/LED/E26/930/120V	8	120	G40	E26	WH	3000K	800	90	6.54	4.88	15K	045923205750	24/6
S21261	8G40/WH/LED/E26/940/120V	8	120	G40	E26	WH	4000K	800	90	6.54	4.88	15K	045923205767	24/6

*See warranty for details at www.satco.com

Product sheet SA1980

LED FILAMENT LAMPS DECORATIVE - CANDELABRA BASE/TORPEDO SHAPE



Features:

- Filament style LED with a traditional incandescent look and feel
- Omni-directional light source
- Dimmable
- Wet location
- Approved for totally enclosed fixtures ^
- c-UL-us/c-ETL-us listed
- CEC T20*
- 3 year warranty



B11 Clear



B11 Frost



Item	Description	W	V	Bulb Shape	Base	Finish	CCT	Lm	CRI	MOL(in.)	MOD(in.)	Life(hrs.)	UPC	Pack	
25 Watt Replacement															
S21262	3B11/LED/927/CL/120V/E12	3	120	B11	E12	CL	2700K	200	90	3.97	1.38	15K	045923205774	24/6	
S12490*	3B11/LED/930/CL/120V/E12	3	120	B11	E12	CL	3000K	200	90	3.97	1.38	15K	045923124907	24/6	
S21263	3B11/LED/927/FR/120V/E12	3	120	B11	E12	FR	2700K	200	90	3.97	1.38	15K	045923205781	24/6	
S12491	3B11/LED/930/FR/120V/E12	3	120	B11	E12	FR	3000K	200	90	3.97	1.38	15K	045923124914	24/6	
25 Watt Replacement E12-Carded															
S21817	3B11/LED/927/CL/120V/E12/2CD	3	120	B11	E12	CL	2700K	200	90	3.97	1.38	15K	045923218170	24/12	
S21818	3B11/LED/927/FR/120V/E12/2CD	3	120	B11	E12	FR	2700K	200	90	3.97	1.38	15K	045923218187	24/12	
40 Watt Replacement															
S21264	4B11/LED/927/CL/120V/E12	4	120	B11	E12	CL	2700K	350	90	3.97	1.38	15K	045923205798	24/6	
S21265	4B11/LED/930/CL/120V/E12	4	120	B11	E12	CL	3000K	350	90	3.97	1.38	15K	045923205804	24/6	
S21266	4B11/LED/935/CL/120V/E12	4	120	B11	E12	CL	3500K	350	90	3.97	1.38	15K	045923205811	24/6	
S21267	4B11/LED/940/CL/120V/E12	4	120	B11	E12	CL	4000K	350	90	3.97	1.38	15K	045923205828	24/6	

Continued next page



Item	Description	W	V	Bulb Shape	Base	Finish	CCT	Lm	CRI	MOL(in.)	MOD(in.)	Life(hrs.)	UPC	Pack
40 Watt Replacement (cont.)														
S21268	4B11/LED/950/CL/120V/E12	4	120	B11	E12	CL	5000K	350	90	3.97	1.38	15K	045923205835	24/6
S21269	4B11/LED/927/FR/120V/E12	4	120	B11	E12	FR	2700K	350	90	3.97	1.38	15K	045923205842	24/6
S21270	4B11/LED/930/FR/120V/E12	4	120	B11	E12	FR	3000K	350	90	3.97	1.38	15K	045923205859	24/6
S21271	4B11/LED/940/FR/120V/E12	4	120	B11	E12	FR	4000K	350	90	3.97	1.38	15K	045923205866	24/6
S21272	4B11/LED/950/FR/120V/E12	4	120	B11	E12	FR	5000K	350	90	3.97	1.38	15K	045923205873	24/6
S29877*	4.5B11/LED/927/CL/120V/E12	4.5	120	B11	E12	CL	2700K	350	90	3.75	1.25	15K	045923298776	24/6
40 Watt Multi-Pack-Box														
S21366	4B11/LED/927/CL/120V/E12/3PK	4	120	B11	E12	CL	2700K	350	90	3.97	1.38	15K	045923206733	24/3pks
S21367	4B11/LED/930/CL/120V/E12/3PK	4	120	B11	E12	CL	3000K	350	90	3.97	1.38	15K	045923206740	24/3pks
S12492	4B11/LED/930/CL/120V/E12/10PK	4	120	B11	E12	CL	3000K	350	90	3.97	1.38	15K	045923124941	12/10
S12493	4B11/LED/950/CL/120V/E12/10PK	4	120	B11	E12	CL	5000K	350	90	3.97	1.38	15K	045923124938	12/10
40 Watt Replacement E14														
S12115	4.5W/TORP/EURO-E14/CL/120V	4.5	120	B11	E14	CL	3000K	350	80	3.88	1.38	15K	045923121159	24/6
S12116	4.5W/TORP/EURO-E14/CL/120V	4.5	120	B11	E14	CL	4000K	350	80	3.88	1.38	15K	045923121166	24/6
S12117	4.5W/TORP/EURO-E14/FR/120V	4.5	120	B11	E14	FR	3000K	350	80	3.88	1.38	15K	045923121173	24/6
S12118	4.5W/TORP/EURO-E14/FR/120V	4.5	120	B11	E14	FR	4000K	350	80	3.88	1.38	15K	045923121180	24/6
40 Watt Replacement E12-Carded														
S21819	4B11/LED/927/CL/120V/E12/2CD	4	120	B11	E12	CL	2700K	350	90	3.97	1.38	15K	045923218194	24/12
S21820	4B11/LED/930/CL/120V/E12/2CD	4	120	B11	E12	CL	3000K	350	90	3.97	1.38	15K	045923218200	24/12
S21821	4B11/LED/930/CL/120V/E12/4CD	4	120	B11	E12	CL	3000K	350	90	3.97	1.38	15K	045923218217	24/12
S21822	4B11/LED/950/CL/120V/E12/2CD	4	120	B11	E12	CL	5000K	350	90	3.97	1.38	15K	045923218224	24/12
S21823	4B11/LED/927/FR/120V/E12/2CD	4	120	B11	E12	FR	2700K	350	90	3.97	1.38	15K	045923218231	24/12
S21824	4B11/LED/930/FR/120V/E12/2CD	4	120	B11	E12	FR	3000K	350	90	3.97	1.38	15K	045923218248	24/12
S21825	4B11/LED/930/FR/120V/E12/4CD	4	120	B11	E12	FR	3000K	350	90	3.97	1.38	15K	045923218255	24/12
S21826	4B11/LED/950/FR/120V/E12/2CD	4	120	B11	E12	FR	5000K	350	90	3.97	1.38	15K	045923218262	24/12
60 Watt Replacement														
S21273	5.5B11/LED/927/CL/120V/E12	5.5	120	B11	E12	CL	2700K	500	90	3.97	1.38	15K	045923205880	24/6
S21274	5.5B11/LED/930/CL/120V/E12	5.5	120	B11	E12	CL	3000K	500	90	3.97	1.38	15K	045923205897	24/6
S21275	5.5B11/LED/935/CL/120V/E12	5.5	120	B11	E12	CL	3500K	500	90	3.97	1.38	15K	045923205903	24/6
S21276	5.5B11/LED/940/CL/120V/E12	5.5	120	B11	E12	CL	4000K	500	90	3.97	1.38	15K	045923205910	24/6
S21277	5.5B11/LED/950/CL/120V/E12	5.5	120	B11	E12	CL	5000K	500	90	3.97	1.38	15K	045923205927	24/6
S21278	5.5B11/LED/927/FR/120V/E12	5.5	120	B11	E12	FR	2700K	500	90	3.97	1.38	15K	045923205934	24/6
S21279	5.5B11/LED/930/FR/120V/E12	5.5	120	B11	E12	FR	3000K	500	90	3.97	1.38	15K	045923205941	24/6
S21280	5.5B11/LED/940/FR/120V/E12	5.5	120	B11	E12	FR	4000K	500	90	3.97	1.38	15K	045923205958	24/6
S21281	5.5B11/LED/950/FR/120V/E12	5.5	120	B11	E12	FR	5000K	500	90	3.97	1.38	15K	045923205965	24/6
60 Watt Replacement Multi-Pack Box														
S12494	5.5B11/LED/930/CL/120V/E12/10PK	5.5	120	B11	E12	CL	3000K	500	90	3.97	1.38	15K	045923124945	12/10
S12495	5.5B11/LED/950/CL/120V/E12/10PK	5.5	120	B11	E12	CL	5000K	500	90	3.97	1.38	15K	045923124952	12/10
60 Watt Replacement E12-Carded														
S21827	5.5B11/LED/927/CL/120V/E12/2CD	5.5	120	B11	E12	CL	2700K	500	90	3.97	1.38	15K	045923218279	24/12
S21828	5.5B11/LED/930/CL/120V/E12/2CD	5.5	120	B11	E12	CL	3000K	500	90	3.97	1.38	15K	045923218286	24/12
S21829	5.5B11/LED/950/CL/120V/E12/2CD	5.5	120	B11	E12	CL	5000K	500	90	3.97	1.38	15K	045923128295	24/12
S21830	5.5B11/LED/927/FR/120V/E12/2CD	5.5	120	B11	E12	FR	2700K	500	90	3.97	1.38	15K	045923218309	24/12
S21831	5.5B11/LED/950/FR/120V/E12/2CD	5.5	120	B11	E12	FR	5000K	500	90	3.97	1.38	15K	045923218316	24/12
75 Watt Replacement														
S11383	8B11/CTC/LED/927/120V/E12	8	120	B11	E12	CL	2700K	760	90	3.86	1.38	15K	045923113833	24/6
S11385	8B11/CTC/LED/930/120V/E12	8	120	B11	E12	CL	3000K	760	90	3.86	1.38	15K	045923113857	24/6
S12496	8B11/CTC/LED/935/120V/E12	8	120	B11	E12	CL	3500K	760	90	3.86	1.38	15K	045923124969	24/6
S11344	8B11/CTC/LED/940/120V/E12	8	120	B11	E12	CL	4000K	760	90	3.86	1.38	15K	045923113444	24/6
S11345	8B11/CTC/LED/950/120V/E12	8	120	B11	E12	CL	5000K	760	90	3.86	1.38	15K	045923113451	24/6
S11384	8B11/CTF/LED/927/120V/E12	8	120	B11	E12	FR	2700K	760	90	3.86	1.38	15K	045923113840	24/6
S11346	8B11/CTF/LED/930/120V/E12	8	120	B11	E12	FR	3000K	760	90	3.86	1.38	15K	045923113468	24/6
S12497	8B11/CTF/LED/940/120V/E12	8	120	B11	E12	FR	4000K	760	90	3.86	1.38	15K	045923124976	24/6
S12498	8B11/CTF/LED/950/120V/E12	8	120	B11	E12	FR	5000K	760	90	3.86	1.38	15K	045923124983	24/6

*See warranty for details at www.satco.com

LED CANDELABRA DUSK-TO-DAWN



Features:

Built-in photocell sensor ensures that these bulbs automatically turn on at dusk and off at dawn, making them energy efficient and low maintenance

Enhance safety and security with lights that turn ON only when it's dark enough to be needed

Clear glass bulb with internal filaments for a classic look with updated energy savings

Available in 2700K and 5000K CCT options for warm or natural illumination, improving safety and ambiance



LED CANDELABRA DUSK-TO-DAWN



Item	Description	W	V	Bulb Shape	Base	CCT	Lm	MOL (in.)	MOD (in.)	Life/Hrs.	UPC	Pack
60 Watt Replacement												
S11477	5B11/DUSK/DAWN/927	5	120	B11	E12	2700K	500	4.02	1.38	15,000	045923114779	48/12
S11478	5B11/DUSK/DAWN/950	5	120	B11	E12	5000K	500	4.02	1.38	15,000	045923114786	48/12

Product sheet SN1685

LED FILAMENT LAMPS DECORATIVE - MEDIUM BASE/TORPEDO

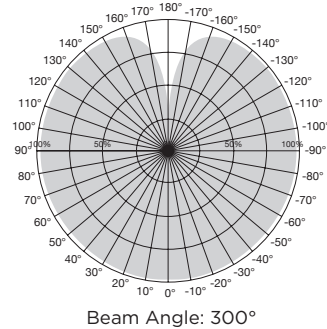


Features:

- LED with a traditional incandescent look and feel
- Omni-directional light source
- Dimmable
- Wet location
- Approved for totally enclosed fixtures ^
- c-UL-us/c-ETL-us listed
- CEC T20
- 3 year warranty



LED FILAMENT LAMPS DECORATIVE - MEDIUM BASE/TORPEDO



Item	Description	W	V	Bulb Shape	Base	Finish	CCT	Lm	CRI	MOL (in.)	MOD (in.)	Life (hrs.)	UPC	Pack
25 Watt Replacement														
S21282	3B11/LED/927/CL/120V/E26	3	120	B11	E26	CL	2700K	250	90	3.58	1.38	15K	045923124990	24/6
S12499	3B11/LED/930/CL/120V/E26	3	120	B11	E26	CL	3000K	250	90	3.58	1.38	15K	045923205972	24/6
S21283	3B11/LED/927/FR/120V/E26	3	120	B11	E26	FR	2700K	250	90	3.58	1.38	15K	045923205989	24/6
25 Watt Replacement E26-Carded														
S21832	3B11/LED/927/CL/120V/E26/2CD	3	120	B11	E26	CL	2700K	250	90	3.58	1.38	15K	045923218323	24/12
S21833	3B11/LED/927/FR/120V/E26/2CD	3	120	B11	E26	FR	2700K	250	90	3.58	1.38	15K	045923218330	24/12
40 Watt Replacement														
S21284	4B11/LED/927/CL/120V/E26	4	120	B11	E26	CL	2700K	350	90	3.58	1.38	15K	045923205996	24/6
S21285	4B11/LED/930/CL/120V/E26	4	120	B11	E26	CL	3000K	350	90	3.58	1.38	15K	045923206009	24/6
S12500	4B11/LED/935/CL/120V/E26	4	120	B11	E26	CL	3500K	350	90	3.58	1.38	15K	045923125003	24/6
S21286	4B11/LED/940/CL/120V/E26	4	120	B11	E26	CL	4000K	350	90	3.58	1.38	15K	045923206016	24/6
S12501	4B11/LED/950/CL/120V/E26	4	120	B11	E26	CL	5000K	350	90	3.58	1.38	15K	045923125010	24/6
S21287	4B11/LED/927/FR/120V/E26	4	120	B11	E26	FR	2700K	350	90	3.58	1.38	15K	045923206023	24/6
S21288	4B11/LED/930/FR/120V/E26	4	120	B11	E26	FR	3000K	350	90	3.58	1.38	15K	045923206030	24/6
S21289	4B11/LED/940/FR/120V/E26	4	120	B11	E26	FR	4000K	350	90	3.58	1.38	15K	045923206047	24/6
S21368	4B11/LED/927/CL/120V/E26	4	120	B11	E26	CL	2700K	350	90	3.58	1.38	15K	045923206757	24/6
S21369	4B11/LED/930/CL/120V/E26	4	120	B11	E26	CL	3000K	350	90	3.58	1.38	15K	045923206764	24/6
40 Watt Replacement Carded														
S21879	4B11/LED/950/CL/120V/E26/2CD	4	120	B11	E26	CL	5000K	350	90	3.58	1.38	15K	045923218798	24/12
S21880	4B11/LED/950/FR/120V/E26/2CD	4	120	B11	E26	FR	5000K	350	90	3.58	1.38	15K	045923218804	24/12
S21834	4B11/LED/927/CL/120V/E26/2CD	4	120	B11	E26	CL	2700K	350	90	3.58	1.38	15K	045923218347	24/12
S21835	4B11/LED/930/CL/120V/E26/2CD	4	120	B11	E26	CL	3000K	350	90	3.58	1.38	15K	045923218354	24/12
S21836	4B11/LED/927/FR/120V/E26/2CD	4	120	B11	E26	FR	2700K	350	90	3.58	1.38	15K	045923218361	24/12
60 Watt Replacement														
S21290	5.5B11/LED/927/CL/120V/E26	5.5	120	B11	E26	CL	2700K	500	90	3.58	1.38	15K	045923206054	24/6
S12502	5.5B11/LED/930/CL/120V/E26	5.5	120	B11	E26	CL	3000K	500	90	3.58	1.38	15K	045923125027	24/6
S12503	5.5B11/LED/935/CL/120V/E26	5.5	120	B11	E26	CL	3500K	500	90	3.58	1.38	15K	045923125034	24/6
S21291	5.5B11/LED/940/CL/120V/E26	5.5	120	B11	E26	CL	4000K	500	90	3.58	1.38	15K	045923206061	24/6
S12504	5.5B11/LED/950/CL/120V/E26	5.5	120	B11	E26	CL	5000K	500	90	3.58	1.38	15K	045923125041	24/6
S21292	5.5B11/LED/927/FR/120V/E26	5.5	120	B11	E26	FR	2700K	500	90	3.58	1.38	15K	045923206078	24/6
S21293	5.5B11/LED/940/FR/120V/E26	5.5	120	B11	E26	FR	4000K	500	90	3.58	1.38	15K	045923206085	24/6
60 Watt Replacement Carded														
S21837	5.5B11/LED/927/CL/120V/E26/2CD	5.5	120	B11	E26	CL	2700K	500	90	3.58	1.38	15K	045923218378	24/12
S21881	5.5B11/LED/950/CL/120V/E26/2CD	5.5	120	B11	E26	CL	5000K	500	90	3.58	1.38	15K	045923218811	24/12
S21838	5.5B11/LED/927/FR/120V/E26/2CD	5.5	120	B11	E26	FR	2700K	500	90	3.58	1.38	15K	045923218385	24/12
S21882	5.5B11/LED/950/FR/120V/E26/2CD	5.5	120	B11	E26	FR	5000K	500	90	3.58	1.38	15K	045923218828	24/12

*See warranty for details at www.satco.com

LED FILAMENT LAMPS PRISMATIC CHANDELIER & DECORATIVE-FLAME TIP



Features:

- LED with a traditional incandescent look and feel
- Omni-directional light source
- Dimmable
- Damp and wet location
- Approved for totally enclosed fixtures[^]
- c-ETL-us or cULus listed
- 3 year warranty



LED FILAMENT LAMPS PRISMATIC CHANDELIER & DECORATIVE-FLAME TIP



Item	Description	W	V	Bulb Shape	Base	Finish	CCT	Lm	CRI	MOL (in.)	MOD (in.)	Life (hrs.)	UPC	Pack
25 Watt Replacement														
S21294	3CA10/LED/927/CL/120V/E12	3	120	CA10	E12	CL	2700K	200	90	4.72	1.38	15K	045923206092	24/6
S12505	3CA10/LED/930/CL/120V/E12	3	120	CA10	E12	CL	3000K	200	90	4.72	1.38	15K	045923125058	24/6
S21295	3CA10/LED/927/FR/120V/E12	3	120	CA10	E12	FR	2700K	200	90	4.72	1.38	15K	045923206108	24/6
25 Watt Replacement														
S12140	2HEX11/LED/CL/827/E12/120V/2CD	2	120	HX11	E12	CL	2700K	150	80	4.73	1.26	15K	045923121401	24/12
S12141	2HEX11/LED/FR/827/E12/120V/2CD	2	120	HX11	E12	FR	2700K	150	80	4.73	1.26	15K	045923121418	24/12
S12142	2HEX11/LED/AU/827/E12/120V/2CD	2	120	HX11	E12	AU	2700K	150	80	4.73	1.26	15K	045923121425	24/12
S21839	3CA10/LED/927/CL/120V/E12/2CD	3	120	CA10	E12	CL	2700K	200	90	4.72	1.38	15K	045923218392	24/12
40 Watt Replacement														
S21296	4CA10/LED/927/CL/120V/E12	4	120	CA10	E12	CL	2700K	350	90	4.72	1.38	15K	045923206115	24/6
S21297	4CA10/LED/930/CL/120V/E12	4	120	CA10	E12	CL	3000K	350	90	4.72	1.38	15K	045923206122	24/6
S12506	4CA10/LED/935/CL/120V/E12	4	120	CA10	E12	CL	3500K	350	90	4.72	1.38	15K	045923125065	24/6
S21298	4CA10/LED/940/CL/120V/E12	4	120	CA10	E12	CL	4000K	350	90	4.72	1.38	15K	045923206139	24/6
S21299	4CA10/LED/950/CL/120V/E12	4	120	CA10	E12	CL	5000K	350	90	4.72	1.38	15K	045923206146	24/6
S21300	4CA10/LED/927/FR/120V/E12	4	120	CA10	E12	FR	2700K	350	90	4.72	1.38	15K	045923206153	24/6
S21301	4CA10/LED/930/FR/120V/E12	4	120	CA10	E12	FR	3000K	350	90	4.72	1.38	15K	045923206160	24/6
S12507	4CA10/LED/935/FR/120V/E12	4	120	CA10	E12	FR	3500K	350	90	4.72	1.38	15K	045923125072	24/6
S21302	4CA10/LED/940/FR/120V/E12	4	120	CA10	E12	FR	4000K	350	90	4.72	1.38	15K	045923206177	24/6
S21303	4CA10/LED/950/FR/120V/E12	4	120	CA10	E12	FR	5000K	350	90	4.72	1.38	15K	045923206184	24/6
40 Watt Replacement-Carded														
S21840	4CA10/LED/927/CL/120V/E12/2CD	4	120	CA10	E12	CL	2700K	350	90	4.72	1.38	15K	045923218408	24/12
S21841	4CA10/LED/930/CL/120V/E12/2CD	4	120	CA10	E12	CL	3000K	350	90	4.72	1.38	15K	045923218415	24/12
S21842	4CA10/LED/950/CL/120V/E12/2CD	4	120	CA10	E12	CL	5000K	350	90	4.72	1.38	15K	045923218422	24/12
S21843	4CA10/LED/927/FR/120V/E12/2CD	4	120	CA10	E12	FR	2700K	350	90	4.72	1.38	15K	045923218439	24/12
S21844	4CA10/LED/930/FR/120V/E12/2CD	4	120	CA10	E12	FR	3000K	350	90	4.72	1.38	15K	045923218446	24/12
S21845	4CA10/LED/950/FR/120V/E12/2CD	4	120	CA10	E12	FR	5000K	350	90	4.72	1.38	15K	045923218453	24/12
60 Watt Replacement														
S21304	5.5CA10/LED/927/CL/120V/E12	5.5	120	CA10	E12	CL	2700K	500	90	4.72	1.38	15K	045923206191	24/6
S21305	5.5CA10/LED/930/CL/120V/E12	5.5	120	CA10	E12	CL	3000K	500	90	4.72	1.38	15K	045923206207	24/6
S12508	5.5CA10/LED/935/CL/120V/E12	5.5	120	CA10	E12	CL	3500K	500	90	4.72	1.38	15K	045923125089	24/6
S21306	5.5CA10/LED/940/CL/120V/E12	5.5	120	CA10	E12	CL	4000K	500	90	4.72	1.38	15K	045923206214	24/6
S12509	5.5CA10/LED/950/CL/120V/E12	5.5	120	CA10	E12	CL	5000K	500	90	4.72	1.38	15K	045923125096	24/6
S21307	5.5CA10/LED/927/FR/120V/E12	5.5	120	CA10	E12	FR	2700K	500	90	4.72	1.38	15K	045923206221	24/6
S21308	5.5CA10/LED/930/FR/120V/E12	5.5	120	CA10	E12	FR	3000K	500	90	4.72	1.38	15K	045923206238	24/6
S21309	5.5CA10/LED/940/FR/120V/E12	5.5	120	CA10	E12	FR	4000K	500	90	4.72	1.38	15K	045923206245	24/6
60 Watt Replacement-Carded														
S21846	5.5CA10/LED/927/CL/120V/E12/2CD	5.5	120	CA10	E12	CL	2700K	500	90	4.72	1.38	15K	045923218460	24/12
S21883	5.5CA10/LED/950/CL/120V/E12/2CD	5.5	120	CA10	E12	CL	5000K	500	90	4.72	1.38	15K	045923218835	24/12
S21847	5.5CA10/LED/927/FR/120V/E12/2CD	5.5	120	CA10	E12	FR	2700K	500	90	4.72	1.38	15K	045923218477	24/12
S21884	5.5CA10/LED/950/FR/120V/E12/2CD	5.5	120	CA10	E12	FR	5000K	500	90	4.72	1.38	15K	045923218842	24/12

*See warranty for details at www.satco.com

Product sheet SN1664

LED FILAMENT LAMPS DECORATIVE - MEDIUM BASE FLAME TIP



Features:

- LED with a traditional incandescent look and feel
- Omni-directional light source
- Dimmable
- Wet location
- Approved for totally enclosed fixtures ^
- 3 year warranty



LED FILAMENT LAMPS DECORATIVE - MEDIUM BASE FLAME TIP



CA11 E26 Clear

CA11 E26 Frost



Item	Description	W	V	Bulb Shape	Base	Finish	CCT	Lm	CRI	MOL (in.)	MOD (in.)	Life (hrs.)	UPC	Pack	
25 Watt Replacement															
S21310	3CA10/LED/927/CL/120V/E26	3	120	CA10	E26	CL	2700K	250	90	4.33	1.38	15K	045923206252	24/6	
S12510	3CA10/LED/930/CL/120V/E26	3	120	CA10	E26	CL	3000K	250	90	4.33	1.38	15K	045923125102	24/6	
S21311	3CA10/LED/927/FR/120V/E26	3	120	CA10	E26	FR	2700K	250	90	4.33	1.38	15K	045923206269	24/6	
25 Watt Replacement-Carded															
S21848	3CA10/LED/927/CL/120V/E26/2CD	3	120	CA10	E26	CL	2700K	250	90	4.33	1.38	15K	045923218484	24/12	
40 Watt Replacement															
S21312	4CA10/LED/927/CL/120V/E26	4	120	CA10	E26	CL	2700K	350	90	4.33	1.38	15K	045923206276	24/6	
S21313	4CA10/LED/930/CL/120V/E26	4	120	CA10	E26	CL	3000K	350	90	4.33	1.38	15K	045923206283	24/6	
S21314	4CA10/LED/940/CL/120V/E26	4	120	CA10	E26	CL	4000K	350	90	4.33	1.38	15K	045923206290	24/6	
S12511	4CA10/LED/950/CL/120V/E26	4	120	CA10	E26	CL	5000K	350	90	4.33	1.38	15K	045923125119	24/6	
S21315	4CA10/LED/927/FR/120V/E26	4	120	CA10	E26	CL	2700K	350	90	4.33	1.38	15K	045923206306	24/6	
S21316	4CA10/LED/930/FR/120V/E26	4	120	CA10	E26	FR	3000K	350	90	4.33	1.38	15K	045923206313	24/6	
S21317	4CA10/LED/940/FR/120V/E26	4	120	CA10	E26	FR	4000K	350	90	4.33	1.38	15K	045923206320	24/6	
40 Watt Replacement-Carded															
S21849	4CA10/LED/927/CL/120V/E26/2CD	4	120	CA10	E26	CL	2700K	350	90	4.33	1.38	15K	045923218491	24/12	
S21850	4CA10/LED/930/CL/120V/E26/2CD	4	120	CA10	E26	CL	3000K	350	90	4.33	1.38	15K	045923218507	24/12	
S21885	4CA10/LED/950/CL/120V/E26/2CD	4	120	CA10	E26	CL	5000K	350	90	4.33	1.38	15K	045923218859	24/12	
S21851	4CA10/LED/927/FR/120V/E26/2CD	4	120	CA10	E26	FR	2700K	350	90	4.33	1.38	15K	045923218514	24/12	
S21886	4CA10/LED/950/FR/120V/E26/2CD	4	120	CA10	E26	FR	5000K	350	90	4.33	1.38	15K	045923218866	24/12	
60 Watt Replacement															
S21318	5.5CA10/LED/927/CL/120V/E26	5.5	120	CA10	E26	CL	2700K	500	90	4.33	1.38	15K	045923206337	24/6	
S12512	5.5CA10/LED/930/CL/120V/E26	5.5	120	CA10	E26	CL	3000K	500	90	4.33	1.38	15K	045923125126	24/6	
S21319	5.5CA10/LED/940/CL/120V/E26	5.5	120	CA10	E26	CL	4000K	500	90	4.33	1.38	15K	045923206344	24/6	
S12513	5.5CA10/LED/950/CL/120V/E26	5.5	120	CA10	E26	CL	5000K	500	90	4.33	1.38	15K	045923125133	24/6	
S21320	5.5CA10/LED/927/FR/120V/E26	5.5	120	CA10	E26	FR	2700K	500	90	4.33	1.38	15K	045923206351	24/6	
S21321	5.5CA10/LED/940/FR/120V/E26	5.5	120	CA10	E26	FR	4000K	500	90	4.33	1.38	15K	045923206368	24/6	
60 Watt Replacement-Carded															
S21852	5.5CA10/LED/927/CL/120V/E26/2CD	5.5	120	CA10	E26	CL	2700K	500	90	4.33	1.38	15K	045923218521	24/12	
S21887	5.5CA10/LED/950/CL/120V/E26/2CD	5.5	120	CA10	E26	CL	5000K	500	90	4.33	1.38	15K	045923218873	24/12	
S21853	5.5CA10/LED/927/FR/120V/E26/2CD	5.5	120	CA10	E26	FR	2700K	500	90	4.33	1.38	15K	045923218538	24/12	
S21888	5.5CA10/LED/950/FR/120V/E26/2CD	5.5	120	CA10	E26	FR	5000K	500	90	4.33	1.38	15K	045923218880	24/12	

*See warranty for details at www.satco.com

SATCO-ESCENT® LED LAMPS



Features:

- 2 Watt LED direct replacement for 25 watt incandescent lamps
- 4 Watt LED direct replacement for 40 watt incandescent lamps
- Unique satin-spun white or amber finish
- Dimmable
- Carded versions for peg board merchandising
- LED filament technology
- Approved for totally enclosed fixtures ^
- Long life—15,000 hours
- 3 year warranty



SATCO-ESCENT® LED LAMPS

Satin Finish



S23403,
S22703

S11300, S11302,
S11304, S11306

S23413,
S22713

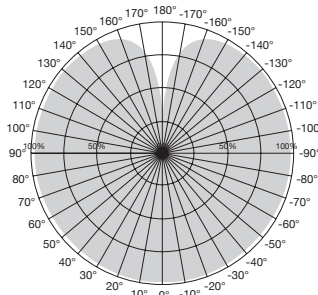
Amber Finish



S23407,
S22707

S11301, S11303,
S11305, S11307

S23412,
S22712



300° Illumination



Item	Description	W	V	Bulb Shape	Base	Finish	CCT	Lm	CRI	MOL (in.)	MOD (in.)	Life (hrs.)	UPC	Pack
Boxed														
S11300	2CA11/LED/SA/E12/27K/120V	2	120	CA11	E12	SPUN STN	2700K	150	80	4.00	1.38	15K	045923113000	24/6
S11301	2CA11/LED/A/E12/21K/120V	2	120	CA11	E12	SPUN AMB	2100K	100	80	4.00	1.38	15K	045923113017	24/6
S11302	4CA11/LED/SA/E12/27K/120V	4	120	CA11	E12	SPUN STN	2700K	300	80	4.00	1.38	15K	045923113024	24/6
S11303	4CA11/LED/A/E12/21K/120V	4	120	CA11	E12	SPUN AMB	2100K	200	80	4.00	1.38	15K	045923113031	24/6
S23403	2C11/LED/SA/E26/27K/120V	2	120	C11	E26	SPUN STN	2700K	120	80	3.81	1.38	15K	045923234033	24/6
S23407	2C11/LED/A/E26/21K/120V	2	120	C11	E26	SPUN AMB	2100K	100	80	3.81	1.38	15K	045923234071	24/6
S23413	4C15/LED/SA/E26/27K/120V	4	120	C15	E26	SPUN STN	2700K	300	80	4.38	1.88	15K	045923234132	24/6
S23412	4C15/LED/A/E26/21K/120V	4	120	C15	E26	SPUN AMB	2100K	240	80	4.38	1.88	15K	045923234125	24/6
Carded														
S11304	2CA11/LED/SA/E12/27K/120V/CD	2	120	CA11	E12	SPUN STN	2700K	150	80	4.00	1.38	15K	045923113048	24/12
S11305	2CA11/LED/A/E12/21K/120V/CD	2	120	CA11	E12	SPUN AMB	2100K	100	80	4.00	1.38	15K	045923113055	24/12
S11306	4CA11/LED/SA/E12/27K/120V/CD	4	120	CA11	E12	SPUN STN	2700K	300	80	4.00	1.38	15K	045923113062	24/12
S11307	4CA11/LED/A/E12/21K/120V/CD	4	120	CA11	E12	SPUN AMB	2100K	200	80	4.00	1.38	15K	045923113079	24/12
S22703	2C11/LED/SA/E26/27K/120V/CD	2	120	C11	E26	SPUN STN	2700K	120	80	3.81	1.38	15K	045923227035	24/12
S22707	2C11/LED/A/E26/21K/120V/CD	2	120	C11	E26	SPUN AMB	2100K	100	80	3.81	1.38	15K	045923227073	24/12
S22713	4C15/LED/SA/E26/27K/120V/CD	4	120	C15	E26	SPUN STN	2700K	300	80	4.38	1.88	15K	045923227134	24/12
S22712	4C15/LED/A/E26/21K/120V/CD	4	120	C15	E26	SPUN AMB	2100K	240	80	4.38	1.88	15K	045923227127	24/12

*See warranty for details at www.satco.com

Product sheet SA2320

SATCO-ESCENT DECORATIVE LAMPS



Features:

- | Satin spun finish reduces glare
- | Decorative soft glowing light
- | 360° omni-directional light
- | Unique bulb shape



SATCO-ESCENT DECORATIVE LAMPS



S11312

S11313



Item	Description	W	V	Bulb Shape	Base	Finish	CCT	Lm	CRI	MOL (in.)	MOD (in.)	Life (hrs.)	UPC	Pack
S11312	7H19/SS/LED/820/E26/120V	7	120	H19	E26	SPUN STN	2000K	800	82	6.06	2.36	15K	045923113123	24/6
S11313	7H19/SS/LED/830/E26/120V	7	120	H19	E26	SPUN STN	3000K	800	82	6.06	2.36	15K	045923113130	24/6
S11314	7H19/SS/LED/850/E26/120V	7	120	H19	E26	SPUN STN	5000K	800	82	6.06	2.36	15K	045923113147	24/6

*See warranty for details at www.satco.com

Product sheet SNI716

LED FILAMENT SPECIALTY LAMPS

Features:

- LED with a traditional incandescent look and feel
- Omni-directional light source
- Dimmable
- Wet or damp location
- Approved for totally enclosed fixtures[^]
- c-ETL-us listed or CEC T20
- 3 year warranty



T6 E17



C7 E12



BT15 E26



Item	Description	Watts	Volt	Bulb Shape	Base	Finish	CCT	Lm	CRI	MOL (in.)	MOD (in.)	Life (hrs.)	Pack
7 Watt Replacement													
S11308***	0.7W/C7/CL/LED/120V/2CD	0.7	120	C7	E12	CL	2700K	30	80	2.13	0.84	15K	24/12
S12514***													
Tubular-Carded													
S12114	3.5T7/LED/CL/E17/3K/120V/1CD	3.5	120	T6	E17	CL	3000K	350	80	2.68	1.00	15K	100/10
BT15													
40 Watt Replacement													
S21330	5BT15/CL/LED/927/120V	5	120	BT15	E26	CL	2700K	450	90	4.06	1.81	15K	24/6
S21331	5BT15/CL/LED/940/120V	5	120	BT15	E26	CL	4000K	450	90	4.06	1.81	15K	24/6
S21332	5BT15/WH/LED/927/120V	5	120	BT15	E26	WH	2700K	450	90	4.06	1.81	15K	24/6
S21333	5BT15/WH/LED/940/120V	5	120	BT15	E26	WH	4000K	450	90	4.06	1.81	15K	24/6
40 Watt Replacement-Carded													
S21854	5BT15/CL/LED/927/120V/2CD	5	120	BT15	E26	CL	2700K	450	90	4.06	1.81	15K	24/12
S21855	5BT15/WH/LED/927/120V/2CD	5	120	BT15	E26	WH	2700K	450	90	4.06	1.81	15K	24/12
60 Watt Replacement													
S21334	8BT15/CL/LED/927/120V	8	120	BT15	E26	CL	2700K	800	90	4.06	1.81	15K	24/6
S21335	8BT15/CL/LED/940/120V	8	120	BT15	E26	CL	4000K	800	90	4.06	1.81	15K	24/6
S21336	8BT15/CL/LED/950/120V	8	120	BT15	E26	CL	5000K	800	90	4.06	1.81	15K	24/6
S21337	8BT15/WH/LED/927/120V	8	120	BT15	E26	WH	2700K	800	90	4.06	1.81	15K	24/6
S21338	8BT15/WH/LED/940/120V	8	120	BT15	E26	WH	4000K	800	90	4.06	1.81	15K	24/6
S21339	8BT15/WH/LED/950/120V	8	120	BT15	E26	WH	5000K	800	90	4.06	1.81	15K	24/6
60 Watt Replacement-Carded													
S21856	8BT15/CL/LED/927/120V/2CD	8	120	BT15	E26	CL	2700K	800	90	4.06	1.81	15K	24/12
S21857	8BT15/WH/LED/927/120V/2CD	8	120	BT15	E26	WH	2700K	800	90	4.06	1.81	15K	24/12

[^]See warranty for details at www.satco.com. *Damp rated. **Non-Dimmable. *cULus rated.

LED FILAMENT SPECIALTY LAMPS TUBULAR



Features:

- LED with a traditional incandescent look and feel
- Omni-directional light source
- Dimmable
- Wet location
- Approved for totally enclosed fixtures[^]
- c-ETL-us listed
- CEC T20
- 3 year warranty



T6.5 E12



T6.5 E17



Item	Description	Watts	Volts	Bulb Shape	Base	Finish	CCT	Lm	CRI	MOL (in.)	MOD (in.)	Life (hrs.)	Pack
Tubular													
T6 - 25 Watt Replacement													
S21340	2.8T6/LED/CL/927/120V/E12	2.8	120	T6	E12	CL	2700K	200	90	3.2	0.98	15K	24/6
S12518	2.8T6/LED/CL/930/120V/E12	2.8	120	T6	E12	CL	3000K	200	90	3.2	0.98	15K	24/6
S21341	2.8T6/LED/CL/940/120V/E12	2.8	120	T6	E12	CL	4000K	200	90	3.2	0.98	15K	24/6
S12519	2.8T6/LED/CL/950/120V/E12	2.8	120	T6	E12	CL	5000K	200	90	3.2	0.98	15K	24/6
T6 - 40 Watt Replacement													
S21380	4T6L/927/E12/GCYS/120V/W	4	120	T6	E12	CL	2700K	400	90	3.43	0.87	15K	24/6
S21381	4T6L/930/E12/GCYS/120V/W	4	120	T6	E12	CL	3000K	400	90	3.43	0.87	15K	24/6
S21383	4T6L/950/E12/GCYS/120V/W	4	120	T6	E12	CL	5000K	400	90	3.43	0.87	15K	24/6
T6 - 25 Watt Replacement-Carded													
S21858	2.8T6/LED/CL/927/120V/E12/2CD	2.8	120	T6	E12	CL	2700K	200	90	3.27	0.98	15K	24/12
T6.5 - 25 Watt Replacement													
S21342	3T6.5/LED/CL/927/E17	3	120	T6.5	E17	CL	2700K	200	90	2.17	0.87	15K	24/6
S21343	3T6.5/LED/CL/930/E17	3	120	T6.5	E17	CL	3000K	200	90	2.17	0.87	15K	24/6
S12520	3T6.5/LED/CL/940/E17	3	120	T6.5	E17	CL	4000K	200	90	2.17	0.87	15K	24/6
S12521	3T6.5/LED/CL/950/E17	3	120	T6.5	E17	CL	5000K	200	90	2.17	0.87	15K	24/6
T6.5 - 40 Watt Replacement													
S21370	4T6.5/LED/CL/930/120V	4	120	T6.5	E17	CL	3000K	400	90	5.12	0.79	15K	24/12
S21371	4T6.5/LED/CL/940/120V	4	120	T6.5	E17	CL	4000K	400	90	5.12	0.79	15K	24/12
S12522	4T6.5/LED/CL/950/120V	4	120	T6.5	E17	CL	5000K	400	90	5.12	0.79	15K	24/6
S21372	4T6.5/LED/FR/930/120V	4	120	T6.5	E17	CL	3000K	360	90	5.12	0.79	15K	24/12
S21373	4T6.5/LED/FR/940/120V	4	120	T6.5	E17	FR	4000K	360	90	5.12	0.79	15K	24/12
S12523	4T6.5/LED/FR/950/120V	4	120	T6.5	E17	CL	5000K	400	90	5.12	0.79	15K	24/6
S21374	4T6.5/LED/CL/930/120V	4	120	T6.5	BA15d	CL	3000K	400	90	5.12	0.79	15K	24/12
S21375	4T6.5/LED/CL/940/120V	4	120	T6.5	BA15d	CL	4000K	400	90	5.12	0.79	15K	24/12
S21376	4T6.5/LED/FR/930/120V	4	120	T6.5	BA15d	FR	3000K	360	90	5.12	0.79	15K	24/12
S21377	4T6.5/LED/FR/940/120V	4	120	T6.5	BA15d	FR	4000K	360	90	5.12	0.79	15K	24/12
T6.5 - 40 Watt Replacement-Carded													
S21860	4T6.5/LED/CL/930/120V/E17/1CD	4	120	T6.5	E17	CL	3000K	400	90	5.12	0.79	15K	24/12
S21861	4T6.5/LED/CL/930/120V/DC/1CD	4	120	T6.5	BA15d	CL	3000K	400	90	5.12	0.79	15K	24/12
T9 - 40 Watt Replacement													
S21384	5T9L/927/E12/GCYS/120V/W	5	120	T9	E12	CL	2700K	550	90	3.27	1.18	15K	24/6
S21385	5T9L/930/E12/GCYS/120V/W	5	120	T9	E12	CL	3000K	550	90	3.27	1.18	15K	24/6
S21386	5T9L/940/E12/GCYS/120V/W	5	120	T9	E12	CL	4000K	550	90	3.27	1.18	15K	24/6
S21387	5T9L/950/E12/GCYS/120V/W	5	120	T9	E12	CL	5000K	550	90	3.27	1.18	15K	24/6

[^]See warranty for details at www.satco.com

LED FILAMENT SPECIALTY LAMPS TUBULAR



T10 E26



T10 E26



Features:

- LED with a traditional incandescent look and feel
- Omni-directional light source
- Dimmable
- Wet location
- Approved for totally enclosed fixtures[^]
- c-ETL-us or cULus listed
- 3 year warranty



Item	Description	Watts	Volts	Bulb Shape	Base	Finish	CCT	Lumen	CRI	MOL (in.)	MOD (in.)	Life (hrs.)	Pack
T10 - 40 Watt Replacement													
S21344	5.5T10/LED/CL/927/120V/E26	5.5	120	T10	E26	CL	2700K	450	90	5	1.25	15K	24/6
S21345	5.5T10/LED/CL/930/120V/E26	5.5	120	T10	E26	CL	3000K	450	90	5	1.25	15K	24/6
S12524	5.5T10/LED/CL/935/120V/E26	5.5	120	T10	E26	CL	3500K	450	90	5	1.25	15K	24/6
S21346	5.5T10/LED/CL/940/120V/E26	5.5	120	T10	E26	CL	4000K	450	90	5	1.25	15K	24/6
S21347	5.5T10/LED/CL/950/120V/E26	5.5	120	T10	E26	CL	5000K	450	90	5	1.25	15K	24/6
S21348	5.5T10/LED/FR/930/120V/E26	5.5	120	T10	E26	FR	3000K	450	90	5	1.25	15K	24/6
S21349	5.5T10/LED/FR/940/120V/E26	5.5	120	T10	E26	FR	4000K	450	90	5	1.25	15K	24/6
T10 - 40 Watt Replacement-Carded													
S21862	5.5T10/LED/CL/927/120V/E26/2CD	5.5	120	T10	E26	CL	2700K	450	90	5	1.25	15K	24/12
S21863	5.5T10/LED/CL/950/120V/E26/2CD	5.5	120	T10	E26	CL	5000K	450	90	5	1.25	15K	24/12
S21864	5.5T10/LED/FR/930/120V/E26/2CD	5.5	120	T10	E26	FR	3000K	450	90	5	1.25	15K	24/12
T10 - 60 Watt REPLACEMENT													
S21350	8T10/LED/CL/927/120V/E26	8	120	T10	E26	CL	2700K	800	90	5	1.25	15K	24/6
S21351	8T10/LED/CL/930/120V/E26	8	120	T10	E26	CL	3000K	800	90	5	1.25	15K	24/6
S12525	8T10/LED/CL/935/120V/E26	8	120	T10	E26	CL	3500K	800	90	5	1.25	15K	24/6
S12526	8T10/LED/CL/940/120V/E26	8	120	T10	E26	CL	4000K	800	90	5	1.25	15K	24/6
S12527	8T10/LED/CL/950/120V/E26	8	120	T10	E26	CL	5000K	800	90	5	1.25	15K	24/6
S21352	8T10/LED/FR/927/120V/E26	8	120	T10	E26	FR	2700K	720	90	5	1.25	15K	24/6
S21353	8T10/LED/FR/930/120V/E26	8	120	T10	E26	FR	3000K	720	90	5	1.25	15K	24/6
T10 - 60 Watt Replacement-Carded													
S21865	8T10/LED/CL/927/120V/E26/2CD	8	120	T10	E26	CL	2700K	800	90	5	1.25	15K	24/12
S21866	8T10/LED/FR/927/120V/E26/2CD	8	120	T10	E26	FR	2700K	720	90	5	1.25	15K	24/12

[^]See warranty for details at www.satco.com

LED FILAMENT SPECIALTY LAMPS TUBULAR

Features:

- LED with a traditional incandescent look and feel
- Omni-directional light source
- Dimmable
- Wet location
- Approved for totally enclosed fixtures[^]
- c-ETL-us listed
- CEC T20
- 3 year warranty



Item	Description	Watts	Volts	Bulb Shape	Base	Finish	CCT	Lumen	CRI	MOL (in.)	MOD (in.)	Life (hrs.)	Pack
T9 - 40 Watt Replacement													
S12528	5T9/LED/CL/927/120V/E26	5	120	T9	E26	CL	2700K	500	90	7.2	1.18	15K	24/6
S12529	5T9/LED/CL/930/120V/E26	5	120	T9	E26	CL	3000K	500	90	7.2	1.18	15K	24/6
S12530	5T9/LED/CL/940/120V/E26	5	120	T9	E26	CL	4000K	500	90	7.2	1.18	15K	24/6
S12531	5T9/LED/CL/950/120V/E26	5	120	T9	E26	CL	5000K	500	90	7.2	1.18	15K	24/6
T9 - 60 Watt REPLACEMENT													
S21354	8T9/LED/CL/927/120V/E26	8	120	T9	E26	CL	2700K	800	90	7.2	1.18	15K	24/6
S21355	8T9/LED/CL/930/120V/E26	8	120	T9	E26	CL	3000K	800	90	7.2	1.18	15K	24/6
S12532	8T9/LED/CL/940/120V/E26	8	120	T9	E26	CL	4000K	800	90	7.2	1.18	15K	24/6
S12533	8T9/LED/CL/950/120V/E26	8	120	T9	E26	CL	5000K	800	90	7.2	1.18	15K	24/6
S21356	8T9/LED/FR/927/120V/E26	8	120	T9	E26	FR	2700K	700	90	7.2	1.18	15K	24/6
S21357	8T9/LED/FR/930/120V/E26	8	120	T9	E26	FR	3000K	700	90	7.2	1.18	15K	24/6
S21358	8T9/LED/CL/927/120V/E26	8	120	T9	E26	CL	2700K	800	90	12	1.18	15K	24/6
S21359	8T9/LED/CL/930/120V/E26	8	120	T9	E26	CL	3000K	800	90	12	1.18	15K	24/6
T9 - 60 Watt Replacement-Carded													
S21867	8T9/LED/CL/927/120V/E26/2CD	8	120	T9	E26	CL	2700K	800	90	7.2	1.18	15K	24/12
S21868	8T9/LED/FR/927/120V/E26/2CD	8	120	T9	E26	FR	2700K	700	90	7.2	1.18	15K	24/12
T14 - 40 Watt Replacement													
S21378	5.5T14/LED/CL/820/120V/E26	5.5	120	T14	E26	CL	2000K	500	90	4.53	1.77	15K	24/12
S21379	5.5T14/LED/CL/927/120V/E26	5.5	120	T14	E26	CL	2700K	500	90	4.53	1.77	15K	24/12
S21534	5.5T14/LED/CL/930/120V/E26	5.5	120	T14	E26	CL	3000K	500	90	4.53	1.77	15K	24/6
ST19 - 40 Watt													
S21360	5ST19/CL/LED/927/E26	5	120	ST19	E26	CL	2700K	425	90	5.43	2.28	15K	24/6
S21361	5ST19/CL/LED/930/E26	5	120	ST19	E26	CL	3000K	425	90	5.43	2.28	15K	24/6
S21362	5ST19/CL/LED/940/E26	5	120	ST19	E26	CL	4000K	425	90	5.43	2.28	15K	24/6
S12535	5ST19/CL/LED/950/E26	5	120	ST19	E26	CL	5000K	425	90	5.43	2.28	15K	24/6
ST19 - 40 Watt Replacement-Carded													
S21869	5ST19/CL/LED/927/E26/2CD	5	120	ST19	E26	CL	2700K	425	90	5.43	2.28	15K	24/12
ST19 - 60 Watt													
S21363	8ST19/CL/LED/927/E26	8	120	ST19	E26	CL	2700K	800	90	5.43	2.28	15K	24/6
S21364	8ST19/CL/LED/930/E26	8	120	ST19	E26	CL	3000K	800	90	5.43	2.28	15K	24/6
S21365	8ST19/CL/LED/940/E26	8	120	ST19	E26	CL	4000K	800	90	5.43	2.28	15K	24/6
S12536	8ST19/CL/LED/950/E26	8	120	ST19	E26	CL	5000K	800	90	5.43	2.28	15K	24/6
ST19 - 60 Watt Replacement-Carded													
S21870	8ST19/CL/LED/927/E26/2CD	8	120	ST19	E26	CL	2700K	800	90	5.43	2.28	15K	24/12

[^]See warranty for details at www.satco.com

S14 LED STRING LIGHT LAMPS



Features:

- LED with a traditional incandescent look and feel
- Omni-directional light source
- Available in 6 color options
- Approved for totally enclosed fixtures ^
- Wet location
- c-UL-us listed
- 3 year warranty



S14 LED STRING LIGHT LAMPS



S8021



S8022



S8023



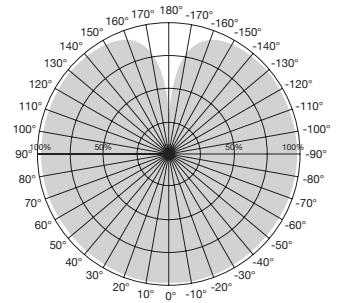
S8024



S8025



S8026



Beam Angle: 320°



Item	Description	W	V	Bulb Shape	Base	Finish	CCT	Lm	CRI	MOL (in.)	MOD (in.)	Life (hrs.)	UPC	Pack
LED String Light Replacement Lamps														
S8021	1W/LED/S14/CL/827/120V/ND/4PK	1	120	S14	E26	CL	2700K	100	80	3.43	1.18	15K	045923080210	24/4
S8022	1W/LED/S14/RED/120V/ND/4PK	1	120	S14	E26	RED	N/A	10	N/A	3.43	1.18	15K	045923080227	24/4
S8023	1W/LED/S14/BLUE/120V/ND/4PK	1	120	S14	E26	BLUE	N/A	5	N/A	3.43	1.18	15K	045923080234	24/4
S8024	1W/LED/S14/GREEN/120V/ND/4PK	1	120	S14	E26	GRN	N/A	20	N/A	3.43	1.18	15K	045923080241	24/4
S8025	1W/LED/S14/YELLOW/120V/ND/4PK	1	120	S14	E26	YLW	N/A	40	N/A	3.43	1.18	15K	045923080258	24/4
S8026	1W/LED/S14/ORANGE/120V/ND/4PK	1	120	S14	E26	ORNG	N/A	30	N/A	3.43	1.18	15K	045923080265	24/4
S8027	1W/LED/S14/CL/822/120V/ND/4PK	1	120	S14	E26	CL	2200K	100	80	3.43	1.18	15K	045923080272	24/4

*See warranty for details at www.satco.com

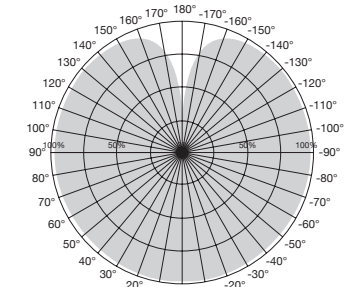
Product sheet SA2320

AMBER LED FILAMENT LAMPS



Features:

- LED with a traditional incandescent look and feel
- Omni-directional light source
- Dimmable
- Damp and wet location
- Approved for totally enclosed fixtures ^
- c-ETL-us or cULus listed
- 3 year warranty



AMBER LED FILAMENT LAMPS



A19



ST19



G25



G30



G40



T9



G16.5



CA11



C11



T6



Item	Description	W	V	Bulb Shape	Base	Finish	CCT	Lm	CRI	MOL (in.)	MOD (in.)	Life (hrs.)	UPC	Pack
ST19														
S14206	3.5ST19L/920/E26/GCAC/D	3.5	120	ST19	E26	CL Amber	2000K	300	90	5.32	2.29	15K	045923142062	24/6
S14207	5.5ST19L/920/E26/GCAC/D	5.5	120	ST19	E26	CL Amber	2000K	500	90	5.32	2.29	15K	045923142079	24/6
S14208	8ST19L/920/E26/GCAC/D	8	120	ST19	E26	CL Amber	2000K	800	90	5.32	2.29	15K	045923142086	24/6
G16.5														
S14209	3.5G25L/920/E26/GCAC/D	3.5	120	G16.5	E12	CL Amber	2000K	300	90	3.23	1.97	15K	045923142093	24/6
G25														
S14210	3.5G25L/920/E26/GCAC/D	3.5	120	G25	E26	CL Amber	2000K	300	90	4.73	3.15	15K	045923142109	24/6
S14211	5.5G25L/920/E26/GCAC/D	5.5	120	G25	E26	CL Amber	2000K	500	90	4.73	3.15	15K	045923142116	24/6
G30														
S14212	3.5G30L/920/E26/GCAC/D	3.5	120	G30	E26	CL Amber	2000K	300	90	5.36	3.74	15K	045923142123	24/6
S14213	5.5G30L/920/E26/GCAC/D	5.5	120	G30	E26	CL Amber	2000K	500	90	5.36	3.74	15K	045923142130	24/6
G40														
S14214	3.5G40L/920/E26/GCAC/D	3.5	120	G40	E26	CL Amber	2000K	300	90	6.58	4.89	15K	045923142147	24/6
S14215	5.5G40L/920/E26/GCAC/D	5.5	120	G40	E26	CL Amber	2000K	500	90	6.58	4.89	15K	045923142154	24/6
T6														
S14216	3.5T6L/920/E26/GCAS/D	3.5	120	T6	E26	CL Amber	2000K	300	90	4.9	0.87	15K	045923142161	24/6
S14217	5.5T6L/920/E26/GCAS/D	5.5	120	T6	E26	CL Amber	2000K	500	90	4.9	0.87	15K	045923142178	24/6
T9														
S14229	3.5T9L/920/E26/GCAC/D	3.5	120	T9	E26	CL Amber	2000K	300	90	7.49	1.18	15K	045923142291	24/6
S14230	5.5CFA/LED/AMB/20K/120V	5.5	120	T9	E26	CL Amber	2000K	500	90	7.49	1.18	15K	045923142307	24/6
C11														
S14218	3.5C11L/920/E12/GCAC/D	3.5	120	C11	E12	CL Amber	2000K	300	90	3.92	1.38	15K	045923142185	24/6
S14219	5.5C11L/920/E12/GCAC/D	5.5	120	C11	E12	CL Amber	2000K	500	90	3.92	1.38	15K	045923142192	24/6
S14222	3.5C11L/920/E12/GCAC/D	3.5	120	C11	E12	CL Amber	2000K	300	90	3.45	1.38	15K	045923142222	24/6
S14223	5.5C11L/920/E26/GCAC/D	5.5	120	C11	E26	CL Amber	2000K	500	90	3.45	1.38	15K	045923142239	24/6
CA11														
S14220	3.5CA11L/920/E12/GCAC/D	3.5	120	CA11	E12	CL Amber	2000K	300	90	4.51	1.38	15K	045923142208	24/6
S14221	5.5CA11L/920/E12/GCAC/D	5.5	120	CA11	E12	CL Amber	2000K	500	90	4.51	1.38	15K	045923142215	24/6
S14224	3.5CA11L/920/E26/GCAC/D	3.5	120	CA11	E26	CL Amber	2000K	300	90	4.18	1.38	15K	045923142246	24/6
S14225	5.5CA11L/920/E12/GCAC/D	5.5	120	CA11	E26	CL Amber	2000K	500	90	4.18	1.38	15K	045923142253	24/6
A19														
S14226	3.5A19L/920/E26/GCAC/D	3.5	120	A19	E26	CL Amber	2000K	300	90	4.22	2.36	15K	045923142260	24/6
S14227	5.5A19L/920/E26/GCAC/D	5.5	120	A19	E26	CL Amber	2000K	500	90	4.22	2.36	15K	045923142277	24/6
S14228	8A19L/920/E26/GCAC/D	8	120	A19	E26	CL Amber	2000K	800	90	4.22	2.36	15K	045923142284	24/6

*See warranty for details at www.satco.com

DECORATIVE SPIRAL LED FILAMENT LAMPS

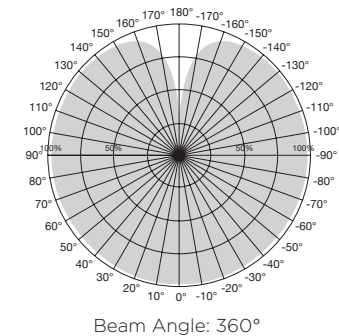


Features:

- LED with a traditional incandescent look and feel
- Omni-directional light source
- Dimmable
- Damp location
- Approved for totally enclosed fixtures ^
- c-UL-us listed
- 3 year warranty



DECORATIVE SPIRAL LED FILAMENT LAMPS



Item	Description	W	V	Bulb Shape	Base	Finish	CCT	Lm	CRI	MOL (in.)	MOD (in.)	Life (hrs.)	UPC	Pack	
ST19															
S9967	4.5ST19/SPIRAL/LED/AMB/120V	4.5	120	ST19	E26	TR AMB	2000K	240	80	5.25	2.38	15K	045923099670	24/6	
A19															
S9966	4.5A19/SPIRAL/LED/AMB/120V	4.5	120	A19	E26	TR AMB	2000K	220	80	4.00	2.38	15K	045923099663	24/6	
G30															
S9968	4.5G30/SPIRAL/LED/AMB/120V	4.5	120	G30	E26	TR AMB	2000K	240	80	5.44	3.75	15K	045923099687	24/6	
G40															
S9969	4.5G40/SPIRAL/LED/AMB/120V	4.5	120	G40	E26	TR AMB	2000K	240	80	6.63	4.94	15K	045923099694	12/6	
T9															
S9971	4.5T9/SPIRAL/LED/AMB/120V	4.5	120	T9	E26	TR AMB	2000K	240	80	7.19	1.13	15K	045923099717	24/6	
B10															
S9970	2.3ETC/SPIRAL/LED/AMB/120V	2.3	120	B10	E26	TR AMB	2000K	90	80	3.50	1.38	15K	045923099700	24/6	

*See warranty for details at www.satco.com

LED SPIRAL FILAMENT VINTAGE-STYLE LAMPS IN HID ENVELOPES



Features:

- Uses only 4 watts
- Impressive size & presence
- Omni-directional light source
- Perfect for pendant fixtures & hanging sockets
- Approved for totally enclosed fixtures ^
- Dimmable
- Shapes: T24, BT38, BT56 & PS52
- E26 base
- 3 year warranty



LED SPIRAL FILAMENT VINTAGE-STYLE LAMPS IN HID ENVELOPES



S22431
BT38



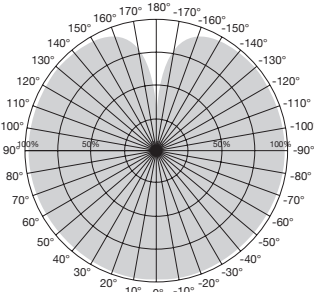
S22430
T24



S22433
PS52



S22432
BT56



Item	Description	W	V	Bulb Shape	Base	Finish	CCT	Lm	CRI	MOL (in.)	MOD (in.)	Life (hrs.)	UPC	Pack
S22430	4T24/LED/CL/E26/VINTAGE/120V	4	120	T24	E26	CL	2150K	200	90	13.00	3.00	25K	045923224300	12
S22431	4BT38/LED/CL/E26/VINTAGE/120V	4	120	BT38	E26	CL	2150K	200	90	16.50	4.69	25K	045923224317	12
S22432	4BT56/LED/CL/E26/VINTAGE/120V	4	120	BT56	E26	CL	2150K	200	90	13.81	7.13	25K	045923224324	6
S22433	4PS52/LED/CL/E26/VINTAGE/120V	4	120	PS52	E26	CL	2150K	200	90	11.81	6.31	25K	045923224331	6

*See warranty for details at www.satco.com

Product sheet SA2298

SPECIALTY LED LAMPS



Features:

- Non-dimmable
- Direct replacements for incandescent & specialty lamps
- LED replacements use 80% less energy
- Wet location
- Long life—25,000 hours
- 3 year warranty
- Carded packaging

Applications:

- Sign bulbs
- Indicator
- Nightlights
- Decorative lamps





T6



C7



S11



Decorative



S11



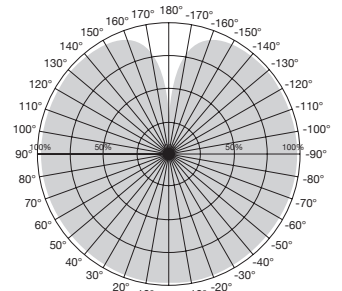
G16



A15



S14



360° Illumination



Item	Description	W	V	Bulb Shape	Base	Finish	CCT	Lm	CRI	MOL (in.)	MOD (in.)	Life (hrs.)	UPC	Pack
S9150	1.4W A15/CL/LED/120V/CD	1.4	120	A15	E26	CL	2700K	36	80	3.31	1.88	25K	045923091506	48/12
S9151	1.4W A15/WH/LED/120V/CD	1.4	120	A15	E26	CTD WH	2700K	45	80	3.31	1.94	25K	045923091513	48/12
S9152	1W CTC/LED/120V/CD	1	120	BA9 1/2	E12	CL	2700K	25	80	3.63	1.25	25K	045923091520	48/12
S9153	1W CFC/LED/120V/CD	1	120	CA8	E12	CL	2700K	25	80	3.88	1.25	25K	045923091537	48/12
S9154	1.4W ETC/LED/120V/CD	1.4	120	B11	E26	CL	2700K	36	80	3.81	1.38	25K	045923091544	48/12
S9155	1W CTD/LED/CRYSTAL/120V/CD	1	120	BA9 1/2	E12	Crystal	2700K	45	80+	3.63	1.25	25K	045923091551	48/12
S9156	0.5W C7/CL/LED/120V/CD	0.5	120	C7	E12	CL	2700K	14	80	2.13	0.84	25K	045923091568	48/12
S9157	0.5W C7/WH/LED/120V/CD	0.5	120	C7	E12	CTD WH	2700K	14	80	2.13	0.84	25K	045923091575	48/12
S9158	1.4W G16.5/CL/LED/120V/CD	1.4	120	G16 1/2	E26	CL	2700K	36	80	2.75	2.06	25K	045923091582	48/12
S9159	1.4W G16.5/WH/LED/120V/CD	1.4	120	G16 1/2	E26	CTD WH	2700K	45	80	2.81	2.06	25K	045923091599	48/12
S9160	1.2W S11/CL/LED/120V/CD	1.2	120	S11	E26	CL	2700K	32	80	2.31	1.38	25K	045923091605	48/12
S9161	1.2W S11/WH/LED/120V/CD	1.2	120	S11	E26	CTD WH	2700K	40	75	2.31	1.38	25K	045923091612	48/12
S9162	1.2W S11/BL/LED/120V/CD	1.2	120	S11	E26	CER BLUE	-	-	-	2.31	1.38	25K	045923091629	48/12
S9163	1.2W S11/GR/LED/120V/CD	1.2	120	S11	E26	CER GRN	-	-	-	2.31	1.38	25K	045923091636	48/12
S9164	1.2W S11/OR/LED/120V/CD	1.2	120	S11	E26	CER ORNG	-	-	-	2.31	1.38	25K	045923091643	48/12
S9165	1.2W S11/RED/LED/120V/CD	1.2	120	S11	E26	CER RED	-	-	-	2.31	1.38	25K	045923091650	48/12
S9166	1.2W S11/Y/LED/120V/CD	1.2	120	S11	E26	CER YLW	-	-	-	2.31	1.38	25K	045923091667	48/12
S9167	1.0W S11/CL/LED/E17/120V/CD	1	120	S11	E17	CL	2700K	28	80	2.25	1.38	25K	045923091674	48/12
S9168	1.0W S11/WH/LED/E17/120V/CD	1	120	S11	E17	CTD WH	2700K	35	80	2.25	1.38	25K	045923091681	48/12
S9169	1.4W S14/Y/LED/120V/CD	1.4	120	S14	E26	CER YLW	-	-	-	3.31	1.75	25K	045923091698	48/12
S9170	1.4W S14/RED/LED/120V/CD	1.4	120	S14	E26	CER RED	-	-	-	3.31	1.75	25K	045923091704	48/12
S9171	1.4W S14/GR/LED/120V/CD	1.4	120	S14	E26	CER GRN	-	-	-	3.31	1.75	25K	045923091711	48/12
S9172	1.4W S14/BL/LED/120V/CD	1.4	120	S14	E26	CER BLUE	-	-	-	3.31	1.75	25K	045923091728	48/12
S9173	1.4W S14/OR/LED/120V/CD	1.4	120	S14	E26	CER ORNG	-	-	-	3.31	1.75	25K	045923091735	48/12
S9174	1.4W S14/CL/LED/120V/CD	1.4	120	S14	E26	CL	2700K	36	80	3.31	1.77	25K	045923091742	48/12
S9175	1.4W S14/WH/LED/120V/CD	1.4	120	S14	E26	CTD WH	2700K	45	80	3.31	1.75	25K	045923091759	48/12
S9176	0.8W T6/FR/LED/120V/CD	0.8	120	T6	E12	CTD WH	2700K	25	80	2.06	0.75	25K	045923091766	48/12
S9177	0.8W T6/CL/LED/120V/CD	0.8	120	T6	E12	CL	2700K	20	80	2.06	0.75	25K	045923091773	48/12

LED A-SHAPE LAMPS CCT SELECTABLE



Features:

- Offered in 5 and 3 cct selectable options
- Dimmable and non-dimmable models available
- Standard A19 shape for a variety of applications
- 90 CRI for exceptional color rendering



WARM WHITE - 2700K
SOFT WHITE - 3000K
NEUTRAL WHITE - 3500K
COOL WHITE - 4000K
NATURAL LIGHT - 5000K





3-CCT



5-CCT



Item	Description	Lm	W	Replacement Wattage	CCT	Base	Life (Hrs.)	UPC	Pack
Non-Dimmable - 3 CCT Selectable									
SI1770	6A19/LED/3CCT/E26/120V	470	6	40	3000K/4000K/5000K	E26	10K	045923117701	24/6
SI1774	6A19/LED/3CCT E26/120V/4PK	470	6	40	3000K/4000K/5000K	E26	10K	045923117749	12/4
SI1771	9A19/LED/3CCT/E26/120V	800	9	60	3000K/4000K/5000K	E26	10K	045923117718	24/6
SI1775	9A19/LED/3CCT/E26/120V/4PK	800	9	60	3000K/4000K/5000K	E26	10K	045923117756	12/4
SI1772	12A19/LED/3CCT/E26/120V	1100	12	75	3000K/4000K/5000K	E26	10K	045923117725	24/6
SI1776	12A19/LED/3CCT/E26/120V/4PK	1100	12	75	3000K/4000K/5000K	E26	10K	045923117763	12/4
SI1773	14A19/LED/3CCT/E26/120V	1500	14	100	3000K/4000K/5000K	E26	10K	045923117732	24/6
SI1777	14A19/LED/3CCT/E26/120V/4PK	1500	14	100	3000K/4000K/5000K	E26	10K	045923117770	12/4
Dimmable- 5 CCT Selectable									
E26 Base									
SI1790	5A19/LED/5CCT/E26/120V	450	5	40	2700K/3000K/3500K/4000K/5000K	E26	25K	045923117909	48/12
SI1791	8.8A19/LED/5CCT/E26/120V	800	8.8	60	2700K/3000K/3500K/4000K/5000K	E26	25K	045923117916	48/12
SI1792	12A19/LED/5CCT/E26/120V	1100	12	75	2700K/3000K/3500K/4000K/5000K	E26	25K	045923117923	48/12
SI1793	14A19/LED/5CCT/E26/120V	1600	14	100	2700K/3000K/3500K/4000K/5000K	E26	25K	045923117930	48/12
GU24 Base									
SI1794	8.8A19/LED/5CCT/GU24/120V	800	8.8	60	2700K/3000K/3500K/4000K/5000K	GU24	25K	045923117947	48/12
SI1795	12A19/LED/5CCT/GU24/120V	1100	12	75	2700K/3000K/3500K/4000K/5000K	GU24	25K	045923117954	48/12
SI1796	14A19/LED/5CCT/GU24/120V	1600	14	100	2700K/3000K/3500K/4000K/5000K	GU24	25K	045923117961	48/12

Product sheet SA3001

40W REPLACEMENT LED A15 LAMPS

Features:

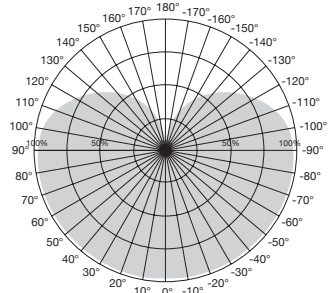
- Direct replacement for 40 watt A15 incandescent lamps
- Indoor residential and commercial lighting
- Dimmable
- 2700K, 3000K, 4000K and 5000K options
- Damp location rated
- Approved for totally enclosed fixtures ^
- Long life—25,000 hours
- 5 year warranty



E17 Base



E26 Base



Beam Angle: 230°



Item	Description	W	V	Bulb Shape	Base	Finish	CCT	Lm	CRI	MOL (in.)	MOD (in.)	Life (hrs.)	UPC	Pack
S9030	5.5A15/LED/2700K/120V	5.5	120	A15	E26	FR	2700K	450	80	3.48	1.89	25K	045923090301	24/6
S9031	5.5A15/LED/3000K/120V	5.5	120	A15	E26	FR	3000K	450	80	3.48	1.88	25K	045923090318	24/6
S9032	5.5A15/LED/4000K/120V	5.5	120	A15	E26	FR	4000K	450	80	3.48	1.89	25K	045923090325	24/6
S9033	5.5A15/LED/5000K/120V	5.5	120	A15	E26	FR	5000K	450	80	3.48	1.89	25K	045923090332	24/6
S9064	5.5A15/LED/2700K/E17/120V	5.5	120	A15	E17	FR	2700K	450	80	3.48	1.89	25K	045923090646	24/6
S9065	5.5A15/LED/3000K/E17/120V	5.5	120	A15	E17	FR	3000K	450	80	3.48	1.89	25K	045923090653	24/6
S9067	5.5A15/LED/4000K/E17/120V	5.5	120	A15	E17	FR	4000K	450	80	3.48	1.89	25K	045923090677	24/6
S9068	5.5A15/LED/5000K/E17/120V	5.5	120	A15	E17	FR	5000K	450	80	3.48	1.89	25K	045923090684	24/6
90 CRI—CEC/T20														
S8572	5A15/LED/2700K/120V	5	120	A15	E26	FR	2700K	450	90	3.48	1.89	25K	045923085727	24/6
S8573	5A15/LED/3000K/120V	5	120	A15	E26	FR	3000K	450	90	3.48	1.89	25K	045923085734	24/6

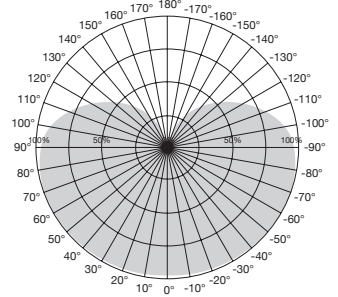
^ For minimum compartment size of enclosed fixture visit www.satco.com

Product sheet SA2267

40W REPLACEMENT LED A19 LAMPS

Features:

- Direct replacement for 40 watt incandescent lamps or 9 watt CFL, uses only 5.8 watts
- Residential and commercial lighting
- 2700K, 3000K, 4000K & 5000K options
- Damp location
- 10,000 to 25,000 hours
- Dimmable & non-dimmable
- Approved for enclosed fixtures[^]
- 3-5 year warranty



Beam Angle: 220°



Item	Description	W	V	Bulb Shape	Base	Finish	CCT	Lm	CRI	MOL (in.)	MOD (in.)	Life (hrs.)	UPC	Pack
Dimmable														
S29830	6A19/OMNI/220/LED/27K	6	120	A19	E26	FR	2700K	480	80	4.33	2.36	25K	045923298301	24/6
S29831	6A19/OMNI/220/LED/30K	6	120	A19	E26	FR	3000K	480	80	4.33	2.36	25K	045923298318	24/6
S29832	6A19/OMNI/220/LED/35K	6	120	A19	E26	FR	3500K	480	80	4.33	2.36	25K	045923298325	24/6
S29833	6A19/OMNI/220/LED/40K	6	120	A19	E26	FR	4000K	480	80	4.33	2.36	25K	045923298332	24/6
S29834	6A19/OMNI/220/LED/50K	6	120	A19	E26	FR	5000K	480	80	4.33	2.36	25K	045923298349	24/6
Dimmable 4 Packs														
S11450	5A19/LED/827/120V/D/4PK	5	120	A19	E26	FR	2700K	450	80	4.17	2.38	15K	045923101502	12-4pks
S11451	5A19/LED/830/120V/D/4PK	5	120	A19	E26	FR	3000K	450	80	4.17	2.38	15K	045923101519	12-4pks
S11452	5A19/LED/840/120V/D/4PK	5	120	A19	E26	FR	4000K	450	80	4.17	2.38	15K	045923101526	12-4pks
S11453	5A19/LED/850/120V/D/4PK	5	120	A19	E26	FR	5000K	450	80	4.17	2.38	15K	045923114533	12-4pks
Non-Dimmable														
S11402	5.8A19/LED/27K/120V/ECO/ND	5.8	120	A19	E26	FR	2700K	450	80	4.33	2.36	10K	045923114021	24/6
S11403	5.8A19/LED/30K/120V/ECO/ND	5.8	120	A19	E26	FR	3000K	450	80	4.33	2.36	10K	045923114038	24/6
S11404	5.8A19/LED/40K/120V/ECO/ND	5.8	120	A19	E26	FR	4000K	450	80	4.33	2.36	10K	045923114045	24/6
S11405	5.8A19/LED/50K/120V/ECO/ND	5.8	120	A19	E26	FR	5000K	450	80	4.33	2.36	10K	045923114052	24/6
S9590	6A19/LED/2700K/120V	6	120	A19	E26	FR	2700K	480	80	4.33	2.36	15K	045923095900	24/6
S9591	6A19/LED/3000K/120V	6	120	A19	E26	FR	3000K	480	80	4.33	2.36	15K	045923095917	24/6
S9592	6A19/LED/5000K/120V	6	120	A19	E26	FR	5000K	480	80	4.33	2.36	15K	045923095924	24/6
90 CRI - CEC/T20 - Dimmable▲														
S11320	5.5A19/LED/927/120V/D	5.5	120	A19	E26	FR	2700K	450	90	4.33	2.36	25K	045923113208	24/6
S11321	5.5A19/LED/930/120V/D	5.5	120	A19	E26	FR	3000K	450	90	4.33	2.36	25K	045923113215	24/6
90 CRI - CEC/T20 - Non-Dimmable▲														
S28557	5.5A19/LED/927/120V/ND/4PK	5.5	120	A19	E26	FR	2700K	450	90	4.33	2.36	15K	045923285578	12-4pks
S28558	5.5A19/LED/930/120V/ND/4PK	5.5	120	A19	E26	FR	3000K	450	90	4.33	2.36	15K	045923285585	12-4pks
S28593	5.5A19/LED/940/120V/ND/4PK	5.5	120	A19	E26	FR	4000K	450	90	4.33	2.36	15K	045923285936	12-4pks
S28594	5.5A19/LED/950/120V/ND/4PK	5.5	120	A19	E26	FR	5000K	450	90	4.33	2.36	15K	045923285943	12-4pks

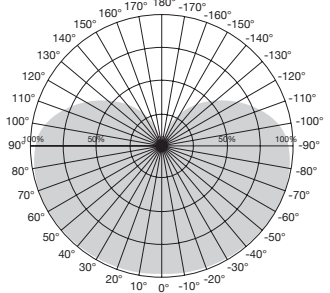
4-packs must be ordered in full cases only. ^See warranty for details at www.satco.com

Product sheet SA2648

40W & 60W CANDELABRA BASE REPLACEMENT LED A19 LAMPS

Features:

- Direct replacements for 9 watt and 13 watt candelabra base CFL
- Indoor residential and commercial lighting
- Display lighting
- Accent lighting
- Dimmable
- 2700K, 3000K, 4000K and 5000K options
- Damp location
- Approved for totally enclosed fixtures ^
- Long life—25,000 hours
- 5 year warranty



Beam Angle: 220°



Item	Description	W	V	Bulb Shape	Base	Finish	CCT	Lm	CRI	MOL (in.)	MOD (in.)	Life (hrs.)	UPC	Pack
40W Replacement														
S21800	6A19/OMNI/220/LED/E12/27K	6	120	A19	E12	FR	2700K	480	80	4.33	2.36	25K	045923218002	24/6
S21801	6A19/OMNI/220/LED/E12/30K	6	120	A19	E12	FR	3000K	480	80	4.33	2.36	25K	045923218019	24/6
S21802	6A19/OMNI/220/LED/E12/40K	6	120	A19	E12	FR	4000K	480	80	4.33	2.36	25K	045923218026	24/6
S21803	6A19/OMNI/220/LED/E12/50K	6	120	A19	E12	FR	5000K	480	80	4.33	2.36	25K	045923218033	24/6
60W Replacement														
S21804	9.8A19/OMNI/220/LED/E12/27K	9.8	120	A19	E12	FR	2700K	800	80	4.33	2.36	25K	045923218040	24/6
S21805	9.8A19/OMNI/220/LED/E12/30K	9.8	120	A19	E12	FR	3000K	800	80	4.33	2.36	25K	045923218057	24/6
S21806	9.8A19/OMNI/220/LED/E12/40K	9.8	120	A19	E12	FR	4000K	800	80	4.33	2.36	25K	045923218064	24/6
S21807	9.8A19/OMNI/220/LED/E12/50K	9.8	120	A19	E12	FR	5000K	800	80	4.33	2.36	25K	045923218071	24/6

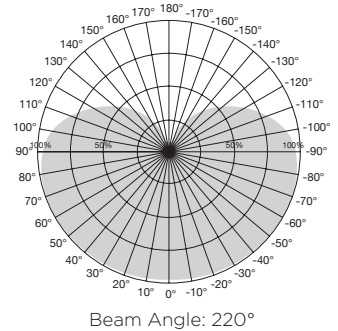
^ For minimum compartment size of enclosed fixture visit www.satco.com

Product sheet SA2469

60W REPLACEMENT LED A19 LAMPS

Features:

- Indoor residential and commercial lighting
- Innovative design-smooth heat sink design to resemble traditional incandescent lamp
- 2700K, 3000K, 3500K, 4000K & 5000K options
- Damp location
- Dimmable and non-dimmable options
- Approved for totally enclosed fixtures[^]
- E26 & GU24 base options
- CEC/T20 compliant options available
- Long life—up to 25,000 hours
- 3 year warranty—10,000-15,000 hours
- 5 year warranty—25,000 hours



Item	Description	W	V	Bulb Shape	Base	Finish	CCT	Lm	CRI	MOL (in.)	MOD (in.)	Life (hrs.)	UPC	Pack	
Dimmable															
S29835	9.8A19/OMNI/220/LED/27K	9.8	120	A19	E26	FR	2700K	800	80	4.33	2.36	25K	045923298356	24/6	
S29836	9.8A19/OMNI/220/LED/30K	9.8	120	A19	E26	FR	3000K	800	80	4.33	2.36	25K	045923298363	24/6	
S29837	9.8A19/OMNI/220/LED/35K	9.8	120	A19	E26	FR	3500K	800	80	4.33	2.36	25K	045923298370	24/6	
S29838	9.8A19/OMNI/220/LED/40K	9.8	120	A19	E26	FR	4000K	800	80	4.33	2.36	25K	045923298387	24/6	
S29839	9.8A19/OMNI/220/LED/50K	9.8	120	A19	E26	FR	5000K	800	80	4.33	2.36	25K	045923298394	24/6	
S29840	9.8A19/OMNI/220/LED/27K/GU24	9.8	120	A19	GU24	FR	2700K	800	80	4.33	2.36	25K	045923298400	24/6	
S29844	9.8A19/OMNI/220/LED/30K/GU24	9.8	120	A19	GU24	FR	3000K	800	80	4.33	2.36	25K	045923298448	24/6	
S29841	9.8A19/OMNI/220/LED/35K/GU24	9.8	120	A19	GU24	FR	3500K	800	80	4.33	2.36	25K	045923298417	24/6	
S29842	9.8A19/OMNI/220/LED/40K/GU24	9.8	120	A19	GU24	FR	4000K	800	80	4.33	2.36	25K	045923298424	24/6	
S29843	9.8A19/OMNI/220/LED/50K/GU24	9.8	120	A19	GU24	FR	5000K	800	80	4.33	2.36	25K	045923298431	24/6	
90 CRI															
S9703	10A19/OMNI/LED/27K/90CRI	10	120	A19	E26	FR	2700K	800	90	4.33	2.36	25K	045923097034	24/6	
S9704	10A19/OMNI/LED/3K/90CRI	10	120	A19	E26	FR	3000K	800	90	4.33	2.36	25K	045923097041	24/6	
S9709	10A19/LED/35K/90CRI	10	120	A19	E26	FR	3500K	800	90	4.33	2.36	25K	045923097096	24/6	
S8480	10A19/LED/4K/90CRI	10	120	A19	E26	FR	4000K	800	90	4.33	2.36	25K	045923084805	24/6	
S8481	10A19/LED/5K/90CRI	10	120	A19	E26	FR	5000K	800	90	4.33	2.36	25K	045923084812	24/6	
S9707	10A19/OMNI/LED/27K/90CRI/GU24	10	120	A19	GU24	FR	2700K	800	90	4.33	2.36	25K	045923097072	24/6	
S9708	10A19/OMNI/LED/3K/90CRI/GU24	10	120	A19	GU24	FR	3000K	800	90	4.33	2.36	25K	045923097089	24/6	
S8482	10A19/LED/4K/90CRI/GU24	10	120	A19	GU24	FR	4000K	800	90	4.33	2.36	25K	045923084829	24/6	
Non-Dimmable															
S29593	9.5A19/LED/827/ND/120V	9.5	120	A19	E26	FR	2700K	800	80	4.33	2.36	15K	045923295935	24/6	
S9594	9.5A19/LED/3000K/ND/120V	9.5	120	A19	E26	FR	3000K	800	80	4.33	2.36	15K	045923095948	24/6	
S29595	9.5A19/LED/850/ND/120V	9.5	120	A19	E26	FR	5000K	800	80	4.33	2.36	15K	045923295959	24/6	
S11406	9.8A19/LED/27K/120V/ECO/ND	9.8	120	A19	E26	FR	2700K	800	80	4.33	2.36	10K	045923114069	24/6	
S11407	9.8A19/LED/30K/120V/ECO/ND	9.8	120	A19	E26	FR	3000K	800	80	4.33	2.36	10K	045923114076	24/6	
S11408	9.8A19/LED/40K/120V/ECO/ND	9.8	120	A19	E26	FR	4000K	800	80	4.33	2.36	10K	045923114083	24/6	
S11409	9.8A19/LED/50K/120V/ECO/ND	9.8	120	A19	E26	FR	5000K	800	80	4.33	2.36	10K	045923114090	24/6	
120-277V															
S28914	8.8A19/LED/927/120-277V	8.8	120-277	A19	E26	FR	2700K	800	80	4.33	2.36	25K	045923089149	24/6	
S28915	8.8A19/LED/930/120-277V	8.8	120-277	A19	E26	FR	3000K	800	80	4.33	2.36	25K	045923089156	24/6	
S28916	8.8A19/LED/940/120-277V	8.8	120-277	A19	E26	FR	4000K	800	80	4.33	2.36	25K	045923089163	24/6	
S28920	8.8A19/LED/950/120-277V	8.8	120-277	A19	E26	FR	5000K	800	80	4.33	2.36	25K	045923089200	24/6	

[^] See warranty for details at www.satco.com

LOW VOLTAGE 12-34V LED A19 LAMPS

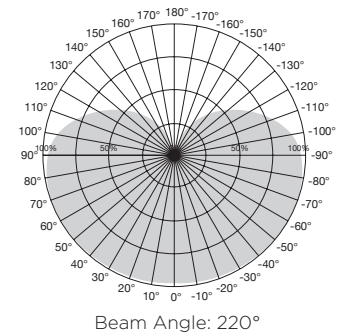


Features:

- 60 watt incandescent replacement, uses only 9.2 watts
- High efficiency—reduces drain on battery
- AC 12-24V
- DC 12-34V
- 800 lumens
- Long life—25,000 hours
- 5 year warranty

Applications:

- RVs and campers
- Marine applications



**800
LUMENS**

**25,000
HOURS**

Item	Description	W	V	Bulb Shape	Base	Finish	CCT	Lm	CRI	MOL (in.)	MOD (in.)	Life (hrs.)	UPC	Pack
S25011	9.2A19/LED/12-34VDC/827/ND	9.2	12V-34V	A19	E26	FR	2700K	800	80	4.33	2.36	25K	045923265112	24/6
S25012	9.2A19/LED/12-34VDC/850/ND	9.2	12V-34V	A19	E26	FR	5000K	800	80	4.33	2.36	25K	045923265129	24/6

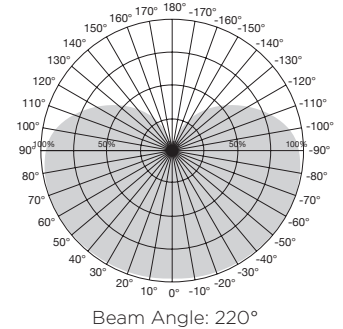
^ See warranty for details at www.satco.com

Product sheet SA2806

60W REPLACEMENT LED A19 2 PACKS & 4-PACKS

Features:

- Direct replacement for 60 watt replacement incandescent lamps and for 13 wall screw-in CFLs, uses only 9.5-10 Watts
- Indoor residential and commercial lighting
- 2700K, 3000K, 4000K and 5000K options
- Damp location
- Approved for totally enclosed fixtures ^
- Long life—up to 15,000 hours
- 3 year warranty



Item	Description	W	V	Bulb Shape	Base	Finish	CCT	Lm	CRI	MOL (in.)	MOD (in.)	Life (hrs.)	UPC	Pack
Dimmable 4 Packs														
S11414**	9.5A19/LED/827/120V/D/4PK	9.5	120	A19	E26	FR	2700K	800	80	4.17	2.38	15K	045923114144	12-4pks
S11415**	9.5A19/LED/830/120V/D/4PK	9.5	120	A19	E26	FR	3000K	800	80	4.17	2.38	15K	045923114151	12-4pks
S11416**	9.5A19/LED/840/120V/D/4PK	9.5	120	A19	E26	FR	4000K	800	80	4.17	2.38	15K	045923114168	12-4pks
S11417**	9.5A19/LED/850/120V/D/4PK	9.5	120	A19	E26	FR	5000K	800	80	4.17	2.38	15K	045923114175	12-4pks
Non-Dimmable 4 Packs														
S39596	9.5A19/LED/827/ND/120V/4PK	9.5	120	A19	E26	FR	2700K	800	80	4.33	2.36	15K	045923395963	12-4pks
S29589	9.5A19/LED/830K/ND/120V/4PK	9.5	120	A19	E26	FR	3000K	800	80	4.33	2.36	15K	045923295898	12-4pks
S29558	9.5A19/LED/840K/ND/120V/4PK	9.5	120	A19	E26	FR	4000K	800	80	4.33	2.36	15K	045923295584	12-4pks
S39597	9.5A19/LED/850/ND/120V/4PK	9.5	120	A19	E26	FR	5000K	800	80	4.33	2.36	15K	045923395970	12-4pks
Non-Dimmable 2 Packs														
S11434	9.8A19/LED/827/ECO/ND/2PK	9.8	120	A19	E26	FR	2700K	800	80	4.33	2.36	10K	045923114342	24-2pks
S11435	9.8A19/LED/850/ECO/ND/2PK	9.8	120	A19	E26	FR	5000K	800	80	4.33	2.36	10K	045923114359	24-2pks
90 CRI—CEC/T20 4 Packs - Non-Dimmable														
S28560	10A19/LED/927/120V/ND/4PK	10	120	A19	E26	FR	2700K	800	90	4.33	2.36	15K	045923285608	12-4pks
S28561	10A19/LED/930/120V/ND/4PK	10	120	A19	E26	FR	3000K	800	90	4.33	2.36	15K	045923285615	12-4pks
S28562	10A19/LED/940/120V/ND/4PK	10	120	A19	E26	FR	4000K	800	90	4.33	2.36	15K	045923285622	12-4pks
S28563	10A19/LED/950/120V/ND/4PK	10	120	A19	E26	FR	5000K	800	90	4.33	2.36	15K	045923285639	12-4pks

Must be ordered in full cases only. *See warranty for details at www.satco.com. **Beam Angle 230°

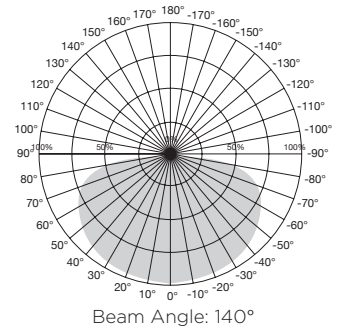
Product sheet SA2659

COMMERCIAL GRADE LED A19 LAMPS



Features:

- Up to 1600 lumens
- Enhanced dimming
- Wet location
- Rough service
- Approved for totally enclosed fixtures ^



Item	Description	W	V	Bulb Shape	Base	Finish	CCT	Lm	CRI	MOL (in.)	MOD (in.)	Life (hrs.)	UPC	Pack
S11430	5A19/LED/827/AGRI/120V/D	5	120	A19	E26	FR	2700K	550	80	4.61	2.36	25K	045923114304	48/12
S11431	5A19/LED/850/AGRI/120V/D	5	120	A19	E26	FR	5000K	550	80	4.61	2.36	25K	045923114311	48/12
S11432	8.5A19/LED/827/AGRI/120V/D	8.5	120	A19	E26	FR	2700K	1000	80	4.61	2.36	25K	045923114328	48/12
S11433	8.5A19/LED/850/AGRI/120V/D	8.5	120	A19	E26	FR	5000K	1000	80	4.61	2.36	25K	045923114335	48/12
S11458	10.5A19/LED/827/AGRI/120V/D	10.5	120	A19	E26	FR	2700K	1600	80	4.61	2.36	25K	045923114588	48/12
S11459	10.5A19/LED/850/AGRI/120V/D	10.5	120	A19	E26	FR	5000K	1600	80	4.61	2.36	25K	045923114595	48/12

^ For minimum compartment size of enclosed fixture visit www.satco.com

Product sheet SA2575

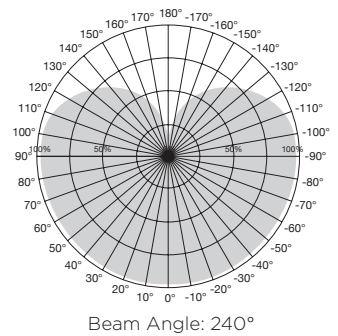
60W REPLACEMENT LED A19 LAMP DISPLAY PACK

Features:

- Direct replacement for 60 watt incandescent lamps, uses only 10 watts
- Indoor residential and commercial lighting
- Warm white 2700K
- Damp location
- Approved for totally enclosed fixtures[^]
- Long life—25,000 hours
- 3 year warranty



Sold 72 per display



Item	Description	W	V	Bulb Shape	Base	Finish	CCT	Lm	CRI	MOL (in.)	MOD (in.)	Life (hrs.)	UPC	Pack
Dimmable														
S29629	10A19/LED/2700K/800L/120V	10	120	A19	E26	FR	2700K	800	80	4.38	2.38	25K	045923296291	72

Must be ordered in full cases only. [^]For minimum compartment size of enclosed fixture visit www.satco.com Product sheet SA1994

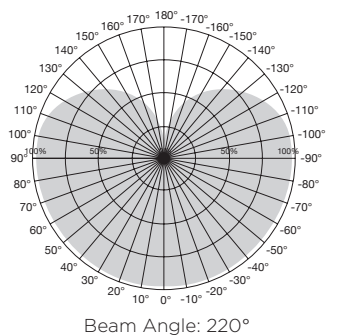
2-LAMP DISPLAY PACK

Features:

- Indoor residential and commercial lighting
- Great for retail end caps and counter areas
- 60 watt replacement uses only 9.8 watts
- Innovative design—smooth heat sink design to resemble traditional incandescent lamp
- 2700K
- Damp location
- Approved for totally enclosed fixtures[^]
- 5 Year warranty



Sold 60 2-Pks per display



Item	Description	W	V	Bulb Shape	Base	Finish	CCT	Lm	CRI	MOL (in.)	MOD (in.)	Life (hrs.)	UPC	Pack
Dimmable														
S29699	9.8A19/LED/2700K/800L/2PK	9.8	120	A19	E26	FR	2700K	800	80	4.33	2.36	25K	045923296994	60-2pks

Must be ordered in full cases only. [^]See warranty for details at www.satco.com Product sheet SA2043

LED A19 LAMP 4-PACK FLOOR & COUNTER DISPLAY!

LED A19 Lamp 4-Pack Display Combo,
2700K and 5000K,

9.5 Watt LED A19/Warm White & Natural Light

800 Lumens/60 Watt Replacement

Non-Dimmable

Contains 48 4-Packs:

24 4-packs - S39596/2700K

24 4-packs - S39597/5000K

D2100
48 4-Packs
LED A19 display



Product sheet SA2876

Item	Description	Watt	Replaces	CCT	Lm	Pack*
D2100	A19 Display/8 pack	9.5	60W	2700 & 5000	800	48/4

*Sold per display only



LED A19 LAMP 8-PACK FLOOR & COUNTER DISPLAY!

Choose 2700K or 5000K CCT

9 Watt LED A19

750 Lumens

Non-Dimmable

Item #	Description	Watt	Replaces	CCT	Lm	Pack*
D2104	A19 Display/8 pack	9	60W	2700	750	36/8
D2105	A19 Display/8 pack	9	60W	5000	750	36/ 8

*Sold per display only



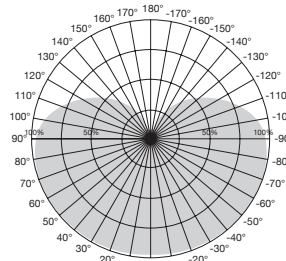
Product sheet SA2884



60W REPLACEMENT LED A19 10 PACKS

Features:

- Direct replacements for 60W incandescent lamps uses only 9 Watts
- Value-packed for retail or contractor sales
- Direct replacement for 13 watt screw-in CFLs
- Indoor residential and commercial lighting
- 3000K, and 5000K options
- Damp location
- Approved for totally enclosed fixtures ^
- Long life—10,000 hours
- Non-dimmable
- 3 year warranty



Beam Angle: 220°



Item	Description	W	V	Bulb Shape	Base	Finish	CCT	Lm	CRI	MOL (in.)	MOD (in.)	Life (hrs.)	UPC	Pack
S11400	9A19/LED/E26/3K/120V/10PK	9	120	A19	E26	FR	3000K	760	80	4.38	2.38	10K	045923114007	4-10pks
S11401	9A19/LED/E26/5K/120V/10PK	9	120	A19	E26	FR	5000K	760	80	4.38	2.38	10K	045923114014	4-10pks
90 CRI—CEC/T20A														
S11410	9.5A19/LED/930/120V/10PK	9.5	120	A19	E26	FR	3000K	760	90	4.41	2.38	10K	045923114106	4-10pks
S11411	9.5A19/LED/950/120V/10PK	9.5	120	A19	E26	FR	5000K	760	90	4.41	2.38	10K	045923114113	4-10pks

Master Cases 4/10 Pks ^For minimum compartment size of enclosed fixture visit www.satco.com

100PC CONTRACTOR PACKS

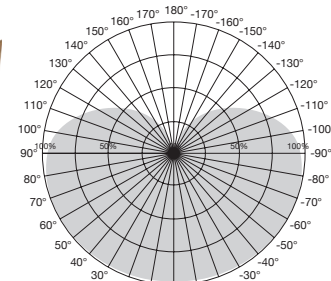
Features:

- Direct replacement for 60 watt incandescent lamps or 13 watt CFL, uses only 9 watts
- 100 per carton for easier installation and storage
- Residential and commercial lighting
- 2700K & 4000K options
- Damp location
- Approved for totally enclosed fixtures ^
- 10,000 hours
- Non-dimmable
- 3 year warranty



23 3/8"

4 Trays per Master Carton



Beam Angle: 220°



Item	Description	W	V	Bulb Shape	Base	Finish	CCT	Lm	CRI	MOL (in.)	MOD (in.)	Life (hrs.)	UPC	Pack
S11412	9A19/LED/E26/827/120V/100PK	9	120	A19	E26	FR	2700K	760	80	4.41	2.38	10K	045923114120	100
S11413	9A19/LED/E26/840/120V/100PK	9	120	A19	E26	FR	4000K	760	80	4.41	2.38	10K	045923114137	100

^For minimum compartment size of enclosed fixture visit www.satco.com

LED A19 COLORS

Features:

- Direct replacement for 60 watt incandescent lamps, uses only 8 watts
- Indoor residential and commercial lighting
- Party bulbs
- Display lighting
- Accent lighting
- Ceramic-lined glass envelopes
- 360° beam angle
- Damp location
- Approved for totally enclosed fixtures*
- Long life-15,000 hours
- 3 year warranty

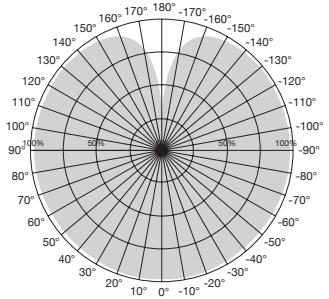


S14990
Blacklight



Colors for a reason

- Blue—in support of law enforcement/Autism awareness
- Green—in support of veterans
- Yellow—bug lights
- Pink—Breast cancer awareness



Beam Angle: 360°



Item	Description	W	V	Bulb Shape	Base	Finish	MOL (in.)	MOD (in.)	Life (hrs.)	UPC	Pack
S14984	8A19/RED/LED/E26/120V	8	120	A19	E26	CER RED	4.13	2.38	15K	045923149849	24/6
S14985	8A19/BLUE/LED/E26/120V	8	120	A19	E26	CER BLUE	4.13	2.38	15K	045923149856	24/6
S14986	8A19/GREEN/LED/E26/120V	8	120	A19	E26	CER GRN	4.13	2.38	15K	045923149863	24/6
S14987	8A19/YELLOW/E26/120V	8	120	A19	E26	CER YLW	4.13	2.38	15K	045923149870	24/6
S14988	8A19/ORANGE/LED/E26/120V	8	120	A19	E26	CER ORNG	4.13	2.38	15K	045923149887	24/6
S14989	8A19/PINK/LED/E26/120V	8	120	A19	E26	CER PINK	4.13	2.38	15K	045923149894	24/6
S14990*	6.5A19/BL/LED/E26/120V	6.5	120	A19	E26	BLACK	4.17	2.36	15K	045923149900	24/6

*For minimum compartment size of enclosed fixture visit www.satco.com. *Not dimmable.

LED A21 LAMP WITH BATTERY BACKUP



On/Off Button

Features:

- Up to 5 hours of illumination in the event of a power outage
- Use as a flashlight in the event of an emergency
- Charges during regular use
- Offers 220° of illumination
- Long life - up to 15,000 hours



Item	Description	W	V	Bulb Shape	Base	Finish	CCT	Lm	CRI	MOL (in.)	MOD (in.)	Life (hrs.)	UPC	Pack
S11468	8A21/BATTERY BU/LED/830	8	120	A21	E26	FR	3000K	760	80	5.59	2.60	15K	045923114687	24/6
S11469	8A21/BATTERY BU/LED/850	8	120	A21	E26	FR	5000K	760	80	5.59	2.60	15K	045923114694	24/6

Product sheet SA2988

LED A19 DUSK TO DAWN LAMPS



ON AT DUSK, OFF AT DAWN

Features:

- Direct replacement for 60 watt incandescent lamp uses only 6.5 or 8 watts
- Non-dimmable
- Indoor/outdoor residential and commercial lighting
- Automatic operation -no timers to set
- Internal sensor works in any direction
- Damp location
- Long life - up to 15,000 hours



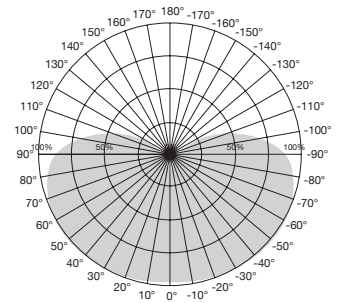
LED A19 DUSK TO DAWN LAMPS



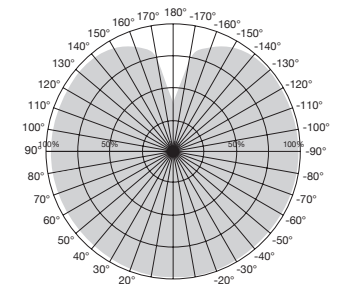
S11428



S11427
S11429



Beam Angle: 200° (White)



Beam Angle: 320°



Item	Lamp Description	Finish	W	V	CRI	CCT	Lm	Life/ Hrs.	UPC	Pack
S11428	6.5A19/DUSK/DAWN/LED/CL/27K	CL	6.5	120	80	2700K	800	15K	045923114281	24/6
S11429*	8A19/DUSK/DAWN/LED/27K	WH	8.5	120	90	2700K	800	15K	045923114295	24/6
S11427*	8A19/DUSK/DAWN/LED/50K	WH	8.5	120	90	5000K	800	15K	045923114274	24/6

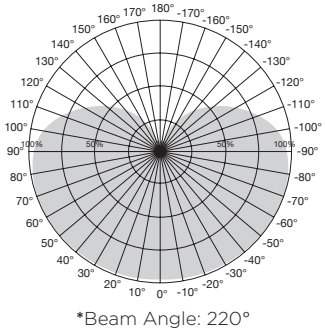
Not compatible with external photo sensors, motion sensors or timers
 *See warranty for details at www.satco.com

Product sheet SA2667

75W REPLACEMENT LED A19 LAMPS

Features:

- Direct replacement for 75 watt incandescent lamps, uses only 10-11.5 watts
- Indoor residential and commercial lighting
- Damp location
- Approved for totally enclosed fixtures - E26 & GU24 base options
- Dimmable and non-dimmable options
- CEC/T20 compliant options available
- 3 year warranty—15,000 hours
- 5 year warranty—25,000 hours



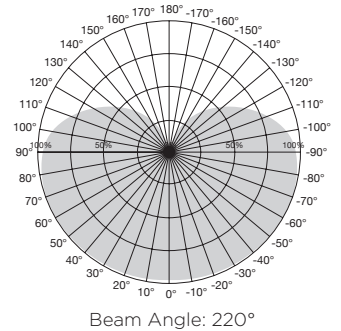
Item	Description	W	V	Bulb Shape	Base	Finish	CCT	Lm	CRI	MOL (in.)	MOD (in.)	Life (hrs.)	UPC	Pack	
Dimmable															
S29810†	11A19/LED/2700K/1100L/120V/D	11	120	A19	E26	FR	2700K	1100	80	4.33	2.36	25K	045923298103	24/6	
S29811†	11A19/LED/3000K/1100L/120V/D	11	120	A19	E26	FR	3000K	1100	80	4.33	2.36	25K	045923298110	24/6	
S29812†	11A19/LED/4000K/1100L/120V/D	11	120	A19	E26	FR	4000K	1100	80	4.33	2.36	25K	045923298127	24/6	
S29813†	11A19/LED/5000K/1100L/120V/D	11	120	A19	E26	FR	5000K	1100	80	4.33	2.36	25K	045923298134	24/6	
S29814†	11A19/LED/2700K/120V/D/GU24	11	120	A19	GU24	FR	2700K	1100	80	4.33	2.36	25K	045923298141	24/6	
S29804†	11A19/LED/4000K/120V/D/GU24	11	120	A19	GU24	FR	4000K	1100	80	4.33	2.36	25K	045923298042	24/6	
90 CRI—CEC/T20▲															
S28650†■	11.5A19LED/927/120V	11.5	120	A19	E26	FR	2700K	1100	90	4.33	2.36	25K	045923286506	24/6	
S28483†	11.5A19LED/940/120V	11.5	120	A19	E26	FR	4000K	1100	90	4.33	2.36	25K	045923284830	24/6	
S28484†	11.5A19LED/950/120V	11.5	120	A19	E26	FR	5000K	1100	90	4.33	2.36	25K	045923284847	24/6	
S21323†■	11.5A19LED/927/120V/2PK	11.5	120	A19	E26	FR	2700K	1100	90	4.33	2.36	25K	045923200069	12-2pks	
S21324†■	11.5A19LED/927/GU24/120V	11.5	120	A19	GU24	FR	2700K	1100	90	4.33	2.36	25K	045923200076	24/6	
S21325†■	11.5A19LED/930/GU24/120V	11.5	120	A19	GU24	FR	3000K	1100	90	4.33	2.36	25K	045923200083	24/6	
S28485†■	11.5A19LED/940/GU24/120V	11.5	120	A19	GU24	FR	4000K	1100	90	4.33	2.36	25K	045923284854	24/6	
Non-Dimmable															
S28765	11.5A19/LED/27K/ND/120V	11.5	120	A19	E26	FR	2700K	1100	80	4.33	2.36	15K	045923287657	24/6	
S28766	11.5A19/LED/30K/ND/120V	11.5	120	A19	E26	FR	3000K	1100	80	4.33	2.36	15K	045923287664	24/6	
S28767	11.5A19/LED/40K/ND/120V	11.5	120	A19	E26	FR	4000K	1100	80	4.33	2.36	15K	045923287671	24/6	
S28768	11.5A19/LED/50K/ND/120V	11.5	120	A19	E26	FR	5000K	1100	80	4.33	2.36	15K	045923287688	24/6	
Left Hand Threaded															
S11310*	10A19/LED/830/LHT	10	120	A19	E26LHT	FR	3000K	1050	80	4.56	2.38	15K	045923113109	24/6	
S11311*	10A19/LED/840/LHT	10	120	A19	E26LHT	FR	4000K	1050	80	4.56	2.38	15K	045923113116	24/6	

*For minimum compartment size of enclosed fixture visit www.satco.com. *Beam Angle 200°

75W REPLACEMENT LED A19 4-PACKS

Features:

- Direct replacement for 75 watt incandescent lamps, uses only 11.5-12.5 watts
- Indoor residential and commercial lighting
- Direct replacement for 18 watt screw-in CFLs
- 2700K, 3000K, 4000K and 5000K options
- Damp location
- Approved for totally enclosed fixtures
- Long life—up to 15,000 hours
- 3 year warranty



Item	Description	W	V	Bulb Shape	Base	Finish	CCT	Lm	CRI	MOL (in.)	MOD (in.)	Life (hrs.)	UPC	Pack
4 Packs														
S11454*	13A19/LED/827/120V/D/4PK	13	120	A19	E26	FR	2700K	1100	80	4.56	2.38	15K	045923114540	12-4pks
S11455	13A19/LED/830/120V/D/4PK	13	120	A19	E26	FR	3000K	1100	80	4.56	2.38	15K	045923114557	12-4pks
S11456	13A19/LED/840/120V/D/4PK	13	120	A19	E26	FR	4000K	1100	80	4.56	2.38	15K	045923114564	12-4pks
S11457*	13A19/LED/850/120V/D/4PK	13	120	A19	E26	FR	5000K	1100	80	4.56	2.38	15K	045923114571	12-4pks
Non-Dimmable														
S28769	11.5A19/LED/27K/ND/120V/4PK	11.5	120	A19	E26	FR	2700K	1100	80	4.33	2.36	15K	045923287695	12-4pks
S28770	11.5A19/LED/50K/ND/120V/4PK	11.5	120	A19	E26	FR	5000K	1100	80	4.33	2.36	15K	045923287701	12-4pks
90 CRI—CEC/T20▲														
S8564	12.5A19/LED/27K/ND/120V/4PK	12.5	120	A19	E26	FR	2700K	1050	90	4.38	2.38	15K	045923085642	12-4pks
S8499	12.5A19/LED/30K/ND/120V/4PK	12.5	120	A19	E26	FR	3000K	1050	90	4.38	2.38	10K	045923084997	12-4pks
S8489	12.5A19/LED/40K/ND/120V/4PK	12.5	120	A19	E26	FR	4000K	1050	90	4.38	2.38	10K	045923084898	12-4pks
S8565	12.5A19/LED/50K/ND/120V/4PK	12.5	120	A19	E26	FR	5000K	1050	90	4.38	2.38	15K	045923085659	12-4pks

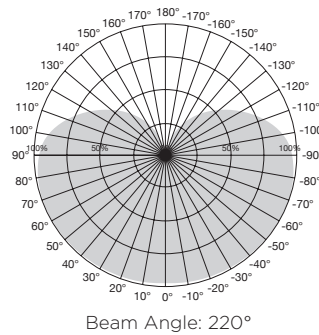
Must be ordered in full cases only. *For minimum compartment size of enclosed fixture visit www.satco.com. *Beam Angle 230°

Product sheet SA2152

75W REPLACEMENT LED A19 10-PACKS

Features:

- Direct replacement for 75 watt incandescent lamps
- Indoor residential and commercial lighting
- Direct replacement for 18 watt screw-in CFLs
- 3000K and 5000K options
- Damp location
- Approved for totally enclosed fixtures
- Long life—10,000 hours
- 3 year warranty



Item	Description	W	V	Bulb Shape	Base	Finish	CCT	Lm	CRI	MOL (in.)	MOD (in.)	Life (hrs.)	UPC	Pack
S11437	12A19/LED/E26/830/120V/10PK	12	120	A19	E26	FR	3000K	1050	80	4.41	2.36	10K	045923114373	4-10pks
S11438	12A19/LED/E26/850/120V/10PK	12	120	A19	E26	FR	5000K	1050	80	4.41	2.36	10K	045923114380	4-10pks

*For minimum compartment size of enclosed fixture visit www.satco.com

Product sheet SA2624

LED A19 MOTION SENSOR LAMPS



Features:

- Motion activated sensor
- Sensor has a 90° viewing angle and 26' range
- Works with standard fixtures
- Light activates for 5 minutes when motion is detected
- Dusk to Dawn operation
- Dual mode capable with motion sensor or always-on



LED A19 MOTION SENSOR LAMPS



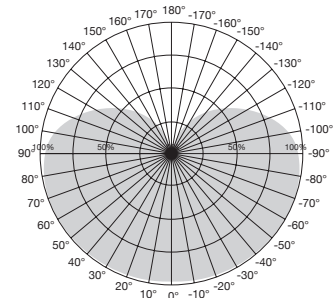
Item	Description	W	V	Bulb Shape	Base	Finish	CCT	Lm	CRI	MOL (in.)	MOD (in.)	Life (hrs.)	UPC	Pack
S11445	12A19/PIR/930/120V/ND	12	120	A19	E26	FR	3000K	1050L	90	5.11	2.36	15K	045923114458	24/6
S11446	12A19/PIR/950/120V/ND	12	120	A19	E26	FR	5000K	1050L	90	5.11	2.36	15K	045923114465	24/6

Product sheet SA2963

100W REPLACEMENT LED A19

Features:

- Direct replacement for 100 watt incandescent lamps, uses only 15-16.5 watts
- Indoor residential and commercial lighting
- Damp location
- Dimmable and non-dimmable options
- Approved for totally enclosed fixtures ^
- CEC/T20 compliant options available
- Long life—up to 25,000 hours
- 3 year warranty—15,000 hours
- 5 year warranty—25,000 hours



Beam Angle: 220°



Item	Description	W	V	Bulb Shape	Base	Finish	CCT	Lm	CRI	MOL (in.)	MOD (in.)	Life (hrs.)	UPC	Pack
Dimmable														
S29815 [†]	15A19/LED/2700K/1600L/120V/D	15	120	A19	E26	FR	2700K	1600	80	4.65	2.36	25K	045923298158	24/6
S29816 [†]	15A19/LED/3000K/1600L/120V/D	15	120	A19	E26	FR	3000K	1600	80	4.65	2.36	25K	045923298165	24/6
S29817 [†]	15A19/LED/4000K/1600L/120V/D	15	120	A19	E26	FR	4000K	1600	80	4.65	2.36	25K	045923298172	24/6
S29818 [†]	15A19/LED/5000K/1600L/120V/D	15	120	A19	E26	FR	5000K	1600	80	4.65	2.36	25K	045923298189	24/6
S29819 [†]	15A19/LED/27K/1600/120V/GU24	15	120	A19	GU24	FR	2700K	1600	80	4.5	2.36	25K	045923298196	24/6
S29805 [†]	15A19/LED/40K/1600/120V/GU24	15	120	A19	GU24	FR	4000K	1600	80	4.5	2.36	25K	045923298059	24/6
90 CRI—CEC/T20[▲]														
S28652 ^{**}	16.5A19LED/927/120V	16.5	120	A19	E26	FR	2700K	1600	90	4.65	2.36	25K	045923286520	24/6
S28653 ^{**}	16.5A19LED/930/120V	16.5	120	A19	E26	FR	3000K	1600	90	4.65	2.36	25K	045923286537	24/6
S28486 ^{**}	16.5A19LED/940/120V	16.5	120	A19	E26	FR	4000K	1600	90	4.65	2.36	25K	045923284861	24/6
S28487 [†]	16.5A19LED/950/120V	16.5	120	A19	E26	FR	5000K	1600	90	4.65	2.36	25K	045923200106	24/6
S21327 ^{**}	16.5A19LED/927/GU24/120V	16.5	120	A19	GU24	FR	2700K	1600	90	4.53	2.36	25K	045923213274	24/6
S21328 ^{**}	16.5A19LED/930/GU24/120V	16.5	120	A19	GU24	FR	3000K	1600	90	4.53	2.36	25K	045923213281	24/6
S28488 ^{**}	16.5A19LED/940/GU24/120V	16.5	120	A19	GU24	FR	4000K	1600	90	4.53	2.36	25K	045923284885	24/6
Non-Dimmable														
S28785	15.5A19/LED/27K/ND/120V	15.5	120	A19	E26	FR	2700K	1600	80	4.65	2.36	15K	045923287855	24/6
S28786	15.5A19/LED/30K/ND/120V	15.5	120	A19	E26	FR	3000K	1600	80	4.65	2.36	15K	045923287862	24/6
S28787	15.5A19/LED/40K/ND/120V	15.5	120	A19	E26	FR	4000K	1600	80	4.65	2.36	15K	045923287879	24/6
S28788	15.5A19/LED/50K/ND/120V	15.5	120	A19	E26	FR	5000K	1600	80	4.65	2.36	15K	045923287886	24/6

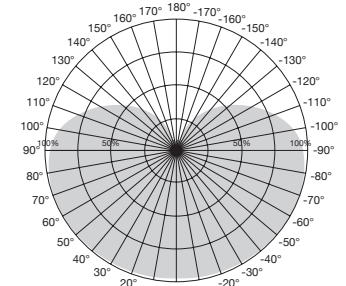
[†]For minimum compartment size of enclosed fixture visit www.satco.com

Product sheet SA2255

100W REPLACEMENT LED A19 4-PACKS

Features:

- Direct replacements for 100 watt incandescent lamps uses only 15.5 watts
- Indoor residential and commercial lighting
- Direct replacement for 13, 18 & 23W screw-in CFLs
- 2700K to 5000K options
- Damp location
- Approved for totally enclosed fixtures[^]
- Long life—up to 15,000 hours
- 3 year warranty



Beam Angle: 220°-230°

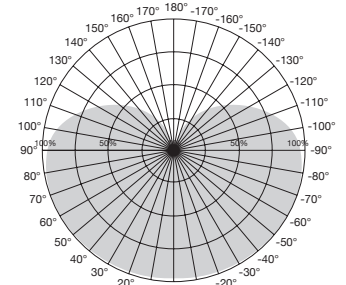


Item	Description	W	V	Bulb Shape	Base	Finish	CCT	Lm	CRI	MOL (in.)	MOD (in.)	Life (hrs.)	UPC	Pack
100W Replacement - Dimmable														
S11422*	14.5A19/LED/827/120V/D/4PK	14	120	A19	E26	FR	2700K	1600	80	4.57	2.38	15K	045923114229	12-4pks
S11423*	14.5A19/LED/830/120V/D/4PK	14	120	A19	E26	FR	3000K	1600	80	4.57	2.38	15K	045923114236	12-4pks
S11424*	14.5A19/LED/840/120V/D/4PK	14	120	A19	E26	FR	4000K	1600	80	4.57	2.38	15K	045923114243	12-4pks
S11425*	14.5A19/LED/850/120V/D/4PK	14	120	A19	E26	FR	5000K	1600	80	4.57	2.38	15K	045923114250	12-4pks
Non-Dimmable														
S28789	15.5A19/LED/27K/ND/120V/4PK	15.5	120	A19	E26	FR	2700K	1600	80	4.65	2.36	15K	045923287893	12-4pks
S28790	15.5A19/LED/50K/ND/120V/4PK	15.5	120	A19	E26	FR	5000K	1600	80	4.65	2.36	15K	045923287909	12-4pks
90 CRI—CEC/T20 - Non-Dimmable[^]														
S8566*	15.5A19/LED/27K/ND/120V/4PK	15.5	120	A19	E26	FR	2700K	1490	90	4.63	2.38	15K	045923085666	12-4pks
S8567*	15.5A19/LED/30K/ND/120V/4PK	15.5	120	A19	E26	FR	3000K	1490	90	4.63	2.38	15K	045923085673	12-4pks
S8490*	15.5A19/LED/40K/ND/120V/4PK	15.5	120	A19	E26	FR	4000K	1490	90	4.63	2.38	15K	045923084904	12-4pks
S8568*	15.5A19/LED/50K/ND/120V/4PK	15.5	120	A19	E26	FR	5000K	1490	90	4.63	2.38	15K	045923085680	12-4pks

Must be ordered in full cases only. *See warranty for details at www.satco.com

Product sheets SA2330, SA2400, SA2180-3

100W REPLACEMENT LED A19 10-PACKS



Beam Angle: 220°

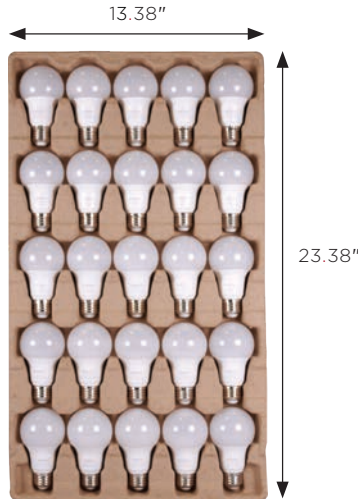


Item	Description	W	V	Bulb Shape	Base	Finish	CCT	Lm	CRI	MOL (in.)	MOD (in.)	Life (hrs.)	UPC	Pack
Non-Dimmable														
S11418	14A19/LED/E26/830/120V/10PK	14	120	A19	E26	14	3000K	1520	80	4.57	2.36	10K	045923114182	4-10pks
S11419	14A19/LED/E26/850/120V/10PK	14	120	A19	E26	14	5000K	1520	80	4.57	2.36	10K	045923114199	4-10pks

Sold per 10 pack. *See warranty for details at www.satco.com

Product sheet SA2624

LED A19 100 PIECE CONTRACTOR PACK



4 Trays per Master Carton



100W Replacement

Item	Description	W	V	Bulb Shape	Base	Finish	CCT	Lm	CRI	Beam Angle	Life (hrs.)	UPC	Pack
S11447	14A19/LED/E26/827/120V/100PK	14	120	A19	Medium	FR	2700	1520	80	220°	10,000	045923114472	100
S11448	14A19/LED/E26/840/120V/100PK	14	120	A19	Medium	FR	4000	1520	80	220°	10,000	045923114489	100

LED A19 LAMP 8-PACK FLOOR & COUNTER DISPLAY!

LED 100 Watt Replacement

14 Watt LED A19

1500 Lumens

Non-Dimmable

Item #	Description	Watt	Replaces	CCT	Lm	Pack
D2106	A19 Display/8 pack	14	100W	2700	1500	36-8pks
D2107	A19 Display/8 pack	14	100W	5000	1500	36-8pks

*Sold per display only

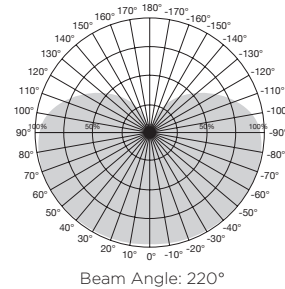


Product sheet SA2884

3-WAY LED A19 & A21 LAMPS

Features:

- Direct replacement for 30/70/100W 3-Way incandescent lamps, uses only 3/9/12 watts
- Direct replacement for 50/100/150W 3-Way incandescent lamps uses only 5/14/21 watts
- Indoor residential & commercial lighting
- 220° omni-directional
- 2700K, 3000K, 4000K and 5000K options
- Damp location rated
- Approved for totally enclosed fixtures ^
- Long life—25,000 hours
- 5 year warranty



Item	Description	W	V	Bulb Shape	Base	Finish	CCT	Lm	CRI	MOL (in.)	MOD (in.)	Life (hrs.)	UPC	Pack
30/70/100W 3-Way														
S9316	3/9/12A19/3WAY LED/2700K/120V	3/9/12	120	A19	E26	FR	2700K	280/950/1200	80	4.66	2.36	25K	045923093166	24/6
S9317	3/9/12A19/3WAY LED/3000K/120V	3/9/12	120	A19	E26	FR	3000K	280/950/1200	80	4.65	2.36	25K	045923093173	24/6
S9318	3/9/12A19/3WAY LED/4000K/120V	3/9/12	120	A19	E26	FR	4000K	280/950/1200	80	4.65	2.36	25K	045923093180	24/6
S9319	3/9/12A19/3WAY LED/5000K/120V	3/9/12	120	A19	E26	FR	5000K	280/950/1200	80	4.65	2.36	25K	045923093197	24/6
90 CRI—CEC/T20A														
S8570	3/9/12A19/3WAY LED/2700K/90CRI	3/9/12	120	A19	E26	FR	2700K	230/850/1050	90	4.66	2.38	25K	045923085703	24/6
S8571	3/9/12A19/3WAY LED/3000K/90CRI	3/9/12	120	A19	E26	FR	3000K	230/850/1050	90	4.65	2.36	25K	045923085710	24/6
50/100/150W 3-Way														
S11515	5/14/20A21/3-WAY/LED/27K	5/14/20	120	A21	E26d	FR	2700K	600L/1600L/2150L	90	5.551	2.638	25K	045923115158	24/6
S11516	5/14/20A21/3-WAY/LED/30K	5/14/20	120	A21	E26d	FR	3000K	600L/1600L/2150L	90	5.551	2.638	25K	045923115165	24/6
S11517	5/14/20A21/3-WAY/LED/40K	5/14/20	120	A21	E26d	FR	4000K	600L/1600L/2150L	90	5.551	2.638	25K	045923115172	24/6
S11518	5/14/20A21/3-WAY/LED/50K	5/14/20	120	A21	E26d	FR	5000K	600L/1600L/2150L	90	5.551	2.638	25K	045923115189	24/6

*For minimum compartment size of enclosed fixture visit www.satco.com

Product sheet SNI710

LED A19 3-WAY MOGUL LAMP

Features:

- Input voltage, frequency: 120V
- Efficacy: up to 131 LPW
- CRI: 80
- Functional life (L70): 25,000 hours
- Location rating: damp
- Ambient operating temperature: -25°C (-13°F) to +45°C (+113°F)
- Base: E39Ds



Item	Description	W	V	Bulb Shape	Base	Finish	CCT	Lm	CRI	MOL (in.)	MOD (in.)	Life (hrs.)	UPC	Pack
Replaces 100/200/300W Incandescent														
S11490R1	10/22/33PS25/3WAY/LED/827/E39D	10W/22W/33W	120	PS25	E39d	WH	2700K	1300L/2900L/4000L	80	6.61	3.11	25K	045923711978	12/6
S11491R1	10/22/33PS25/3WAY/LED/830/E39D	10W/22W/33W	120	PS25	E39d	WH	3000K	1300L/2900L/4100L	80	6.61	3.11	25K	045923711985	12/6
S11492R1	10/22/33PS25/3WAY/LED/840/E39D	10W/22W/33W	120	PS25	E39d	WH	4000K	1300L/2900L/4100L	80	6.61	3.11	25K	045923711992	12/6
S11493R1	10/22/33PS25/3WAY/LED/850/E39D	10W/22W/33W	120	PS25	E39d	WH	5000K	1300L/2900L/4100L	80	6.61	3.11	25K	045923712005	12/6

Specifications are subject to change without prior notice. Replacement wattage shown depends on application and fixture.

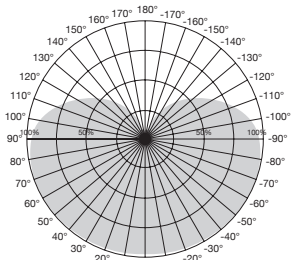
Product sheet SNI677

125W REPLACEMENT 120-277V LED A21 LAMPS



Features:

- Direct replacement for 125 watt incandescent & 25 watt CFL lamps, uses only 20 watts
- Indoor residential and commercial lighting
- Down lighting
- CEC/T20 compliant
- 2700K, 3000K, 4000K and 5000K options
- Damp location
- Approved for totally enclosed fixtures ^
- c-UL-us listed long life—25,000 hours
- 5 year warranty



Beam Angle: 220°



Item	Description	W	V	Bulb Shape	Base	Finish	CCT	Lm	CRI	MOL (in.)	MOD (in.)	Life (hrs.)	UPC	Pack
Non-Dimmable														
S11329	20A21/LED/927/120-277V/ND	20	120V-277	A21	E26	FR	2700K	2000	90	5.55	2.63	25K	045923113291	24/6
S11330	20A21/LED/930/120-277V/ND	20	120V-277	A21	E26	FR	3000K	2000	90	5.55	2.63	25K	045923113307	24/6
S11331	20A21/LED/940/120-277V/ND	20	120V-277	A21	E26	FR	4000K	2000	90	5.55	2.63	25K	045923113314	24/6
S11332	20A21/LED/950/120-277V/ND	20	120V-277	A21	E26	FR	5000K	2000	90	5.55	2.63	25K	045923113321	24/6

^For minimum compartment size of enclosed fixture visit www.satco.com

Product sheet SA2696

300W A25 REPLACEMENT NON-DIMMABLE

Features:

- 300 watt Incandescent
- Replacement Uses Only 30 watts
- Improved lumens per watt
- Damp location
- 15,000 life hours
- 3 year warranty



Item	Description	W	V	Base Type	Lumens	CRI	Life/Hrs.	MOL (in.)	UPC	Pack
S11465	30A25/LED/830/120V/ND	30	120V	E26	3750	80	15,000	7.32	045923114656	24/12
S11466	30A25/LED/840/120V/ND	30	120V	E26	3750	80	15,000	7.32	045923114663	24/12
S11467	30A25/LED/850/120V/ND	30	120V	E26	3750	80	15,000	7.32	045923114670	24/12

300W PS30 REPLACEMENT DIMMABLE

Features:

- Replaces up to 300W incandescent
- Improved lumens per watt—higher efficiency
- LED filament and glass envelope construction
- Dimmable
- Damp location
- 3 year warranty



S11480, S11481, S11482

S11483, S11484, S11485



Item	Description	W	V	Base Type	Lumens	CRI	MOL (in.)	UPC	Pack
300W Replacement									
S11480	36PS30/LED/827/120V/DIM/E26	36	120V	E26	4500	80	7.32	045923114809	24/12
S11481	36PS30/LED/840/120V/DIM/E26	36	120V	E26	4500	80	7.32	045923114816	24/12
S11482	36PS30/LED/850/120V/DIM/E26	36	120V	E26	4500	80	7.32	045923114823	24/12
S11483	36PS30/LED/827/120V/DIM/E39	36	120V	E39	4500	80	7.91	045923114830	24/12
S11484	36PS30/LED/840/120V/DIM/E39	36	120V	E39	4500	80	7.91	045923114847	24/12
S11485	36PS30/LED/850/120V/DIM/E39	36	120V	E39	4500	80	7.91	045923114854	24/12

Product sheet SA2930

HI-PRO A21 LAMPS



Features:

- CCT selectable
- Range voltage 120-277
- Ballast bypass Type B
- Integrated fins for excellent heat dissipation



HI-PRO A21 LAMPS



Choose from
2700K/4000K/5000K
color temperatures



ColorQuick[®]
Selectable Color Technology



Item	Description	W	V	Bulb Shape	Base	Finish	CCT	Lm	CRI	MOL (in.)	MOD (in.)	Life (hrs.)	UPC	Pack
S28735*	15WA21/LED/3CCT/120-277V	15	120-277	A21	E26	WH	2700K/4000K/5000K	1920/2025/1950	90	5.08	2.46	50K	045923287350	24/12
S28737	20WA21/LED/3CCT/120-277V	20	120-277	A21	E26	WH	2700K/4000K/5000K	2760/3020/2860	80	5.08	2.46	50K	045923287374	24/12

Product sheet SN1582

CCT AND WATTAGE SELECTABLE HI-PRO LED A-PLUS LAMPS

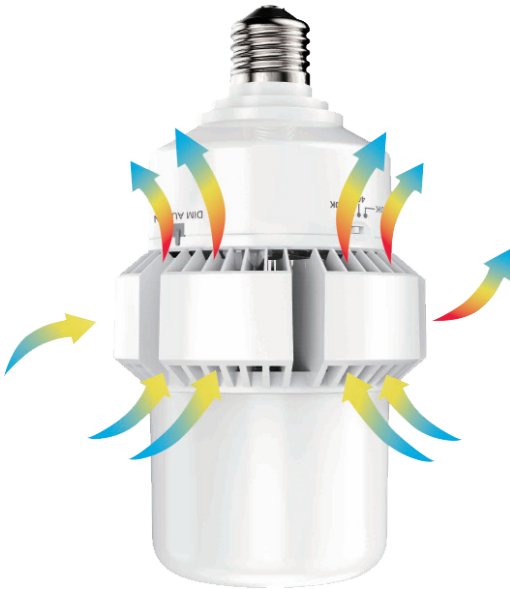


Features:

- 3000K, 4000K, 5000K selectable
- Wattage selectable / high & low
- 135 lumens per watt
- Reduced envelope size
- Enclosed fixture rated*
- Damp location
- Built in surge protection
- 50,000 hours



FIELD SELECTABLE HI-PRO LED A-PLUS LAMPS



Advanced heat sink design ensures long lifespan, less maintenance.



ColorQuick™
Selectable Color Technology

Color temperature selection switch
4000K
3000K —|— 5000K
Color Temperature

Switch to/from the following CCT



PowerQuick™
Wattage Selectable
Wattage selection switch

High ————— Low



Item	Description	W	V	Base Type	CCT Selectable	Lumens @ 5K	Lumens @ 50% Pwr	CRI	Life/ Hrs.	M.O.L. (In.)	UPC	Pack
S13160	20W/AP23/LED/CCT/100-277V/E26	20	100-277	E26	3000/4000/5000	2600	N/A	80	50K	5.12	045923131608	24
S13161	25W/AP23/LED/CCT/100-277V/E26	25	100-277	E26	3000/4000/5000	3250	N/A	80	50K	5.12	045923131615	24
S13162	35W/AP28/LED/CCT/100-277V/E26	35/17	100-277	E26	3000/4000/5000	4550	2380	80	50K	6.26	045923131622	12
S13163**	35W/AP28/LED/CCT/100-277V/EX39	35/17	100-277	EX39	3000/4000/5000	4550	2380	80	50K	6.54	045923131639	12
S13164	45W/AP32/LED/CCT/100-277V/E26	45/22	100-277	E26	3000/4000/5000	5850	3060	80	50K	7.05	045923131646	12
S13165**	45W/AP32/LED/CCT/100-277V/EX39	45/22	100-277	EX39	3000/4000/5000	5850	3060	80	50K	7.32	045923131653	12
S13166	65W/AP37/LED/CCT/100-277V/E26	65/32	100-277	E26	3000/4000/5000	8450	4420	80	50K	7.76	045923131660	12
S13167**	65W/AP37/LED/CCT/100-277V/EX39	65/32	100-277	EX39	3000/4000/5000	8450	4420	80	50K	8.03	045923131677	12

*For minimum compartment size of enclosed fixture visit www.satco.com

Product sheet SA2878

LED T10 HIGH LUMEN LAMPS

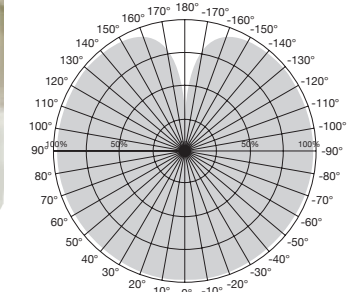


Features:

- High lumen output
- Generates less heat than halogen
- 3000 & 4000K
- c-ETL-us Listed
- 3 year warranty

Applications

- Replaces halogen T10 double envelope
- Picture lights
- Sconces
- Showcase displays
- Ceiling fixtures



Beam Angle: 360°



Item	Description	W	V	Bulb Shape	Base	Finish	CCT	Lm	CRI	MOL (in.)	MOD (in.)	Life (hrs.)	UPC	Pack
60 Watt Replacement														
Dimmable														
S11224+	8T10/LED/HL/930/FR/DIM/CD	8	120	T10	E26	FR	3000K	860	90	4.02	1.26	15K	045923112249	24/12
S11225+	8T10/LED/HL/940/FR/DIM/CD	8	120	T10	E26	FR	4000K	900	90	4.02	1.26	15K	045923112256	24/12
Non-Dimmable														
S11218	8T10/LED/HL/30K/FR/ND/CD	8	120	T10	E26	FR	3000K	1020	80	4.02	1.26	15K	045923112188	24/12
S11219	8T10/LED/HL/40K/FR/ND/CD	8	120	T10	E26	FR	4000K	1080	80	4.02	1.26	15K	045923112195	24/12

Not for use in wet or damp locations.

Product sheet SA2734

DECORATIVE LED LAMPS

Features:

- 25W candle replacement uses only 2.8W
- 40W candle replacement uses only up to 4.5W
- Dimmable
- Damp location
- Long life—25,000 hours
- Approved for totally enclosed fixtures[†]
- 5 Year warranty

Applications:

- Accent lighting
- Pendant lighting



CTC



ETC



G25



Item	Description	W	V	Bulb Shape	Base	Finish	CCT	Lm	CRI	Beam	MOL (in.)	MOD (in.)	Life (hrs.)	UPC	Pack
Decorative - B11															
S8950	2.8CTC/LED/3000K/165L/120V/CD	2.8	120	B11	E12	CL	3000K	160	80	275°	3.78	1.38	25K	045923089503	12/CDs
S8951	4.5CTC/LED/2700K/E12/120V/CD	4.5	120	B11	E12	CL	2700K	300	80	275°	3.78	1.38	25K	045923089510	12/CDs
S8952	4.5CTC/LED/3000K/E12/120V/CD	4.5	120	B11	E12	CL	3000K	300	80	275°	3.78	1.38	25K	045923089527	12/CDs
S8953	4.5ETC/LED/3000K/E26/120V/CD	4.5	120	B11	E26	CL	3000K	300	80	275°	3.78	1.38	25K	045923089534	12/CDs
90 CRI—CEC/T20															
S29618**	3.5CTC/LED/927/E12/120V	3.5	120	B11	E12	CL	2700K	300	90	275°	3.78	1.38	25K	045923296185	48/12
S28574**	3.5CTC/LED/930/E12/120V	3.5	120	B11	E12	CL	3000K	300	90	275°	3.78	1.38	25K	045923285745	48/12
S28617**	3.5ETC/LED/927/E26/120V	3.5	120	B11	E26	CL	2700K	300	90	290°	3.78	1.38	25K	045923286179	48/12
S28575**	3.5ETC/LED/930/E26/120V	3.5	120	B11	E26	CL	3000K	300	90	275°	3.78	1.38	25K	045923285752	48/12
GLOBES - G25															
S9200	6G25/LED/2700K/450L/120/D	6	120	G25	E26	WH	2700K	450	80	175°	4.25	3.15	25K	045923092008	24/6
S9201	6G25/LED/3000K/450L/120/D	6	120	G25	E26	WH	3000K	450	80	175°	4.25	3.15	25K	045923092015	24/6
S9202	6G25/LED/4000K/450L/120/D	6	120	G25	E26	WH	4000K	450	80	175°	4.25	3.15	25K	045923092022	24/6
S9203	6G25/LED/5000K/450L/120/D	6	120	G25	E26	WH	5000K	450	80	175°	4.25	3.15	25K	045923092039	24/6
90 CRI—CEC/T20															
S29619**	4G25/LED/927/120V	4	120	G25	E26	WH	2700K	360	90	170°	4.25	3.15	25K	045923296192	24/6
S28576*	4G25/LED/930/120V	4	120	G25	E26	WH	3000K	360	90	170°	4.25	3.15	25K	045923285769	24/6
S28618**	4G25/LED/940/120V	4	120	G25	E26	WH	4000K	360	90	170°	4.25	3.15	25K	045923286186	24/6
S28595*	4G25/LED/950/120V	4	120	G25	E26	WH	5000K	360	90	170°	4.25	3.15	25K	045923285950	24/6

*For minimum compartment size of enclosed fixture visit www.satco.com

Product sheet SA1370

LED APPLIANCE LAMPS



Features:

- Available with E26 or E27 base
- Outstanding color rendering
- Ideal for use in refrigerators



LED APPLIANCE LAMPS



E26 & E27 BASES



Item	Description	W	V	Bulb Shape	Base	Finish	CCT	Lm	CRI	Beam	MOL (in.)	MOD (in.)	Life (hrs.)	UPC	Pack
S11200	3.5T14/CL/930/120-240V/E26/CD	3.5	120-240	T14	E26	CL	3000K	420	90+	360°	2.36	1.06	25K	045923100680	48/12
S11201	3.5T14/CL/930/120-240V/E27/CD	3.5	120-240	T14	E27	CL	3000K	420	90+	360°	2.48	1.06	25K	045923100697	48/12

Product sheet SN1755

LED 2W-2.5W FLAME LAMPS DECORATIVE FLAME EFFECT



Features:

- Realistic flame mode effect in base up or base down position
- Continuous light mode capable
- Safe alternative to open flames

Applications:

- Indoor
- Covered Outdoors
- Restaurants, Hotels, Bars,
- Places of Worship,
- Patios, Garden

S29807



S29806



Watch to Learn More!



Item	Description	W	V	Bulb Shape	Base	CCT	Lumens	MOL (in.)	MOD (in.)	Life/Hrs.	UPC	Pack
S29806	2.5/LED/T19/FLAME/816/120V/E26	2.5W	120V	T19	E26	1600K	150L	4.9	2.24	10,000	045923298066	24
S29807	2/LED/B11/FLAME/814/120V/E12	2W	120V	B11	E12	1400K	60L	4.5	1.4	10,000	045923298073	24

Product sheet SA2470

FULL SPECTRUM LED GROW LIGHTS

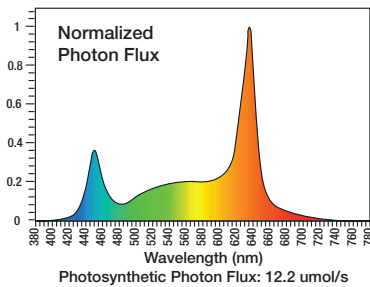


Features:

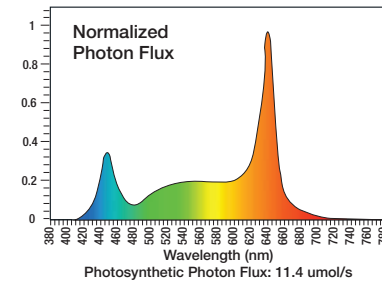
- Standard A19, BR30 AND PAR38 lamp shapes with E26 base
- Red spectrum fortified for increased budding and flowering
- Wet location rated
- 3 year warranty



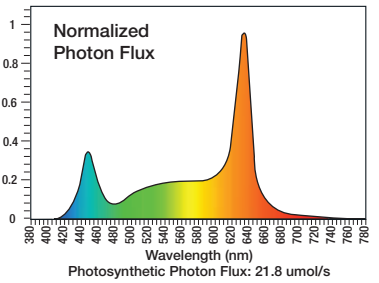
LED 9W A19 GROW LIGHT



LED 9W BR30 GROW LIGHT



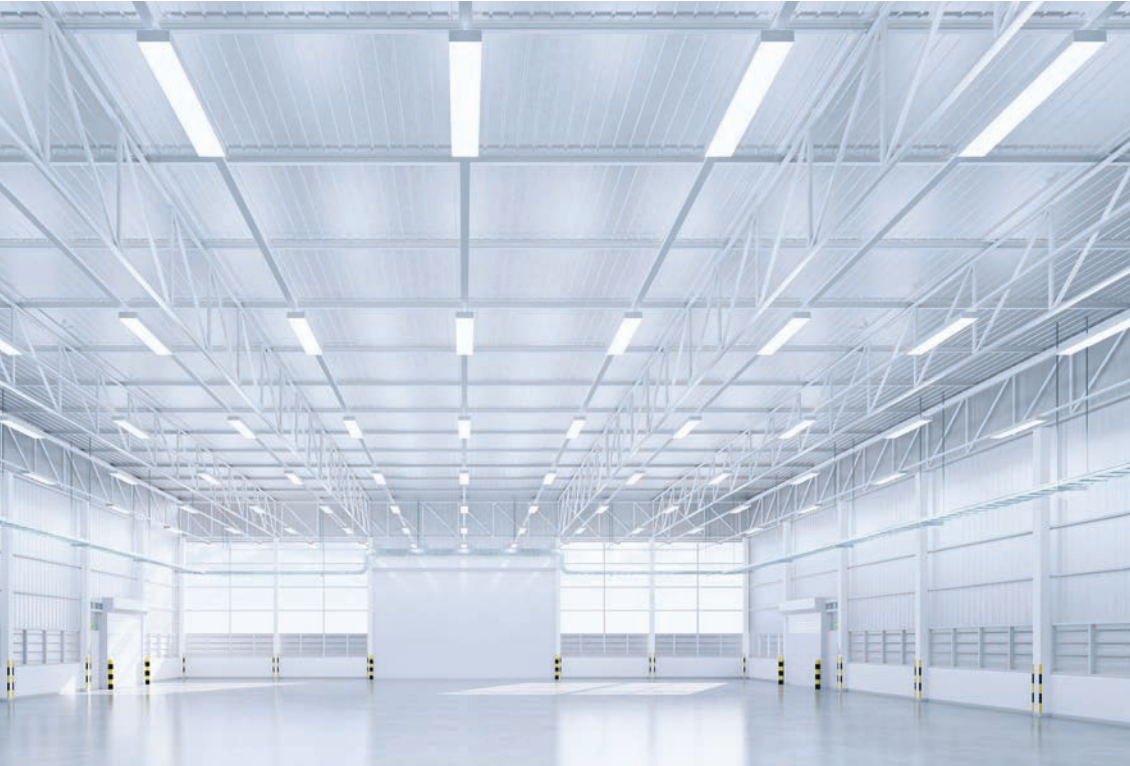
LED 16W PAR38 GROW LIGHT



Item	Description	W	V	Bulb Shape	Base	CRI	MOL (in.)	MOD (in.)	Life (hrs.)	UPC	Pack
S11440	9A19/LED/GROW/120V	9	120	A19	E26	80	4.41	2.36	15K	045923114403	48/12
S11441	9BR30/LED/GROW/120V	9	120	BR30	E26	80	5.12	3.70	25K	045923114410	12
S11442	16PAR38/LED/GROW/120V	16	120	PAR38	E26	80	5.00	4.72	25K	045923114427	12

Product sheet SA2470

LED LINEAR T10 LAMPS



Features:

Energy efficient alternative to traditional 35W, 60W and 150W T10 linear incandescent lamps use only 5W, 7W and 13W

Direct replacements for LN35, LN60 and LN150 lamps

Full PC material (bulb opaque)

Simple installation—no ballasts or transformers required

S14S base

Dimmable

2700K

Long life—30,000 hours

5 year warranty



Item	Description	W	V	Bulb Shape	Base	Finish	CCT	Lm	CRI	MOL (in.)	MOD (in.)	Life (hrs.)	UPC	Pack
S8191	LED LN35 2700K 11.8" DIM	5	120	T10	S14S	FR	2700K	330	80	11.81	1.25	30K	045923081910	12
S8189	LED LN60 2700K 19.68" DIM	7	120	T10	S14S	FR	2700K	500	80	19.69	1.25	30K	045923081897	12
S8190	LED LN150 2700K 39.37 DIM	13	120	T10	S14S	FR	2700K	1000	80	39.37	1.25	30K	045923081903	12

Product sheet SA2427

LED GU24 SQUAT LAMP

Features:

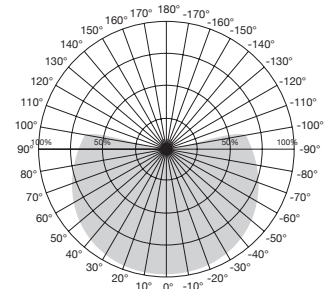
- Direct replacement for squat GU24-based CFL lamps
- 13 Watt CFL replacement uses only 9.5 watts (60W incandescent)
- 18 watt CFL replacement uses only 12 watts (75W incandescent)
- GU24 base
- Uniform luminance pattern
- 2700K and 4000K options
- 90 CRI
- Approved for totally enclosed fixtures ^
- Damp location
- Long life—25,000 hours
- 5 year warranty

Applications:

- Indoor residential and commercial lighting
- Utility fixtures
- Closet lighting



Replacement for CFL in Satco squat fixtures: 90-2615, 90-2616, 90-2631, 90-2632



Beam Angle: 100°



Item	Description	W	V	Bulb Shape	Base	Finish	CCT	Lm	CRI	MOL (in.)	MOD (in.)	Life (hrs.)	UPC	Pack
S11540	9.5W/SQUAT/LED/27K/GU24	9.5	120	T3	GU24	FR	2700K	800	90	2.84	2.76	25K	045923115400	24/6
S11541	9.5W/SQUAT/LED/40K/GU24	9.5	120	T3	GU24	FR	4000K	800	90	2.84	2.76	25K	045923015410	24/6
S11542	12W/SQUAT/LED/27K/GU24	12	120	T3	GU24	FR	2700K	1100	90	2.84	2.76	25K	045923115424	24/6
S11543	12W/SQUAT/LED/40K/GU24	12	120	T3	GU24	FR	4000K	1100	90	2.84	2.76	25K	045923115431	24/6

Average rated life may vary depending on application, use, fixture type and environment. ^See warranty for details at www.satco.com

Product sheet SA2614

CCT SELECTABLE LED REFLECTOR LAMPS DIM TO WARM



Features:

- Dim to warm feature from 3000K
Down to 2000K
- 5-CCT selectable
- 90 CRI high quality light
- R20, BR30, & BR40 models
- Suitable for use in enclosed fixtures



CCT SELECTABLE LED REFLECTOR LAMPS DIM TO WARM



ColorQuick[®]
Selectable Color Technology



Item	Description	W	V	Bulb Shape	Base	Finish	CCT	Lm	CRI	MOL (in.)	MOD (in.)	Life (hrs.)	UPC	Pack
S11782	5.8R20/LED/5CCT/WD/120V	5.8	120	R20	E26	WH	2700K/3000K/3500K/4000K/5000K	525	90	3.86	2.48	25K	045923117824	48/12
S11783	7BR30/LED/5CCT/WD/120V	7	120	BR30	E26	WH	2700K/3000K/3500K/4000K/5000K	650	90	5.04	3.74	25K	045923117831	48/12
S11784	8.5BR30/LED/5CCT/WD/120V	8.5	120	BR30	E26	WH	2700K/3000K/3500K/4000K/5000K	850	90	5.04	3.74	25K	045923117848	48/12
S11785	11BR40/LED/5CCT/WD/120V	11	120	BR40	E26	WH	2700K/3000K/3500K/4000K/5000K	1080	90	6.3	5.00	25K	045923117855	48/6

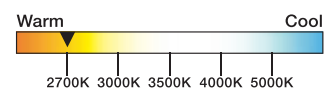
Product sheet SN1674

LED BR LAMPS CCT SELECTABLE



Features:

- CCT selectable
2700K/3000K/3500K/4000K/5000K
- Broad 120° beam angle for maximum coverage of the illuminated area
- 90 CRI for exceptional color rendering



LED BR LAMPS CCT SELECTABLE



BR30

BR40



Item	Description	W	Lm	V	Input Current	CCT	UPC	Pack
BR30								
S11778	8.5BR30/LED/5CCT/E26/120V	8.5	700	120	0.0708A	2700K/3000K/3500K/4000K/5000K	045923117787	24/6
S11780	8.5BR30/LED/5CCT/E26/120V/6PK	8.5	700	120	0.0708A	2700K/3000K/3500K/4000K/5000K	045923117800	4/6
BR40								
S11779	13BR40/LED/5CCT/E26/120V	13	1075	120	0.108A	2700K/3000K/3500K/4000K/5000K	045923117794	12/6
S11781	13BR40/LED/5CCT/E26/120V/4PK	13	1075	120	0.108A	2700K/3000K/3500K/4000K/5000K	045923117817	4/4

Product sheet SA2998

R20, BR30 & BR40 LED REFLECTORS



R20 Features:

- 50R20 replacement uses only up to 6.5 watts
- Indoor residential and commercial lighting
- Dimmable
- Damp location
- Long life—25,000 hours
- 5 year warranty
- CEC T20/T24

BR30 Features:

- 65BR30 replacement uses only up to 9.5 watts
- Indoor residential and commercial lighting
- Display lighting
- New one piece, lighter weight design
- Dimmable
- Long life—25,000 hours
- 5 year warranty
- CEC T20/T24



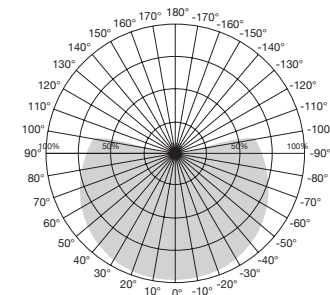
R20 LED REFLECTORS 80 & 90 CRI



Item	Description	W	V	Bulb Shape	Base	Housing Finish	CCT	Lm	CRI	Beam	MOL (in.)	MOD (in.)	Life (hrs.)	UPC	Pack
S9630	6.5R20/LED/2700K/525L/120V	6.5	120	R20	E26	GRAY	2700K	525	80	107°	3.94	2.50	25K	045923096303	24/6
S9631	6.5R20/LED/3000K/525L/120V	6.5	120	R20	E26	GRAY	3000K	525	80	107°	3.94	2.50	25K	045923096310	24/6
S9632	6.5R20/LED/4000K/525L/120V	6.5	120	R20	E26	GRAY	4000K	525	80	107°	3.94	2.50	25K	045923096327	24/6
S9633	6.5R20/LED/5000K/525L/120V	6.5	120	R20	E26	GRAY	5000K	525	80	107°	3.94	2.50	25K	045923096334	24/6
90 CRI—CEC/T20A															
S29614**	6R20/LED/927/120V	6	120	R20	E26	GRAY	2700K	525	90	107°	3.94	2.50	25K	045923296147	24/6
S28577**	6R20/LED/930/120V	6	120	R20	E26	GRAY	3000K	525	90	107°	3.94	2.50	25K	045923285776	24/6
S28491**	6R20/LED/940/120V	6	120	R20	E26	GRAY	4000K	525	90	107°	3.94	2.50	25K	045923284915	24/6
S28619	6R20/LED/950/120V	6	120	R20	E26	GRAY	5000K	525	90	107°	3.94	2.50	25K	045923286193	24/6

Product sheet SA2629

BR30 LED REFLECTORS 80 & 90 CRI



Beam Angle: 105°



Item	Description	W	V	Bulb Shape	Base	Housing Finish	CCT	Lm	CRI	Beam	MOL (in.)	MOD (in.)	Life (hrs.)	UPC	Pack
S9620	9.5BR30/LED/2700K/750L/120V/D	9.5	120	BR30	E26	GRAY	2700K	750	80	105°	5.16	3.74	25K	045923096204	12/6
S9621	9.5BR30/LED/3000K/750L/120V/D	9.5	120	BR30	E26	GRAY	3000K	750	80	105°	5.16	3.74	25K	045923096211	12/6
S9622	9.5BR30/LED/4000K/750L/120V/D	9.5	120	BR30	E26	GRAY	4000K	750	80	105°	5.16	3.74	25K	045923096228	12/6
S9623	9.5BR30/LED/5000K/750L/120V/D	9.5	120	BR30	E26	GRAY	5000K	750	80	105°	5.16	3.74	25K	045923096235	12/6
S9624	9.5BR30/LED/27K/GU24/750L/120V	9.5	120	BR30	GU24	GRAY	2700K	750	80	105°	4.96	3.74	25K	045923096242	12/6
S9627	9.5BR30/LED/30K/GU24/750L/120V	9.5	120	BR30	GU24	GRAY	3000K	750	80	105°	4.96	3.74	25K	045923096273	12/6
90 CRI—CEC/T20A															
S29625**	7.5BR30/LED/927/120V	7.5	120	BR30	E26	GRAY	2700K	650	90	105°	5.16	3.74	25K	045923296253	12/6
S28578**	7.5BR30/LED/930/120V	7.5	120	BR30	E26	GRAY	3000K	650	90	105°	5.16	3.74	25K	045923285783	12/6
S28547**	7.5BR30/LED/935/120V	7.5	120	BR30	E26	GRAY	3500K	650	90	105°	5.16	3.74	25K	045923285479	12/6
S28492**	7.5BR30/LED/940/120V	7.5	120	BR30	E26	GRAY	4000K	650	90	105°	5.16	3.74	25K	045923284922	12/6
S28596	7.5BR30/LED/950/120V	7.5	120	BR30	E26	GRAY	5000K	650	90	105°	5.16	3.74	25K	045923285967	12/6
S11333*	7.5BR30/LED/927/120V/2PK	7.5	120	BR30	E26	GRAY	2700K	650	90	105°	5.16	3.74	25K	045923113338	12/6
S29626*	7.5BR30/LED/927/GU24/120V	7.5	120	BR30	GU24	GRAY	2700K	650	90	105°	4.96	3.74	25K	045923296260	12/6
S28579*	7.5BR30/LED/930/GU24/120V	7.5	120	BR30	GU24	GRAY	3000K	650	90	105°	4.96	3.74	25K	045923285790	12/6

Product sheet SA1784

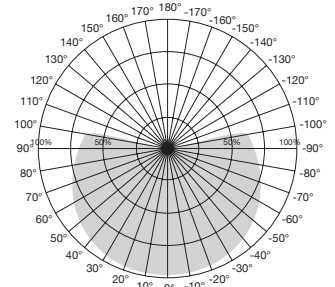
8W BR30 LED 2-PACK DISPLAY

Features:

- 65 watt replacement uses only 8 watts
- Indoor residential and commercial lighting
- Great for retail end caps or counter areas
- 2700K
- Dimmable
- Damp location
- High efficiency
- Long life—25,000 hours
- 5 year warranty



Sold 24 2-pk per display



Beam Angle: 105°



Item	Description	W	V	Bulb Shape	Base	Housing Finish	CCT	Lm	CRI	Beam	MOL (in.)	MOD (in.)	Life (hrs.)	UPC	Pack
S9698	8BR30/LED/2700K/650L/2PK	8	120	BR30	E26	GR	2700K	650	80	105°	5.16	3.74	25K	045923096983	24-2pks

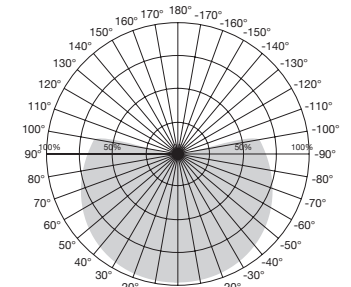
Must be ordered in full cases only.

Product sheet SA2042

10W BR30 LED REFLECTOR DISPLAY PACKS

Features:

- 65W BR30 replacement uses 10 watts
- Indoor residential and commercial lighting
- 2700K
- Dimmable
- Damp location
- Long life—25,000 hours
- 3 year warranty



Beam Angle: 100°



Item	Description	W	V	Bulb Shape	Base	Housing Finish	CCT	Lm	CRI	Beam	MOL (in.)	MOD (in.)	Life (hrs.)	UPC	Pack
S29628	10BR30/LED/2700K/700L/120V/D	10	120	BR30	E26	WH	2700K	700	80+	100°	5.13	3.75	25K	045923296284	48/6

Display Pack

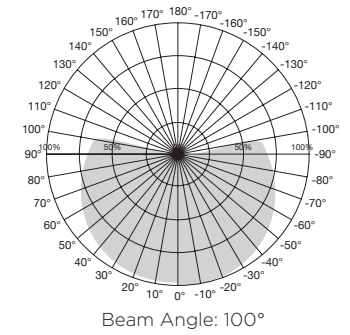
Must be ordered in full cases only.

Product sheet SA2281

8.5W BR30 LED REFLECTOR 6 PACKS



6 pack Contractor Pack



Item	Description	Lm	Watts	Bulb Type	Volts	CCT	UPC	Pack
S11470	8.5BR30/LED/827/120V	700	8.5	BR30	120	2700	045923114700	4-6pks
S11471	8.5BR30/LED/830/120V	700	8.5	BR30	120	3000	045923114717	4-6pks
S11472	8.5BR30/LED/840/120V	700	8.5	BR30	120	4000	045923114724	4-6pks
S11473	8.5BR30/LED/850/120V	700	8.5	BR30	120	5000	045923114731	4-6pks
90 CRI-CEC/T20								
S11474	8.5BR30/LED/927/120V	700	8.5	BR30	120	2700	045923114748	4-6pks

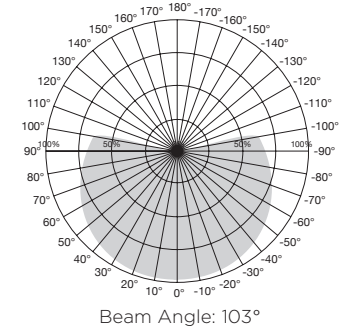
See separate warranty for complete terms and conditions. Must be ordered in full cases only.

Product sheet SA2974

11.5W, 13W & 16.5W BR40 LED REFLECTORS 80 & 90 CRI

Features:

- 65W BR40 replacement uses only up to 13 watts
- 85W BR40 replacement uses only 16.5 watts
- Indoor residential and commercial lighting
- Dimmable
- Damp location
- Long life—25,000 hours
- 5 year warranty



Item	Description	W	V	Bulb Shape	Base	Housing Finish	CCT	Lm	CRI	Beam	MOL (in.)	MOD (in.)	Life (hrs.)	UPC	Pack
S9634	11.5BR40/LED/2700K/940L/120V	11.5	120	BR40	E26	GRAY	2700K	940	80	103°	6.46	5.00	25K	045923096341	12/6
S9635	11.5BR40/LED/3000K/940L/120V	11.5	120	BR40	E26	GRAY	3000K	940	80	103°	6.46	5.00	25K	045923096358	12/6
S9636	11.5BR40/LED/4000K/940L/120V	11.5	120	BR40	E26	GRAY	4000K	940	80	103°	6.46	5.00	25K	045923096365	12/6
S9637	11.5BR40/LED/5000K/940L/120V	11.5	120	BR40	E26	GRAY	5000K	940	80	103°	6.46	5.00	25K	045923096372	12/6
S9638	16.5BR40/LED/2700K/1200L/120V	16.5	120	BR40	E26	GRAY	2700K	1200	80	103°	6.46	5.00	25K	045923096389	12/6
S9639	16.5BR40/LED/3000K/1200L/120V	16.5	120	BR40	E26	GRAY	3000K	1200	80	103°	6.46	5.00	25K	045923096396	12/6
S9640	16.5BR40/LED/4000K/1200L/120V	16.5	120	BR40	E26	GRAY	4000K	1200	80	103°	6.46	5.00	25K	045923096402	12/6
S9641	16.5BR40/LED/5000K/1200L/120V	16.5	120	BR40	E26	GRAY	5000K	1200	80	103°	6.46	5.00	25K	045923096419	12/6
90 CRI-CEC/T20															
S29615**	13BR40/LED/927/120V	13	120	BR40	E26	GRAY	2700K	1075	90+	103°	6.46	5.00	25K	045923296154	12/6
S28580**	13BR40/LED/930/120V	13	120	BR40	E26	GRAY	3000K	1075	90+	103°	6.46	5.00	25K	045923285806	12/6
S28493**	13BR40/LED/940/120V	13	120	BR40	E26	GRAY	4000K	1075	90+	103°	6.46	5.00	25K	045923284939	12/6
S28597†	13BR40/LED/950/120V	13	120	BR40	E26	GRAY	5000K	1075	90+	103°	6.46	5.00	25K	045923285974	12/6

Product sheet SA1812

LED R14 LAMPS MEDIUM BASE | INTERMEDIATE BASE



Features:

- 40W incandescent replacement lamps
- Offered with E17 and E26 bases
- Suitable for use in enclosed fixtures
- 3000K and 5000K options
- Carded packaging



LED R14 LAMPS MEDIUM BASE | INTERMEDIATE BASE



S12262



S12260



Item	Description	W	V	Bulb Shape	Base	CCT	Lm	CRI	Beam	MOL (in.)	MOD (in.)	Life (hrs.)	UPC	Pack
S12260	3.5R14/LED/930/E17/120V	3.5	120	R14	E17	3000K	300	90	110°	2.56	1.78	25K	045923122606	12
S12261*	3.5R14/LED/950/E17/120V	3.5	120	R14	E17	5000K	300	90	110°	2.56	1.78	25K	045923122613	12
S12262	3.5R14/LED/930/E26/120V	3.5	120	R14	E26	3000K	300	90	110°	2.17	1.78	25K	045923122620	12
S12263*	3.5R14/LED/950/E26/120V	3.5	120	R14	E26	5000K	300	90	110°	2.17	1.78	25K	045923122637	12

*Not T24

LED PAR LAMPS CCT SELECTABLE



Features:

- 5 CCT selectable with unique color selection dial
- Available in three beam angle options
- Rated for use in enclosed fixtures
- Wet location rated for use indoors and outdoors



ColorQuick™
Selectable Color Technology

WARM WHITE - 2700K

SOFT WHITE - 3000K

NEUTRAL WHITE - 3500K

COOL WHITE - 4000K

NATURAL LIGHT - 5000K

LED PAR LAMPS CCT SELECTABLE



PAR20



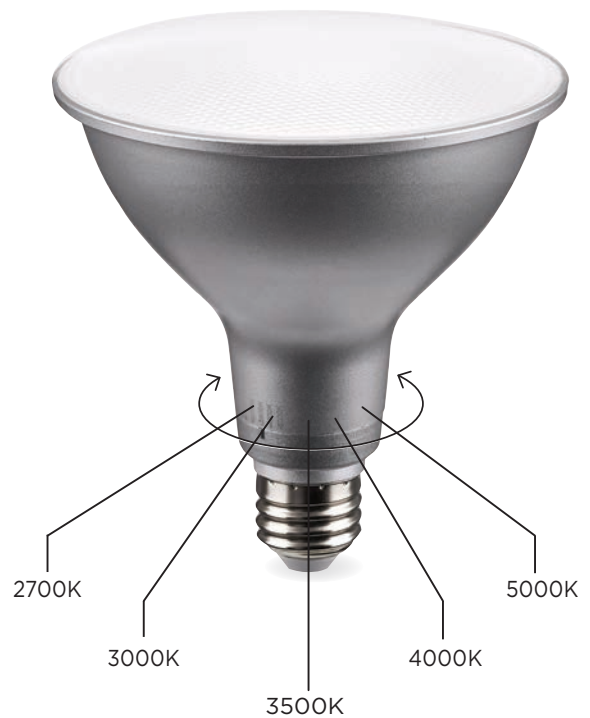
PAR30/SN



PAR30/LN



PAR38/38



Item	Description	W	V	Lm	Input Current	Beam Angle	CBCP (cd)	UPC	Pack
PAR20 - Replaces 50 PAR20									
S11580	5.5PAR20/LED/5CCT/SP/120V	5.5	120	500	0.078A	25°	1,255	045923115806	24/6
S11581	5.5PAR20/LED/5CCT/FL/120V	5.5	120	500	0.078A	40°	884	045923115813	24/6
PAR30/SN - Replaces 75 PAR30 (Short)									
S11582	11PAR30SN/LED/5CCT/SP/120V	11	120	1000	0.117A	25°	2,910	045923115820	12/6
S11583	11PAR30SN/LED/5CCT/FL/120V	11	120	1000	0.117A	40°	1,315	045923115837	12/6
S11584	11PAR30SN/LED/5CCT/WFL/120V	11	120	1000	0.117A	60°	834	045923115844	12/6
PAR30/LN - Replaces 75 PAR30 (Long)									
S11585	11PAR30LN/LED/5CCT/SP/120V	11	120	1000	0.117A	25°	2,910	045923115851	12/6
S11586	11PAR30LN/LED/5CCT/FL/120V	11	120	1000	0.117A	40°	1,315	045923115868	12/6
S11587	11PAR30LN/LED/5CCT/WFL/120V	11	120	1000	0.117A	60°	834	045923115875	12/6
PAR38 - Replaces 90 PAR38									
S11588	13.3PAR38/LED/5CCT/SP/120V	13.3	120	1200	0.180A	25°	3,700	045923115882	12/6
S11589	13.3PAR38/LED/5CCT/FL/120V	13.3	120	1200	0.180A	40°	2,160	045923115899	12/6
S11590	13.3PAR38/LED/5CCT/WFL/120V	13.3	120	1200	0.180A	60°	1,000	045923115905	12/6
PAR38 - Replaces 120 PAR38									
S11591	15.5PAR38/LED/5CCT/FL/120V	15.5	120	1400	0.208A	40°	1,758	045923115912	12/6

Product sheet SA2723

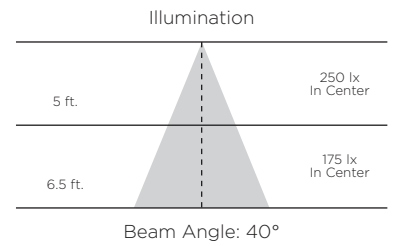
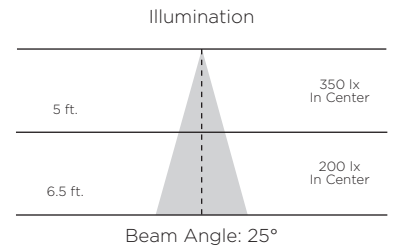
SILVER PAR SERIES



Features:

- Silver colored reflector
- Traditional lens
- Indoor/outdoor/wet location
- Dimmable
- 25°, 40° and 60° beam spreads
- 2700K, 3000K, 3500K, 4000K and 5000K
- 90 CRI

SILVER PAR SERIES PAR 20 LAMPS



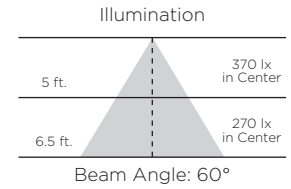
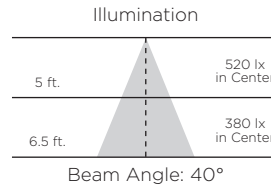
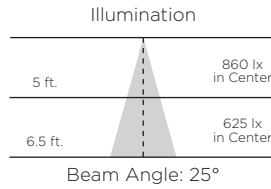
Item	Description	W	V	Bulb Shape	Base	Housing Finish	CCT	Lm	CRI	MOL (in.)	MOD (in.)	Life (hrs.)	UPC	Pack
PAR20 6.5W LED - 50W Replacement														
S29400	6.5PAR20/LED/25'/927/120V	6.5	120	PAR20	E26	SLVR	2700K	520	90	25°	2.99	2.44	25K	045923294006 24/6
S29401	6.5PAR20/LED/25'/930/120V	6.5	120	PAR20	E26	SLVR	3000K	520	90	25°	2.99	2.44	25K	045923294013 24/6
S29402	6.5PAR20/LED/25'/935/120V	6.5	120	PAR20	E26	SLVR	3500K	520	90	25°	2.99	2.44	25K	045923294020 24/6
S29403	6.5PAR20/LED/25'/940/120V	6.5	120	PAR20	E26	SLVR	4000K	520	90	25°	2.99	2.44	25K	045923294037 24/6
S29404*	6.5PAR20/LED/25'/950/120V	6.5	120	PAR20	E26	SLVR	5000K	520	90	25°	2.99	2.44	25K	045923294044 24/6
S29405	6.5PAR20/LED/40'/927/120V	6.5	120	PAR20	E26	SLVR	2700K	520	90	40°	2.99	2.44	25K	045923294051 24/6
S29406	6.5PAR20/LED/40'/930/120V	6.5	120	PAR20	E26	SLVR	3000K	520	90	40°	2.99	2.44	25K	045923294068 24/6
S29407	6.5PAR20/LED/40'/935/120V	6.5	120	PAR20	E26	SLVR	3500K	520	90	40°	2.99	2.44	25K	045923294075 24/6
S29408	6.5PAR20/LED/40'/940/120V	6.5	120	PAR20	E26	SLVR	4000K	520	90	40°	2.99	2.44	25K	045923294082 24/6
S29409*	6.5PAR20/LED/40'/950/120V	6.5	120	PAR20	E26	SLVR	5000K	520	90	40°	2.99	2.44	25K	045923294099 24/6

.For minimum compartment size of enclosed fixture visit www.satco.com. *Not T24.

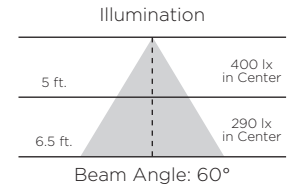
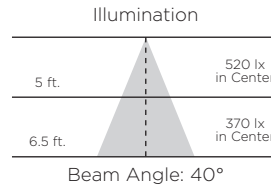
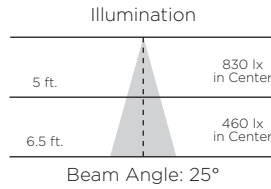
Product sheet SA2723

SILVER PAR SERIES

PAR30/SN



PAR30/LN

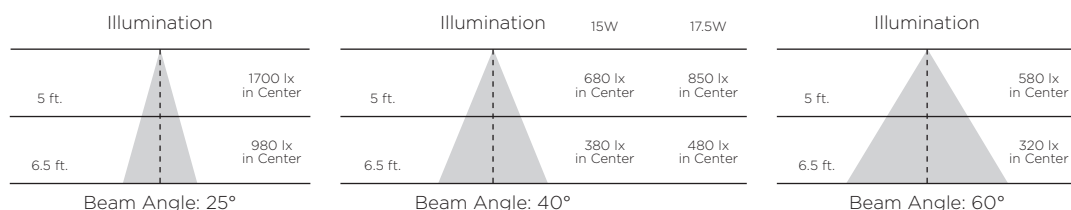


Item	Description	W	V	Bulb Shape	Base	Housing Finish	CCT	Lm	CRI	Beam	MOL (in.)	MOD (in.)	Life (hrs.)	UPC	Pack
PAR30 Short Neck 12.5W LED - 75W Replacement															
S29410	12.5PAR30/SN/LED/25/927/120V	12.5	120	PAR30SN	E26	SLVR	2700K	1000	90	25°	3.70	3.74	25K	045923294105	12/6
S29411	12.5PAR30/SN/LED/25/930/120V	12.5	120	PAR30SN	E26	SLVR	3000K	1000	90	25°	3.70	3.74	25K	045923294112	12/6
S29412	12.5PAR30/SN/LED/25/935/120V	12.5	120	PAR30SN	E26	SLVR	3500K	1000	90	25°	3.70	3.74	25K	045923294129	12/6
S29413	12.5PAR30/SN/LED/25/940/120V	12.5	120	PAR30SN	E26	SLVR	4000K	1000	90	25°	3.70	3.74	25K	045923294136	12/6
S29414*	12.5PAR30/SN/LED/25/950/120V	12.5	120	PAR30SN	E26	SLVR	5000K	1000	90	25°	3.70	3.74	25K	045923294143	12/6
S29415	12.5PAR30/SN/LED/40/927/120V	12.5	120	PAR30SN	E26	SLVR	2700K	1000	90	40°	3.70	3.74	25K	045923294150	12/6
S29416	12.5PAR30/SN/LED/40/930/120V	12.5	120	PAR30SN	E26	SLVR	3000K	1000	90	40°	3.70	3.74	25K	045923294167	12/6
S29417	12.5PAR30/SN/LED/40/935/120V	12.5	120	PAR30SN	E26	SLVR	3500K	1000	90	40°	3.70	3.74	25K	045923294174	12/6
S29418	12.5PAR30/SN/LED/40/940/120V	12.5	120	PAR30SN	E26	SLVR	4000K	1000	90	40°	3.70	3.74	25K	045923294181	12/6
S29419*	12.5PAR30/SN/LED/40/950/120V	12.5	120	PAR30SN	E26	SLVR	5000K	1000	90	40°	3.70	3.74	25K	045923294198	12/6
S29420	12.5PAR30/SN/LED/60/927/120V	12.5	120	PAR30SN	E26	SLVR	2700K	1000	90	60°	3.70	3.74	25K	045923294204	12/6
S29421	12.5PAR30/SN/LED/60/930/120V	12.5	120	PAR30SN	E26	SLVR	3000K	1000	90	60°	3.70	3.74	25K	045923294211	12/6
S29422	12.5PAR30/SN/LED/60/935/120V	12.5	120	PAR30SN	E26	SLVR	3500K	1000	90	60°	3.70	3.74	25K	045923294228	12/6
S29423	12.5PAR30/SN/LED/60/940/120V	12.5	120	PAR30SN	E26	SLVR	4000K	1000	90	60°	3.70	3.74	25K	045923294235	12/6
S29424*	12.5PAR30/SN/LED/60/950/120V	12.5	120	PAR30SN	E26	SLVR	5000K	1000	90	60°	3.70	3.74	25K	045923294242	12/6
PAR30 Long Neck 12.5W LED - 75W Replacement															
S29425	12.5PAR30/LN/LED/25/927/120V	12.5	120	PAR30LN	E26	SLVR	2700K	1000	90	25°	4.57	3.74	25K	045923294259	12/6
S29426	12.5PAR30/LN/LED/25/930/120V	12.5	120	PAR30LN	E26	SLVR	3000K	1000	90	25°	4.57	3.74	25K	045923294266	12/6
S29427	12.5PAR30/LN/LED/25/935/120V	12.5	120	PAR30LN	E26	SLVR	3500K	1000	90	25°	4.57	3.74	25K	045923294273	12/6
S29428	12.5PAR30/LN/LED/25/940/120V	12.5	120	PAR30LN	E26	SLVR	4000K	1000	90	25°	4.57	3.74	25K	045923294280	12/6
S29429*	12.5PAR30/LN/LED/25/950/120V	12.5	120	PAR30LN	E26	SLVR	5000K	1000	90	25°	4.57	3.74	25K	045923294297	12/6
S29430	12.5PAR30/LN/LED/40/927/120V	12.5	120	PAR30LN	E26	SLVR	2700K	1000	90	40°	4.57	3.74	25K	045923294303	12/6
S29431	12.5PAR30/LN/LED/40/930/120V	12.5	120	PAR30LN	E26	SLVR	3000K	1000	90	40°	4.57	3.74	25K	045923294310	12/6
S29432	12.5PAR30/LN/LED/40/935/120V	12.5	120	PAR30LN	E26	SLVR	3500K	1000	90	40°	4.57	3.74	25K	045923294327	12/6
S29433	12.5PAR30/LN/LED/40/940/120V	12.5	120	PAR30LN	E26	SLVR	4000K	1000	90	40°	4.57	3.74	25K	045923294334	12/6
S29434*	12.5PAR30/LN/LED/40/950/120V	12.5	120	PAR30LN	E26	SLVR	5000K	1000	90	40°	4.57	3.74	25K	045923294341	12/6
S29435	12.5PAR30/LN/LED/60/927/120V	12.5	120	PAR30LN	E26	SLVR	2700K	1000	90	60°	4.57	3.74	25K	045923294358	12/6
S29436	12.5PAR30/LN/LED/60/930/120V	12.5	120	PAR30LN	E26	SLVR	3000K	1000	90	60°	4.57	3.74	25K	045923294365	12/6
S29437	12.5PAR30/LN/LED/60/935/120V	12.5	120	PAR30LN	E26	SLVR	3500K	1000	90	60°	4.57	3.74	25K	045923294372	12/6
S29438	12.5PAR30/LN/LED/60/940/120V	12.5	120	PAR30LN	E26	SLVR	4000K	1000	90	60°	4.57	3.74	25K	045923294389	12/6
S29439*	12.5PAR30/LN/LED/60/950/120V	12.5	120	PAR30LN	E26	SLVR	5000K	1000	90	60°	4.57	3.74	25K	045923294396	12/6

*For minimum compartment size of enclosed fixture visit www.satco.com. *Not T24

Product sheet SA2723

SILVER PAR SERIES PAR 38 LAMPS



Item	Description	W	V	Bulb Shape	Base	Housing Finish	CCT	Lm	CRI	Beam	MOL (in.)	MOD (in.)	Life (hrs.)	UPC	Pack
PAR 38 15W LED - 90W Replacement															
S29440	15PAR38/LED/25'/927/120V	15	120	PAR38	E26	SLVR	2700K	1200	90	25°	5.00	4.72	25K	045923294402	12/6
S29441	15PAR38/LED/25'/930/120V	15	120	PAR38	E26	SLVR	3000K	1200	90	25°	5.00	4.72	25K	045923294419	12/6
S29442	15PAR38/LED/25'/935/120V	15	120	PAR38	E26	SLVR	3500K	1200	90	25°	5.00	4.72	25K	045923294426	12/6
S29443	15PAR38/LED/25'/940/120V	15	120	PAR38	E26	SLVR	4000K	1200	90	25°	5.00	4.72	25K	045923294433	12/6
S29444*	15PAR38/LED/25'/950/120V	15	120	PAR38	E26	SLVR	5000K	1200	90	25°	5.00	4.72	25K	045923294440	12/6
S29445	15PAR38/LED/40'/927/120V	15	120	PAR38	E26	SLVR	2700K	1200	90	40°	5.00	4.72	25K	045923294457	12/6
S29446	15PAR38/LED/40'/930/120V	15	120	PAR38	E26	SLVR	3000K	1200	90	40°	5.00	4.72	25K	045923294464	12/6
S29447	15PAR38/LED/40'/935/120V	15	120	PAR38	E26	SLVR	3500K	1200	90	40°	5.00	4.72	25K	045923294471	12/6
S29448	15PAR38/LED/40'/940/120V	15	120	PAR38	E26	SLVR	4000K	1200	90	40°	5.00	4.72	25K	045923294488	12/6
S29449*	15PAR38/LED/40'/950/120V	15	120	PAR38	E26	SLVR	5000K	1200	90	40°	5.00	4.72	25K	045923294495	12/6
S29450	15PAR38/LED/60'/927/120V	15	120	PAR38	E26	SLVR	2700K	1200	90	60°	5.00	4.72	25K	045923294501	12/6
S29451	15PAR38/LED/60'/930/120V	15	120	PAR38	E26	SLVR	3000K	1200	90	60°	5.00	4.72	25K	045923294518	12/6
S29452	15PAR38/LED/60'/935/120V	15	120	PAR38	E26	SLVR	3500K	1200	90	60°	5.00	4.72	25K	045923294525	12/6
S29453	15PAR38/LED/60'/940/120V	15	120	PAR38	E26	SLVR	4000K	1200	90	60°	5.00	4.72	25K	045923294532	12/6
S29454*	15PAR38/LED/60'/950/120V	15	120	PAR38	E26	SLVR	5000K	1200	90	60°	5.00	4.72	25K	045923294549	12/6
PAR38 15W LED 2 Pack - Non-Dimmable - 90W Replacement															
S29457	15PAR38/LED/60'/930/120V/ND/2P	15	120	PAR38	E26	SLVR	3000K	1200	90	60°	5.00	4.72	25K	045923294570	8-2pks
PAR38 17.5W LED - 120W Replacement															
S29455	17.5PAR38/LED/40'/930/120V	17.5	120	PAR38	E26	SLVR	3000K	1400	90	40°	5.00	4.72	25K	045923294556	12/6
S29456	17.5PAR38/LED/40'/940/120V	17.5	120	PAR38	E26	SLVR	4000K	1400	90	40°	5.00	4.72	25K	045923294563	12/6

*For minimum compartment size of enclosed fixture visit www.satco.com. *Not T24

HIGH LUMEN LED PAR LAMPS



Features:

- Silver reflector
- Wet location - indoor/outdoor
- 120V dimmable version
- Range voltage 120V -277V
- Non-dimmable version
- Multiple CCT options



HIGH LUMEN LED PAR LAMPS



PAR30LN



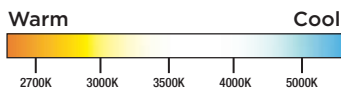
PAR38



Choose from
2700K/3000K/3500K/4000K/5000K
color temperatures



ColorQuick[®]
Selectable Color Technology



Item	Description	W	Incandescent Replacement Wattage	V	Bulb Shape	Base	Housing Finish	CCT	Lm	Beam	MOL (in.)	MOD (in.)	Life (hrs.)	Pack
Dimmable														
S32240	15PAR30LN/5CCT/HL/120V/D	15	100W	120	PAR30LN	E26	Silver	2700K/3000K/3500K/4000K/5000K	1800	40°	4.65	3.74	25K	12/6
S32250	21PAR38/5CCT/HL/120V/D	21	250W	120	PAR38	E26	Silver	2700K/3000K/3500K/4000K/5000K	3000	40°	5.12	4.76	25K	12/6
Non-Dimmable														
S39764*	15PAR30/5CCT/HL/120-277/ND	15	100W	120-277	PAR38	E26	Silver	2700K/3000K/3500K/4000K/5000K	1800	40°	4.65	3.74	25K	12/6
S39760*	19PAR38/5CCT/HL/120-277/ND	19	250W	120-277	PAR38	E26	Silver	2700K/3000K/3500K/4000K/5000K	2400	40°	5.12	4.76	25K	12/6

*Not dimmable

LED 25W PAR38 LAMP HIGH LUMEN | 2-CCT SELECTABLE

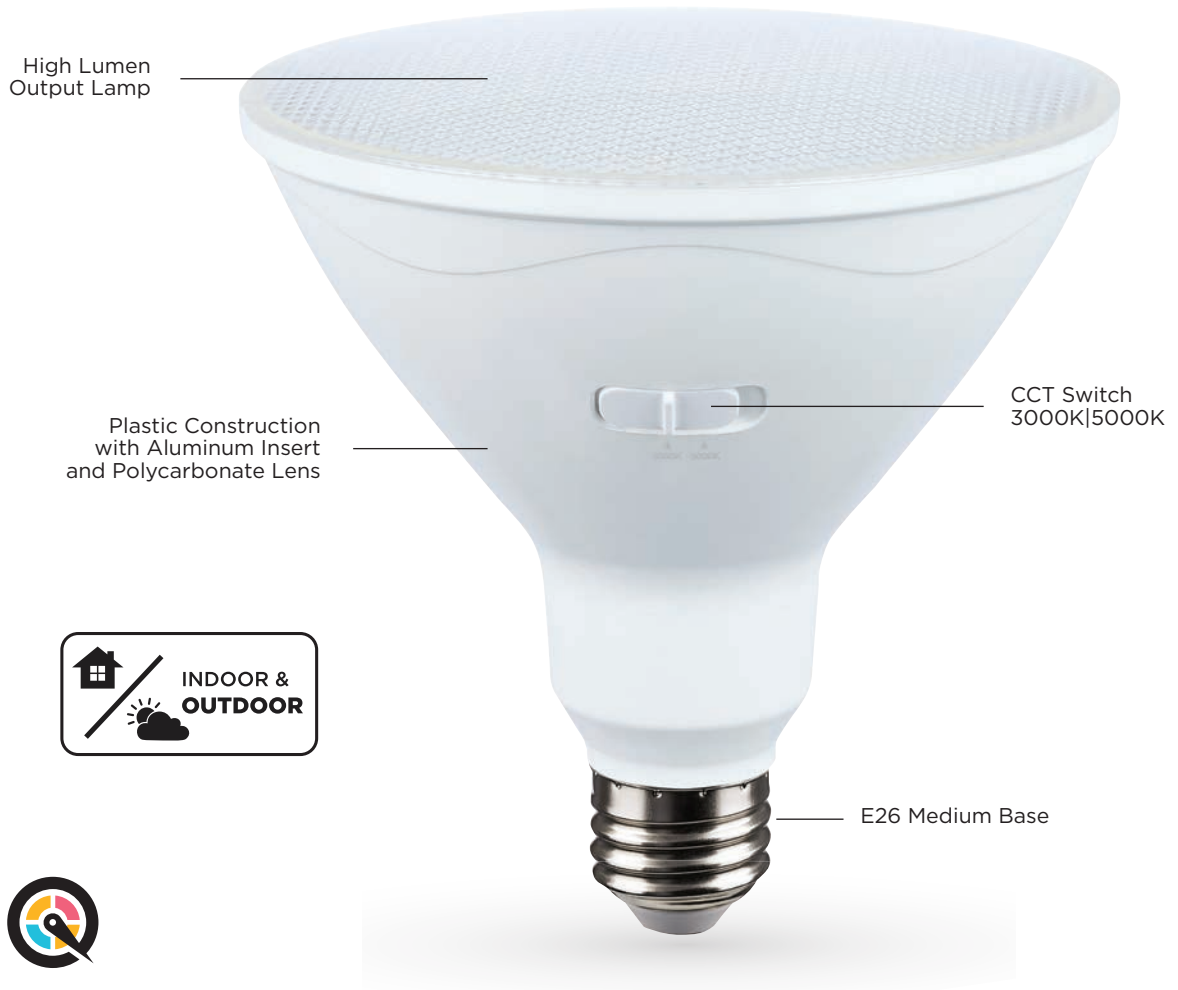


Features:

- High lumen
- Warm white or daylight
- Wet location rated for use outdoors
- Lightweight plastic construction with durable PC lens



LED 25W PAR38 LAMP HIGH LUMEN | 2-CCT SELECTABLE



ColorQuick[®]

Selectable Color Technology



Item	Description	W	V	Bulb Shape	Base	Finish	CCT	Lm	CRI	Beam	MOL (in.)	MOD (in.)	Life (hrs.)	UPC	Pack
S11592	25PAR38/LED/2CCT/FL40/120V	25	120	PAR38	E26	WH	3000K/5000K	3000	80	40°	5.24	4.84	15K	045923115929	12/6

*For minimum compartment size of enclosed fixture visit www.satco.com

Product sheet SN1672

PAR 20, 30 & 38 LAMPS CONTRACTOR SERIES



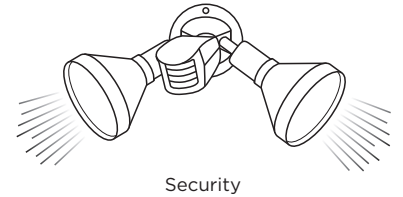
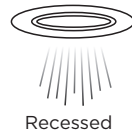
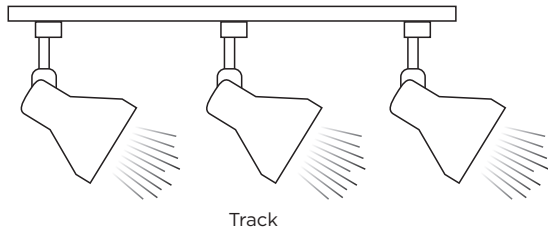
Features:

- 90 CRI - superior light
- Indoor/outdoor
- Dimmable
- 40° beam angle
- 3000K and 4000K

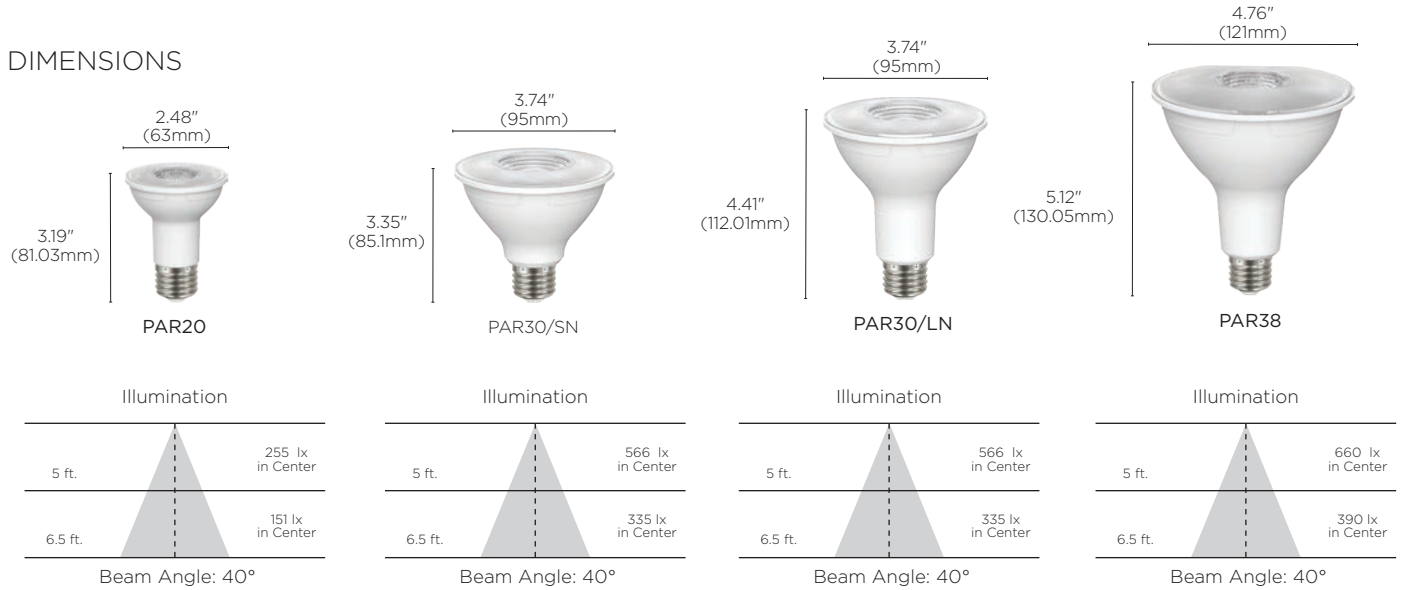


PAR 20, 30 & 38 LAMPS CONTRACTOR SERIES

APPLICATIONS



DIMENSIONS



Item	Description	W	V	Bulb Shape	Base	Housing Finish	CCT	Lm	CRI	Beam	MOL (in.)	MOD (in.)	Life (hrs.)	UPC	Pack
PAR20 - 50W Replacement															
S22210	5.5PAR20/LED/930/FL/120V	5.5	120	PAR20	E26	WH	3000K	500	90	40°	3.19	2.48	15K	045923210433	24/6
S22211	5.5PAR20/LED/940/FL/120V	5.5	120	PAR20	E26	WH	4000K	500	90	40°	3.19	2.48	15K	045923210440	24/6
PAR30 - 75W Replacement (Short)															
S22212	8.5PAR30S/LED/930/FL/120V	8.5	120	PAR 30S	E26	WH	3000K	700	90	40°	3.35	3.74	15K	045923210457	12/6
S22213	8.5PAR30S/LED/940/FL/120V	8.5	120	PAR 30S	E26	WH	4000K	700	90	40°	3.35	3.74	15K	045923210464	12/6
PAR30 - 75W Replacement (Long)															
S22214	8.5PAR30L/LED/930/FL/120V	8.5	120	PAR 30L	E26	WH	3000K	700	90	40°	4.41	3.74	15K	045923210471	12/6
S22215	8.5PAR30L/LED/940/FL/120V	8.5	120	PAR 30L	E26	WH	4000K	700	90	40°	4.41	3.74	15K	045923210488	12/6
S22218	8.5PAR30L/LED/930/FL/120V/2PK	8.5	120	PAR 30L	E26	WH	3000K	700	90	40°	4.41	3.74	15K	045923210518	8/2pks
PAR38 - 90W Replacement															
S22216	11.5PAR38/LED/930/FL/120V	11.5	120	PAR 38	E26	WH	3000K	1000	90	40°	5.12	4.76	15K	045923210495	12/6
S22217	11.5PAR38/LED/940/FL/120V	11.5	120	PAR 38	E26	WH	4000K	1000	90	40°	5.12	4.76	15K	045923210501	12/6
S22219	11.5PAR38/LED/930/FL/120V/2PK	11.5	120	PAR 38	E26	WH	3000K	1000	90	40°	5.12	4.76	15K	045923210525	8/2

*For minimum compartment size of enclosed fixture visit www.satco.com

Product sheet SA2490

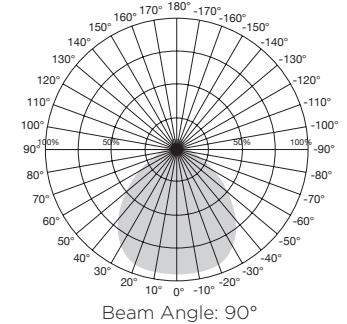
LED PAR38 COLORS



Features:

- High efficiency—uses only 11.5 Watts
- Improved color
- Superior design
- Indoor/outdoor
- Dimmable

LED PAR38 COLORS



Item	Description	W	V	Bulb Shape	Base	Lens Finish	CRI	Beam	MOL (in.)	MOD (in.)	Life (hrs.)	UPC	Pack
S29480	11.5PAR38/LED/90°/RED	11.5	120	PAR38	E26	RED	80	90°	5.20	4.75	15K	045923294808	12/6
S29481	11.5PAR38/LED/90°/GREEN	11.5	120	PAR38	E26	GRN	80	90°	5.20	4.75	15K	045923294815	12/6
S29482	11.5PAR38/LED/90°/BLUE	11.5	120	PAR38	E26	BLUE	80	90°	5.20	4.75	15K	045923294822	12/6
S29483	11.5PAR38/LED/90°/AMBER	11.5	120	PAR38	E26	AMB	80	90°	5.20	4.75	15K	045923294839	12/6
S29484	11.5PAR38/LED/90°/YELLOW	11.5	120	PAR38	E26	YLV	80	90°	5.20	4.75	15K	045923294846	12/6

*Visit www.satco.com for compatible dimmers. ^ For minimum compartment size of enclosed fixture visit www.satco.com

Product sheet SA2794

LED DUSK TO DAWN PAR38



Features:

- On at dusk, off at dawn
- Numerous applications
- Replace up to 90W incandescent bulbs
- Easy installation into standard light sockets



LED DUSK TO DAWN PAR38



90W Replacement



Item	Description	W	V	Bulb Shape	Base	Finish	CCT	Lm	Beam	MOL (in.)	MOD (in.)	Life (hrs.)	UPC	Pack
S11475	14PAR38/D2D/LED/930/120V	14	120	PAR38	E26	WH	3000K	1250	40°	5.12	4.72	15K	045923114755	12/6
S11476	14PAR38/D2D/LED/950/120V	14	120	PAR38	E26	WH	5000K	1250	40°	5.12	4.72	15K	045923114762	12/6

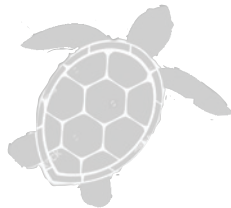
Product sheet SN1685

PAR 20, PAR 30 AMBER LAMPS "Turtle Friendly"



Features:

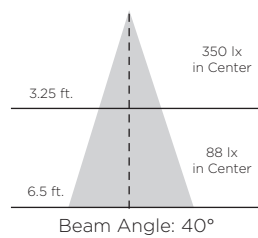
- Amber color -
- Sea turtle friendly
- Operating temperature - 13°F to 113°F (-25°C to 45°C)
- Halogen PAR LED replacement
- Long Life - 25,000 hours



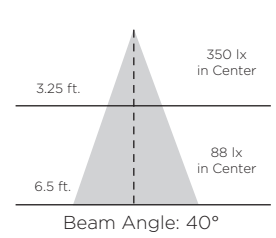
PAR 20, PAR 30 AMBER LAMPS "Turtle Friendly"



ILLUMINATION (PAR 20)



ILLUMINATION (PAR 30)



Item	Description	W	V	Bulb Shape	Base	Housing Finish	CCT	Lm	NM	Beam	MOL (in.)	MOD (in.)	Life (hrs.)	UPC	Pack
S39188*	6.5PAR20/LED/40'/AMBER	6.5	120	PAR20	E26	WH	AMB	180	590	40°	3.25	2.50	25K	049523391880	24/6
S29189†	8PAR30/LN/LED/40'/AMBER	8	120	PAR30	E26	WH	AMB	280	590	40°	4.57	3.74	25K	045923291890	24/6

Product sheet SA1641

LED PAR 120-277V CONTRACTOR SERIES



Features:

- Range voltage 120-277V for residential and commercial use
- 90 CRI for exceptional color rendering
- Wet location rated for use outdoors
- 40° beam angle for focused floodlight illumination

LED PAR 120-277V CONTRACTOR SERIES



PAR20

PAR30

PAR38



Item	Description	W	V	Bulb Shape	Base	CCT	Lm	CRI	Beam	MOL (in.)	MOD (in.)	Life (hrs.)	UPC	Pack
PAR20 50W Replacement														
S11494	7PAR20/930/120-277V	7	120-277V	PAR20	E26	3000K	450	90	35°	3.27	2.52	15K	045923114946	24/12
S11495	7PAR20/940/120-277V	7	120-277V	PAR20	E26	4000K	450	90	35°	3.27	2.52	15K	045923114953	24/12
S11496	7PAR20/950/120-277V	7	120-277V	PAR20	E26	5000K	450	90	35°	3.27	2.52	15K	045923114960	24/12
PAR30 (Long) 75W Replacement														
S11497	12PAR30L/930/120-277V	12	120-277V	PAR30	E26	3000K	900	90	35°	4.65	3.74	15K	045923114977	12/6
S11498	12PAR30L/940/120-277V	12	120-277V	PAR30	E26	4000K	900	90	35°	4.65	3.74	15K	045923114984	12/6
S11499	12PAR30L/950/120-277V	12	120-277V	PAR30	E26	5000K	900	90	35°	4.65	3.74	15K	045923114991	12/6
PAR38 90W 90W Replacement														
S11486	15PAR38/LED/40°/930/120-277	15	120-277V	PAR38	E26	3000K	1200	90	40°	5.04	4.8	15K	045923114861	12/6
S11487	15PAR38/LED/40°/940/120-277	15	120-277V	PAR38	E26	4000K	1200	90	40°	5.04	4.8	15K	045923114878	12/6
S11488	15PAR38/LED/40°/950/120-277	15	120-277V	PAR38	E26	5000K	1200	90	40°	5.04	4.8	15K	045923114885	12/6

Product sheet SA2986

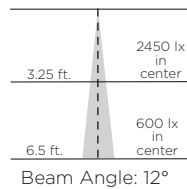
LED AR111 LAMPS



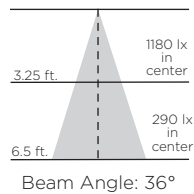
Features:

- Direct replacement for halogen lamps
- High efficiency—less heat
- 7W and 12W options
- Damp location
- Long life—30,000 hours
- PAR 36 replacement

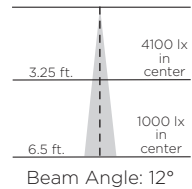
ILLUMINATION 7W



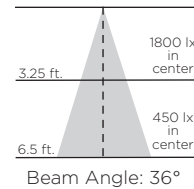
ILLUMINATION 7W



ILLUMINATION 12W



ILLUMINATION 12W



Item	Description	W	V	Bulb Shape	Base	Housing Finish	CCT	Lm	CRI	Beam	MOL (in.)	MOD (in.)	Life (hrs.)	UPC	Pack
S12244	7AR111/LED/830/SP12/12V	7	12	AR111	G53	WH	3000K	520	80	12°	2.60	4.37	30K	045923122446	24/6
S12245	7AR111/LED/830/FL36/12V	7	12	AR111	G53	WH	3000K	600	80	36°	2.60	4.37	30K	045923122453	24/6
S12246	12AR111/LED/830/SP12/12V	12	12	AR111	G53	WH	3000K	850	80	12°	2.60	4.37	30K	045923122460	24/6
S12247	12AR111/LED/830/FL36/12V	12	12	AR111	G53	WH	3000K	900	80	36°	2.60	4.37	30K	045923122477	24/6

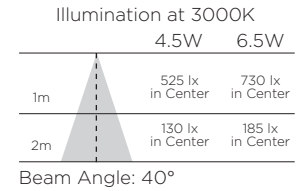
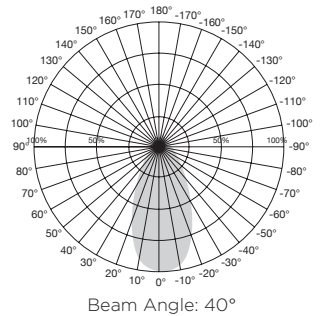
Non-dimmable

Product sheet SA2610

LED PAR16 LAMPS

Features:

- 45 watt & 60 watt halogen PAR16 lamp replacement uses only 4-6.5 watts
- Dimmable
- Damp location
- Approved for totally enclosed fixtures ^
- Long life—25,000 hours
- 5 year warranty



Item	Description	W	V	Bulb Shape	Base	Housing Finish	CCT	Lm	CRI	Beam	MOL (in.)	MOD (in.)	Life (hrs.)	UPC	Pack
S9386	4.5PAR16/LED/40°/3000K/120V	4.5	120	PAR16	E26	WH	3000K	360	80	40°	2.88	2.00	25K	045923093869	48/12
S9387	4.5PAR16/LED/40°/5000K/120V	4.5	120	PAR16	E26	WH	5000K	360	80	40°	2.88	2.00	25K	045923093876	48/12
S9388	6.5PAR16/LED/40°/3000K/120V	6.5	120	PAR16	E26	WH	3000K	500	80	40°	2.88	2.00	25K	045923093883	48/12
S9389	6.5PAR16/LED/40°/5000K/120V	6.5	120	PAR16	E26	WH	5000K	500	80	40°	2.88	2.00	25K	045923093890	48/12
90 CRI—CEC/T20															
S8585*	4PAR16/LED/40°/3K/120V/90CRI	4	120	PAR16	E26	WH	3000K	360	90+	40°	2.88	2.00	25K	045923085857	48/12

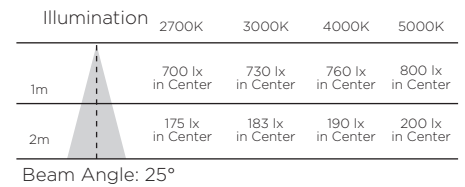
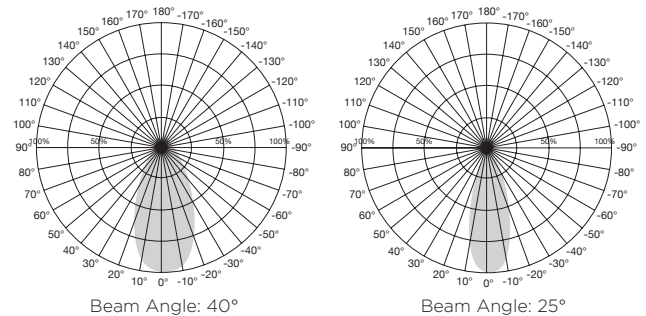
*For minimum compartment size of enclosed fixture visit www.satco.com

Product sheet SA1744

12V LED MR11 LAMPS

Features:

- 20 Watt MR11 replacement, uses up to 3 watts
- Damp location
- Approved for totally enclosed fixtures ^
- Long life—25,000 hours
- 3 year warranty†



Item	Description	W	V	Bulb Shape	Base	Housing Finish	CCT	Lm	CRI	Beam	MOL (in.)	MOD (in.)	Life (hrs.)	UPC	Pack
S9550**	1.6MR11/LED/40°/3000K/12V	1.6	12	MR11	G4	CL	3000K	200	80	40°	1.56	1.31	25K	045923095504	200/20
S9551**	1.6MR11/LED/40°/5000K/12V	1.6	12	MR11	G4	CL	5000K	200	80	40°	1.56	1.31	25K	045923095511	200/20
S9280	3MR11/LED/25°/2700K/12V	3	12	MR11	GU4	WH	2700K	210	80	25°	1.48	1.36	25K	045923092800	48/12
S9281	3MR11/LED/25°/3000K/12V	3	12	MR11	GU4	WH	3000K	210	80	25°	1.48	1.36	25K	045923092817	48/12
S9282	3MR11/LED/25°/4000K/12V	3	12	MR11	GU4	WH	4000K	210	80	25°	1.48	1.36	25K	045923092824	48/12
S9283	3MR11/LED/25°/5000K/12V	3	12	MR11	GU4	WH	5000K	210	80	25°	1.48	1.36	25K	045923092831	48/12

*For minimum compartment size of enclosed fixture visit www.satco.com. †5 year warranty S9280 & S9283.

Product sheet SA1679

LED MR16 LAMPS



Features:

- Dimmable
- Approved for totally enclosed fixtures ^
- 12V and 24V
- Long life—25,000 hours
- 5 year warranty

Applications:

- Indoor residential and commercial lighting
- Down lighting
- Accent lighting
- Pendant lighting





3MR16
Clear



6.5W MR16
Gray



8W MR16
Gray



8W MR16
Back

LED MR16 LAMPS



Item	Description	W	V	Bulb Shape	Base	Housing Finish	CCT	Lm	CRI	Beam	MOL (in.)	MOD (in.)	Life (hrs.)	UPC	Pack
S9552	3MR16/LED/40°/3000K/12V	3	12	MR16	GU5.3	CL	3000K	330	80	40°	2.00	2.00	25K	045923095528	200/20
S9553	3MR16/LED/40°/5000K/12V	3	12	MR16	GU5.3	CL	5000K	330	80	40°	2.00	2.00	25K	045923095535	200/20
S11389	4.5MR16/LED/15°/830/12V	4.5	12	MR16	GU5.3	GR	3000K	360	80	15°	1.77	1.97	25K	045923113895	48/12
S11390	4.5MR16/LED/15°/850/12V	4.5	12	MR16	GU5.3	GR	5000K	360	80	15°	1.77	1.97	25K	045923113901	48/12
S11391	4.5MR16/LED/40°/827/12V	4.5	12	MR16	GU5.3	GR	2700K	360	80	40°	1.77	1.97	25K	045923113918	48/12
S11392	4.5MR16/LED/40°/830/12V	4.5	12	MR16	GU5.3	GR	3000K	360	80	40°	1.77	1.97	25K	045923113925	48/12
S11393	4.5MR16/LED/40°/835/12V	4.5	12	MR16	GU5.3	GR	3500K	360	80	40°	1.77	1.97	25K	045923113932	48/12
S11394	4.5MR16/LED/40°/840/12V	4.5	12	MR16	GU5.3	GR	4000K	360	80	40°	1.77	1.97	25K	045923113949	48/12
S11395	4.5MR16/LED/40°/850/12V	4.5	12	MR16	GU5.3	GR	5000K	360	80	40°	1.77	1.97	25K	045923113956	48/12
S11396	4.5MR16/LED/40°/830/12V	4.5	12	MR16	GU5.3	BK	3000K	360	80	40°	1.77	1.97	25K	045923113963	48/12
S11397	4.5MR16/LED/40°/850/12V	4.5	12	MR16	GU5.3	BK	5000K	360	80	40°	1.77	1.97	25K	045923113970	48/12
50W Replacement															
S11398	6.5MR16/LED/40°/830/12V	6.5	12	MR16	GU5.3	BK	3000K	500	80	40°	1.77	1.97	25K	045923113987	48/12
S11399	6.5MR16/LED/40°/850/12V	6.5	12	MR16	GU5.3	BK	5000K	500	80	40°	1.77	1.97	25K	045923113994	48/12
80 CRI - 50W Replacement - CEC/T20															
S9490	6.5MR16/LED/25°/27K/12V	6.5	12	MR16	GU5.3	GR	2700K	500	80	25°	1.77	1.97	25K	045923094903	48/12
S9491	6.5MR16/LED/25°/30K/12V	6.5	12	MR16	GU5.3	GR	3000K	500	80	25°	1.77	1.97	25K	045923094910	48/12
S9492	6.5MR16/LED/25°/35K/12V	6.5	12	MR16	GU5.3	GR	3500K	500	80	25°	1.77	1.97	25K	045923094927	48/12
S9493	6.5MR16/LED/25°/40K/12V	6.5	12	MR16	GU5.3	GR	4000K	500	80	25°	1.77	1.97	25K	045923094934	48/12
S9494	6.5MR16/LED/25°/50K/12V	6.5	12	MR16	GU5.3	GR	5000K	500	80	25°	1.77	1.97	25K	045923094941	48/12
S9495	6.5MR16/LED/40°/27K/12V	6.5	12	MR16	GU5.3	GR	2700K	500	80	40°	1.77	1.97	25K	045923094958	48/12
S9496	6.5MR16/LED/40°/30K/12V	6.5	12	MR16	GU5.3	GR	3000K	500	80	40°	1.77	1.97	25K	045923094965	48/12
S9497	6.5MR16/LED/40°/35K/12V	6.5	12	MR16	GU5.3	GR	3500K	500	80	40°	1.77	1.97	25K	045923094972	48/12
S9498	6.5MR16/LED/40°/40K/12V	6.5	12	MR16	GU5.3	GR	4000K	500	80	40°	1.77	1.97	25K	045923094989	48/12
S9499	6.5MR16/LED/40°/50K/12V	6.5	12	MR16	GU5.3	GR	5000K	500	80	40°	1.77	1.97	25K	045923094996	48/12
24V - 50W Replacement															
S11340	6MR16/LED/40°/827/24V AC/DC	6	24	MR16	GU5.3	GR	2700K	550	80	40°	1.77	1.97	25K	045923113406	48/12
S11341	6MR16/LED/40°/830/24V AC/DC	6	24	MR16	GU5.3	GR	3000K	550	80	40°	1.77	1.97	25K	045923113413	48/12
S11342	6MR16/LED/40°/840/24V AC/DC	6	24	MR16	GU5.3	GR	4000K	550	80	40°	1.77	1.97	25K	045923113420	48/12
S11343	6MR16/LED/40°/850/24V AC/DC	6	24	MR16	GU5.3	GR	5000K	550	80	40°	1.77	1.97	25K	045923113437	48/12
90 CRI															
S11334*	6.5MR16/LED/25°/927/12V	6.5	12	MR16	GU5.3	GR	2700K	450	90	25°	1.77	1.97	25K	045923113345	48/12
S11335*	6.5MR16/LED/25°/930/12V	6.5	12	MR16	GU5.3	GR	3000K	450	90	25°	1.77	1.97	25K	045923113352	48/12
S11336*	6.5MR16/LED/40°/927/12V	6.5	12	MR16	GU5.3	GR	2700K	450	90	40°	1.77	1.97	25K	045923113369	48/12
S9616*	6.5MR16/LED/40°/930/12V	6.5	12	MR16	GU5.3	GR	3000K	450	90	40°	1.77	1.97	25K	045923096167	48/12
Single Optic - 75W Replacement - CEC/T20															
S8635*	8MR16/LED/15°/27K/90CRI/12V	8	12	MR16	GU5.3	GR	2700K	490	90	15°	1.93	1.97	25K	045923086359	48/12
S8636*	8MR16/LED/15°/30K/90CRI/12V	8	12	MR16	GU5.3	GR	3000K	490	90	15°	1.93	1.97	25K	045923086366	48/12
S8637*	8MR16/LED/15°/35K/90CRI/12V	8	12	MR16	GU5.3	GR	3500K	490	90	15°	1.93	1.97	25K	045923086373	48/12
S8638*	8MR16/LED/15°/40K/90CRI/12V	8	12	MR16	GU5.3	GR	4000K	490	90	15°	1.93	1.97	25K	045923086380	48/12
S8639	8MR16/LED/15°/50K/90CRI/12V	8	12	MR16	GU5.3	GR	5000K	490	90	15°	1.93	1.97	25K	045923086397	48/12
S8640*	8MR16/LED/40°/27K/90CRI/12V	8	12	MR16	GU5.3	GR	2700K	490	90	40°	1.85	1.97	25K	045923086403	48/12
S8641*	8MR16/LED/40°/30K/90CRI/12V	8	12	MR16	GU5.3	GR	3000K	490	90	40°	1.85	1.97	25K	045923086410	48/12
S8642*	8MR16/LED/40°/35K/90CRI/12V	8	12	MR16	GU5.3	GR	3500K	490	90	40°	1.85	1.97	25K	045923086427	48/12
S8643*	8MR16/LED/40°/40K/90CRI/12V	8	12	MR16	GU5.3	GR	4000K	490	90	40°	1.85	1.97	25K	045923086434	48/12
S8644	8MR16/LED/40°/50K/90CRI/12V	8	12	MR16	GU5.3	GR	5000K	490	90	40°	1.85	1.97	25K	045923086441	48/12

All 12V MR16 lamps are compatible with electronic and magnetic transformers. Visit www.satco.com for compatibility information and warranty details. *For minimum compartment size of enclosed fixture visit www.satco.com.

Product sheet SA1902

LED MR16 LAMPS



Features:

- Available with GU5.3 or GU10 base
- Excellent color rendering
- 12V and 120V models offered
- Traditional look with glass housing



LED MR16 LAMPS



GU5.3 Base

GU10 Base



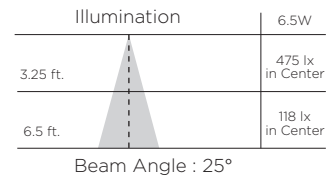
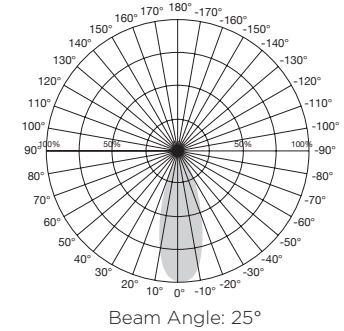
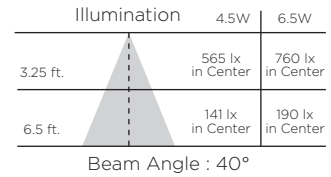
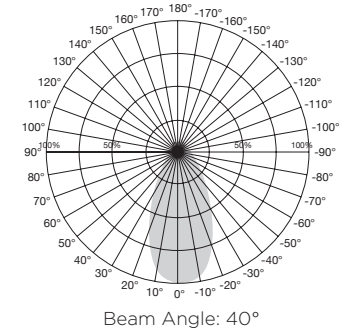
Item	Description	W	V	Bulb Shape	Base	Housing Finish	CCT	Lm	CRI	Beam	MOL (in.)	MOD (in.)	Life (hrs.)	UPC	Pack
S12360	5.5MR16/GB/927/SP15/12V	5.5	12	MR16	GU5.3	Clear	2700K	500	90+	15°	1.73	1.97	25K	045923123603	48/6
S12361	5.5MR16/GB/930/SP15/12V	5.5	12	MR16	GU5.3	Clear	3000K	500	90+	15°	1.73	1.97	25K	045923123610	48/6
S12362	5.5MR16/GB/935/SP15/12V	5.5	12	MR16	GU5.3	Clear	3500K	500	90+	15°	1.73	1.97	25K	045923123627	48/6
S12363	5.5MR16/GB/940/SP15/12V	5.5	12	MR16	GU5.3	Clear	4000K	500	90+	15°	1.73	1.97	25K	045923123634	48/6
S12364	5.5MR16/GB/950/SP15/12V	5.5	12	MR16	GU5.3	Clear	5000K	500	90+	15°	1.73	1.97	25K	045923123641	48/6
S12365	5.5MR16/GB/927/FL36/12V	5.5	12	MR16	GU5.3	Clear	2700K	500	90+	36°	1.73	1.97	25K	045923123658	48/6
S12366	5.5MR16/GB/930/FL36/12V	5.5	12	MR16	GU5.3	Clear	3000K	500	90+	36°	1.73	1.97	25K	045923123665	48/6
S12367	5.5MR16/GB/935/FL36/12V	5.5	12	MR16	GU5.3	Clear	3500K	500	90+	36°	1.73	1.97	25K	045923123672	48/6
S12368	5.5MR16/GB/940/FL36/12V	5.5	12	MR16	GU5.3	Clear	4000K	500	90+	36°	1.73	1.97	25K	045923123689	48/6
S12369	5.5MR16/GB/950/FL36/12V	5.5	12	MR16	GU5.3	Clear	5000K	500	90+	36°	1.73	1.97	25K	045923123696	48/6
S12370	5.5MR16/GB/965/FL36/12V	5.5	12	MR16	GU5.3	Clear	6500K	500	90+	36°	1.73	1.97	25K	045923123702	48/6
S12371	5.5MR16/GB/927/FL36/GU10/120V	5.5	120	MR16	GU10	Clear	2700K	500	90+	36°	2.05	1.97	25K	045923123719	48/6
S12372	5.5MR16/GB/930/FL36/GU10/120V	5.5	120	MR16	GU10	Clear	3000K	500	90+	36°	2.05	1.97	25K	045923123726	48/6
S12373	5.5MR16/GB/935/FL36/GU10/120V	5.5	120	MR16	GU10	Clear	3500K	500	90+	36°	2.05	1.97	25K	045923123733	48/6
S12374	5.5MR16/GB/940/FL36/GU10/120V	5.5	120	MR16	GU10	Clear	4000K	500	90+	36°	2.05	1.97	25K	045923123740	48/6
S12375	5.5MR16/GB/950/FL36/GU10/120V	5.5	120	MR16	GU10	Clear	5000K	500	90+	36°	2.05	1.97	25K	045923123757	48/6

Product sheet SN1756

MR16 GU10 BASE LED LAMPS

Features:

- Direct replacement for halogen lamps
- 4.5W = 35 watts
- 6.5W = 50 watts – 25° (new) and 40°
- Dimmable
- Damp location
- Approved for enclosed fixtures ^
- Long life - 25,000 hours
- High efficiency / environmentally friendly
- Innovative design
- No UV or IR radiation
- 5 year warranty / 10 hrs. per day



Item	Description	W	V	Bulb Shape	Base	Housing Finish	CCT	Lm	CRI	Beam	MOL (in.)	MOD (in.)	Life (hrs.)	UPC	Pack
S9380	4.5MR16/LED/40°/30K/120V/GU10	4.5	120	MR16	GU10	WH	3000K	360	80	40°	2.17	1.97	25K	045923093807	48/12
S9381	4.5MR16/LED/40°/50K/120V/GU10	4.5	120	MR16	GU10	WH	5000K	360	80	40°	2.17	1.97	25K	045923093814	48/12
S8676	6.5MR16/LED/25°/27K/120V/GU10	6.5	120	MR16	GU10	WH	2700K	500	80	25°	2.28	1.97	25K	045923086762	48/12
S8677	6.5MR16/LED/25°/30K/120V/GU10	6.5	120	MR16	GU10	WH	3000K	500	80	25°	2.28	1.97	25K	045923086779	48/12
S8678	6.5MR16/LED/25°/40K/120V/GU10	6.5	120	MR16	GU10	WH	4000K	500	80	25°	2.28	1.97	25K	045923086786	48/12
S8679	6.5MR16/LED/25°/50K/120V/GU10	6.5	120	MR16	GU10	WH	5000K	500	80	25°	2.28	1.97	25K	045923086793	48/12
S9382	6.5MR16/LED/40°/27K/120V/GU10	6.5	120	MR16	GU10	WH	2700K	500	80	40°	2.17	1.97	25K	045923093821	48/12
S9383	6.5MR16/LED/40°/30K/120V/GU10	6.5	120	MR16	GU10	WH	3000K	500	80	40°	2.17	1.97	25K	045923093838	48/12
S9384	6.5MR16/LED/40°/40K/120V/GU10	6.5	120	MR16	GU10	WH	4000K	500	80	40°	2.17	1.97	25K	045923093845	48/12
S9385	6.5MR16/LED/40°/50K/120V/GU10	6.5	120	MR16	GU10	WH	5000K	500	80	40°	2.17	1.97	25K	045923093852	48/12
90 CRI-CEC/T20															
S8588*	6.5MR16/LED/40°/27K/90CRI/GU10	6.5	120	MR16	GU10	WH	2700K	450	90	40°	2.17	1.97	25K	045923085888	48/12
S8589*	6.5MR16/LED/40°/30K/90CRI/GU10	6.5	120	MR16	GU10	WH	3000K	450	90	40°	2.17	1.97	25K	045923085895	48/12

*For minimum compartment size of enclosed fixture visit www.satco.com

Product sheet SA1729

CARDED LED MR LAMPS

Features:

- Direct replacement for halogen lamps
- 50W MR16
- 20W MR11
- Dimmable
- Damp location
- Approved for totally enclosed fixtures ^
- Up to 25,000 hours
- 3 year warranty*



2MR11



3MR11



6.5MR16



6.5MR16



7MR16



6.5MR16



Item	Description	W	V	Bulb Shape	Base	Housing Finish	CCT	Lm	CRI	Beam	MOL (in.)	MOD (in.)	Life (hrs.)	UPC	Pack
S8603*	3MR11/LED/25°/3000K/12V	3	12	MR11	GU4	WH	3000K	210	80	25°	1.48	1.36	25K	045923086038	12/1 cd
S21741	2MR11/LED/3K/36D/12V/2PK/ND	2	12	MR11	GU4	WH	3000K	100	80	36°	1.69	1.37	15K	045923217418	24/2 cd
S21744†	5.5MR16/LED/40°/840/GU10/2PK	5.5	120	MR16	GU10	WH	4000K	500	80	40°	2.20	1.97	25K	045923217449	24/2 cd
S21745†	5.5MR16/LED/40°/850/GU10/2PK	5.5	120	MR16	GU10	WH	5000K	500	80	40°	2.20	1.97	25K	045923217456	24/2 cd
S8605**	6.5MR16/LED/40°/30K/12V	6.5	12	MR16	GU5.3	GRAY	3000K	500	80	40°	1.78	1.97	25K	045923086052	12/1 cd
S8604**	6.5MR16/LED/40°/30K/120V/GU10	6.5	120	MR16	GU10	WH	3000K	500	80	40°	2.17	1.97	25K	045923086045	12/1 cd
S21743†	5.5MR16/LED/3K/40D/GU10/2PK	5.5	120	MR16	GU10	WH	3000K	500	80	40°	2.20	1.97	25K	045923217432	24/2 cd
S21742	7MR16/LED/3K/40D/12V/2PK/ND	7	12	MR16	GU5.3	WH	3000K	600	80	40°	2.07	1.97	25K	045923217425	24/2 cd

*For minimum compartment size of enclosed fixture visit www.satco.com. **5 year warranty.

Product sheet SN1277

LED MR16 E26 BASE LAMPS

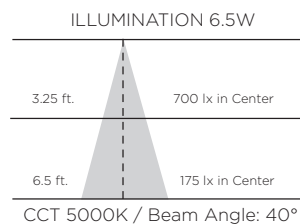
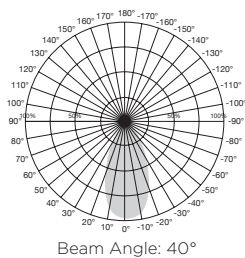


Features:

- Direct replacement for 50 watt Halogen lamps — uses only 6.5 watts
- Innovative design
- Dimmable
- Damp location
- Approved for enclosed fixtures[^]
- Long life - 25,000 hours
- No UV or IR radiation
- 5 year warranty

Applications:

- Indoor residential and commercial lighting
- Downlighting
- Accent lighting
- Pendant lighting



Item	Description	W	V	Bulb Shape	Base	Housing Finish	CCT	Lm	CRI	Beam	MOL (in.)	MOD (in.)	Life (hrs.)	UPC	Pack
S9980	6.5MR16/E26/LED/40°/27K/120V	6.5	120	MR16	E26	WH	2700K	500	80	40°	2.09	1.97	25K	045923099809	48/12
S9981	6.5MR16/E26/LED/40°/30K/120V	6.5	120	MR16	E26	WH	3000K	500	80	40°	2.09	1.97	25K	045923099816	48/12
S9982	6.5MR16/E26/LED/40°/40K/120V	6.5	120	MR16	E26	WH	4000K	500	80	40°	2.09	1.97	25K	045923099823	48/12
S9983	6.5MR16/E26/LED/40°/50K/120V	6.5	120	MR16	E26	WH	5000K	500	80	40°	2.09	1.97	25K	045923099830	48/12

[^]For minimum compartment size of enclosed fixture visit www.satco.com

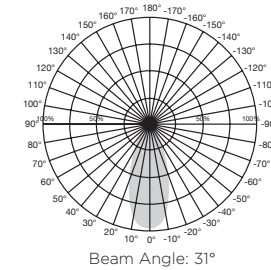
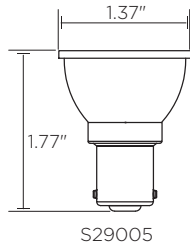
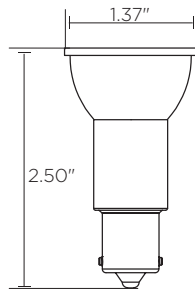
Product sheet SA2556

LED ELEVATOR LAMPS



Features:

- Direct replacement for 20W halogen lamps
- Elevators, lobbies
- Familiar look & performance
- Improved thermal management
- GBF/1383 LED direct replacement
- Long life—15,000 hours



Item	Description	W	V	Bulb Shape	Base	Housing Finish	CCT	Lm	CRI	Beam	MOL (in.)	MOD (in.)	Life (hrs.)	UPC	Pack
S29004	3WLED/1383/ELEVATOR/12V AC/DC	3	12	R12	BA15s	SLV	3000K	220	80	31°	2.50	1.38	15K	045923290046	48/12
S29005	3WLED/GBF/ELEVATOR/12V AC/DC	3	12	ALR12	BA15D	SLV	3000K	220	80	31°	1.77	1.38	15K	045923290053	48/12

Indoor use only. Not for use in totally enclosed fixtures.

Product sheet SA2370

LED PIN BASED LAMPS 12V LOW VOLTAGE HALOGEN REPLACEMENTS



Features:

- Halogen replacement lamps
- Frosted and clear options
- 300° omni-directional light
- 25,000 life hours
- Durable commercial design



LED PIN BASED LAMPS 12V LOW VOLTAGE HALOGEN REPLACEMENTS



Item	Description	W	V	Bulb Shape	Base	Finish	CCT	Lm	CRI	MOL (in.)	MOD (in.)	Life (hrs.)	UPC	Pack	
T4 - Bi-Pin G4 Base															
S12310	2W/LED/G4/CL/830/12V	2	12	T4	G4	CL	3000K	170	80	1.45	0.47	25K	045923123108	200/20	
T5 - Bi-Pin G4 Base															
S12120	3W/LED/G4/CL/830/12V/1CD	3	12	T5	G4	CL	3000K	330	80	1.69	0.63	25K	045923121203	48/12	
S12121	3W/LED/G4/CL/850/12V/1CD	3	12	T5	G4	CL	5000K	330	80	1.69	0.63	25K	045923121210	48/12	
S12311	3W/LED/G4/CL/830/12V	3	12	T5	G4	CL	3000K	330	80	1.69	0.63	25K	045923123115	200/20	
S12312	3W/LED/G4/CL/850/12V	3	12	T5	G4	CL	5000K	330	80	1.69	0.63	25K	045923123122	200/20	
S12313	3W/LED/G4/FR/830/12V	3	12	T5	G4	FR	3000K	300	80	1.69	0.63	25K	045923123139	200/20	
T6 - Bi-Pin G4 Base															
S12314	4.5W/LED/G4/CL/830/12V	4.5	12	T6	G4	CL	3000K	430	80	1.81	0.73	25K	045923123146	200/20	
S12315	4.5W/LED/G4/CL/850/12V	4.5	12	T6	G4	CL	5000K	430	80	1.81	0.73	25K	045923123153	200/20	
S12122	4.5W/LED/G4/CL/830/12V/1CD	4.5	12	T6	G4	CL	3000K	430	80	1.81	0.73	25K	045923121227	48/12	
S12123	4.5W/LED/G4/CL/850/12V/1CD	4.5	12	T6	G4	CL	5000K	430	80	1.81	0.73	25K	045923121234	48/12	
T5 - Bi-Pin GY6.35 Base															
S12316	3W/LED/GY6.35/CL/830/12V	3	12	T5	GY6.35	CL	3000K	300	80	1.57	0.63	25K	045923123160	200/20	
S12317	3W/LED/GY6.35/CL/850/12V	3	12	T5	GY6.35	CL	5000K	300	80	1.57	0.63	25K	045923123177	200/20	
T5 - Bi-Pin GY6.35 Base															
S12318	4.5W/LED/GY6.35/CL/830/12V	4.5	12	T6	GY6.35	CL	3000K	430	80	1.81	0.73	25K	045923123184	200/20	
S12319	4.5W/LED/GY6.35/CL/850/12V	4.5	12	T6	GY6.35	CL	5000K	430	80	1.81	0.73	25K	045923123191	200/20	
S12124	4.5W/LED/GY6.35/CL/830/12V/1CD	4.5	12	T6	GY6.35	CL	3000K	430	80	1.81	0.73	25K	045923121241	48/12	
S12125	4.5W/LED/GY6.35/CL/850/12V/1CD	4.5	12	T6	GY6.35	CL	5000K	430	80	1.81	0.73	25K	045923121258	48/12	
S12320	6.5W/LED/GY6.35/CL/830/12V	6.5	12	T6	GY6.35	CL	3000K	650	80	3.03	0.89	25K	045923123207	200/20	
S12321	6.5W/LED/GY6.35/CL/850/12V	6.5	12	T6	GY6.35	CL	5000K	650	80	3.03	0.89	25K	045923123214	200/20	

*See warranty for details at www.satco.com. Lamp life may vary depending on application and use.

Product sheet SA3059

LED PIN BASED LAMPS 120V HALOGEN REPLACEMENTS

Features:

- Halogen replacement lamps
- Frosted and clear options
- 300° omni-directional Light
- CCT selectable 2700K, 3000K, 4000K, or 5000K
- Durable commercial design



Item	Description	W	V	Bulb Shape	Base	Finish	CCT	Lm	CRI	MOL (in.)	MOD (in.)	Life (hrs.)	UPC	Pack
T4 - G9 Base														
S12328	2W/LED/G9/CL/830/120V	2	120	T4	G9	CL	3000K	200	80	1.77	0.51	25000	045923123283	200/20
S12329	2W/LED/G9/CL/850/120V	2	120	T4	G9	CL	5000K	200	80	1.77	0.51	25000	045923123290	200/20
S12330	2W/LED/G9/FR/830/120V	2	120	T4	G9	FR	3000K	180	80	1.77	0.51	25000	045923123306	200/20
S12128	3.5W/LED/G9/830/CL/120V/ICD	3.5	120	T4	G9	CL	3000K	330	80	2	0.71	25000	045923121289	48/12
S12129	3.5W/LED/G9/850/CL/120V/ICD	3.5	120	T4	G9	CL	5000K	330	80	2	0.71	25000	045923121296	48/12
S11230	3.5W/LED/G9/830/CL/120V/ND	3.5	120	T4	G9	CL	3000K	330	80	1.97	0.63	25000	045923112300	200/20
S11231	3.5W/LED/G9/840/CL/120V/ND	3.5	120	T4	G9	CL	4000K	330	80	1.97	0.63	25000	045923112317	200/20
S11232	3.5W/LED/G9/830/FR/120V/ND	3.5	120	T4	G9	FR	3000K	300	80	1.97	0.63	25000	045923112324	200/20
S11233	3.5W/LED/G9/840/FR/120V/ND	3.5	120	T4	G9	FR	4000K	300	80	1.97	0.63	25000	045923112331	200/20
S12130	5W/LED/G9/830/CL/120V/ICD	5	120	T4	G9	CL	3000K	550	80	2.17	0.75	25000	045923121302	48/12
S12131	5W/LED/G9/850/CL/120V/ICD	5	120	T4	G9	CL	5000K	550	80	2.17	0.75	25000	045923121319	48/12
S11234	5W/LED/G9/830/CL/120V/DIM	5	120	T4	G9	CL	3000K	550	80	2.13	0.75	25000	045923112348	200/20
S11235	5W/LED/G9/840/CL/120V/DIM	5	120	T4	G9	CL	4000K	550	80	2.13	0.75	25000	045923112355	200/20
S11236	5W/LED/G9/830/FR/120V/DIM	5	120	T4	G9	FR	3000K	500	80	2.13	0.75	25000	045923112362	200/20
S11237	5W/LED/G9/840/FR/120V/DIM	5	120	T4	G9	FR	4000K	500	80	2.13	0.75	25000	045923112379	200/20
S11238	5W/LED/G9/827/CL/120V/DIM	5	120	T4	G9	CL	2700K	500	80	2.13	0.75	25000	045923112386	200/20
S11239	5W/LED/G9/850/CL/120V/DIM	5	120	T4	G9	CL	5000K	550	80	2.13	0.75	25000	045923112393	200/20
T6 - G9 Base														
S12331	6.5W/LED/G9/CL/830/120V	6.5	120	T6	G9	CL	3000K	650	80	2.76	0.75	25000	045923123313	200/20
S12332	6.5W/LED/G9/CL/850/120V	6.5	120	T6	G9	CL	5000K	650	80	2.76	0.75	25000	045923123320	200/20
S12333	6.5W/LED/G9/FR/830/120V	6.5	120	T6	G9	FR	3000K	600	80	2.76	0.75	25000	045923123337	200/20
T6 - GY6.35 Base														
S12322	4.5W/LED/GY6.35/CL/830/120V	4.5	120	T6	GY6.35	CL	3000K	430	80	1.81	0.73	25000	045923123221	200/20
S12323	4.5W/LED/GY6.35/CL/850/120V	4.5	120	T6	GY6.35	CL	5000K	430	80	1.81	0.73	25000	045923123238	200/20
T6 - G8 Base														
S12324	4.5W/LED/G8/CL/830/120V	4.5	120	T6	G8	CL	3000K	430	80	1.77	0.73	25000	045923123245	200/20
S12325	4.5W/LED/G8/CL/850/120V	4.5	120	T6	G8	CL	5000K	430	80	1.77	0.73	25000	045923123252	200/20
S12126	4.5W/LED/G8/CL/830/120V/ICD	4.5	120	T6	G8	CL	3000K	430	80	1.81	0.73	25000	045923121265	48/12
S12127	4.5W/LED/G8/CL/850/120V/ICD	4.5	120	T6	G8	CL	5000K	430	80	1.81	0.73	25000	045923121272	48/12
S12326	6.5W/LED/G8/CL/830/120V	6.5	120	T6	G8	CL	3000K	650	80	2.52	0.75	25000	045923123269	200/20
S12327	6.5W/LED/G8/CL/850/120V	6.5	120	T6	G8	CL	5000K	650	80	2.52	0.75	25000	045923123276	200/20

Product sheet SA3061

LED HALOGEN REPLACEMENT LAMPS E11 AND E12 BASE

Features:

- Halogen replacement lamps
- Frosted and clear options
- 300° omni-directional light
- CCT selectable 3000K or 5000K
- Durable commercial design



S12135
T6 - E11 Base

S12345
T6 - E12 Base



Item	Description	W	V	Bulb Shape	Base	Finish	CCT	Lm	CRI	MOL (in.)	MOD (in.)	Life (hrs.)	UPC	Pack	
T6 - E11 Base															
S12132	5W/LED/E11/CL/830/120V/1CD	5	120	T6	E11	CL	3000K	550	80	2.28	0.75	25000	045923121326	48/12	
S12133	5W/LED/E11/CL/850/120V/1CD	5	120	T6	E11	CL	5000K	550	80	2.28	0.75	25000	045923121333	48/12	
S12334	5W/LED/E11/CL/830/120V	5	120	T6	E11	CL	3000K	550	80	2.28	0.75	25000	045923123344	200/20	
S12335	5W/LED/E11/CL/850/120V	5	120	T6	E11	CL	5000K	550	80	2.28	0.75	25000	045923123351	200/20	
S12336	5W/LED/E11/FR/830/120V	5	120	T6	E11	FR	3000K	500	80	2.28	0.75	25000	045923123368	200/20	
S12337	5W/LED/E11/FR/850/120V	5	120	T6	E11	FR	5000K	500	80	2.28	0.75	25000	045923123375	200/20	
S12338	6.5W/LED/E11/CL/830/120V	6.5	120	T6	E11	CL	3000K	650	80	2.83	0.75	25000	045923123382	200/20	
S12339	6.5W/LED/E11/CL/850/120V	6.5	120	T6	E11	CL	5000K	650	80	2.83	0.75	25000	045923123399	200/20	
S12340	6.5W/LED/E11/FR/830/120V	6.5	120	T6	E11	FR	3000K	600	80	2.83	0.75	25000	045923123405	200/20	
S12341	6.5W/LED/E11/FR/850/120V	6.5	120	T6	E11	FR	5000K	600	80	2.83	0.75	25000	045923123412	200/20	
T6 - E12 Base															
S12134	5W/LED/E12/CL/830/120V/1CD	5	120	T6	E12	CL	3000K	550	80	2.32	0.75	25000	045923121340	48/12	
S12135	5W/LED/E12/CL/850/120V/1CD	5	120	T6	E12	CL	5000K	550	80	2.32	0.75	25000	045923121357	48/12	
S12342	5W/LED/E12/CL/830/120V	5	120	T6	E12	CL	3000K	550	80	2.32	0.75	25000	045923123429	200/20	
S12343	5W/LED/E12/CL/850/120V	5	120	T6	E12	CL	5000K	550	80	2.32	0.75	25000	045923123436	200/20	
S12344	5W/LED/E12/FR/830/120V	5	120	T6	E12	FR	3000K	500	80	2.32	0.75	25000	045923123443	200/20	
S12345	5W/LED/E12/FR/850/120V	5	120	T6	E12	FR	5000K	500	80	2.32	0.75	25000	045923123450	200/20	
S12346	6.5W/LED/E12/CL/830/120V	6.5	120	T6	E12	CL	3000K	650	80	2.91	0.75	25000	045923123467	200/20	
S12347	6.5W/LED/E12/CL/850/120V	6.5	120	T6	E12	CL	5000K	650	80	2.91	0.75	25000	045923123474	200/20	
S12348	6.5W/LED/E12/FR/830/120V	6.5	120	T6	E12	FR	3000K	600	80	2.91	0.75	25000	045923123481	200/20	
S12349	6.5W/LED/E12/FR/850/120V	6.5	120	T6	E12	FR	5000K	600	80	2.91	0.75	25000	045923123498	200/20	

Product sheet SN1637

LED HALOGEN REPLACEMENT LAMPS SINGLE AND DOUBLE CONTACT BASES

Features:

- Halogen replacement lamps
- Frosted and clear options
- 300° omni-directional light
- CCT selectable 3000K or 5000K
- Durable commercial design



S12352
T6 - BA15d Base

S12359
T6 - BA15s Base



Item	Description	W	V	Bulb Shape	Base	Finish	CCT	Lm	CRI	MOL (in.)	MOD (In.)	Life (hrs.)	UPC	Pack	
T6 - BA15s Base															
S12138	4.5W/LED/BA15S/CL/830/12V/1CD	4.5	12	T6	BA15s	CL	3000K	430	80	2.09	0.67	25K	045923121388	48/12	
S12139	4.5W/LED/BA15S/CL/850/12V/1CD	4.5	12	T6	BA15s	CL	5000K	430	80	2.09	0.67	25K	045923121395	48/12	
S12358	4.5W/LED/BA15S/CL/830/12V	4.5	12	T6	BA15s	CL	3000K	430	80	2.11	0.73	25K	045923123580	200/20	
S12359	4.5W/LED/BA15S/CL/850/12V	4.5	12	T6	BA15s	CL	5000K	430	80	2.11	0.73	25K	045923123597	200/20	
T6 - BA15d Base															
S12136	5W/LED/DC/CL/830/120V/1CD	5	120	T6	BA15d	CL	3000K	550	80	2.24	0.75	25K	045923121364	48/12	
S12137	5W/LED/DC/CL/850/120V/1CD	5	120	T6	BA15d	CL	5000K	550	80	2.24	0.75	25K	045923121371	48/12	
S12350	5W/LED/DC/CL/830/120V	5	120	T6	BA15d	CL	3000K	550	80	2.24	0.75	25K	045923123504	200/20	
S12351	5W/LED/DC/CL/850/120V	5	120	T6	BA15d	CL	5000K	550	80	2.24	0.75	25K	045923123511	200/20	
S12352	5W/LED/DC/FR/830/120V	5	120	T6	BA15d	FR	3000K	500	80	2.24	0.75	25K	045923123528	200/20	
S12353	5W/LED/DC/FR/850/120V	5	120	T6	BA15d	FR	5000K	500	80	2.24	0.75	25K	045923123535	200/20	
S12354	6.5W/LED/DC/CL/830/120V	6.5	120	T6	BA15d	CL	3000K	650	80	2.83	0.75	25K	045923123542	200/20	
S12355	6.5W/LED/DC/CL/850/120V	6.5	120	T6	BA15d	CL	5000K	650	80	2.83	0.75	25K	045923123559	200/20	
S12356	6.5W/LED/DC/FR/830/120V	6.5	120	T6	BA15d	FR	3000K	600	80	2.83	0.75	25K	045923123566	200/20	
S12357	6.5W/LED/DC/FR/850/120V	6.5	120	T6	BA15d	FR	5000K	600	80	2.83	0.75	25K	045923123573	200/20	

Product sheet SN1645

LED J-TYPE T3 LAMPS



Features:

- Outperforms 50W and 100W halogen equivalents
- Direct replacement/energy saving
- Dimmable
- Long life
- 3 year warranty

78mm

118mm



Item	Description	W	V	Bulb Shape	Base	CCT	Lm	CRI	MOL (in.)	MOD (in.)	Life (hrs.)	UPC	Pack
S11220	6W/LED/T3/78MM/830/120V/D/CD	6	120	T3	R7S	3000K	600	80	3.07	0.98	15K	045923112201	48/12
S11221	6W/LED/T3/78MM/840/120V/D/CD	6	120	T3	R7S	4000K	600	80	3.07	0.98	15K	045923112218	48/12
S11222	10W/LED/T3/118MM/830/120V/D/CD	10	120	T3	R7S	3000K	1100	80	4.65	0.98	15K	045923112225	48/12
S11223	10W/LED/T3/118MM/840/120V/D/CD	10	120	T3	R7S	4000K	1100	80	4.65	0.98	15K	045923112232	48/12

*For minimum compartment size of enclosed fixture visit www.satco.com

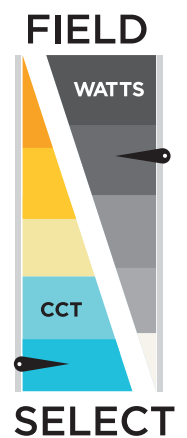
Product sheet SA2520

LED DOWNLIGHT RETROFITS - FIELD SELECTABLE

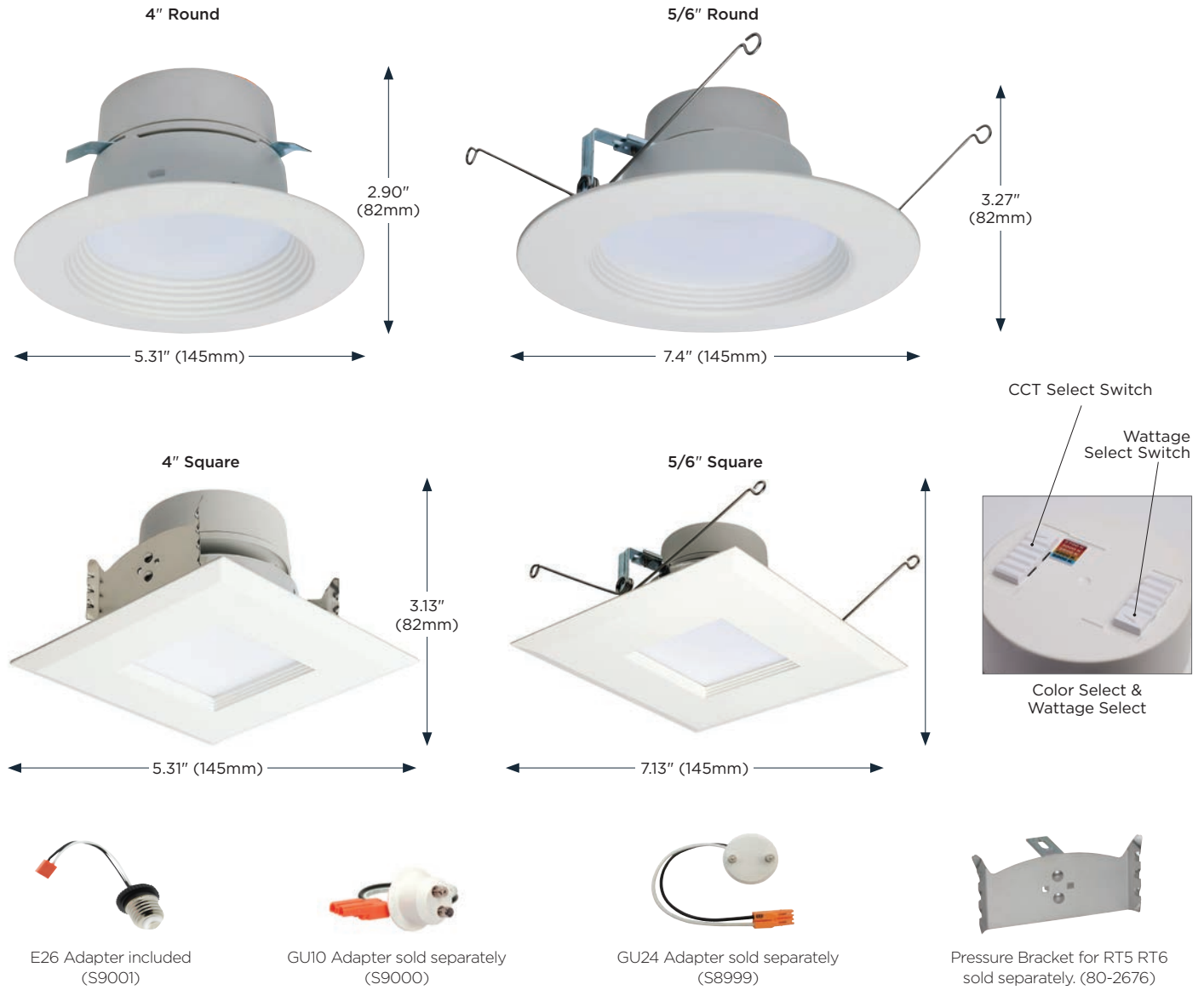


Features:

- High efficiency/environmentally friendly
- 3 wattage selectable
- 5 CCT selectable
- 2 Styles: round & square
- 2 Styles: for 4" and 5/6"
- Standard recessed housing
- Dimmable*
- Wet location
- ENERGY STAR® certified
- T20/T24 compliant
- Long life—50,000 hours
- 5 year warranty



LED DOWNLIGHT RETROFITS - FIELD SELECTABLE



Item	Description	Size	W	Lm	CCT	UPC	Pack
Round							
S18800	7.5W/5LED/RDL/4/WS/5CCT/RD	4"	5W/6W/7.5W	500/600L/700L	2700K/3000K/3500K/4000K/5000K	045923188008	16
S18801	13W/7LED/RDL/5-6/WS/5CCT/RD	5/6"	7W/10W/13W	750L/1050L/1300L	2700K/3000K/3500K/4000K/5000K	045923188015	8
Square							
S18802	8W/5.5LED/RDL/4/WS/5CCT/SQ	4"	5.5W/6.5W/8W	500/600L/700L	2700K/3000K/3500K/4000K/5000K	045923188022	16
S18803	14.5W/8LED/RDL/5-6/WS/5CCT/SQ	5/6"	7.5W/10.5W/14.5W	750L/1050L/1300L	2700K/3000K/3500K/4000K/5000K	045923188039	8

*Consult Satco or visit www.satco.com for an up-to-date dimmer compatibility list. See warranty for details.

PLUS SERIES LED DOWNLIGHT RETROFITS - CCT SELECTABLE



Features:

- 5 selectable CCT settings
- SKU reducer - 35 products, only 7 SKU's
- 3 Styles: round, square & gimbal
- 2 Sizes: for 4" and 5/6" standard recessed housing
- Wet location (baffles)
- Damp location (gimbals)
- ENERGY STAR® certified
- T20/T24 compliant
- Long life—50,000 hours
- 5 year warranty

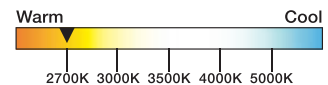


Color changeable -
5 color temperature
settings



ColorQuick

Selectable Color Technology

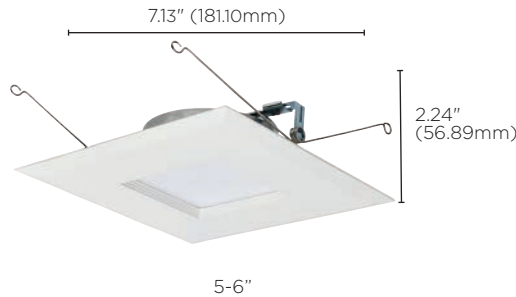


PLUS SERIES LED DOWNLIGHT RETROFITS - CCT SELECTABLE

ROUND



SQUARE



- SOFT WHITE (2700K)
- WARM WHITE (3000K)
- NEUTRAL WHITE (3500K)
- BRIGHT WHITE (4000K)
- DAYLIGHT (5000K)

GIMBAL



E26 Adapter included (S9001)

GU10 Adapter sold separately (S9000)

GU24 Adapter sold separately (S8999)

Pressure Bracket sold separately (80-2676)



Item	Description	Size	W	CCT Selectable	Lm	UPC	Pack
Round							
S11800R1*†	6.7WLED/RDL/4/CCT-SEL/120V	4"	6.7	2700K/3000K/3500K/4000K/5000K	600	045923947759	16
S11801R1*†	9WLED/RDL/5-6/CCT-SEL/120V	5/6"	9	2700K/3000K/3500K/4000K/5000K	800	045923947766	8
S11825R1*†	13.7WLED/RDL/5-6/CCT-SEL/120V	5/6"	13.7	2700K/3000K/3500K/4000K/5000K	1200	045923947773	8
Square							
S11820R1*†	6.7WLED/RDL/SQ/4/CCT-SEL/120V	4"	6.7	2700K/3000K/3500K/4000K/5000K	600	045923947780	24
S11821R1*†	9WLED/RDL/SQ/5-6/CCT-SEL/120V	5/6"	9	2700K/3000K/3500K/4000K/5000K	800	045923947797	8
Gimbal							
S11822*°	7.5WLED/DIR/4/60'/CCT-SEL/120V	4"	7.5	2700K/3000K/3500K/4000K/5000K	600	045923118227	8
S11824*°	10.5WLED/DIR/5-6/90'/CCT-SEL/120V	5/6"	10.5	2700K/3000K/3500K/4000K/5000K	800	045923118241	8

*Consult Satco or visit www.satco.com for an up-to-date dimmer compatibility list. See warranty for details.

Product sheet SA3024

CCT SELECTABLE LED DOWNLIGHT RETROFITS - COLOR TRIMS



Features

- 5 Selectable CCT settings
- 3 new trim finishes—
Black, bronze And brushed nickel
- 2 Sizes - 4" and 5/6"
- Standard recessed housings
- Wet location
- Dimmable
- Energy Star certified
- 50,000 hours

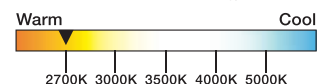


Color changeable - 5 color temperature settings



ColorQuick

Selectable Color Technology



CCT SELECTABLE LED DOWNLIGHT RETROFITS - COLOR TRIMS



E26 Adapter included (S9001)

GU10 Adapter sold separately (S9000)

GU24 Adapter sold separately (S8999)

Pressure Bracket sold separately (80-2676)



Item	Description	W	V	CCT Selectable	Beam	Lm	UPC	Pack
4"								
S11832R1	6.7WLED/RDL/4/CCT-SEL/120V/BL	6.7	120	2700K/3000K/3500K/4000K/5000K	90°	600	045923118326	16
S11833R1	6.7WLED/RDL/4/CCT-SEL/120V/BN	6.7	120	2700K/3000K/3500K/4000K/5000K	90°	600	045923118333	16
S11834R1	6.7WLED/RDL/4/CCT-SEL/120V/BZ	6.7	120	2700K/3000K/3500K/4000K/5000K	90°	600	045923118340	16
5/6"								
S11835R1	9WLED/RDL/5-6/CCT-SEL/120V/BL	9	120	2700K/3000K/3500K/4000K/5000K	90°	800	045923118357	8
S11836R1	9WLED/RDL/5-6/CCT-SEL/120V/BN	9	120	2700K/3000K/3500K/4000K/5000K	90°	800	045923118364	8
S11837R1	9WLED/RDL/5-6/CCT-SEL/120V/BZ	9	120	2700K/3000K/3500K/4000K/5000K	90°	800	045923118371	8

Product sheet SA2380

PLUS SERIES DOWNLIGHTS RETROFITS - COLOR TRIM GIMBALS - CCT SELECTABLE



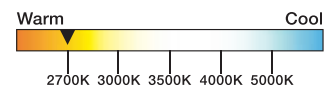
Features

- 5 Selectable CCT settings
- 3 New trim finishes—black, bronze and brushed nickel
- 2 Sizes—4" and 5/6" standard recessed housing
- IC rated
- Damp location
- 50,000 hours
- 5 year warranty



ColorQuick

Selectable Color Technology



PLUS SERIES DOWNLIGHTS RETROFITS - COLOR TRIM GIMBALS



S11854 / 4" BLACK



S11857 / 5-6" BLACK

Color changeable -
5 color temperature settings



S11855 / 4" BRUSHED NICKEL



S11858 / 5-6" BRUSHED NICKEL



S11856 / 4" BRONZE



S11859 / 5-6" BRONZE



E26 Adapter included
(S9001)

GU10 Adapter
sold separately (S9000)

GU24 Adapter
sold separately (S8999)

Torsion Springs
sold separately (80-2709)



Item	Description	W	Finish	CCT	Lm	Beam Angle	UPC	Pack
4"								
S11854	7.5WLED/DIR/4/60/CCT-SEL/120V/BL	7.5	BK	2700K/3000K/3500K/4000K/5000K	600	60°	045923118548	8
S11855	7.5WLED/DIR/4/60/CCT-SEL/120V/BN	7.5	BN	2700K/3000K/3500K/4000K/5000K	600	60°	045923118555	8
S11856	7.5WLED/DIR/4/60/CCT-SEL/120V/BZ	7.5	BR	2700K/3000K/3500K/4000K/5000K	600	60°	045923118562	8
5-6"								
S11857	10.5WLED/DIR/5-6/CCT-SEL/120V/BL	10.5	BK	2700K/3000K/3500K/4000K/5000K	800	90°	045923118579	8
S11858	10.5WLED/DIR/5-6/CCT-SEL/120V/BN	10.5	BN	2700K/3000K/3500K/4000K/5000K	800	90°	045923118586	8
S11859	10.5WLED/DIR/5-6/CCT-SEL/120V/BZ	10.5	BR	2700K/3000K/3500K/4000K/5000K	800	90°	045923118593	8

*Consult Satco or visit www.satco.com for an up to date dimmer compatibility list.

Product sheet SA2896

PRO SERIES LED RETROFIT DOWNLIGHTS DEEP STEPPED BAFFLE | FIELD SELECTABLE



Features:

- Field selectable (CCT & Wattage)
- Deep stepped baffle for reduced glare
- Offered in 4" & 5/6" sizes both round and square
- E26 adapter included
- Wet location rated
- Optional color trims sold separately



PRO SERIES LED RETROFIT DOWNLIGHTS DEEP STEPPED BAFFLE | FIELD SELECTABLE



CCT Selectable



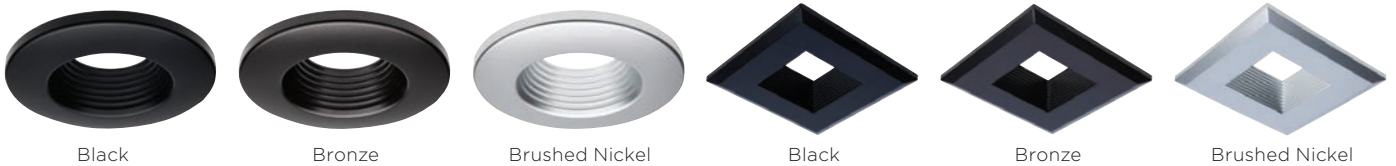
Wattage Selectable



Item	Description	Size	W	V	CCT Selectable	Lm	UPC	Pack
Round								
S11882	9.5WLED/DLR/4/WS/5CCT/RD/DB	4.00	5.8/7/9.5	120V	2700K/3000K/3500K/4000K/5000K	600/750/900	045923118821	16
S11883	13.5WLED/DLR/5-6/WS/5CCT/RD/DB	6.00	8/10.5/13.5	120V	2700K/3000K/3500K/4000K/5000K	800/1000/1200	045923118838	8
Square								
S11884	9.5WLED/DLR/4/WS/5CCT/SQ/DB	4.00	5.8/7/9.5	120V	2700K/3000K/3500K/4000K/5000K	600/750/900	045923118845	16
S11885	13.5WLED/DLR/5-6/WS/5CCT/SQ/DB	6.00	8/10.5/13.5	120V	2700K/3000K/3500K/4000K/5000K	800/1000/1200	045923118852	8

*Visit www.satco.com for an up to date dimmer compatibility list

Product sheet SNI512



DEEP BAFFLE TRIMS

Item	Description	Size	For Use With	Finish
80-974	Deep Baffle 4" Round Trim - Black		S11882	Black
80-975	Deep Baffle 4" Round Trim - Bronze		S11882	Bronze
80-976	Deep Baffle 4" Round Trim - Brushed Nickel		S11882	Brushed Nickel
80-977	Deep Baffle 5/6" Round Trim - Black		S11883	Black
80-978	Deep Baffle 5/6" Round Trim - Bronze		S11883	Bronze
80-979	Deep Baffle 5/6" Round Trim - Brushed Nickel		S11883	Brushed Nickel
80-990	Deep Baffle 4" Square Trim - Black		S11884	Black
80-991	Deep Baffle 4" Square Trim - Bronze		S11884	Bronze
80-992	Deep Baffle 4" Square Trim - Brushed Nickel		S11884	Brushed Nickel
80-993	Deep Baffle 5/6" Square Trim - Black		S11885	Black
80-994	Deep Baffle 5/6" Square Trim - Bronze		S11885	Bronze
80-995	Deep Baffle 5/6" Square Trim - Brushed Nickel		S11885	Brushed Nickel

Product sheet SNI512

PERFORMER SERIES DOWNLIGHT RETROFITS - SMOOTH TRIM CCT-SELECTABLE



Features:

- Direct replacement for reflector lamps
- High efficiency/environmentally friendly
- Dimmable*
- Wet location
- c-UL-us classified
- Long life—35,000 hours
- ENERGY STAR® certified
- 3 year warranty



E26 Adapter included

PERFORMER SERIES DOWNLIGHT RETROFITS - SMOOTH TRIM CCT-SELECTABLE



S12604



S12601

LED Quick Connect



5 CCT Selectable Switch

- WARM WHITE - 2700K
- SOFT WHITE - 3000K
- NEUTRAL WHITE - 3500K
- COOL WHITE - 4000K
- NATURAL LIGHT - 5000K



Item	Description	W	V	Finish	Lm	CRI	Beam	Height (in.)	Diameter (in.)	Life (hrs.)	UPC	Pack
S12600	6WLED/DLR/4/5CCT/E/RND/WH	6.5	120	WH	600	90	90°	1.48	5.3	50K	045923126000	12
S12601	6WLED/DLR/4/5CCT/E/SQ/WH	6.5	120	WH	600	90	90°	1.35	5.3	50K	045923126017	12
S12602	8WLED/DLR/5-6/5CCT/E/RND/WH	7.5	120	WH	650	90	90°	1.84	7.36	50K	045923126024	12
S12603	8WLED/DLR/5-6/5CCT/E/SQ/WH	7.5	120	WH	650	90	90°	1.43	7.36	50K	045923126031	12
S12604	10WLED/DLR/5-6/5CCT/E/RND/WH	9.5	120	WH	900	90	90°	1.84	7.36	50K	045923126048	12
S12605	10WLED/DLR/5-6/5CCT/E/SQ/WH	9.5	120	WH	900	90	90°	1.43	7.36	50K	045923126055	12

*Consult Satco or visit www.satco.com for an up-to-date dimmer compatibility list. See warranty for details.

Product sheet SN1760

DOWNLIGHT RETROFIT - VALUE PACK



Features:

- 6 piece pack For value & convenience
- Easy to install
- 5/6" 65W replacement
- 4" 45W replacement
- Energy Star certified
- Damp location
- CA compliant: T20, T24
- 3 year warranty†

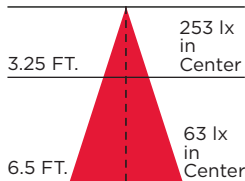


DOWNLIGHT RETROFIT - VALUE PACK



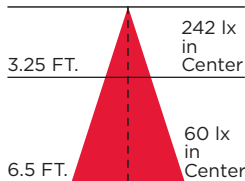
E26 Adapter included.
These retrofits are for use with recessed housings with an E26 socket only.

ILLUMINATION 8.7W
CCT 3000K
Beam Angle: 102°



Suitable Can Dimension	
Type:	4 Inch
Min. Height	5.6"
Diameter	3.93" Min.

ILLUMINATION 9.2W
CCT 3000K
Beam Angle: 102°



Suitable Can Dimension	
Type:	5/6 Inch
Min. Height	7.5"
Diameter	5.2" Min.



S11640



S11641



Item	Description	W	V	CRI	CCT	Lm	Life/Hrs.	UPC	Pack
LED Downlight Retrofit 6 packs									
S11640	8.7WLED/RDL/4/930/120V/6PK	8.7W	120V	90	3000K	600	35K	045923116407	4/6pk
S11641	9.2WLED/RDL/5-6/930/120V/6PK	9.2W	120V	90	3000K	650	35K	045923116414	3/6pk

*Consult Satco or visit www.satco.com for an up-to-date dimmer compatibility list. †S11640 & S11641 5 year warranty
See warranty for details.

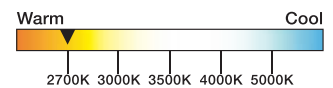
Product sheet SA2732

RECESSED DOWNLIGHT WITH NIGHT LIGHT

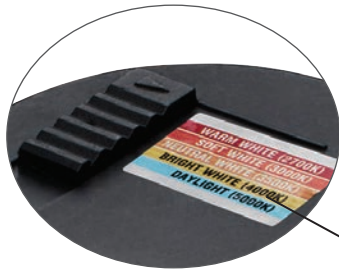


Features:

- Integrated night light
- 65w incandescent replacement
- 5 CCT selectable
- Installs In 5/6" recessed housing
- Dual mode (standard and night)
- Dimmable (standard light mode)
- Replaces 45W and 65W reflectors



LED RETROFIT DOWNLIGHT CCT SELECTABLE | STEPPED BAFFLE | WITH NIGHT LIGHT



Color Selection Switch
 Warm white 2700K
 Soft White 3000K
 Neutral White 3500K
 Bright White 4000K
 Daylight 5000K



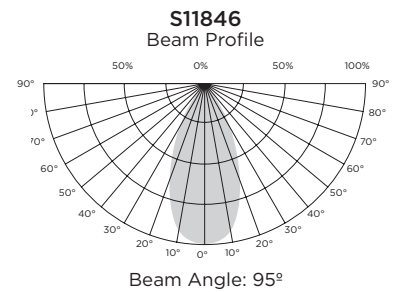
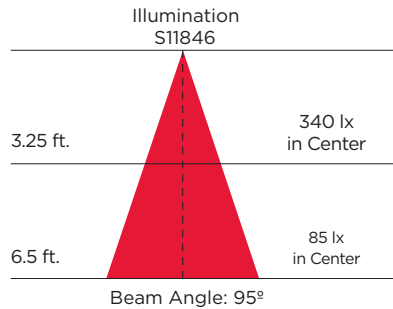
Night Light Ring
 Toggle light switch to activate night light mode.



E26 Connector included

GU24 Adapter
 sold separately (S8999)

Pressure Bracket
 sold separately (80-2676)



Item	Description	Size	W	CCT Selectable	Lm	UPC	Pack
S11846	Integrated LED Recessed Downlight with Night Light Feature	5/6"	9	2700K/3000K/3500K/4000K/5000K	800	045923118463	8
	Night Light Mode			2200K	150		

Product sheet SA2934

LED READY RECESSED CAN

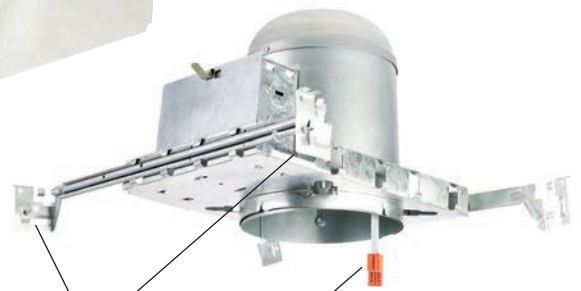


Features:

- Air tight rated
- Damp locations
- cETLus rated



REMODEL

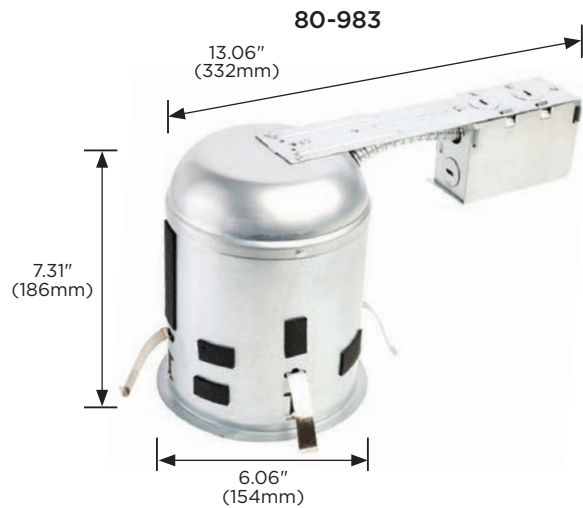
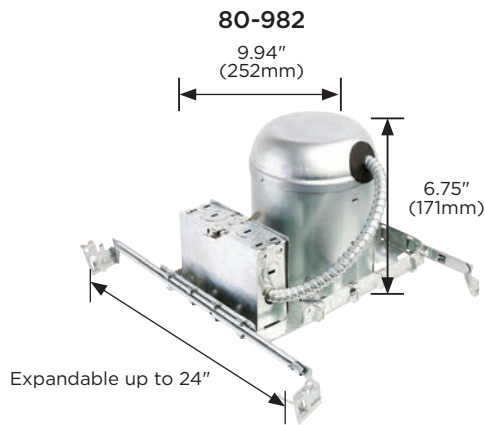
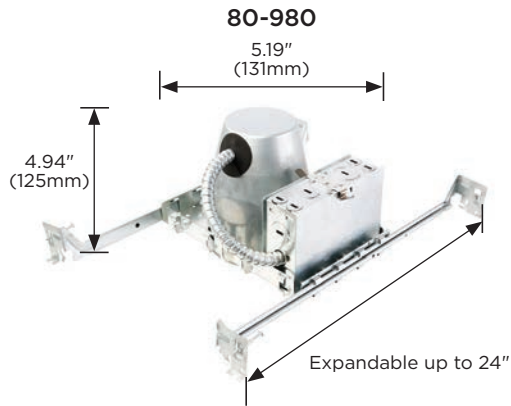


Expandable Hangers
up to 24"

LED Ready
Pull-Apart Connection

NEW CONSTRUCTION

LED READY RECESSED CAN



Dimensions

Item	Height	Length	Width
80-980	4.94"	8.125"	5.19"
80-981	5.56"	11.81"	4.75"
80-982	6.75"	9.94"	6.88"
80-983	7.31"	13.06"	6.06"
80-988	7.52"	10.79"	6.85"
80-989	7.72"	13.46"	6.77"



Item	Description	UPC	Case Quantity
80-980	4" Recessed Can for New Construction	045923809804	6
80-981	4" Recessed Can for Remodel	045923809811	6
80-982	5" Recessed Can for New Construction	045923809828	6
80-983	5" Recessed Can for Remodel	045923809835	6
80-988	6" Recessed Can; For New Construction	045923809880	6
80-989	6" Recessed Can; For Remodeling	045923809897	6

*Consult Satco or visit www.satco.com for an up-to-date dimmer compatibility list. See warranty for details.

Product sheet SA2993

LED RETROFIT DOWNLIGHT CCT SELECTABLE | STEPPED BAFFLE | 12V



Features:

- CCT selectable
- Non-conductive dead-front trim
- Stepped baffle for reduced glare
- Dimmable
- GU5.3 bi-pin base for MR16 retrofits



Pin Connector



Item	Description	W	V	CRI	CCT	Lm	Beam	Trim Finish	Trim Size (in.)	Life (hrs.)	UPC	Pack
S11838	6.5WLED/DLR/BFL/4/CCT-SEL/12V	6.5	12	90	2700K/3000K/3500K/4000K/5000K	600	85°	MWH	5.31	50K	045923118388	12

Product sheet SN1454

QUICK TRIM™ 4", 5"/6" LED RECESSED DOWNLIGHT RETROFIT 2-PACKS



Features:

- Direct replacement for reflector lamps
- Dimmable*
- Damp location listed
- Long life—25,000 hours
- ENERGY STAR® certified
- 3 year warranty



Extends to reach the socket.
Retracts to meet the surface.



STEP 1
Screw lamp
into existing
socket.



STEP 2
Push into the fixture
until the trim is flush
against surface.



	4"	5"-6"
1m	340 lx in Center	420 lx in Center
2m	85 lx in Center	100 lx in Center

Beam Angle: 110°
(S9598 15°)



Item	Description	W	V	CRI	CCT	Lm	Beam	Trim Finish	Trim Size (in.)	Life (hrs.)	UPC	Pack
S29598	8.5WLED/4"TRIM/5CCT/120V/2PK	8.5	120	80	2700K/3000K/3500K/4000K/5000K	500	110°	WH	4.00	25K	045923295980	12/2pk
S29599	12WLED/5-6"TRIM/5CCT/120V/2PK	12	120	80	2700K/3000K/3500K/4000K/5000K	800	110°	WH	5.00-6.00	25K	045923295997	12/2pk

*Consult Satco or visit www.satco.com for an up to date dimmer compatibility list.

Product sheet SA1965

LED FILAMENT HID REPLACEMENT LAMPS



Features:

- Type B - Ballast Bypass
- Range voltage 120-277
- 360° illumination
- Up to 4KV surge protection

Applications:

- Warehouses
- Gymnasium
- Post top lamps
- Area lighting



S13195



Wattage Selectable
CCT Selectable



S13196



Wattage Selectable



S13197



Wattage Selectable



Item	Description	W	V	Bulb Shape	Base	Finish	CCT	Lm	CRI	MOL (in.)	MOD (in.)	Life (hrs.)	UPC	Pack
S13195	25W/LED/HID/ED28/CCT/EX39/CL	17/20.5/25	120-277	ED28	EX39	CL	3000K/4000K/5000K	3100/3700/4500	80	9.92	3.58	50K	045923131950	12
S13196	45W/LED/HID/ED28/850/EX39/CL	30/38/45	120-277	ED28	EX39	CL	5000K	5850/7400/8750	80	9.92	3.58	15K	045923131967	12
S13197	85W/LED/HID/ED37/850/EX39/CL	60/68/65	120-277	ED37	EX39	CL	5000K	11700/13200/16500	80	11.5	4.76	15K	045923131974	12

*Non-Dimmable ~See warranty for details at www.satco.com

Product sheet SN1718

LED FILAMENT HID REPLACEMENT LAMPS (CONT.)



Features:

- Range Voltage 120-277
- Ballast Bypass Type B
- 4kV integrated surge protection
- Resembles the true look and design of traditional HID lamps
- Suggested applications
 - Streetlights
 - Warehouses
 - Retail
 - Post top
 - Area lighting
 - Gymnasiums



Item	Description	W	V	Bulb Shape	Base	Finish	CCT	Lm	CRI	MOL (in.)	MOD (in.)	Life (hrs.)	UPC	Pack
S13180	13.5W/LED/HID/ED17/822/E26/CL	13.5	120-277	ED17	E26	CL	2200K	1700	80	5.80	2.13	50K	045923131806	20
S13181	13.5W/LED/HID/ED17/840/E26/CL	13.5	120-277	ED17	E26	CL	4000K	2000	80	5.80	2.13	50K	045923131813	20
S13182	15W/LED/HID/ED17/850/E26/WH	15	120-277	ED17	E26	WH	5000K	2000	80	5.80	2.13	50K	045923131820	20
S13183	23W/LED/HID/ED23.5/822/E26/CL	23	120-277	ED23.5	E26	CL	2200K	3400	80	7.60	2.95	50K	045923131837	12
S13184	23W/LED/HID/ED23.5/840/E26/CL	23	120-277	ED23.5	E26	CL	4000K	4000	80	7.60	2.95	50K	045923131844	12
S13185	24W/LED/HID/ED23.5/850/E26/WH	24	120-277	ED23.5	E26	WH	5000K	4000	80	7.60	2.95	50K	045923131851	12
S13186	28W/LED/HID/ED28/822/EX39/CL	28	120-277	ED28	EX39	CL	2200K	4200	80	8.40	3.54	50K	045923131868	12
S13187	28W/LED/HID/ED28/840/EX39/CL	28	120-277	ED28	EX39	CL	4000K	5000	80	8.40	3.54	50K	045923131875	12
S13188	34W/LED/HID/ED28/850/EX39/WH	34	120-277	ED28	EX39	WH	5000K	5000	80	8.40	3.54	50K	045923131882	12
S13189	34W/LED/HID/ED28/840/EX39/CL	34	120-277	ED28	EX39	CL	4000K	6000	80	8.40	3.54	50K	045923131899	12
S13198	40W/LED/HID/ED28/830/EX39/WH	40	120-277	ED28	EX39	WH	3000K	6000	80	8.40	3.54	50K	045923131981	12
S13190	40W/LED/HID/ED28/850/EX39/WH	40	120-277	ED28	EX39	WH	5000K	6000	80	8.40	3.54	50K	045923131905	12
S13191	40W/LED/HID/ED37/840/EX39/CL	40	120-277	ED37	EX39	CL	4000K	7500	80	10.30	4.70	50K	045923131912	6
S13192	45W/LED/HID/ED37/850/EX39/WH	45	120-277	ED37	EX39	WH	5000K	7500	80	10.30	4.70	50K	045923131929	6
S13193	56W/LED/HID/ED37/840/EX39/CL	56	120-277	ED37	EX39	CL	4000K	10000	80	10.30	4.70	50K	045923131936	6
S13194	62W/LED/HID/ED37/850/EX39/WH	62	120-277	ED37	EX39	WH	5000K	10000	80	10.30	4.70	50K	045923131943	6

*Non-Dimmable *See warranty for details at www.satco.com

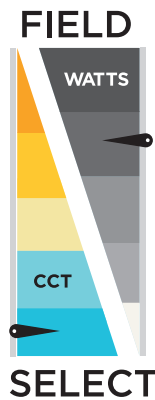
Product sheet SN1706

WATTAGE & CCT SELECTABLE HI-PRO LAMPS

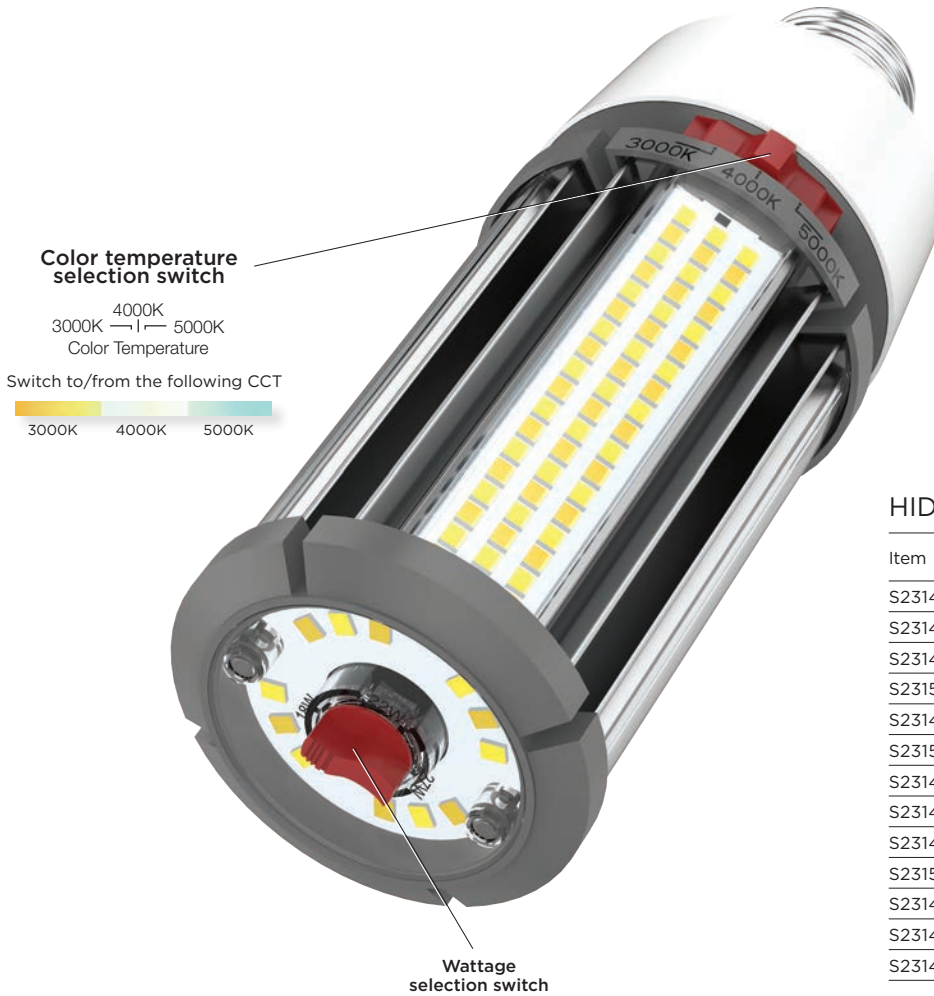


Features:

- Built in sensor port for additional control options
- Dedicated wattage to ensure proper size lamp for the fixture
- CCT selectable
- Advanced thermal management
- 4kV built-in surge protection
- Enclosed rated
- Damp location
- DLC certified
- Long-life - 50,000 hours



WATTAGE & CCT SELECTABLE HI-PRO LAMPS



HID WATTAGE EQUIVALENTS

Item	HID High Watt Eq.	HID Med. Watt Eq.	HID Low Watt Eq.
S23146	18W=75W	16W=50W	12W=40W
S23147	22W=100W	18W=75W	16W=50W
S23148	27W=125W	22W=100W	18W=75W
S23151	27W=125W	22W=100W	18W=75W
S23149	36W=150W	27W=125W	18W=75W
S23152	36W=150W	27W=125W	18W=75W
S23140	45W=175W	36W=150W	27W=125W
S23141	45W=175W	36W=150W	27W=125W
S23142	54W=200W	45W=175W	36W=150W
S23150	63W=250W	54W=200W	45W=175W
S23143	80W=320W	63W=250W	54W=200W
S23144	100W=400W	80W=320W	63W=250W
S23145	120W=600W	100W=400W	80W=320W



Item	Description	W Selectable	V	Base Type	CCT Selectable	Lm/Wattage High/Med/Low	M.O.L. (in.)	UPC	Pack
S23146	18W/LED/HID/CCT/E26	18/16/12	100-277	E26	3000K/4000K/5000K	2520/2240/1680	6.29	045923231469	24
S23147	22W/LED/HID/CCT/E26	22/18/16	100-277	E26	3000K/4000K/5000K	3080/2520/2240	6.89	045923231476	24
S23148	27W/LED/HID/CCT/E26	27/22/18	100-277	E26	3000K/4000K/5000K	3780/3080/2520	6.89	045923231483	24
S23151*	27W/LED/HID/CCT/EX39	27/22/18	100-277	EX39	3000K/4000K/5000K	3780/3080/2520	7.48	045923231513	24
S23149	36W/LED/HID/CCT/E26	36/27/18	100-277	E26	3000K/4000K/5000K	5040/3780/2520	8.27	045923231490	24
S23152*	36W/LED/HID/CCT/EX39	36/27/18	100-277	EX39	3000K/4000K/5000K	5040/3780/2520	8.50	045923231520	24
S23140	45W/LED/HID/CCT/E26	45/36/27	100-277	E26	3000K/4000K/5000K	6300/5040/3780	9.45	045923231407	12
S23141*	45W/LED/HID/CCT/EX39	45/36/27	100-277	EX39	3000K/4000K/5000K	6300/5040/3780	9.69	045923231414	12
S23142*	54W/LED/HID/CCT/EX39	54/45/36	100-277	EX39	3000K/4000K/5000K	7560/6300/5040	9.69	045923231421	12
S23150*	63W/LED/HID/CCT/EX39	63/54/45	100-277	EX39	3000K/4000K/5000K	8820/7560/6300	10.28	045923231506	12
S23143*	80W/LED/HID/CCT/EX39	80/63/54	100-277	EX39	3000K/4000K/5000K	11200/8820/7560	9.96	045923231438	4
S23144*	100W/LED/HID/CCT/EX39	100/80/63	100-277	EX39	3000K/4000K/5000K	14000/11200/8820	10.55	045923231445	4
S23145*	120W/LED/HID/CCT/EX39	120/100/80	100-277	EX39	3000K/4000K/5000K	16800/14000/11200	11.33	045923231452	4

*360° beam spread

Product sheet SA2853

HI LUMEN HI PRO RANGE VOLTAGE LAMPS



Features:

- Field selectable (CCT and wattage)
- Very high lumen output
- Type B ballast bypass
- Integrated active cooling fan for advanced thermal management
- Safety cable and support bracket Included*



*Select Models

HI LUMEN HI PRO RANGE VOLTAGE LAMPS



S23134



S23135



S23138



Wattage Selectable Switch



CCT Color Selectable Switch



Active Cooling Fan



Support Bracket
(Not included with S23134)



Item	Description	HID Equiv.	W	V	Base	CCT	Lm	CRI	MOL (in.)	MOD (in.)	Life (hrs.)	Pack
S23134	150W/LED/CCT/100-277V/EX39	450	150/115/80	120-277	EX39	3000K/4000K/5000K	23045/24812/24074	80+	8.3	4.1	50K	12
S23135	200W/LED/CCT/100-277V/EX39	500	200/150/100	120-277	EX39	3000K/4000K/5000K	31203/33380/32829	80+	10.6	5.6	50K	6
S23136	270W/LED/CCT/100-277V/EX39	600	270/200/135	120-277	EX39	3000K/4000K/5000K	41911/45330/44903	80+	12.3	5.6	50K	6
S23137	270W/LED/CCT/277-480V/EX39	600	270/200/135	277-480	EX39	3000K/4000K/5000K	42426/45869/45191	80+	12.3	5.6	50K	6
S23138	360W/LED/CCT/277-480V/EX39	750	360/270/180	277-480	EX39	3000K/4000K/5000K	54766/59004/57783	80+	12.3	5.6	50K	6
S23139	450W/LED/CCT/277-480V/EX39	1000	450/338/225	277-480	EX39	3000K/4000K/5000K	68132/73158/71570	80+	12.3	5.6	50K	6

Product sheet SN1770

HI-PRO LED LAMPS - SINGLE CCT



Features:

- High lumen per watt ratio
- Superior LED light output
- Enclosed fixture rated
- Advanced thermal management
- Damp location



HI-PRO LED LAMPS - SINGLE CCT



Item	Description	W	V	Base Type	CCT	Lm	HID Equivalent	CRI	KV Surge Protection	Life/Hrs.	M.O.L. (In.)	UPC	Pack
S49670	18W/LED/HP/827/E26	18	100-277	E26	2700	2340	70W	80	2KV	35K	5.45	045923496707	24/12
S49390	18W/LED/HP/850/E26	18	100-277	E26	5000	2484	70W	80	2KV	35K	5.45	045923493904	24/12
S49671	22W/LED/HP/827/E26	22	100-277	E26	2700	2860	100W	80	2KV	35K	5.71	045923496714	24/12
S49391	22W/LED/HP/850/E26	22	100-277	E26	5000	3036	100W	80	2KV	35K	5.71	045923493911	24/12
S49672	36W/LED/HP/827/E26	36	100-277	E26	2700	4680	150W	80	3KV	35K	7.16	045923496721	12
S49392	36W/LED/HP/850/E26	36	100-277	E26	5000	4968	150W	80	3KV	35K	7.16	045923493928	12
S49738	45W/LED/HP/840/E26	45	100-277	E26	4000	6165	175W	80	3KV	35K	7.78	045923497384	12
S49739	45W/LED/HP/850/E26	45	100-277	E26	5000	6210	175W	80	3KV	35K	7.78	045923497391	12
S49673	45W/LED/HP/840/EX39	45	100-277	EX39	4000	6165	175W	80	3KV	35K	8.06	045923496738	12
S49393	45W/LED/HP/850/EX39	45	100-277	EX39	5000	6210	175W	80	3KV	35K	8.06	045923493935	12
S49674	54W/LED/HP/840/EX39	54	100-277	EX39	4000	7398	250W	80	3KV	35K	8.78	045923496745	12
S49394	54W/LED/HP/850/EX39	54	100-277	EX39	5000	7452	250W	80	3KV	35K	8.78	045923493942	12
S49675	80W/LED/HP/840/EX39	80	100-277	EX39	4000	10960	320W	80	4KV	35K	8.69	045923496752	4
S49395	80W/LED/HP/850/EX39	80	100-277	EX39	5000	11040	320W	80	4KV	35K	8.69	045923493959	4
S49676	100W/LED/HP/840/EX39	100	100-277	EX39	4000	13700	400W	80	4KV	35K	9.67	045923496769	4
S49396	100W/LED/HP/850/EX39	100	100-277	EX39	5000	13800	400W	80	4KV	35K	9.67	045923493966	4
S49677	120W/LED/HP/840/EX39	120	100-277	EX39	4000	16440	600W	80	4KV	35K	10.26	045923496776	4
S49397	120W/LED/HP/850/EX39	120	100-277	EX39	5000	16560	600W	80	4KV	35K	10.26	045923493973	4

*See warranty for details at www.satco.com. Lamp life may vary depending on application and use.

Product sheet SA2553

HI-PRO CCT SELECTABLE HIGH VOLTAGE LAMPS 277-480V



Features:

- CCT selectable-3,000K,4,000K, 5,000K
- 277-347V and 277-480V options
- Sensor port on all 480 volt versions
- Enclosed fixture rated
- Advanced thermal management
- Damp location
- 4kV built in surge protection
- 50,000 hours



HI-PRO CCT SELECTABLE HIGH VOLTAGE LAMPS 277-480V



AVAILABLE HI-PRO SENSORS



COLOR TEMPERATURE/LUMENS

Item	CCT Selectable	Lumens Low/High/Med
S23160	3000-4000-5000	2340-2520-2430
S23161	3000-4000-5000	3510-3780-3645
S23162	3000-4000-5000	4680-5040-4860
S23163	3000-4000-5000	5850-6300-6075
S23164	3000-4000-5000	4680-5040-4860
S23165	3000-4000-5000	5850-6300-6075
S23166	3000-4000-5000	7020-7560-7290
S23167	3000-4000-5000	10400-11200-10800
S23168	3000-4000-5000	13000-14000-13500



Item	Description	Watts	V	Base Type	CRI	Life/Hrs.	M.O.L. (In.)	UPC	Pack
S23160	18W/LED/HID/CCT/E26	18	277-347	E26	80	50K	6.22	045923231605	24/12
S23161	27W/LED/HID/CCT/E26	27	277-347	E26	80	50K	6.76	045923231612	24/12
S23162	36W/LED/HID/CCT/E26	36	277-480	E26	80	50K	7.73	045923231629	12
S23163	45W/LED/HID/CCT/E26	45	277-480	E26	80	50K	8.91	045923231636	12
S23164†	36W/LED/HID/CCT/EX39	36	277-480	EX39	80	50K	8.35	045923231698	12
S23165†	45W/LED/HID/CCT/EX39	45	277-480	EX39	80	50K	9.53	045923231650	12
S23166†	54W/LED/HID/CCT/EX39	54	277-480	EX39	80	50K	9.53	045923231667	12
S23167†	80W/LED/HID/CCT/EX39	80	277-480	EX39	80	50K	9.88	045923231674	4
S23168†	100W/LED/HID/CCT/EX39	100	277-480	EX39	80	50K	10.46	045923231681	4

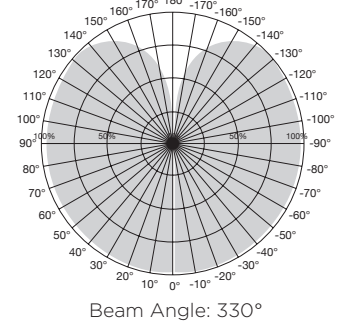
Item	Description	UPC
80-954	Hi-Pro Wi-Fi Module - (Satco STARFISH in the App store)	045923809545
80-955	Hi-Pro Motion Sensor - Infra-Red - Standby bi-level dimming	045923809552
80-956	Hi-Pro Photocell - On/Off with adjustable settings for daylight and timers	045923809563
80-957	Hi-Pro Microwave motion sensor - On/Off with standby dimming option	045923809576

Product sheet SA2903

HI-PRO LED 12-24V LOW VOLTAGE LAMPS

Features:

- Replaces HID, CFL, and incandescent
- Approved for totally enclosed fixtures ^
- IP64/IP65
- 5000K
- Long life—50,000 hours
- 5 year limited warranty



Item	Description	HID Equiv.	W	V	Base	CCT	Lm	CRI	MOL (in.)	MOD (in.)	Life (hrs.)	UPC	Pack
S9753	10W/LED/HID/5000K/12V-24V E26	30	10	12-24	E26	5000K	1200	80+	5.81	2.44	50K	045923097539	48/1
S9754	14W/LED/HID/5000K/12V-24V E26	50	14	12-24	E26	5000K	1680	80+	6.19	2.88	50K	045923097546	48/1
S9755	18W/LED/HID/5000K/12V-24V E26	70	18	12-24	E26	5000K	2160	80+	7.00	2.88	50K	045923097553	48/12

^ See warranty for details at www.satco.com. Lamp life may vary depending on application and use.

Product sheet SA2609

HI-PRO LED POST TOP LAMPS

Features:

- For use in any post top fixture to provide light out and down only
- Direct wire (ballast by-pass) 100-277V / E26
- Approved for enclosed fixtures ^
- Long life—50,000 hours
- 5 year limited warranty



Controls light pollution



Item	Description	HID Equiv.	W	V	Base	CCT	Lm	CRI	MOL (in.)	MOD (in.)	Life (hrs.)	UPC	Pack
S9779	40W/LED/HID/PT/3000K/100-277V	175	40	100-277	E26	3000K	5000	80+	5.50	5.13	50K	045923097799	12/1

Accessories

92-410	Mog to Med Socket Reducer											045923924101	
80-929	Hard Wire Surge Protector											045923809293	

^ See warranty for details at www.satco.com

Product sheet SA2107

HI-PRO LED MULTI-BEAM LAMPS

Features:

- Replaces HID, CFL, and incandescent
- Direct wire range voltage 100-277V
- Approved for totally enclosed fixtures[^]
- High bay, low bay, hanging sockets, and post top
- 2700K or 5000K
- Multi-directional
- Light panels lock into place creating 3 separate beam angle options
- Long life—50,000 hours
- 5 year limited warranty



260° Beam



120° Beam



150° Beam



Item	Description	HID Equiv.	W	V	Base	CCT	Lm	CRI	MOL (in.)	MOD (in.)	Life (hrs.)	UPC	Pack
S39768	30W/LED/HID/MB-G3/27K/100-277V	150	30	100-277	E26	2700K	3840	80	6.69	3.31	50K	045923397684	24/6
S39750	30W/LED/HID/MB-G3/50K/100-277V	150	30	100-277	E26	5000K	4200	80	6.69	3.31	50K	045923397509	24/6
S39798	40W/LED/HID/MB-G3/27K/100-277V	175	40	100-277	EX39	2700K	5120	80	7.24	3.31	50K	045923397981	12/6
S39751	40W/LED/HID/MB-G3/50K/100-277V	175	40	100-277	EX39	5000K	5600	80	7.24	3.31	50K	045923397516	12/6
S39799	60W/LED/HID/MB-G3/27K/100-277V	250	60	100-277	EX39	2700K	7680	80	7.76	4.08	50K	045923397998	12/6
S39752	60W/LED/HID/MB-G3/50K/100-277V	250	60	100-277	EX39	5000K	8400	80	7.76	4.08	50K	045923397523	12/6
S39769	75W/LED/HID/MB-G3/50K/100-277V	400	75	100-277	EX39	5000K	10500	80	8.46	4.08	50K	045923397691	12/6
S39679	90W/LED/HID/MB-G3/50K/100-277V	600	90	100-277	EX39	5000K	12600	80	9.84	4.41	50K	045923396793	6/1

Accessories

86-215	Hi-Pro Motion Sensor/PIR (Passive Infrared)											045923862151	
80-929	Hard Wire Surge Protector - 10kV											045923809293	
92-410	Mog to Med Socket Reducer for S39750 and S39768											045923924101	

[^]See warranty for details at www.satco.com

Product sheet SA2678



Item	Description	Max. W	Max. V.	UPC	Pack
90-483	Keyless Mogul Lamp Holder	1500	600	045923904837	0

60W LED MULTI-BEAM UTILITY LIGHT WITH & WITHOUT MOTION SENSOR

Features:

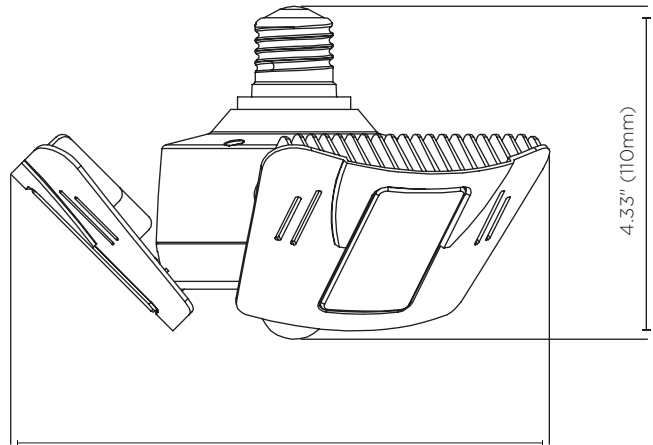
- Replaces high-wattage HID CFL & incandescent lamps, but uses only 60 watts
- LED panels adjust to 135° and a full 180°
- Rugged construction
- Built-in motion sensor option
- E26 medium base
- Direct wire range voltage 100-277V
- Damp location
- c-UL-us Listed
- 3 year warranty

Applications:

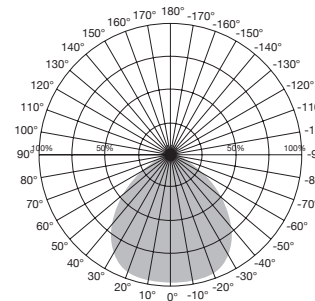
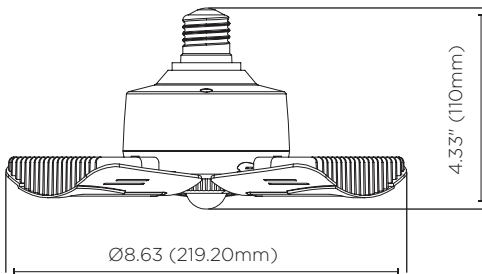
- Garage
- Barn
- Workshop
- Shed
- Utility room
- Large open spaces



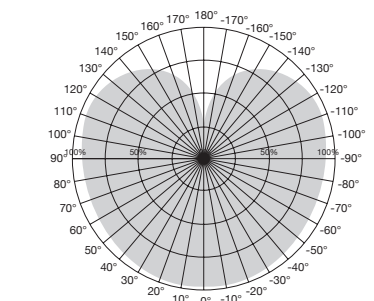
270° Beam



120° Beam



Beam Angle: 120°



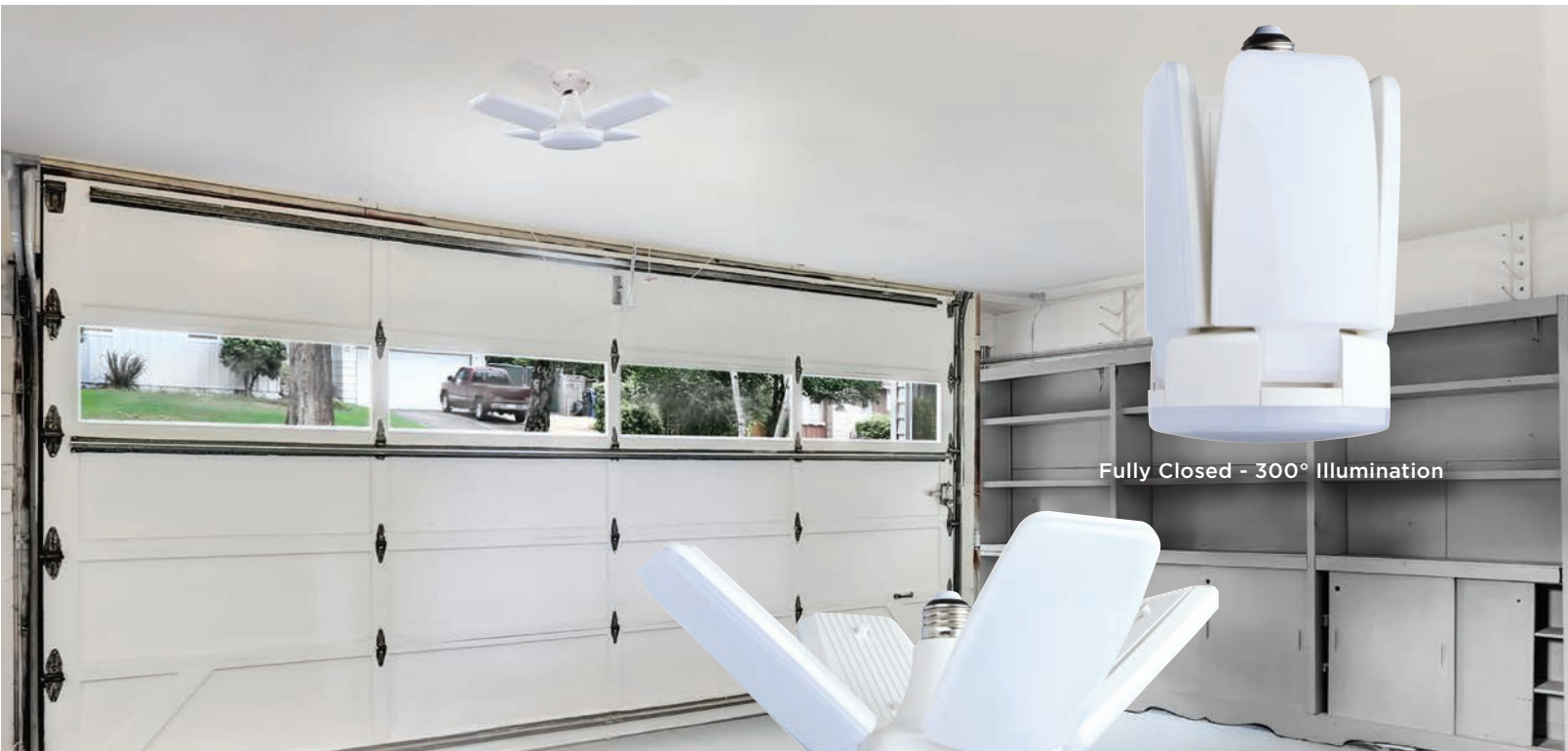
Beam Angle: 270°



Item	Description	HID Equiv.	W	V	Base	CCT	Lm	CRI	MOL (in.)	MOD (in.)	Life (hrs.)	UPC	Pack
S13118	60W/LED/UTL/MB/4000K	175	60	100-277	E26	4000K	5880	80	4.06	8.63	50K	045923131189	12/1
S13119	60W/LED/UTL/MB/4000K/MOTION	175	60	100-277	E26	4000K	5880	80	4.33	8.63	50K	045923131196	12/1

Product sheet SA2320

ADJUSTABLE LED UTILITY AND GARAGE LIGHT



Fully Closed - 300° Illumination



Half Open - 240° Illumination

Features:

- Omni-directional light Output
- Adjustable beam angle 100° - 300°
- 3" extension included

Applications:

- Indoor residential
- Garages
- Workshops



3" Extension included

Fully Open - 100° Illumination



4-Color Packaging for Point of Sale Purchase Opportunities



Item	Description	W	V	Base Type	CCT	Lumens	CRI	Life/Hrs.	M.O.L. (In.)	M.O.D. (In.)	UPC	Pack
S13146	30W/LED/UTL/MB/5000K	30	120	E26	5000K	3000	80	50K	4.5	13.98	045923131462	24/1
S13147	60W/LED/UTL/MB/5000K	60	120	E26	5000K	6000	80	50K	4.57	13.98	045923131479	24/1

Product sheet SNI698

HI-PRO 360

Features:

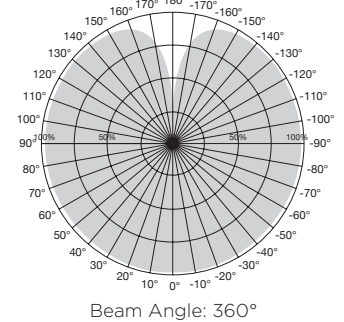
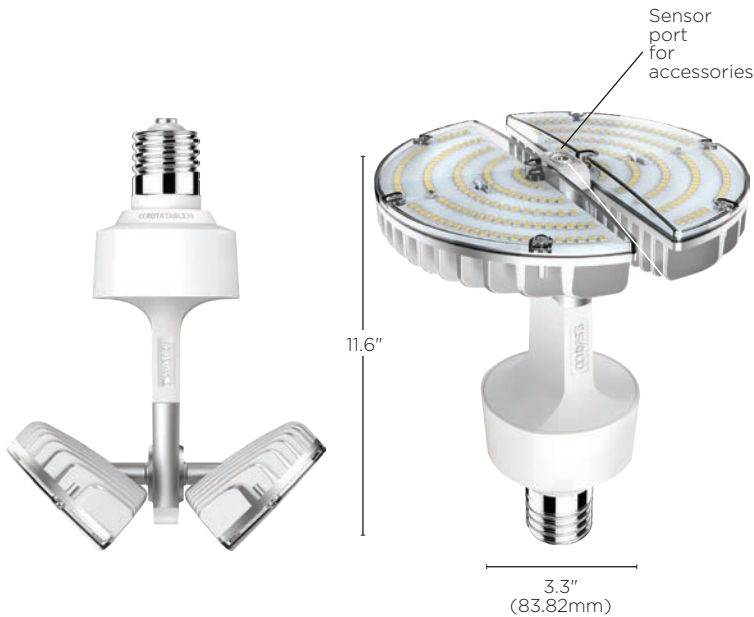
- Multi-angle rotating LED lamp with folding panel design
- Replaces HID, CFL, and incandescent
- Direct wire range voltage 100-277V
- Approved for totally enclosed fixtures[^]
- 2700K 4000K or 5000K options
- Built-in 4kV surge protection
- EX39 base
- IP64/Damp location
- Long life—50,000 hours
- 5 year limited warranty

Application:

- Indoor/outdoor direct replacement
- Street lamps/shoe box
- High bays/low bays
- Parking garages
- Commercial and industrial security
- Gymnasiums and other high ceiling applications
- Outdoor canopies



Up, down, tilt, angle one side or both—almost unlimited lighting options



Item	Description	HID Equiv.	W	V	Base	CCT	Lm	CRI	MOL (in.)	MOD (in.)	Life (hrs.)	UPC	Pack
S13120	70W/LED/HID/HP360/827/100-277V	250	70	100-277	EX39	2700K	10500	80+	11.59	7.00	50K	045923131202	8/1
S13121	70W/LED/HID/HP360/840/100-277V	250	70	100-277	EX39	4000K	10500	80+	11.59	7.00	50K	045923131219	8/1
S13122	70W/LED/HID/HP360/850/100-277V	250	70	100-277	EX39	5000K	10500	80+	11.59	7.00	50K	045923131226	8/1
S13127	100W/LED/HID/HP360/850/100-277V	350	100	100-277	EX39	5000K	15000	80+	12.35	4.60	50K	045923131271	4/1

Accessories

80-929	Hard Wire Surge Protector - 10kV											045923809293	
80-954 [†]	Hi-Pro Wi-Fi Module - (Satco in the App store)											045923809545	
80-956	Hi-Pro Photocell - On/Off with adjustable settings for daylight and timers											045923809563	
80-957	Hi-Pro Microwave motion sensor - On/Off with standby dimming option											045923809576	

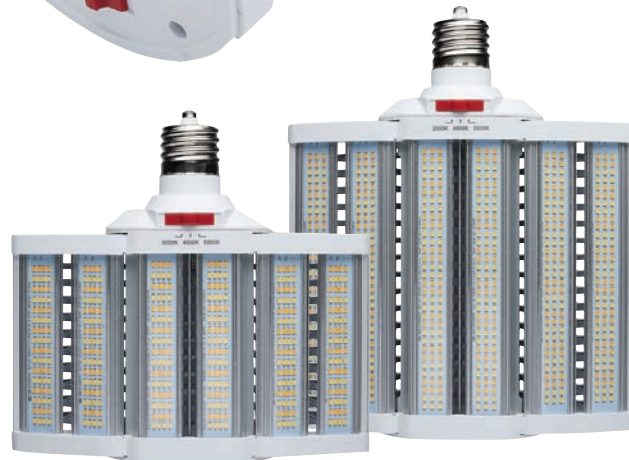
[^]See warranty for details at www.satco.com

LED HI-PRO EXPANDABLE | FIELD SELECTABLE



Features:

- Field selectable (CCT and wattage)
- Expandable light panels
- 320° rotating EX39 base
- Integrated 4kV surge protection
- Advanced heat dissipation



*Panels must be fully open for operation.



Item	Description	HID Equiv.	W	V	Base	CCT	Lm	CRI	MOL (in.)	MOD (in.)	Life (hrs.)	Pack
S28932R1	80W/LED/HID/SB/3CCT/EX39	200/250/320	60/70/80	120-277	EX39	3000K/4000K/5000K	9000/10150/11200	80	8.86	8.9	50K	4
S28938R1	110W/LED/HID/SB/3CCT/EX39	250/320/400	90/100/110	120-277	EX39	3000K/4000K/5000K	13500/14500/15400	80	11.26	8.9	50K	4

*See warranty for details at www.satco.com

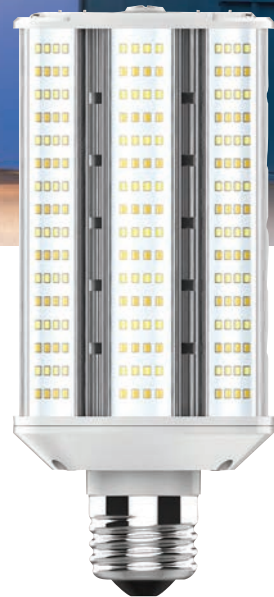
Product sheet SNI366

HI-PRO LED CCT AND WATTAGE SELECTABLE WALL PACK



Features:

- CCT Selectable—3000K, 4000K, 5000K
- Wattage selectable
- Enclosed fixture rated
- Advanced thermal management
- Damp location
- 4kV Built in surge protection
- DLC 5.1 (EX39)
- 50,000 hours



HI-PRO LED CCT AND WATTAGE SELECTABLE WALL PACK



Item	Description	W	V	Base	Finish	CCT	Lm	UPC	Case Pack
S28928	20W/LED/HID/WP/CCT-SEL/E26	20-10-5	100-277	E26	White	3K-4K-5K	3000-1500-850	045923289286	24
S28980	30W/LED/HID/WP/CCT-SEL/E26	30-20-10	100-277	E26	White	3K-4K-5K	4500-3200-1700	045923289804	12
S28929	40W/LED/HID/WP/CCT-SEL/E26	40-30-20	100-277	E26	White	3K-4K-5K	6000-4700-3200	045923289293	12
S28930*	40W/LED/HID/WP/CCT-SEL/EX39	40-30-20	100-277	EX39	White	3K-4K-5K	6000-4700-3200	045923289309	12
S28987*	60W/LED/HID/WP/CCT-SEL/EX39	60-40-20	100-277	EX39	White	3K-4K-5K	9000-6500-3200	045923289873	12

*See warranty for details at www.satco.com

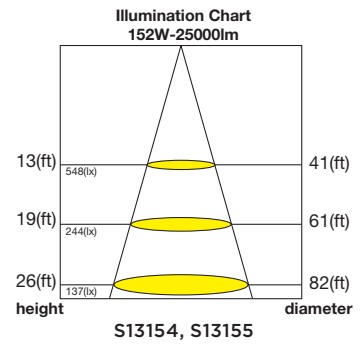
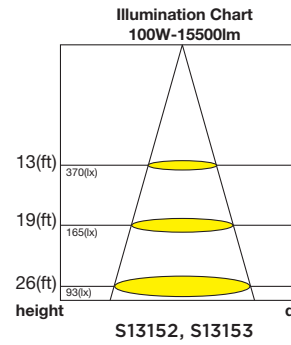
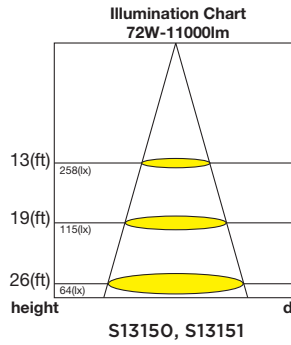
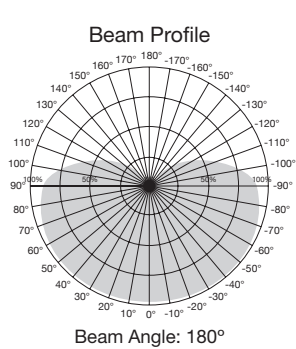
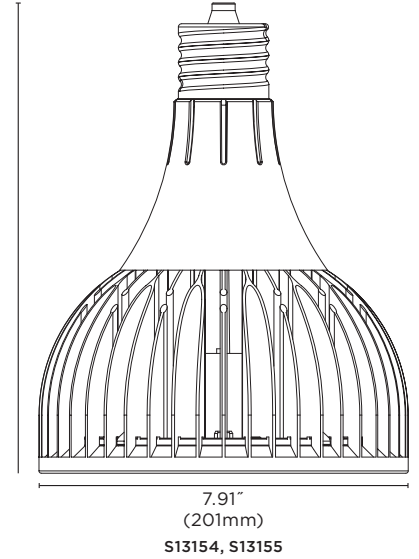
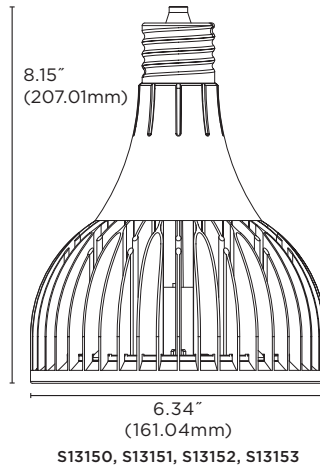
HI-PRO LED HIGH BAY/ LOW BAY LAMPS



Features:

- Replaces HID lamps
- Up to 25,000 lumens
- Advanced passive heat dissipation
- Wide, 180° beam angle
- Long neck design fits more fixtures
- Damp location
- 6kV built in surge protection
- DLC 5.1

HI-PRO LED HIGH BAY/ LOW BAY LAMPS



Item	Description	W	V	Base	Finish	CCT	Lm	CRI	Beam	MOL (in.)	Life (hrs.)	UPC	Pack
S13150	72W/LED/HID-HB/840/120-277V/DIM	72	120-277	EX39	WHITE	4000K	11,000	82	180°	8.15	50K	045923131509	4
S13151	72W/LED/HID-HB/850/120-277V/DIM	72	120-277	EX39	WHITE	5000K	11,000	82	180°	8.15	50K	045923131516	4
S13152	100W/LED/HID-HB/840/120-277V/DIM	100	120-277	EX39	WHITE	4000K	15,500	82	180°	8.15	50K	045923131523	4
S13153	100W/LED/HID-HB/850/120-277V/DIM	100	120-277	EX39	WHITE	5000K	15,500	82	180°	8.15	50K	045923131530	4
S13154	152W/LED/HID-HB/840/120-277V/DIM	152	120-277	EX39	WHITE	4000K	25,000	82	180°	9.33	50K	045923131547	4
S13155	152W/LED/HID-HB/850/120-277V/DIM	152	120-277	EX39	WHITE	5000K	25,000	82	180°	9.33	50K	045923131554	4

*See warranty for details at www.satco.com

HI-PRO LED HIGH BAY/ LOW BAY LAMPS



Features

- Wattage selectable
- Replaces HID technologies
- Neck design fits most fixtures
- Advanced internal thermal management
- Wide, 120° beam angle
- Light weight
- Damp location
- 5 year warranty



HI-PRO LED HIGH BAY/ LOW BAY LAMPS - WATTAGE SELECTABLE



Power Selectable Switch



Item	Description	W	V	Base	Max Lm	CCT	UPC	Pk
S33112	100W/LED/HID-HB/4K	100/80/60	100-277	EX39	14000	4000K	045923331121	6
S33113	100W/LED/HID-HB/5K	100/80/60	100-277	EX39	14000	5000K	045923331138	6
S33114	130W/LED/HID-HB/4K	130/100/80	100-277	EX39	18200	4000K	045923331145	6
S33115	130W/LED/HID-HB/5K	130/100/80	100-277	EX39	18200	5000K	045923331152	6
S33116	150W/LED/HID-HB/4K	150/120/100	100-277	EX39	21000	4000K	045923331169	6
S33117	150W/LED/HID-HB/5K	150/120/100	100-277	EX39	21000	5000K	045923331176	6

Product sheet SA2951

HI-PRO LED TEMPORARY WORK LIGHT



#16/3 Ga. SJTW-3 Orange Outdoor Extension Cords

Satco carries a full line of #16/3 Ga. outdoor extension cords, rugged enough for any job site. See catalog SA1700 or go to www.satco.com for details.

Item	Length	Item	Length
93-5034	8 ft.	93-5006	50 ft.
93-5035	15 ft.	93-5007	100 ft.
93-5005	25 ft.		



TEMPORARY WORK LIGHT PRO SERIES | 120-277



Folding handle with spring for easy installation and maneuverability

Features:

- Range voltage 120-277
- Plug-in or direct wire
- Linkable units
- Portable, versatile
- 360° beam spread



IP65 female and male connectors for linkability

15' quick connect power cord



Construction allows for rapid heat dissipation



120V adaptor included (277V adaptor sold separately)



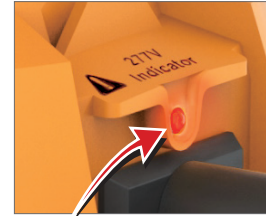
Item	Description	W	V	Base	CCT	Lm	CRI	Diameter	Height	Life (hrs.)	UPC	Pack
S13170	60W/LED/HID/TEMP/850/120-277V	60	120-277	Plug	5000K	6000	80	5.12	9.17	50K	045923131707	4
S13171	100W/LED/HID/TEMP/850/120-277V	100	120-277	Plug	5000K	10000	80	5.12	10.94	50K	045923131714	4
S13172	150W/LED/HID/TEMP/850/120-277V	150	120-277	Plug	5000K	15000	80	5.12	12.13	50K	045923131721	4

Product sheet SN1693

HI-PRO LED TEMPORARY WORK LIGHT PLUS SERIES | 120V



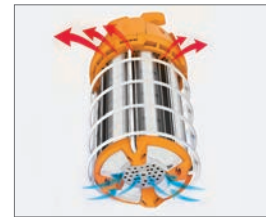
Center hole and T-Bar handle with trigger allows for secure installations from a carabiner hook and even light distribution



Warning light to show 277V input, preventing misuse of the connecting outlet



Improved durability of the protective cage



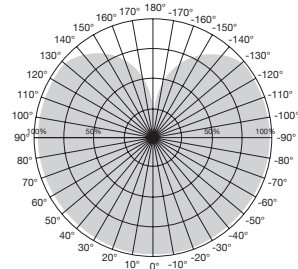
Enhanced passive heat sink design



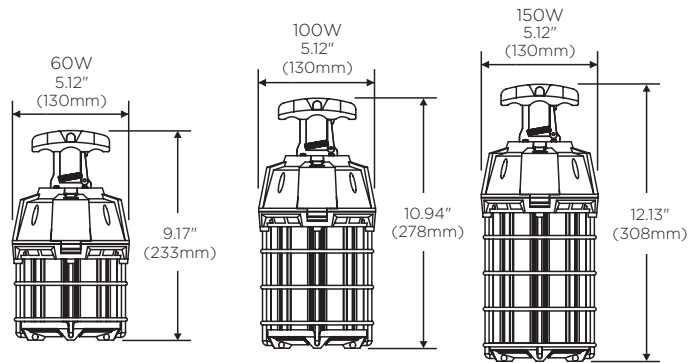
Linkable for longer runs from one power supply 6 foot cord included..

Features:

- Durable, lightweight with high impact cage
- Energy-efficient, high lumen LED lighting
- Omni-directional 300° beam angle
- Grounded 3-prong plug
- T-handle for mounting



Beam Angle: 300°



600W max linked units:

- 60W x 10 pcs. max
- 100W x 6 pcs. max
- 150W x 4 pcs. max



Item	Description	HID Equiv.	W	V	Base	CCT	Lm	CRI	MOL (in.)	MOD (in.)	Life (hrs.)	UPC	Pack
S38939	60W/LED/HID/TEMP/5K/120V	200	60	120	Plug	5000K	6000	80	9.20	5.12	50K	045923389399	4
S38946	100W/LED/HID/TEMP/5K/120V	400	100	120	Plug	5000K	10000	80	10.90	5.12	50K	045923389467	4
S38975	150W/LED/HID/TEMP/5K/120V	600	150	120	Plug	5000K	15000	80	12.10	5.12	50K	045923389757	4

Product sheet SA2703

TEMPORARY WORK LIGHT PERFORMER SERIES | 120V



Features:

- | Linkable units
- | Easy installation
- | Lightweight and portable
- | 360° beam spread
- | High lumen output



Item	Description	HID Equiv.	W	V	Base	CCT	Lm	CRI	Diameter	Height	Life (hrs.)	UPC	Pack
S13173	100W/LED/HID/ECO/TEMP/850/120V	400	100	120	Plug	5000K	12000	80	5.43	9.74	30K	045923131738	4
S13174	150W/LED/HID/ECO/TEMP/850/120V	600	150	120	Plug	5000K	18000	80	5.43	11.51	30K	045923131745	4

Product sheet SN1704

HI-PRO WATTAGE SELECTABLE WORK LIGHT 120-277V



Features:

- High lumen LED for industrial & commercial applications
- 60W/80W/100W selectable
- IP65
- Replaces HID, CFL, and incandescent
- Work light with hook and 25' cord
- 120-277V
- Easy installation, portable, flexible
- 360 degree illumination
- Suitable for construction areas
- Outdoor activity lighting
- Light weight



HI-PRO WATTAGE SELECTABLE WORK LIGHT 120-277V



Includes 25' Cord



Power select:
60W/80W/100W Selectable



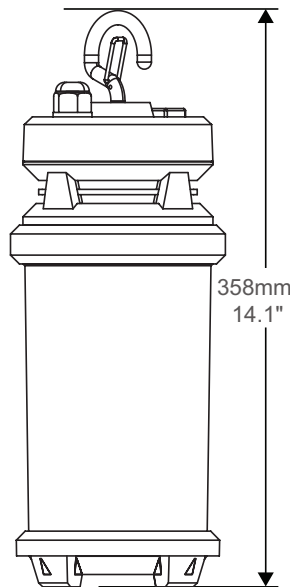
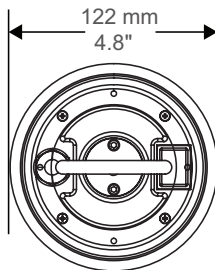
IP65



High resistance PC
material to protect the top
and bottom of the cage



Enhanced passive
heat sink design



Item	Description	HID Equiv.	W	V	Base	CCT	Lm	CRI	Life (hrs.)	UPC	Pack
S13159	100W/LED/HID/IP65/TEMP/120-277V	300	100/80/60	120-277	Plug	5000K	11000/9200/7200	80	50K	045923131592	4

Product sheet SA2960

LED HI-PRO TEMPORARY STRING LIGHTS



Features:

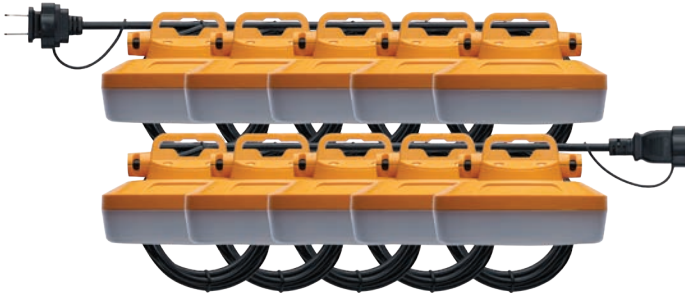
- Convenient hanging hooks on each lamp
- Durable 18/2 SJTW cord
- Low profile lamps
- Impact resistant lens
- Link additional sets for up to 300 ft. of illumination



LED HI-PRO TEMPORARY STRING LIGHTS



50' length with 5 lamps



100' length with 10 lamps



Removable Carabiner Clip Included



Item	Description	W	V	Base	Finish	CCT	Lm	CRI	Life (hrs.)	UPC	Pack
S13168	50-FT/LED/5PC/TEMP/STR/60W	60	120	Plug	OR	5000K	7000	80	18K	045923131684	2
S13169	100-FT/LED/10PC/TEMP/STR/120W	120	120	Plug	OR	5000K	14000	80	18K	045923131691	2

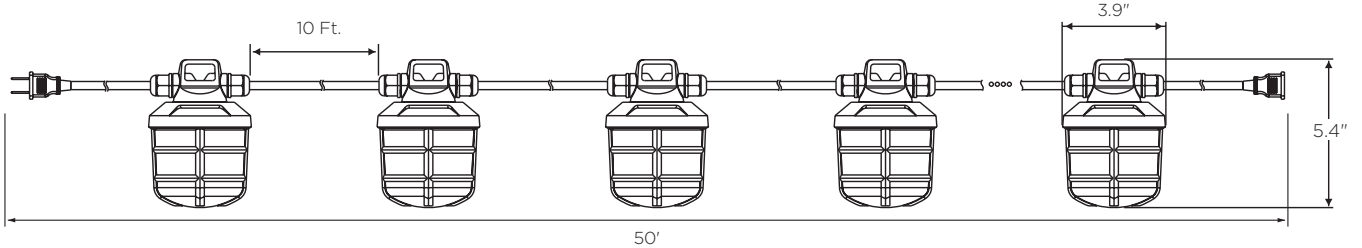
Product sheet SN1678

HI-PRO TEMPORARY CONSTRUCTION STRING LIGHT SET - 50FT.

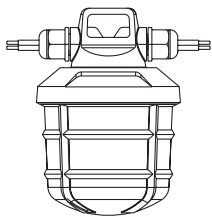


Features:

- For use in any commercial work area
- 5 Lights per string
- 50 Watt/6000 lumens per string
- 10 ft. between lights
- Linkable up to 6 sets
- Replaces HID, CFL and incandescent
- 300° omni-directional light
- Portable/plug-in, 120V
- IP65—water and dust proof
- 18 AWG cable



5 x 10W Lamps

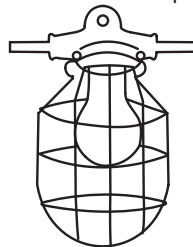


Total 50W

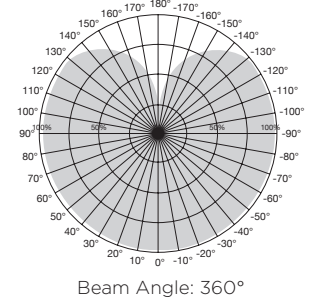
Replace



5 x 75W Lamps



Total 375W



Item	Description	HID Equiv.	W	V	Base	CCT	Lm	CRI	Length	Life (hrs.)	UPC	Pack
S28976	50-FT/LED/5PC/TEMP/STRING/120V	200	50	120	Plug	5000K	6000	80	50'	50K	045923289767	2/1

Product sheet SA2716

CFL REPLACEMENT LAMPS CCT SELECTABLE | UNIVERSAL OPERATION



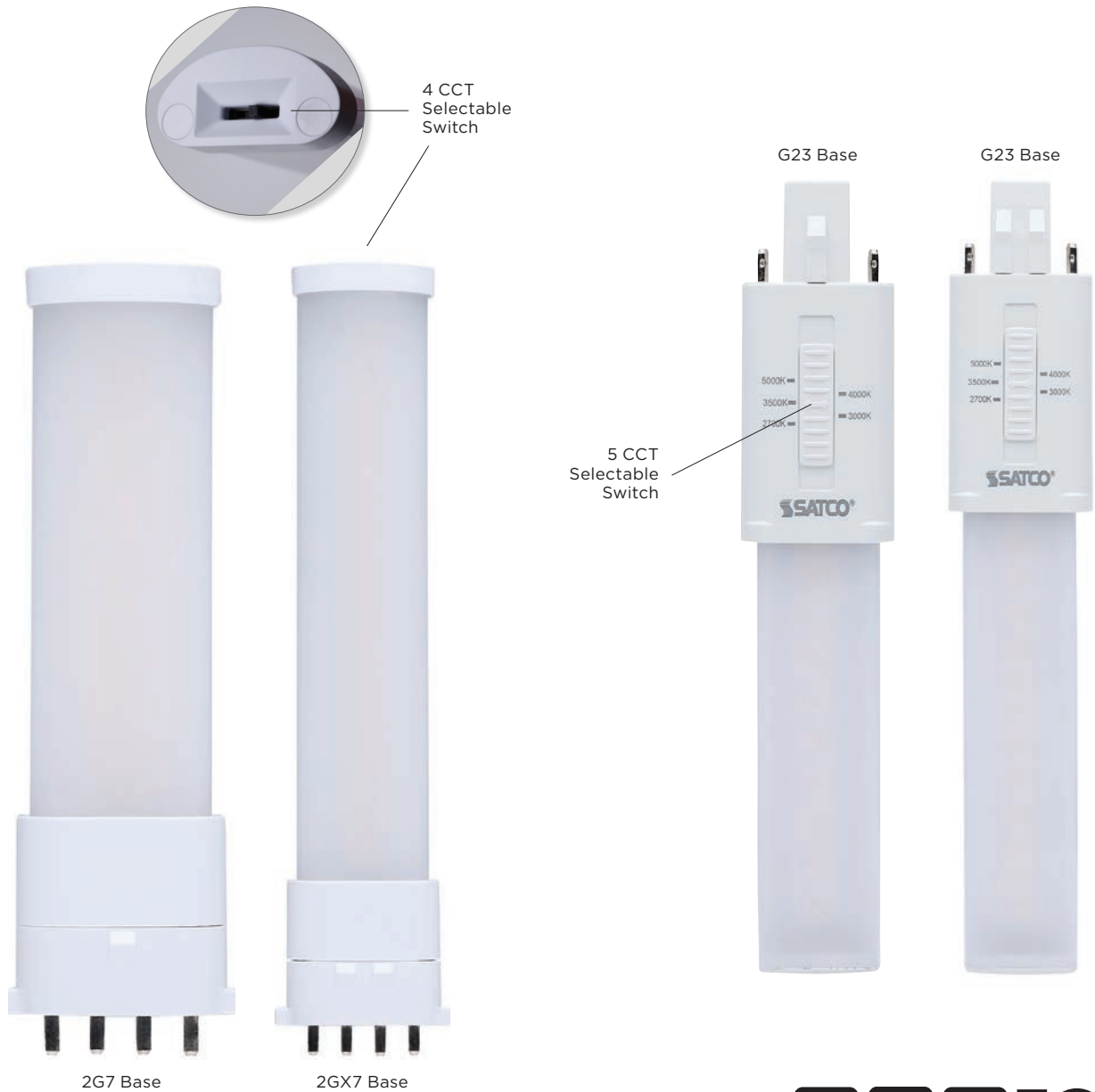
Features

- CCT selectable
- Type B ballast bypass
- Four different pin-based model options



ColorQuick[®]
Selectable Color Technology

CFL REPLACEMENT LAMPS CCT SELECTABLE | UNIVERSAL OPERATION



Item	Description	W	V	Bulb Shape	Base	Finish	CCT	Lm	CRI	Beam	MOL (in.)	Life (hrs.)	Pack
S11555	3.5W/LED/CFL/CCT/2G7/BP	3.5	120-277	PL	2G7	FR	2700K/3000K/3500K/4000K	380/390/400/410	80	120°	4.74	50K	50/10
S11556	5.5W/LED/CFL/CCT/2GX7/BP	5.5	120-277	PL	2GX7	FR	2700K/3000K/3500K/4000K	600/620/630/650	80	120°	6.51	50K	50/10
S18405	4.5W/LED/CFL/CCT/G23/BP	4.5	120-277	PL	G23	FR	2700K/3000K/3500K/4000K/5000K	450/475/500/500/475	80+	360°	6.50	50K	50/10
S28730	6W/LED/CFL/5CCT/G23/BP	6	120-277	PL	GX23	FR	2700K/3000K/3500K/4000K/5000K	600/625/650/650/625	80+	360°	7.09	50K	50/10

Product sheet SN1750

LED/CFL BALLAST BYPASS TYPE B REPLACEMENT LAMPS 2-PIN G23, GX23 BASE



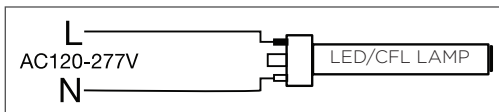
Features

- 4.5W G23 replaces 5W, 7W & 9W CFL
- 6W GX23 replaces 13W CFL
- 2-Sided illumination
- Instant on to full brightness / no flickering
- Vertical or horizontal applications
- Up to 50% energy saving
- c-UL-us classified
- Long life—50,000 hours
- 5 year warranty

LED/CFL BALLAST BYPASS TYPE B REPLACEMENT LAMPS 2-PIN G23, GX23 BASE



2 - Sided illumination



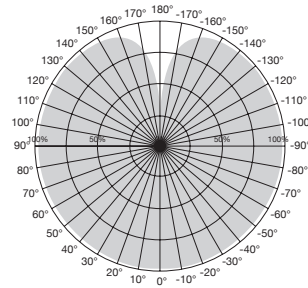
Wiring diagram



G23 Base



GX23 Base



Beam Angle: 360°



4.5 Watts

6 Watts



Item	Description	W	V	Bulb Shape	Base	Finish	CCT	Lm	CRI	Beam	MOL (in.)	Life (hrs.)	UPC	Pack
5, 7, 9 Watt Replacement														
S18400*	4.5W/LED/CFL/827/G23/BP	4.5	120-277	PL	G23	FR	2700K	450	80	360°	6.54	50K	045923184000	50/10
S18401*	4.5W/LED/CFL/830/G23/BP	4.5	120-277	PL	G23	FR	3000K	450	80	360°	6.54	50K	045923184017	50/10
S18402*	4.5W/LED/CFL/835/G23/BP	4.5	120-277	PL	G23	FR	3500K	450	80	360°	6.54	50K	045923184024	50/10
S18403*	4.5W/LED/CFL/840/G23/BP	4.5	120-277	PL	G23	FR	4000K	450	80	360°	6.54	50K	045923184031	50/10
S18404*	4.5W/LED/CFL/850/G23/BP	4.5	120-277	PL	G23	FR	5000K	450	80	360°	6.54	50K	045923184048	50/10
13 Watt Replacement														
S28725	6W/LED/CFL/827/GX23/BP/G2	6	120-277	PL	GX23	FR	2700K	600	80	360°	7.09	50K	045923287251	50/10
S28726	6W/LED/CFL/830/GX23/BP/G2	6	120-277	PL	GX23	FR	3000K	600	80	360°	7.09	50K	045923287268	50/10
S28727	6W/LED/CFL/835/GX23/BP/G2	6	120-277	PL	GX23	FR	3500K	600	80	360°	7.09	50K	045923287275	50/10
S28728	6W/LED/CFL/840/GX23/BP/G2	6	120-277	PL	GX23	FR	4000K	600	80	360°	7.09	50K	045923287282	50/10
S28729	6W/LED/CFL/850/GX23/BP/G2	6	120-277	PL	GX23	FR	5000K	600	80	360°	7.09	50K	045923287299	50/10

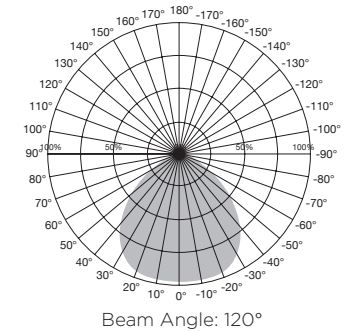
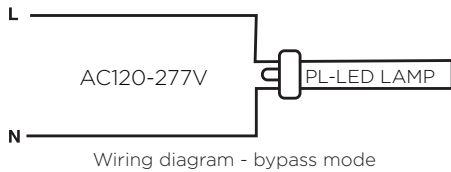
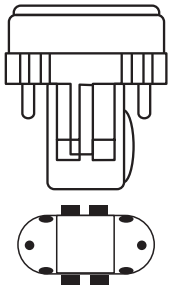
*cETLus

Product sheet SA2685

LED/CFL DUAL MODE LAMPS (BALLAST BYPASS TYPE B/ BALLAST COMPATIBLE TYPE A)

Features:

- Direct replacements for 13 watt CFL GX23 base lamps in existing fixtures with or without ballasts.*
- Over 50% energy savings vs. standard
- Ballast compatible and ballast bypass in one lamp
- Instant-on full brightness / no flickering
- 120-277V in bypass mode
- Damp location
- Long life—50,000 hours
- c-UL-us listed - Type A
- c-UL-us classified - Type B
- 5 year warranty



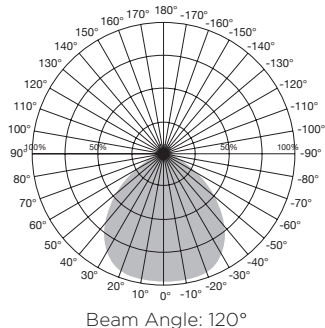
Item	Description	W	V	Bulb Shape	Base	Finish	CCT	Lm	CRI	Beam	MOL (in.)	Life (hrs.)	UPC	Pack
13 Watt Replacement														
S11550	5.5W/LED/CFL/827/2P/DUAL	5.5	120-277	PL	GX23	FR	2700K	500	80	120°	5.98	50K	045923115509	50/10
S11551	5.5W/LED/CFL/830/2P/DUAL	5.5	120-277	PL	GX23	FR	3000K	500	80	120°	5.98	50K	045923115516	50/10
S11552	5.5W/LED/CFL/835/2P/DUAL	5.5	120-277	PL	GX23	FR	3500K	500	80	120°	5.98	50K	045923115523	50/10
S11553	5.5W/LED/CFL/840/2P/DUAL	5.5	120-277	PL	GX23	FR	4000K	550	80	120°	5.98	50K	045923115530	50/10
S11554	5.5W/LED/CFL/850/2P/DUAL	5.5	120-277	PL	GX23	FR	5000K	550	80	120°	5.98	50K	045923115547	50/10

*Visit www.satco.com for an approved ballast list.

LED PL LAMPS CCT SELECTABLE | TYPE B

Features:

- CCT selectable
- 270° rotation once installed
- Type B ballast bypass
- Suitable for use in enclosed fixtures



GU24 Base



E26 Base



Item	Description	W	V	Bulb Shape	Base	Finish	CCT	Lm	CRI	MOL (in.)	MOD (in.)	Life (hrs.)	UPC	Pack
S8750	8W/LED/CFL/5CCT/GU24	8	120-277	PL	GU24	FR	2700/3000/3500/4000/5000	950/975/1000/1050/1050	83	6.5	1.38	50K	045923087509	50/10
S8760	8W/LED/CFL/5CCT/E26	8	120-277	PL	E26	FR	2700/3000/3500/4000/5000	950/975/1000/1050/1050	83	6.5	1.38	50K	045923087608	50/10

Product sheet SN1696

LED/CFL BALLAST BYPASS TYPE B REPLACEMENT LAMPS

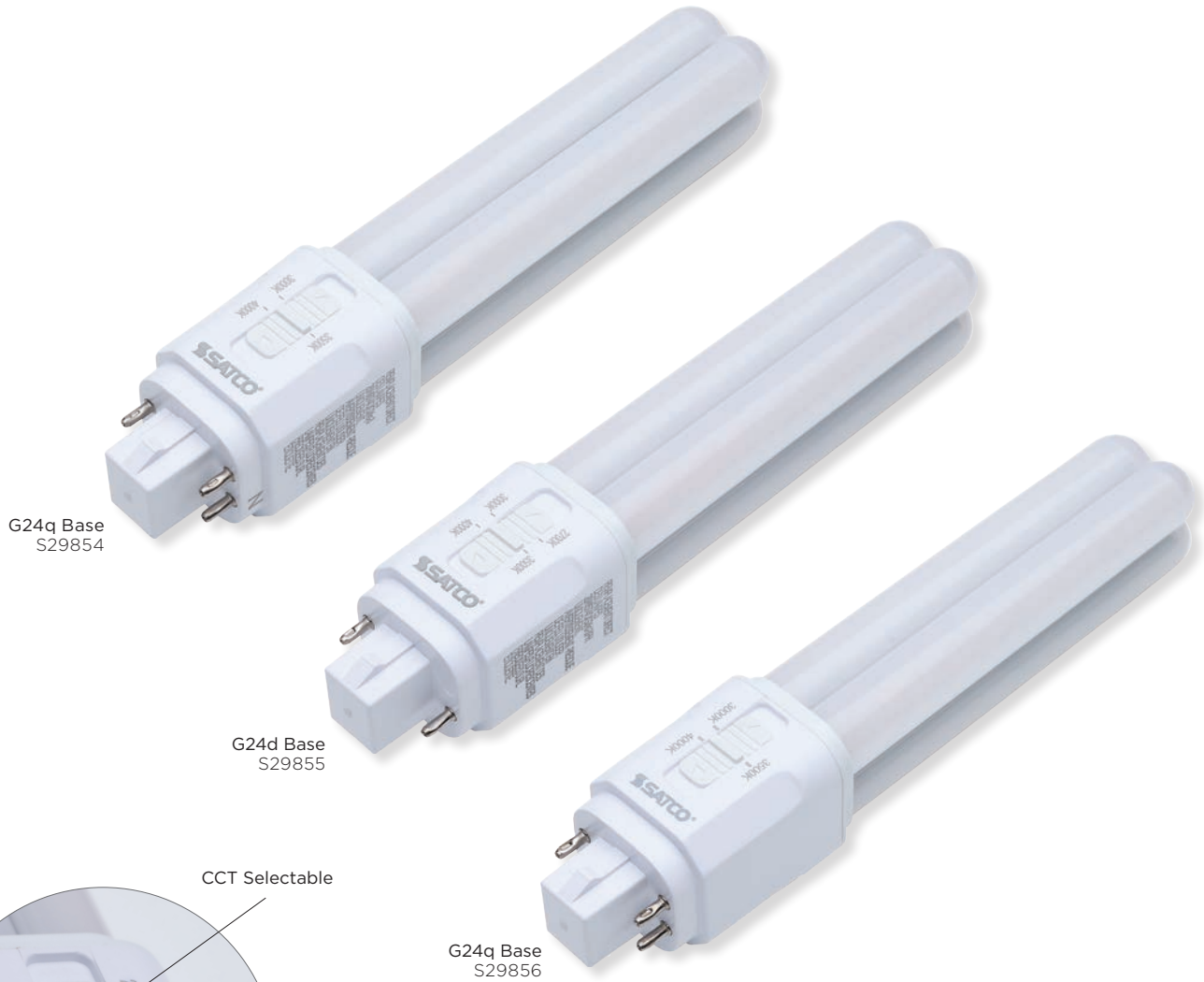


Features

- CCT Selectable
- Type A/B, Type A, or Type B
- Ballast Bypass options
- G24q (4-pin) and G24d (2-Pin) models
- Suitable for use in enclosed fixtures



LED/CFL BALLAST - CCT SELECTABLE BYPASS TYPE A, B, AND A+B REPLACEMENT LAMPS



Item	Description	W	V	Bulb Shape	Base	Finish	CCT	Lm	CRI	Beam	MOL (in.)	Life (hrs.)	Pack
*S29854	9.5W/LED/CFL/3CCT/DUAL/4P	9.5	120-277	PL	G24q	FR	3000K/3500K/4000K	1100/1150/1200	80	360°	6.9	50K	24
^S29855	9W/LED/CFL/4CCT/BP/2P	9	120-277	PL	G24d	FR	2700K/3000K/3500K/4000K	1050/1100/1150/1200	80	360°	6.9	50K	24
+S29856	9.5W/LED/CFL/3CCT/DR/4P	9.5	Ballast Dependent	PL	G24q	FR	3000K/3500K/4000K	1100/1150/1200	80	360°	6.9	50K	24

Product sheet SN1747

LED/CFL TYPE A DIRECT REPLACEMENT LAMPS

4-PIN (ELECTRONIC BALLASTS)

2-PIN (MAGNETIC BALLASTS)

Features:

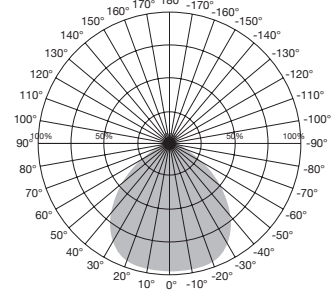
- 4-pin 26, 32, 42 watt direct replacement
- 2-pin 26 watt direct replacement
- 4-pin lamps fit G24q-3 & GX24q-3 and GX24q-4 sockets
- 2-pin lamps fit G24d-3 sockets
- No re-wiring needed
- Instant on to full brightness / no flickering
- Vertical and horizontal options
- Up to 70% energy saving
- DLC listed♦ (4-pin only)
- c-UL-us listed
- Long life—50,000 hours
- 5 year warranty



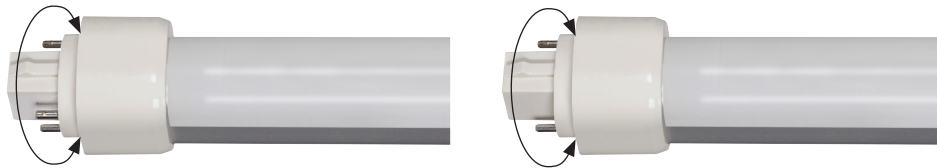
G24Q

G24D

For vertical applications



Beam Angle: 120°



G24Q

G24D

Rotates 270° when installed
For horizontal applications



Item	Description	W	Base	Finish	CCT	Lm	CRI	Beam	MOL (in)	Life (hrs.)	UPC	Pack
4-Pin Horizontal												
S29850♦	9WPLH/LED/830/DR/4P	9	G24q	FR	3000K	1050	82	120°	6.63	50K	045923298509	50/10
S29851♦	9WPLH/LED/835/DR/4P	9	G24q	FR	3500K	1050	82	120°	6.63	50K	045923298516	50/10
S29852♦	9WPLH/LED/840/DR/4P	9	G24q	FR	4000K	1100	82	120°	6.63	50K	045923298523	50/10
S29853♦	9WPLH/LED/850/DR/4P	9	G24q	FR	5000K	1100	82	120°	6.63	50K	045923298530	50/10
2-Pin Horizontal												
S9854	9WPLH/LED/830/DR/2P	9	G24d	FR	3000K	850	82	120°	6.63	50K	045923098543	50/10
S9855	9WPLH/LED/835/DR/2P	9	G24d	FR	3500K	850	82	120°	6.63	50K	045923098550	50/10
S9856	9WPLH/LED/840/DR/2P	9	G24d	FR	4000K	900	82	120°	6.63	50K	045923098567	50/10
S9857	9WPLH/LED/850/DR/2P	9	G24d	FR	5000K	900	82	120°	6.63	50K	045923098574	50/10
4-Pin Vertical												
S29858♦	9WPLV/LED/830/DR/4P	9	G24q	FR	3000K	1050	82	120°	4.69	50K	045923298585	50/10
S29859♦	9WPLV/LED/835/DR/4P	9	G24q	FR	3500K	1050	82	120°	4.69	50K	045923298592	50/10
S29860♦	9WPLV/LED/840/DR/4P	9	G24q	FR	4000K	1100	82	120°	4.69	50K	045923298608	50/10
S29861♦	9WPLV/LED/850/DR/4P	9	G24q	FR	5000K	1100	82	120°	4.69	50K	045923298615	50/10
2-Pin Vertical												
S9862	9WPLV/LED/830/DR/2P	9	G24d	FR	3000K	850	82	120°	4.69	50K	045923098628	50/10
S9863	9WPLV/LED/835/DR/2P	9	G24d	FR	3500K	850	82	120°	4.69	50K	045923098635	50/10
S9864	9WPLV/LED/840/DR/2P	9	G24d	FR	4000K	900	82	120°	4.69	50K	045923098642	50/10
S9865	9WPLV/LED/850/DR/2P	9	G24d	FR	5000K	900	82	120°	4.69	50K	045923098659	50/10

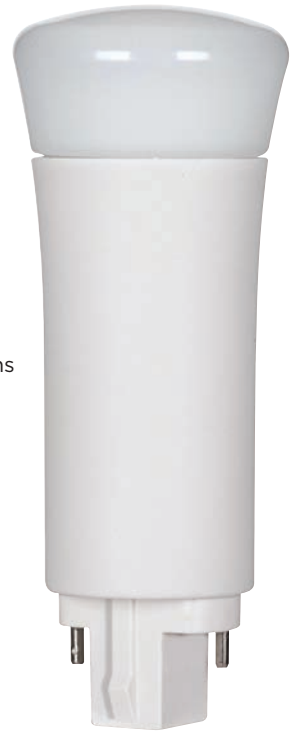
Product sheet SA1979

PL/LED BALLAST BYPASS TYPE B REPLACEMENT LAMPS

Features:

- UL classified
- 2-pin replacement for up to 26 watt pin based CFL, uses only 9 watts
- 2-pin LED lamps works in both 2-pin (magnetic) and 4-pin (electronic) sockets
- G24d (2-pin)—18 and 26W rep.
- G24q (4-pin)—13, 18, and 26 rep.
- Direct wire 120-277V
- Instant on to full brightness / no flickering
- Rotates up to 270° for various fixture applications
- Vertical and horizontal options
- Up to 70% energy saving
- Damp location
- Long life—50,000 hours
- 5 year warranty

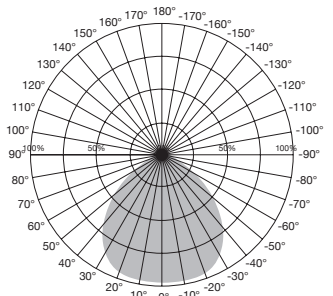
For vertical applications



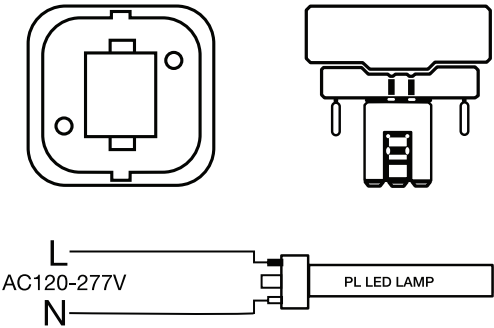
Rotates 270° when installed



For horizontal applications



Beam Angle: 120°



Item	Description	W	V	Bulb Shape	Base	Finish	CCT	Lm	CRI	Beam	MOL (in.)	Life (hrs.)	UPC	Pack
Horizontal														
S8530	9WPLH/LED/827/BP/2P	9	120-277	PL	G24d	FR	2700K	900	82	120°	6.63	50K	045923085307	50/10
S8531	9WPLH/LED/830/BP/2P	9	120-277	PL	G24d	FR	3000K	950	82	120°	6.63	50K	045923085314	50/10
S8532	9WPLH/LED/835/BP/2P	9	120-277	PL	G24d	FR	3500K	950	82	120°	6.63	50K	045923085321	50/10
S8533	9WPLH/LED/840/BP/2P	9	120-277	PL	G24d	FR	4000K	1000	82	120°	6.63	50K	045923085338	50/10
S8534	9WPLH/LED/850/BP/2P	9	120-277	PL	G24d	FR	5000K	1000	82	120°	6.63	50K	045923085345	50/10
Vertical														
S8535	9WPLV/LED/827/BP/2P	9	120-277	PL	G24d	FR	2700K	900	82	120°	4.69	50K	045923085352	50/10
S8536	9WPLV/LED/830/BP/2P	9	120-277	PL	G24d	FR	3000K	950	82	120°	4.69	50K	045923085369	50/10
S8537	9WPLV/LED/835/BP/2P	9	120-277	PL	G24d	FR	3500K	950	82	120°	4.69	50K	045923085376	50/10
S8538	9WPLV/LED/840/BP/2P	9	120-277	PL	G24d	FR	4000K	1000	82	120°	4.69	50K	045923085383	50/10
S8539	9WPLV/LED/850/BP/2P	9	120-277	PL	G24d	FR	5000K	1000	82	120°	4.69	50K	045923085390	50/10

Product sheet SA2328

LED DUAL POSITION PL LAMPS CCT SELECTABLE - TYPE A+B



- WARM WHITE - 2700K
- SOFT WHITE - 3000K
- NEUTRAL WHITE - 3500K
- COOL WHITE - 4000K
- NATURAL LIGHT - 5000K

Features:

- 90° rotatable and lockable head and end-cap
- Extendable base for horizontal applications
- 26W & 42W CFL replacements
- Dual mode: Type A + B
- 5 CCT selectable



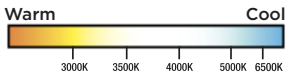
Item	Description	Lumens	W	CFL Replacement Wattage	MOL (in.)	MOD (in.)	Base	UPC	Pack
S21410	9PL/LED/HV/5CCT/A B/G24Q	1,100	9	26W CFL	6.76	2.36	G24q (4-pin)	045923211478	50/10
S21411	9PL/LED/HV/5CCT/A B/G24D	1,100	9	26W CFL	6.76	2.36	G24d (2-pin)	045923211485	50/10
S21412	16PL/LED/HV/5CCT/A B/G24Q	1,850	16	42W CFL	6.76	2.36	G24q (4-pin)	045923211645	50/10

Product sheet SA2685

LED PL LAMPS HIGH LUMEN | CCT SELECTABLE - TYPE B



ColorQuick®
Selectable Color Technology



Features:

- | 5 CCT selectable
- | High lumen output
- | 300° beam angle
- | Rated for extreme temperatures
- | Type B



Item	Description	Max. Lumens	W	Fluorescent Replacement Wattage	CCT	Input Current @ 120V/277V	UPC	Pack
S21413	14W/PL/LED/HL/5CCT/G24	1,820	14	26W	3000K/3500K/4000K/5000K/6500K	0.12/0.05A	045923215728	24
S21414	18W/PL/LED/HL/5CCT/G24	2,340	18W	32W	3000K/3500K/4000K/5000K/6500K	0.15/0.07A	045923215735	24
S21415	22W/PL/LED/HL/5CCT/G24	2,860	22	42W	3000K/3500K/4000K/5000K/6500K	0.18/0.08A	045923215742	24

Product sheet SA3023

LED PLL LAMPS CCT SELECTABLE | TYPE B

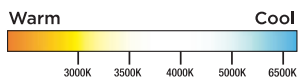


Features

- 5 CCT selectable
- Type B ballast bypass
- Suitable for use in enclosed fixtures
- Shatterproof



ColorQuick[®]
Selectable Color Technology



CCT Selectable



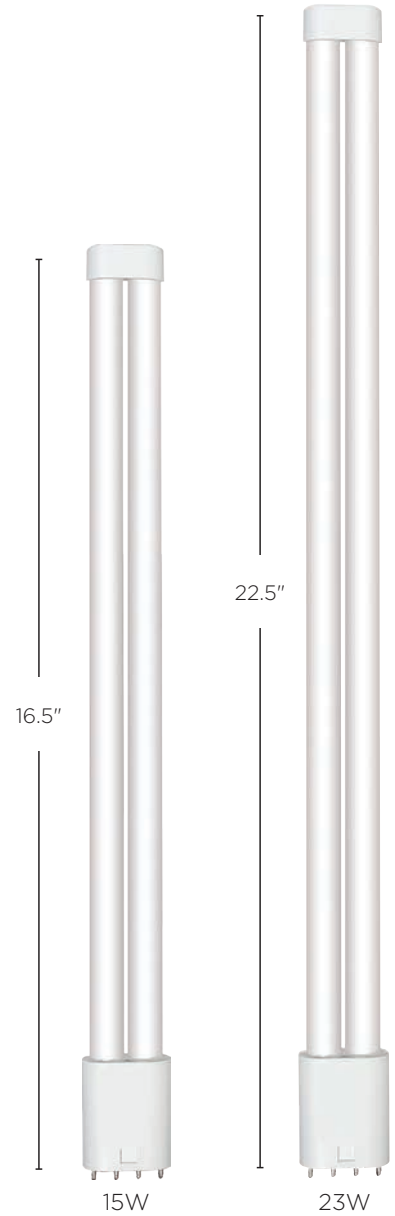
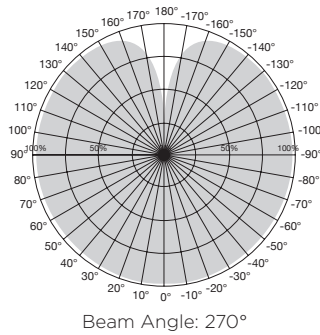
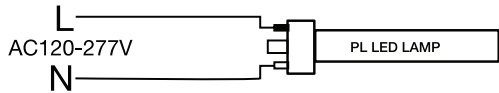
Item	Description	W	V	Bulb Shape	Base	Finish	CCT	Lm	CRI	Beam	MOL (in.)	MOD (in.)	Life (hrs.)	Pack
S18420	8.5PLL/LED/5CCT/BP	8.5	120-277	T5	2G11	FR	3000/3500/4000/5000/6500	930/950/980/980/980	80	115°	8.9	1.72	50K	20/10
S18421	10PLL/LED/5CCT/BP	10	120-277	T5	2G11	FR	3000/3500/4000/5000/6500	1180/1200/1250/1250/1250	80	115°	12.7	1.72	50K	20/10
S18422	16PLL/LED/5CCT/BP	16	120-277	T5	2G11	FR	3000/3500/4000/5000/6500	1900/1950/2000/2000/2000	80	115°	16.4	1.72	50K	20/10
S18423	20PLL/LED/5CCT/BP	20	120-277	T5	2G11	FR	3000/3500/4000/5000/6500	2650/2700/2800/2800/2800	80	140°	22.5	1.72	50K	20/10

Product sheet SN1703

2G11 PLL 36W & 40W TYPE B BALLAST BYPASS REPLACEMENT FOR 4-PIN PL-L

Features:

- Direct wire 120-277V
- All glass tube
- Over 40% energy savings
- Instant on to full brightness/no flickering
- c-UL-us classified
- Long life—50,000 hours
- 5 year warranty



Item	Description	W	V	Bulb Shape	Base	Finish	CCT	Lm	CRI	Beam	MOL (in.)	Life (hrs.)	UPC	Pack
15W Replaces 36W PLL														
S9952	15PLL/LED/835/BP	15	120-277	T5	2G11	FR	3500K	1900	80	270°	16.50	50K	045923099526	10
S9953	15PLL/LED/840/BP	15	120-277	T5	2G11	FR	4000K	2000	80	270°	16.50	50K	045923099533	10
23W Replaces 40W PLL														
S9950*	23PLL/LED/835/BP	23	120-277	T5	2G11	FR	3500K	2800	82	270°	22.50	50K	045923099502	10
S9951*	23PLL/LED/840/BP	23	120-277	T5	2G11	FR	4000K	2800	82	270°	22.50	50K	045923099519	10

Product sheet SA2194

LED T8 LAMPS TYPE A | CCT SELECTABLE

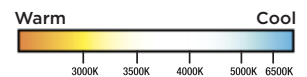


Features:

- | Plug & Play T8 replacements
- | 5 CCT selectable
- | Offered in 2', 3' and 4' lengths



ColorQuick®
Selectable Color Technology



Item	Description	W	CCT	Bulb Shape	Base	Finish	Lm	CRI	Beam	MOL (in.)	Life (hrs.)	Pack
S21915	8T8/LED/24/5CCT/DR	8	3000K/3500K/4000K/5000K/6500K	T8	G13	FR	1300/1325/1375/1375/1350	83	220°	24.00	50K	25
S21916	11T8/LED/36/5CCT/DR	11	3000K/3500K/4000K/5000K/6500K	T8	G13	FR	1650/1700/1750/1750/1700	83	220°	36.00	50K	25
S21917	10T8/LED/48/5CCT/DR	10	3000K/3500K/4000K/5000K/6500K	T8	G13	FR	1700/1750/1850/1850/1800	83	220°	48.00	50K	25
S21918	13T8/LED/48/5CCT/DR	13	3000K/3500K/4000K/5000K/6500K	T8	G13	FR	2100/2150/2250/2250/2200	83	220°	48.00	50K	25
S21919	17T8/LED/48/5CCT/DR	17	3000K/3500K/4000K/5000K/6500K	T8	G13	FR	2450/2500/2650/2650/2600	83	220°	48.00	50K	25

Product sheet SN1712

CCT SELECTABLE T8 TYPE A - 2 PACK

Easy color temperature selection



Features:

2-Packs

- 3 - CCT selectable
4000K, 5000K, 6500K
- Ballast bypass replaces 4' T8 & T12
- Ballast compatible replaces T8 on electronic IS & RS ballasts
- Single sleeve or Retail-Ready 2-Pack
- All glass tube
- 5 year warranty



Item	Description	W	Base	Finish	CCT	Max Lm	CRI	Beam	MOL (in.)	Life (hrs.)	UPC	Pack
Direct Replacement - Ballast Compatible												
S11918	10T8/LED/48/840-850-865/DR	10	G13	WH	4000K/5000K/6500K	1800	83	220°	48	50K	045923119682	10/2

Product sheet SA2845

T8 LED 2', 3', & 4' TYPE A LAMPS - BALLAST COMPATIBLE

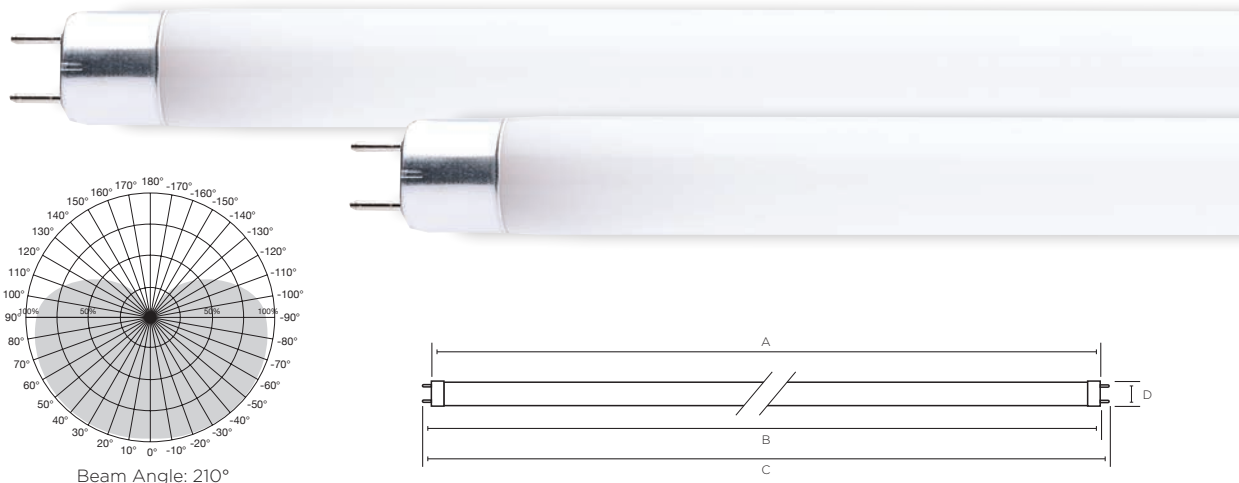


Features:

- High efficiency - up to 163 LPW
- Plug and play replacement*
- All glass tubes: no aging, yellowing or bending
- Integrated thermal fuse at pins
- DLC 5.1
- Operating temperature range: $-20^{\circ}\text{C}(-4^{\circ}\text{F})$ to a maximum of $+45^{\circ}\text{C}(+113^{\circ}\text{F})$
- Long life—50,000 hours
- Compatible with most instant start, rapid start T8 electronic ballasts and some emergency and dimming ballasts*
- Approved for use with tube guards when operated on low or normal ballast factor systems

*May not be compatible with all IS, RS, DM and EM ballasts. Visit www.satco.com for an approved list.

T8 LED 2', 3', & 4' TYPE A LAMPS - BALLAST COMPATIBLE



Beam Angle: 210°

Size	WATTAGE	A		B		C		D	
		Min (inch)	Max (inch)	Min (inch)	Max (inch)	Min (inch)	Max (inch)	Min (inch)	Max (inch)
2 Foot	8W	—	23.21	23.40	23.50	23.67	23.78	0.98	1.02
3 Foot	10W	—	35.22	35.40	35.50	35.67	35.78	0.98	1.02
4 Foot	9.5W/11W/14W	—	47.22	47.40	47.50	47.67	47.78	0.98	1.02



Item	Description	W	Base	Finish	CCT	Lm	CRI	Beam	MOL (in)	Nominal (in)	Life (hrs.)	UPC	Pack
2' LED 8W T8													
S49946	8T8/LED/24-830/DR	8	G13	WH	3000K	1250	82	210°	23.78	24.00	50K	045923499463	25
S49947	8T8/LED/24-835/DR	8	G13	WH	3500K	1250	82	210°	23.78	24.00	50K	045923499470	25
S49948	8T8/LED/24-840/DR	8	G13	WH	4000K	1250	82	210°	23.78	24.00	50K	045923499487	25
S49949	8T8/LED/24-850/DR	8	G13	WH	5000K	1250	82	210°	23.78	24.00	50K	045923499494	25
3' LED 10W T8													
S49990	10T8/LED/36-830/DR	10	G13	WH	3000K	1450	82	210°	35.78	36.00	50K	045923499906	25
S49991	10T8/LED/36-835/DR	10	G13	WH	3500K	1450	82	210°	35.78	36.00	50K	045923499913	25
S49992	10T8/LED/36-840/DR	10	G13	WH	4000K	1450	82	210°	35.78	36.00	50K	045923499920	25
S49993	10T8/LED/36-850/DR	10	G13	WH	5000K	1450	82	210°	35.78	36.00	50K	045923499937	25
4' LED 9.5W T8													
S11740R1	9.5/T8/LED/48-830/DR	9.5	G13	WH	3000K	1740	82	210°	47.78	48.00	50K	045923402913	25
S11741R1	9.5/T8/LED/48-835/DR	9.5	G13	WH	3500K	1740	82	210°	47.78	48.00	50K	045923402920	25
S11742R1	9.5/T8/LED/48-840/DR	9.5	G13	WH	4000K	1740	82	210°	47.78	48.00	50K	045923402937	25
S11743R1	9.5/T8/LED/48-850/DR	9.5	G13	WH	5000K	1740	82	210°	47.78	48.00	50K	045923402944	25
4' LED 11W T8													
S49934R1	11/T8/LED/48-830/DR	11	G13	WH	3000K	1800	82	210°	47.78	48.00	50K	045923402951	25
S49935R1	11/T8/LED/48-835/DR	11	G13	WH	3500K	1800	82	210°	47.78	48.00	50K	045923402968	25
S49936R1	11/T8/LED/48-840/DR	11	G13	WH	4000K	1800	82	210°	47.78	48.00	50K	045923402975	25
S49937R1	11/T8/LED/48-850/DR	11	G13	WH	5000K	1800	82	210°	47.78	48.00	50K	045923402982	25
4' LED 14W T8													
S49975R1	14/T8/LED/48-830/DR	14	G13	WH	3000K	2200	82	210°	47.78	48.00	50K	045923402999	25
S49976R1	14/T8/LED/48-835/DR	14	G13	WH	3500K	2200	82	210°	47.78	48.00	50K	045923403187	25
S49977R1	14/T8/LED/48-840/DR	14	G13	WH	4000K	2200	82	210°	47.78	48.00	50K	045923403194	25
S49978R1	14/T8/LED/48-850/DR	14	G13	WH	5000K	2200	82	210°	47.78	48.00	50K	045923403200	25

Product sheet SA2756

LED T8 LINEAR LAMPS TYPE B - BALLAST BYPASS - CCT SELECTABLE



Features:

- CCT selectable -
3000K/3500K/4000K
5000K/6500K
- Direct replacement for
fluorescent T8 lamps
- Ballast bypass installation
- Single or double-ended wiring*
- 5 year warranty



ColorQuick™

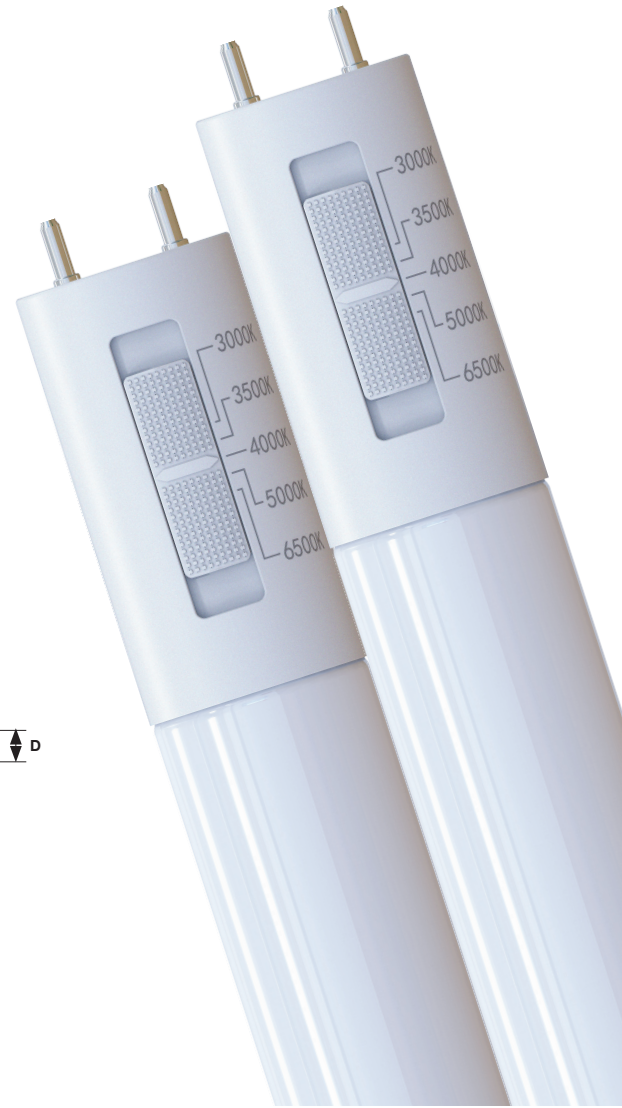
Selectable Color Technology

Switch to/from the following CCT

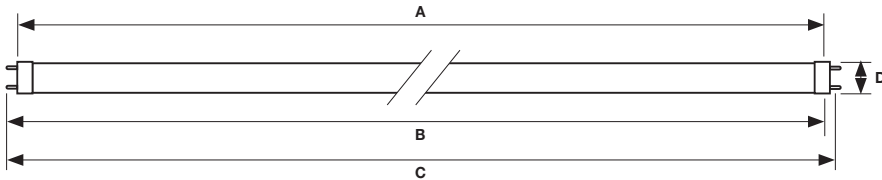


LED T8 LINEAR LAMPS

TYPE B - BALLAST BYPASS - CCT SELECTABLE



Dimensions



	A	B	C	D
Size	Length (in.)	Length (in.)	Length (in.)	Length (in.)
2 Foot	23.21	23.50	23.78	1.02
3 Foot	35.22	35.50	35.78	1.02
4 Foot	47.22	47.50	47.78	1.02

LED T8 - Ballast Bypass



Item	Description	Lm	W	V	CCT	UPC	Pk
2' LED T8							
S11764	9T8/LED/24-5CCT/BP/SE-DE	1150/1150/1250/1250/1250	9	120-277	3000/3500/4000K/5000K/6500K	045923117640	25
3' LED T8							
S11765	2T8/LED/36-5CCT/BP/SE-DE	1350/1350/1450/1450/1450	12	120-277	3000/3500/4000K/5000K/6500K	045923117657	25
4' LED T8							
S11766	14T8/LED/48-5CCT/BP/SE-DE	1700/1700/1800/1800/1800	14	120-277	3000/3500/4000K/5000K/6500K	045923117664	25
S11767	17T8/LED/48-5CCT/BP/SE-DE	2100/2100/2200/2200/2200	17	120-277	3000/3500/4000K/5000K/6500K	045923117671	25

DLC primary use: Internal Driver/Line Voltage (UL Type B) Lamps

*Single-ended wiring requires non-shunted sockets.

Specifications are subject to change without prior notice.

Product sheet SA2976

T8 LED 2', 3', & 4' TYPE B LAMPS - BALLAST BYPASS

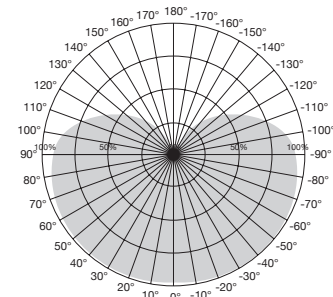
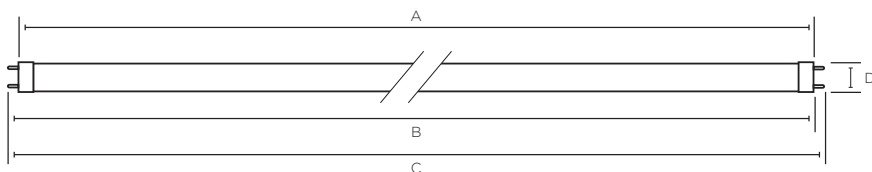


Features:

- Single or double ending wiring*
- Installation protection**
- All-glass tube
- Direct wire 120-277 line voltage
- Damp location
- DLC listed
- Long life—50,000 hours

T8 LED 2', 3', & 4'

TYPE B LAMPS - BALLAST BYPASS



Beam Angle: 210°

Dimensions

Size	WATTAGE	A Length (in.)	B Length (in.)	C Length (in.)	D Length (in.)
2 Foot	9W	23.21	23.50	23.78	1.02
3 Foot	12W	35.22	35.50	35.78	1.02
4 Foot	10.5W/14W/15W/17W	47.22	47.50	47.78	1.02



Item	Description	W	V	Bulb Shape	Base	Finish	CCT	Lm	CRI	Beam	MOL (in.)	Nominal (in.)	Life (hrs.)	UPC	Pack
2' LED T8															
S39900	9T8/LED/24-830/BP/SE-DE	9	120-277	T8	G13	WH	3000K	1100	82	210°	23.78	24.00	50K	045923399008	25
S39901	9T8/LED/24-835/BP/SE-DE	9	120-277	T8	G13	WH	3500K	1100	82	210°	23.78	24.00	50K	045923399015	25
S39902	9T8/LED/24-840/BP/SE-DE	9	120-277	T8	G13	WH	4000K	1150	82	210°	23.78	24.00	50K	045923399022	25
S39903	9T8/LED/24-850/BP/SE-DE	9	120-277	T8	G13	WH	5000K	1150	82	210°	23.78	24.00	50K	045923399039	25
3' LED T8															
S39926	12T8/LED/36-830/BP/SE-DE	12	120-277	T8	G13	WH	3000K	1400	82	210°	35.78	36.00	50K	045923399268	25
S39927	12T8/LED/36-835/BP/SE-DE	12	120-277	T8	G13	WH	3500K	1400	82	210°	35.78	36.00	50K	045923399275	25
S39928	12T8/LED/36-840/BP/SE-DE	12	120-277	T8	G13	WH	4000K	1450	82	210°	35.78	36.00	50K	045923399282	25
S39929	12T8/LED/36-850/BP/SE-DE	12	120-277	T8	G13	WH	5000K	1450	82	210°	35.78	36.00	50K	045923399299	25
4' LED T8															
S11960	10.5T8/LED/48-830/BP/SE-DE	10.5	120-277	T8	G13	WH	3000K	1700	82	210°	47.78	48.00	50K	045923119606	25
S11961	10.5T8/LED/48-835/BP/SE-DE	10.5	120-277	T8	G13	WH	3500K	1700	82	210°	47.78	48.00	50K	045923119613	25
S11962	10.5T8/LED/48-840/BP/SE-DE	10.5	120-277	T8	G13	WH	4000K	1700	82	210°	47.78	48.00	50K	045923119620	25
S11963	10.5T8/LED/48-850/BP/SE-DE	10.5	120-277	T8	G13	WH	5000K	1700	82	210°	47.78	48.00	50K	045923119637	25
S39913	14T8/LED/48-830/BP/SE-DE	14	120-277	T8	G13	WH	3000K	1700	82	210°	47.78	48.00	50K	045923399138	25
S39914	14T8/LED/48-835/BP/SE-DE	14	120-277	T8	G13	WH	3500K	1700	82	210°	47.78	48.00	50K	045923399145	25
S39915	14T8/LED/48-840/BP/SE-DE	14	120-277	T8	G13	WH	4000K	1800	82	210°	47.78	48.00	50K	045923399152	25
S39916	14T8/LED/48-850/BP/SE-DE	14	120-277	T8	G13	WH	5000K	1800	82	210°	47.78	48.00	50K	045923399169	25
S21924	14T8/LED/48-865/BP/SE-DE	14	120-277	T8	G13	WH	6500K	1800	82	210°	47.78	48.00	50K	045923219245	25
S39917	15T8/LED/48-830/BP/SE-DE	15	120-277	T8	G13	WH	3000K	2100	82	210°	47.78	48.00	50K	045923399176	25
S39918	15T8/LED/48-835/BP/SE-DE	15	120-277	T8	G13	WH	3500K	2100	82	210°	47.78	48.00	50K	045923399183	25
S39919	15T8/LED/48-840/BP/SE-DE	15	120-277	T8	G13	WH	4000K	2200	82	210°	47.78	48.00	50K	045923399190	25
S39920	15T8/LED/48-850/BP/SE-DE	15	120-277	T8	G13	WH	5000K	2200	82	210°	47.78	48.00	50K	045923399206	25
S39904	17T8/LED/48-830/BP/SE-DE	17	120-277	T8	G13	WH	3000K	2100	82	210°	47.78	48.00	50K	045923399046	25
S39905	17T8/LED/48-835/BP/SE-DE	17	120-277	T8	G13	WH	3500K	2100	82	210°	47.78	48.00	50K	045923399053	25
S39906	17T8/LED/48-840/BP/SE-DE	17	120-277	T8	G13	WH	4000K	2200	82	210°	47.78	48.00	50K	045923399060	25
S39907	17T8/LED/48-850/BP/SE-DE	17	120-277	T8	G13	WH	5000K	2200	82	210°	47.78	48.00	50K	045923399077	25

*Single ended wiring requires non-shunted sockets.

**Protection against improper installation. Lamps will not light if the ballast has not been bypassed.

Product sheet SA2420

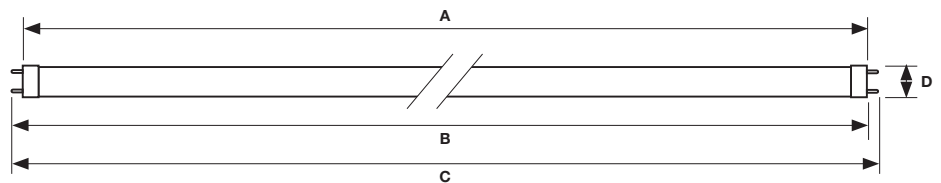
4' LED T8 347V TYPE B - BALLAST BYPASS LAMPS



Features:

- Double ended wiring
- All glass tube
- Direct wire 347 line voltage
- Damp location
- Long life-50,000 hours

4' LED T8 347V TYPE B - BALLAST BYPASS LAMPS



Dimensions

Size	WATTAGE	A Length (in.)	B Length (in.)	C Length (in.)	D Length (in.)
0.8005 in	14W/17W	47.22	47.50	47.78	1.02

347V LED T8 - Ballast Bypass



Item	Description	W	V	CRI	Base Type	Beam	CCT	Lm	M.O.L. (in.)	Life/Hrs.	UPC	Pack
S11744	14T8/LED/48-840/BP/DE/347V	14	347	82	G13	210	4000K	1800	47.78	50K	045923117442	25
S11745	14T8/LED/48-850/BP/DE/347V	14	347	82	G13	210	5000K	1800	47.78	50K	045923117459	25
S11746	17T8/LED/48-840/BP/DE/347V	17	347	82	G13	210	4000K	2200	47.78	50K	045923117466	25
S11747	17T8/LED/48-850/BP/DE/347V	17	347	82	G13	210	5000K	2200	47.78	50K	045923117473	25

*Protection against improper installation. Lamps will not light if the ballast has not been bypassed.

Product sheet SA2882

LED T8 4' BALLAST BYPASS LAMPS PLASTIC TUBES



Features:

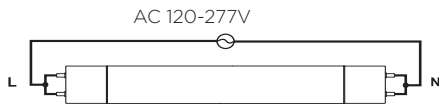
- No ballast or external driver required — single or double ended wiring
- Installation protection — will not light if ballast is not bypassed
- High lumen output
- Direct wire 120-277V line voltage
- Plastic safety tube
- Shatterproof
- Long life: 70,000 hours
- c-UL-us Classified
- ETL sanitation listed (conforms to NSF)
- DLC Listed
- 5 year warranty

LED T8 4' TYPE B - BALLAST BYPASS LAMPS PLASTIC TUBES

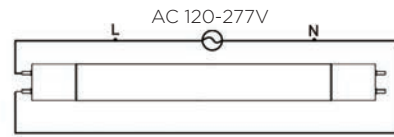


TWO INSTALLATION OPTIONS:

1. Double Ended Wiring



2. Single Ended Wiring



Plastic Tube - T8



Item	Description	W	V	Bulb Shape	Base	Finish	CCT	Lm	CRI	Beam	MOL (in.)	Nominal (in.)	Life (hrs.)	UPC	Pack
S11978	10.5T8/LED/48-840/BP/ SE-DE/PC	10.5	120-277	T8	G13	FR	4000K	1650	83	180°	47.78	48.00	70K	045923119781	25

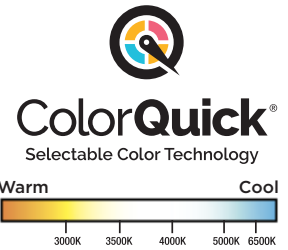
Product sheet SA2970

PREMIUM LED T8 LAMPS BALLAST BYPASS | CCT SELECTABLE



Features:

- Low optical flicker illumination-less than 2%
- Shatterproof coated for safety in food service applications
- 5 CCT selectable 3000K/3500K/4000K/5000K/6500K
- 120-277 range voltage
- Dimmable when used in 120V[^]
- 50K life hours



Item	Description	W	V	Bulb Shape	Base	Finish	Lm	CRI	Beam	MOL (in.)	Nominal (in.)	UPC	Pack
S11660	7T8/LED/24-5CCT/DIM/LF/BP	7	120-277	T8	G13	FR	900/950/1000/1000/950	83	160°	23.23	24.00	045923116605	25
S11661	12T8/LED/36-5CCT/DIM/LF/BP	12	120-277	T8	G13	FR	1450/1500/1550/1550/1500	83	160°	35.24	36.00	045923116612	25
S11662	9.5T8/LED/48-5CCT/DIM/LF/BP	9.5	120-277	T8	G13	FR	1600/1625/1650/1650/1625	83	160°	47.2	48.00	045923116629	25
S11663	10.5T8/LED/48-5CCT/DIM/LF/BP	10.5	120-277	T8	G13	FR	1600/1650/1700/1700/1650	83	160°	47.2	48.00	045923116636	25
S11664	11.5T8/LED/48-5CCT/DIM/LF/BP	11.5	120-277	T8	G13	FR	1700/1750/1800/1800/1750	83	160°	47.2	48.00	045923116643	25
S11665	15T8/LED/48-5CCT/DIM/LF/BP	15	120-277	T8	G13	FR	2000/2100/2200/2200/2100	83	160°	47.2	48.00	045923116650	25
S11666	18.5T8/LED/48-5CCT/DIM/LF/BP	18.5	120-277	T8	G13	FR	2400/2500/2600/2600/2500	83	160°	47.2	48.00	045923116667	25

[^]Visit satco.com for compatible dimmers.

PREMIUM LED T8 BALLAST BYPASS TYPE B, LOW OPTICAL FLICKER LAMPS

Features:

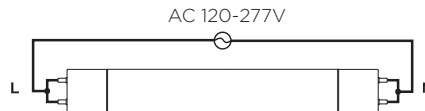
- No ballast or external driver required
- Low flicker – Less than 2%
- Installation protection – will not light if ballast is not bypassed
- Lower wattage option
- High lumen – up to 2600
- Direct wire 120-277V line voltage*

- All glass tube
- PET Coated – shatterproof
- Long life: 50,000 hours
- c-UL-us classified
- ETL Sanitation listed (conforms to NSF)
- DLC Listed
- 5 year warranty

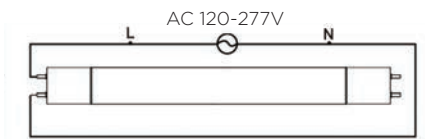


TWO INSTALLATION OPTIONS

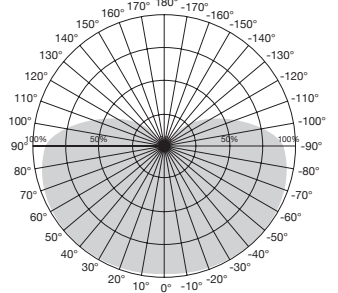
1. Double Ended Wiring



2. Single Ended Wiring



(Non-shunted sockets)



Beam Angle: 190°

**Low Optical
Flicker Less Than
2% Up to 400 Hz**

**TYPE
B**

**DAMP
LOCATION**

**ETL
SANITATION LISTED**

**CLASSIFIED
UL
US**

**DLC
LISTED**

Item	Description	W	V	Bulb Shape	Base	Finish	CCT	Lm	CRI	Beam	MOL (in.)	Nominal (in.)	Life (hrs.)	UPC	Pack
S11910	11.5T8/LED/48-830/BP 120-277V	11.5	120-277	T8	G13	FR	3000K	1650	80	180°	47.78	48.00	50K	045923119101	25
S11911	11.5T8/LED/48-835/BP 120-277V	11.5	120-277	T8	G13	FR	3500K	1650	80	180°	47.78	48.00	50K	045923119118	25
S11912	11.5T8/LED/48-840/BP 120-277V	11.5	120-277	T8	G13	FR	4000K	1750	80	180°	47.78	48.00	50K	045923119125	25
S11913	11.5T8/LED/48-850/BP 120-277V	11.5	120-277	T8	G13	FR	5000K	1800	80	180°	47.78	48.00	50K	045923119132	25
S11914	18.5T8/LED/48-830/BP 120-277V	18.5	120-277	T8	G13	FR	3000K	2400	80	180°	47.78	48.00	50K	045923119149	25
S11915	18.5T8/LED/48-835/BP 120-277V	18.5	120-277	T8	G13	FR	3500K	2400	80	180°	47.78	48.00	50K	045923119156	25
S11916	18.5T8/LED/48-840/BP 120-277V	18.5	120-277	T8	G13	FR	4000K	2500	80	180°	47.78	48.00	50K	045923119163	25
S11917	18.5T8/LED/48-850/BP 120-277V	18.5	120-277	T8	G13	FR	5000K	2600	80	180°	47.78	48.00	50K	045923119170	25

Product sheet SA2527

5' & 6' BALLAST BYPASS - TYPE B REPLACEMENTS FOR MED. BI-PIN LINEAR T8 LAMPS



Features:

- No ballast required
- Increased efficiency
- Single ended wiring/ non-shunted sockets
- 60" and 70" lengths
- All glass tube
- Damp location
- ETL sanitation listed (conforms to NSF)
- Long life—50,000 hours

Applications:

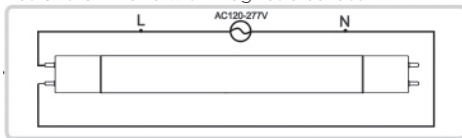
- Designed for cold temperature applications

5' & 6' BALLAST BYPASS - TYPE B REPLACEMENTS FOR MED. BI-PIN LINEAR T8 LAMPS



Wiring Diagram

Retrofit luminaire with magnetic ballast



Wiring harnesses available including non-shunted sockets, sold separately

Item	Description
80-2626	1 LT BALLAST BYPASS WIRING HARNESS
80-2627	2 LT BALLAST BYPASS WIRING HARNESS
80-2628	3 LT BALLAST BYPASS WIRING HARNESS
80-2629	4 LT BALLAST BYPASS WIRING HARNESS



Item	Description	W	V	Bulb Shape	Base	Finish	CCT	Lm	CRI	Beam	MOL (in.)	Nominal (in.)	Life (hrs.)	UPC	Pack
S11953	22T8/LED/60-840/BP	22	120-277	T8	G13	FR	4000K	2800	83	160°	60.00	60.00	50K	045923119538	10
S11954	22T8/LED/60-850/BP	22	120-277	T8	G13	FR	5000K	2800	83	160°	60.00	60.00	50K	045923119545	10
S11955	30T8/LED/70-840/BP	30	120-277	T8	G13	FR	4000K	4000	83	160°	70.00	70.00	50K	045923119552	10
S11956	30T8/LED/70-850/BP	30	120-277	T8	G13	FR	5000K	4000	83	160°	70.00	70.00	50K	045923119569	10

Product sheet SA2390

LED T8 LAMPS TYPE A + B | CCT SELECTABLE

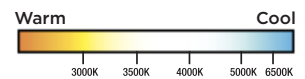


Features:

- Dual mode type A + B
- 5 CCT selectable
- Range voltage 120-277
- Offered in 2', 3' and 4' lengths



ColorQuick[®]
Selectable Color Technology

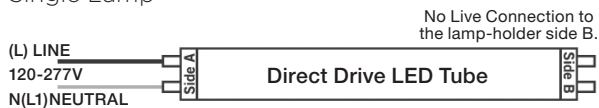


LED T8 LAMPS TYPE A + B | CCT SELECTABLE



SINGLE-ENDED WIRING Using non-shunted lampholders only

Single Lamp



DOUBLE-ENDED WIRING Using shunted lampholders only

Shunted Lampholders - Single Lamp / 120-277V



Item	Description	W	V	Bulb Shape	Base	Finish	Lm	CRI	Beam	MOL (in.)	Nominal (in.)	Life (hrs.)	UPC	Pack
S21760	10T8/LED/24-5CCT/DM/BP-DR	10	120-277	T8	G13	FR	1450	80+	170°	24.65	24.00	50K	045923217609	25
S21761	11T8/LED/36-5CCT/DM/BP-DR	11	120-277	T8	G13	FR	1650	80+	170°	36.61	36.00	50K	045923217616	25
S21762	12T8/LED/48-5CCT/DM/BP-DR	12	120-277	T8	G13	FR	1800	80+	170°	48.67	48.00	50K	045923217623	25
S21763	15T8/LED/48-5CCT/DM/BP-DR	15	120-277	T8	G13	FR	2200	80+	170°	48.67	48.00	50K	045923217630	25

Product sheet SN1713

PREMIUM LED T8 DUAL MODE (A + B) (BALLAST BYPASS TYPE B/ BALLAST COMPATIBLE TYPE A) LINEAR LAMPS



Features:

- Direct replacements for fluorescent T8 lamps in existing fixtures with or without ballasts.
- Over 40% energy savings vs. standard T8 systems
- Ballast compatible (12W) and ballast bypass (13W) in one lamp
- Bypass mode works in single or double ended wiring^{††}
- Protection from arcing^{***}
- All glass tube
- Compatible with emergency and dimming ballast[†]
- 120-277V in bypass mode
- Damp location
- PET coated
- NSF certified
- DLC 5.1 listed
- C-UL-us listed—ballast compatible
- c-UL-us classified—ballast bypass
- Long life—50,000 hours
- 5 year warranty

^{***} Power must be turned off prior to installing lamps. Sockets must be in good working order, not broken, cracked or electrically compromised. If arcing occurs at the lamp pin, thermal fuse may activate to avoid overheating of lamp.



Ballast Compatible

Item	Description	W	Bulb Shape	Base	Finish	CCT	Lm	CRI	Beam	MOL (in.)	Nominal (in.)	Life (hrs.)	UPC	Pack
S8890	12T8/LED/48-830/DUAL/BP-DR	12	T8	G13	WH	3000K	1800	83	240°	47.78	48.00	50K	045923088902	25
S8891	12T8/LED/48-835/DUAL/BP-DR	12	T8	G13	WH	3500K	1800	83	240°	47.78	48.00	50K	045923088919	25
S8892	12T8/LED/48-840/DUAL/BP-DR	12	T8	G13	WH	4000K	1900	83	240°	47.78	48.00	50K	045923088926	25
S8893	12T8/LED/48-850/DUAL/BP-DR	12	T8	G13	WH	5000K	1900	83	240°	47.78	48.00	50K	045923088933	25

Product sheet SA2316



Ballast Bypass

Item	Description	W	V	Bulb Shape	Base	Finish	CCT	Lm	CRI	Beam	MOL (in.)	Nominal (in.)	Life (hrs.)	UPC	Pack
S8890	13T8/LED/48-830/DUAL/BP-DR	13	120-277	T8	G13	WH	3000K	1800	83	240°	47.78	48.00	50K	045923088902	25
S8891	13T8/LED/48-835/DUAL/BP-DR	13	120-277	T8	G13	WH	3500K	1800	83	240°	47.78	48.00	50K	045923088919	25
S8892	13T8/LED/48-840/DUAL/BP-DR	13	120-277	T8	G13	WH	4000K	1900	83	240°	47.78	48.00	50K	045923088926	25
S8893	13T8/LED/48-850/DUAL/BP-DR	13	120-277	T8	G13	WH	5000K	1900	83	240°	47.78	48.00	50K	045923088933	25

Product sheet SA2316

LED DUAL MODE TYPE (A + B) T8 LINEAR LAMPS

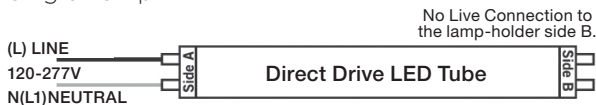
Features:

- Ballast compatible and ballast bypass in one lamp
- Single or double-ended wiring in bypass mode
- Protection from arcing
- All glass tube
- Damp location
- Compatible with Satco S8000 & S8002 EM drivers in bypass mode



SINGLE-ENDED WIRING Using non-shunted lampholders only

Single Lamp



DOUBLE-ENDED WIRING Using shunted lampholders only

Shunted Lampholders - Single Lamp / 120-277V



TYPE A

Ballast Compatible - Type A



Item	Description	W	Bulb Type	Base	Finish	CCT	Lm	CRI	Beam	MOL (in.)	Life (hrs.)	UPC	Pack
S11974	12T8/48-830/DM/A-B	12	T8	G13	FR	3000K	1700	82	210°	48.00	50K	045923119743	25
S11975	12T8/48-835/DM/A-B	12	T8	G13	FR	3500K	1700	82	210°	48.00	50K	045923119750	25
S11976	12T8/48-840/DM/A-B	12	T8	G13	FR	4000K	1800	82	210°	48.00	50K	045923119767	25
S11977	12T8/48-850/DM/A-B	12	T8	G13	FR	5000K	1800	82	210°	48.00	50K	045923119774	25

TYPE B

Ballast Bypass - Type B



Item	Description	W	V	Bulb Type	Base	Finish	CCT	Lm	CRI	Beam	MOL (in.)	Life (hrs.)	UPC	Pack
S11974	12T8/48-830/DM/A-B	12	120-277	T8	G13	FR	3000K	1700	82	210°	48.00	50K	045923119743	25
S11975	12T8/48-835/DM/A-B	12	120-277	T8	G13	FR	3500K	1700	82	210°	48.00	50K	045923119750	25
S11976	12T8/48-840/DM/A-B	12	120-277	T8	G13	FR	4000K	1800	82	210°	48.00	50K	045923119767	25
S11977	12T8/48-850/DM/A-B	12	120-277	T8	G13	FR	5000K	1800	82	210°	48.00	50K	045923119774	25

Product sheet SA2818

LED 2-PIECE 8' T8 LAMP FIELD SELECTABLE | BALLAST BYPASS



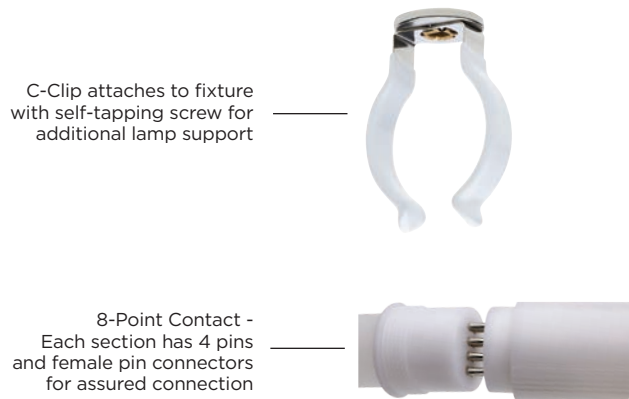
Features:

- Field selectable:
3 wattage and 5 CCT
- DLC listed when used in Fa8 applications
- Optional R17d base caps included
- C-Clip for extra lamp support included
- PET coated glass tube
- Compatible with optional 10W emergency driver
- Ships in a 4' box



Ships in a 4' Box

LED 2-PIECE 8' T8 LAMP FIELD SELECTABLE | BALLAST BYPASS



CCT Selectable
3000/3500K/4000K/5000K/6500



Item	Description	W	V	Bulb Shape	Base	Finish	Lm	CRI	Beam	MOL (in.)	MOD (in.)	Life (hrs.)	UPC	Pack
S11757	40T8/LED/96-CCT/BP/R2PC/1PK	23/32/400	120-277	T8	Fa8	WH	3500/4400/5500	82	210°	93.75	1.00	50K	045923117572	10/1

Product sheet SN1705

LED T8 LAMPS FA8 AND R17D BASE CCT SELECTABLE



Features:

- Direct replacement for fluorescent T8 or 12 lamps
- Ballast bypass - UL Type B installation
- NSF Certified - P.E.T. coated, shatter resistant glass tube
- Compatible with S8002
- Emergency driver
- 5 year warranty



ColorQuick

Selectable Color Technology

Switch to/from the following CCT

COOL WHITE - 4000K

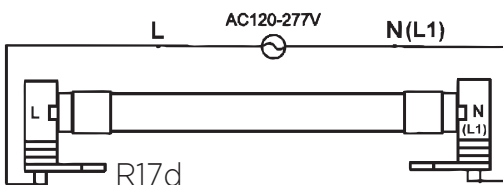
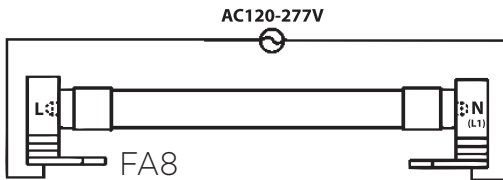
NATURAL LIGHT - 5000K

DAYLIGHT - 6500K

LED T8 LAMPS FA8 AND R17D BASE CCT SELECTABLE



WIRING DIAGRAM



Item	Description	Lm	W	V	Finish	CCT	Nominal Length	Beam Angle	UPC	Pack
FA8 Base										
S11750	14T8/LED/48-CCT/BP/FA8	1950/2000/1900	14	120-277	WH	4000K/5000K/6500K	4'	180°	045923117503	10
S11751	24T8/LED/72-CCT/BP/FA8	3300/3400/3200	24	120-277	WH	4000K/5000K/6500K	6'	180°	045923117510	10
S11752	38T8/LED/96-CCT/BP/FA8	5400/5500/5300	38	120-277	WH	4000K/5000K/6500K	8'	180°	045923117527	10
R17 Base										
S11753	18T8/LED/48-CCT/BP/R17D	2500/2600/2400	18	120-277	WH	4000K/5000K/6500K	4'	180°	045923117534	10
S11754	30T8/LED/72-CCT/BP/R17D	4200/4300/4100	30	120-277	WH	4000K/5000K/6500K	6'	180°	045923117541	10
S11755	38T8/LED/96-CCT/BP/R17D	5400/5500/5300	38	120-277	WH	4000K/5000K/6500K	8'	180°	04592397558	10

*DLC Primary Use: Internal Driver/Line Voltage (UL Type B) Lamps - S11752 Only

Product sheet SA2954

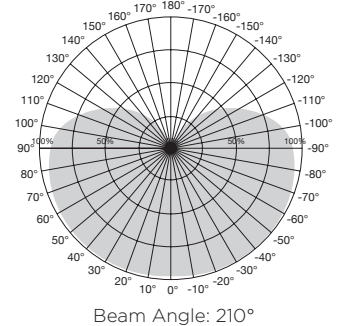
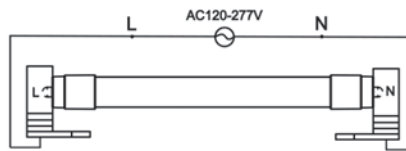
SLIMLINE 4', 6', 8' T8 BALLAST BYPASS TYPE B

Features:

- Double ended wiring
- Shatterproof coated
- Over 40% energy savings vs standard 8' T8 systems
- Slimline single pin base - replaces T8 & T12
- No ballast or external driver required
- Direct wire 120-277V line voltage
- All glass tube
- Damp location
- NSF certified
- c-UL-us classified
- Long life—50,000 hours
- 5 year warranty



Wiring Diagram



Item	Description	W	V	Bulb Shape	Base	Finish	CCT	Lm	CRI	Beam	MOL (in.)	Nominal (in.)	Life (hrs.)	UPC	Pack
S11926*	14T8/LED/48-840/BP/FA8	14	120-277	T8	FA8	WH	4000K	1900	80	210°	46.00	48.00	50K	045923119262	25
S11927*	24T8/LED/72-840/BP/FA8	24	120-277	T8	FA8	WH	4000K	3200	80	210°	70.00	72.00	50K	045923119279	10
S11957	24T8/LED/96-835/BP/FA8	24	120-277	T8	FA8	WH	3500K	3200	82	210°	94.00	96.00	50K	045923119576	10
S11958	24T8/LED/96-840/BP/FA8	24	120-277	T8	FA8	WH	4000K	3500	82	210°	94.00	96.00	50K	045923119583	10
S11959	24T8/LED/96-850/BP/FA8	24	120-277	T8	FA8	WH	5000K	3500	82	210°	94.00	96.00	50K	045923119590	10
S29917	40T8/LED/96-835/BP/FA8	40	120-277	T8	FA8	WH	3500K	5300	82	210°	94.00	96.00	50K	045923299179	10
S29918	40T8/LED/96-840/BP/FA8	40	120-277	T8	FA8	WH	4000K	5500	82	210°	94.00	96.00	50K	045923299186	10
S29919	40T8/LED/96-850/BP/FA8	40	120-277	T8	FA8	WH	5000K	5500	82	210°	94.00	96.00	50K	045923299193	10
S21925	40T8/LED/96-865/BP/FA8	40	120-277	T8	FA8	WH	6500K	5500	82	210°	94.00	96.00	50K	045923219252	10

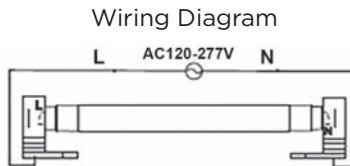
*Not DLC

Product sheet SA2683

R17D LINEAR LED BALLAST BYPASS 4', 6' & 8' TYPE B T8

Features:

- Double ended wiring
- Shatterproof coated
- Over 40% energy savings vs standard 8' T8 systems
- R17d base designed to replace T8 HO and T12 HO
- Fluorescent lamps
- No ballast or external driver required
- Direct wire 120-277V line voltage
- All glass tube
- Damp location
- NSF certified
- c-UL-us classified
- Long life—50,000 hours
- 5 year warranty



Item	Description	W	V	Bulb Shape	Base	Finish	CCT	Lm	CRI	Beam	MOL (in.)	Nominal (in.)	Life (hrs.)	UPC	Pwk
S11964	18T8/LED/48-840/BP/R17D/HO	18	120-277	T8	R17d	WH	4000K	2500	82	160°	46.00	48.00	50K	045923119644	10
S11965	18T8/LED/48-865/BP/R17D/HO	18	120-277	T8	R17d	WH	6500K	2500	82	160°	46.00	48.00	50K	045923119651	10
S11966	30T8/LED/72-840/BP/R17D/HO	30	120-277	T8	R17d	WH	4000K	4200	82	160°	70.00	72.00	50K	045923119668	10
S11967	30T8/LED/72-865/BP/R17D/HO	30	120-277	T8	R17d	WH	6500K	4200	82	160°	70.00	72.00	50K	045923119675	10
S29924	40T8/LED/96-840/BP/R17D	40	120-277	T8	R17d	WH	4000K	5500	82	210°	94.00	96.00	50K	045923299247	10
S29925	40T8/LED/96-850/BP/R17D	40	120-277	T8	R17d	WH	5000K	5500	82	210°	94.00	96.00	50K	045923299254	10
S29942	40T8/LED/96-865/BP/R17D	40	120-277	T8	R17d	WH	6500K	5500	82	210°	94.00	96.00	50K	045923299421	10

Product sheet SA2611

TYPE A T5 LAMPS

Features:

- Direct replacement for linear fluorescent T5HO lamps in existing fixtures with electronic ballasts. No rewiring required
- Over 50% energy savings vs. standard T5 systems
- All glass tube
- Compatible with rapid start ballast*
- Integrated thermal fuse at pins
- Damp location
- NSF certified
- c-UL-us listed
- DLC listed
- Long life—50,000 hours
- 5 year warranty



Item	Description	W	Bulb Shape	Base	Finish	CCT	Lm	CRI	Beam	MOL (in.)	Nominal (in.)	Life (hrs.)	UPC	Pack	
2 Ft. Lamps															
S19946	11T5/LED/22-835/DR	11	T5	G5	WH	3500K	1350	82	185°	22.5	24.00	50K	045923199462	25	
S19947	11T5/LED/22-840/DR	11	T5	G5	WH	4000K	1400	82	185°	22.5	24.00	50K	045923199479	25	
S19948	11T5/LED/22-850/DR	11	T5	G5	WH	5000K	1400	82	185°	22.5	24.00	50K	045923199486	25	
4 Ft. Lamps															
S29912	25T5/LED/46-835/DR	25	T5	G5	WH	3500K	3300	82	185°	46.00	48.00	50K	045923299124	10	
S29910*	25T5/LED/46-840/DR	25	T5	G5	WH	4000K	3500	82	185°	46.00	48.00	50K	045923299100	10	
S29911	25T5/LED/46-850/DR	25	T5	G5	WH	5000K	3500	82	185°	46.00	48.00	50K	045923299117	10	

*May not be compatible with all rapid start ballasts. Visit www.satco.com for an approved list.

Product sheet SA2306

LED T5 LAMPS - TYPE B

CCT SELECTABLE



Features:

- CCT selectable
- Single or double-ended wiring
- Frosted glass lens
- 120-277 models available in 2', 3', and 4' lengths
- 347V model available in 4' for high voltage applications



Item	Description	W	V	Bulb Shape	Base	Finish	CCT	Lm	CRI	Beam	MOL (in.)	Nominal (in.)	Life (hrs.)	UPC	Pack
S11650	9T5/LED/24-CCT/BP/HE/SE-DE	9	120-277	T5	G5	WH	3000K-6500K	1100-1175-1200-1250-1150	82	160°	22.5	24	50K	045923116506	25
S11651	12T5/LED/36-CCT/BP/HE/SE-DE	12	120-277	T5	G5	WH	3000K-6500K	1500-1575-1600-1650-1550	82	160°	33.98	36	50K	045923116513	25
S11652	13T5/LED/48-CCT/BP/HE/SE-DE	13	120-277	T5	G5	WH	3000K-6500K	1700-1775-1800-1850-1750	82	160°	45.8	48	50K	045923116520	25
S11653	12T5/LED/24-CCT/BP/HO/SE-DE	12	120-277	T5	G5	WH	3000K-6500K	1500-1575-1600-1650-1550	82	160°	22.5	24	50K	045923116537	25
S11654	16T5/LED/36-CCT/BP/HO/SE-DE	16	120-277	T5	G5	WH	3000K-6500K	2000-2075-2100-2150-2050	82	160°	33.98	36	50K	045923116544	25
S11655	25T5/LED/48-CCT/BP/HO/SE-DE	25	120-277	T5	G5	WH	3000K-6500K	3000-3450-3500-3600-3400	82	160°	45.8	48	50K	045923116551	25
S11656	25T5/LED/48-CCT/BP/HO/DE	25	120-347V	T5	G5	WH	3000K-6500K	3000-3450-3500-3600-3400	82	160°	45.8	48	50K	045923116568	25

Product sheet SA3025

LED T5 TYPE B BALLAST BYPASS

Features:

Double or single ended ballast bypass replacement for linear fluorescent T5 HO & HE lamps in existing fixtures.

No ballast or external driver required

Available in 2', 3' & 4'

Direct wire 120-277V line voltage

Single or double-ended wiring

All glass tube, PET-shatterproof coated

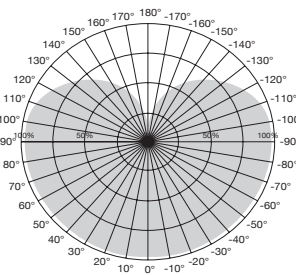
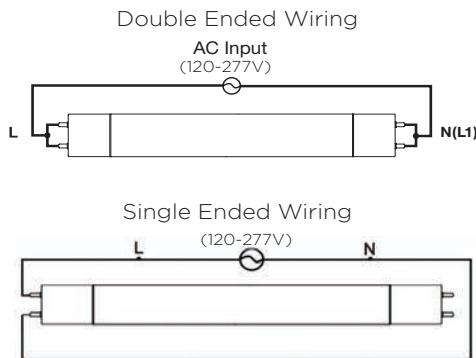
Damp location

c-UL-us classified

NSF certified

DLC listed* Long life—50,000 hours

5 year warranty



Item	Description	W	V	Bulb Shape	Base	Finish	CCT	Lm	CRI	Beam	MOL (in.)	Nominal (in.)	Life (hrs.)	UPC	Pack
S28693	12T5/LED/24-835/BP/HO/SE-DE	12	120-277	T5	G5	WH	3500K	1400	83	240°	22.50	24.00	50K	045923286933	25
S28694	12T5/LED/24-840/BP/HO/SE-DE	12	120-277	T5	G5	WH	4000K	1450	83	240°	22.50	24.00	50K	045923286940	25
S28695	12T5/LED/24-850/BP/HO/SE-DE	12	120-277	T5	G5	WH	5000K	1500	83	240°	22.50	24.00	50K	045923286957	25
S28696	16T5/LED/36-835/BP/HO/SE-DE	16	120-277	T5	G5	WH	3500K	1800	83	240°	34.00	36.00	50K	045923286964	25
S28697	16T5/LED/36-840/BP/HO/SE-DE	16	120-277	T5	G5	WH	4000K	1850	83	240°	34.00	36.00	50K	045923286971	25
S28698	16T5/LED/36-850/BP/HO/SE-DE	16	120-277	T5	G5	WH	5000K	1900	83	240°	34.00	36.00	50K	045923286988	25
S28690*	13T5/LED/46-835/BP/HE/SE-DE	13	120-277	T5	G5	WH	3500K	1600	83	240°	46.00	48.00	50K	045923286902	25
S28691*	13T5/LED/46-840/BP/HE/SE-DE	13	120-277	T5	G5	WH	4000K	1650	83	240°	46.00	48.00	50K	045923286919	25
S28692*	13T5/LED/46-850/BP/HE/SE-DE	13	120-277	T5	G5	WH	5000K	1700	83	240°	46.00	48.00	50K	045923286926	25
S39717*	25T5/LED/46-835/BP/HO/SE-DE	25	120-277	T5	G5	WH	3500K	3200	83	240°	46.00	48.00	50K	045923397172	25
S39718*	25T5/LED/46-840/BP/HO/SE-DE	25	120-277	T5	G5	WH	4000K	3300	83	240°	46.00	48.00	50K	045923397189	25
S39719*	25T5/LED/46-850/BP/HO/SE-DE	25	120-277	T5	G5	WH	5000K	3400	83	240°	46.00	48.00	50K	045923397196	25
S39720*	25T5/LED/46-865/BP/HO/SE-DE	25	120-277	T5	G5	WH	6500K	3400	83	240°	46.00	48.00	50K	045923397202	25

Product sheet SA2684

LED T5 MINI BI-PIN (G5) BALLAST BYPASS TYPE B

Features:

Ballast bypass replacement for mini bi-pin linear fluorescent T5 preheat lamps in existing fixtures.

No ballast or external driver required

Available in 6", 9", 12", & 21"

Direct wire 120-277V line voltage

PET shatterproof coated

Damp location

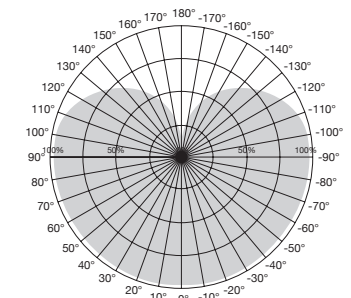
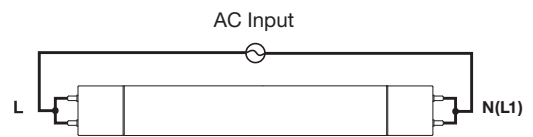
c-UL-us classified

Long life—50,000 hours

5 year warranty



Double Ended Wiring



Beam Angle: 240°



Item	Description	W	V	Bulb Shape	Base	Finish	CCT	Lm	CRI	Beam	MOL (in.)	Nominal (in.)	Life (hrs.)	UPC	Pack
S11900	2W/LED/T5/840/BP	2	120-277	T5	G5	FR	4000K	150	82	240°	5.91	6.00	50K	045923119002	200/10
S11901	2W/LED/T5/865/BP	2	120-277	T5	G5	FR	6500K	150	82	240°	5.91	6.00	50K	045923119019	200/10
S11902	3W/LED/T5/840/BP	3	120-277	T5	G5	FR	4000K	270	82	240°	8.91	9.00	50K	045923119026	200/10
S11903	3W/LED/T5/865/BP	3	120-277	T5	G5	FR	6500K	270	82	240°	8.91	9.00	50K	045923119033	200/10
S11904	4W/LED/T5/830/BP	4	120-277	T5	G5	FR	3000K	400	82	240°	11.91	12.00	50K	045923119040	100/10
S11905	4W/LED/T5/840/BP	4	120-277	T5	G5	FR	4000K	400	82	240°	11.91	12.00	50K	045923119057	100/10
S11906	4W/LED/T5/865/BP	4	120-277	T5	G5	FR	6500K	400	82	240°	11.91	12.00	50K	045923119064	100/10
S11907	7W/LED/T5/830/BP	7	120-277	T5	G5	FR	3000K	700	82	240°	20.91	21.00	50K	045923119071	100/10
S11908	7W/LED/T5/840/BP	7	120-277	T5	G5	FR	4000K	700	82	240°	20.91	21.00	50K	045923119088	100/10
S11909	7W/LED/T5/865/BP	7	120-277	T5	G5	FR	6500K	700	82	240°	20.91	21.00	50K	045923119095	100/10

Product sheet SA2463

7W LINEAR LED T8 TYPE B BALLAST BYPASS LAMPS



Features:

F15T8 replacement
7W, 18" LED

Works with existing sockets -
shunted or non-shunted

No ballast or external
driver required

Built-in shock resistant circuit

Direct wire 120-277V

All glass tube with PET
shatterproof coating

ETL conforms to NSF
standards

Long life—50,000 hours

5 year warranty



Item	Description	W	V	Bulb Shape	Base	Finish	CCT	Lm	CRI	Beam	MOL (in.)	Nominal (in.)	Life (hrs.)	UPC	Pack
S11950	7T8/LED/18-830/BP	7	120-277	T8	G13	FR	3000K	700	83	160°	17.8	18.00	50K	045923119507	25
S11951	7T8/LED/18-840/BP	7	120-277	T8	G13	FR	4000K	750	83	160°	17.8	18.00	50K	045923119514	25
S11952	7T8/LED/18-865/BP	7	120-277	T8	G13	FR	6500K	770	83	160°	17.8	18.00	50K	045923119521	25

Product sheet SA2739

LED T8 SIGN LAMPS CCT SELECTABLE



Features:

- CCT selectable - 4000K/5000K/6500K
- Direct replacement for fluorescent high output sign lamps
- UL type B - ballast ballast bypass installation
- Double ended wiring for easy installation
- 14 available lengths from 18" to 120"
- Double sided LED for 360° of illumination
- 90° rotatable R17d endcaps



ColorQuick™

Selectable Color Technology

Switch to/from the following CCT

COOL WHITE - 4000K

NATURAL LIGHT - 5000K

DAYLIGHT - 6500K

LED T8 SIGN LAMPS CCT SELECTABLE

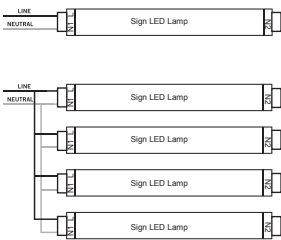


90° Rotatable
end cap

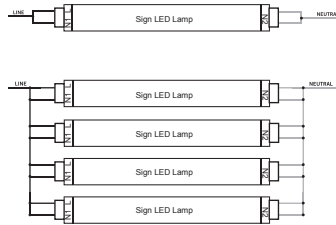


SINGLE OR DOUBLE ENDED WIRING

SINGLE ENDED WIRING



DOUBLE ENDED WIRING



Item	Description	W	Lm	V	CCT Selectable	Nominal (in.)	UPC	Pack
S16430	7T8/LED/HO-SIGN/18-3CCT/BP/SE-DE	7	950/1000/900	120-277	4000K/5000K/6500K	18	045923164309	10
S16431	9T8/LED/HO-SIGN/24-3CCT/BP/SE-DE	9	1250/1300/1200	120-277	4000K/5000K/6500K	24	045923164316	10
S16432	11T8/LED/HO-SIGN/30-3CCT/BP/SE-DE	11	1,500/1600/1450	120-277	4000K/5000K/6500K	30	045923164323	10
S16433	12T8/LED/HO-SIGN/36-3CCT/BP/SE-DE	12	1650/1750/1600	120-277	4000K/5000K/6500K	36	045923164330	10
S16434	15T8/LED/HO-SIGN/42-3CCT/BP/SE-DE	15	2100/2200/2050	120-277	4000K/5000K/6500K	42	045923164347	10
S16435	18T8/LED/HO-SIGN/48-3CCT/BP/SE-DE	18	2500/2600/2450	120-277	4000K/5000K/6500K	48	045923164354	10
S16436*	24T8/LED/HO-SIGN/60-3CCT/BP/SE-DE	24	3350/3450/3300	120-277	4000K/5000K/6500K	60	045923164361	10
S16437*	26T8/LED/HO-SIGN/64-3CCT/BP/SE-DE	26	3650/3750/3600	120-277	4000K/5000K/6500K	64	045923164378	10
S16438*	30T8/LED/HO-SIGN/72-3CCT/BP/SE-DE	30	4200/4350/4150	120-277	4000K/5000K/6500K	72	045923164385	10
S16439*	32T8/LED/HO-SIGN/84-3CCT/BP/SE-DE	32	4500/4650/4400	120-277	4000K/5000K/6500K	84	045923164392	10
S16440*	36T8/LED/HO-SIGN/96-3CCT/BP/SE-DE	36	5000/5200/4900	120-277	4000K/5000K/6500K	96	045923164408	10
S16441*	42T8/LED/HO-SIGN/108-3CCT/BP/SE-DE	42	5800/6000/5700	120-277	4000K/5000K/6500K	108	045923164415	10
S16442*	45T8/LED/HO-SIGN/117-3CCT/BP/SE-DE	45	6300/6500/6200	120-277	4000K/5000K/6500K	117	045923164422	10
S16443*	48T8/LED/HO-SIGN/120-3CCT/BP/SE-DE	48	6700/6900/6600	120-277	4000K/5000K/6500K	120	045923164439	10

*All items 60" and up (S16436 - S16443) must be ordered and shipped in full cases only (order in multiples of 10pcs)

Product sheet SA2969

LED T8 U-BEND LAMPS

FIELD SELECTABLE | U6 & U1 LEG SPACING



Features:

- Field selectable (CCT and wattage)
- Type A/B ballast bypass
- NSF® approved
- Single & double ended wiring
- Full glass housing



6" Leg Spacing

1-5/8" Leg Spacing



Item	Description	W	Lm	Input Current @120V/277V	Ballast Type	CCT	Size	UPC	Pack
S18413	15T8/U6/LED/5CCT/DUAL	11.5/13/15	1800/2000/2200	0.192A	Type A/B	3000K/3500K/4000K/5000K/6500K	045923184130		12
S18414	15T8/U1/LED/5CCT/DUAL	11.5/13/15	11800/2000/2200	0.192A	Type A/B	3000K/3500K/4000K/5000K/6500K	045923184147		12

Product sheet SN1697

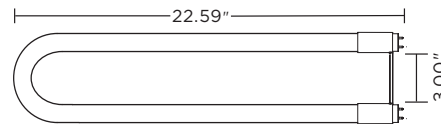
LED U-BEND LAMPS CCT SELECTABLE - U3



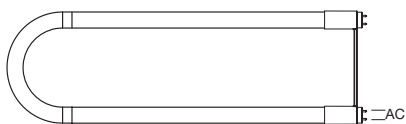
Features:

- CCT selectable
- Direct replacement for fluorescent U-bend lamps
- Ballast bypass
- Shatterproof tube
- Single or double-ended wiring when installed for ballast bypass operation
- 5 year warranty

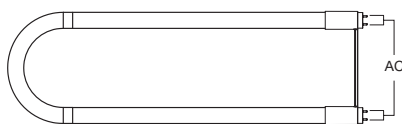
SOFT WHITE - 3000K
COOL WHITE - 4000K
NATURAL LIGHT - 5000K



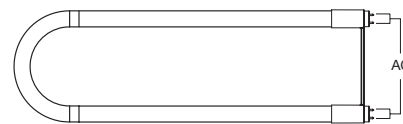
Wiring Options—Ballast Bypass Type B - 120-277V



Single Ended — Non-Shunted Sockets



Double Ended — Non-Shunted Sockets



Double Ended — Shunted Sockets



Item	Description	Lm	W	Input Current @120V/277V	Ballast Type	CCT	Size	UPC	Pack
S18412	13T8/U3/LED/CCT/BP	1850/1950/1950	13W	0.11-0.05A	Ballast Bypass - Type B	3000K/4000K/5000K	3"	045923184123	12

Product sheet SA2955

LED CIRCLINE LAMPS CCT SELECTABLE | G10Q BASE



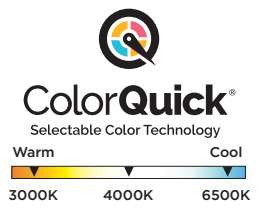
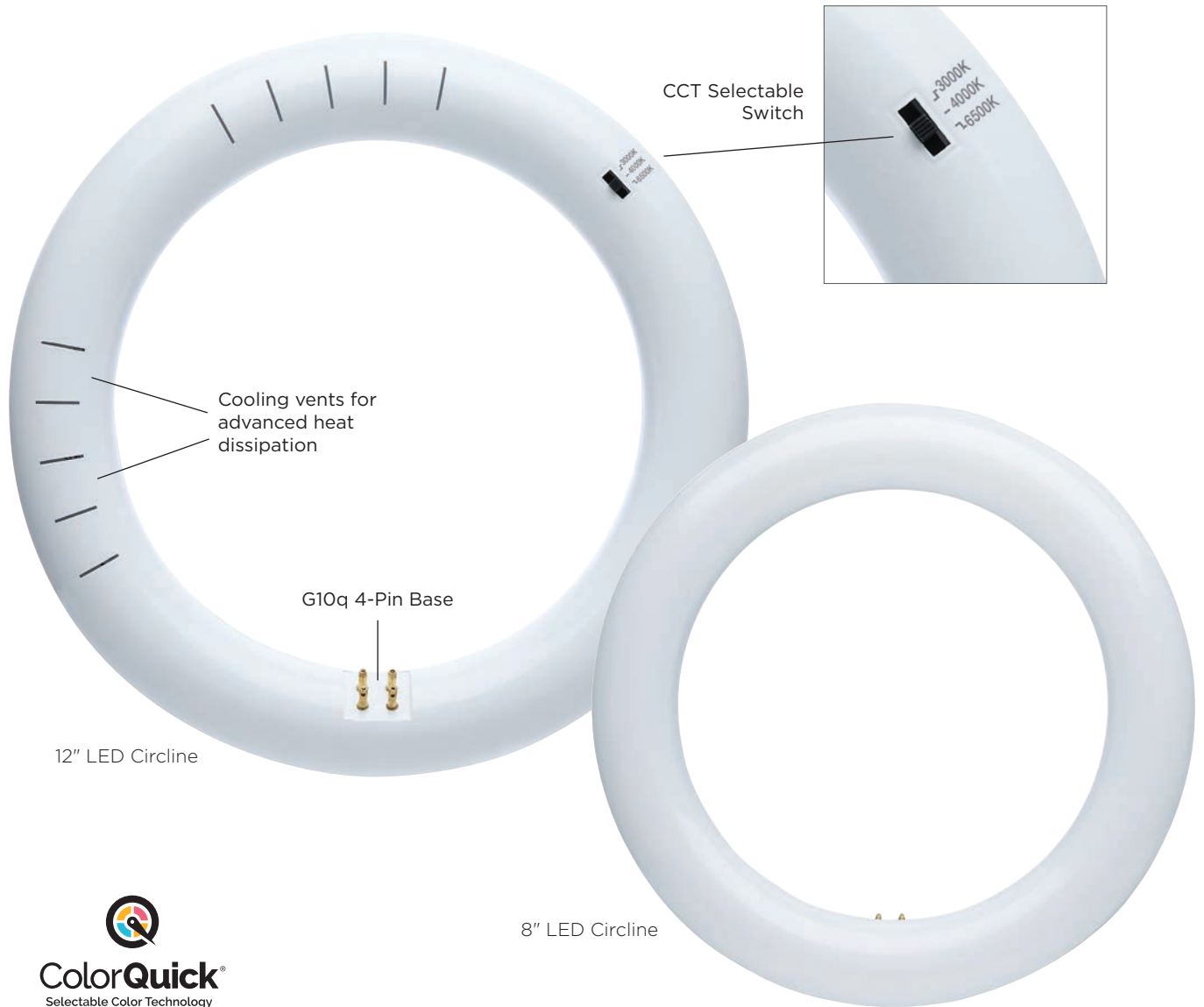
Features:

- 3 CCT selectable
- Range voltage 120V-277V
- Dual mode type A/B
- Offered in 8" and 12" models



LED CIRCLINE LAMPS

CCT SELECTABLE | G10Q BASE



Item	Description	W	V	Bulb Shape	Base	Finish	CCT	Lm	CRI	Beam	MOL (in.)	Life (hrs.)	Pack
S16510	FC8T9/LED/CIR/CCT/DM/A-B	11W	120-277	T9	G10q	FR	3000K/4000K/6500K	1300L/1400L/1350L	80+	180°	8.08	50K	12
S16511	FC12T9/LED/CIR/CCT/DM/A-B	16	120-277	T9	G10q	FR	3000K/4000K/6500K	1850L/2000L/1950L	80+	135°	11.82	50K	12

Product sheet SN1577

LINEAR LED T8 & T5HO TYPE C SYSTEM

Features:

Dedicated LED linear lamps and driver system with integral 0-10V dimming. For retrofit and installation in new fixtures

Driver footprint matches ballast footprint

High efficiency

Compatible with instant start wiring

Low flicker design

120-277V, 0-10V Dimming

3000, 3500, 4000, 5000K

82 CRI

All glass lamps, damp rated

DLC listed

Built-in surge protection

50,000 hour life

5 year warranty

Applications:

Replacement of existing Linear Fluorescent lamps and ballast commonly found in commercial and industrial sites, and new installations

Satco Type C systems include:

Dedicated LED lamp and driver system

DLC rated for use in utility programs

Linear LED
T8 Type C

Linear LED
T5 Type C



S8012
1-2 Lamp driver



S8013
3-4 Lamp driver



S8014
1-2 Lamp driver



S8015
3-4 Lamp driver

Note: Fluorescent lamps are not compatible with Type C drivers

LINEAR LED T8 & T5 TYPE C SYSTEM



Item	Description	W	Bulb Shape	Base	Finish	CCT	Lm	CRI	Beam	MOL (in.)	Nominal (in.)	Life (hrs.)	UPC	Pack
2FT														
S11930	8T8/LED/24-830/XD	8	T8	G13	FR	3000K	1200	82	220°	24.00	24.00	50K	045923119309	25
S11931	8T8/LED/24-835/XD	8	T8	G13	FR	3500K	1200	82	220°	24.00	24.00	50K	045923119316	25
S11932	8T8/LED/24-840/XD	8	T8	G13	FR	4000K	1200	82	220°	24.00	24.00	50K	045923119323	25
S11933	8T8/LED/24-850/XD	8	T8	G13	FR	5000K	1200	82	220°	24.00	24.00	50K	045923119330	25
3FT														
S11934	11T8/LED/36-830/XD	11	T8	G13	FR	3000K	1600	82	220°	36.00	36.00	50K	045923119347	25
S11935	11T8/LED/36-835/XD	11	T8	G13	FR	3500K	1600	82	220°	36.00	36.00	50K	045923119354	25
S11936	11T8/LED/36-840/XD	11	T8	G13	FR	4000K	1600	82	220°	36.00	36.00	50K	045923119361	25
S11937	11T8/LED/36-850/XD	11	T8	G13	FR	5000K	1600	82	220°	36.00	36.00	50K	045923119378	25
4FT														
S11938	12T8/LED/48-830/XD	12	T8	G13	FR	3000K	1800	82	220°	48.00	48.00	50K	045923119385	25
S11939	12T8/LED/48-835/XD	12	T8	G13	FR	3500K	1800	82	220°	48.00	48.00	50K	045923119392	25
S11940	12T8/LED/48-840/XD	12	T8	G13	FR	4000K	1800	82	220°	48.00	48.00	50K	045923119408	25
S11941	12T8/LED/48-850/XD	12	T8	G13	FR	5000K	1800	82	220°	48.00	48.00	50K	045923119415	25

Product sheet SA2613

LED T8 Type C Drivers

Item	Description	Lamps driven	V in	V out	Current in 120V	Current in 277V	Current out 120V, 277V	Freq. input HZ	Power factor 120V	Power factor 277V	Operating temp.	Storage temp.	UPC
S8012	LED driver/ 2', 3', 4'/Type C/T8	1, 2	120-277	24-48	300	130	290	50/60	0.95	0.93	-20° to 55°C	-40° to 85°C	045923090127
S8013	LED driver/ 2', 3', 4'/Type C/T8	3, 4	120-277	24-48	590	230	290	50/60	0.95	0.93	-20° to 55°C	-40° to 85°C	045923090134

Product sheet SA2613



Item	Description	W	Bulb Shape	Base	Finish	CCT	Lm	CRI	Beam	MOL (in.)	Nominal (in.)	Life (hrs.)	UPC	Pack
4FT T5														
S11942	23T5/LED/48-835/XD	23	T5	G5	FR	3500K	3400	82	220°	48.00	48.00	50K	045923119422	25
S11943	23T5/LED/48-840/XD	23	T5	G5	FR	4000K	3400	82	220°	48.00	48.00	50K	045923119439	25
S11944	23T5/LED/48-850/XD	23	T5	G5	FR	5000K	3400	82	220°	48.00	48.00	50K	045923119446	25

Product sheet SA2613

LED T5 Type C Drivers

Item	Description	Lamps driven	V in	V out	Current in 120V	Current in 277V	Current out 120V, 277V	Freq. input HZ	Power factor 120V	Power factor 277V	Operating temp.	Storage temp.	UPC	Pack
S8014	LED driver/4'/ Type C/T5	1, 2	120-277	30-48	540	240	530	50/60	0.95	0.93	-20° to 55°C	-40° to 85°C	045923080142	25
S8015	LED driver/4'/ Type C/T5	3, 4	120-277	30-45	1020	450	530	50/60	0.98	0.96	-20° to 55°C	-40° to 85°C	045923080159	25

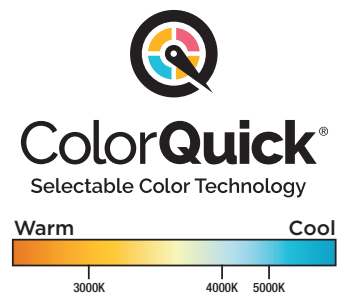
Product sheet SA2613

LED T8 LAMPS WITH BATTERY BACKUP - CCT SELECTABLE

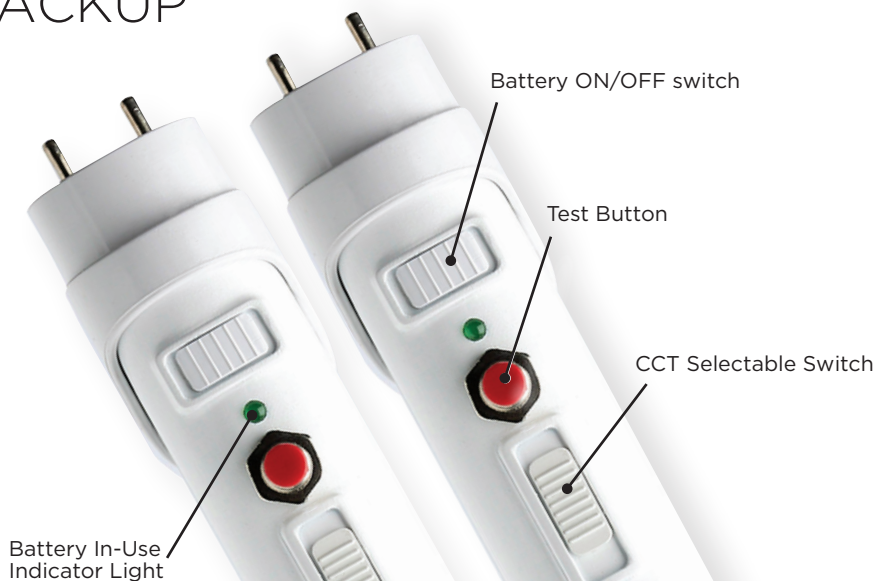


Features:

- Provides up to 90 minutes of illumination during power outages
- Battery on/off switch conserves battery after installation*
- Integrated aluminum heatsink to promote heat dissipation
- Features ColorQuick technology, allowing for easy selection of CCT at installation
- 5 year warranty

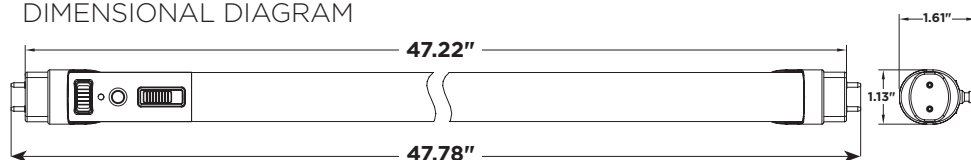


LED T8 LAMPS WITH BATTERY BACKUP



- Ballast Bypass - Direct Wire 120V - 277V
- Non-Shunted Sockets

DIMENSIONAL DIAGRAM



Item	Description	W	V	Lm	Battery Wattage	Battery Lumens	CCT	UPC	Pack
S11730	15T8/LED/48-CCT/EM/BP	15	120-277	1850/2000/1900	3.5W	500	3500K/4000K/5000K	045923117305	20/1
S11731	17T8/LED/48-CCT/EM/BP	17	120-277	2100/2300/2200	5W	700	3500K/4000K/5000K	045923117312	20/1

Product sheet SA3002

TYPE B LED EMERGENCY BACK-UP FOR LED T8 AND T5 BALLAST BYPASS LAMPS

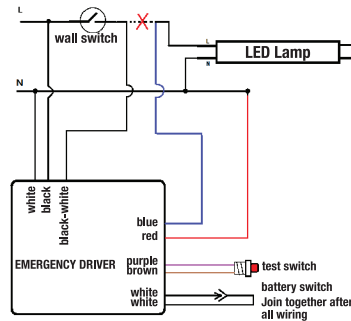
Features:

- 5 watt or 10 watt output power options
- Driver type: constant wattage LED emergency
- Approximate lumens output 500ms-1000lms
- LED test switch and indicator light included
- Operating frequency: 50/60 Hz
- Max. current: 100mA@120v / 215mA@120v
- 1.8 Watt standby power
- 90 minute battery run time
- Output and over-power protection
- Recharge 24 hours max
- Lithium Ion battery
- 120-277V input
- Damp location
- 5 year warranty

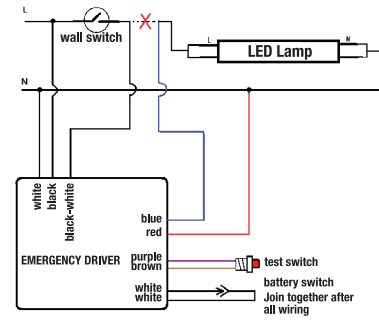


Wiring Instructions

Single Ended Wiring



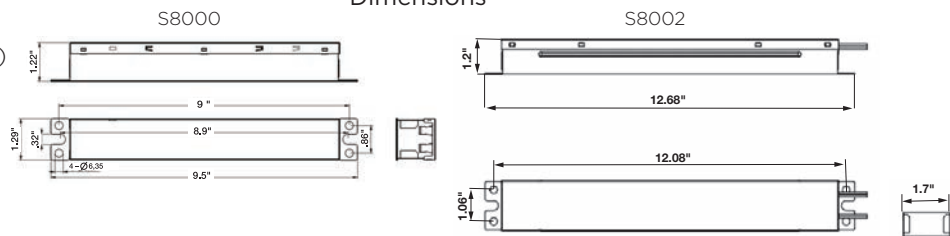
Double Ended Wiring



Compatibility:

- Satco 4' T8 (S9720-S9723)
- Satco U-Bend (S9930-S9933)
- Satco 4' T5 LED bypass lamps (S29717-S29719)
- Satco 2G11 PL-L (S9950-9951)
- Satco 2' T8 (S29900-S29905)
- Satco 4' T8 (S11924, S29913-S29916)
- Satco 3' T8 (S29926-S29929)
- Satco 4' T8 (S29904-S29907)

Dimensions



Accessories:

Driver enclosure sold separately (80-973)



Item	Description	Watts	Voltage	Length	Max. Current	Dimensions	Power Factor	UPC	Pack
S8000	5W Emergency LED driver	5	120-277	9.5"	100mA@120V	1.3"W x 1.22"H x 9.5"L	70.35	045923080005	25
S8002	10W Emergency LED driver	10	120-277	9.5"	215mA@120V	1.31"W x 1.21"H x 9.52"L	70.35	0459230800029	12

Meets UL924, CEC Title 20, FCC15 Part 15 Class A, Compliance.

Product sheet SA2363

LED RETROFIT SURFACE MOUNT MODULE CCT SELECTABLE | ROUND

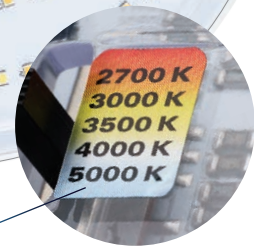


Features:

- 5 CCT selectable
- Exceptional color rendering
- Easily retrofit existing fixtures
- Three convenient mounting options (Accessories included)

Pre-Drilled Holes for Self-Tapping Screws

5 CCT Selectable at Installation

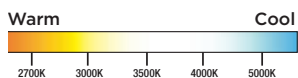


Magnets Hold Module In Place During Installation

Spacing Allows For Advanced Thermal Management



ColorQuick[®]
Selectable Color Technology



Item	Description	W	V	Lm	Finish	CCT	CRI	Height (in.)	Diameter (in.)	UPC	Pack
S29781	21W 5CCT CIRCULAR LED RETROFIT	21	120	1800	Clear	2700K/3000K/3500K/4000K/5000	90	1.28	7.9	045923297816	20/1

Product sheet SN1707

INDEX

Item	Page	Item	Page	Item	Page	Item	Page
80-929..158, 159, 162		S8530.....189		S9153.....43		S9577.....37	
80-954.....157, 162		S8531.....189		S9154.....43		S9578.....37	
80-955.....157		S8532.....189		S9155.....43		S9579.....37	
80-956.....157, 162		S8533.....189		S9156.....43		S9583.....37	
80-957.....157, 162		S8534.....189		S9157.....43		S9584.....37	
80-974.....137		S8535.....189		S9158.....43		S9590.....47	
80-975.....137		S8536.....189		S9159.....43		S9591.....47	
80-976.....137		S8537.....189		S9160.....43		S9592.....47	
80-977.....137		S8538.....189		S9161.....43		S9616.....115	
80-978.....137		S8539.....189		S9162.....43		S9620.....87	
80-979.....137		S8564.....61		S9163.....43		S9621.....87	
80-980.....145		S8565.....61		S9164.....43		S9622.....87	
80-981.....145		S8566.....65		S9165.....43		S9623.....87	
80-982.....145		S8567.....65		S9166.....43		S9624.....87	
80-983.....145		S8568.....65		S9167.....43		S9627.....87	
80-988.....145		S8570.....67		S9168.....43		S9630.....87	
80-989.....145		S8571.....67		S9169.....43		S9631.....87	
80-990.....137		S8572.....46		S9170.....43		S9632.....87	
80-991.....137		S8573.....46		S9171.....43		S9633.....87	
80-992.....137		S8585.....113		S9172.....43		S9634.....89	
80-993.....137		S8588.....118		S9173.....43		S9635.....89	
80-994.....137		S8589.....118		S9174.....43		S9636.....89	
80-995.....137		S8603.....119		S9175.....43		S9637.....89	
80-2626.....209		S8604.....119		S9176.....43		S9638.....89	
80-2627.....209		S8605.....119		S9177.....43		S9639.....89	
80-2628.....209		S8612.....37		S9200.....75		S9640.....89	
80-2629.....209		S8635.....115		S9201.....75		S9641.....89	
86-215.....159		S8636.....115		S9202.....75		S9698.....88	
92-410.....158, 159		S8637.....115		S9203.....75		S9703.....49	
93-5005.....170		S8638.....115		S9280.....113		S9704.....49	
93-5006.....170		S8639.....115		S9281.....113		S9707.....49	
93-5007.....170		S8640.....115		S9282.....113		S9708.....49	
93-5034.....170		S8641.....115		S9283.....113		S9709.....49	
93-5035.....170		S8642.....115		S9316.....67		S9753.....158	
D2100.....54		S8643.....115		S9317.....67		S9754.....158	
D2104.....54		S8644.....115		S9318.....67		S9755.....158	
D2105.....54		S8676.....118		S9319.....67		S9779.....158	
D2106.....66		S8677.....118		S9380.....118		S9854.....188	
D2107.....66		S8678.....118		S9381.....118		S9855.....188	
S8000.....234		S8679.....118		S9382.....118		S9856.....188	
S8002.....234		S8750.....185		S9383.....118		S9857.....188	
S8012.....230, 231		S8760.....185		S9384.....118		S9862.....188	
S8013.....230, 231		S8890.....212		S9385.....118		S9863.....188	
S8014.....230, 231		S8891.....212		S9386.....113		S9864.....188	
S8015.....230, 231		S8892.....212		S9387.....113		S9865.....188	
S8021.....35		S8893.....212		S9388.....113		S9873.....37	
S8022.....35		S8950.....75		S9389.....113		S9950.....193	
S8023.....35		S8951.....75		S9490.....115		S9951.....193	
S8024.....35		S8952.....75		S9491.....115		S9952.....193	
S8025.....35		S8953.....75		S9492.....115		S9953.....193	
S8026.....35		S9030.....46		S9493.....115		S9966.....39	
S8027.....35		S9031.....46		S9494.....115		S9967.....39	
S8189.....80		S9032.....46		S9495.....115		S9968.....39	
S8190.....80		S9033.....46		S9496.....115		S9969.....39	
S8191.....80		S9064.....46		S9497.....115		S9970.....39	
S8480.....49		S9065.....46		S9498.....115		S9971.....39	
S8481.....49		S9067.....46		S9499.....115		S9980.....120	
S8482.....49		S9068.....46		S9550.....113		S9981.....120	
S8489.....61		S9150.....43		S9551.....113		S9982.....120	
S8490.....65		S9151.....43		S9552.....115		S9983.....120	
S8499.....61		S9152.....43		S9553.....115		S9986.....37	
						S9987.....37	
						S10520.....5	
						S10521.....5	
						S10522.....5	
						S10523.....5	
						S10524.....5	
						S10525.....5	
						S11200.....77	
						S11201.....77	
						S11218.....74	
						S11219.....74	
						S11220.....127	
						S11221.....127	
						S11222.....127	
						S11223.....127	
						S11224.....74	
						S11225.....74	
						S11230.....124	
						S11231.....124	
						S11232.....124	
						S11233.....124	
						S11234.....124	
						S11235.....124	
						S11236.....124	
						S11237.....124	
						S11238.....124	
						S11239.....124	
						S11300.....27	
						S11301.....27	
						S11302.....27	
						S11303.....27	
						S11304.....27	
						S11305.....27	
						S11306.....27	
						S11307.....27	
						S11308.....30	
						S11310.....60	
						S11311.....60	
						S11312.....29	
						S11313.....29	
						S11314.....29	
						S11320.....47	
						S11321.....47	
						S11329.....68	
						S11330.....68	
						S11331.....68	
						S11332.....68	
						S11333.....87	
						S11334.....115	
						S11335.....115	
						S11336.....115	
						S11340.....115	
						S11341.....115	
						S11342.....115	
						S11343.....115	
						S11344.....17	
						S11345.....17	
						S11346.....17	
						S11355.....8	
						S11356.....8	
						S11357.....9	

Item	Page	Item	Page	Item	Page	Item	Page	Item	Page
S11358.....	9	S11452.....	47	S11555.....	181	S11781.....	85	S11935.....	231
S11359.....	9	S11453.....	47	S11556.....	181	S11782.....	83	S11936.....	231
S11360.....	9	S11454.....	61	S11580.....	93	S11783.....	83	S11937.....	231
S11361.....	9	S11455.....	61	S11581.....	93	S11784.....	83	S11938.....	231
S11362.....	9	S11456.....	61	S11582.....	93	S11785.....	83	S11939.....	231
S11383.....	17	S11457.....	61	S11583.....	93	S11790.....	45	S11940.....	231
S11384.....	17	S11458.....	52	S11584.....	93	S11791.....	45	S11941.....	231
S11385.....	17	S11459.....	52	S11585.....	93	S11792.....	45	S11942.....	231
S11389.....	115	S11465.....	69	S11586.....	93	S11793.....	45	S11943.....	231
S11390.....	115	S11466.....	69	S11587.....	93	S11794.....	45	S11944.....	231
S11391.....	115	S11467.....	69	S11588.....	93	S11795.....	45	S11950.....	223
S11392.....	115	S11468.....	57	S11589.....	93	S11796.....	45	S11951.....	223
S11393.....	115	S11469.....	57	S11590.....	93	S11800R1.....	131	S11952.....	223
S11394.....	115	S11470.....	89	S11591.....	93	S11801R1.....	131	S11953.....	209
S11395.....	115	S11471.....	89	S11592.....	101	S11820R1.....	131	S11954.....	209
S11396.....	115	S11472.....	89	S11640.....	141	S11821R1.....	131	S11955.....	209
S11397.....	115	S11473.....	89	S11641.....	141	S11822.....	131	S11956.....	209
S11398.....	115	S11474.....	89	S11650.....	220	S11824.....	131	S11957.....	218
S11399.....	115	S11475.....	107	S11651.....	220	S11825R1.....	131	S11958.....	218
S11400.....	55	S11476.....	107	S11652.....	220	S11832R1.....	133	S11959.....	218
S11401.....	55	S11477.....	19	S11653.....	220	S11833R1.....	133	S11960.....	201
S11402.....	47	S11478.....	19	S11654.....	220	S11834R1.....	133	S11961.....	201
S11403.....	47	S11480.....	69	S11655.....	220	S11835R1.....	133	S11962.....	201
S11404.....	47	S11481.....	69	S11656.....	220	S11836R1.....	133	S11963.....	201
S11405.....	47	S11482.....	69	S11660.....	206	S11837R1.....	133	S11964.....	219
S11406.....	49	S11483.....	69	S11661.....	206	S11838.....	146	S11965.....	219
S11407.....	49	S11484.....	69	S11662.....	206	S11846.....	143	S11966.....	219
S11408.....	49	S11485.....	69	S11663.....	206	S11854.....	135	S11967.....	219
S11409.....	49	S11486.....	111	S11664.....	206	S11855.....	135	S11974.....	213
S11410.....	55	S11487.....	111	S11665.....	206	S11856.....	135	S11975.....	213
S11411.....	55	S11488.....	111	S11666.....	206	S11857.....	135	S11976.....	213
S11412.....	55	S11490R1.....	67	S11730.....	233	S11858.....	135	S11977.....	213
S11413.....	55	S11491R1.....	67	S11731.....	233	S11859.....	135	S11978.....	205
S11414.....	51	S11492R1.....	67	S11740R1.....	197	S11882.....	137	S12114.....	30
S11415.....	51	S11493R1.....	67	S11741R1.....	197	S11883.....	137	S12115.....	17
S11416.....	51	S11494.....	111	S11742R1.....	197	S11884.....	137	S12116.....	17
S11417.....	51	S11495.....	111	S11743R1.....	197	S11885.....	137	S12117.....	17
S11418.....	65	S11496.....	111	S11744.....	203	S11900.....	222	S12118.....	17
S11419.....	65	S11497.....	111	S11745.....	203	S11901.....	222	S12120.....	123
S11422.....	65	S11498.....	111	S11746.....	203	S11902.....	222	S12121.....	123
S11423.....	65	S11499.....	111	S11747.....	203	S11903.....	222	S12122.....	123
S11424.....	65	S11515.....	67	S11750.....	217	S11904.....	222	S12123.....	123
S11425.....	65	S11516.....	67	S11751.....	217	S11905.....	222	S12124.....	123
S11427.....	59	S11517.....	67	S11752.....	217	S11906.....	222	S12125.....	123
S11428.....	59	S11518.....	67	S11753.....	217	S11907.....	222	S12126.....	124
S11429.....	59	S11520.....	5	S11754.....	217	S11908.....	222	S12127.....	124
S11430.....	52	S11521.....	5	S11755.....	217	S11909.....	222	S12128.....	124
S11431.....	52	S11522.....	5	S11757.....	215	S11910.....	207	S12129.....	124
S11432.....	52	S11523.....	5	S11764.....	199	S11911.....	207	S12130.....	124
S11433.....	52	S11524.....	5	S11765.....	199	S11912.....	207	S12131.....	124
S11434.....	51	S11525.....	5	S11766.....	199	S11913.....	207	S12132.....	125
S11435.....	51	S11526.....	5	S11767.....	199	S11914.....	207	S12133.....	125
S11437.....	61	S11527.....	5	S11770.....	45	S11915.....	207	S12134.....	125
S11438.....	61	S11528.....	5	S11771.....	45	S11916.....	207	S12135.....	125
S11440.....	79	S11540.....	81	S11772.....	45	S11917.....	207	S12136.....	126
S11441.....	79	S11541.....	81	S11773.....	45	S11918.....	195	S12137.....	126
S11442.....	79	S11542.....	81	S11774.....	45	S11926.....	218	S12138.....	126
S11445.....	63	S11543.....	81	S11775.....	45	S11927.....	218	S12139.....	126
S11446.....	63	S11550.....	184	S11776.....	45	S11930.....	231	S12140.....	23
S11447.....	66	S11551.....	184	S11777.....	45	S11931.....	231	S12141.....	23
S11448.....	66	S11552.....	184	S11778.....	85	S11932.....	231	S12142.....	23
S11450.....	47	S11553.....	184	S11779.....	85	S11933.....	231	S12244.....	112
S11451.....	47	S11554.....	184	S11780.....	85	S11934.....	231	S12245.....	112

Item	Page	Item	Page	Item	Page	Item	Page	Item	Page
S12246.....	112	S12367.....	117	S12462.....	8	S12529.....	33	S13191.....	149
S12247.....	112	S12368.....	117	S12463.....	8	S12530.....	33	S13192.....	149
S12260.....	91	S12369.....	117	S12464.....	8	S12531.....	33	S13193.....	149
S12261.....	91	S12370.....	117	S12465.....	8	S12532.....	33	S13194.....	149
S12262.....	91	S12371.....	117	S12466.....	8	S12533.....	33	S13195.....	148
S12263.....	91	S12372.....	117	S12467.....	8	S12534.....	33	S13196.....	148
S12310.....	123	S12373.....	117	S12468.....	8	S12535.....	33	S13197.....	148
S12311.....	123	S12374.....	117	S12469.....	9	S12536.....	33	S13198.....	149
S12312.....	123	S12375.....	117	S12470.....	9	S12537.....	8	S14984.....	56
S12313.....	123	S12400.....	7	S12471.....	13	S12538.....	8	S14985.....	56
S12314.....	123	S12401.....	7	S12472.....	13	S12539.....	9	S14986.....	56
S12315.....	123	S12402.....	7	S12473.....	13	S12540.....	9	S14987.....	56
S12316.....	123	S12403.....	7	S12474.....	13	S12541.....	14	S14988.....	56
S12317.....	123	S12404.....	7	S12475.....	13	S12542.....	14	S14989.....	56
S12318.....	123	S12405.....	7	S12476.....	13	S12545.....	15	S14990.....	56
S12319.....	123	S12406.....	7	S12477.....	13	S12546.....	15	S16430.....	225
S12320.....	123	S12407.....	7	S12478.....	13	S12600.....	139	S16431.....	225
S12321.....	123	S12408.....	8	S12479.....	13	S12601.....	139	S16432.....	225
S12322.....	124	S12409.....	8	S12480.....	13	S12602.....	139	S16433.....	225
S12323.....	124	S12410.....	8	S12482.....	14	S12603.....	139	S16434.....	225
S12324.....	124	S12411.....	8	S12483.....	14	S12604.....	139	S16435.....	225
S12325.....	124	S12412.....	8	S12484.....	15	S12605.....	139	S16436.....	225
S12326.....	124	S12413.....	8	S12485.....	15	S13118.....	160	S16437.....	225
S12327.....	124	S12414.....	8	S12486.....	15	S13119.....	160	S16438.....	225
S12328.....	124	S12415.....	8	S12487.....	15	S13120.....	162	S16439.....	225
S12329.....	124	S12416.....	8	S12488.....	15	S13121.....	162	S16440.....	225
S12330.....	124	S12417.....	8	S12489.....	15	S13122.....	162	S16441.....	225
S12331.....	124	S12418.....	8	S12490.....	16	S13127.....	162	S16442.....	225
S12332.....	124	S12419.....	8	S12491.....	16	S13146.....	161	S16443.....	225
S12333.....	124	S12420.....	8	S12492.....	17	S13147.....	161	S16510.....	229
S12334.....	125	S12422.....	9	S12493.....	17	S13150.....	167	S16511.....	229
S12335.....	125	S12423.....	9	S12494.....	17	S13151.....	167	S18400.....	183
S12336.....	125	S12424.....	9	S12495.....	17	S13152.....	167	S18401.....	183
S12337.....	125	S12425.....	9	S12496.....	17	S13153.....	167	S18402.....	183
S12338.....	125	S12426.....	9	S12497.....	17	S13154.....	167	S18403.....	183
S12339.....	125	S12427.....	9	S12498.....	17	S13155.....	167	S18404.....	183
S12340.....	125	S12428.....	9	S12499.....	21	S13159.....	175	S18405.....	181
S12341.....	125	S12429.....	9	S12500.....	21	S13160.....	73	S18412.....	227
S12342.....	125	S12430.....	9	S12501.....	21	S13161.....	73	S18413.....	226
S12343.....	125	S12431.....	9	S12502.....	21	S13162.....	73	S18414.....	226
S12344.....	125	S12432.....	9	S12503.....	21	S13163.....	73	S18420.....	192
S12345.....	125	S12433.....	9	S12504.....	21	S13164.....	73	S18421.....	192
S12346.....	125	S12434.....	9	S12505.....	23	S13165.....	73	S18422.....	192
S12347.....	125	S12435.....	9	S12506.....	23	S13166.....	73	S18423.....	192
S12348.....	125	S12436.....	9	S12507.....	23	S13167.....	73	S18800.....	129
S12349.....	125	S12437.....	9	S12508.....	23	S13168.....	177	S18801.....	129
S12350.....	126	S12438.....	9	S12509.....	23	S13169.....	177	S18802.....	129
S12351.....	126	S12439.....	9	S12510.....	25	S13170.....	171	S18803.....	129
S12352.....	126	S12440.....	9	S12511.....	25	S13171.....	171	S19946.....	219
S12353.....	126	S12441.....	9	S12512.....	25	S13172.....	171	S19947.....	219
S12354.....	126	S12442.....	9	S12513.....	25	S13173.....	173	S19948.....	219
S12355.....	126	S12443.....	9	S12514.....	30	S13174.....	173	S21200.....	13
S12356.....	126	S12444.....	11	S12518.....	31	S13180.....	149	S21201.....	13
S12357.....	126	S12445.....	11	S12519.....	31	S13181.....	149	S21202.....	13
S12358.....	126	S12446.....	11	S12520.....	31	S13182.....	149	S21203.....	13
S12359.....	126	S12447.....	11	S12521.....	31	S13183.....	149	S21204.....	13
S12360.....	117	S12448.....	11	S12522.....	31	S13184.....	149	S21205.....	13
S12361.....	117	S12449.....	11	S12523.....	31	S13185.....	149	S21206.....	13
S12362.....	117	S12450.....	11	S12524.....	32	S13186.....	149	S21207.....	13
S12363.....	117	S12451.....	11	S12525.....	32	S13187.....	149	S21208.....	13
S12364.....	117	S12452.....	11	S12526.....	32	S13188.....	149	S21209.....	13
S12365.....	117	S12460.....	8	S12527.....	32	S13189.....	149	S21210.....	13
S12366.....	117	S12461.....	8	S12528.....	33	S13190.....	149	S21211.....	13

Item	Page	Item	Page	Item	Page	Item	Page	Item	Page
S21212	13	S21275	17	S21341	31	S21811	13	S21875	13
S21213	13	S21276	17	S21342	31	S21812	13	S21876	13
S21214	13	S21277	17	S21343	31	S21813	13	S21877	13
S21215	13	S21278	17	S21344	32	S21814	13	S21878	13
S21216	13	S21279	17	S21345	32	S21815	13	S21879	21
S21217	13	S21280	17	S21346	32	S21816	13	S21880	21
S21218	13	S21281	17	S21347	32	S21817	16	S21881	21
S21219	13	S21282	21	S21348	32	S21818	16	S21882	21
S21220	13	S21283	21	S21349	32	S21819	17	S21883	23
S21221	13	S21284	21	S21350	32	S21820	17	S21884	23
S21222	13	S21285	21	S21351	32	S21821	17	S21885	25
S21223	13	S21286	21	S21352	32	S21822	17	S21886	25
S21224	13	S21287	21	S21353	32	S21823	17	S21887	25
S21225	13	S21288	21	S21354	33	S21824	17	S21888	25
S21226	14	S21289	21	S21355	33	S21825	17	S21915	194
S21227	14	S21290	21	S21356	33	S21826	17	S21916	194
S21228	14	S21291	21	S21357	33	S21827	17	S21917	194
S21229	14	S21292	21	S21358	33	S21828	17	S21918	194
S21230	14	S21293	21	S21359	33	S21829	17	S21919	194
S21231	14	S21294	23	S21360	33	S21830	17	S21924	201
S21232	14	S21295	23	S21361	33	S21831	17	S21925	218
S21233	14	S21296	23	S21362	33	S21832	21	S22210	103
S21234	14	S21297	23	S21363	33	S21833	21	S22211	103
S21235	14	S21298	23	S21364	33	S21834	21	S22212	103
S21236	14	S21299	23	S21365	33	S21835	21	S22213	103
S21237	14	S21300	23	S21366	17	S21836	21	S22214	103
S21238	14	S21301	23	S21367	17	S21837	21	S22215	103
S21239	14	S21302	23	S21368	21	S21838	21	S22216	103
S21240	14	S21303	23	S21369	21	S21839	23	S22217	103
S21241	14	S21304	23	S21370	31	S21840	23	S22218	103
S21242	14	S21305	23	S21371	31	S21841	23	S22219	103
S21243	14	S21306	23	S21372	31	S21842	23	S22430	41
S21244	14	S21307	23	S21373	31	S21843	23	S22431	41
S21245	14	S21308	23	S21374	31	S21844	23	S22432	41
S21246	14	S21309	23	S21375	31	S21845	23	S22433	41
S21247	14	S21310	25	S21376	31	S21846	23	S22703	27
S21248	15	S21311	25	S21377	31	S21847	23	S22707	27
S21249	15	S21312	25	S21378	33	S21848	25	S22712	27
S21250	15	S21313	25	S21379	33	S21849	25	S22713	27
S21251	15	S21314	25	S21410	190	S21850	25	S23134	153
S21252	15	S21315	25	S21411	190	S21851	25	S23135	153
S21253	15	S21316	25	S21412	190	S21852	25	S23136	153
S21254	15	S21317	25	S21413	191	S21853	25	S23137	153
S21255	15	S21318	25	S21414	191	S21854	30	S23138	153
S21256	15	S21319	25	S21415	191	S21855	30	S23139	153
S21257	15	S21320	25	S21741	119	S21856	30	S23140	151
S21258	15	S21321	25	S21742	119	S21857	30	S23141	151
S21259	15	S21323	60	S21743	119	S21858	31	S23142	151
S21260	15	S21324	60	S21744	119	S21860	31	S23143	151
S21261	15	S21325	60	S21745	119	S21861	31	S23144	151
S21262	16	S21327	64	S21760	211	S21862	32	S23145	151
S21263	16	S21328	64	S21761	211	S21863	32	S23146	151
S21264	16	S21330	30	S21762	211	S21864	32	S23147	151
S21265	16	S21331	30	S21763	211	S21865	32	S23148	151
S21266	16	S21332	30	S21800	48	S21866	32	S23149	151
S21267	16	S21333	30	S21801	48	S21867	33	S23150	151
S21268	17	S21334	30	S21802	48	S21868	33	S23151	151
S21269	17	S21335	30	S21803	48	S21869	33	S23152	151
S21270	17	S21336	30	S21804	48	S21870	33	S23160	157
S21271	17	S21337	30	S21805	48	S21871	7	S23161	157
S21272	17	S21338	30	S21806	48	S21872	7	S23162	157
S21273	17	S21339	30	S21807	48	S21873	7	S23163	157
S21274	17	S21340	31	S21810	13	S21874	7	S23164	157

Item	Page	Item	Page	Item	Page	Item	Page	Item	Page
S23165.....	157	S28767.....	60	S29438.....	96	S29837.....	49	S39904.....	201
S23166.....	157	S28768.....	60	S29439.....	96	S29838.....	49	S39905.....	201
S23167.....	157	S28769.....	61	S29440.....	97	S29839.....	49	S39906.....	201
S23168.....	157	S28770.....	61	S29441.....	97	S29840.....	49	S39907.....	201
S23403.....	27	S28785.....	64	S29442.....	97	S29841.....	49	S39913.....	201
S23407.....	27	S28786.....	64	S29443.....	97	S29842.....	49	S39914.....	201
S23412.....	27	S28787.....	64	S29444.....	97	S29843.....	49	S39915.....	201
S23413.....	27	S28788.....	64	S29445.....	97	S29844.....	49	S39916.....	201
S25011.....	50	S28789.....	65	S29446.....	97	S29850.....	188	S39917.....	201
S25012.....	50	S28790.....	65	S29447.....	97	S29851.....	188	S39918.....	201
S28483.....	60	S28914.....	49	S29448.....	97	S29852.....	188	S39919.....	201
S28484.....	60	S28915.....	49	S29449.....	97	S29853.....	188	S39920.....	201
S28485.....	60	S28916.....	49	S29450.....	97	S29854.....	187	S39926.....	201
S28486.....	64	S28920.....	49	S29451.....	97	S29855.....	187	S39927.....	201
S28487.....	64	S28928.....	165	S29452.....	97	S29856.....	187	S39928.....	201
S28488.....	64	S28929.....	165	S29453.....	97	S29858.....	188	S39929.....	201
S28491.....	87	S28930.....	165	S29454.....	97	S29859.....	188	S49390.....	155
S28492.....	87	S28932R1.....	163	S29455.....	97	S29860.....	188	S49391.....	155
S28493.....	89	S28938R1.....	163	S29456.....	97	S29861.....	188	S49392.....	155
S28547.....	87	S28976.....	179	S29457.....	97	S29877.....	17	S49393.....	155
S28557.....	47	S28980.....	165	S29480.....	105	S29878.....	14	S49394.....	155
S28558.....	47	S28987.....	165	S29481.....	105	S29910.....	219	S49395.....	155
S28560.....	51	S29004.....	121	S29482.....	105	S29911.....	219	S49396.....	155
S28561.....	51	S29005.....	121	S29483.....	105	S29912.....	219	S49397.....	155
S28562.....	51	S29189.....	109	S29484.....	105	S29917.....	218	S49670.....	155
S28563.....	51	S29400.....	95	S29558.....	51	S29918.....	218	S49671.....	155
S28574.....	75	S29401.....	95	S29589.....	51	S29919.....	218	S49672.....	155
S28575.....	75	S29402.....	95	S29593.....	49	S29924.....	219	S49673.....	155
S28576.....	75	S29403.....	95	S29594.....	49	S29925.....	219	S49674.....	155
S28577.....	87	S29404.....	95	S29595.....	49	S29942.....	219	S49675.....	155
S28578.....	87	S29405.....	95	S29598.....	147	S32240.....	98	S49676.....	155
S28579.....	87	S29406.....	95	S29599.....	147	S32250.....	98	S49677.....	155
S28580.....	89	S29407.....	95	S29614.....	87	S33112.....	169	S49738.....	155
S28593.....	47	S29408.....	95	S29615.....	89	S33113.....	169	S49739.....	155
S28594.....	47	S29409.....	95	S29618.....	75	S33114.....	169	S49934R1.....	197
S28595.....	75	S29410.....	96	S29619.....	75	S33115.....	169	S49935R1.....	197
S28596.....	87	S29411.....	96	S29625.....	87	S33116.....	169	S49936R1.....	197
S28597.....	89	S29412.....	96	S29626.....	87	S33117.....	169	S49937R1.....	197
S28617.....	75	S29413.....	96	S29628.....	88	S38939.....	172	S49946.....	197
S28618.....	75	S29414.....	96	S29629.....	53	S38946.....	172	S49947.....	197
S28619.....	87	S29415.....	96	S29699.....	53	S38975.....	172	S49948.....	197
S28650.....	60	S29416.....	96	S29781.....	235	S39188.....	109	S49949.....	197
S28652.....	64	S29417.....	96	S29804.....	60	S39596.....	51	S49975R1.....	197
S28653.....	64	S29418.....	96	S29805.....	64	S39597.....	51	S49976R1.....	197
S28690.....	221	S29419.....	96	S29806.....	78	S39679.....	159	S49977R1.....	197
S28691.....	221	S29420.....	96	S29807.....	78	S39717.....	221	S49978R1.....	197
S28692.....	221	S29421.....	96	S29810.....	60	S39718.....	221	S49990.....	197
S28693.....	221	S29422.....	96	S29811.....	60	S39719.....	221	S49991.....	197
S28694.....	221	S29423.....	96	S29812.....	60	S39720.....	221	S49992.....	197
S28695.....	221	S29424.....	96	S29813.....	60	S39750.....	159	S49993.....	197
S28696.....	221	S29425.....	96	S29814.....	60	S39751.....	159		
S28697.....	221	S29426.....	96	S29815.....	64	S39752.....	159		
S28698.....	221	S29427.....	96	S29816.....	64	S39760.....	98		
S28725.....	183	S29428.....	96	S29817.....	64	S39764.....	98		
S28726.....	183	S29429.....	96	S29818.....	64	S39768.....	159		
S28727.....	183	S29430.....	96	S29819.....	64	S39769.....	159		
S28728.....	183	S29431.....	96	S29830.....	47	S39798.....	159		
S28729.....	183	S29432.....	96	S29831.....	47	S39799.....	159		
S28730.....	181	S29433.....	96	S29832.....	47	S39879.....	8		
S28735.....	71	S29434.....	96	S29833.....	47	S39900.....	201		
S28737.....	71	S29435.....	96	S29834.....	47	S39901.....	201		
S28765.....	60	S29436.....	96	S29835.....	49	S39902.....	201		
S28766.....	60	S29437.....	96	S29836.....	49	S39903.....	201		

To learn more about SATCO|NUVO, visit www.satco.com or contact 1-800-437-2826



Like us on Facebook



Connect with us on LinkedIn



Follow us on Instagram

National Toll-Free:

1.800.43.SATCO (1.800.437.2826)

**Corporate Offices &
Distribution Center:**

NEW YORK 110 Heartland Blvd., Brentwood, NY 11717 | 800.437.2826 | 631.243.2022 | Fax 631.243.2027

FLORIDA 1694 NW 215th St. Miami Gardens, FL 33056 | Tel. 305.624.2044 FAX 305.623.0286

CALIFORNIA 31288 San Benito St. Hayward, CA 94544 | Tel. 510.487.4822 FAX 510.487.8955

WASHINGTON 4710 116th St. S.W., Mukilteo, WA 98275 | Tel. 425.789.3300 FAX 425.789.3310

TEXAS 2000 Valwood Parkway, Farmers Branch, TX 75234 | Tel. 972.247.2437 FAX 972.247.5408

PUERTO RICO Campeche St. 23, Julio N. Matos Industrial Park, Carolina, PR 00984 | Tel. 787.757.3510 FAX 787.757.3540

Product specifications and availability are subject to change without notice.

Please visit us online at www.satco.com for our full product line and ordering details, or consult factory for additional information