



T20 LED | LAMPS  
& DOWNLIGHT RETROFITS

## Table of Contents

LED Filament Reminiscent .....	4 - 5
LED Filament Lamps (Dim to Warm).....	6 - 7
LED Filament (A-Type) .....	8 - 13
LED Filament (Decorative).....	14 - 27
LED Filament (Specialty).....	28 - 39
Indicator and Sign Bulbs .....	40 - 41
LED CCT Selectable Bulbs (A-Type).....	42 - 45
A-Type 40W and 60W Replacements (Heat sink).....	46 - 52
LED A19 Colors .....	53
LED A19 Dusk to Dawn Lamps .....	54 - 55
A-Type 75W Incandescent Replacement Lamps.....	56 - 57
LED A19 Motion Sensor Lamps .....	58 - 59
A-Type 100W Incandescent Replacement Lamps.....	60 - 61
3-Way LED Lamps (A-Type) .....	61
Hi Wattage Incandescent Replacements (A-Type).....	62
Hi-Pro LED A-Lamps .....	63 - 65
LED T10 High Lumen Lamps .....	66
Specialty Lamps (including: Flame, Grow, Linear T10 and Squat Lamps) .....	67 - 73
BR30, BR40, R20, R14 LED Lamps .....	74 - 81
LED Par Lamps .....	82 - 101
AR111, PAR16, MR, and Elevator Lamps.....	102 - 111
T3 and T4 Replacements .....	112 - 117
Downlight Retrofits .....	118 - 141
Hi-Pro LED Lamps (HID Replacements) .....	142 - 161
Temp Work Lights.....	162 - 171
Pin Based CFL Replacements .....	172 - 187
Linear T8 and T5 Replacements (Types A and B) .....	188 - 219
Linear T8 Sign Lamps.....	220 - 221
LED U-Bend Lamps.....	222 - 223
Circline Lamps.....	224 - 225
Linear T8 and T5 Replacements (Type C).....	226 - 227
Linear T8 with Battery Backup.....	228 - 231
Emergency Drivers (Type B Lamps).....	232
LED Retrofits .....	233
Index .....	234 - 238
Notes.....	239 - 243



---

**60+ YEARS IN  
BUSINESS**

---

**100% INDEPENDENT  
PRIVATELY OWNED**

---

**18,000 +  
PRODUCTS**

---

**2 MILLION SQ. FT  
OF INVENTORY**

---

**6 WAREHOUSE  
LOCATIONS**

SATCO® is your single source solution for all of your lighting needs. From emerging LED technologies to decorative fixtures and lighting components, we carry products for nearly every industry and application to our customers. Independent and privately owned for 60 years, SATCO continues to grow because of our traditional values: trust, quality, loyalty and hard work. Agile in practice, unwavering in customer focus...

**...we deliver on product, promise  
& partnership.**

**SATCO® has two lines of product to help you meet California's Building and Appliance codes:**

**Building Code (Title 25):** The full line of Joint Appendix 8 (JA8) lamps are certified to the Title 25 2016 building code. These products will help you comply with the newest California residential building codes.

**Appliance Code (Title 20):** Lamps and Retrofit Kits are considered appliances in the California Code, and Title 20 is one of the most stringent in the country. Satco has a full line of products that are compliant with this code.

As an ongoing effort on behalf of Satco Products, Inc. to remain dedicated to the improvement of our products, we reserve the right to change specifications. The information contained in this specification guide is subject to change without notice. We cannot be responsible for typographical errors.

# REMINISCENT™

## GRAY LED FILAMENT LAMPS



### Features:

- Elegant gray filament
- Ultra-clear glass bulb
- Excellent color rendering



# REMINISCENT™

## GRAY LED FILAMENT LAMPS



Item	Description	Lamp Shape	Filament Style	Base	Lm	W	Incandescent Replacement Wattage	MOL (in.)	Pack
<b>Boxed</b>									
S11520	6ST19/CL/LED-GF/COIL/927/120V	ST19	Coil	E26	500	6	40W	5.31	24/6
S11527	6ST19/CL/LED-GF/LOOP/927/120V	ST19	Loop	E26	500	6	40W	5.31	24/6
S11521	6A19/CL/LED-GF/COIL/927/120V	A19	Coil	E26	500	6	40W	4.17	24/6
S11525	4B11/CL/LED-GF/COIL/927/120V	B11	Coil	E12	350	4	40W	3.94	24/6
S11526	4CA11/CL/LED-GF/COIL/927/120V	CA11	Coil	E12	350	4	40W	4.48	24/6
S11522	6G25/CL/LED-GF/COIL/927/120V	G25	Coil	E26	500	6	60W	4.72	24/6
S11528	6G25/CL/LED-GF/LOOP/927/120V	G25	Loop	E26	500	6	60W	4.72	24/6
S11524	6T9/CL/LED-GF/COIL/927/120V	T9	Coil	E26	500	6	40W	7.48	24/6
S11523	6T9/CL/LED-GF/STR/927/120V	T9	Straight	E26	500	6	40W	11.02	24/6
<b>Carded</b>									
S10520	6ST19/CL/LED-GF/COIL/927/1CD	ST19	Flex	E26	500	6	40W	5.31	24/12
S10525	6ST19/CL/LED-GF/LOOP/927/1CD	ST19	Flex	E26	500	6	40W	5.31	24/12
S10521	6A19/CL/LED-GF/COIL/927/1CD	A19	Flex	E26	500	6	40W	4.17	24/12
S10523	4B11/CL/LED-GF/COIL/927/2CD	B11	Flex	E12	350	4	40W	3.94	24/12
S10524	4CA11/CL/LED-GF/COIL/927/2CD	CA11	Flex	E12	350	4	40W	4.48	24/12
S10522	6T9/CL/LED-GF/COIL/927/2CD	T9	Flex	E26	500	6	60W	7.48	24/12

See warranty for details at [www.satco.com](http://www.satco.com)

Product sheet SN1654

# LED FILAMENT LAMPS DIM TO WARM



## Features:

- Warm Dimming 3000K-2000K
- 40-100W replacements
- 90 CRI for exceptional color rendering
- Multiple Lamp Shapes
- Wet Location Rated



Item#	Description	Watts	Base	Finish	Hours	Lumens	Case Quantity
<b>A-Type</b>							
S12163	4.5A15L/930WD/E26/GCYS	4.5W	E26	Clear	15000	450L	24
S12164	4.5A15L/930WD/E26/GFYS	4.5W	E26	Frost	15000	450L	24
S12150	8A19L/930WD/E26/GCYS	8W	E26	Clear	15000	800L	24
S12151	8A19L/930WD/E26/GFYS	8W	E26	Frost	15000	800L	24
<b>Globes</b>							
S12161	4.5G16.5L/930WD/E12/GCYS	4.5W	E12	Clear	15000	450L	24
S12162	4.5G16.5L/930WD/E12/GWYS	4.5W	E12	White	15000	450L	24
S12152	8G25L/930WD/E26/GCYS	8W	E26	Clear	15000	800L	24
S12153	8G25L/930WD/E26/GWYS	8W	E26	White	15000	800L	24
S12155	8G40L/930WD/E26/GCYS	8W	E26	Clear	15000	800L	12
S12156	8G40L/930WD/E26/GWYS	8W	E26	White	15000	800L	12
<b>Edison</b>							
S12154	8ST19L/930WD/E26/GCYS	8W	E26	Clear	15000	800L	24
<b>Decorative</b>							
S12157	4.5B11L/930WD/E12/GCYS	4.5W	E12	Clear	15000	450L	24
S12158	4.5B11L/930WD/E12/GFYS	4.5W	E12	Frost	15000	450L	24
S12159	4.5B11L/930WD/E26/GCYS	4.5W	E26	Clear	15000	450L	24
S12160	4.5B11L/930WD/E26/GFYS	4.5W	E26	Frost	15000	450L	24

Product sheet SN1881



## DIMENSIONS / WEIGHTS

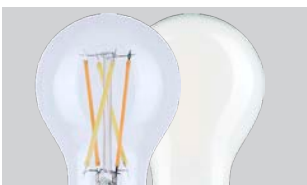
Item	MOL (A)	MOD (B)	Weight
S12150	4.33"	2.36"	0.07 Lbs.
S12151	4.33"	2.36"	0.07 Lbs.
S12152	4.53"	3.15"	0.09 Lbs.
S12153	4.53"	3.15"	0.09 Lbs.
S12154	4.96"	2.28"	0.08 Lbs.
S12155	6.89"	4.92"	0.20 Lbs.
S12156	6.89"	4.92"	0.20 Lbs.
S12157	3.78"	1.38"	0.04 Lbs.
S12158	3.78"	1.38"	0.04 Lbs.
S12159	3.54"	1.38"	0.06 Lbs.
S12160	3.54"	1.38"	0.06 Lbs.
S12161	3.31"	1.97"	0.04 Lbs.
S12162	3.31"	1.97"	0.04 Lbs.
S12163	3.42"	1.97"	0.06 Lbs.
S12164	3.42"	1.97"	0.06 Lbs.



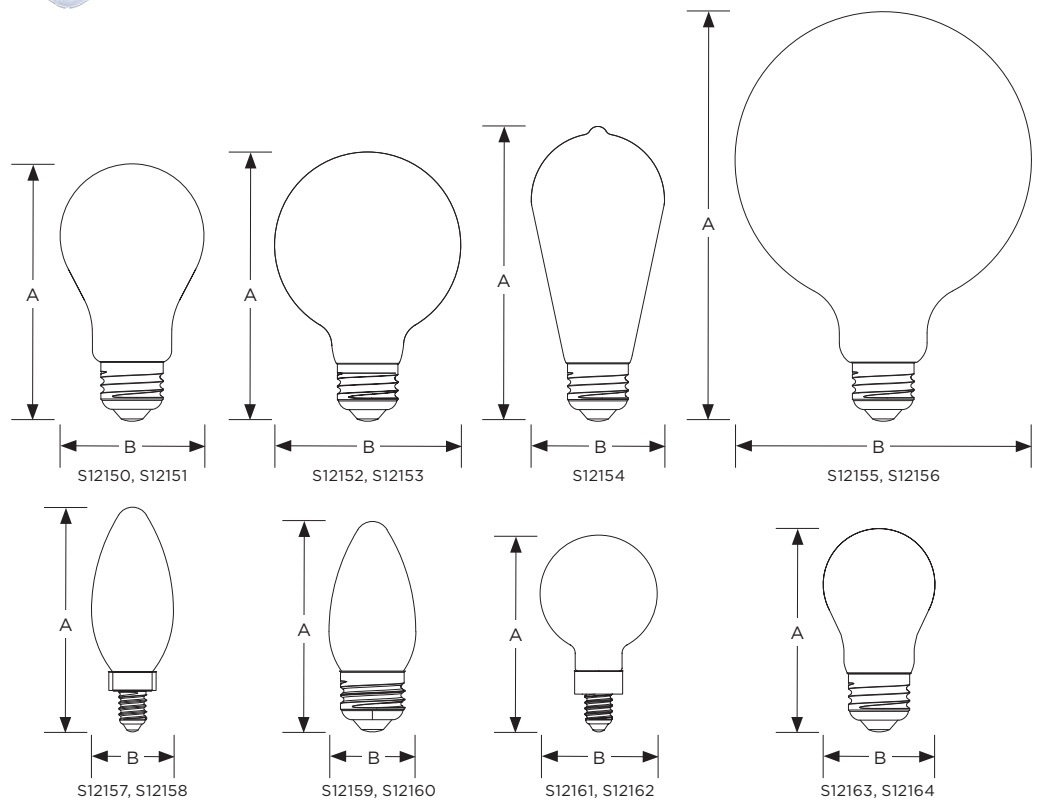
Warm Dimming 3000K-2000K



Medium or Candelabra Base



All Glass Construction



# LED A15, A19 FILAMENT LAMPS



## Features:

- 90 CRI
- 40-100W replacements
- High lumens & efficiency
- Clear and soft white options
- 4 CCT options
- Approved for enclosed fixtures\*
- Dimmable
- Long life



# LED A15 FILAMENT LAMPS 40W, 60W REPLACEMENTS



A15/E12



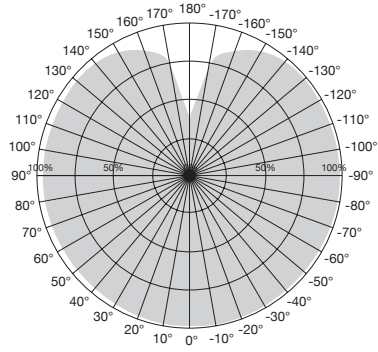
A15 FR



A15 SW



A15 CL



Beam Angle: 320°



Item	Description	W	V	Bulb Shape	Base	Finish	CCT	Lm	CRI	MOL (in.)	MOD (in.)	Life (hrs.)	UPC	Pack
<b>40 Watt Replacement</b>														
S12400	5A15/CL/LED/927/120V	5	120	A15	E26	CL	2700K	450	90	3.39	1.89	15K	045923124006	24/6
S12401	5A15/CL/LED/930/120V	5	120	A15	E26	CL	3000K	450	90	3.39	1.89	15K	045923124013	24/6
S12402	5A15/CL/LED/940/120V	5	120	A15	E26	CL	4000K	450	90	3.39	1.89	15K	045923124020	24/6
S12403	5A15/CL/LED/950/120V	5	120	A15	E26	CL	5000K	450	90	3.39	1.89	15K	045923124037	24/6
S12404	5A15/SW/LED/927/120V	5	120	A15	E26	SW	2700K	450	90	3.39	1.89	15K	045923124044	24/6
S12405	5A15/SW/LED/930/120V	5	120	A15	E26	SW	3000K	450	90	3.39	1.89	15K	045923124051	24/6
<b>40 Watt Replacement-Carded</b>														
S21871	5.5A15/CL/LED/927/E12/2CD	5.5	120	A15	E12	CL	2700K	450	90	3.43	1.85	15K	045923218712	24/12
S21872	5.5A15/CL/LED/927/E17/2CD	5.5	120	A15	E17	CL	2700K	450	90	3.19	1.85	15K	045923218729	24/12
S21873	5.5A15/CL/LED/927/E26/2CD	5.5	120	A15	E26	CL	2700K	450	90	3.39	1.85	15K	045923218736	24/12
S21874	5.5A15/FR/LED/927/E26/2CD	5.5	120	A15	E26	FR	2700K	450	90	3.39	1.85	15K	045923218743	24/12
<b>60 Watt Replacement</b>														
S12406	8.2A15/CL/LED/930/120V	8.2	120	A15	E26	CL	3000K	800	90	3.39	1.89	15K	045923124068	24/6
S12407	8.2A15/SW/LED/930/120V	8.2	120	A15	E26	SW	3000K	800	90	3.39	1.89	15K	045923124075	24/6

\*See warranty for details at [www.satco.com](http://www.satco.com). \*Only S21872

Product sheet SA2690

# 90 CRI LED A19 FILAMENT LAMPS 40W, 60W REPLACEMENTS



Item	Description	W	V	Bulb Shape	Base	Finish	CCT	Lm	CRI	Beam	MOL (in.)	MOD (in.)	Life (hrs.)	UPC	Pack
<b>40W Replacement</b>															
S12408	5A19/CL/LED/927/120V	5	120	A19	E26	CL	2700K	450	90	320°	4.02	2.36	15K	045923124082	24/6
S12409	5A19/CL/LED/930/120V	5	120	A19	E26	CL	3000K	450	90	320°	4.02	2.36	15K	045923124099	24/6
S12468	5A19/CL/LED/935/120V	5	120	A19	E26	CL	3500K	450	90	320°	4.02	2.36	15K	045923124693	24/6
S12410	5A19/CL/LED/940/120V	5	120	A19	E26	CL	4000K	450	90	320°	4.02	2.36	15K	045923124105	24/6
S12411	5A19/CL/LED/950/120V	5	120	A19	E26	CL	5000K	450	90	320°	4.02	2.36	15K	045923124112	24/6
S12412	5A19/SW/LED/927/120V	5	120	A19	E26	SW	2700K	450	90	320°	4.02	2.36	15K	045923124129	24/6
S12413	5A19/SW/LED/930/120V	5	120	A19	E26	SW	3000K	450	90	320°	4.02	2.36	15K	045923124136	24/6
<b>Multi-Pack</b>															
S12460	5A19/CL/LED/927/4PK/120V	5	120	A19	E26	CL	2700K	450	90	280°	4.33	2.36	15K	045923124600	12-4pks
S12461	5A19/CL/LED/930/4PK/120V	5	120	A19	E26	CL	3000K	450	90	280°	4.33	2.36	15K	045923124617	12-4pks



Item	Description	W	V	Bulb Shape	Base	Finish	CCT	Lm	CRI	Beam	MOL (in.)	MOD (in.)	Life (hrs.)	UPC	Pack
<b>60 Watt Replacement</b>															
S12537	8A19/SLVR/LED/927/120V	8	120	A19	E26	SLV	2700K	650	90	180°	4.34	2.37	15K	045923125379	24/6
S12538	8A19/GOLD/LED/927/120V	8	120	A19	E26	GLD	2700K	650	90	180°	4.34	2.37	15K	045923125386	24/6
S39879	8A19/CL/LED/927/120V	8	120	A19	E26	CL	2700K	800	90	320°	4.13	2.38	15K	045923398797	24/6
S12414	8A19/CL/LED/927/120V	8	120	A19	E26	CL	2700K	800	90	320°	4.02	2.36	15K	045923124143	24/6
S12415	8A19/CL/LED/930/120V	8	120	A19	E26	CL	3000K	800	90	320°	4.02	2.36	15K	045923124150	24/6
S12416	8A19/CL/LED/935/120V	8	120	A19	E26	CL	3500K	800	90	320°	4.02	2.36	15K	045923124167	24/6
S12417	8A19/CL/LED/940/120V	8	120	A19	E26	CL	4000K	800	90	320°	4.02	2.36	15K	045923124174	24/6
S12418	8A19/CL/LED/950/120V	8	120	A19	E26	CL	5000K	800	90	320°	4.02	2.36	15K	045923124181	24/6
S12419	8.2A19/SW/LED/927/120V	8.2	120	A19	E26	SW	2700K	800	90	320°	4.02	2.36	15K	045923124198	24/6
S12420	8.2A19/SW/LED/930/120V	8.2	120	A19	E26	SW	3000K	800	90	320°	4.02	2.36	15K	045923124204	24/6
S11355 †	8A19/CL/LED/930/120V	8	120	A19	E26	CL	3000K	800	90	320°	4.30	2.36	15K	045923113550	24/6
S11356 †	8A19/SW/LED/927/120V	8	120	A19	E26	SW	2700K	800	90	320°	4.30	2.36	15K	045923113567	24/6
<b>Multi-Pack</b>															
S12462	8A19/CL/LED/927/4PK/120V	8	120	A19	E26	CL	2700K	800	90	280°	4.33	2.36	15K	045923124624	12-4 Pks
S12463	8A19/CL/LED/930/4PK/120V	8	120	A19	E26	CL	3000K	800	90	280°	4.33	2.36	15K	045923124631	12-4 Pks
S12464	8A19/CL/LED/940/4PK/120V	8	120	A19	E26	CL	4000K	800	90	280°	4.33	2.36	15K	045923124648	12-4 Pks
S12465	8A19/CL/LED/950/4PK/120V	8	120	A19	E26	CL	5000K	800	90	280°	4.33	2.36	15K	045923124655	12-4 Pks
S12466	8A19/SW/LED/927/4PK/120V	8	120	A19	E26	SW	2700K	800	90	280°	4.33	2.36	15K	045923124662	12-4 Pks
S12467	8A19/SW/LED/930/4PK/120V	8	120	A19	E26	SW	3000K	800	90	280°	4.33	2.36	15K	045923124679	12-4 Pks

\*See warranty for details at [www.satco.com](http://www.satco.com). † Silver crown are 180° beam angle. T24/JA8.

# 90 CRI LED A19 FILAMENT LAMPS 75W, 100W REPLACEMENTS



Item	Description	W	V	Bulb Shape	Base	Finish	CCT	Lm	CRI	Beam	MOL (in.)	MOD (in.)	Life (hrs.)	UPC	Pack
<b>75W Replacement</b>															
S12422	10.5A19/CL/LED/927/120V	10.5	120	A19	E26	CL	2700K	1100	90	320°	4.02	2.36	15K	045923124228	24/6
S12423	10.5A19/CL/LED/930/120V	10.5	120	A19	E26	CL	3000K	1100	90	320°	4.02	2.36	15K	045923124235	24/6
S12469	10.5A19/CL/LED/935/120V	10.5	120	A19	E26	CL	3500K	1100	90	320°	4.02	2.36	15K	045923124693	24/6
S12424	10.5A19/CL/LED/940/120V	10.5	120	A19	E26	CL	4000K	1100	90	320°	4.02	2.36	15K	045923124242	24/6
S12425	10.5A19/CL/LED/950/120V	10.5	120	A19	E26	CL	5000K	1100	90	320°	4.02	2.36	15K	045923124259	24/6
S12426	11A19/SW/LED/927/120V	11	120	A19	E26	SW	2700K	1100	90	320°	4.02	2.36	15K	045923124266	24/6
S12427	11A19/SW/LED/930/120V	11	120	A19	E26	SW	3000K	1100	90	320°	4.02	2.36	15K	045923124273	24/6
S12428	11A19/SW/LED/940/120V	11	120	A19	E26	SW	4000K	1100	90	320°	4.02	2.36	15K	045923124280	24/6
S11357i*	11A19/CL/LED/927/120V	11	120	A19	E26	CL	2700K	1100	90	320°	4.30	2.36	15K	045923113574	24/6
S11358i*	11A19/CL/LED/930/120V	11	120	A19	E26	CL	3000K	1100	90	320°	4.30	2.36	15K	045923113581	24/6
S11359i*	11A19/SW/LED/927/120V	11	120	A19	E26	SW	2700K	1100	90	320°	4.30	2.36	15K	045923113598	24/6
<b>Multi-Pack</b>															
S12436	10.5A19/CL/LED/927/120V/4PK	10.5	120	A19	E26	CL	2700K	1100	90	320°	4.02	2.36	15K	045923124365	12-4pks
S12437	10.5A19/CL/LED/930/120V/4PK	10.5	120	A19	E26	CL	3000K	1100	90	320°	4.02	2.36	15K	045923124372	12-4pks
S12438	11A19/SW/LED/927/120V/4PK	11	120	A19	E26	SW	2700K	1100	90	320°	4.02	2.36	15K	045923124389	12-4pks
S12439*	11A19/SW/LED/930/120V/4PK	11	120	A19	E26	SW	3000K	1100	90	320°	4.02	2.36	15K	045923124396	12-4pks

See warranty for details at [www.satco.com](http://www.satco.com). \*S12469 not T20. Product sheet SA2690



Item	Description	W	V	Bulb Shape	Base	Finish	CCT	Lm	CRI	Beam	MOL (in.)	MOD (in.)	Life (hrs.)	UPC	Pack
<b>100W Replacement</b>															
S12539	12A19/SLVR/LED/927/120V	12	120	A19	E26	SLV	2700K	1000	90	180°	4.34	2.37	15K	045923125393	24/6
S12540	12A19/GOLD/LED/927/120V	12	120	A19	E26	GLD	2700K	1000	90	180°	4.34	2.37	15K	045923125409	24/6
S12429	12.5A19/CL/LED/927/120V	12.5	120	A19	E26	CL	2700K	1500	90	320°	4.41	2.36	15K	045923124297	24/6
S12430	12.5A19/CL/LED/930/120V	12.5	120	A19	E26	CL	3000K	1500	90	320°	4.41	2.36	15K	045923124303	24/6
S12470	12.5A19/CL/LED/935/120V	12.5	120	A19	E26	CL	3500K	1500	90	300°	4.41	2.36	15K	045923124709	24/6
S12431	12.5A19/CL/LED/940/120V	12.5	120	A19	E26	CL	4000K	1500	90	320°	4.41	2.36	15K	045923124310	24/6
S12432	12.5A19/CL/LED/950/120V	12.5	120	A19	E26	CL	5000K	1500	90	320°	4.41	2.36	15K	045923124327	24/6
S12433	13.5A19/SW/LED/927/120V	13.5	120	A19	E26	SW	2700K	1500	90	320°	4.41	2.36	15K	045923124334	24/6
S12434	13.5A19/SW/LED/930/120V	13.5	120	A19	E26	SW	3000K	1500	90	320°	4.41	2.36	15K	045923124341	24/6
S12435	13.5A19/SW/LED/940/120V	13.5	120	A19	E26	SW	4000K	1500	90	320°	4.41	2.36	15K	045923124358	24/6
S11360i*	14A21/CL/LED/927/120V	14	120	A21	E26	CL	2700K	1600	90	320°	5.00	2.76	15K	045923113604	24/6
S11361i*	14A21/CL/LED/930/120V	14	120	A21	E26	CL	3000K	1600	90	320°	5.00	2.76	15K	045923113611	24/6
S11362i*	14A21/SW/LED/927/120V	14	120	A21	E26	SW	2700K	1600	90	320°	5.00	2.76	15K	045923113628	24/6
<b>Multi-Pack</b>															
S12442	12.5A19/CL/LED/927/120V/4PK	12.5	120	A19	E26	CL	2700K	1500	90	320°	4.41	2.36	15K	045923124426	12-4pks
S12443	12.5A19/CL/LED/930/120V/4PK	12.5	120	A19	E26	CL	3000K	1500	90	320°	4.41	2.36	15K	045923124433	12-4pks
S12440	13.5A19/FR/LED/927/120V/4PK	13.5	120	A19	E26	SW	2700K	1500	90	320°	4.41	2.36	15K	045923124402	12-4pks
S12441*	13.5A19/FR/LED/930/120V/4PK	13.5	120	A19	E26	SW	3000K	1500	90	320°	4.41	2.36	15K	045923124419	12-4pks

\*See warranty for details at [www.satco.com](http://www.satco.com). ■T24/JA8.

Product sheet SA2690

# RESIDENTIAL AND COMMERCIAL HIGH LUMEN FILAMENT LAMPS



## Features:

- Replaces up to 200W incandescent
- Improved lumens per watt—higher efficiency
- LED filament and glass envelope construction
- Dimmable\*
- Wet location
- T20 compliant†
- 3 year warranty



# RESIDENTIAL AND COMMERCIAL HIGH LUMEN FILAMENT LAMPS



Item	Description	W	Bulb Shape	V	Base	Finish	CCT	Lm	CRI	Life/Hrs.	MOL (in.)	UPC	Pack
<b>125 Watt Replacement</b>													
S12444*	17A21/FR/LED/E26/930/120V	17	A21	120	E26	FR	3000	2000	90	15,000	5.2	045923124440	24/12
S12445**	17A21/FR/LED/E26/940/120V	17	A21	120	E26	FR	4000	2000	90	15,000	5.2	045923124457	24/12
S12446**	17A21/FR/LED/E26/950/120V	17	A21	120	E26	FR	5000	2000	90	15,000	5.2	045923124464	24/12
<b>150 Watt Replacement</b>													
S12447*	18.5A21/FR/LED/E26/830/120V	18.5	A21	120	E26	FR	3000	2610	80	15,000	5.2	045923124471	24/12
S12448*	18.5A21/FR/LED/E26/840/120V	18.5	A21	120	E26	FR	4000	2610	80	15,000	5.2	045923124488	24/12
S12449*	18.5A21/FR/LED/E26/850/120V	18.5	A21	120	E26	FR	5000	2610	80	15,000	5.2	045923124495	24/12
<b>200 Watt Replacement</b>													
S12450	21A23/FR/LED/E26/830/120V/ND	21	A23	120	E26	FR	3000	2900	80	15,000	5.6	045923124501	24/12
S12451	21A23/FR/LED/E26/840/120V/ND	21	A23	120	E26	FR	4000	2900	80	15,000	5.6	045923124518	24/12
S12452	21A23/FR/LED/E26/850/120V/ND	21	A23	120	E26	FR	5000	2900	80	15,000	5.6	045923124525	24/12

Product sheet SA2919

# LED FILAMENT LAMPS GLOBES - G16½



## Features:

- LED with a traditional incandescent look and feel
- Omni-directional light source
- Dimmable
- Wet location
- Approved for totally enclosed fixtures\*
- c-UL-us or c-ETL-us listed
- CEC T20
- 3 year warranty



G16½ WH E12



G16½ CL E12



G16½ CL E26



G16½ WH E26

# LED FILAMENT LAMPS GLOBES - G16½



Item	Description	W	V	Bulb Shape	Base	Finish	CCT	Lm	CRI	MOL (in.)	MOD (in.)	Life (hrs.)	UPC	Pack
<b>25 Watt Replacement E12</b>														
S21200	3G16.5/LED/CL/927/120V/E12	3	120	G16.5	E12	CL	2700K	200	90	3.11	1.97	15K	045923205156	24/6
S12471*	3G16.5/LED/CL/930/120V/E12	3	120	G16.5	E12	CL	3000K	200	90	3.11	1.97	15K	045923124716	24/6
S21201	3G16.5/LED/CL/940/120V/E12	3	120	G16.5	E12	CL	4000K	200	90	3.11	1.97	15K	045923205163	24/6
S21202	3G16.5/LED/WH/927/120V/E12	3	120	G16.5	E12	WH	2700K	200	90	3.11	1.97	15K	045923205170	24/6
S21203	3G16.5/LED/WH/940/120V/E12	3	120	G16.5	E12	WH	4000K	200	90	3.11	1.97	15K	045923205187	24/6
<b>40 Watt Replacement E12</b>														
S21204	4G16.5/LED/CL/927/120V/E12	4	120	G16.5	E12	CL	2700K	350	90	3.11	1.97	15K	045923205194	24/6
S21205	4G16.5/LED/CL/930/120V/E12	4	120	G16.5	E12	CL	3000K	350	90	3.11	1.97	15K	045923205200	24/6
S12472*	4G16.5/LED/CL/935/120V/E12	4	120	G16.5	E12	CL	3500K	350	90	3.11	1.97	15K	045923124723	24/6
S21206	4G16.5/LED/CL/940/120V/E12	4	120	G16.5	E12	CL	4000K	350	90	3.11	1.97	15K	045923205217	24/6
S12473*	4G16.5/LED/CL/950/120V/E12	4	120	G16.5	E12	CL	5000K	350	90	3.11	1.97	15K	045923124730	24/6
S21207	4.5G16.5/LED/WH/927/120V/E12	4.5	120	G16.5	E12	WH	2700K	350	90	3.11	1.97	15K	045923205224	24/6
S12474*	4.5G16.5/LED/WH/930/120V/E12	4.5	120	G16.5	E12	WH	3000K	350	90	3.11	1.97	15K	045923124747	24/6
S21208	4.5G16.5/LED/WH/940/120V/E12	4.5	120	G16.5	E12	WH	4000K	350	90	3.11	1.97	15K	045923205231	24/6
<b>40 Watt Replacement E12-Carded</b>														
S21810	4G16.5/LED/CL/927/120V/E12/2CD	4	120	G16.5	E12	CL	2700K	350	90	3.11	1.97	15K	045923218101	24/12
S21811	4G16.5/LED/CL/930/120V/E12/2CD	4	120	G16.5	E12	CL	3000K	350	90	3.11	1.97	15K	045923218118	24/12
S21875	4G16.5/LED/CL/950/120V/E12/2CD	4	120	G16.5	E12	CL	5000K	350	90	3.11	1.97	15K	045923218750	24/12
S21812	4.5G16.5/LED/WH/927/120V/E12/2CD	4.5	120	G16.5	E12	WH	2700K	350	90	3.11	1.97	15K	045923218125	24/12
S21876	4.5G16.5/LED/WH/950/120V/E12/2	4.5	120	G16.5	E12	WH	5000K	350	90	3.11	1.97	15K	045923218767	24/12
<b>40 Watt Replacement E26</b>														
S21215	4G16.5/LED/CL/927/120V/E26	4	120	G16.5	E26	CL	2700K	350	90	3.11	1.97	15K	045923205309	24/6
S21216	4G16.5/LED/CL/930/120V/E26	4	120	G16.5	E26	CL	3000K	350	90	3.11	1.97	15K	045923205316	24/6
S12475*	4G16.5/LED/CL/935/120V/E26	4	120	G16.5	E26	CL	3500K	350	90	3.11	1.97	15K	045923124754	24/6
S21217	4G16.5/LED/CL/940/120V/E26	4	120	G16.5	E26	CL	4000K	350	90	3.11	1.97	15K	045923205323	24/6
S12476*	4G16.5/LED/CL/950/120V/E26	4	120	G16.5	E26	CL	5000K	350	90	3.11	1.97	15K	045923124761	24/6
S21218	4.5G16.5/LED/WH/927/120V/E26	4.5	120	G16.5	E26	WH	2700K	350	90	3.11	1.97	15K	045923205330	24/6
S21219	4.5G16.5/LED/WH/940/120V/E26	4.5	120	G16.5	E26	WH	4000K	350	90	3.11	1.97	15K	045923205347	24/6
<b>40 Watt Replacement E26-Carded</b>														
S21815	4G16.5/LED/CL/927/120V/E26/2CD	4	120	G16.5	E26	CL	2700K	350	90	3.11	1.97	15K	045923218156	24/12
S21877	4G16.5/LED/CL/950/120V/E26/2CD	4	120	G16.5	E26	CL	5000K	350	90	3.11	1.97	15K	045923218774	24/12
S21816	4.5G16.5/LED/WH/927/120V/E26/2CD	4.5	120	G16.5	E26	WH	2700K	350	90	3.11	1.97	15K	045923218163	24/12
S21878	4.5G16.5/LED/WH/950/120V/E26/2CD	4.5	120	G16.5	E26	WH	5000K	350	90	3.11	1.97	15K	045923218781	24/12
<b>60 Watt Replacement E12</b>														
S21209	5.5G16.5/LED/CL/927/120V/E12	5.5	120	G16.5	E12	CL	2700K	500	90	3.11	1.97	15K	045923205248	24/6
S21210	5.5G16.5/LED/CL/930/120V/E12	5.5	120	G16.5	E12	CL	3000K	500	90	3.11	1.97	15K	045923205255	24/6
S12477*	5.5G16.5/LED/CL/935/120V/E12	5.5	120	G16.5	E12	CL	3500K	500	90	3.11	1.97	15K	045923124778	24/6
S21211	5.5G16.5/LED/CL/940/120V/E12	5.5	120	G16.5	E12	CL	4000K	500	90	3.11	1.97	15K	045923205262	24/6
S12478*	5.5G16.5/LED/CL/950/120V/E12	5.5	120	G16.5	E12	CL	5000K	500	90	3.11	1.97	15K	045923124785	24/6
S21212	5.5G16.5/LED/WH/927/120V/E12	5.5	120	G16.5	E12	WH	2700K	500	90	3.11	1.97	15K	045923205279	24/6
S21213	5.5G16.5/LED/WH/930/120V/E12	5.5	120	G16.5	E12	WH	3000K	500	90	3.11	1.97	15K	045923205286	24/6
S21214	5.5G16.5/LED/WH/940/120V/E12	5.5	120	G16.5	E12	WH	4000K	500	90	3.11	1.97	15K	045923205293	24/6
<b>60 Watt Replacement E12-Carded</b>														
S21813	5.5G16.5/LED/CL/927/120V/E12/2CD	5.5	120	G16.5	E12	CL	2700K	500	90	3.11	1.97	15K	045923218132	24/12
S21814	5.5G16.5/LED/WH/927/120V/E12/2CD	5.5	120	G16.5	E12	WH	2700K	500	90	3.11	1.97	15K	045923218149	24/12
<b>60 Watt Replacement E26</b>														
S21220	5.5G16.5/LED/CL/927/120V/E26	5.5	120	G16.5	E26	CL	2700K	500	90	3.11	1.97	15K	045923205354	24/6
S21221	5.5G16.5/LED/CL/930/120V/E26	5.5	120	G16.5	E26	CL	3000K	500	90	3.11	1.97	15K	045923205361	24/6
S12479*	5.5G16.5/LED/CL/935/120V/E26	5.5	120	G16.5	E26	CL	3500K	500	90	3.11	1.97	15K	045923124792	24/6
S21222	5.5G16.5/LED/CL/940/120V/E26	5.5	120	G16.5	E26	CL	4000K	500	90	3.11	1.97	15K	045923205378	24/6
S12480*	5.5G16.5/LED/CL/950/120V/E26	5.5	120	G16.5	E26	CL	5000K	500	90	3.11	1.97	15K	045923124808	24/6
S21223	5.5G16.5/LED/WH/927/120V/E26	5.5	120	G16.5	E26	WH	2700K	500	90	3.11	1.97	15K	045923205385	24/6
S21224	5.5G16.5/LED/WH/930/120V/E26	5.5	120	G16.5	E26	WH	3000K	500	90	3.11	1.97	15K	045923205392	24/6
S21225	5.5G16.5/LED/WH/940/120V/E26	5.5	120	G16.5	E26	WH	4000K	500	90	3.11	1.97	15K	045923205408	24/6

\*See warranty for details at [www.satco.com](http://www.satco.com). \*cULus rated.

# LED FILAMENT LAMPS GLOBES - G25 40W & 60W REPLACEMENTS

## Features:

- LED with a traditional incandescent look and feel
- Omni-directional light source
- Dimmable
- Wet location
- Approved for totally enclosed fixtures<sup>^</sup>
- c-UL-us or c-ETL-us listed
- CEC T20
- 3 year warranty



G25 Clear

G25 White

G25 SLV

G25 GLD



Item	Description	W	V	Bulb Shape	Base	Finish	CCT	Lm	CRI	MOL (in.)	MOD (in.)	Life (hrs.)	UPC	Pack
<b>40 Watt Replacement</b>														
S21226	4.5G25/LED/CL/927/120V	4.5	120	G25	E26	CL	2700K	350	90	4.45	3.15	15K	045923205415	24/6
S21227	4.5G25/LED/CL/930/120V	4.5	120	G25	E26	CL	3000K	350	90	4.45	3.15	15K	045923205422	24/6
S12481	4.5G25/LED/CL/935/120V	4.5	120	G25	E26	CL	3500K	350	92	4.45	3.15	15K	045923124815	24/6
S21228	4.5G25/LED/CL/940/120V	4.5	120	G25	E26	CL	4000K	350	90	4.45	3.15	15K	045923205439	24/6
S21229	4.5G25/LED/CL/950/120V	4.5	120	G25	E26	CL	5000K	350	90	4.45	3.15	15K	045923205446	24/6
S21230	4.5G25/LED/WH/927/120V	4.5	120	G25	E26	WH	2700K	350	90	4.45	3.15	15K	045923205453	24/6
S21231	4.5G25/LED/WH/930/120V	4.5	120	G25	E26	WH	3000K	350	90	4.45	3.15	15K	045923205460	24/6
S21232	4.5G25/LED/WH/940/120V	4.5	120	G25	E26	WH	4000K	350	90	4.45	3.15	15K	045923205477	24/6
S21233	4.5G25/LED/WH/950/120V	4.5	120	G25	E26	WH	5000K	350	90	4.45	3.15	15K	045923205484	24/6
<b>Multi-Pack</b>														
S21242	4.5G25/LED/CL/927/120V/2PK	4.5	120	G25	E26	CL	2700K	350	90	4.45	3.15	15K	045923205576	24/2pks
S21243	4.5G25/LED/CL/930/120V/2PK	4.5	120	G25	E26	CL	3000K	350	90	4.45	3.15	15K	045923205583	24/2pks
S21244	4.5G25/LED/WH/927/120V/2PK	4.5	120	G25	E26	WH	2700K	350	90	4.45	3.15	15K	045923205590	24/2pks
<b>60 Watt Replacement</b>														
S12541	5.5G25/SLVR/LED/927/120V	5.5	120	G25	E26	SLV	2700K	500	90	4.53	3.15	15K	045923125416	24/6
S12542	5.5G25/GOLD/LED/927/120V	5.5	120	G25	E26	GLD	2700K	500	90	4.53	3.15	15K	045923125423	24/6
S29878†	5.5G25/LED/CL/927/120V	5.5	120	G25	E26	CL	2700K	500	90	4.45	3.15	15K	045923298783	24/6
S21234	6G25/LED/CL/927/120V	6	120	G25	E26	CL	2700K	500	90	4.45	3.15	15K	045923205491	24/6
S21235	6G25/LED/CL/930/120V	6	120	G25	E26	CL	3000K	500	90	4.45	3.15	15K	045923205507	24/6
S12482	6G25/LED/CL/935/120V	6	120	G25	E26	CL	3500K	500	90	4.45	3.15	15K	045923124822	24/6
S21236	6G25/LED/CL/940/120V	6	120	G25	E26	CL	4000K	500	90	4.45	3.15	15K	045923205514	24/6
S21237	6G25/LED/CL/950/120V	6	120	G25	E26	CL	5000K	500	90	4.45	3.15	15K	045923205521	24/6
S21238	6G25/LED/WH/927/120V	6	120	G25	E26	WH	2700K	500	90	4.45	3.15	15K	045923205538	24/6
S21239	6G25/LED/WH/930/120V	6	120	G25	E26	WH	3000K	500	90	4.45	3.15	15K	045923205545	24/6
S12483	6G25/LED/WH/935/120V	6	120	G25	E26	WH	3500K	500	90	4.45	3.15	15K	045923124839	24/6
S21240	6G25/LED/WH/940/120V	6	120	G25	E26	WH	4000K	500	90	4.45	3.15	15K	045923205552	24/6
S21241	6G25/LED/WH/950/120V	6	120	G25	E26	WH	5000K	500	90	4.45	3.15	15K	045923205569	24/6
<b>Multi-Pack</b>														
S21245	6G25/LED/CL/927/120V/2PK	6	120	G25	E26	CL	2700K	500	90	4.45	3.15	15K	045923205606	24/2pks
S21246	6G25/LED/CL/930/120V/2PK	6	120	G25	E26	CL	3000K	500	90	4.45	3.15	15K	045923205613	24/2pks
S21247	6G25/LED/WH/927/120V/2PK	6	120	G25	E26	WH	2700K	500	90	4.45	3.15	15K	045923205620	24/2pks

<sup>^</sup> See warranty for details at [www.satco.com](http://www.satco.com). Damp Rated.

# LED FILAMENT LAMPS GLOBES - G40 40W, 60W, & 100W REPLACEMENTS

## Features:

- LED with a traditional incandescent look and feel
- Omni-directional light source
- Dimmable
- Wet location
- Approved for totally enclosed fixtures ^
- c-UL-us or c-ETL-us listed
- 3 year warranty

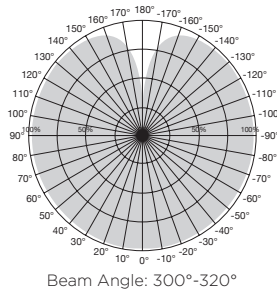


G40 Clear

G40 White

G40 SLV

G40 GLD



Item	Description	W	V	Bulb Shape	Base	Finish	CCT	Lm	CRI	MOL (in.)	MOD (in.)	Life (hrs.)	UPC	Pack
<b>40 Watt Replacement</b>														
S21248	4G40/CL/LED/E26/927/120V	4	120	G40	E26	CL	2700K	350	90	6.54	4.88	15K	045923205637	24/6
S12484	4G40/CL/LED/E26/930/120V	4	120	G40	E26	CL	3000K	350	90	6.54	4.88	15K	0459232124846	24/6
S21249	4G40/CL/LED/E26/940/120V	4	120	G40	E26	CL	4000K	350	90	6.54	4.88	15K	045923205644	24/6
S21250	4.5G40/WH/LED/E26/927/120V	4.5	120	G40	E26	WH	2700K	350	90	6.54	4.88	15K	045923205651	24/6
S21251	4.5G40/WH/LED/E26/940/120V	4.5	120	G40	E26	WH	4000K	350	90	6.54	4.88	15K	045923205668	24/6
<b>60 Watt Replacement</b>														
S21252	6G40/CL/LED/E26/927/120V	6	120	G40	E26	CL	2700K	500	90	6.54	4.88	15K	045923205675	24/6
S21253	6G40/CL/LED/E26/930/120V	6	120	G40	E26	CL	3000K	500	90	6.54	4.88	15K	045923205682	24/6
S12485	6G40/CL/LED/E26/935/120V	6	120	G40	E26	CL	3500K	500	90	6.54	4.88	15K	0459232124853	24/6
S21254	6G40/CL/LED/E26/940/120V	6	120	G40	E26	CL	4000K	500	90	6.54	4.88	15K	045923205699	24/6
S12486	6G40/CL/LED/E26/950/120V	6	120	G40	E26	CL	5000K	500	90	6.54	4.88	15K	0459232124860	24/6
S21255	6G40/WH/LED/E26/927/120V	6	120	G40	E26	WH	2700K	500	90	6.54	4.88	15K	045923205705	24/6
S21256	6G40/WH/LED/E26/930/120V	6	120	G40	E26	WH	3000K	500	90	6.54	4.88	15K	045923205712	24/6
S21257	6G40/WH/LED/E26/940/120V	6	120	G40	E26	WH	4000K	500	90	6.54	4.88	15K	045923205729	24/6
S12487	8G40/CL/LED/E26/927/120V	6	120	G40	E26	WH	2700K	800	90	6.54	4.88	15K	0459232124877	24/6
<b>100 Watt Replacement</b>														
S12545	8G40/SLVR/LED/927/120V	8	120	G40	E26	SLV	2700K	800	90	6.97	4.92	15K	045923125454	12/6
S12546	8G40/GOLD/LED/927/120V	8	120	G40	E26	GLD	2700K	800	90	6.97	4.92	15K	045923125461	12/6
S21258**	8G40/CL/LED/E26/930/120V	8	120	G40	E26	CL	3000K	800	90	6.54	4.88	15K	045923205736	24/6
S12488	8G40/CL/LED/E26/935/120V	8	120	G40	E26	CL	3500K	800	90	6.54	4.88	15K	0459232124884	24/6
S21259**	8G40/CL/LED/E26/940/120V	8	120	G40	E26	CL	4000K	800	90	6.54	4.88	15K	045923205743	24/6
S12489	8G40/CL/LED/E26/950/120V	8	120	G40	E26	CL	5000K	800	90	6.54	4.88	15K	0459232124891	24/6
S21260	8G40/WH/LED/E26/930/120V	8	120	G40	E26	WH	3000K	800	90	6.54	4.88	15K	045923205750	24/6
S21261	8G40/WH/LED/E26/940/120V	8	120	G40	E26	WH	4000K	800	90	6.54	4.88	15K	045923205767	24/6

\*See warranty for details at [www.satco.com](http://www.satco.com)

Product sheet SA1980

# LED FILAMENT LAMPS DECORATIVE - CANDELABRA BASE/TORPEDO SHAPE



## Features:

- Filament style LED with a traditional incandescent look and feel
- Omni-directional light source
- Dimmable
- Wet location
- Approved for totally enclosed fixtures<sup>^</sup>
- c-UL-us/c-ETL-us listed
- CEC T20\*
- 3 year warranty



B11 Clear

B11 Frost



Item	Description	W	V	Bulb Shape	Base	Finish	CCT	Lm	CRI	MOL (in.)	MOD (in.)	Life hrs.)	UPC	Pack
<b>25 Watt Replacement</b>														
S21262	3B11/LED/927/CL/120V/E12	3	120	B11	E12	CL	2700K	200	90	3.97	1.38	15K	045923205774	24/6
S12490*	3B11/LED/930/CL/120V/E12	3	120	B11	E12	CL	3000K	200	90	3.97	1.38	15K	045923124907	24/6
S21263	3B11/LED/927/FR/120V/E12	3	120	B11	E12	FR	2700K	200	90	3.97	1.38	15K	045923205781	24/6
S12491	3B11/LED/930/FR/120V/E12	3	120	B11	E12	FR	3000K	200	90	3.97	1.38	15K	045923124914	24/6
<b>25 Watt Replacement E12-Carded</b>														
S21817	3B11/LED/927/CL/120V/E12/2CD	3	120	B11	E12	CL	2700K	200	90	3.97	1.38	15K	045923218170	24/12
S21818	3B11/LED/927/FR/120V/E12/2CD	3	120	B11	E12	FR	2700K	200	90	3.97	1.38	15K	045923218187	24/12
<b>40 Watt Replacement</b>														
S21264	4B11/LED/927/CL/120V/E12	4	120	B11	E12	CL	2700K	350	90	3.97	1.38	15K	045923205798	24/6
S21265	4B11/LED/930/CL/120V/E12	4	120	B11	E12	CL	3000K	350	90	3.97	1.38	15K	045923205804	24/6
S21266	4B11/LED/935/CL/120V/E12	4	120	B11	E12	CL	3500K	350	90	3.97	1.38	15K	045923205811	24/6
S21267	4B11/LED/940/CL/120V/E12	4	120	B11	E12	CL	4000K	350	90	3.97	1.38	15K	045923205828	24/6

Continued next page



Item	Description	W	V	Bulb Shape	Base	Finish	CCT	Lm	CRI	MOL (in.)	MOD (in.)	Life hrs.)	UPC	Pack
<b>40 Watt Replacement (cont.)</b>														
S21268	4B11/LED/950/CL/120V/E12	4	120	B11	E12	CL	5000K	350	90	3.97	1.38	15K	045923205835	24/6
S21269	4B11/LED/927/FR/120V/E12	4	120	B11	E12	FR	2700K	350	90	3.97	1.38	15K	045923205842	24/6
S21270	4B11/LED/930/FR/120V/E12	4	120	B11	E12	FR	3000K	350	90	3.97	1.38	15K	045923205859	24/6
S21271	4B11/LED/940/FR/120V/E12	4	120	B11	E12	FR	4000K	350	90	3.97	1.38	15K	045923205866	24/6
S21272	4B11/LED/950/FR/120V/E12	4	120	B11	E12	FR	5000K	350	90	3.97	1.38	15K	045923205873	24/6
S29877*	4.5B11/LED/927/CL/120V/E12	4.5	120	B11	E12	CL	2700K	350	90	3.75	1.25	15K	045923298776	24/6
<b>40 Watt Multi-Pack-Box</b>														
S21366	4B11/LED/927/CL/120V/E12/3PK	4	120	B11	E12	CL	2700K	350	90	3.97	1.38	15K	045923206733	24/3pks
S21367	4B11/LED/930/CL/120V/E12/3PK	4	120	B11	E12	CL	3000K	350	90	3.97	1.38	15K	045923206740	24/3pks
S12492	4B11/LED/930/CL/120V/E12/10PK	4	120	B11	E12	CL	3000K	350	90	3.97	1.38	15K	045923124941	12/10
S12493	4B11/LED/950/CL/120V/E12/10PK	4	120	B11	E12	CL	5000K	350	90	3.97	1.38	15K	045923124938	12/10
<b>40 Watt Replacement E14</b>														
S12115	4.5W/TORP/EURO-E14/CL/120V	4.5	120	B11	E14	CL	3000K	350	80	3.88	1.38	15K	045923121159	24/6
S12116	4.5W/TORP/EURO-E14/CL/120V	4.5	120	B11	E14	CL	4000K	350	80	3.88	1.38	15K	045923121166	24/6
S12117	4.5W/TORP/EURO-E14/FR/120V	4.5	120	B11	E14	FR	3000K	350	80	3.88	1.38	15K	045923121173	24/6
S12118	4.5W/TORP/EURO-E14/FR/120V	4.5	120	B11	E14	FR	4000K	350	80	3.88	1.38	15K	045923121180	24/6
<b>40 Watt Replacement E12-Carded</b>														
S21819	4B11/LED/927/CL/120V/E12/2CD	4	120	B11	E12	CL	2700K	350	90	3.97	1.38	15K	045923218194	24/12
S21820	4B11/LED/930/CL/120V/E12/2CD	4	120	B11	E12	CL	3000K	350	90	3.97	1.38	15K	045923218200	24/12
S21821	4B11/LED/930/CL/120V/E12/4CD	4	120	B11	E12	CL	3000K	350	90	3.97	1.38	15K	045923218217	24/12
S21822	4B11/LED/950/CL/120V/E12/2CD	4	120	B11	E12	CL	5000K	350	90	3.97	1.38	15K	045923218224	24/12
S21823	4B11/LED/927/FR/120V/E12/2CD	4	120	B11	E12	FR	2700K	350	90	3.97	1.38	15K	045923218231	24/12
S21824	4B11/LED/930/FR/120V/E12/2CD	4	120	B11	E12	FR	3000K	350	90	3.97	1.38	15K	045923218248	24/12
S21825	4B11/LED/930/FR/120V/E12/4CD	4	120	B11	E12	FR	3000K	350	90	3.97	1.38	15K	045923218255	24/12
S21826	4B11/LED/950/FR/120V/E12/2CD	4	120	B11	E12	FR	5000K	350	90	3.97	1.38	15K	045923218262	24/12
<b>60 Watt Replacement</b>														
S21273	5.5B11/LED/927/CL/120V/E12	5.5	120	B11	E12	CL	2700K	500	90	3.97	1.38	15K	045923205880	24/6
S21274	5.5B11/LED/930/CL/120V/E12	5.5	120	B11	E12	CL	3000K	500	90	3.97	1.38	15K	045923205897	24/6
S21275	5.5B11/LED/935/CL/120V/E12	5.5	120	B11	E12	CL	3500K	500	90	3.97	1.38	15K	045923205903	24/6
S21276	5.5B11/LED/940/CL/120V/E12	5.5	120	B11	E12	CL	4000K	500	90	3.97	1.38	15K	045923205910	24/6
S21277	5.5B11/LED/950/CL/120V/E12	5.5	120	B11	E12	CL	5000K	500	90	3.97	1.38	15K	045923205927	24/6
S21278	5.5B11/LED/927/FR/120V/E12	5.5	120	B11	E12	FR	2700K	500	90	3.97	1.38	15K	045923205934	24/6
S21279	5.5B11/LED/930/FR/120V/E12	5.5	120	B11	E12	FR	3000K	500	90	3.97	1.38	15K	045923205941	24/6
S21280	5.5B11/LED/940/FR/120V/E12	5.5	120	B11	E12	FR	4000K	500	90	3.97	1.38	15K	045923205958	24/6
S21281	5.5B11/LED/950/FR/120V/E12	5.5	120	B11	E12	FR	5000K	500	90	3.97	1.38	15K	045923205965	24/6
<b>60 Watt Replacement Multi-Pack Box</b>														
S12494	5.5B11/LED/930/CL/120V/E12/10PK	5.5	120	B11	E12	CL	3000K	500	90	3.97	1.38	15K	045923124945	12/10
S12495	5.5B11/LED/950/CL/120V/E12/10PK	5.5	120	B11	E12	CL	5000K	500	90	3.97	1.38	15K	045923124952	12/10
<b>60 Watt Replacement E12-Carded</b>														
S21827	5.5B11/LED/927/CL/120V/E12/2CD	5.5	120	B11	E12	CL	2700K	500	90	3.97	1.38	15K	045923218279	24/12
S21828	5.5B11/LED/930/CL/120V/E12/2CD	5.5	120	B11	E12	CL	3000K	500	90	3.97	1.38	15K	045923218286	24/12
S21829	5.5B11/LED/950/CL/120V/E12/2CD	5.5	120	B11	E12	CL	5000K	500	90	3.97	1.38	15K	045923128295	24/12
S21830	5.5B11/LED/927/FR/120V/E12/2CD	5.5	120	B11	E12	FR	2700K	500	90	3.97	1.38	15K	045923218309	24/12
S21831	5.5B11/LED/950/FR/120V/E12/2CD	5.5	120	B11	E12	FR	5000K	500	90	3.97	1.38	15K	045923218316	24/12
<b>75 Watt Replacement</b>														
S11383	8B11/CTC/LED/927/120V/E12	8	120	B11	E12	CL	2700K	760	90	3.86	1.38	15K	045923113833	24/6
S11385	8B11/CTC/LED/930/120V/E12	8	120	B11	E12	CL	3000K	760	90	3.86	1.38	15K	045923113857	24/6
S12496	8B11/CTC/LED/935/120V/E12	8	120	B11	E12	CL	3500K	760	90	3.86	1.38	15K	045923124969	24/6
S11344	8B11/CTC/LED/940/120V/E12	8	120	B11	E12	CL	4000K	760	90	3.86	1.38	15K	045923113444	24/6
S11345	8B11/CTC/LED/950/120V/E12	8	120	B11	E12	CL	5000K	760	90	3.86	1.38	15K	045923113451	24/6
S11384	8B11/CTF/LED/927/120V/E12	8	120	B11	E12	FR	2700K	760	90	3.86	1.38	15K	045923113840	24/6
S11346	8B11/CTF/LED/930/120V/E12	8	120	B11	E12	FR	3000K	760	90	3.86	1.38	15K	045923113468	24/6
S12497	8B11/CTF/LED/940/120V/E12	8	120	B11	E12	FR	4000K	760	90	3.86	1.38	15K	045923124976	24/6
S12498	8B11/CTF/LED/950/120V/E12	8	120	B11	E12	FR	5000K	760	90	3.86	1.38	15K	045923124983	24/6

\*See warranty for details at [www.satco.com](http://www.satco.com)

# LED CANDELABRA DUSK-TO-DAWN



## Features:

Built-in photocell sensor ensures that these bulbs automatically turn on at dusk and off at dawn, making them energy efficient and low maintenance

Enhance safety and security with lights that turn ON only when it's dark enough to be needed

Clear glass bulb with internal filaments for a classic look with updated energy savings

Available in 2700K and 5000K CCT options for warm or natural illumination, improving safety and ambiance



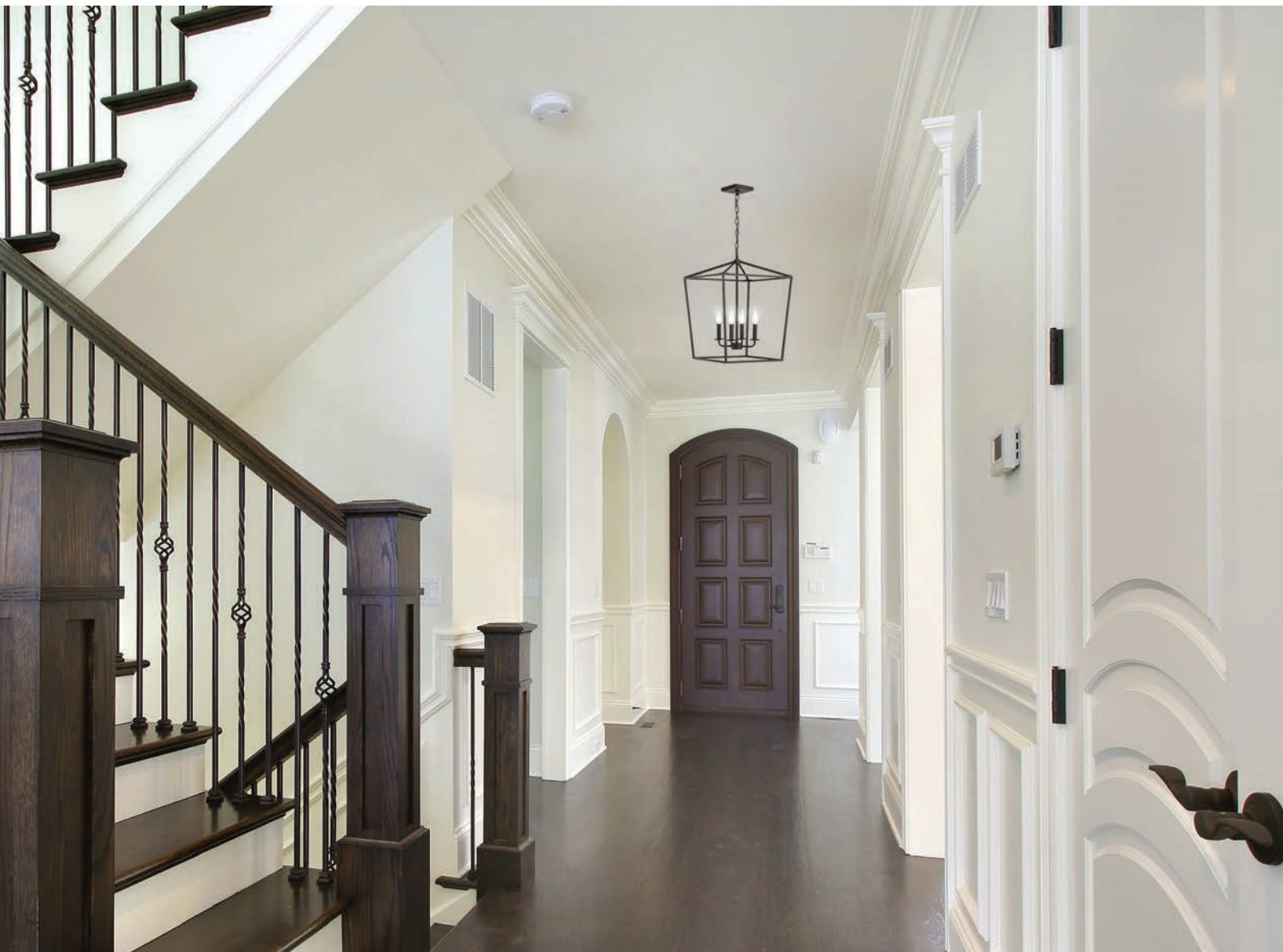
# LED CANDELABRA DUSK-TO-DAWN



Item	Description	W	V	Bulb Shape	Base	CCT	Lm	MOL (in.)	MOD (in.)	Life/Hrs.	UPC	Pack
<b>60 Watt Replacement</b>												
S11477	5B11/DUSK/DAWN/927	5	120	B11	E12	2700K	500	4.02	1.38	15,000	045923114779	48/12
S11478	5B11/DUSK/DAWN/950	5	120	B11	E12	5000K	500	4.02	1.38	15,000	045923114786	48/12

Product sheet SN1685

# LED FILAMENT LAMPS DECORATIVE - MEDIUM BASE/TORPEDO

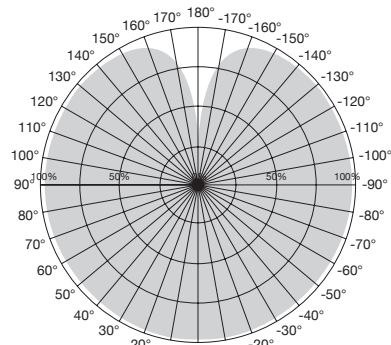


## Features:

- LED with a traditional incandescent look and feel
- Omni-directional light source
- Dimmable
- Wet location
- Approved for totally enclosed fixtures ^
- c-UL-us/c-ETL-us listed
- CEC T20
- 3 year warranty



# LED FILAMENT LAMPS DECORATIVE - MEDIUM BASE/TORPEDO



Beam Angle: 300°



B11 Clear



B11 Frost



Item	Description	W	V	Bulb Shape	Base	Finish	CCT	Lm	CRI	MOL (in.)	MOD (in.)	Life (hrs.)	UPC	Pack
<b>25 Watt Replacement</b>														
S21282	3B11/LED/927/CL/120V/E26	3	120	B11	E26	CL	2700K	250	90	3.58	1.38	15K	045923124990	24/6
S12499	3B11/LED/930/CL/120V/E26	3	120	B11	E26	CL	3000K	250	90	3.58	1.38	15K	045923205972	24/6
S21283	3B11/LED/927/FR/120V/E26	3	120	B11	E26	FR	2700K	250	90	3.58	1.38	15K	045923205989	24/6
<b>25 Watt Replacement E26-Carded</b>														
S21832	3B11/LED/927/CL/120V/E26/2CD	3	120	B11	E26	CL	2700K	250	90	3.58	1.38	15K	045923218323	24/12
S21833	3B11/LED/927/FR/120V/E26/2CD	3	120	B11	E26	FR	2700K	250	90	3.58	1.38	15K	045923218330	24/12
<b>40 Watt Replacement</b>														
S21284	4B11/LED/927/CL/120V/E26	4	120	B11	E26	CL	2700K	350	90	3.58	1.38	15K	045923205996	24/6
S21285	4B11/LED/930/CL/120V/E26	4	120	B11	E26	CL	3000K	350	90	3.58	1.38	15K	045923206009	24/6
S12500	4B11/LED/935/CL/120V/E26	4	120	B11	E26	CL	3500K	350	90	3.58	1.38	15K	045923125003	24/6
S21286	4B11/LED/940/CL/120V/E26	4	120	B11	E26	CL	4000K	350	90	3.58	1.38	15K	045923206016	24/6
S12501	4B11/LED/950/CL/120V/E26	4	120	B11	E26	CL	5000K	350	90	3.58	1.38	15K	045923125010	24/6
S21287	4B11/LED/927/FR/120V/E26	4	120	B11	E26	FR	2700K	350	90	3.58	1.38	15K	045923206023	24/6
S21288	4B11/LED/930/FR/120V/E26	4	120	B11	E26	FR	3000K	350	90	3.58	1.38	15K	045923206030	24/6
S21289	4B11/LED/940/FR/120V/E26	4	120	B11	E26	FR	4000K	350	90	3.58	1.38	15K	045923206047	24/6
S21368	4B11/LED/927/CL/120V/E26	4	120	B11	E26	CL	2700K	350	90	3.58	1.38	15K	045923206757	24/6
S21369	4B11/LED/930/CL/120V/E26	4	120	B11	E26	CL	3000K	350	90	3.58	1.38	15K	045923206764	24/6
<b>40 Watt Replacement-Carded</b>														
S21879	4B11/LED/950/CL/120V/E26/2CD	4	120	B11	E26	CL	5000K	350	90	3.58	1.38	15K	045923218798	24/12
S21880	4B11/LED/950/FR/120V/E26/2CD	4	120	B11	E26	FR	5000K	350	90	3.58	1.38	15K	045923218804	24/12
S21834	4B11/LED/927/CL/120V/E26/2CD	4	120	B11	E26	CL	2700K	350	90	3.58	1.38	15K	045923218347	24/12
S21835	4B11/LED/930/CL/120V/E26/2CD	4	120	B11	E26	CL	3000K	350	90	3.58	1.38	15K	045923218354	24/12
S21836	4B11/LED/927/FR/120V/E26/2CD	4	120	B11	E26	FR	2700K	350	90	3.58	1.38	15K	045923218361	24/12
<b>60 Watt Replacement</b>														
S21290	5.5B11/LED/927/CL/120V/E26	5.5	120	B11	E26	CL	2700K	500	90	3.58	1.38	15K	045923206054	24/6
S12502	5.5B11/LED/930/CL/120V/E26	5.5	120	B11	E26	CL	3000K	500	90	3.58	1.38	15K	045923125027	24/6
S12503	5.5B11/LED/935/CL/120V/E26	5.5	120	B11	E26	CL	3500K	500	90	3.58	1.38	15K	045923125034	24/6
S21291	5.5B11/LED/940/CL/120V/E26	5.5	120	B11	E26	CL	4000K	500	90	3.58	1.38	15K	045923206061	24/6
S12504	5.5B11/LED/950/CL/120V/E26	5.5	120	B11	E26	CL	5000K	500	90	3.58	1.38	15K	045923125041	24/6
S21292	5.5B11/LED/927/FR/120V/E26	5.5	120	B11	E26	FR	2700K	500	90	3.58	1.38	15K	045923206078	24/6
S21293	5.5B11/LED/940/FR/120V/E26	5.5	120	B11	E26	FR	4000K	500	90	3.58	1.38	15K	045923206085	24/6
<b>60 Watt Replacement-Carded</b>														
S21837	5.5B11/LED/927/CL/120V/E26/2CD	5.5	120	B11	E26	CL	2700K	500	90	3.58	1.38	15K	045923218378	24/12
S21881	5.5B11/LED/950/CL/120V/E26/2CD	5.5	120	B11	E26	CL	5000K	500	90	3.58	1.38	15K	045923218811	24/12
S21838	5.5B11/LED/927/FR/120V/E26/2CD	5.5	120	B11	E26	FR	2700K	500	90	3.58	1.38	15K	045923218385	24/12
S21882	5.5B11/LED/950/FR/120V/E26/2CD	5.5	120	B11	E26	FR	5000K	500	90	3.58	1.38	15K	045923218828	24/12

\*See warranty for details at [www.satco.com](http://www.satco.com)



# LED FILAMENT LAMPS PRISMATIC CHANDELIER & DECORATIVE-FLAME TIP



Item	Description	W	V	Bulb Shape	Base	Finish	CCT	Lm	CRI	MOL (in.)	MOD (in.)	Life (hrs.)	UPC	Pack
<b>25 Watt Replacement</b>														
S21294	3CA10/LED/927/CL/120V/E12	3	120	CA10	E12	CL	2700K	200	90	4.72	1.38	15K	045923206092	24/6
S12505	3CA10/LED/930/CL/120V/E12	3	120	CA10	E12	CL	3000K	200	90	4.72	1.38	15K	045923125058	24/6
S21295	3CA10/LED/927/FR/120V/E12	3	120	CA10	E12	FR	2700K	200	90	4.72	1.38	15K	045923206108	24/6
<b>25 Watt Replacement</b>														
S12140	2HEX11/LED/CL/827/E12/120V/2CD	2	120	HX11	E12	CL	2700K	150	80	4.73	1.26	15K	045923121401	24/12
S12141	2HEX11/LED/FR/827/E12/120V/2CD	2	120	HX11	E12	FR	2700K	150	80	4.73	1.26	15K	045923121418	24/12
S12142	2HEX11/LED/AU/827/E12/120V/2CD	2	120	HX11	E12	AU	2700K	150	80	4.73	1.26	15K	045923121425	24/12
S21839	3CA10/LED/927/CL/120V/E12/2CD	3	120	CA10	E12	CL	2700K	200	90	4.72	1.38	15K	045923218392	24/12
<b>40 Watt Replacement</b>														
S21296	4CA10/LED/927/CL/120V/E12	4	120	CA10	E12	CL	2700K	350	90	4.72	1.38	15K	045923206115	24/6
S21297	4CA10/LED/930/CL/120V/E12	4	120	CA10	E12	CL	3000K	350	90	4.72	1.38	15K	045923206122	24/6
S12506	4CA10/LED/935/CL/120V/E12	4	120	CA10	E12	CL	3500K	350	90	4.72	1.38	15K	045923125065	24/6
S21298	4CA10/LED/940/CL/120V/E12	4	120	CA10	E12	CL	4000K	350	90	4.72	1.38	15K	045923206139	24/6
S21299	4CA10/LED/950/CL/120V/E12	4	120	CA10	E12	CL	5000K	350	90	4.72	1.38	15K	045923206146	24/6
S21300	4CA10/LED/927/FR/120V/E12	4	120	CA10	E12	FR	2700K	350	90	4.72	1.38	15K	045923206153	24/6
S21301	4CA10/LED/930/FR/120V/E12	4	120	CA10	E12	FR	3000K	350	90	4.72	1.38	15K	045923206160	24/6
S12507	4CA10/LED/935/FR/120V/E12	4	120	CA10	E12	FR	3500K	350	90	4.72	1.38	15K	045923125072	24/6
S21302	4CA10/LED/940/FR/120V/E12	4	120	CA10	E12	FR	4000K	350	90	4.72	1.38	15K	045923206177	24/6
S21303	4CA10/LED/950/FR/120V/E12	4	120	CA10	E12	FR	5000K	350	90	4.72	1.38	15K	045923206184	24/6
<b>40 Watt Replacement-Carded</b>														
S21840	4CA10/LED/927/CL/120V/E12/2CD	4	120	CA10	E12	CL	2700K	350	90	4.72	1.38	15K	045923218408	24/12
S21841	4CA10/LED/930/CL/120V/E12/2CD	4	120	CA10	E12	CL	3000K	350	90	4.72	1.38	15K	045923218415	24/12
S21842	4CA10/LED/950/CL/120V/E12/2CD	4	120	CA10	E12	CL	5000K	350	90	4.72	1.38	15K	045923218422	24/12
S21843	4CA10/LED/927/FR/120V/E12/2CD	4	120	CA10	E12	FR	2700K	350	90	4.72	1.38	15K	045923218439	24/12
S21844	4CA10/LED/930/FR/120V/E12/2CD	4	120	CA10	E12	FR	3000K	350	90	4.72	1.38	15K	045923218446	24/12
S21845	4CA10/LED/950/FR/120V/E12/2CD	4	120	CA10	E12	FR	5000K	350	90	4.72	1.38	15K	045923218453	24/12
<b>60 Watt Replacement</b>														
S21304	5.5CA10/LED/927/CL/120V/E12	5.5	120	CA10	E12	CL	2700K	500	90	4.72	1.38	15K	045923206191	24/6
S21305	5.5CA10/LED/930/CL/120V/E12	5.5	120	CA10	E12	CL	3000K	500	90	4.72	1.38	15K	045923206207	24/6
S12508	5.5CA10/LED/935/CL/120V/E12	5.5	120	CA10	E12	CL	3500K	500	90	4.72	1.38	15K	045923125089	24/6
S21306	5.5CA10/LED/940/CL/120V/E12	5.5	120	CA10	E12	CL	4000K	500	90	4.72	1.38	15K	045923206214	24/6
S12509	5.5CA10/LED/950/CL/120V/E12	5.5	120	CA10	E12	CL	5000K	500	90	4.72	1.38	15K	045923125096	24/6
S21307	5.5CA10/LED/927/FR/120V/E12	5.5	120	CA10	E12	FR	2700K	500	90	4.72	1.38	15K	045923206221	24/6
S21308	5.5CA10/LED/930/FR/120V/E12	5.5	120	CA10	E12	FR	3000K	500	90	4.72	1.38	15K	045923206238	24/6
S21309	5.5CA10/LED/940/FR/120V/E12	5.5	120	CA10	E12	FR	4000K	500	90	4.72	1.38	15K	045923206245	24/6
<b>60 Watt Replacement-Carded</b>														
S21846	5.5CA10/LED/927/CL/120V/E12/2CD	5.5	120	CA10	E12	CL	2700K	500	90	4.72	1.38	15K	045923218460	24/12
S21883	5.5CA10/LED/950/CL/120V/E12/2CD	5.5	120	CA10	E12	CL	5000K	500	90	4.72	1.38	15K	045923218835	24/12
S21847	5.5CA10/LED/927/FR/120V/E12/2CD	5.5	120	CA10	E12	FR	2700K	500	90	4.72	1.38	15K	045923218477	24/12
S21884	5.5CA10/LED/950/FR/120V/E12/2CD	5.5	120	CA10	E12	FR	5000K	500	90	4.72	1.38	15K	045923218842	24/12

\*See warranty for details at [www.satco.com](http://www.satco.com)

# LED FILAMENT LAMPS DECORATIVE - MEDIUM BASE FLAME TIP



## Features:

- LED with a traditional incandescent look and feel
- Omni-directional light source
- Dimmable
- Wet location
- Approved for totally enclosed fixtures ^
- 3 year warranty



# LED FILAMENT LAMPS DECORATIVE - MEDIUM BASE FLAME TIP



CA11 E26 Clear



CA11 E26 Frost



Item	Description	W	V	Bulb Shape	Base	Finish	CCT	Lm	CRI	MOL (in.)	MOD (in.)	Life (hrs.)	UPC	Pack	
<b>25 Watt Replacement</b>															
S21310	3CA10/LED/927/CL/120V/E26	3	120	CA10	E26	CL	2700K	250	90	4.33	1.38	15K	045923206252	24/6	
S12510	3CA10/LED/930/CL/120V/E26	3	120	CA10	E26	CL	3000K	250	90	4.33	1.38	15K	045923125102	24/6	
S21311	3CA10/LED/927/FR/120V/E26	3	120	CA10	E26	FR	2700K	250	90	4.33	1.38	15K	045923206269	24/6	
<b>25 Watt Replacement-Carded</b>															
S21848	3CA10/LED/927/CL/120V/E26/2CD	3	120	CA10	E26	CL	2700K	250	90	4.33	1.38	15K	045923218484	24/12	
<b>40 Watt Replacement</b>															
S21312	4CA10/LED/927/CL/120V/E26	4	120	CA10	E26	CL	2700K	350	90	4.33	1.38	15K	045923206276	24/6	
S21313	4CA10/LED/930/CL/120V/E26	4	120	CA10	E26	CL	3000K	350	90	4.33	1.38	15K	045923206283	24/6	
S21314	4CA10/LED/940/CL/120V/E26	4	120	CA10	E26	CL	4000K	350	90	4.33	1.38	15K	045923206290	24/6	
S12511	4CA10/LED/950/CL/120V/E26	4	120	CA10	E26	CL	5000K	350	90	4.33	1.38	15K	045923125119	24/6	
S21315	4CA10/LED/927/FR/120V/E26	4	120	CA10	E26	CL	2700K	350	90	4.33	1.38	15K	045923206306	24/6	
S21316	4CA10/LED/930/FR/120V/E26	4	120	CA10	E26	FR	3000K	350	90	4.33	1.38	15K	045923206313	24/6	
S21317	4CA10/LED/940/FR/120V/E26	4	120	CA10	E26	FR	4000K	350	90	4.33	1.38	15K	045923206320	24/6	
<b>40 Watt Replacement-Carded</b>															
S21849	4CA10/LED/927/CL/120V/E26/2CD	4	120	CA10	E26	CL	2700K	350	90	4.33	1.38	15K	045923218491	24/12	
S21850	4CA10/LED/930/CL/120V/E26/2CD	4	120	CA10	E26	CL	3000K	350	90	4.33	1.38	15K	045923218507	24/12	
S21885	4CA10/LED/950/CL/120V/E26/2CD	4	120	CA10	E26	CL	5000K	350	90	4.33	1.38	15K	045923218859	24/12	
S21851	4CA10/LED/927/FR/120V/E26/2CD	4	120	CA10	E26	FR	2700K	350	90	4.33	1.38	15K	045923218514	24/12	
S21886	4CA10/LED/950/FR/120V/E26/2CD	4	120	CA10	E26	FR	5000K	350	90	4.33	1.38	15K	045923218866	24/12	
<b>60 Watt Replacement</b>															
S21318	5.5CA10/LED/927/CL/120V/E26	5.5	120	CA10	E26	CL	2700K	500	90	4.33	1.38	15K	045923206337	24/6	
S12512	5.5CA10/LED/930/CL/120V/E26	5.5	120	CA10	E26	CL	3000K	500	90	4.33	1.38	15K	045923125126	24/6	
S21319	5.5CA10/LED/940/CL/120V/E26	5.5	120	CA10	E26	CL	4000K	500	90	4.33	1.38	15K	045923206344	24/6	
S12513	5.5CA10/LED/950/CL/120V/E26	5.5	120	CA10	E26	CL	5000K	500	90	4.33	1.38	15K	045923125133	24/6	
S21320	5.5CA10/LED/927/FR/120V/E26	5.5	120	CA10	E26	FR	2700K	500	90	4.33	1.38	15K	045923206351	24/6	
S21321	5.5CA10/LED/940/FR/120V/E26	5.5	120	CA10	E26	FR	4000K	500	90	4.33	1.38	15K	045923206368	24/6	
<b>60 Watt Replacement-Carded</b>															
S21852	5.5CA10/LED/927/CL/120V/E26/2CD	5.5	120	CA10	E26	CL	2700K	500	90	4.33	1.38	15K	045923218521	24/12	
S21887	5.5CA10/LED/950/CL/120V/E26/2CD	5.5	120	CA10	E26	CL	5000K	500	90	4.33	1.38	15K	045923218873	24/12	
S21853	5.5CA10/LED/927/FR/120V/E26/2CD	5.5	120	CA10	E26	FR	2700K	500	90	4.33	1.38	15K	045923218538	24/12	
S21888	5.5CA10/LED/950/FR/120V/E26/2CD	5.5	120	CA10	E26	FR	5000K	500	90	4.33	1.38	15K	045923218880	24/12	

\*See warranty for details at [www.satco.com](http://www.satco.com)

# LED FILAMENT SPECIALTY LAMPS



C7 E12

BT15 E26

## Features:

- LED with a traditional incandescent look and feel
- Omni-directional light source
- Dimmable
- Wet or damp location
- Approved for totally enclosed fixtures<sup>^</sup>
- c-ETL-us listed or CEC T20
- 3 year warranty



T6 E17



Item	Description	W	V	Bulb Shape	Base	Finish	CCT	Lm	CRI	MOL (in.)	MOD (in.)	Life (hrs.)	Pack
<b>7 Watt Replacement</b>													
S11308***	0.7W/C7/CL/LED/120V/2CD	0.7	120	C7	E12	CL	2700K	30	80	2.13	0.84	15K	24/12
<b>Tubular-Carded</b>													
S12114	3.5T7/LED/CL/E17/3K/120V/1CD	3.5	120	T6	E17	CL	3000K	350	80	2.68	1.00	15K	100/10
<b>BT15</b>													
<b>40 Watt Replacement</b>													
S21330	5BT15/CL/LED/927/120V	5	120	BT15	E26	CL	2700K	450	90	4.06	1.81	15K	24/6
S21331	5BT15/CL/LED/940/120V	5	120	BT15	E26	CL	4000K	450	90	4.06	1.81	15K	24/6
S21332	5BT15/WH/LED/927/120V	5	120	BT15	E26	WH	2700K	450	90	4.06	1.81	15K	24/6
S21333	5BT15/WH/LED/940/120V	5	120	BT15	E26	WH	4000K	450	90	4.06	1.81	15K	24/6
<b>40 Watt Replacement-Carded</b>													
S21854	5BT15/CL/LED/927/120V/2CD	5	120	BT15	E26	CL	2700K	450	90	4.06	1.81	15K	24/12
S21855	5BT15/WH/LED/927/120V/2CD	5	120	BT15	E26	WH	2700K	450	90	4.06	1.81	15K	24/12
<b>60 Watt Replacement</b>													
S21334	8BT15/CL/LED/927/120V	8	120	BT15	E26	CL	2700K	800	90	4.06	1.81	15K	24/6
S21335	8BT15/CL/LED/940/120V	8	120	BT15	E26	CL	4000K	800	90	4.06	1.81	15K	24/6
S21336	8BT15/CL/LED/950/120V	8	120	BT15	E26	CL	5000K	800	90	4.06	1.81	15K	24/6
S21337	8BT15/WH/LED/927/120V	8	120	BT15	E26	WH	2700K	800	90	4.06	1.81	15K	24/6
S21338	8BT15/WH/LED/940/120V	8	120	BT15	E26	WH	4000K	800	90	4.06	1.81	15K	24/6
S21339	8BT15/WH/LED/950/120V	8	120	BT15	E26	WH	5000K	800	90	4.06	1.81	15K	24/6
<b>60 Watt Replacement-Carded</b>													
S21856	8BT15/CL/LED/927/120V/2CD	8	120	BT15	E26	CL	2700K	800	90	4.06	1.81	15K	24/12
S21857	8BT15/WH/LED/927/120V/2CD	8	120	BT15	E26	WH	2700K	800	90	4.06	1.81	15K	24/12

<sup>\*</sup>See warranty for details at [www.satco.com](http://www.satco.com). <sup>\*\*</sup>Non-Dimmable. <sup>†</sup>cULus rated.

# LED FILAMENT SPECIALTY LAMPS TUBULAR



## Features:

- LED with a traditional incandescent look and feel
- Omni-directional light source
- Dimmable
- Wet location
- Approved for totally enclosed fixtures^
- c-ETL-us listed
- CEC T20
- 3 year warranty



T6.5 E12



T6.5 E17



Item	Description	W	V	Bulb Shape	Base	Finish	CCT	Lm	CRI	MOL (in.)	MOD (in.)	Life (hrs.)	Pack
<b>Tubular</b>													
<b>T6 - 25 Watt Replacement</b>													
S21340	2.8T6/LED/CL/927/120V/E12	2.8	120	T6	E12	CL	2700K	200	90	3.2	0.98	15K	24/6
S12518	2.8T6/LED/CL/930/120V/E12	2.8	120	T6	E12	CL	3000K	200	90	3.2	0.98	15K	24/6
S21341	2.8T6/LED/CL/940/120V/E12	2.8	120	T6	E12	CL	4000K	200	90	3.2	0.98	15K	24/6
S12519	2.8T6/LED/CL/950/120V/E12	2.8	120	T6	E12	CL	5000K	200	90	3.2	0.98	15K	24/6
<b>T6 - 40 Watt Replacement</b>													
S21380	4T6L/927/E12/GCYS/120V/W	4	120	T6	E12	CL	2700K	400	90	3.43	0.87	15K	24/6
S21381	4T6L/930/E12/GCYS/120V/W	4	120	T6	E12	CL	3000K	400	90	3.43	0.87	15K	24/6
S21383	4T6L/950/E12/GCYS/120V/W	4	120	T6	E12	CL	5000K	400	90	3.43	0.87	15K	24/6
<b>T6 - 25 Watt Replacement-Carded</b>													
S21858	2.8T6/LED/CL/927/120V/E12/2CD	2.8	120	T6	E12	CL	2700K	200	90	3.27	0.98	15K	24/12
<b>T6.5 - 25 Watt Replacement</b>													
S21342	3T6.5/LED/CL/927/E17	3	120	T6.5	E17	CL	2700K	200	90	2.17	0.87	15K	24/6
S21343	3T6.5/LED/CL/930/E17	3	120	T6.5	E17	CL	3000K	200	90	2.17	0.87	15K	24/6
S12520	3T6.5/LED/CL/940/E17	3	120	T6.5	E17	CL	4000K	200	90	2.17	0.87	15K	24/6
S12521	3T6.5/LED/CL/950/E17	3	120	T6.5	E17	CL	5000K	200	90	2.17	0.87	15K	24/6
<b>T6.5 - 40 Watt Replacement</b>													
S21370	4T6.5/LED/CL/930/120V	4	120	T6.5	E17	CL	3000K	400	90	5.12	0.79	15K	24/12
S21371	4T6.5/LED/CL/940/120V	4	120	T6.5	E17	CL	4000K	400	90	5.12	0.79	15K	24/12
S12522	4T6.5/LED/CL/950/120V	4	120	T6.5	E17	CL	5000K	400	90	5.12	0.79	15K	24/6
S21372	4T6.5/LED/FR/930/120V	4	120	T6.5	E17	CL	3000K	360	90	5.12	0.79	15K	24/12
S21373	4T6.5/LED/FR/940/120V	4	120	T6.5	E17	FR	4000K	360	90	5.12	0.79	15K	24/12
S12523	4T6.5/LED/FR/950/120V	4	120	T6.5	E17	CL	5000K	400	90	5.12	0.79	15K	24/6
S21374	4T6.5/LED/CL/930/120V	4	120	T6.5	BA15d	CL	3000K	400	90	5.12	0.79	15K	24/12
S21375	4T6.5/LED/CL/940/120V	4	120	T6.5	BA15d	CL	4000K	400	90	5.12	0.79	15K	24/12
S21376	4T6.5/LED/FR/930/120V	4	120	T6.5	BA15d	FR	3000K	360	90	5.12	0.79	15K	24/12
S21377	4T6.5/LED/FR/940/120V	4	120	T6.5	BA15d	FR	4000K	360	90	5.12	0.79	15K	24/12
<b>T6.5 - 40 Watt Replacement-Carded</b>													
S21860	4T6.5/LED/CL/930/120V/E17/1CD	4	120	T6.5	E17	CL	3000K	400	90	5.12	0.79	15K	24/12
S21861	4T6.5/LED/CL/930/120V/DC/1CD	4	120	T6.5	BA15d	CL	3000K	400	90	5.12	0.79	15K	24/12
<b>T9 - 40 Watt Replacement</b>													
S21384	5T9L/927/E12/GCYS/120V/W	5	120	T9	E12	CL	2700K	550	90	3.27	1.18	15K	24/6
S21385	5T9L/930/E12/GCYS/120V/W	5	120	T9	E12	CL	3000K	550	90	3.27	1.18	15K	24/6
S21386	5T9L/940/E12/GCYS/120V/W	5	120	T9	E12	CL	4000K	550	90	3.27	1.18	15K	24/6
S21387	5T9L/950/E12/GCYS/120V/W	5	120	T9	E12	CL	5000K	550	90	3.27	1.18	15K	24/6

\*See warranty for details at [www.satco.com](http://www.satco.com)

# LED FILAMENT SPECIALTY LAMPS TUBULAR



T10 E26

T10 E26

## Features:

- LED with a traditional incandescent look and feel
- Omni-directional light source
- Dimmable
- Wet location
- Approved for totally enclosed fixtures\*
- c-ETL-us or cULus listed
- 3 year warranty



Item	Description	W	V	Bulb Shape	Base	Finish	CCT	Lumen	CRI	MOL (in.)	MOD (in.)	Life (hrs.)	Pack
<b>T10 - 40 Watt Replacement</b>													
S21344	5.5T10/LED/CL/927/120V/E26	5.5	120	T10	E26	CL	2700K	450	90	5	1.25	15K	24/6
S21345	5.5T10/LED/CL/930/120V/E26	5.5	120	T10	E26	CL	3000K	450	90	5	1.25	15K	24/6
S12524	5.5T10/LED/CL/935/120V/E26	5.5	120	T10	E26	CL	3500K	450	90	5	1.25	15K	24/6
S21346	5.5T10/LED/CL/940/120V/E26	5.5	120	T10	E26	CL	4000K	450	90	5	1.25	15K	24/6
S21347	5.5T10/LED/CL/950/120V/E26	5.5	120	T10	E26	CL	5000K	450	90	5	1.25	15K	24/6
S21348	5.5T10/LED/FR/930/120V/E26	5.5	120	T10	E26	FR	3000K	450	90	5	1.25	15K	24/6
S21349	5.5T10/LED/FR/940/120V/E26	5.5	120	T10	E26	FR	4000K	450	90	5	1.25	15K	24/6
<b>T10 - 40 Watt Replacement-Carded</b>													
S21862	5.5T10/LED/CL/927/120V/	5.5	120	T10	E26	CL	2700K	450	90	5	1.25	15K	24/12
S21863	5.5T10/LED/CL/950/120V/	5.5	120	T10	E26	CL	5000K	450	90	5	1.25	15K	24/12
S21864	5.5T10/LED/FR/930/120V/	5.5	120	T10	E26	FR	3000K	450	90	5	1.25	15K	24/12
<b>T10 - 60 Watt Replacement</b>													
S21350	8T10/LED/CL/927/120V/E26	8	120	T10	E26	CL	2700K	800	90	5	1.25	15K	24/6
S21351	8T10/LED/CL/930/120V/E26	8	120	T10	E26	CL	3000K	800	90	5	1.25	15K	24/6
S12525	8T10/LED/CL/935/120V/E26	8	120	T10	E26	CL	3500K	800	90	5	1.25	15K	24/6
S12526	8T10/LED/CL/940/120V/E26	8	120	T10	E26	CL	4000K	800	90	5	1.25	15K	24/6
S12527	8T10/LED/CL/950/120V/E26	8	120	T10	E26	CL	5000K	800	90	5	1.25	15K	24/6
S21352	8T10/LED/FR/927/120V/E26	8	120	T10	E26	FR	2700K	720	90	5	1.25	15K	24/6
S21353	8T10/LED/FR/930/120V/E26	8	120	T10	E26	FR	3000K	720	90	5	1.25	15K	24/6
<b>T10 - 60 Watt Replacement-Carded</b>													
S21865	8T10/LED/CL/927/120V/E26/2CD	8	120	T10	E26	CL	2700K	800	90	5	1.25	15K	24/12
S21866	8T10/LED/FR/927/120V/E26/2CD	8	120	T10	E26	FR	2700K	720	90	5	1.25	15K	24/12

\*See warranty for details at [www.satco.com](http://www.satco.com)

# LED FILAMENT SPECIALTY LAMPS TUBULAR

## Features:

- LED with a traditional incandescent look and feel
- Omni-directional light source
- Dimmable
- Wet location
- Approved for totally enclosed fixtures<sup>\*</sup>
- c-ETL-us listed
- CEC T20
- 3 year warranty



Item	Description	W	V	Bulb Shape	Base	Finish	CCT	Lumen	CRI	MOL (in.)	MOD (in.)	Life (hrs.)	Pack
<b>T9 - 40 Watt Replacement</b>													
S12528	5T9/LED/CL/927/120V/E26	5	120	T9	E26	CL	2700K	500	90	7.2	1.18	15K	24/6
S12529	5T9/LED/CL/930/120V/E26	5	120	T9	E26	CL	3000K	500	90	7.2	1.18	15K	24/6
S12530	5T9/LED/CL/940/120V/E26	5	120	T9	E26	CL	4000K	500	90	7.2	1.18	15K	24/6
S12531	5T9/LED/CL/950/120V/E26	5	120	T9	E26	CL	5000K	500	90	7.2	1.18	15K	24/6
<b>T9 - 60 Watt Replacement</b>													
S21354	8T9/LED/CL/927/120V/E26	8	120	T9	E26	CL	2700K	800	90	7.2	1.18	15K	24/6
S21355	8T9/LED/CL/930/120V/E26	8	120	T9	E26	CL	3000K	800	90	7.2	1.18	15K	24/6
S12532	8T9/LED/CL/940/120V/E26	8	120	T9	E26	CL	4000K	800	90	7.2	1.18	15K	24/6
S12533	8T9/LED/CL/950/120V/E26	8	120	T9	E26	CL	5000K	800	90	7.2	1.18	15K	24/6
S21356	8T9/LED/FR/927/120V/E26	8	120	T9	E26	FR	2700K	700	90	7.2	1.18	15K	24/6
S21357	8T9/LED/FR/930/120V/E26	8	120	T9	E26	FR	3000K	700	90	7.2	1.18	15K	24/6
S21358	8T9/LED/CL/927/120V/E26	8	120	T9	E26	CL	2700K	800	90	12	1.18	15K	24/6
S21359	8T9/LED/CL/930/120V/E26	8	120	T9	E26	CL	3000K	800	90	12	1.18	15K	24/6
<b>T9 - 60 Watt Replacement-Carded</b>													
S21867	8T9/LED/CL/927/120V/E26/2CD	8	120	T9	E26	CL	2700K	800	90	7.2	1.18	15K	24/12
S21868	8T9/LED/FR/927/120V/E26/2CD	8	120	T9	E26	FR	2700K	700	90	7.2	1.18	15K	24/12
<b>T14 - 40 Watt Replacement</b>													
S21378	5.5T14/LED/CL/820/120V/E26	5.5	120	T14	E26	CL	2000K	500	90	4.53	1.77	15K	24/12
S21379	5.5T14/LED/CL/927/120V/E26	5.5	120	T14	E26	CL	2700K	500	90	4.53	1.77	15K	24/12
S12534	5.5T14/LED/CL/930/120V/E26	5.5	120	T14	E26	CL	3000K	500	90	4.53	1.77	15K	24/6
<b>ST19 - 40 Watt</b>													
S21360	5ST19/CL/LED/927/E26	5	120	ST19	E26	CL	2700K	425	90	5.43	2.28	15K	24/6
S21361	5ST19/CL/LED/930/E26	5	120	ST19	E26	CL	3000K	425	90	5.43	2.28	15K	24/6
S21362	5ST19/CL/LED/940/E26	5	120	ST19	E26	CL	4000K	425	90	5.43	2.28	15K	24/6
S12535	5ST19/CL/LED/950/E26	5	120	ST19	E26	CL	5000K	425	90	5.43	2.28	15K	24/6
<b>ST19 - 40 Watt Replacement-Carded</b>													
S21869	5ST19/CL/LED/927/E26/2CD	5	120	ST19	E26	CL	2700K	425	90	5.43	2.28	15K	24/12
<b>ST19 - 60 Watt</b>													
S21363	8ST19/CL/LED/927/E26	8	120	ST19	E26	CL	2700K	800	90	5.43	2.28	15K	24/6
S21364	8ST19/CL/LED/930/E26	8	120	ST19	E26	CL	3000K	800	90	5.43	2.28	15K	24/6
S21365	8ST19/CL/LED/940/E26	8	120	ST19	E26	CL	4000K	800	90	5.43	2.28	15K	24/6
S12536	8ST19/CL/LED/950/E26	8	120	ST19	E26	CL	5000K	800	90	5.43	2.28	15K	24/6
<b>ST19 - 60 Watt Replacement-Carded</b>													
S21870	8ST19/CL/LED/927/E26/2CD	8	120	ST19	E26	CL	2700K	800	90	5.43	2.28	15K	24/12

\*See warranty for details at [www.satco.com](http://www.satco.com)

# S14 LED STRING LIGHT LAMPS



## Features:

- LED with a traditional incandescent look and feel
- Omni-directional light source
- Available in 6 color options
- Approved for totally enclosed fixtures ^
- Wet location
- c-UL-us listed
- 3 year warranty



# S14 LED STRING LIGHT LAMPS



S8021



S8022



S8023



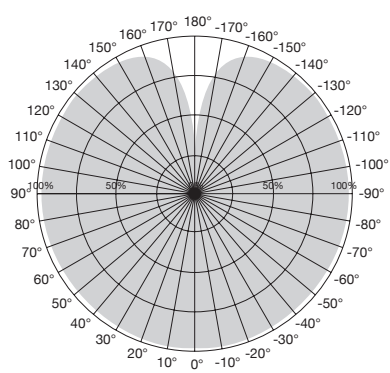
S8024



S8025



S8026



Beam Angle: 320°



Item	Description	W	V	Bulb Shape	Base	Finish	CCT	Lm	CRI	MOL (in.)	MOD (in.)	Life (hrs.)	UPC	Pack
<b>LED String Light Replacement Lamps</b>														
S8021R1	1W/LED/S14/CL/827/120V/ND/4PK	1	120	S14	E26	CL	2700K	100	80	3.43	1.18	15K	045923080210	24/4
S8022	1W/LED/S14/RED/120V/ND/4PK	1	120	S14	E26	RED	N/A	10	N/A	3.43	1.18	15K	045923080227	24/4
S8023	1W/LED/S14/BLUE/120V/ND/4PK	1	120	S14	E26	BLUE	N/A	5	N/A	3.43	1.18	15K	045923080234	24/4
S8024	1W/LED/S14/GREEN/120V/ND/4PK	1	120	S14	E26	GRN	N/A	20	N/A	3.43	1.18	15K	045923080241	24/4
S8025	1W/LED/S14/YELLOW/120V/ND/4PK	1	120	S14	E26	YLW	N/A	40	N/A	3.43	1.18	15K	045923080258	24/4
S8026	1W/LED/S14/ORANGE/120V/ND/4PK	1	120	S14	E26	ORNG	N/A	30	N/A	3.43	1.18	15K	045923080265	24/4
S8027R1	1W/LED/S14/CL/822/120V/ND/4PK	1	120	S14	E26	CL	2200K	100	80	3.43	1.18	15K	045923080272	24/4

\*See warranty for details at [www.satco.com](http://www.satco.com)

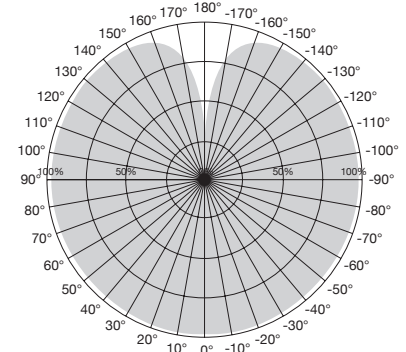
Product sheet SA2320

# AMBER LED FILAMENT LAMPS



## Features:

- LED with a traditional incandescent look and feel
- Omni-directional light source
- Dimmable
- Damp and wet location
- Approved for totally enclosed fixtures ^
- c-ETL-us or cULus listed
- 3 year warranty



Beam Angle: 360°

# AMBER LED FILAMENT LAMPS



A19



ST19



G25



G30



G40



T9



G16.5



CA11



C11



T6



Item	Description	W	V	Bulb Shape	Base	Finish	CCT	Lm	CRI	MOL (in.)	MOD (in.)	Life (hrs.)	UPC	Pack
<b>ST19</b>														
S14206	3.5ST19L/920/E26/GCAC/D	3.5	120	ST19	E26	CL Amber	2000K	300	90	5.32	2.29	15K	045923142062	24/6
S14207	5.5ST19L/920/E26/GCAC/D	5.5	120	ST19	E26	CL Amber	2000K	500	90	5.32	2.29	15K	045923142079	24/6
S14208	8ST19L/920/E26/GCAC/D	8	120	ST19	E26	CL Amber	2000K	800	90	5.32	2.29	15K	045923142086	24/6
<b>G16.5</b>														
S14209	3.5G25L/920/E26/GCAC/D	3.5	120	G16.5	E12	CL Amber	2000K	300	90	3.23	1.97	15K	045923142093	24/6
<b>G25</b>														
S14210	3.5G25L/920/E26/GCAC/D	3.5	120	G25	E26	CL Amber	2000K	300	90	4.73	3.15	15K	045923142109	24/6
S14211	5.5G25L/920/E26/GCAC/D	5.5	120	G25	E26	CL Amber	2000K	500	90	4.73	3.15	15K	045923142116	24/6
<b>G30</b>														
S14212	3.5G30L/920/E26/GCAC/D	3.5	120	G30	E26	CL Amber	2000K	300	90	5.36	3.74	15K	045923142123	24/6
S14213	5.5G30L/920/E26/GCAC/D	5.5	120	G30	E26	CL Amber	2000K	500	90	5.36	3.74	15K	045923142130	24/6
<b>G40</b>														
S14214	3.5G40L/920/E26/GCAC/D	3.5	120	G40	E26	CL Amber	2000K	300	90	6.58	4.89	15K	045923142147	24/6
S14215	5.5G40L/920/E26/GCAC/D	5.5	120	G40	E26	CL Amber	2000K	500	90	6.58	4.89	15K	045923142154	24/6
<b>T6</b>														
S14216	3.5T6L/920/E26/GCAS/D	3.5	120	T6	E26	CL Amber	2000K	300	90	4.9	0.87	15K	045923142161	24/6
S14217	5.5T6L/920/E26/GCAS/D	5.5	120	T6	E26	CL Amber	2000K	500	90	4.9	0.87	15K	045923142178	24/6
<b>T9</b>														
S14229	3.5T9L/920/E26/GCAC/D	3.5	120	T9	E26	CL Amber	2000K	300	90	7.49	1.18	15K	045923142291	24/6
S14230	5.5T9L/920/E26/GCAC/D	5.5	120	T9	E26	CL Amber	2000K	500	90	7.49	1.18	15K	045923142307	24/6
<b>C11</b>														
S14218	3.5C11L/920/E12/GCAC/D	3.5	120	C11	E12	CL Amber	2000K	300	90	3.92	1.38	15K	045923142185	24/6
S14219	5.5C11L/920/E12/GCAC/D	5.5	120	C11	E12	CL Amber	2000K	500	90	3.92	1.38	15K	045923142192	24/6
S14222	3.5C11L/920/E12/GCAC/D	3.5	120	C11	E12	CL Amber	2000K	300	90	3.45	1.38	15K	045923142222	24/6
S14223	5.5C11L/920/E26/GCAC/D	5.5	120	C11	E26	CL Amber	2000K	500	90	3.45	1.38	15K	045923142239	24/6
<b>CA11</b>														
S14220	3.5CA11L/920/E12/GCAC/D	3.5	120	CA11	E12	CL Amber	2000K	300	90	4.51	1.38	15K	045923142208	24/6
S14221	5.5CA11L/920/E12/GCAC/D	5.5	120	CA11	E12	CL Amber	2000K	500	90	4.51	1.38	15K	045923142215	24/6
S14224	3.5CA11L/920/E26/GCAC/D	3.5	120	CA11	E26	CL Amber	2000K	300	90	4.18	1.38	15K	045923142246	24/6
S14225	5.5CA11L/920/E12/GCAC/D	5.5	120	CA11	E26	CL Amber	2000K	500	90	4.18	1.38	15K	045923142253	24/6
<b>A19</b>														
S14226	3.5A19L/920/E26/GCAC/D	3.5	120	A19	E26	CL Amber	2000K	300	90	4.22	2.36	15K	045923142260	24/6
S14227	5.5A19L/920/E26/GCAC/D	5.5	120	A19	E26	CL Amber	2000K	500	90	4.22	2.36	15K	045923142277	24/6
S14228	8A19L/920/E26/GCAC/D	8	120	A19	E26	CL Amber	2000K	800	90	4.22	2.36	15K	045923142284	24/6

\*See warranty for details at [www.satco.com](http://www.satco.com)

# DECORATIVE SPIRAL LED FILAMENT LAMPS

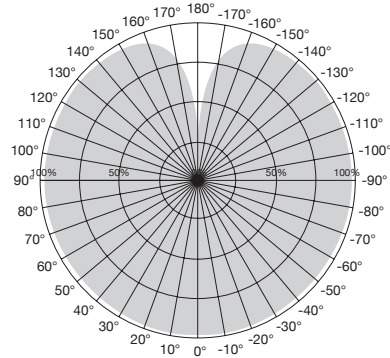


## Features:

- LED with a traditional incandescent look and feel
- Omni-directional light source
- Dimmable
- Damp location
- Approved for totally enclosed fixtures ^
- c-UL-us listed
- 3 year warranty



# DECORATIVE SPIRAL LED FILAMENT LAMPS



Beam Angle: 360°



Item	Description	W	V	Bulb Shape	Base	Finish	CCT	Lm	CRI	MOL (in.)	MOD (in.)	Life (hrs.)	UPC	Pack
<b>ST19</b>														
S9967	4.5ST19/SPIRAL/LED/AMB/120V	4.5	120	ST19	E26	TR AMB	2000K	240	80	5.25	2.38	15K	045923099670	24/6
<b>A19</b>														
S9966	4.5A19/SPIRAL/LED/AMB/120V	4.5	120	A19	E26	TR AMB	2000K	220	80	4.00	2.38	15K	045923099663	24/6
<b>G30</b>														
S9968	4.5G30/SPIRAL/LED/AMB/120V	4.5	120	G30	E26	TR AMB	2000K	240	80	5.44	3.75	15K	045923099687	24/6
<b>G40</b>														
S9969	4.5G40/SPIRAL/LED/AMB/120V	4.5	120	G40	E26	TR AMB	2000K	240	80	6.63	4.94	15K	045923099694	12/6
<b>T9</b>														
S9971	4.5T9/SPIRAL/LED/AMB/120V	4.5	120	T9	E26	TR AMB	2000K	240	80	7.19	1.13	15K	045923099717	24/6
<b>B10</b>														
S9970	2.3ETC/SPIRAL/LED/AMB/120V	2.3	120	B10	E26	TR AMB	2000K	90	80	3.50	1.38	15K	045923099700	24/6

\*See warranty for details at [www.satco.com](http://www.satco.com)

Product sheet SA1980

# LED SPIRAL FILAMENT VINTAGE-STYLE LAMPS IN HID ENVELOPES



## Features:

- Uses only 4 watts
- Impressive size & presence
- Omni-directional light source
- Perfect for pendant fixtures & hanging sockets
- Approved for totally enclosed fixtures ^
- Dimmable
- Shapes: T24, BT38, BT56 & PS52
- E26 base
- 3 year warranty



# LED SPIRAL FILAMENT VINTAGE-STYLE LAMPS IN HID ENVELOPES



S22431  
BT38



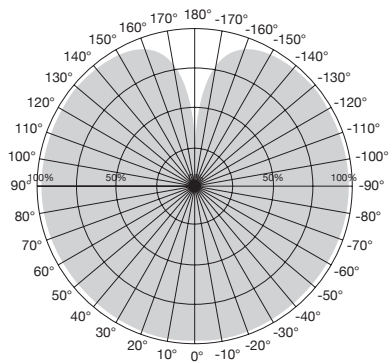
S22430  
T24



S22433  
PS52



S22432  
BT56



Beam Angle: 320°



Item	Description	W	V	Bulb Shape	Base	Finish	CCT	Lm	CRI	MOL (in.)	MOD (in.)	Life (hrs.)	UPC	Pack
S22430	4T24/LED/CL/E26/VINTAGE/120V	4	120	T24	E26	CL	2150K	200	90	13.00	3.00	25K	045923224300	12
S22431	4BT38/LED/CL/E26/VINTAGE/120V	4	120	BT38	E26	CL	2150K	200	90	16.50	4.69	25K	045923224317	12
S22432	4BT56/LED/CL/E26/VINTAGE/120V	4	120	BT56	E26	CL	2150K	200	90	13.81	7.13	25K	045923224324	6
S22433	4PS52/LED/CL/E26/VINTAGE/120V	4	120	PS52	E26	CL	2150K	200	90	11.81	6.31	25K	045923224331	6

\*See warranty for details at [www.satco.com](http://www.satco.com)

# SPECIALTY LED LAMPS



## Features:

- Non-dimmable
- Direct replacements for incandescent & specialty lamps
- LED replacements use 80% less energy
- Wet location
- Long life—25,000 hours
- 3 year warranty
- Carded packaging

## Applications:

- Sign bulbs
- Indicator
- Nightlights
- Decorative lamps





T6



C7



S11



Decorative



S11



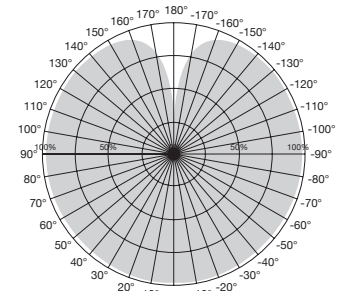
G16



A15



S14



360° Illumination



Item	Description	W	V	Bulb Shape	Base	Finish	CCT	Lm	CRI	MOL (in.)	MOD (in.)	Life (hrs.)	UPC	Pack
S9150	1.4W A15/CL/LED/120V/CD	1.4	120	A15	E26	CL	2700K	36	80	3.31	1.88	25K	045923091506	48/12
S9151	1.4W A15/WH/LED/120V/CD	1.4	120	A15	E26	CTD WH	2700K	45	80	3.31	1.94	25K	045923091513	48/12
S9152	1W CTC/LED/120V/CD	1	120	BA9 1/2	E12	CL	2700K	25	80	3.63	1.25	25K	045923091520	48/12
S9153	1W CFC/LED/120V/CD	1	120	CA8	E12	CL	2700K	25	80	3.88	1.25	25K	045923091537	48/12
S9154	1.4W ETC/LED/120V/CD	1.4	120	B11	E26	CL	2700K	36	80	3.81	1.38	25K	045923091544	48/12
S9155	1W CTD/LED/CRYSTAL/120V/CD	1	120	BA9 1/2	E12	Crystal	2700K	45	80+	3.63	1.25	25K	045923091551	48/12
S9156	0.5W C7/CL/LED/120V/CD	0.5	120	C7	E12	CL	2700K	14	80	2.13	0.84	25K	045923091568	48/12
S9157	0.5W C7/WH/LED/120V/CD	0.5	120	C7	E12	CTD WH	2700K	14	80	2.13	0.84	25K	045923091575	48/12
S9158	1.4W G16.5/CL/LED/120V/CD	1.4	120	G16 1/2	E26	CL	2700K	36	80	2.75	2.06	25K	045923091582	48/12
S9159	1.4W G16.5/WH/LED/120V/CD	1.4	120	G16 1/2	E26	CTD WH	2700K	45	80	2.81	2.06	25K	045923091599	48/12
S9160	1.2W S11/CL/LED/120V/CD	1.2	120	S11	E26	CL	2700K	32	80	2.31	1.38	25K	045923091605	48/12
S9161	1.2W S11/WH/LED/120V/CD	1.2	120	S11	E26	CTD WH	2700K	40	75	2.31	1.38	25K	045923091612	48/12
S9162	1.2W S11/BL/LED/120V/CD	1.2	120	S11	E26	CER BLUE	-	-	-	2.31	1.38	25K	045923091629	48/12
S9163	1.2W S11/GR/LED/120V/CD	1.2	120	S11	E26	CER GRN	-	-	-	2.31	1.38	25K	045923091636	48/12
S9164	1.2W S11/OR/LED/120V/CD	1.2	120	S11	E26	CER ORNG	-	-	-	2.31	1.38	25K	045923091643	48/12
S9165	1.2W S11/RED/LED/120V/CD	1.2	120	S11	E26	CER RED	-	-	-	2.31	1.38	25K	045923091650	48/12
S9166	1.2W S11/Y/LED/120V/CD	1.2	120	S11	E26	CER YLW	-	-	-	2.31	1.38	25K	045923091667	48/12
S9167	1.0W S11/CL/LED/E17/120V/CD	1	120	S11	E17	CL	2700K	28	80	2.25	1.38	25K	045923091674	48/12
S9168	1.0W S11/WH/LED/E17/120V/CD	1	120	S11	E17	CTD WH	2700K	35	80	2.25	1.38	25K	045923091681	48/12
S9169	1.4W S14/Y/LED/120V/CD	1.4	120	S14	E26	CER YLW	-	-	-	3.31	1.75	25K	045923091698	48/12
S9170	1.4W S14/RED/LED/120V/CD	1.4	120	S14	E26	CER RED	-	-	-	3.31	1.75	25K	045923091704	48/12
S9171	1.4W S14/GR/LED/120V/CD	1.4	120	S14	E26	CER GRN	-	-	-	3.31	1.75	25K	045923091711	48/12
S9172	1.4W S14/BL/LED/120V/CD	1.4	120	S14	E26	CER BLUE	-	-	-	3.31	1.75	25K	045923091728	48/12
S9173	1.4W S14/OR/LED/120V/CD	1.4	120	S14	E26	CER ORNG	-	-	-	3.31	1.75	25K	045923091735	48/12
S9174	1.4W S14/CL/LED/120V/CD	1.4	120	S14	E26	CL	2700K	36	80	3.31	1.77	25K	045923091742	48/12
S9175	1.4W S14/WH/LED/120V/CD	1.4	120	S14	E26	CTD WH	2700K	45	80	3.31	1.75	25K	045923091759	48/12
S9176	0.8W T6/FR/LED/120V/CD	0.8	120	T6	E12	CTD WH	2700K	25	80	2.06	0.75	25K	045923091766	48/12
S9177	0.8W T6/CL/LED/120V/CD	0.8	120	T6	E12	CL	2700K	20	80	2.06	0.75	25K	045923091773	48/12

# LED A-SHAPE LAMPS CCT SELECTABLE



## Features:

- Offered in 5 cct selectable options
- Dimmable and non-dimmable models available
- Standard A19 shape for a variety of applications
- 90 CRI for exceptional color rendering





- WARM WHITE - 2700K
- SOFT WHITE - 3000K
- NEUTRAL WHITE - 3500K
- COOL WHITE - 4000K
- NATURAL LIGHT - 5000K



5-CCT  
(Non-Dimmable)



5-CCT  
(Dimmable)



Item	Description	Lm	W	Replacement Wattage	CCT	Base	Life (Hrs.)	UPC	Pack
<b>Non-Dimmable - 3 CCT Selectable</b>									
SI1770R1	6A19L/9CCT5/E26/PWHF	470	6	40	2700K/3000K/3500/4000K/5000K	E26	15K	045923450495	24/6
SI1774R1	6A19L/9CCT5/E26/PWHF/4PK	800	9	60	2700K/3000K/3500/4000K/5000K	E26	15K	045923450501	12/4
SI1771R1	9A19L/9CCT5/E26/PWHF	1100	12	75	2700K/3000K/3500/4000K/5000K	E26	15K	045923450518	24/6
SI1775R1	9A19L/9CCT5/E26/PWHF/4PK	1500	14	100	2700K/3000K/3500/4000K/5000K	E26	15K	045923450525	12/4
SI1772R1	112A19L/9CCT5/E26/PWHF	470	6	40	2700K/3000K/3500/4000K/5000K	E26	15K	045923450532	24/6
SI1776R1	12A19L/9CCT5/E26/PWHF/4PK	800	9	60	2700K/3000K/3500/4000K/5000K	E26	15K	045923450549	12/4
SI1773R1	14A19L/9CCT5/E26/PWHF	1100	12	75	2700K/3000K/3500/4000K/5000K	E26	15K	045923450556	24/6
SI1777R1	14A19L/9CCT5/E26/PWHF/4PK	1500	14	100	2700K/3000K/3500/4000K/5000K	E26	15K	045923450563	12/4
<b>Dimmable- 5 CCT Selectable</b>									
<b>E26 Base</b>									
SI1790	5A19/LED/5CCT/E26/120V	450	5	40	2700K/3000K/3500K/4000K/5000K	E26	25K	045923117909	48/12
SI1791	8.8A19/LED/5CCT/E26/120V	800	8.8	60	2700K/3000K/3500K/4000K/5000K	E26	25K	045923117916	48/12
SI1792	12A19/LED/5CCT/E26/120V	1100	12	75	2700K/3000K/3500K/4000K/5000K	E26	25K	045923117923	48/12
SI1793	14A19/LED/5CCT/E26/120V	1600	14	100	2700K/3000K/3500K/4000K/5000K	E26	25K	045923117930	48/12
<b>GU24 Base</b>									
SI1794	8.8A19/LED/5CCT/GU24/120V	800	8.8	60	2700K/3000K/3500K/4000K/5000K	GU24	25K	045923117947	48/12
SI1795	12A19/LED/5CCT/GU24/120V	1100	12	75	2700K/3000K/3500K/4000K/5000K	GU24	25K	045923117954	48/12
SI1796	14A19/LED/5CCT/GU24/120V	1600	14	100	2700K/3000K/3500K/4000K/5000K	GU24	25K	045923117961	48/12

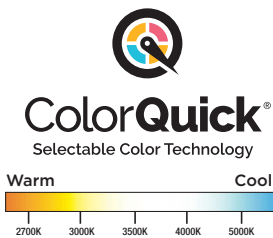
Product sheet SA3001

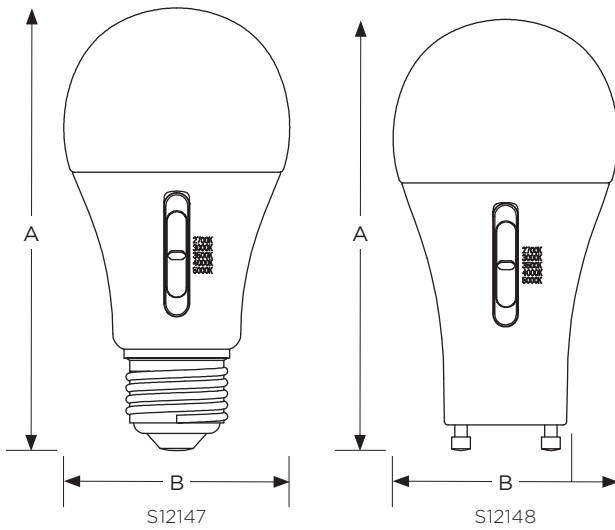
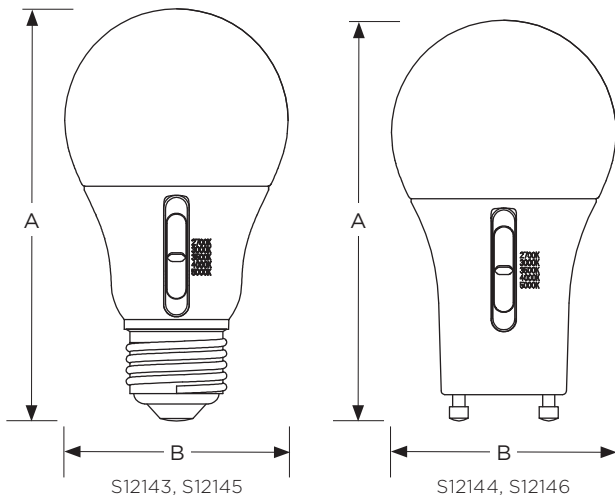
# LED A19 LAMPS T24 COMPLIANT | CCT SELECTABLE



## Features:

- Offered in 5 cct selectable options
- Dimmable down to 5%
- Standard A19 shape for a variety of applications
- 90 CRI for exceptional color rendering





### DIMENSIONS / WEIGHTS

Item	MOL (A)	MOD (B)	WEIGHT
S12143	4.33"	2.36"	0.09 Lbs.
S12144	4.21"	2.36"	0.10 Lbs.
S12145	4.33"	2.36"	0.09 Lbs.
S12146	4.21"	2.36"	0.10 Lbs.
S12147	4.65"	2.36"	0.13 Lbs.
S12148	4.53"	2.36"	0.14 Lbs.

Item	Description	Lm	W	Replacement Wattage	CCT	Base	Life (Hrs.)	UPC	Pack
S12143	9.5A19L/9CCT5/E26/PF/D	800	9.5W	60W	2700K/3000K/3500K/4000K/5000K	E26	15K	045923121432	1/6
S12144	9.5A19L/9CCT5/GU24/PF/D	800	9.5W	60W	2700K/3000K/3500K/4000K/5000K	GU24	15K	045923121449	1/6
S12145	11.5A19L/9CCT5/E26/PF/D	1100	11.5W	75W	2700K/3000K/3500K/4000K/5000K	E26	15K	045923121456	1/6
S12146	11.5A19L/9CCT5/GU24/PF/D	1100	11.5W	75W	2700K/3000K/3500K/4000K/5000K	GU24	15K	045923121463	1/6
S12147	15.5A19L/9CCT5/E26/PF/D	1600	15.5W	100W	2700K/3000K/3500K/4000K/5000K	E26	15K	045923121470	1/6
S12148	15.5A19L/9CCT5/GU24/PF/D	1600	15.5W	100W	2700K/3000K/3500K/4000K/5000K	GU24	15K	045923121487	1/6



Product sheet S1N883

# 40W REPLACEMENT LED A15 LAMPS

## Features:

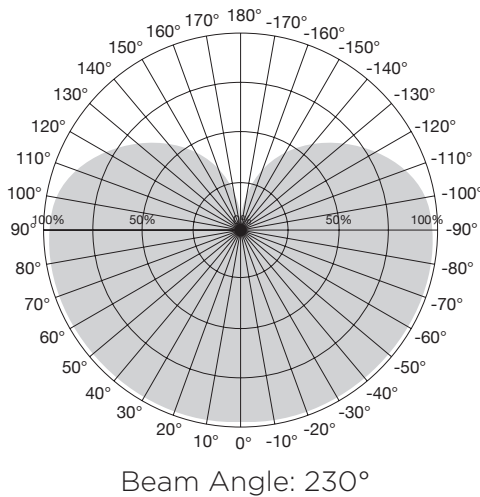
- Direct replacement for 40 watt A15 incandescent lamps
- Indoor residential and commercial lighting
- Dimmable
- 2700K, 3000K, 4000K and 5000K options
- Damp location rated
- Approved for totally enclosed fixtures ^
- Long life—25,000 hours
- 5 year warranty



E17 Base



E26 Base



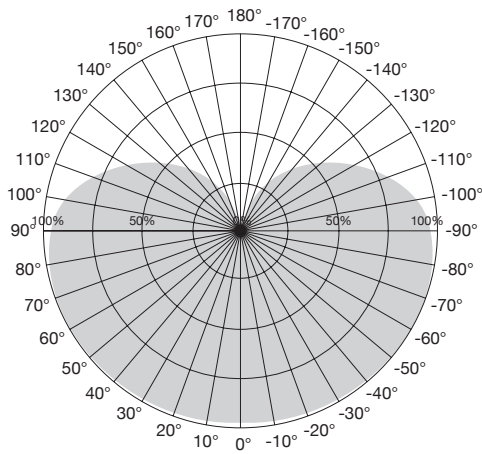
Item	Description	W	V	Bulb Shape	Base	Finish	CCT	Lm	CRI	MOL (in.)	MOD (in.)	Life (hrs.)	UPC	Pack
<b>90 CRI—CEC/T20</b>														
S8572	5A15/LED/2700K/120V	5	120	A15	E26	FR	2700K	450	90	3.48	1.89	25K	045923085727	24/6
S8573	5A15/LED/3000K/120V	5	120	A15	E26	FR	3000K	450	90	3.48	1.89	25K	045923085734	24/6

^ For minimum compartment size of enclosed fixture visit [www.satco.com](http://www.satco.com)

# 40W REPLACEMENT LED A19 LAMPS

## Features:

- Direct replacement for 40 watt incandescent lamps or 9 watt CFL, uses only 5.8 watts
- Residential and commercial lighting
- 2700K, 3000K, 4000K & 5000K options
- Damp location
- 10,000 to 25,000 hours
- Dimmable & non-dimmable
- Approved for enclosed fixtures<sup>^</sup>
- 3-5 year warranty



Beam Angle: 220°



Item	Description	W	V	Bulb Shape	Base	Finish	CCT	Lm	CRI	MOL (in.)	MOD (in.)	Life (hrs.)	UPC	Pack
<b>90 CRI - CEC/T20 - Dimmable<sup>^</sup></b>														
S11320	5.5A19/LED/927/120V/D	5.5	120	A19	E26	FR	2700K	450	90	4.33	2.36	25K	045923113208	24/6
S11321	5.5A19/LED/930/120V/D	5.5	120	A19	E26	FR	3000K	450	90	4.33	2.36	25K	045923113215	24/6
<b>90 CRI - CEC/T20 - Non-Dimmable<sup>^</sup></b>														
S28557	5.5A19/LED/927/120V/ND/4PK	5.5	120	A19	E26	FR	2700K	450	90	4.33	2.36	15K	045923285578	12-4pks
S28558	5.5A19/LED/930/120V/ND/4PK	5.5	120	A19	E26	FR	3000K	450	90	4.33	2.36	15K	045923285585	12-4pks
S28593	5.5A19/LED/940/120V/ND/4PK	5.5	120	A19	E26	FR	4000K	450	90	4.33	2.36	15K	045923285936	12-4pks
S28594	5.5A19/LED/950/120V/ND/4PK	5.5	120	A19	E26	FR	5000K	450	90	4.33	2.36	15K	045923285943	12-4pks

4-packs must be ordered in full cases only. <sup>^</sup>See warranty for details at [www.satco.com](http://www.satco.com)

Product sheet SA2648

# 60W REPLACEMENT LED A19 LAMPS



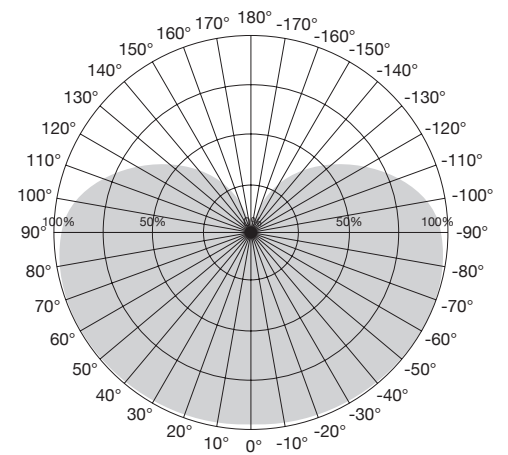
## Features:

- Indoor residential and commercial lighting
- Innovative design—smooth heat sink design to resemble traditional incandescent lamp
- 2700K, 3000K, 3500K, 4000K & 5000K options
- Damp location
- Dimmable and non-dimmable options
- Approved for totally enclosed fixtures\*
- E26 & GU24 base options
- CEC/T20 compliant options available
- Long life—up to 25,000 hours
- 3 year warranty—10,000-15,000 hours
- 5 year warranty—25,000 hours





S9703



Beam Angle: 220°



S9707



Item	Description	W	V	Bulb Shape	Base	Finish	CCT	Lm	CRI	MOL (in.)	MOD (in.)	Life (hrs.)	UPC	Pack
<b>90 CRI</b>														
S9703	10A19/OMNI/LED/27K/90CRI	10	120	A19	E26	FR	2700K	800	90	4.33	2.36	25K	045923097034	24/6
S9704	10A19/OMNI/LED/3K/90CRI	10	120	A19	E26	FR	3000K	800	90	4.33	2.36	25K	045923097041	24/6
S9709	10A19/LED/35K/90CRI	10	120	A19	E26	FR	3500K	800	90	4.33	2.36	25K	045923097096	24/6
S8480	10A19/LED/4K/90CRI	10	120	A19	E26	FR	4000K	800	90	4.33	2.36	25K	045923084805	24/6
S8481	10A19/LED/5K/90CRI	10	120	A19	E26	FR	5000K	800	90	4.33	2.36	25K	045923084812	24/6
S9707	10A19/OMNI/LED/27K/90CRI/GU24	10	120	A19	GU24	FR	2700K	800	90	4.33	2.36	25K	045923097072	24/6
S9708	10A19/OMNI/LED/3K/90CRI/GU24	10	120	A19	GU24	FR	3000K	800	90	4.33	2.36	25K	045923097089	24/6
S8482	10A19/LED/4K/90CRI/GU24	10	120	A19	GU24	FR	4000K	800	90	4.33	2.36	25K	045923084829	24/6

^See warranty for details at [www.satco.com](http://www.satco.com)

# LOW VOLTAGE 12-34V LED A19 LAMPS

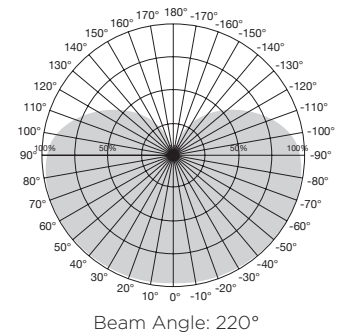


## Features:

- 60 watt incandescent replacement, uses only 9.2 watts
- High efficiency—reduces drain on battery
- AC 12-24V
- DC 12-34V
- 800 lumens
- Long life—25,000 hours
- 5 year warranty

## Applications:

- RVs and campers
- Marine applications



**DAMP  
LOCATION**

**800  
LUMENS**

**25,000  
HOURS**

Item	Description	W	V	Bulb Shape	Base	Finish	CCT	Lm	CRI	MOL (in.)	MOD (in.)	Life (hrs.)	UPC	Pack
S12170	9.2A19/LED/12-34VDC/827/ND	9.2	12V-34V	A19	E26	FR	2700K	800	80	4.33	2.36	25K	045923265112	24/6
S12171	9.2A19/LED/12-34VDC/850/ND	9.2	12V-34V	A19	E26	FR	5000K	800	80	4.33	2.36	25K	045923265129	24/6

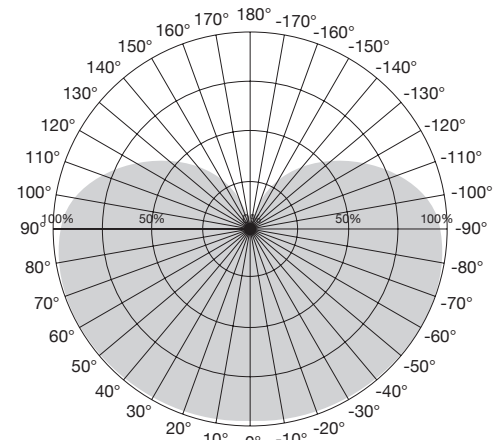
^ See warranty for details at [www.satco.com](http://www.satco.com)

Product sheet SA2806

# 60W REPLACEMENT LED A19 2 PACKS & 4-PACKS

## Features:

- Direct replacement for 60 watt replacement incandescent lamps and for 13 wall screw-in CFLs, uses only 9.5-10 Watts
- Indoor residential and commercial lighting
- 2700K, 3000K, 4000K and 5000K options
- Damp location
- Approved for totally enclosed fixtures ^
- Long life—up to 15,000 hours
- 3 year warranty



Beam Angle: 220°



Item	Description	W	V	Bulb Shape	Base	Finish	CCT	Lm	CRI	MOL (in.)	MOD (in.)	Life (hrs.)	UPC	Pack
<b>90 CRI—CEC/T20 4 Packs - Non-Dimmable</b>														
S28560	10A19/LED/927/120V/ND/4PK	10	120	A19	E26	FR	2700K	800	90	4.33	2.36	15K	045923285608	12-4pks
S28561	10A19/LED/930/120V/ND/4PK	10	120	A19	E26	FR	3000K	800	90	4.33	2.36	15K	045923285615	12-4pks
S28562	10A19/LED/940/120V/ND/4PK	10	120	A19	E26	FR	4000K	800	90	4.33	2.36	15K	045923285622	12-4pks
S28563	10A19/LED/950/120V/ND/4PK	10	120	A19	E26	FR	5000K	800	90	4.33	2.36	15K	045923285639	12-4pks

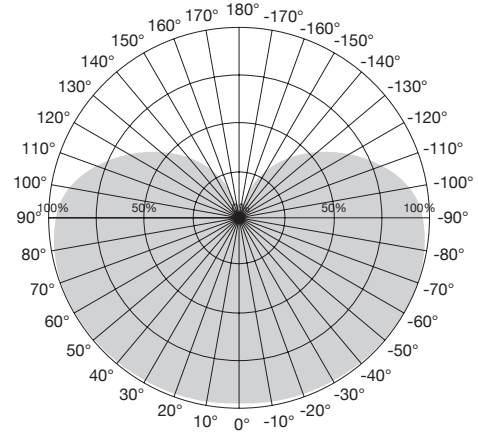
Must be ordered in full cases only. \*See warranty for details at [www.satco.com](http://www.satco.com). \*Beam Angle 230°

Product sheet SA2659

# 60W REPLACEMENT LED A19 10 PACKS

## Features:

- Direct replacements for 60W incandescent lamps uses only 9 Watts
- Value-packed for retail or contractor sales
- Direct replacement for 13 watt screw-in CFLs
- Indoor residential and commercial lighting
- 3000K, and 5000K options
- Damp location
- Approved for totally enclosed fixtures ^
- Long life—10,000 hours
- Non-dimmable
- 3 year warranty



Beam Angle: 220°



Item	Description	W	V	Bulb Shape	Base	Finish	CCT	Lm	CRI	MOL (in.)	MOD (in.)	Life (hrs.)	UPC	Pack
<b>90 CRI—CEC/T20▲</b>														
S11410	9.5A19/LED/930/120V/10PK	9.5	120	A19	E26	FR	3000K	760	90	4.41	2.38	10K	045923114106	4-10pks
S11411	9.5A19/LED/950/120V/10PK	9.5	120	A19	E26	FR	5000K	760	90	4.41	2.38	10K	045923114113	4-10pks

Master Cases 4/10 Pks ^For minimum compartment size of enclosed fixture visit [www.satco.com](http://www.satco.com)

# LED A19 COLORS

## Features:

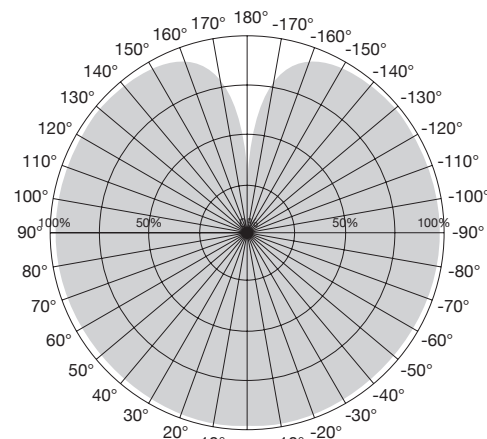
- Direct replacement for 60 watt incandescent lamps, uses only 8 watts
- Indoor residential and commercial lighting
- Party bulbs
- Display lighting
- Accent lighting
- Ceramic-lined glass envelopes
- 360° beam angle
- Damp location
- Approved for totally enclosed fixtures\*
- Long life-15,000 hours
- 3 year warranty



Colors for a reason  
 Blue—in support of law enforcement/Autism awareness  
 Green—in support of veterans  
 Yellow—bug lights  
 Pink—Breast cancer awareness



S14990  
Blacklight



Beam Angle: 360°



Item	Description	W	V	Bulb Shape	Base	Finish	MOL (in.)	MOD (in.)	Life (hrs.)	UPC	Pack
S14984	8A19/RED/LED/E26/120V	8	120	A19	E26	CER RED	4.13	2.38	15K	045923149849	24/6
S14985	8A19/BLUE/LED/E26/120V	8	120	A19	E26	CER BLUE	4.13	2.38	15K	045923149856	24/6
S14986	8A19/GREEN/LED/E26/120V	8	120	A19	E26	CER GRN	4.13	2.38	15K	045923149863	24/6
S14987	8A19/YELLOW/LED/E26/120V	8	120	A19	E26	CER YLW	4.13	2.38	15K	045923149870	24/6
S14988	8A19/ORANGE/LED/E26/120V	8	120	A19	E26	CER ORNG	4.13	2.38	15K	045923149887	24/6
S14989	8A19/PINK/LED/E26/120V	8	120	A19	E26	CER PINK	4.13	2.38	15K	045923149894	24/6
S14990*	6.5A19/BL/LED/E26/120V	6.5	120	A19	E26	BLACK	4.17	2.36	15K	045923149900	24/6

\*For minimum compartment size of enclosed fixture visit [www.satco.com](http://www.satco.com). \*Not dimmable.

Product sheet SA2482

# LED A19 DUSK TO DAWN LAMPS

**ON AT DUSK,  
OFF AT DAWN**

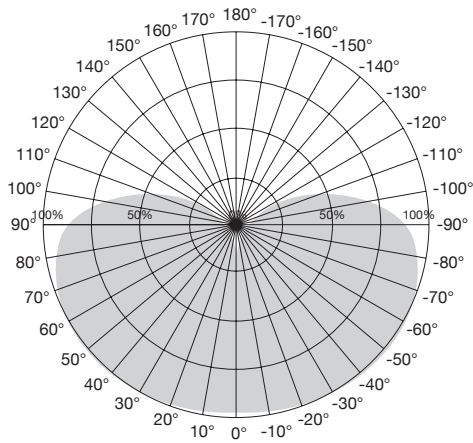
## Features:

- Direct replacement for 60 watt incandescent lamp uses only 6.5 or 8 watts
- Non-dimmable
- Indoor/outdoor residential and commercial lighting
- Automatic operation -no timers to set
- Internal sensor works in any direction
- Damp location
- Long life - up to 15,000 hours

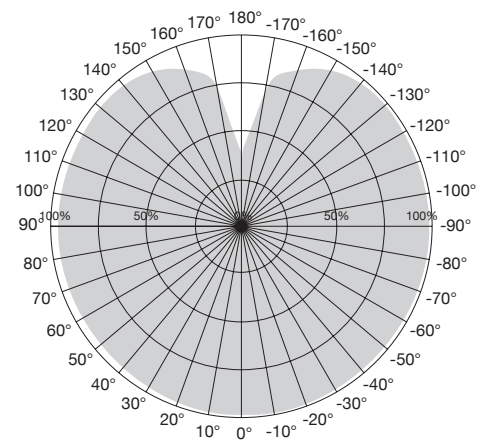




S11427  
S11429



Beam Angle: 200° (White)



Beam Angle: 320°



Item	Lamp Description	Finish	W	V	CRI	CCT	Lm	Life/ Hrs.	UPC	Pack
S11429*	8A19/DUSK/DAWN/LED/27K	WH	8.5	120	90	2700K	800	15K	045923114295	24/6
S11427*	8A19/DUSK/DAWN/LED/50K	WH	8.5	120	90	5000K	800	15K	045923114274	24/6

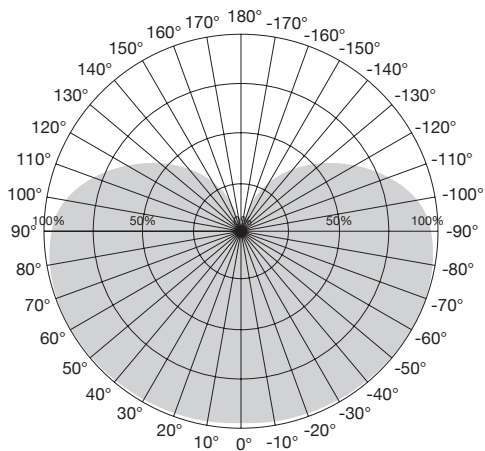
Not compatible with external photo sensors, motion sensors or timers  
 \*See warranty for details at [www.satco.com](http://www.satco.com)

Product sheet SA2667

# 75W REPLACEMENT LED A19 LAMPS

## Features:

- Direct replacement for 75 watt incandescent lamps, uses only 10-11.5 watts
- Indoor residential and commercial lighting
- Damp location
- Approved for totally enclosed fixtures- E26 & GU24 base options
- Dimmable and non-dimmable options
- CEC/T20 compliant options available
- 3 year warranty—15,000 hours
- 5 year warranty—25,000 hours



\*Beam Angle: 220°



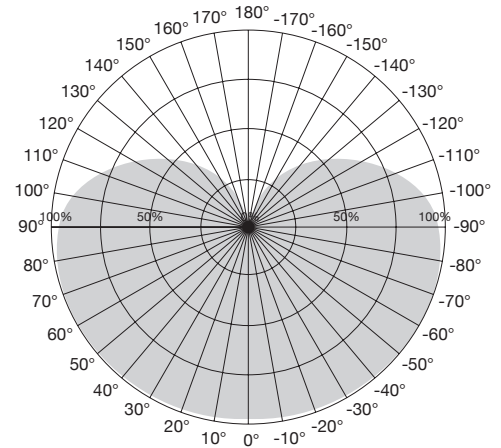
Item	Description	W	V	Bulb Shape	Base	Finish	CCT	Lm	CRI	MOL (in.)	MOD (in.)	Life (hrs.)	UPC	Pack
<b>Dimmable</b>														
<b>90 CRI—CEC/T20▲</b>														
S28650†■	11.5A19LED/927/120V	11.5	120	A19	E26	FR	2700K	1100	90	4.33	2.36	25K	045923286506	24/6
S28483†	11.5A19LED/940/120V	11.5	120	A19	E26	FR	4000K	1100	90	4.33	2.36	25K	045923284830	24/6
S28484†	11.5A19LED/950/120V	11.5	120	A19	E26	FR	5000K	1100	90	4.33	2.36	25K	045923284847	24/6
S21323†■	11.5A19LED/927/120V/2PK	11.5	120	A19	E26	FR	2700K	1100	90	4.33	2.36	25K	045923200069	12-2pks
S21324†■	11.5A19LED/927/GU24/120V	11.5	120	A19	GU24	FR	2700K	1100	90	4.33	2.36	25K	045923200076	24/6
S21325†■	11.5A19LED/930/GU24/120V	11.5	120	A19	GU24	FR	3000K	1100	90	4.33	2.36	25K	045923200083	24/6
S28485†■	11.5A19LED/940/GU24/120V	11.5	120	A19	GU24	FR	4000K	1100	90	4.33	2.36	25K	045923284854	24/6

†For minimum compartment size of enclosed fixture visit [www.satco.com](http://www.satco.com). \*Beam Angle 200°

# 75W REPLACEMENT LED A19 4-PACKS

## Features:

- Direct replacement for 75 watt incandescent lamps, uses only 11.5-12.5 watts
- Indoor residential and commercial lighting
- Direct replacement for 18 watt screw-in CFLs
- 2700K, 3000K, 4000K and 5000K options
- Damp location
- Approved for totally enclosed fixtures
- Long life—up to 15,000 hours
- 3 year warranty



Beam Angle: 220°



Item	Description	W	V	Bulb Shape	Base	Finish	CCT	Lm	CRI	MOL (in.)	MOD (in.)	Life (hrs.)	UPC	Pack
<b>4 Packs   90 CRI—CEC/T20▲</b>														
S8564	12.5A19/LED/27K/ND/120V/4PK	12.5	120	A19	E26	FR	2700K	1050	90	4.38	2.38	15K	045923085642	12-4pks
S8499	12.5A19/LED/30K/ND/120V/4PK	12.5	120	A19	E26	FR	3000K	1050	90	4.38	2.38	10K	045923084997	12-4pks
S8489	12.5A19/LED/40K/ND/120V/4PK	12.5	120	A19	E26	FR	4000K	1050	90	4.38	2.38	10K	045923084898	12-4pks
S8565	12.5A19/LED/50K/ND/120V/4PK	12.5	120	A19	E26	FR	5000K	1050	90	4.38	2.38	15K	045923085659	12-4pks

Must be ordered in full cases only. \*For minimum compartment size of enclosed fixture visit [www.satco.com](http://www.satco.com). \*Beam Angle 230°

Product sheet SA2152

# LED A19 MOTION SENSOR LAMPS



## Features:

- Motion activated sensor
- Sensor has a 90° viewing angle and 26' range
- Works with standard fixtures
- Light activates for 5 minutes when motion is detected
- Dusk to Dawn operation
- Dual mode capable with motion sensor or always-on



# LED A19 MOTION SENSOR LAMPS



Item	Description	W	V	Bulb Shape	Base	Finish	CCT	Lm	CRI	MOL (in.)	MOD (in.)	Life (hrs.)	UPC	Pack
S11445	12A19/PIR/930/120V/ND	12	120	A19	E26	FR	3000K	1050L	90	5.11	2.36	15K	045923114458	24/6
S11446	12A19/PIR/950/120V/ND	12	120	A19	E26	FR	5000K	1050L	90	5.11	2.36	15K	045923114465	24/6

Product sheet SA2963

# 100W REPLACEMENT LED A19

## Features:

Direct replacement for 100 watt incandescent lamps, uses only 15-16.5 watts

Indoor residential and commercial lighting

Damp location

Dimmable and non-dimmable options

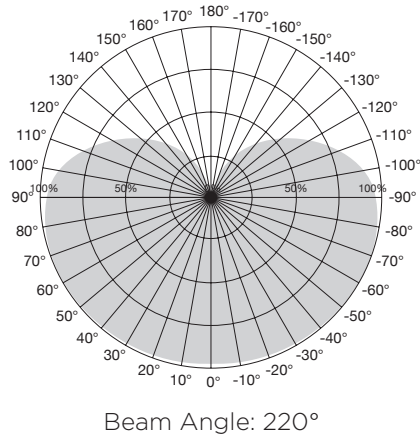
Approved for totally enclosed fixtures ^

CEC/T20 compliant options available

Long life—up to 25,000 hours

3 year warranty—15,000 hours

5 year warranty—25,000 hours



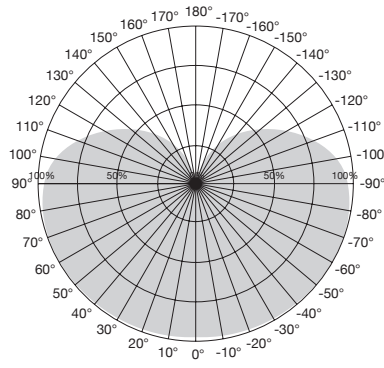
Item	Description	W	V	Bulb Shape	Base	Finish	CCT	Lm	CRI	MOL (in.)	MOD (in.)	Life (hrs.)	UPC	Pack
<b>90 CRI—CEC/T20^</b>														
S28652**	16.5A19LED/927/120V	16.5	120	A19	E26	FR	2700K	1600	90	4.65	2.36	25K	045923286520	24/6
S28653**	16.5A19LED/930/120V	16.5	120	A19	E26	FR	3000K	1600	90	4.65	2.36	25K	045923286537	24/6
S28486**	16.5A19LED/940/120V	16.5	120	A19	E26	FR	4000K	1600	90	4.65	2.36	25K	045923284861	24/6
S28487*	16.5A19LED/950/120V	16.5	120	A19	E26	FR	5000K	1600	90	4.65	2.36	25K	045923200106	24/6
S21327**	16.5A19LED/927/GU24/120V	16.5	120	A19	GU24	FR	2700K	1600	90	4.53	2.36	25K	045923213274	24/6
S21328**	16.5A19LED/930/GU24/120V	16.5	120	A19	GU24	FR	3000K	1600	90	4.53	2.36	25K	045923213281	24/6
S28488**	16.5A19LED/940/GU24/120V	16.5	120	A19	GU24	FR	4000K	1600	90	4.53	2.36	25K	045923284885	24/6

\*For minimum compartment size of enclosed fixture visit [www.satco.com](http://www.satco.com)

# 100W REPLACEMENT LED A19 4-PACKS

## Features:

- Direct replacements for 100 watt incandescent lamps uses only 15.5 watts
- Indoor residential and commercial lighting
- Direct replacement for 13, 18 & 23W screw-in CFLs
- 2700K to 5000K options
- Damp location
- Approved for totally enclosed fixtures<sup>^</sup>
- Long life—up to 15,000 hours
- 3 year warranty



Beam Angle: 220°-230°



Item	Description	W	V	Bulb Shape	Base	Finish	CCT	Lm	CRI	MOL (in.)	MOD (in.)	Life (hrs.)	UPC	Pack
<b>90 CRI—CEC/T20 - Non-Dimmable<sup>^</sup></b>														
S8566*	15.5A19/LED/27K/ND/120V/4PK	15.5	120	A19	E26	FR	2700K	1490	90	4.63	2.38	15K	045923085666	12-4pks
S8567*	15.5A19/LED/30K/ND/120V/4PK	15.5	120	A19	E26	FR	3000K	1490	90	4.63	2.38	15K	045923085673	12-4pks
S8490*	15.5A19/LED/40K/ND/120V/4PK	15.5	120	A19	E26	FR	4000K	1490	90	4.63	2.38	15K	045923084904	12-4pks
S8568*	15.5A19/LED/50K/ND/120V/4PK	15.5	120	A19	E26	FR	5000K	1490	90	4.63	2.38	15K	045923085680	12-4pks

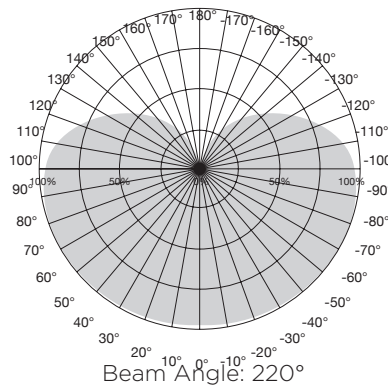
Must be ordered in full cases only. <sup>^</sup>See warranty for details at [www.satco.com](http://www.satco.com)

Product sheets SA2330, SA2400, SA2180-3

# 3-WAY LED A19 & A21 LAMPS

## Features:

- Direct replacement for 30/70/100W 3-Way incandescent lamps, uses only 3/9/12 watts
- Direct replacement for 50/100/150W 3-Way incandescent lamps uses only 5/14/21 watts
- Indoor residential & commercial lighting
- 220° omni-directional
- 2700K, 3000K, 4000K and 5000K options
- Damp location rated
- Approved for totally enclosed fixtures<sup>^</sup>
- Long life—25,000 hours
- 5 year warranty



Beam Angle: 220°



Item	Description	W	V	Bulb Shape	Base	Finish	CCT	Lm	CRI	MOL (in.)	MOD (in.)	Life (hrs.)	UPC	Pack
<b>90 CRI—CEC/T20<sup>▲</sup></b>														
S8570	3/9/12A19/3WAY LED/2700K/90CRI	3/9/12	120	A19	E26	FR	2700K	230/850/1050	90	4.66	2.38	25K	045923085703	24/6
S8571	3/9/12A19/3WAY LED/3000K/90CRI	3/9/12	120	A19	E26	FR	3000K	230/850/1050	90	4.65	2.36	25K	045923085710	24/6
<b>50/100/150W 3-Way</b>														
S11515	5/14/20A21/3-WAY/LED/27K	5/14/20	120	A21	E26d	FR	2700K	600L/1600L/2150L	90	5.551	2.638	25K	045923115158	24/6
S11516	5/14/20A21/3-WAY/LED/30K	5/14/20	120	A21	E26d	FR	3000K	600L/1600L/2150L	90	5.551	2.638	25K	045923115165	24/6
S11517	5/14/20A21/3-WAY/LED/40K	5/14/20	120	A21	E26d	FR	4000K	600L/1600L/2150L	90	5.551	2.638	25K	045923115172	24/6
S11518	5/14/20A21/3-WAY/LED/50K	5/14/20	120	A21	E26d	FR	5000K	600L/1600L/2150L	90	5.551	2.638	25K	045923115189	24/6

<sup>▲</sup>For minimum compartment size of enclosed fixture visit [www.satco.com](http://www.satco.com)

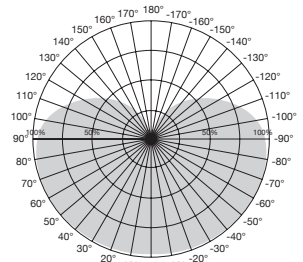
Product sheet SN1710

# 125W REPLACEMENT 120-277V LED A21 LAMPS



## Features:

- Direct replacement for 125 watt incandescent & 25 watt CFL lamps, uses only 20 watts
- Indoor residential and commercial lighting
- Down lighting
- CEC/T20 compliant
- 2700K, 3000K, 4000K and 5000K options
- Damp location
- Approved for totally enclosed fixtures ^
- c-UL-us listed long life—25,000 hours
- 5 year warranty



Beam Angle: 220°



Item	Description	W	V	Bulb Shape	Base	Finish	CCT	Lm	CRI	MOL (in.)	MOD (in.)	Life (hrs.)	UPC	Pack
<b>Non-Dimmable</b>														
S11329	20A21/LED/927/120-277V/ND	20	120V-277	A21	E26	FR	2700K	2000	90	5.55	2.63	25K	045923113291	24/6
S11330	20A21/LED/930/120-277V/ND	20	120V-277	A21	E26	FR	3000K	2000	90	5.55	2.63	25K	045923113307	24/6
S11331	20A21/LED/940/120-277V/ND	20	120V-277	A21	E26	FR	4000K	2000	90	5.55	2.63	25K	045923113314	24/6
S11332	20A21/LED/950/120-277V/ND	20	120V-277	A21	E26	FR	5000K	2000	90	5.55	2.63	25K	045923113321	24/6

^For minimum compartment size of enclosed fixture visit [www.satco.com](http://www.satco.com)

# HI-PRO A21 LAMPS



**Features:**

- CCT selectable
- Range voltage 120-277
- Ballast bypass Type B
- Integrated fins for excellent heat dissipation



Choose from 2700K/4000K/5000K color temperatures



**ColorQuick**<sup>®</sup>  
Selectable Color Technology



Item	Description	W	V	Bulb Shape	Base	Finish	CCT	Lm	CRI	MOL (in.)	MOD (in.)	Life (hrs.)	UPC	Pack
S28735*	15WA21/LED/3CCT/120-277V	15	120-277	A21	E26	WH	2700K/4000K/5000K	1920/2025/1950	90	5.08	2.46	50K	045923287350	24/12
S28737	20WA21/LED/3CCT/120-277V	20	120-277	A21	E26	WH	2700K/4000K/5000K	2760/3020/2860	80	5.08	2.46	50K	045923287374	24/12

Product sheet SNI582

# CCT AND WATTAGE SELECTABLE HI-PRO LED A-PLUS LAMPS

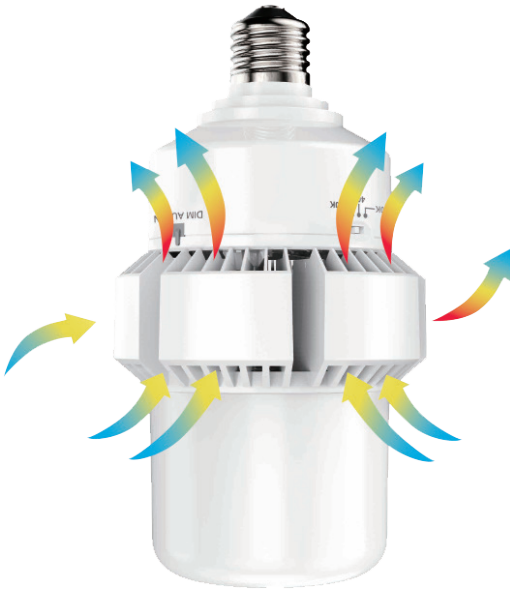


## Features:

- 3000K, 4000K, 5000K selectable
- Wattage selectable / high & low
- 135 lumens per watt
- Reduced envelope size
- Enclosed fixture rated\*
- Damp location
- Built in surge protection
- 50,000 hours



# FIELD SELECTABLE HI-PRO LED A-PLUS LAMPS



Advanced heat sink design ensures long lifespan, less maintenance.



**ColorQuick™**  
Selectable Color Technology

Color temperature selection switch

4000K  
3000K —|— 5000K  
Color Temperature

Switch to/from the following CCT



**PowerQuick™**

Wattage Selectable

Wattage selection switch

High

Low

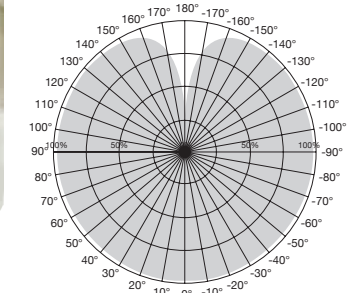


Item	Description	W	V	Base Type	CCT Selectable	Lumens @ 5K	Lumens @ 50% Pwr	CRI	Life/ Hrs.	M.O.L. (In.)	UPC	Pack
S13160	20W/AP23/LED/CCT/100-277V/E26	20	100-277	E26	3000/4000/5000	2600	N/A	80	50K	5.12	045923131608	24
S13161	25W/AP23/LED/CCT/100-277V/E26	25	100-277	E26	3000/4000/5000	3250	N/A	80	50K	5.12	045923131615	24
S13162	35W/AP28/LED/CCT/100-277V/E26	35/17	100-277	E26	3000/4000/5000	4550	2380	80	50K	6.26	045923131622	12
S13163**	35W/AP28/LED/CCT/100-277V/EX39	35/17	100-277	EX39	3000/4000/5000	4550	2380	80	50K	6.54	045923131639	12
S13164	45W/AP32/LED/CCT/100-277V/E26	45/22	100-277	E26	3000/4000/5000	5850	3060	80	50K	7.05	045923131646	12
S13165**	45W/AP32/LED/CCT/100-277V/EX39	45/22	100-277	EX39	3000/4000/5000	5850	3060	80	50K	7.32	045923131653	12
S13166	65W/AP37/LED/CCT/100-277V/E26	65/32	100-277	E26	3000/4000/5000	8450	4420	80	50K	7.76	045923131660	12
S13167**	65W/AP37/LED/CCT/100-277V/EX39	65/32	100-277	EX39	3000/4000/5000	8450	4420	80	50K	8.03	045923131677	12

\*For minimum compartment size of enclosed fixture visit [www.satco.com](http://www.satco.com)

Product sheet SA2878

# LED T10 HIGH LUMEN LAMPS



Beam Angle: 360°

## Features:

- High lumen output
- Generates less heat than halogen
- 3000 & 4000K
- c-ETL-us Listed
- 3 year warranty

## Applications

- Replaces halogen T10 double envelope
- Picture lights
- Sconces
- Showcase displays
- Ceiling fixtures



Item	Description	W	V	Bulb Shape	Base	Finish	CCT	Lm	CRI	MOL (in.)	MOD (in.)	Life (hrs.)	UPC	Pack
<b>60 Watt Replacement</b>														
<b>Dimmable</b>														
S11224+	8T10/LED/HL/930/FR/DIM/CD	8	120	T10	E26	FR	3000K	860	90	4.02	1.26	15K	045923112249	24/12
S11225+	8T10/LED/HL/940/FR/DIM/CD	8	120	T10	E26	FR	4000K	900	90	4.02	1.26	15K	045923112256	24/12

Not for use in wet or damp locations.

Product sheet SA2734

# DECORATIVE LED LAMPS

## Features:

- 25W candle replacement uses only 2.8W
- 40W candle replacement uses only up to 4.5W
- Dimmable
- Damp location
- Long life—25,000 hours
- Approved for totally enclosed fixtures\*
- 5 Year warranty

## Applications:

- Accent lighting
- Pendant lighting



CTC



ETC



G25



Item	Description	W	V	Bulb Shape	Base	Finish	CCT	Lm	CRI	Beam	MOL (in.)	MOD (in.)	Life (hrs.)	UPC	Pack
<b>90 CRI—CEC/T20</b>															
<b>Globes</b>															
S29618**	3.5CTC/LED/927/E12/120V	3.5	120	B11	E12	CL	2700K	300	90	275°	3.78	1.38	25K	045923296185	48/12
S28574**	3.5CTC/LED/930/E12/120V	3.5	120	B11	E12	CL	3000K	300	90	275°	3.78	1.38	25K	045923285745	48/12
S28617**	3.5ETC/LED/927/E26/120V	3.5	120	B11	E26	CL	2700K	300	90	290°	3.78	1.38	25K	045923286179	48/12
S28575**	3.5ETC/LED/930/E26/120V	3.5	120	B11	E26	CL	3000K	300	90	275°	3.78	1.38	25K	045923285752	48/12
<b>Decorative B11</b>															
S29619**	4G25/LED/927/120V	4	120	G25	E26	WH	2700K	360	90	170°	4.25	3.15	25K	045923296192	24/6
S28576*	4G25/LED/930/120V	4	120	G25	E26	WH	3000K	360	90	170°	4.25	3.15	25K	045923285769	24/6
S28618**	4G25/LED/940/120V	4	120	G25	E26	WH	4000K	360	90	170°	4.25	3.15	25K	045923286186	24/6
S28595*	4G25/LED/950/120V	4	120	G25	E26	WH	5000K	360	90	170°	4.25	3.15	25K	045923285950	24/6

\*For minimum compartment size of enclosed fixture visit [www.satco.com](http://www.satco.com)

Product sheet SA1370

# LED APPLIANCE LAMPS



## Features:

- Available with E26 or E27 base
- Outstanding color rendering
- Ideal for use in refrigerators



# LED APPLIANCE LAMPS



E26 & E27 BASES



Item	Description	W	V	Bulb Shape	Base	Finish	CCT	Lm	CRI	Beam	MOL (in.)	MOD (in.)	Life (hrs.)	UPC	Pack
S11200	3.5T14/CL/930/120-240V/E26/CD	3.5	120-240	T14	E26	CL	3000K	420	90+	360°	2.36	1.06	25K	045923100680	48/12
S11201	3.5T14/CL/930/120-240V/E27/CD	3.5	120-240	T14	E27	CL	3000K	420	90+	360°	2.48	1.06	25K	045923100697	48/12

Product sheet SN1755

# LED 2W-2.5W FLAME LAMPS DECORATIVE FLAME EFFECT



## Features:

- Realistic flame mode effect in base up or base down position
- Continuous light mode capable
- Safe alternative to open flames

## Applications:

- Indoor
- Covered Outdoors
- Restaurants, Hotels, Bars,
- Places of Worship,
- Patios, Garden

S29807



S29806



Watch to Learn More!



Item	Description	W	V	Bulb Shape	Base	CCT	Lumens	MOL (in.)	MOD (in.)	Life/Hrs.	UPC	Pack
S29806	2.5/LED/T19/FLAME/816/120V/E26	2.5W	120V	T19	E26	1600K	150L	4.9	2.24	10,000	045923298066	24
S29807	2/LED/B11/FLAME/814/120V/E12	2W	120V	B11	E12	1400K	60L	4.5	1.4	10,000	045923298073	24

Product sheet SA2470

# FULL SPECTRUM LED GROW LIGHTS

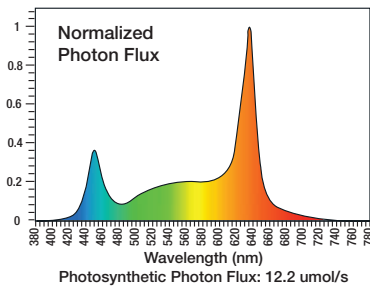


## Features:

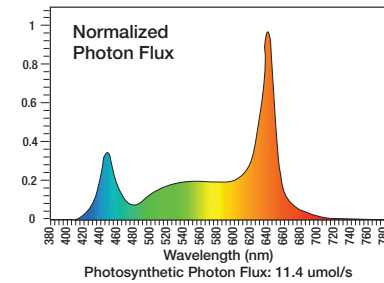
- Standard A19, BR30 AND PAR38 lamp shapes with E26 base
- Red spectrum fortified for increased budding and flowering
- Wet location rated
- 3 year warranty



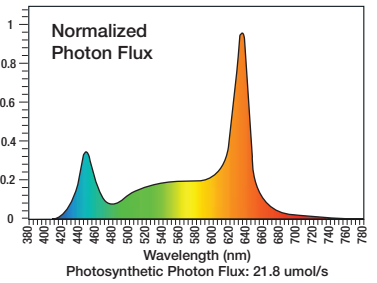
LED 9W A19 GROW LIGHT



LED 9W BR30 GROW LIGHT



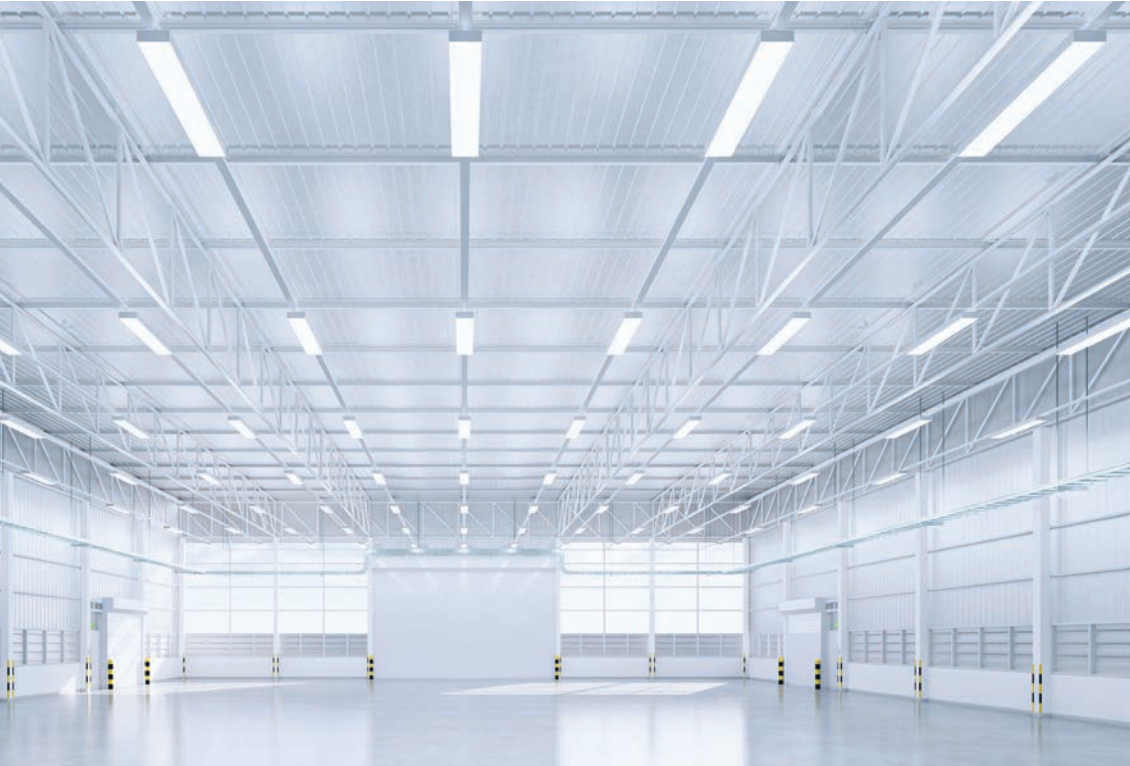
LED 16W PAR38 GROW LIGHT



Item	Description	W	V	Bulb Shape	Base	CRI	MOL (in.)	MOD (in.)	Life (hrs.)	UPC	Pack
S11440	9A19/LED/GROW/120V	9	120	A19	E26	80	4.41	2.36	15K	045923114403	48/12
S11441	9BR30/LED/GROW/120V	9	120	BR30	E26	80	5.12	3.70	25K	045923114410	12
S11442	16PAR38/LED/GROW/120V	16	120	PAR38	E26	80	5.00	4.72	25K	045923114427	12

Product sheet SA2470

# LED LINEAR T10 LAMPS



## Features:

Energy efficient alternative to traditional 35W, 60W and 150W T10 linear incandescent lamps use only 5W, 7W and 13W

Direct replacements for LN35, LN60 and LN150 lamps

Full PC material (bulb opaque)

Simple installation—no ballasts or transformers required

S14S base

Dimmable

2700K

Long life—30,000 hours

5 year warranty



Item	Description	W	V	Bulb Shape	Base	Finish	CCT	Lm	CRI	MOL (in.)	MOD (in.)	Life (hrs.)	UPC	Pack
S8191	LED LN35 2700K 11.8" DIM	5	120	T10	S14S	FR	2700K	330	80	11.81	1.25	30K	045923081910	12
S8189	LED LN60 2700K 19.68" DIM	7	120	T10	S14S	FR	2700K	500	80	19.69	1.25	30K	045923081897	12
S8190	LED LN150 2700K 39.37 DIM	13	120	T10	S14S	FR	2700K	1000	80	39.37	1.25	30K	045923081903	12

Product sheet SA2427

# LED GU24 SQUAT LAMP

## Features:

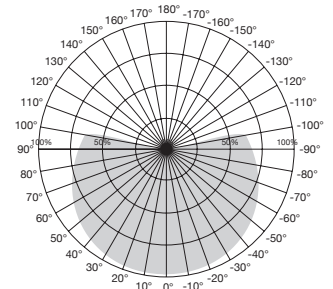
- Direct replacement for squat GU24-based CFL lamps
- 13 Watt CFL replacement uses only 9.5 watts (60W incandescent)
- 18 watt CFL replacement uses only 12 watts (75W incandescent)
- GU24 base
- Uniform luminance pattern
- 2700K and 4000K options
- 90 CRI
- Approved for totally enclosed fixtures ^
- Damp location
- Long life—25,000 hours
- 5 year warranty

## Applications:

- Indoor residential and commercial lighting
- Utility fixtures
- Closet lighting



Replacement for CFL in Satco squat fixtures: 90-2615, 90-2616, 90-2631, 90-2632



Beam Angle: 100°



Item	Description	W	V	Bulb Shape	Base	Finish	CCT	Lm	CRI	MOL (in.)	MOD (in.)	Life (hrs.)	UPC	Pack
S11540	9.5W/SQUAT/LED/27K/GU24	9.5	120	T3	GU24	FR	2700K	800	90	2.84	2.76	25K	045923115400	24/6
S11541	9.5W/SQUAT/LED/40K/GU24	9.5	120	T3	GU24	FR	4000K	800	90	2.84	2.76	25K	045923015410	24/6
S11542	12W/SQUAT/LED/27K/GU24	12	120	T3	GU24	FR	2700K	1100	90	2.84	2.76	25K	045923115424	24/6
S11543	12W/SQUAT/LED/40K/GU24	12	120	T3	GU24	FR	4000K	1100	90	2.84	2.76	25K	045923115431	24/6

Average rated life may vary depending on application, use, fixture type and environment.  
 ^See warranty for details at [www.satco.com](http://www.satco.com)

Product sheet SA2614

# CCT SELECTABLE LED REFLECTOR LAMPS DIM TO WARM



## Features:

- Dim to warm feature from 3000K  
Down to 2000K
- 5-CCT selectable
- 90 CRI high quality light
- R20, BR30, & BR40 models
- Suitable for use in enclosed fixtures



# CCT SELECTABLE LED REFLECTOR LAMPS DIM TO WARM



Dim to warm technology  
3000K down to 2000K



**ColorQuick**<sup>®</sup>  
Selectable Color Technology



Item	Description	W	V	Bulb Shape	Base	Finish	CCT	Lm	CRI	MOL (in.)	MOD (in.)	Life (hrs.)	UPC	Pack
S11782	5.8R20/LED/5CCT/WD/120V	5.8	120	R20	E26	WH	2700K/3000K/3500K/4000K/5000K	525	90	3.86	2.48	25K	045923117824	48/12
S11783	7BR30/LED/5CCT/WD/120V	7	120	BR30	E26	WH	2700K/3000K/3500K/4000K/5000K	650	90	5.04	3.74	25K	045923117831	48/12
S11784	8.5BR30/LED/5CCT/WD/120V	8.5	120	BR30	E26	WH	2700K/3000K/3500K/4000K/5000K	850	90	5.04	3.74	25K	045923117848	48/12
S11785	11BR40/LED/5CCT/WD/120V	11	120	BR40	E26	WH	2700K/3000K/3500K/4000K/5000K	1080	90	6.3	5.00	25K	045923117855	48/6

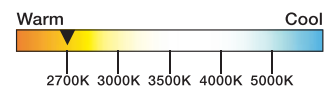
Product sheet SN1674

# LED BR LAMPS CCT SELECTABLE



## Features:

- CCT selectable  
2700K/3000K/3500K/4000K/5000K
- Broad 120° beam angle for maximum coverage of the illuminated area
- 90 CRI for exceptional color rendering



# LED BR LAMPS CCT SELECTABLE



BR30

BR40



Item	Description	W	Lm	V	Input Current	CCT	UPC	Pack
<b>BR30</b>								
S11778	8.5BR30/LED/5CCT/E26/120V	8.5	700	120	0.0708A	2700K/3000K/3500K/4000K/5000K	045923117787	24/6
S11780	8.5BR30/LED/5CCT/E26/120V/6PK	8.5	700	120	0.0708A	2700K/3000K/3500K/4000K/5000K	045923117800	4/6
<b>BR40</b>								
S11779	13BR40/LED/5CCT/E26/120V	13	1075	120	0.108A	2700K/3000K/3500K/4000K/5000K	045923117794	12/6
S11781	13BR40/LED/5CCT/E26/120V/4PK	13	1075	120	0.108A	2700K/3000K/3500K/4000K/5000K	045923117817	4/4

Product sheet SA2998

# R20, BR30 & BR40 LED REFLECTORS



## R20 Features:

- 50R20 replacement uses only up to 6.5 watts
- Indoor residential and commercial lighting
- Dimmable
- Damp location
- Long life—25,000 hours
- 5 year warranty
- CEC T20/T24

## BR30 Features:

- 65BR30 replacement uses only up to 9.5 watts
- Indoor residential and commercial lighting
- Display lighting
- New one piece, lighter weight design
- Dimmable
- Long life—25,000 hours
- 5 year warranty
- CEC T20/T24



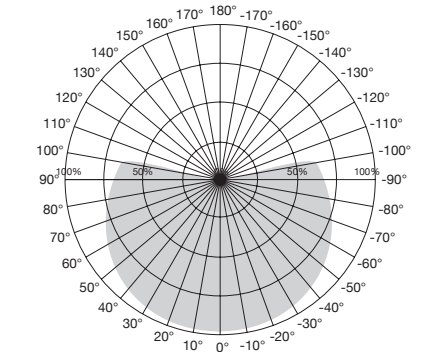
# R20 LED REFLECTORS 80 & 90 CRI



Item	Description	W	V	Bulb Shape	Base	Housing Finish	CCT	Lm	CRI	Beam	MOL (in.)	MOD (in.)	Life (hrs.)	UPC	Pack
<b>90 CRI—CEC/T20A</b>															
S29614**	6R20/LED/927/120V	6	120	R20	E26	GRAY	2700K	525	90	107°	3.94	2.50	25K	045923296147	24/6
S28577**	6R20/LED/930/120V	6	120	R20	E26	GRAY	3000K	525	90	107°	3.94	2.50	25K	045923285776	24/6
S28491**	6R20/LED/940/120V	6	120	R20	E26	GRAY	4000K	525	90	107°	3.94	2.50	25K	045923284915	24/6
S28619	6R20/LED/950/120V	6	120	R20	E26	GRAY	5000K	525	90	107°	3.94	2.50	25K	045923286193	24/6

Product sheet SA2629

# BR30 LED REFLECTORS 80 & 90 CRI



Beam Angle: 105°



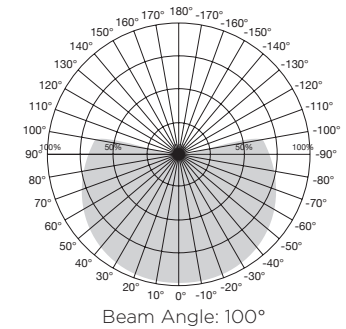
Item	Description	W	V	Bulb Shape	Base	Housing Finish	CCT	Lm	CRI	Beam	MOL (in.)	MOD (in.)	Life (hrs.)	UPC	Pack
<b>90 CRI—CEC/T20A</b>															
S29625**	7.5BR30/LED/927/120V	7.5	120	BR30	E26	GRAY	2700K	650	90	105°	5.16	3.74	25K	045923296253	12/6
S28578**	7.5BR30/LED/930/120V	7.5	120	BR30	E26	GRAY	3000K	650	90	105°	5.16	3.74	25K	045923285783	12/6
S28547**	7.5BR30/LED/935/120V	7.5	120	BR30	E26	GRAY	3500K	650	90	105°	5.16	3.74	25K	045923285479	12/6
S28492**	7.5BR30/LED/940/120V	7.5	120	BR30	E26	GRAY	4000K	650	90	105°	5.16	3.74	25K	045923284922	12/6
S28596	7.5BR30/LED/950/120V	7.5	120	BR30	E26	GRAY	5000K	650	90	105°	5.16	3.74	25K	045923285967	12/6
S11333*	7.5BR30/LED/927/120V/2PK	7.5	120	BR30	E26	GRAY	2700K	650	90	105°	5.16	3.74	25K	045923113338	12/6
S29626*	7.5BR30/LED/927/GU24/120V	7.5	120	BR30	GU24	GRAY	2700K	650	90	105°	4.96	3.74	25K	045923296260	12/6
S28579*	7.5BR30/LED/930/GU24/120V	7.5	120	BR30	GU24	GRAY	3000K	650	90	105°	4.96	3.74	25K	045923285790	12/6

Product sheet SA1784

# 8.5W BR30 LED REFLECTOR 6 PACKS



6 pack Contractor Pack



Item	Description	Lm	Watts	Bulb Type	Volts	CCT	UPC	Pack
<b>90 CRI-CEC/T20</b>								
S11474	8.5BR30/LED/927/120V	700	8.5	BR30	120	2700	045923114748	4-6pks

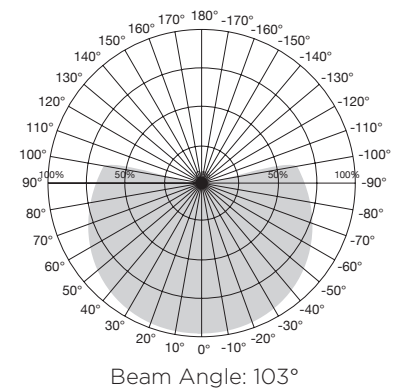
See separate warranty for complete terms and conditions. Must be ordered in full cases only.

Product sheet SA2974

# 11.5W, 13W & 16.5W BR40 LED REFLECTORS 80 & 90 CRI

Features:

- 65W BR40 replacement uses only up to 13 watts
- 85W BR40 replacement uses only 16.5 watts
- Indoor residential and commercial lighting
- Dimmable
- Damp location
- Long life—25,000 hours
- 5 year warranty



Item	Description	W	V	Bulb Shape	Base	Housing Finish	CCT	Lm	CRI	Beam	MOL (in.)	MOD (in.)	Life (hrs.)	UPC	Pack
<b>90 CRI-CEC/T20</b>															
S29615 <sup>†</sup>	13BR40/LED/927/120V	13	120	BR40	E26	GRAY	2700K	1075	90+	103°	6.46	5.00	25K	045923296154	12/6
S28580 <sup>††</sup>	13BR40/LED/930/120V	13	120	BR40	E26	GRAY	3000K	1075	90+	103°	6.46	5.00	25K	045923285806	12/6
S28493 <sup>††</sup>	13BR40/LED/940/120V	13	120	BR40	E26	GRAY	4000K	1075	90+	103°	6.46	5.00	25K	045923284939	12/6
S28597 <sup>†</sup>	13BR40/LED/950/120V	13	120	BR40	E26	GRAY	5000K	1075	90+	103°	6.46	5.00	25K	045923285974	12/6

Product sheet SA1812

# LED R14 LAMPS MEDIUM BASE | INTERMEDIATE BASE



## Features:

- 40W incandescent replacement lamps
- Offered with E17 and E26 bases
- Suitable for use in enclosed fixtures
- 3000K and 5000K options
- Carded packaging



S12262



S12260



Item	Description	W	V	Bulb Shape	Base	CCT	Lm	CRI	Beam	MOL (in.)	MOD (in.)	Life (hrs.)	UPC	Pack
S12260	3.5R14/LED/930/E17/120V	3.5	120	R14	E17	3000K	300	90	110°	2.56	1.78	25K	045923122606	12
S12261*	3.5R14/LED/950/E17/120V	3.5	120	R14	E17	5000K	300	90	110°	2.56	1.78	25K	045923122613	12
S12262	3.5R14/LED/930/E26/120V	3.5	120	R14	E26	3000K	300	90	110°	2.17	1.78	25K	045923122620	12
S12263*	3.5R14/LED/950/E26/120V	3.5	120	R14	E26	5000K	300	90	110°	2.17	1.78	25K	045923122637	12

\*Not T24

# LED PAR LAMPS CCT SELECTABLE



## Features:

- 5 CCT selectable with unique color selection dial
- Available in three beam angle options
- Rated for use in enclosed fixtures
- Wet location rated for use indoors and outdoors



**ColorQuick™**  
Selectable Color Technology

WARM WHITE - 2700K

SOFT WHITE - 3000K

NEUTRAL WHITE - 3500K

COOL WHITE - 4000K

NATURAL LIGHT - 5000K

# LED PAR LAMPS CCT SELECTABLE



PAR20



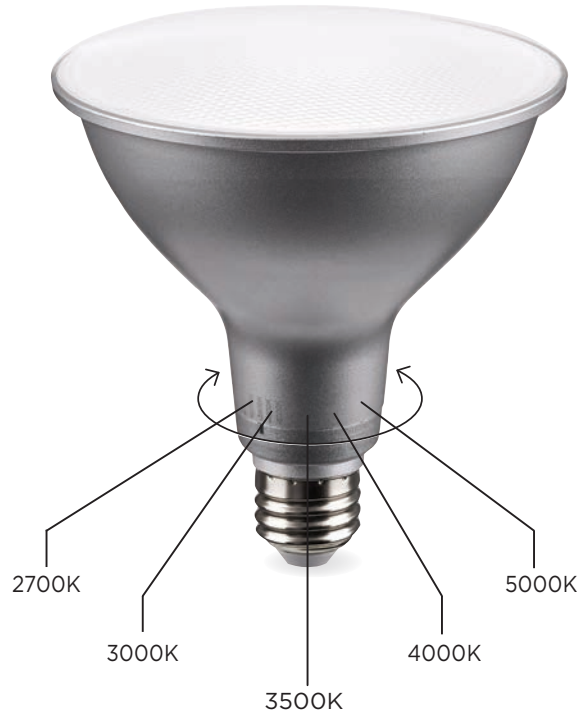
PAR30/SN



PAR30/LN



PAR38/38



Item	Description	W	V	Lm	Input Current	Beam Angle	CBCP (cd)	UPC	Pack
<b>PAR20 - Replaces 50 PAR20</b>									
S11580	5.5PAR20/LED/5CCT/SP/120V	5.5	120	500	0.078A	25°	1,255	045923115806	24/6
S11581	5.5PAR20/LED/5CCT/FL/120V	5.5	120	500	0.078A	40°	884	045923115813	24/6
<b>PAR30/SN - Replaces 75 PAR30 (Short)</b>									
S11582	11PAR30SN/LED/5CCT/SP/120V	11	120	1000	0.117A	25°	2,910	045923115820	12/6
S11583	11PAR30SN/LED/5CCT/FL/120V	11	120	1000	0.117A	40°	1,315	045923115837	12/6
S11584	11PAR30SN/LED/5CCT/WFL/120V	11	120	1000	0.117A	60°	834	045923115844	12/6
<b>PAR30/LN - Replaces 75 PAR30 (Long)</b>									
S11585	11PAR30LN/LED/5CCT/SP/120V	11	120	1000	0.117A	25°	2,910	045923115851	12/6
S11586	11PAR30LN/LED/5CCT/FL/120V	11	120	1000	0.117A	40°	1,315	045923115868	12/6
S11587	11PAR30LN/LED/5CCT/WFL/120V	11	120	1000	0.117A	60°	834	045923115875	12/6
<b>PAR38 - Replaces 90 PAR38</b>									
S11588	13.3PAR38/LED/5CCT/SP/120V	13.3	120	1200	0.180A	25°	3,700	045923115882	12/6
S11589	13.3PAR38/LED/5CCT/FL/120V	13.3	120	1200	0.180A	40°	2,160	045923115899	12/6
S11590	13.3PAR38/LED/5CCT/WFL/120V	13.3	120	1200	0.180A	60°	1,000	045923115905	12/6
<b>PAR38 - Replaces 120 PAR38</b>									
S11591	15.5PAR38/LED/5CCT/FL/120V	15.5	120	1400	0.208A	40°	1,758	045923115912	12/6

Product sheet SA2723

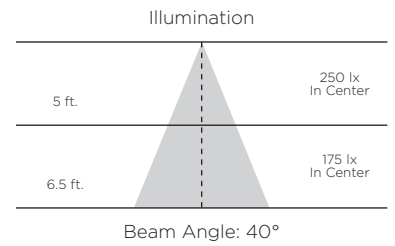
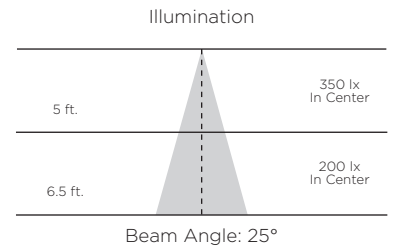
# SILVER PAR SERIES



## Features:

- Silver colored reflector
- Traditional lens
- Indoor/outdoor/wet location
- Dimmable
- 25°, 40° and 60° beam spreads
- 2700K, 3000K, 3500K, 4000K and 5000K
- 90 CRI

# SILVER PAR SERIES PAR 20 LAMPS



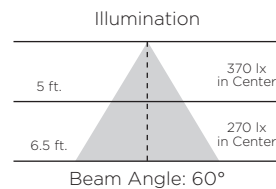
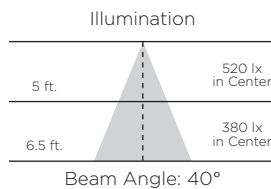
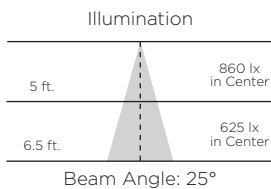
Item	Description	W	V	Bulb Shape	Base	Housing Finish	CCT	Lm	CRI	MOL (in.)	MOD (in.)	Life (hrs.)	UPC	Pack
<b>PAR20 6.5W LED - 50W Replacement</b>														
S29400	6.5PAR20/LED/25'/927/120V	6.5	120	PAR20	E26	SLVR	2700K	520	90	25°	2.99	2.44	25K	045923294006 24/6
S29401	6.5PAR20/LED/25'/930/120V	6.5	120	PAR20	E26	SLVR	3000K	520	90	25°	2.99	2.44	25K	045923294013 24/6
S29402	6.5PAR20/LED/25'/935/120V	6.5	120	PAR20	E26	SLVR	3500K	520	90	25°	2.99	2.44	25K	045923294020 24/6
S29403	6.5PAR20/LED/25'/940/120V	6.5	120	PAR20	E26	SLVR	4000K	520	90	25°	2.99	2.44	25K	045923294037 24/6
S29404*	6.5PAR20/LED/25'/950/120V	6.5	120	PAR20	E26	SLVR	5000K	520	90	25°	2.99	2.44	25K	045923294044 24/6
S29405	6.5PAR20/LED/40'/927/120V	6.5	120	PAR20	E26	SLVR	2700K	520	90	40°	2.99	2.44	25K	045923294051 24/6
S29406	6.5PAR20/LED/40'/930/120V	6.5	120	PAR20	E26	SLVR	3000K	520	90	40°	2.99	2.44	25K	045923294068 24/6
S29407	6.5PAR20/LED/40'/935/120V	6.5	120	PAR20	E26	SLVR	3500K	520	90	40°	2.99	2.44	25K	045923294075 24/6
S29408	6.5PAR20/LED/40'/940/120V	6.5	120	PAR20	E26	SLVR	4000K	520	90	40°	2.99	2.44	25K	045923294082 24/6
S29409*	6.5PAR20/LED/40'/950/120V	6.5	120	PAR20	E26	SLVR	5000K	520	90	40°	2.99	2.44	25K	045923294099 24/6

.For minimum compartment size of enclosed fixture visit [www.satco.com](http://www.satco.com). \*Not T24.

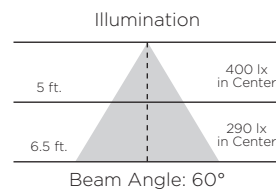
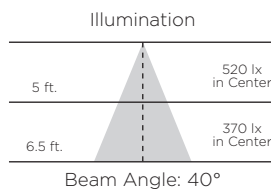
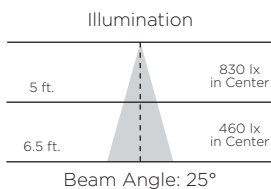
Product sheet SA2723

# SILVER PAR SERIES

## PAR30/SN



## PAR30/LN

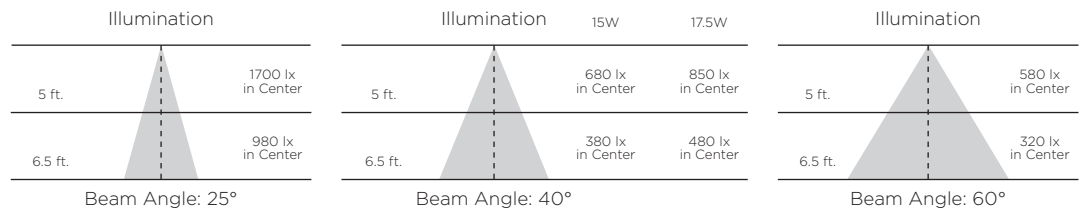


Item	Description	W	V	Bulb Shape	Base	Housing Finish	CCT	Lm	CRI	Beam	MOL (in.)	MOD (in.)	Life (hrs.)	UPC	Pack
<b>PAR30 Short Neck 12.5W LED - 75W Replacement</b>															
S29410	12.5PAR30/SN/LED/25'/927/120V	12.5	120	PAR30SN	E26	SLVR	2700K	1000	90	25°	3.70	3.74	25K	045923294105	12/6
S29411	12.5PAR30/SN/LED/25'/930/120V	12.5	120	PAR30SN	E26	SLVR	3000K	1000	90	25°	3.70	3.74	25K	045923294112	12/6
S29412	12.5PAR30/SN/LED/25'/935/120V	12.5	120	PAR30SN	E26	SLVR	3500K	1000	90	25°	3.70	3.74	25K	045923294129	12/6
S29413	12.5PAR30/SN/LED/25'/940/120V	12.5	120	PAR30SN	E26	SLVR	4000K	1000	90	25°	3.70	3.74	25K	045923294136	12/6
S29414*	12.5PAR30/SN/LED/25'/950/120V	12.5	120	PAR30SN	E26	SLVR	5000K	1000	90	25°	3.70	3.74	25K	045923294143	12/6
S29415	12.5PAR30/SN/LED/40'/927/120V	12.5	120	PAR30SN	E26	SLVR	2700K	1000	90	40°	3.70	3.74	25K	045923294150	12/6
S29416	12.5PAR30/SN/LED/40'/930/120V	12.5	120	PAR30SN	E26	SLVR	3000K	1000	90	40°	3.70	3.74	25K	045923294167	12/6
S29417	12.5PAR30/SN/LED/40'/935/120V	12.5	120	PAR30SN	E26	SLVR	3500K	1000	90	40°	3.70	3.74	25K	045923294174	12/6
S29418	12.5PAR30/SN/LED/40'/940/120V	12.5	120	PAR30SN	E26	SLVR	4000K	1000	90	40°	3.70	3.74	25K	045923294181	12/6
S29419*	12.5PAR30/SN/LED/40'/950/120V	12.5	120	PAR30SN	E26	SLVR	5000K	1000	90	40°	3.70	3.74	25K	045923294198	12/6
S29420	12.5PAR30/SN/LED/60'/927/120V	12.5	120	PAR30SN	E26	SLVR	2700K	1000	90	60°	3.70	3.74	25K	045923294204	12/6
S29421	12.5PAR30/SN/LED/60'/930/120V	12.5	120	PAR30SN	E26	SLVR	3000K	1000	90	60°	3.70	3.74	25K	045923294211	12/6
S29422	12.5PAR30/SN/LED/60'/935/120V	12.5	120	PAR30SN	E26	SLVR	3500K	1000	90	60°	3.70	3.74	25K	045923294228	12/6
S29423	12.5PAR30/SN/LED/60'/940/120V	12.5	120	PAR30SN	E26	SLVR	4000K	1000	90	60°	3.70	3.74	25K	045923294235	12/6
S29424*	12.5PAR30/SN/LED/60'/950/120V	12.5	120	PAR30SN	E26	SLVR	5000K	1000	90	60°	3.70	3.74	25K	045923294242	12/6
<b>PAR30 Long Neck 12.5W LED - 75W Replacement</b>															
S29425	12.5PAR30/LN/LED/25'/927/120V	12.5	120	PAR30LN	E26	SLVR	2700K	1000	90	25°	4.57	3.74	25K	045923294259	12/6
S29426	12.5PAR30/LN/LED/25'/930/120V	12.5	120	PAR30LN	E26	SLVR	3000K	1000	90	25°	4.57	3.74	25K	045923294266	12/6
S29427	12.5PAR30/LN/LED/25'/935/120V	12.5	120	PAR30LN	E26	SLVR	3500K	1000	90	25°	4.57	3.74	25K	045923294273	12/6
S29428	12.5PAR30/LN/LED/25'/940/120V	12.5	120	PAR30LN	E26	SLVR	4000K	1000	90	25°	4.57	3.74	25K	045923294280	12/6
S29429*	12.5PAR30/LN/LED/25'/950/120V	12.5	120	PAR30LN	E26	SLVR	5000K	1000	90	25°	4.57	3.74	25K	045923294297	12/6
S29430	12.5PAR30/LN/LED/40'/927/120V	12.5	120	PAR30LN	E26	SLVR	2700K	1000	90	40°	4.57	3.74	25K	045923294303	12/6
S29431	12.5PAR30/LN/LED/40'/930/120V	12.5	120	PAR30LN	E26	SLVR	3000K	1000	90	40°	4.57	3.74	25K	045923294310	12/6
S29432	12.5PAR30/LN/LED/40'/935/120V	12.5	120	PAR30LN	E26	SLVR	3500K	1000	90	40°	4.57	3.74	25K	045923294327	12/6
S29433	12.5PAR30/LN/LED/40'/940/120V	12.5	120	PAR30LN	E26	SLVR	4000K	1000	90	40°	4.57	3.74	25K	045923294334	12/6
S29434*	12.5PAR30/LN/LED/40'/950/120V	12.5	120	PAR30LN	E26	SLVR	5000K	1000	90	40°	4.57	3.74	25K	045923294341	12/6
S29435	12.5PAR30/LN/LED/60'/927/120V	12.5	120	PAR30LN	E26	SLVR	2700K	1000	90	60°	4.57	3.74	25K	045923294358	12/6
S29436	12.5PAR30/LN/LED/60'/930/120V	12.5	120	PAR30LN	E26	SLVR	3000K	1000	90	60°	4.57	3.74	25K	045923294365	12/6
S29437	12.5PAR30/LN/LED/60'/935/120V	12.5	120	PAR30LN	E26	SLVR	3500K	1000	90	60°	4.57	3.74	25K	045923294372	12/6
S29438	12.5PAR30/LN/LED/60'/940/120V	12.5	120	PAR30LN	E26	SLVR	4000K	1000	90	60°	4.57	3.74	25K	045923294389	12/6
S29439*	12.5PAR30/LN/LED/60'/950/120V	12.5	120	PAR30LN	E26	SLVR	5000K	1000	90	60°	4.57	3.74	25K	045923294396	12/6

\*For minimum compartment size of enclosed fixture visit [www.satco.com](http://www.satco.com). \*Not T24

Product sheet SA2723

# SILVER PAR SERIES PAR 38 LAMPS



Item	Description	W	V	Bulb Shape	Base	Housing Finish	CCT	Lm	CRI	Beam	MOL (in.)	MOD (in.)	Life (hrs.)	UPC	Pack
<b>PAR 38 15W LED - 90W Replacement</b>															
S29440	15PAR38/LED/25'/927/120V	15	120	PAR38	E26	SLVR	2700K	1200	90	25°	5.00	4.72	25K	045923294402	12/6
S29441	15PAR38/LED/25'/930/120V	15	120	PAR38	E26	SLVR	3000K	1200	90	25°	5.00	4.72	25K	045923294419	12/6
S29442	15PAR38/LED/25'/935/120V	15	120	PAR38	E26	SLVR	3500K	1200	90	25°	5.00	4.72	25K	045923294426	12/6
S29443	15PAR38/LED/25'/940/120V	15	120	PAR38	E26	SLVR	4000K	1200	90	25°	5.00	4.72	25K	045923294433	12/6
S29444*	15PAR38/LED/25'/950/120V	15	120	PAR38	E26	SLVR	5000K	1200	90	25°	5.00	4.72	25K	045923294440	12/6
S29445	15PAR38/LED/40'/927/120V	15	120	PAR38	E26	SLVR	2700K	1200	90	40°	5.00	4.72	25K	045923294457	12/6
S29446	15PAR38/LED/40'/930/120V	15	120	PAR38	E26	SLVR	3000K	1200	90	40°	5.00	4.72	25K	045923294464	12/6
S29447	15PAR38/LED/40'/935/120V	15	120	PAR38	E26	SLVR	3500K	1200	90	40°	5.00	4.72	25K	045923294471	12/6
S29448	15PAR38/LED/40'/940/120V	15	120	PAR38	E26	SLVR	4000K	1200	90	40°	5.00	4.72	25K	045923294488	12/6
S29449*	15PAR38/LED/40'/950/120V	15	120	PAR38	E26	SLVR	5000K	1200	90	40°	5.00	4.72	25K	045923294495	12/6
S29450	15PAR38/LED/60'/927/120V	15	120	PAR38	E26	SLVR	2700K	1200	90	60°	5.00	4.72	25K	045923294501	12/6
S29451	15PAR38/LED/60'/930/120V	15	120	PAR38	E26	SLVR	3000K	1200	90	60°	5.00	4.72	25K	045923294518	12/6
S29452	15PAR38/LED/60'/935/120V	15	120	PAR38	E26	SLVR	3500K	1200	90	60°	5.00	4.72	25K	045923294525	12/6
S29453	15PAR38/LED/60'/940/120V	15	120	PAR38	E26	SLVR	4000K	1200	90	60°	5.00	4.72	25K	045923294532	12/6
S29454*	15PAR38/LED/60'/950/120V	15	120	PAR38	E26	SLVR	5000K	1200	90	60°	5.00	4.72	25K	045923294549	12/6
<b>PAR38 15W LED 2 Pack - Non-Dimmable - 90W Replacement</b>															
S29457	15PAR38/LED/60'/930/120V/ND/2P	15	120	PAR38	E26	SLVR	3000K	1200	90	60°	5.00	4.72	25K	045923294570	8-2pks
<b>PAR38 17.5W LED - 120W Replacement</b>															
S29455	17.5PAR38/LED/40'/930/120V	17.5	120	PAR38	E26	SLVR	3000K	1400	90	40°	5.00	4.72	25K	045923294556	12/6
S29456	17.5PAR38/LED/40'/940/120V	17.5	120	PAR38	E26	SLVR	4000K	1400	90	40°	5.00	4.72	25K	045923294563	12/6

\*For minimum compartment size of enclosed fixture visit [www.satco.com](http://www.satco.com). \*Not T24

# HIGH LUMEN LED PAR LAMPS



## Features:

- Silver reflector
- Wet location - indoor/outdoor
- 120V dimmable version
- Range voltage 120V -277V
- Non-dimmable version
- Multiple CCT options



# HIGH LUMEN LED PAR LAMPS



PAR30LN



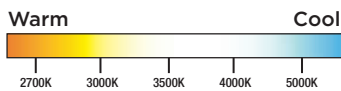
PAR38



Choose from  
2700K/3000K/3500K/4000K/5000K  
color temperatures



**ColorQuick**<sup>®</sup>  
Selectable Color Technology



Item	Description	W	Incandescent Replacement Wattage	V	Bulb Shape	Base	Housing Finish	CCT	Lm	Beam	MOL (in.)	MOD (in.)	Life (hrs.)	Pack
<b>Dimmable</b>														
S32240	15PAR30LN/5CCT/HL/120V/D	15	100W	120	PAR30LN	E26	Silver	2700K/3000K/3500K/4000K/5000K	1800	40°	4.65	3.74	25K	12/6
S32250	21PAR38/5CCT/HL/120V/D	21	250W	120	PAR38	E26	Silver	2700K/3000K/3500K/4000K/5000K	3000	40°	5.12	4.76	25K	12/6
<b>Non-Dimmable</b>														
S39764*	15PAR30/5CCT/HL/120-277/ND	15	100W	120-277	PAR38	E26	Silver	2700K/3000K/3500K/4000K/5000K	1800	40°	4.65	3.74	25K	12/6
S39760*	19PAR38/5CCT/HL/120-277/ND	19	250W	120-277	PAR38	E26	Silver	2700K/3000K/3500K/4000K/5000K	2400	40°	5.12	4.76	25K	12/6

\*Not dimmable

Product sheet SN1457

# PAR 20, 30 & 38 LAMPS CONTRACTOR SERIES



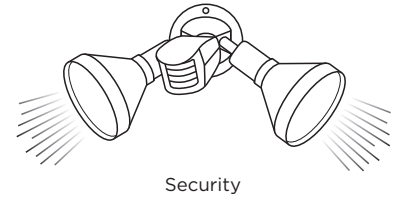
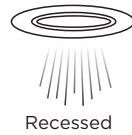
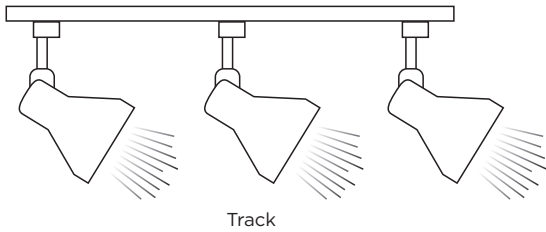
## Features:

- 90 CRI - superior light
- Indoor/outdoor
- Dimmable
- 40° beam angle
- 3000K and 4000K

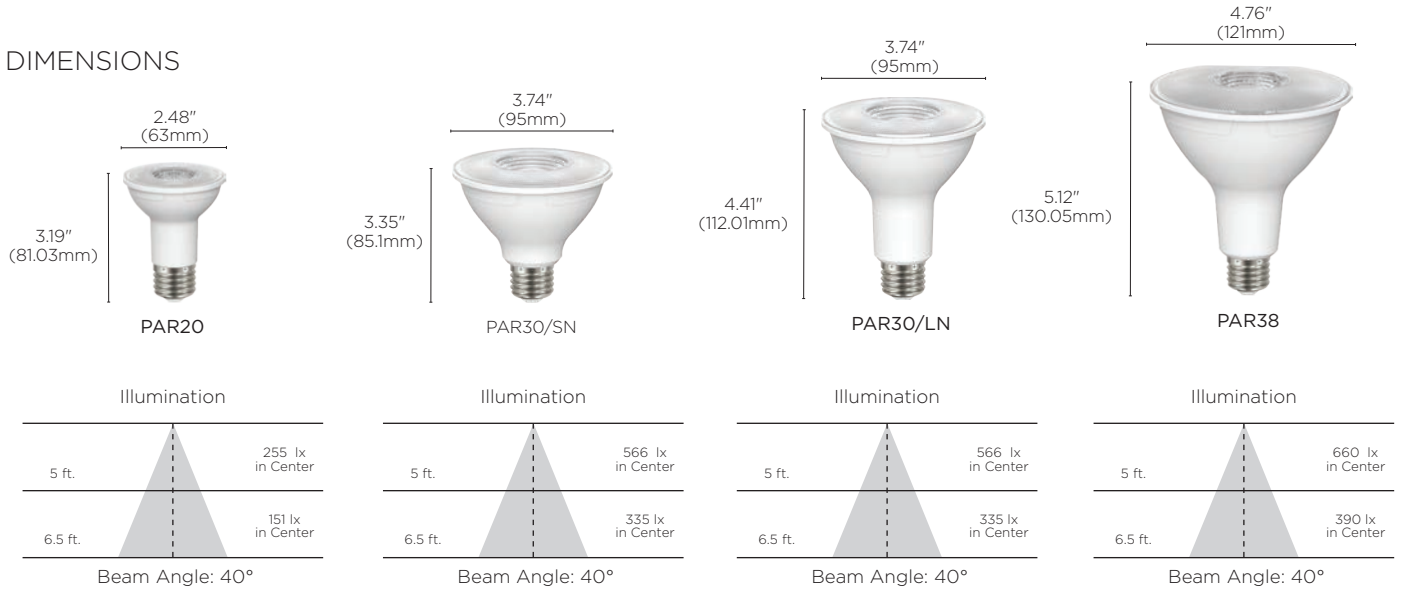


# PAR 20, 30 & 38 LAMPS CONTRACTOR SERIES

## APPLICATIONS



## DIMENSIONS



Item	Description	W	V	Bulb Shape	Base	Housing Finish	CCT	Lm	CRI	Beam	MOL (in.)	MOD (in.)	Life (hrs.)	UPC	Pack
<b>PAR20 - 50W Replacement</b>															
S22210	5.5PAR20/LED/930/FL/120V	5.5	120	PAR20	E26	WH	3000K	500	90	40°	3.19	2.48	15K	045923210433	24/6
S22211	5.5PAR20/LED/940/FL/120V	5.5	120	PAR20	E26	WH	4000K	500	90	40°	3.19	2.48	15K	045923210440	24/6
<b>PAR30 - 75W Replacement (Short)</b>															
S22212	8.5PAR30S/LED/930/FL/120V	8.5	120	PAR 30S	E26	WH	3000K	700	90	40°	3.35	3.74	15K	045923210457	12/6
S22213	8.5PAR30S/LED/940/FL/120V	8.5	120	PAR 30S	E26	WH	4000K	700	90	40°	3.35	3.74	15K	045923210464	12/6
<b>PAR30 - 75W Replacement (Long)</b>															
S22214	8.5PAR30L/LED/930/FL/120V	8.5	120	PAR 30L	E26	WH	3000K	700	90	40°	4.41	3.74	15K	045923210471	12/6
S22215	8.5PAR30L/LED/940/FL/120V	8.5	120	PAR 30L	E26	WH	4000K	700	90	40°	4.41	3.74	15K	045923210488	12/6
S22218	8.5PAR30L/LED/930/FL/120V/2PK	8.5	120	PAR 30L	E26	WH	3000K	700	90	40°	4.41	3.74	15K	045923210518	8/2pks
<b>PAR38 - 90W Replacement</b>															
S22216	11.5PAR38/LED/930/FL/120V	11.5	120	PAR 38	E26	WH	3000K	1000	90	40°	5.12	4.76	15K	045923210495	12/6
S22217	11.5PAR38/LED/940/FL/120V	11.5	120	PAR 38	E26	WH	4000K	1000	90	40°	5.12	4.76	15K	045923210501	12/6
S22219	11.5PAR38/LED/930/FL/120V/2PK	11.5	120	PAR 38	E26	WH	3000K	1000	90	40°	5.12	4.76	15K	045923210525	8/2

\*For minimum compartment size of enclosed fixture visit [www.satco.com](http://www.satco.com)

Product sheet SA2490

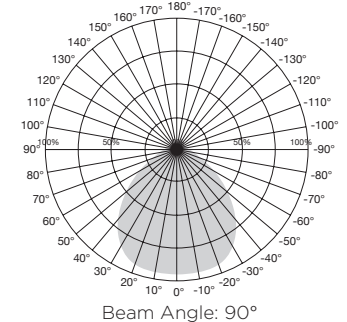
## LED PAR38 COLORS



### Features:

- High efficiency—uses only 11.5 Watts
- Improved color
- Superior design
- Indoor/outdoor
- Dimmable

# LED PAR38 COLORS



Item	Description	W	V	Bulb Shape	Base	Lens Finish	CRI	Beam	MOL (in.)	MOD (in.)	Life (hrs.)	UPC	Pack
S29480	11.5PAR38/LED/90°/RED	11.5	120	PAR38	E26	RED	80	90°	5.20	4.75	15K	045923294808	12/6
S29481	11.5PAR38/LED/90°/GREEN	11.5	120	PAR38	E26	GRN	80	90°	5.20	4.75	15K	045923294815	12/6
S29482	11.5PAR38/LED/90°/BLUE	11.5	120	PAR38	E26	BLUE	80	90°	5.20	4.75	15K	045923294822	12/6
S29483	11.5PAR38/LED/90°/AMBER	11.5	120	PAR38	E26	AMB	80	90°	5.20	4.75	15K	045923294839	12/6
S29484	11.5PAR38/LED/90°/YELLOW	11.5	120	PAR38	E26	YLW	80	90°	5.20	4.75	15K	045923294846	12/6

\*Visit [www.satco.com](http://www.satco.com) for compatible dimmers. ^ For minimum compartment size of enclosed fixture visit [www.satco.com](http://www.satco.com)

Product sheet SA2794

# LED DUSK TO DAWN PAR38



## Features:

- On at dusk, off at dawn
- Numerous applications
- Replace up to 90W incandescent bulbs
- Easy installation into standard light sockets



# LED DUSK TO DAWN PAR38



90W Replacement



Item	Description	W	V	Bulb Shape	Base	Finish	CCT	Lm	Beam	MOL (in.)	MOD (in.)	Life (hrs.)	UPC	Pack
S11475	14PAR38/D2D/LED/930/120V	14	120	PAR38	E26	WH	3000K	1250	40°	5.12	4.72	15K	045923114755	12/6
S11476	14PAR38/D2D/LED/950/120V	14	120	PAR38	E26	WH	5000K	1250	40°	5.12	4.72	15K	045923114762	12/6

Product sheet SN1685

# LED PIR SENSOR LAMPS INTEGRATED MOTION SENSOR

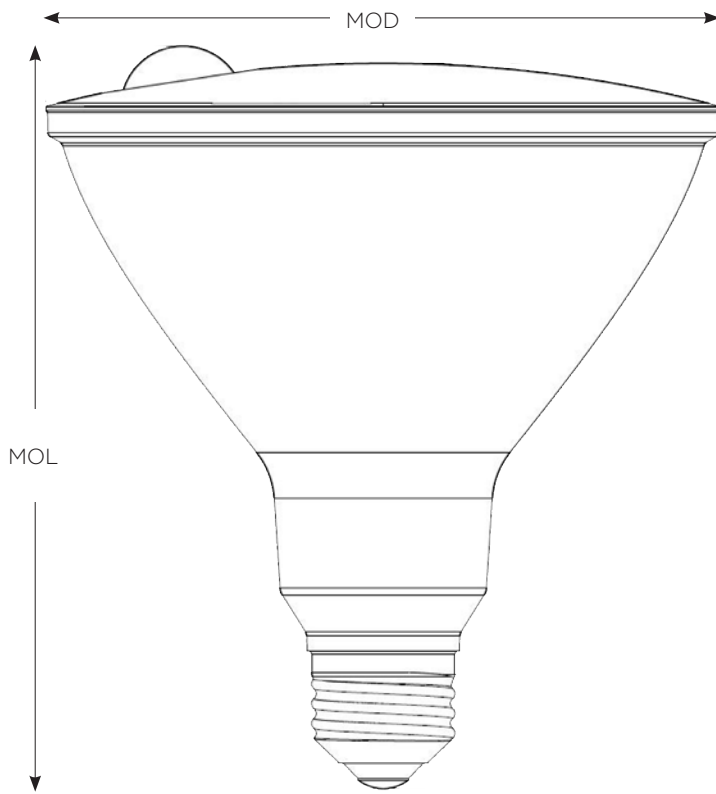


## Features:

- Integrated Motion Activated Sensor
- Dusk to Dawn Operation
- Improve Safety and Security
- Functional life of up to 50,000 hours.



# LED PIR SENSOR LAMPS INTEGRATED MOTION SENSOR



90 CRI
WET LOCATION
50,000 HOURS
TRUSTED NB WARRANTY
3 YEAR WARRANTY
UL LISTED
TITLE 20
FC
RoHS COMPLIANT

Item	Description	W	V	Bulb Shape	Base	Finish	CCT	Lm	Beam	MOL (in.)	MOD (in.)	Life (hrs.)	UPC	Pack
S11443	14PAR38/PIR/40/930/120V/ND	14	120	PAR38	E26	WH	3000K	1150	40°	5.35	4.85	15K	045923114434	1/24
S11444	14PAR38/PIR/40/950/120V/ND	14	120	PAR38	E26	WH	5000K	1150	40°	5.35	4.85	15K	045923114441	1/24

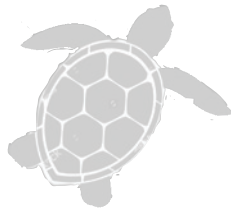
Product sheet SA2963

# PAR 20, PAR 30 AMBER LAMPS "Turtle Friendly"



## Features:

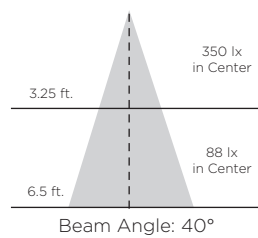
- Amber color -
- Sea turtle friendly
- Operating temperature - 13°F to 113°F (-25°C to 45°C)
- Halogen PAR LED replacement
- Long Life - 25,000 hours



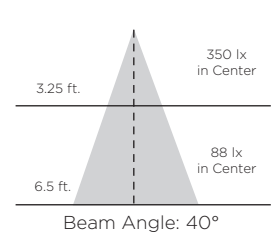
# PAR 20, PAR 30 AMBER LAMPS "Turtle Friendly"



ILLUMINATION (PAR 20)



ILLUMINATION (PAR 30)



Item	Description	W	V	Bulb Shape	Base	Housing Finish	CCT	Lm	NM	Beam	MOL (in.)	MOD (in.)	Life (hrs.)	UPC	Pack
S39188*	6.5PAR20/LED/40'/AMBER	6.5	120	PAR20	E26	WH	AMB	180	590	40°	3.25	2.50	25K	049523391880	24/6
S29189†	8PAR30/LN/LED/40'/AMBER	8	120	PAR30	E26	WH	AMB	280	590	40°	4.57	3.74	25K	045923291890	24/6

Product sheet SA1641

# LED PAR 120-277V CONTRACTOR SERIES



## Features:

- Range voltage 120-277V for residential and commercial use
- 90 CRI for exceptional color rendering
- Wet location rated for use outdoors
- 40° beam angle for focused floodlight illumination

# LED PAR 120-277V CONTRACTOR SERIES



PAR20

PAR30

PAR38



Item	Description	W	V	Bulb Shape	Base	CCT	Lm	CRI	Beam	MOL (in.)	MOD (in.)	Life (hrs.)	UPC	Pack
<b>PAR20 50W Replacement</b>														
S11494	7PAR20/930/120-277V	7	120-277V	PAR20	E26	3000K	450	90	35°	3.27	2.52	15K	045923114946	24/12
S11495	7PAR20/940/120-277V	7	120-277V	PAR20	E26	4000K	450	90	35°	3.27	2.52	15K	045923114953	24/12
S11496	7PAR20/950/120-277V	7	120-277V	PAR20	E26	5000K	450	90	35°	3.27	2.52	15K	045923114960	24/12
<b>PAR30 (Long) 75W Replacement</b>														
S11497	12PAR30L/930/120-277V	12	120-277V	PAR30	E26	3000K	900	90	35°	4.65	3.74	15K	045923114977	12/6
S11498	12PAR30L/940/120-277V	12	120-277V	PAR30	E26	4000K	900	90	35°	4.65	3.74	15K	045923114984	12/6
S11499	12PAR30L/950/120-277V	12	120-277V	PAR30	E26	5000K	900	90	35°	4.65	3.74	15K	045923114991	12/6
<b>PAR38 90W 90W Replacement</b>														
S11486	15PAR38/LED/40'/930/120-277	15	120-277V	PAR38	E26	3000K	1200	90	40°	5.04	4.8	15K	045923114861	12/6
S11487	15PAR38/LED/40'/940/120-277	15	120-277V	PAR38	E26	4000K	1200	90	40°	5.04	4.8	15K	045923114878	12/6
S11488	15PAR38/LED/40'/950/120-277	15	120-277V	PAR38	E26	5000K	1200	90	40°	5.04	4.8	15K	045923114885	12/6

Product sheet SA2986

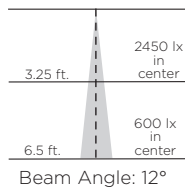
# LED AR111 LAMPS



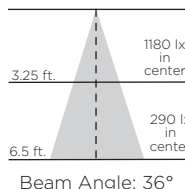
## Features:

- Direct replacement for halogen lamps
- High efficiency—less heat
- 7W and 12W options
- Damp location
- Long life—30,000 hours
- PAR 36 replacement

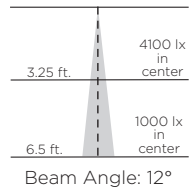
ILLUMINATION 7W



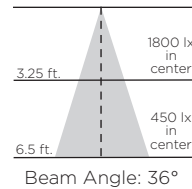
ILLUMINATION 7W



ILLUMINATION 12W



ILLUMINATION 12W



Item	Description	W	V	Bulb Shape	Base	Housing Finish	CCT	Lm	CRI	Beam	MOL (in.)	MOD (in.)	Life (hrs.)	UPC	Pack
S12244	7AR111/LED/830/SP12/12V	7	12	AR111	G53	WH	3000K	520	80	12°	2.60	4.37	30K	045923122446	24/6
S12245	7AR111/LED/830/FL36/12V	7	12	AR111	G53	WH	3000K	600	80	36°	2.60	4.37	30K	045923122453	24/6
S12246	12AR111/LED/830/SP12/12V	12	12	AR111	G53	WH	3000K	850	80	12°	2.60	4.37	30K	045923122460	24/6
S12247	12AR111/LED/830/FL36/12V	12	12	AR111	G53	WH	3000K	900	80	36°	2.60	4.37	30K	045923122477	24/6

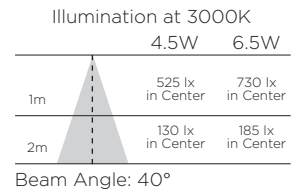
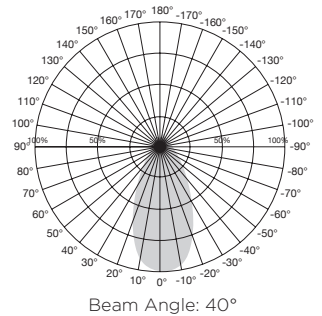
Non-dimmable

Product sheet SA2610

# LED PAR16 LAMPS

## Features:

- 45 watt & 60 watt halogen PAR16 lamp replacement uses only 4-6.5 watts
- Dimmable
- Damp location
- Approved for totally enclosed fixtures ^
- Long life—25,000 hours
- 5 year warranty



Item	Description	W	V	Bulb Shape	Base	Housing Finish	CCT	Lm	CRI	Beam	MOL (in.)	MOD (in.)	Life (hrs.)	UPC	Pack
S9386	4.5PAR16/LED/40°/3000K/120V	4.5	120	PAR16	E26	WH	3000K	360	80	40°	2.88	2.00	25K	045923093869	48/12
S9387	4.5PAR16/LED/40°/5000K/120V	4.5	120	PAR16	E26	WH	5000K	360	80	40°	2.88	2.00	25K	045923093876	48/12
S9388	6.5PAR16/LED/40°/3000K/120V	6.5	120	PAR16	E26	WH	3000K	500	80	40°	2.88	2.00	25K	045923093883	48/12
S9389	6.5PAR16/LED/40°/5000K/120V	6.5	120	PAR16	E26	WH	5000K	500	80	40°	2.88	2.00	25K	045923093890	48/12
90 CRI—CEC/T20															
S8585*	4PAR16/LED/40°/3K/120V/90CRI	4	120	PAR16	E26	WH	3000K	360	90+	40°	2.88	2.00	25K	045923085857	48/12

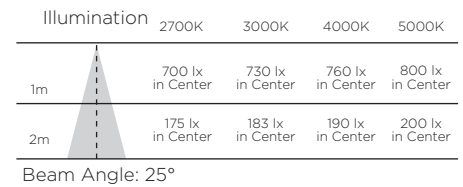
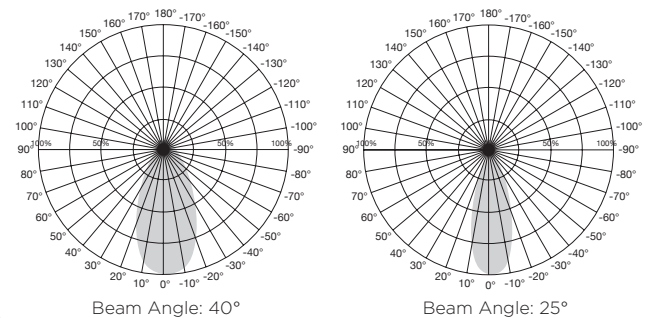
\*For minimum compartment size of enclosed fixture visit [www.satco.com](http://www.satco.com)

Product sheet SA1744

# 12V LED MR11 LAMPS

## Features:

- 20 Watt MR11 replacement, uses up to 3 watts
- Damp location
- Approved for totally enclosed fixtures ^
- Long life—25,000 hours
- 3 year warranty†



Item	Description	W	V	Bulb Shape	Base	Housing Finish	CCT	Lm	CRI	Beam	MOL (in.)	MOD (in.)	Life (hrs.)	UPC	Pack
S9550**	1.6MR11/LED/40°/3000K/12V	1.6	12	MR11	G4	CL	3000K	200	80	40°	1.56	1.31	25K	045923095504	200/20
S9551**	1.6MR11/LED/40°/5000K/12V	1.6	12	MR11	G4	CL	5000K	200	80	40°	1.56	1.31	25K	045923095511	200/20
S9280	3MR11/LED/25°/2700K/12V	3	12	MR11	GU4	WH	2700K	210	80	25°	1.48	1.36	25K	045923092800	48/12
S9281	3MR11/LED/25°/3000K/12V	3	12	MR11	GU4	WH	3000K	210	80	25°	1.48	1.36	25K	045923092817	48/12
S9282	3MR11/LED/25°/4000K/12V	3	12	MR11	GU4	WH	4000K	210	80	25°	1.48	1.36	25K	045923092824	48/12
S9283	3MR11/LED/25°/5000K/12V	3	12	MR11	GU4	WH	5000K	210	80	25°	1.48	1.36	25K	045923092831	48/12

\*For minimum compartment size of enclosed fixture visit [www.satco.com](http://www.satco.com). †5 year warranty S9280 & S9283.

Product sheet SA1679

# LED MR16 LAMPS



## Features:

- Dimmable
- Approved for totally enclosed fixtures ^
- 12V and 24V
- Long life—25,000 hours
- 5 year warranty

## Applications:

- Indoor residential and commercial lighting
- Down lighting
- Accent lighting
- Pendant lighting





3MR16  
Clear



6.5W MR16  
Gray



8W MR16  
Gray



8W MR16  
Back

# LED MR16 LAMPS



Item	Description	W	V	Bulb Shape	Base	Housing Finish	CCT	Lm	CRI	Beam	MOL (in.)	MOD (in.)	Life (hrs.)	UPC	Pack
S9552	3MR16/LED/40°/3000K/12V	3	12	MR16	GU5.3	CL	3000K	330	80	40°	2.00	2.00	25K	045923095528	200/20
S9553	3MR16/LED/40°/5000K/12V	3	12	MR16	GU5.3	CL	5000K	330	80	40°	2.00	2.00	25K	045923095535	200/20
S11389	4.5MR16/LED/15°/830/12V	4.5	12	MR16	GU5.3	GR	3000K	360	80	15°	1.77	1.97	25K	045923113895	48/12
S11390	4.5MR16/LED/15°/850/12V	4.5	12	MR16	GU5.3	GR	5000K	360	80	15°	1.77	1.97	25K	045923113901	48/12
S11391	4.5MR16/LED/40°/827/12V	4.5	12	MR16	GU5.3	GR	2700K	360	80	40°	1.77	1.97	25K	045923113918	48/12
S11392	4.5MR16/LED/40°/830/12V	4.5	12	MR16	GU5.3	GR	3000K	360	80	40°	1.77	1.97	25K	045923113925	48/12
S11393	4.5MR16/LED/40°/835/12V	4.5	12	MR16	GU5.3	GR	3500K	360	80	40°	1.77	1.97	25K	045923113932	48/12
S11394	4.5MR16/LED/40°/840/12V	4.5	12	MR16	GU5.3	GR	4000K	360	80	40°	1.77	1.97	25K	045923113949	48/12
S11395	4.5MR16/LED/40°/850/12V	4.5	12	MR16	GU5.3	GR	5000K	360	80	40°	1.77	1.97	25K	045923113956	48/12
S11396	4.5MR16/LED/40°/830/12V	4.5	12	MR16	GU5.3	BK	3000K	360	80	40°	1.77	1.97	25K	045923113963	48/12
S11397	4.5MR16/LED/40°/850/12V	4.5	12	MR16	GU5.3	BK	5000K	360	80	40°	1.77	1.97	25K	045923113970	48/12
<b>50W Replacement</b>															
S11398	6.5MR16/LED/40°/830/12V	6.5	12	MR16	GU5.3	BK	3000K	500	80	40°	1.77	1.97	25K	045923113987	48/12
S11399	6.5MR16/LED/40°/850/12V	6.5	12	MR16	GU5.3	BK	5000K	500	80	40°	1.77	1.97	25K	045923113994	48/12
<b>80 CRI - 50W Replacement - CEC/T20</b>															
S9490	6.5MR16/LED/25°/27K/12V	6.5	12	MR16	GU5.3	GR	2700K	500	80	25°	1.77	1.97	25K	045923094903	48/12
S9491	6.5MR16/LED/25°/30K/12V	6.5	12	MR16	GU5.3	GR	3000K	500	80	25°	1.77	1.97	25K	045923094910	48/12
S9492	6.5MR16/LED/25°/35K/12V	6.5	12	MR16	GU5.3	GR	3500K	500	80	25°	1.77	1.97	25K	045923094927	48/12
S9493	6.5MR16/LED/25°/40K/12V	6.5	12	MR16	GU5.3	GR	4000K	500	80	25°	1.77	1.97	25K	045923094934	48/12
S9494	6.5MR16/LED/25°/50K/12V	6.5	12	MR16	GU5.3	GR	5000K	500	80	25°	1.77	1.97	25K	045923094941	48/12
S9495	6.5MR16/LED/40°/27K/12V	6.5	12	MR16	GU5.3	GR	2700K	500	80	40°	1.77	1.97	25K	045923094958	48/12
S9496	6.5MR16/LED/40°/30K/12V	6.5	12	MR16	GU5.3	GR	3000K	500	80	40°	1.77	1.97	25K	045923094965	48/12
S9497	6.5MR16/LED/40°/35K/12V	6.5	12	MR16	GU5.3	GR	3500K	500	80	40°	1.77	1.97	25K	045923094972	48/12
S9498	6.5MR16/LED/40°/40K/12V	6.5	12	MR16	GU5.3	GR	4000K	500	80	40°	1.77	1.97	25K	045923094989	48/12
S9499	6.5MR16/LED/40°/50K/12V	6.5	12	MR16	GU5.3	GR	5000K	500	80	40°	1.77	1.97	25K	045923094996	48/12
<b>24V - 50W Replacement</b>															
S11340	6MR16/LED/40°/827/24V AC/DC	6	24	MR16	GU5.3	GR	2700K	550	80	40°	1.77	1.97	25K	045923113406	48/12
S11341	6MR16/LED/40°/830/24V AC/DC	6	24	MR16	GU5.3	GR	3000K	550	80	40°	1.77	1.97	25K	045923113413	48/12
S11342	6MR16/LED/40°/840/24V AC/DC	6	24	MR16	GU5.3	GR	4000K	550	80	40°	1.77	1.97	25K	045923113420	48/12
S11343	6MR16/LED/40°/850/24V AC/DC	6	24	MR16	GU5.3	GR	5000K	550	80	40°	1.77	1.97	25K	045923113437	48/12
<b>90 CRI</b>															
S11334*	6.5MR16/LED/25°/927/12V	6.5	12	MR16	GU5.3	GR	2700K	450	90	25°	1.77	1.97	25K	045923113345	48/12
S11335*	6.5MR16/LED/25°/930/12V	6.5	12	MR16	GU5.3	GR	3000K	450	90	25°	1.77	1.97	25K	045923113352	48/12
S11336*	6.5MR16/LED/40°/927/12V	6.5	12	MR16	GU5.3	GR	2700K	450	90	40°	1.77	1.97	25K	045923113369	48/12
S9616*	6.5MR16/LED/40°/930/12V	6.5	12	MR16	GU5.3	GR	3000K	450	90	40°	1.77	1.97	25K	045923096167	48/12
<b>Single Optic - 75W Replacement - CEC/T20</b>															
S8635*	8MR16/LED/15°/27K/90CRI/12V	8	12	MR16	GU5.3	GR	2700K	490	90	15°	1.93	1.97	25K	045923086359	48/12
S8636*	8MR16/LED/15°/30K/90CRI/12V	8	12	MR16	GU5.3	GR	3000K	490	90	15°	1.93	1.97	25K	045923086366	48/12
S8637*	8MR16/LED/15°/35K/90CRI/12V	8	12	MR16	GU5.3	GR	3500K	490	90	15°	1.93	1.97	25K	045923086373	48/12
S8638*	8MR16/LED/15°/40K/90CRI/12V	8	12	MR16	GU5.3	GR	4000K	490	90	15°	1.93	1.97	25K	045923086380	48/12
S8639	8MR16/LED/15°/50K/90CRI/12V	8	12	MR16	GU5.3	GR	5000K	490	90	15°	1.93	1.97	25K	045923086397	48/12
S8640*	8MR16/LED/40°/27K/90CRI/12V	8	12	MR16	GU5.3	GR	2700K	490	90	40°	1.85	1.97	25K	045923086403	48/12
S8641*	8MR16/LED/40°/30K/90CRI/12V	8	12	MR16	GU5.3	GR	3000K	490	90	40°	1.85	1.97	25K	045923086410	48/12
S8642*	8MR16/LED/40°/35K/90CRI/12V	8	12	MR16	GU5.3	GR	3500K	490	90	40°	1.85	1.97	25K	045923086427	48/12
S8643*	8MR16/LED/40°/40K/90CRI/12V	8	12	MR16	GU5.3	GR	4000K	490	90	40°	1.85	1.97	25K	045923086434	48/12
S8644	8MR16/LED/40°/50K/90CRI/12V	8	12	MR16	GU5.3	GR	5000K	490	90	40°	1.85	1.97	25K	045923086441	48/12

All 12V MR16 lamps are compatible with electronic and magnetic transformers. Visit [www.satco.com](http://www.satco.com) for compatibility information and warranty details. \*For minimum compartment size of enclosed fixture visit [www.satco.com](http://www.satco.com).

Product sheet SA1902

# LED MR16 LAMPS



## Features:

- Available with GU5.3 or GU10 base
- Excellent color rendering
- 12V and 120V models offered
- Traditional look with glass housing



# LED MR16 LAMPS



GU5.3 Base

GU10 Base



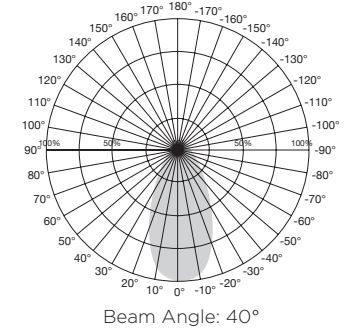
Item	Description	W	V	Bulb Shape	Base	Housing Finish	CCT	Lm	CRI	Beam	MOL (in.)	MOD (in.)	Life (hrs.)	UPC	Pack
S12360	5.5MR16/GB/927/SP15/12V	5.5	12	MR16	GU5.3	Clear	2700K	500	90+	15°	1.73	1.97	25K	045923123603	48/6
S12361	5.5MR16/GB/930/SP15/12V	5.5	12	MR16	GU5.3	Clear	3000K	500	90+	15°	1.73	1.97	25K	045923123610	48/6
S12362	5.5MR16/GB/935/SP15/12V	5.5	12	MR16	GU5.3	Clear	3500K	500	90+	15°	1.73	1.97	25K	045923123627	48/6
S12363	5.5MR16/GB/940/SP15/12V	5.5	12	MR16	GU5.3	Clear	4000K	500	90+	15°	1.73	1.97	25K	045923123634	48/6
S12364	5.5MR16/GB/950/SP15/12V	5.5	12	MR16	GU5.3	Clear	5000K	500	90+	15°	1.73	1.97	25K	045923123641	48/6
S12365	5.5MR16/GB/927/FL36/12V	5.5	12	MR16	GU5.3	Clear	2700K	500	90+	36°	1.73	1.97	25K	045923123658	48/6
S12366	5.5MR16/GB/930/FL36/12V	5.5	12	MR16	GU5.3	Clear	3000K	500	90+	36°	1.73	1.97	25K	045923123665	48/6
S12367	5.5MR16/GB/935/FL36/12V	5.5	12	MR16	GU5.3	Clear	3500K	500	90+	36°	1.73	1.97	25K	045923123672	48/6
S12368	5.5MR16/GB/940/FL36/12V	5.5	12	MR16	GU5.3	Clear	4000K	500	90+	36°	1.73	1.97	25K	045923123689	48/6
S12369	5.5MR16/GB/950/FL36/12V	5.5	12	MR16	GU5.3	Clear	5000K	500	90+	36°	1.73	1.97	25K	045923123696	48/6
S12370	5.5MR16/GB/965/FL36/12V	5.5	12	MR16	GU5.3	Clear	6500K	500	90+	36°	1.73	1.97	25K	045923123702	48/6
S12371	5.5MR16/GB/927/FL36/GU10/120V	5.5	120	MR16	GU10	Clear	2700K	500	90+	36°	2.05	1.97	25K	045923123719	48/6
S12372	5.5MR16/GB/930/FL36/GU10/120V	5.5	120	MR16	GU10	Clear	3000K	500	90+	36°	2.05	1.97	25K	045923123726	48/6
S12373	5.5MR16/GB/935/FL36/GU10/120V	5.5	120	MR16	GU10	Clear	3500K	500	90+	36°	2.05	1.97	25K	045923123733	48/6
S12374	5.5MR16/GB/940/FL36/GU10/120V	5.5	120	MR16	GU10	Clear	4000K	500	90+	36°	2.05	1.97	25K	045923123740	48/6
S12375	5.5MR16/GB/950/FL36/GU10/120V	5.5	120	MR16	GU10	Clear	5000K	500	90+	36°	2.05	1.97	25K	045923123757	48/6

Product sheet SN1756

# MR16 GU10 BASE LED LAMPS

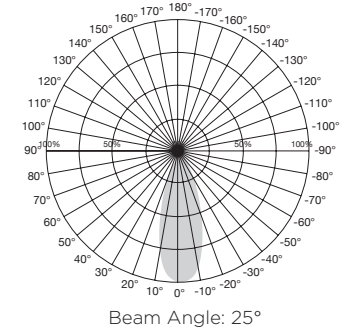
## Features:

- Direct replacement for halogen lamps
- 4.5W = 35 watts
- 6.5W = 50 watts – 25° (new) and 40°
- Dimmable
- Damp location
- Approved for enclosed fixtures ^
- Long life - 25,000 hours
- High efficiency / environmentally friendly
- Innovative design
- No UV or IR radiation
- 5 year warranty / 10 hrs. per day



Illumination		4.5W	6.5W
3.25 ft.		565 lx in Center	760 lx in Center
6.5 ft.		141 lx in Center	190 lx in Center

Beam Angle : 40°



Illumination		6.5W
3.25 ft.		475 lx in Center
6.5 ft.		118 lx in Center

Beam Angle : 25°



Item	Description	W	V	Bulb Shape	Base	Housing Finish	CCT	Lm	CRI	Beam	MOL (in.)	MOD (in.)	Life (hrs.)	UPC	Pack
S9380	4.5MR16/LED/40°/30K/120V/GU10	4.5	120	MR16	GU10	WH	3000K	360	80	40°	2.17	1.97	25K	045923093807	48/12
S9381	4.5MR16/LED/40°/50K/120V/GU10	4.5	120	MR16	GU10	WH	5000K	360	80	40°	2.17	1.97	25K	045923093814	48/12
S8676	6.5MR16/LED/25°/27K/120V/GU10	6.5	120	MR16	GU10	WH	2700K	500	80	25°	2.28	1.97	25K	045923086762	48/12
S8677	6.5MR16/LED/25°/30K/120V/GU10	6.5	120	MR16	GU10	WH	3000K	500	80	25°	2.28	1.97	25K	045923086779	48/12
S8678	6.5MR16/LED/25°/40K/120V/GU10	6.5	120	MR16	GU10	WH	4000K	500	80	25°	2.28	1.97	25K	045923086786	48/12
S8679	6.5MR16/LED/25°/50K/120V/GU10	6.5	120	MR16	GU10	WH	5000K	500	80	25°	2.28	1.97	25K	045923086793	48/12
S9382	6.5MR16/LED/40°/27K/120V/GU10	6.5	120	MR16	GU10	WH	2700K	500	80	40°	2.17	1.97	25K	045923093821	48/12
S9383	6.5MR16/LED/40°/30K/120V/GU10	6.5	120	MR16	GU10	WH	3000K	500	80	40°	2.17	1.97	25K	045923093838	48/12
S9384	6.5MR16/LED/40°/40K/120V/GU10	6.5	120	MR16	GU10	WH	4000K	500	80	40°	2.17	1.97	25K	045923093845	48/12
S9385	6.5MR16/LED/40°/50K/120V/GU10	6.5	120	MR16	GU10	WH	5000K	500	80	40°	2.17	1.97	25K	045923093852	48/12
<b>90 CRI-CEC/T20</b>															
S8588*	6.5MR16/LED/40°/27K/90CRI/GU10	6.5	120	MR16	GU10	WH	2700K	450	90	40°	2.17	1.97	25K	045923085888	48/12
S8589*	6.5MR16/LED/40°/30K/90CRI/GU10	6.5	120	MR16	GU10	WH	3000K	450	90	40°	2.17	1.97	25K	045923085895	48/12

\*For minimum compartment size of enclosed fixture visit [www.satco.com](http://www.satco.com)

# CARDED LED MR LAMPS

## Features:

- Direct replacement for halogen lamps
- 50W MR16
- 20W MR11
- Dimmable
- Damp location
- Approved for totally enclosed fixtures ^
- Up to 25,000 hours
- 3 year warranty\*



2MR11



3MR11



6.5MR16



6.5MR16



7MR16



6.5MR16



Item	Description	W	V	Bulb Shape	Base	Housing Finish	CCT	Lm	CRI	Beam	MOL (in.)	MOD (in.)	Life (hrs.)	UPC	Pack
S8603*	3MR11/LED/25'/3000K/12V	3	12	MR11	GU4	WH	3000K	210	80	25°	1.48	1.36	25K	045923086038	12/1 cd
S21741	2MR11/LED/3K/36D/12V/2PK/ND	2	12	MR11	GU4	WH	3000K	100	80	36°	1.69	1.37	15K	045923217418	24/2 cd
S21744†	5.5MR16/LED/40'/840/GU10/2PK	5.5	120	MR16	GU10	WH	4000K	500	80	40°	2.20	1.97	25K	045923217449	24/2 cd
S21745†	5.5MR16/LED/40'/850/GU10/2PK	5.5	120	MR16	GU10	WH	5000K	500	80	40°	2.20	1.97	25K	045923217456	24/2 cd
S8605**	6.5MR16/LED/40'/30K/12V	6.5	12	MR16	GU5.3	GRAY	3000K	500	80	40°	1.78	1.97	25K	045923086052	12/1 cd
S8604**	6.5MR16/LED/40'/30K/120V/GU10	6.5	120	MR16	GU10	WH	3000K	500	80	40°	2.17	1.97	25K	045923086045	12/1 cd
S21743†	5.5MR16/LED/3K/40D/GU10/2PK	5.5	120	MR16	GU10	WH	3000K	500	80	40°	2.20	1.97	25K	045923217432	24/2 cd
S21742	7MR16/LED/3K/40D/12V/2PK/ND	7	12	MR16	GU5.3	WH	3000K	600	80	40°	2.07	1.97	25K	045923217425	24/2 cd

\*For minimum compartment size of enclosed fixture visit [www.satco.com](http://www.satco.com). \*5 year warranty.

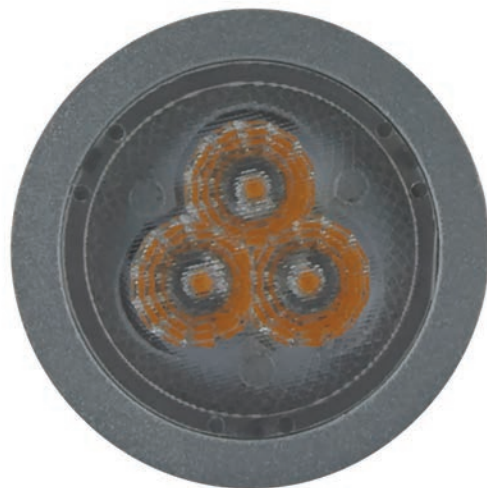
Product sheet SN1277

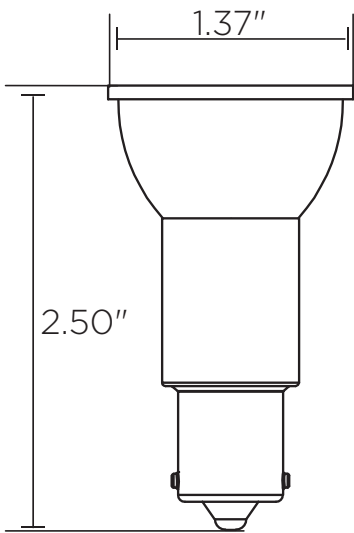
# LED ELEVATOR LAMPS



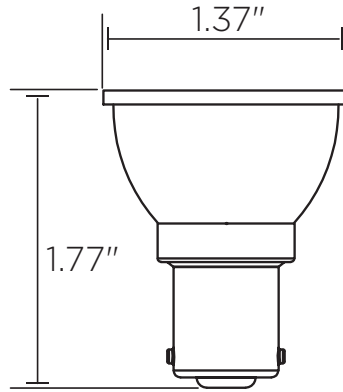
## Features:

- Direct replacement for 20W halogen lamps
- Elevators, lobbies
- Familiar look & performance
- Improved thermal management
- GBF/1383 LED direct replacement
- Long life—15,000 hours

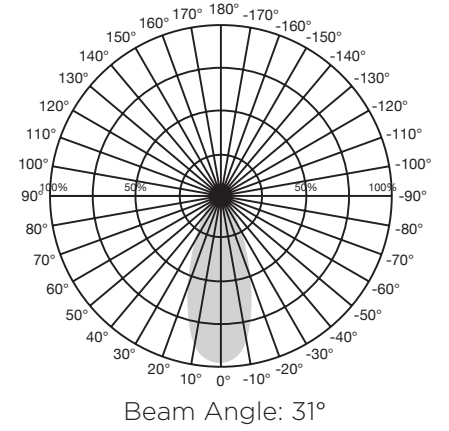




S29004



S29005



Item	Description	W	V	Bulb Shape	Base	Housing Finish	CCT	Lm	CRI	Beam	MOL (in.)	MOD (in.)	Life (hrs.)	UPC	Pack
S29004	3WLED/1383/ELEVATOR/12V AC/DC	3	12	R12	BA15s	SLV	3000K	220	80	31°	2.50	1.38	15K	045923290046	48/12
S29005	3WLED/GBF/ELEVATOR/12V AC/DC	3	12	ALR12	BA15D	SLV	3000K	220	80	31°	1.77	1.38	15K	045923290053	48/12

Indoor use only. Not for use in totally enclosed fixtures.

Product sheet SA2370

# LED PIN BASED LAMPS 12V LOW VOLTAGE HALOGEN REPLACEMENTS



## Features:

- Halogen replacement lamps
- Frosted and clear options
- 300° omni-directional light
- 25,000 life hours
- Durable commercial design



# LED PIN BASED LAMPS 12V LOW VOLTAGE HALOGEN REPLACEMENTS



Item	Description	W	V	Bulb Shape	Base	Finish	CCT	Lm	CRI	MOL (in.)	MOD (in.)	Life (hrs.)	UPC	Pack
<b>T4 - Bi-Pin G4 Base</b>														
S12310	2W/LED/G4/CL/830/12V	2	12	T4	G4	CL	3000K	170	80	1.45	0.47	25K	045923123108	200/20
<b>T5 - Bi-Pin G4 Base</b>														
S12120	3W/LED/G4/CL/830/12V/1CD	3	12	T5	G4	CL	3000K	330	80	1.69	0.63	25K	045923121203	48/12
S12121	3W/LED/G4/CL/850/12V/1CD	3	12	T5	G4	CL	5000K	330	80	1.69	0.63	25K	045923121210	48/12
S12311	3W/LED/G4/CL/830/12V	3	12	T5	G4	CL	3000K	330	80	1.69	0.63	25K	045923123115	200/20
S12312	3W/LED/G4/CL/850/12V	3	12	T5	G4	CL	5000K	330	80	1.69	0.63	25K	045923123122	200/20
S12313	3W/LED/G4/FR/830/12V	3	12	T5	G4	FR	3000K	300	80	1.69	0.63	25K	045923123139	200/20
<b>T6 - Bi-Pin G4 Base</b>														
S12314	4.5W/LED/G4/CL/830/12V	4.5	12	T6	G4	CL	3000K	430	80	1.81	0.73	25K	045923123146	200/20
S12315	4.5W/LED/G4/CL/850/12V	4.5	12	T6	G4	CL	5000K	430	80	1.81	0.73	25K	045923123153	200/20
S12122	4.5W/LED/G4/CL/830/12V/1CD	4.5	12	T6	G4	CL	3000K	430	80	1.81	0.73	25K	045923121227	48/12
S12123	4.5W/LED/G4/CL/850/12V/1CD	4.5	12	T6	G4	CL	5000K	430	80	1.81	0.73	25K	045923121234	48/12
<b>T5 - Bi-Pin GY6.35 Base</b>														
S12316	3W/LED/GY6.35/CL/830/12V	3	12	T5	GY6.35	CL	3000K	300	80	1.57	0.63	25K	045923123160	200/20
S12317	3W/LED/GY6.35/CL/850/12V	3	12	T5	GY6.35	CL	5000K	300	80	1.57	0.63	25K	045923123177	200/20
<b>T5 - Bi-Pin GY6.35 Base</b>														
S12318	4.5W/LED/GY6.35/CL/830/12V	4.5	12	T6	GY6.35	CL	3000K	430	80	1.81	0.73	25K	045923123184	200/20
S12319	4.5W/LED/GY6.35/CL/850/12V	4.5	12	T6	GY6.35	CL	5000K	430	80	1.81	0.73	25K	045923123191	200/20
S12124	4.5W/LED/GY6.35/CL/830/12V/1CD	4.5	12	T6	GY6.35	CL	3000K	430	80	1.81	0.73	25K	045923121241	48/12
S12125	4.5W/LED/GY6.35/CL/850/12V/1CD	4.5	12	T6	GY6.35	CL	5000K	430	80	1.81	0.73	25K	045923121258	48/12
S12320	6.5W/LED/GY6.35/CL/830/12V	6.5	12	T6	GY6.35	CL	3000K	650	80	3.03	0.89	25K	045923123207	200/20
S12321	6.5W/LED/GY6.35/CL/850/12V	6.5	12	T6	GY6.35	CL	5000K	650	80	3.03	0.89	25K	045923123214	200/20

\*See warranty for details at [www.satco.com](http://www.satco.com). Lamp life may vary depending on application and use.

Product sheet SA3059

# LED PIN BASED LAMPS 120V HALOGEN REPLACEMENTS

## Features:

- Halogen replacement lamps
- Frosted and clear options
- 300° omni-directional Light
- CCT selectable 2700K, 3000K, 4000K, or 5000K
- Durable commercial design



S12330  
T4 - G9 Base



S12322  
T6 - GY6.35 Base



S12326  
T6 - G8 Base



S12333  
T6 - GY9 Base



Item	Description	W	V	Bulb Shape	Base	Finish	CCT	Lm	CRI	MOL (in.)	MOD (in.)	Life (hrs.)	UPC	Pack	
<b>T4 - G9 Base</b>															
S12328	2W/LED/G9/CL/830/120V	2	120	T4	G9	CL	3000K	200	80	1.77	0.51	25000	045923123283	200/20	
S12329	2W/LED/G9/CL/850/120V	2	120	T4	G9	CL	5000K	200	80	1.77	0.51	25000	045923123290	200/20	
S12330	2W/LED/G9/FR/830/120V	2	120	T4	G9	FR	3000K	180	80	1.77	0.51	25000	045923123306	200/20	
S12128	3.5W/LED/G9/830/CL/120V/ICD	3.5	120	T4	G9	CL	3000K	330	80	2	0.71	25000	045923121289	48/12	
S12129	3.5W/LED/G9/850/CL/120V/ICD	3.5	120	T4	G9	CL	5000K	330	80	2	0.71	25000	045923121296	48/12	
S11230	3.5W/LED/G9/830/CL/120V/ND	3.5	120	T4	G9	CL	3000K	330	80	1.97	0.63	25000	045923112300	200/20	
S11231	3.5W/LED/G9/840/CL/120V/ND	3.5	120	T4	G9	CL	4000K	330	80	1.97	0.63	25000	045923112317	200/20	
S11232	3.5W/LED/G9/830/FR/120V/ND	3.5	120	T4	G9	FR	3000K	300	80	1.97	0.63	25000	045923112324	200/20	
S11233	3.5W/LED/G9/840/FR/120V/ND	3.5	120	T4	G9	FR	4000K	300	80	1.97	0.63	25000	045923112331	200/20	
S12130	5W/LED/G9/830/CL/120V/ICD	5	120	T4	G9	CL	3000K	550	80	2.17	0.75	25000	045923121302	48/12	
S12131	5W/LED/G9/850/CL/120V/ICD	5	120	T4	G9	CL	5000K	550	80	2.17	0.75	25000	045923121319	48/12	
S11234	5W/LED/G9/830/CL/120V/DIM	5	120	T4	G9	CL	3000K	550	80	2.13	0.75	25000	045923112348	200/20	
S11235	5W/LED/G9/840/CL/120V/DIM	5	120	T4	G9	CL	4000K	550	80	2.13	0.75	25000	045923112355	200/20	
S11236	5W/LED/G9/830/FR/120V/DIM	5	120	T4	G9	FR	3000K	500	80	2.13	0.75	25000	045923112362	200/20	
S11237	5W/LED/G9/840/FR/120V/DIM	5	120	T4	G9	FR	4000K	500	80	2.13	0.75	25000	045923112379	200/20	
S11238	5W/LED/G9/827/CL/120V/DIM	5	120	T4	G9	CL	2700K	500	80	2.13	0.75	25000	045923112386	200/20	
S11239	5W/LED/G9/850/CL/120V/DIM	5	120	T4	G9	CL	5000K	550	80	2.13	0.75	25000	045923112393	200/20	
<b>T6 - G9 Base</b>															
S12331	6.5W/LED/G9/CL/830/120V	6.5	120	T6	G9	CL	3000K	650	80	2.76	0.75	25000	045923123313	200/20	
S12332	6.5W/LED/G9/CL/850/120V	6.5	120	T6	G9	CL	5000K	650	80	2.76	0.75	25000	045923123320	200/20	
S12333	6.5W/LED/G9/FR/830/120V	6.5	120	T6	G9	FR	3000K	600	80	2.76	0.75	25000	045923123337	200/20	
<b>T6 - GY6.35 Base</b>															
S12322	4.5W/LED/GY6.35/CL/830/120V	4.5	120	T6	GY6.35	CL	3000K	430	80	1.81	0.73	25000	045923123221	200/20	
S12323	4.5W/LED/GY6.35/CL/850/120V	4.5	120	T6	GY6.35	CL	5000K	430	80	1.81	0.73	25000	045923123238	200/20	
<b>T6 - G8 Base</b>															
S12324	4.5W/LED/G8/CL/830/120V	4.5	120	T6	G8	CL	3000K	430	80	1.77	0.73	25000	045923123245	200/20	
S12325	4.5W/LED/G8/CL/850/120V	4.5	120	T6	G8	CL	5000K	430	80	1.77	0.73	25000	045923123252	200/20	
S12126	4.5W/LED/G8/CL/830/120V/ICD	4.5	120	T6	G8	CL	3000K	430	80	1.81	0.73	25000	045923121265	48/12	
S12127	4.5W/LED/G8/CL/850/120V/ICD	4.5	120	T6	G8	CL	5000K	430	80	1.81	0.73	25000	045923121272	48/12	
S12326	6.5W/LED/G8/CL/830/120V	6.5	120	T6	G8	CL	3000K	650	80	2.52	0.75	25000	045923123269	200/20	
S12327	6.5W/LED/G8/CL/850/120V	6.5	120	T6	G8	CL	5000K	650	80	2.52	0.75	25000	045923123276	200/20	

Product sheet SA3061

# LED HALOGEN REPLACEMENT LAMPS E11 AND E12 BASE

## Features:

- Halogen replacement lamps
- Frosted and clear options
- 300° omni-directional light
- CCT selectable 3000K or 5000K
- Durable commercial design



S12135  
T6 - E11 Base



S12345  
T6 - E12 Base



Item	Description	W	V	Bulb Shape	Base	Finish	CCT	Lm	CRI	MOL (in.)	MOD (in.)	Life (hrs.)	UPC	Pack	
<b>T6 - E11 Base</b>															
S12132	5W/LED/E11/CL/830/120V/1CD	5	120	T6	E11	CL	3000K	550	80	2.28	0.75	25000	045923121326	48/12	
S12133	5W/LED/E11/CL/850/120V/1CD	5	120	T6	E11	CL	5000K	550	80	2.28	0.75	25000	045923121333	48/12	
S12334	5W/LED/E11/CL/830/120V	5	120	T6	E11	CL	3000K	550	80	2.28	0.75	25000	045923123344	200/20	
S12335	5W/LED/E11/CL/850/120V	5	120	T6	E11	CL	5000K	550	80	2.28	0.75	25000	045923123351	200/20	
S12336	5W/LED/E11/FR/830/120V	5	120	T6	E11	FR	3000K	500	80	2.28	0.75	25000	045923123368	200/20	
S12337	5W/LED/E11/FR/850/120V	5	120	T6	E11	FR	5000K	500	80	2.28	0.75	25000	045923123375	200/20	
S12338	6.5W/LED/E11/CL/830/120V	6.5	120	T6	E11	CL	3000K	650	80	2.83	0.75	25000	045923123382	200/20	
S12339	6.5W/LED/E11/CL/850/120V	6.5	120	T6	E11	CL	5000K	650	80	2.83	0.75	25000	045923123399	200/20	
S12340	6.5W/LED/E11/FR/830/120V	6.5	120	T6	E11	FR	3000K	600	80	2.83	0.75	25000	045923123405	200/20	
S12341	6.5W/LED/E11/FR/850/120V	6.5	120	T6	E11	FR	5000K	600	80	2.83	0.75	25000	045923123412	200/20	

Product sheet SN1637

# LED HALOGEN REPLACEMENT LAMPS SINGLE AND DOUBLE CONTACT BASES

## Features:

- Halogen replacement lamps
- Frosted and clear options
- 300° omni-directional light
- CCT selectable 3000K or 5000K
- Durable commercial design



S12352  
T6 - BA15d Base

S12359  
T6 - BA15s Base



Item	Description	W	V	Bulb Shape	Base	Finish	CCT	Lm	CRI	MOL (in.)	MOD (In.)	Life (hrs.)	UPC	Pack	
<b>T6 - BA15s Base</b>															
S12138	4.5W/LED/BA15S/CL/830/12V/1CD	4.5	12	T6	BA15s	CL	3000K	430	80	2.09	0.67	25K	045923121388	48/12	
S12139	4.5W/LED/BA15S/CL/850/12V/1CD	4.5	12	T6	BA15s	CL	5000K	430	80	2.09	0.67	25K	045923121395	48/12	
S12358	4.5W/LED/BA15S/CL/830/12V	4.5	12	T6	BA15s	CL	3000K	430	80	2.11	0.73	25K	045923123580	200/20	
S12359	4.5W/LED/BA15S/CL/850/12V	4.5	12	T6	BA15s	CL	5000K	430	80	2.11	0.73	25K	045923123597	200/20	
<b>T6 - BA15d Base</b>															
S12136	5W/LED/DC/CL/830/120V/1CD	5	120	T6	BA15d	CL	3000K	550	80	2.24	0.75	25K	045923121364	48/12	
S12137	5W/LED/DC/CL/850/120V/1CD	5	120	T6	BA15d	CL	5000K	550	80	2.24	0.75	25K	045923121371	48/12	
S12350	5W/LED/DC/CL/830/120V	5	120	T6	BA15d	CL	3000K	550	80	2.24	0.75	25K	045923123504	200/20	
S12351	5W/LED/DC/CL/850/120V	5	120	T6	BA15d	CL	5000K	550	80	2.24	0.75	25K	045923123511	200/20	
S12352	5W/LED/DC/FR/830/120V	5	120	T6	BA15d	FR	3000K	500	80	2.24	0.75	25K	045923123528	200/20	
S12353	5W/LED/DC/FR/850/120V	5	120	T6	BA15d	FR	5000K	500	80	2.24	0.75	25K	045923123535	200/20	
S12354	6.5W/LED/DC/CL/830/120V	6.5	120	T6	BA15d	CL	3000K	650	80	2.83	0.75	25K	045923123542	200/20	
S12355	6.5W/LED/DC/CL/850/120V	6.5	120	T6	BA15d	CL	5000K	650	80	2.83	0.75	25K	045923123559	200/20	
S12356	6.5W/LED/DC/FR/830/120V	6.5	120	T6	BA15d	FR	3000K	600	80	2.83	0.75	25K	045923123566	200/20	
S12357	6.5W/LED/DC/FR/850/120V	6.5	120	T6	BA15d	FR	5000K	600	80	2.83	0.75	25K	045923123573	200/20	

Product sheet SN1645

# LED J-TYPE T3 LAMPS



## Features:

- Outperforms 50W and 100W halogen equivalents
- Direct replacement/energy saving
- Dimmable
- Long life
- 3 year warranty



Item	Description	W	V	Bulb Shape	Base	CCT	Lm	CRI	MOL (in.)	MOD (in.)	Life (hrs.)	UPC	Pack
S11220	6W/LED/T3/78MM/830/120V/D/CD	6	120	T3	R7S	3000K	600	80	3.07	0.98	15K	045923112201	48/12
S11221	6W/LED/T3/78MM/840/120V/D/CD	6	120	T3	R7S	4000K	600	80	3.07	0.98	15K	045923112218	48/12
S11222	10W/LED/T3/118MM/830/120V/D/CD	10	120	T3	R7S	3000K	1100	80	4.65	0.98	15K	045923112225	48/12
S11223	10W/LED/T3/118MM/840/120V/D/CD	10	120	T3	R7S	4000K	1100	80	4.65	0.98	15K	045923112232	48/12

\*For minimum compartment size of enclosed fixture visit [www.satco.com](http://www.satco.com)

Product sheet SA2520

# LED DOWNLIGHT RETROFITS - FIELD SELECTABLE



## Features:

- High efficiency/environmentally friendly
- 3 wattage selectable
- 5 CCT selectable
- 2 Styles: round & square
- 2 Styles: for 4" and 5/6"
- Standard recessed housing
- Dimmable\*
- Wet location
- ENERGY STAR® certified
- T20/T24 compliant
- Long life—50,000 hours
- 5 year warranty



# LED DOWNLIGHT RETROFITS - FIELD SELECTABLE

4" Round



5/6" Round



4" Square

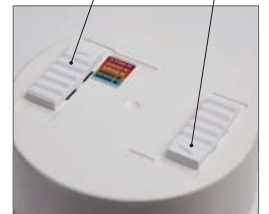


5/6" Square



CCT Select Switch

Wattage Select Switch



Color Select & Wattage Select



E26 Adapter included (S9001)



GU10 Adapter sold separately (S9000)



GU24 Adapter sold separately (S8999)



Pressure Bracket for RT5 RT6 sold separately. (80-2676)



Item	Description	Size	W	Lm	CCT	UPC	Pack
<b>Round</b>							
S18800	7.5W/5LED/RDL/4/WS/5CCT/RD	4"	5W/6W/7.5W	500/600L/700L	2700K/3000K/3500K/4000K/5000K	045923188008	16
S18801	13W/7LED/RDL/5-6/WS/5CCT/RD	5/6"	7W/10W/13W	750L/1050L/1300L	2700K/3000K/3500K/4000K/5000K	045923188015	8
<b>Square</b>							
S18802	8W/5.5LED/RDL/4/WS/5CCT/SQ	4"	5.5W/6.5W/8W	500/600L/700L	2700K/3000K/3500K/4000K/5000K	045923188022	16
S18803	14.5W/8LED/RDL/5-6/WS/5CCT/SQ	5/6"	7.5W/10.5W/14.5W	750L/1050L/1300L	2700K/3000K/3500K/4000K/5000K	045923188039	8

\*Consult Satco or visit [www.satco.com](http://www.satco.com) for an up-to-date dimmer compatibility list. See warranty for details.

Product sheet SN1272

# PLUS SERIES LED DOWNLIGHT RETROFITS - CCT SELECTABLE



## Features:

- 5 selectable CCT settings
- SKU reducer - 35 products, only 7 SKU's
- 3 Styles: round, square & gimbal
- 2 Sizes: for 4" and 5/6" standard recessed housing
- Wet location (baffles)
- Damp location (gimbals)
- ENERGY STAR® certified
- T20/T24 compliant
- Long life—50,000 hours
- 5 year warranty

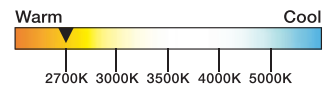


Color changeable -  
5 color temperature  
settings



**ColorQuick**

Selectable Color Technology

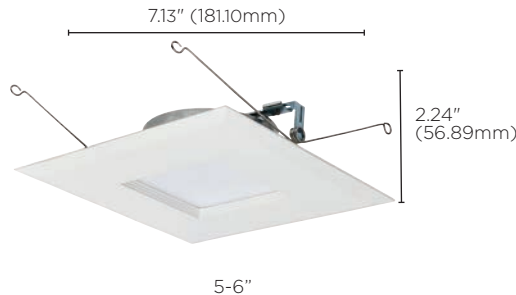


# PLUS SERIES LED DOWNLIGHT RETROFITS - CCT SELECTABLE

## ROUND



## SQUARE



## GIMBAL



E26 Adapter included (S9001)

GU10 Adapter sold separately (S9000)

GU24 Adapter sold separately (S8999)

Pressure Bracket sold separately (80-2676)



Item	Description	Size	W	CCT Selectable	Lm	UPC	Pack
<b>Round</b>							
S11800R1*†	6.7WLED/RDL/4/CCT-SEL/120V	4"	6.7	2700K/3000K/3500K/4000K/5000K	600	045923947759	16
S11801R1*†	9WLED/RDL/5-6/CCT-SEL/120V	5/6"	9	2700K/3000K/3500K/4000K/5000K	800	045923947766	8
S11825R1*†	13.7WLED/RDL/5-6/CCT-SEL/120V	5/6"	13.7	2700K/3000K/3500K/4000K/5000K	1200	045923947773	8
<b>Square</b>							
S11820R1*†	6.7WLED/RDL/SQ/4/CCT-SEL/120V	4"	6.7	2700K/3000K/3500K/4000K/5000K	600	045923947780	24
S11821R1*†	9WLED/RDL/SQ/5-6/CCT-SEL/120V	5/6"	9	2700K/3000K/3500K/4000K/5000K	800	045923947797	8
<b>Gimbal</b>							
S11822*°	7.5WLED/DIR/4/60'/CCT-SEL/120V	4"	7.5	2700K/3000K/3500K/4000K/5000K	600	045923118227	8
S11824*°	10.5WLED/DIR/5-6/90'/CCT-SEL/120V	5/6"	10.5	2700K/3000K/3500K/4000K/5000K	800	045923118241	8

\*Consult Satco or visit [www.satco.com](http://www.satco.com) for an up-to-date dimmer compatibility list. See warranty for details.

Product sheet SA3024

# CCT SELECTABLE LED DOWNLIGHT RETROFITS - COLOR TRIMS



## Features

- 5 Selectable CCT settings
- 3 new trim finishes—  
Black, bronze And brushed nickel
- 2 Sizes - 4" and 5/6"
- Standard recessed housings
- Wet location
- Dimmable
- Energy Star certified
- 50,000 hours

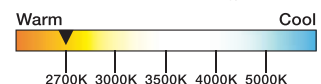


Color changeable - 5 color temperature settings



**ColorQuick**

Selectable Color Technology



# CCT SELECTABLE LED DOWNLIGHT RETROFITS - COLOR TRIMS



E26 Adapter included (S9001)

GU10 Adapter sold separately (S9000)

GU24 Adapter sold separately (S8999)

Pressure Bracket sold separately (80-2676)



Item	Description	W	V	CCT Selectable	Beam	Lm	UPC	Pack
<b>4"</b>								
S11832R1	6.7WLED/RDL/4/CCT-SEL/120V/BL	6.7	120	2700K/3000K/3500K/4000K/5000K	90°	600	045923118326	16
S11833R1	6.7WLED/RDL/4/CCT-SEL/120V/BN	6.7	120	2700K/3000K/3500K/4000K/5000K	90°	600	045923118333	16
S11834R1	6.7WLED/RDL/4/CCT-SEL/120V/BZ	6.7	120	2700K/3000K/3500K/4000K/5000K	90°	600	045923118340	16
<b>5/6"</b>								
S11835R1	9WLED/RDL/5-6/CCT-SEL/120V/BL	9	120	2700K/3000K/3500K/4000K/5000K	90°	800	045923118357	8
S11836R1	9WLED/RDL/5-6/CCT-SEL/120V/BN	9	120	2700K/3000K/3500K/4000K/5000K	90°	800	045923118364	8
S11837R1	9WLED/RDL/5-6/CCT-SEL/120V/BZ	9	120	2700K/3000K/3500K/4000K/5000K	90°	800	045923118371	8

Product sheet SA2380

# PLUS SERIES DOWNLIGHTS RETROFITS - COLOR TRIM GIMBALS - CCT SELECTABLE



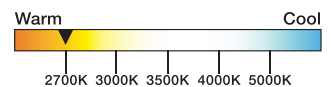
## Features

- 5 Selectable CCT settings
- 3 New trim finishes—black, bronze and brushed nickel
- 2 Sizes—4" and 5/6" standard recessed housing
- IC rated
- Damp location
- 50,000 hours
- 5 year warranty



**ColorQuick**

Selectable Color Technology



# PLUS SERIES DOWNLIGHTS RETROFITS - COLOR TRIM GIMBALS



S11854 / 4" BLACK



S11857 / 5-6" BLACK

Color changeable -  
5 color temperature settings



S11855 / 4" BRUSHED NICKEL



S11858 / 5-6" BRUSHED NICKEL



S11856 / 4" BRONZE



S11859 / 5-6" BRONZE



E26 Adapter included  
(S9001)

GU10 Adapter  
sold separately (S9000)

GU24 Adapter  
sold separately (S8999)

Torsion Springs  
sold separately (80-2709)



Item	Description	W	Finish	CCT	Lm	Beam Angle	UPC	Pack
<b>4"</b>								
S11854	7.5WLED/DIR/4/60'/CCT-SEL/120V/BL	7.5	BK	2700K/3000K/3500K/4000K/5000K	600	60°	045923118548	8
S11855	7.5WLED/DIR/4/60'/CCT-SEL/120V/BN	7.5	BN	2700K/3000K/3500K/4000K/5000K	600	60°	045923118555	8
S11856	7.5WLED/DIR/4/60'/CCT-SEL/120V/BZ	7.5	BR	2700K/3000K/3500K/4000K/5000K	600	60°	045923118562	8
<b>5-6"</b>								
S11857	10.5WLED/DIR/5-6/CCT-SEL/120V/BL	10.5	BK	2700K/3000K/3500K/4000K/5000K	800	90°	045923118579	8
S11858	10.5WLED/DIR/5-6/CCT-SEL/120V/BN	10.5	BN	2700K/3000K/3500K/4000K/5000K	800	90°	045923118586	8
S11859	10.5WLED/DIR/5-6/CCT-SEL/120V/BZ	10.5	BR	2700K/3000K/3500K/4000K/5000K	800	90°	045923118593	8

\*Consult Satco or visit [www.satco.com](http://www.satco.com) for an up to date dimmer compatibility list.

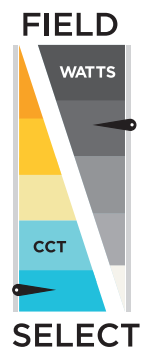
Product sheet SA2896

# PRO SERIES LED RETROFIT DOWNLIGHTS DEEP STEPPED BAFFLE | FIELD SELECTABLE



## Features:

- Field selectable (CCT & Wattage)
- Deep stepped baffle for reduced glare
- Offered in 4" & 5/6" sizes both round and square
- E26 adapter included
- Wet location rated
- Optional color trims sold separately



# PRO SERIES LED RETROFIT DOWNLIGHTS DEEP STEPPED BAFFLE | FIELD SELECTABLE



CCT Selectable



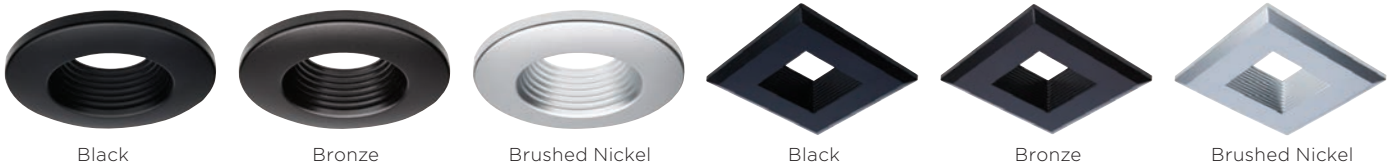
Wattage Selectable



Item	Description	Size	W	V	CCT Selectable	Lm	UPC	Pack
<b>Round</b>								
S11882	9.5WLED/DLR/4/WS/5CCT/RD/DB	4.00	5.8/7/9.5	120V	2700K/3000K/3500K/4000K/5000K	600/750/900	045923118821	16
S11883	13.5WLED/DLR/5-6/WS/5CCT/RD/DB	6.00	8/10.5/13.5	120V	2700K/3000K/3500K/4000K/5000K	800/1000/1200	045923118838	8
<b>Square</b>								
S11884	9.5WLED/DLR/4/WS/5CCT/SQ/DB	4.00	5.8/7/9.5	120V	2700K/3000K/3500K/4000K/5000K	600/750/900	045923118845	16
S11885	13.5WLED/DLR/5-6/WS/5CCT/SQ/DB	6.00	8/10.5/13.5	120V	2700K/3000K/3500K/4000K/5000K	800/1000/1200	045923118852	8

\*Visit [www.satco.com](http://www.satco.com) for an up to date dimmer compatibility list

Product sheet SNI512



## DEEP BAFFLE TRIMS

Item	Description	Size	For Use With	Finish
80-974	Deep Baffle 4" Round Trim - Black		S11882	Black
80-975	Deep Baffle 4" Round Trim - Bronze		S11882	Bronze
80-976	Deep Baffle 4" Round Trim - Brushed Nickel		S11882	Brushed Nickel
80-977	Deep Baffle 5/6" Round Trim - Black		S11883	Black
80-978	Deep Baffle 5/6" Round Trim - Bronze		S11883	Bronze
80-979	Deep Baffle 5/6" Round Trim - Brushed Nickel		S11883	Brushed Nickel
80-990	Deep Baffle 4" Square Trim - Black		S11884	Black
80-991	Deep Baffle 4" Square Trim - Bronze		S11884	Bronze
80-992	Deep Baffle 4" Square Trim - Brushed Nickel		S11884	Brushed Nickel
80-993	Deep Baffle 5/6" Square Trim - Black		S11885	Black
80-994	Deep Baffle 5/6" Square Trim - Bronze		S11885	Bronze
80-995	Deep Baffle 5/6" Square Trim - Brushed Nickel		S11885	Brushed Nickel

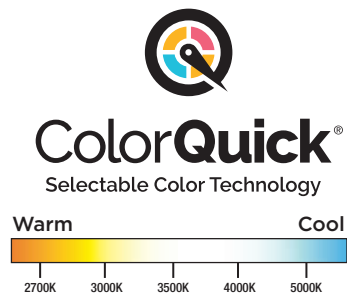
Product sheet SNI512

# LED RETROFIT DOWNLIGHTS PLUS SERIES | WAFER STYLE



## Features:

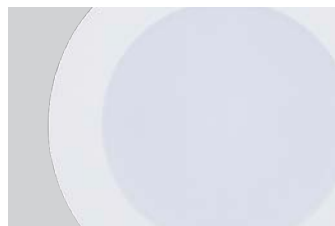
- 5 CCT selectable
- Deep stepped baffle for reduced glare
- Offered in 4" & 6" round sizes
- E26 adapter included
- Non-Conductive dead front trim
- Wet location rated



5 CCT Selectable Switch



LED Quick Connect



Flat Face Plastic Trim

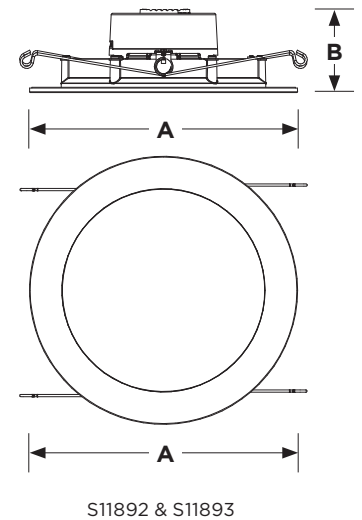
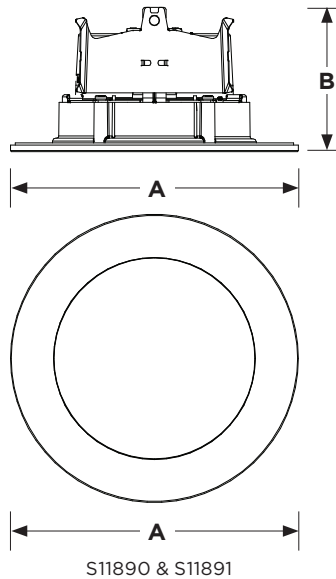


E26 Adapter



## DIMENSIONS

Item	Diameter (A)	Height (B)	Weight
S11890	5.31"	2.64"	0.47 Lbs.
S11891	5.31"	2.87"	0.47 Lbs.
S11892	7.28"	2.28"	0.62 Lbs.
S11893	7.28"	2.56"	0.64 Lbs.



Item	Description	W	V	CCT Selectable	Lm	UPC	Pack
S11890	8WLED/DLR/4/CCT-SEL/WF/RND/WH	8	120V	2700K/3000K/3500K/4000K/5000K	700	045923118906	16
S11891	8WLED/DLR/4/CCT-SEL/WR/RND/WH	8	120V	2700K/3000K/3500K/4000K/5000K	700	045923118913	16
S11892	10WLED/DLR/6/CCT-SEL/WF/RND/WH	9.5	120V	2700K/3000K/3500K/4000K/5000K	900	045923118920	8
S11893	10WLED/DLR/6/CCT-SEL/WR/RND/WH	9.5	120V	2700K/3000K/3500K/4000K/5000K	900	045923118937	8

\*Visit [www.satco.com](http://www.satco.com) for an up to date dimmer compatibility list

Product sheet SN1771

# LED RETROFIT DOWNLIGHTS PRO SERIES | WAFER STYLE



## Features:

- Field selectable (CCT & Wattage)
- Deep stepped baffle for reduced glare
- Offered in 4" & 6" round sizes
- E26 adapter included
- Non-Conductive dead front trim
- Wet location rated



5 CCT Selectable Switch and  
Wattage Selectable Switch



LED Quick Connect



Flat Face Plastic Trim



E26 Adapter



S11895



S11894



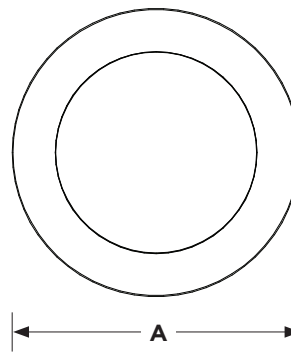
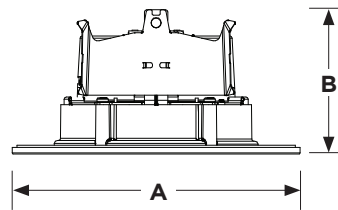
S11897



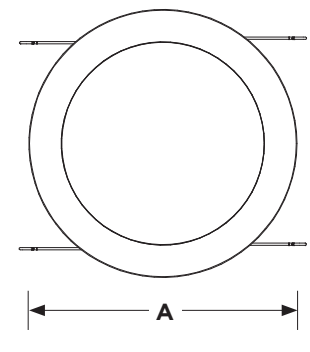
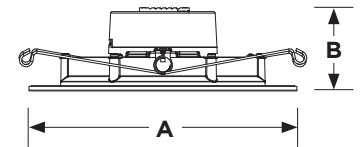
S11896

## DIMENSIONS

Item	Diameter (A)	Height (B)	Weight
S11894	5.31"	2.64"	0.43 Lbs.
S11895	5.31"	2.87"	0.44 Lbs.
S11896	7.28"	2.28"	0.55 Lbs.
S11897	7.28"	2.56"	0.56 Lbs.



S11894 & S11895



S11896 & S11897



Item	Description	W	V	CCT Selectable	Lm	UPC	Pack
S11894	9WLED/DLR/4/FS/WF/RND/WH	6.5W/8W/9.3W	120V	2700K/3000K/3500K/4000K/5000K	900	045923118944	16
S11895	9WLED/DLR/4/FS/WR/RND/WH	6.5W/8W/9.3W	120V	2700K/3000K/3500K/4000K/5000K	900	045923118951	16
S11896	13WLED/DLR/6/FS/WF/RND/WH	9W/11W/13W	120V	2700K/3000K/3500K/4000K/5000K	1400	045923118968	8
S11897	13WLED/DLR/6/FS/WR/RND/WH	9W/11W/13W	120V	2700K/3000K/3500K/4000K/5000K	1400	045923118975	8

\*Visit [www.satco.com](http://www.satco.com) for an up to date dimmer compatibility list

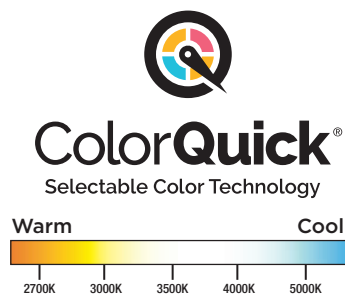
Product sheet SN1771

# RETROFIT DOWNLIGHTS HIGH LUMEN | SMOOTH BAFFLE



## Features:

- 5 CCT Selectable
- High Lumen Output 90 CRI for High Quality Lighting
- Smooth baffle with White Trim
- E26 adapter included
- c-UL-us classified
- Long life—50,000 hours
- ENERGY STAR® certified
- 5 year warranty



CCT Selectable Switch

# RETROFIT DOWNLIGHTS HIGH LUMEN | SMOOTH BAFFLE



S11646

S11647



E26 Adapter  
Included



Item	Description	Diameter (in.)	W	CCT Selectable	Lm	UPC	Pack
S11646	12.5WLED/DLR/5-6/CCT-SEL/RD/WH	7.36	12.5	2700K/3000K/3500K/4000K/5000K	1100	045923116469	12
S11647	10WLED/DLR/4/CCT-SEL/RD/WH	5.12	10	2700K/3000K/3500K/4000K/5000K	820	045923116476	24

\*Consult Satco or visit [www.satco.com](http://www.satco.com) for an up-to-date dimmer compatibility list. See warranty for details.

Product sheet SN1460

# PERFORMER SERIES DOWNLIGHT RETROFITS - SMOOTH TRIM CCT-SELECTABLE



## Features:

- Direct replacement for reflector lamps
- High efficiency/environmentally friendly
- Dimmable\*
- Wet location
- c-UL-us classified
- Long life—35,000 hours
- ENERGY STAR® certified
- 3 year warranty



E26 Adapter included

# PERFORMER SERIES DOWNLIGHT RETROFITS - SMOOTH TRIM CCT-SELECTABLE



S12604



S12601



LED Quick Connect



5 CCT Selectable Switch

- WARM WHITE - 2700K**
- SOFT WHITE - 3000K**
- NEUTRAL WHITE - 3500K**
- COOL WHITE - 4000K**
- NATURAL LIGHT - 5000K**



Item	Description	W	V	Finish	Lm	CRI	Beam	Height (in.)	Diameter (in.)	Life (hrs.)	UPC	Pack
S12600	6WLED/DLR/4/5CCT/E/RND/WH	6.5	120	WH	600	90	90°	1.48	5.3	50K	045923126000	12
S12601	6WLED/DLR/4/5CCT/E/SQ/WH	6.5	120	WH	600	90	90°	1.35	5.3	50K	045923126017	12
S12602	8WLED/DLR/5-6/5CCT/E/RND/WH	7.5	120	WH	650	90	90°	1.84	7.36	50K	045923126024	12
S12603	8WLED/DLR/5-6/5CCT/E/SQ/WH	7.5	120	WH	650	90	90°	1.43	7.36	50K	045923126031	12
S12604	10WLED/DLR/5-6/5CCT/E/RND/WH	9.5	120	WH	900	90	90°	1.84	7.36	50K	045923126048	12
S12605	10WLED/DLR/5-6/5CCT/E/SQ/WH	9.5	120	WH	900	90	90°	1.43	7.36	50K	045923126055	12

\*Consult Satco or visit [www.satco.com](http://www.satco.com) for an up-to-date dimmer compatibility list. See warranty for details.

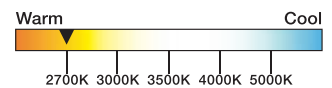
Product sheet SN1760

# RECESSED DOWNLIGHT WITH NIGHT LIGHT

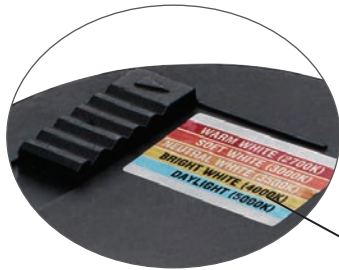


## Features:

- Integrated night light
- 65w incandescent replacement
- 5 CCT selectable
- Installs In 5/6" recessed housing
- Dual mode (standard and night)
- Dimmable (standard light mode)
- Replaces 45W and 65W reflectors



# LED RETROFIT DOWNLIGHT CCT SELECTABLE | STEPPED BAFFLE | WITH NIGHT LIGHT



**Color Selection Switch**  
 Warm white 2700K  
 Soft White 3000K  
 Neutral White 3500K  
 Bright White 4000K  
 Daylight 5000K



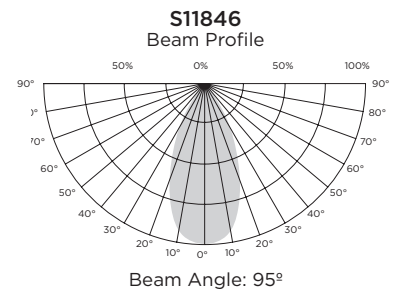
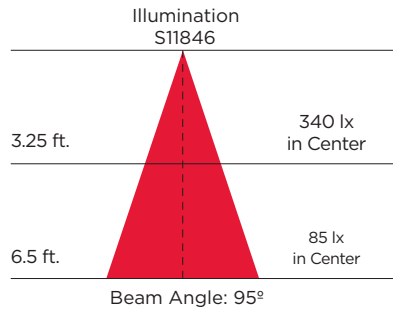
**Night Light Ring**  
 Toggle light switch to activate night light mode.



**E26 Connector included**

GU24 Adapter  
 sold separately (S8999)

Pressure Bracket  
 sold separately (80-2676)



Item	Description	Size	W	CCT Selectable	Lm	UPC	Pack
S11846	Integrated LED Recessed Downlight with Night Light Feature	5/6"	9	2700K/3000K/3500K/4000K/5000K	800	045923118463	8
	Night Light Mode			2200K	150		

Product sheet SA2934

# LED READY RECESSED CAN

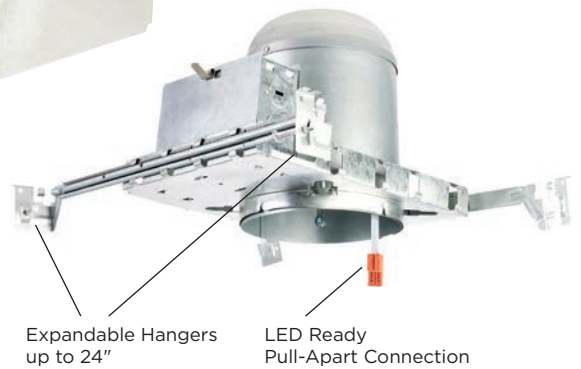


## Features:

- Air tight rated
- Damp locations
- cETLus rated

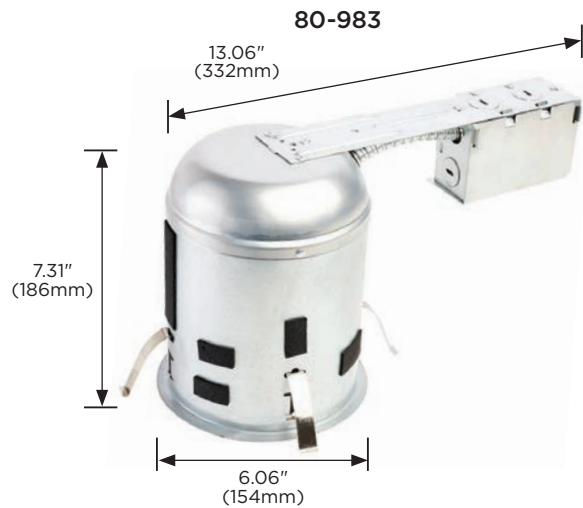
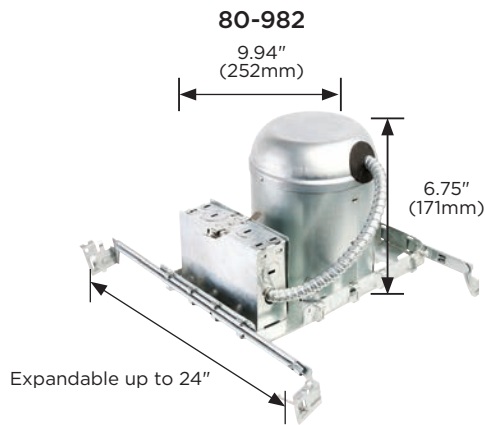
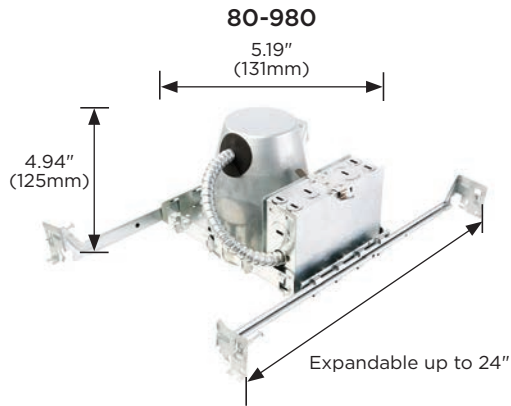


REMODEL



NEW CONSTRUCTION

# LED READY RECESSED CAN



## Dimensions

Item	Height	Length	Width
80-980	4.94"	8.125"	5.19"
80-981	5.56"	11.81"	4.75"
80-982	6.75"	9.94"	6.88"
80-983	7.31"	13.06"	6.06"
80-988	7.52"	10.79"	6.85"
80-989	7.72"	13.46"	6.77"



Item	Description	UPC	Case Quantity
80-980	4" Recessed Can for New Construction	045923809804	6
80-981	4" Recessed Can for Remodel	045923809811	6
80-982	5" Recessed Can for New Construction	045923809828	6
80-983	5" Recessed Can for Remodel	045923809835	6
80-988	6" Recessed Can; For New Construction	045923809880	6
80-989	6" Recessed Can; For Remodeling	045923809897	6

\*Consult Satco or visit [www.satco.com](http://www.satco.com) for an up-to-date dimmer compatibility list. See warranty for details.

Product sheet SA2993

# LED RETROFIT DOWNLIGHT CCT SELECTABLE | STEPPED BAFFLE | 12V



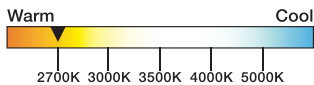
Features:

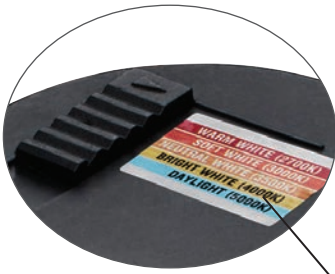
- CCT selectable
- Non-conductive dead-front trim
- Stepped baffle for reduced glare
- Dimmable
- GU5.3 bi-pin base for MR16 retrofits



**ColorQuick**

Selectable Color Technology





**Color Selection Switch**  
 Warm white 2700K  
 Soft White 3000K  
 Neutral White 3500K  
 Bright White 4000K  
 Daylight 5000K



Pin Connector

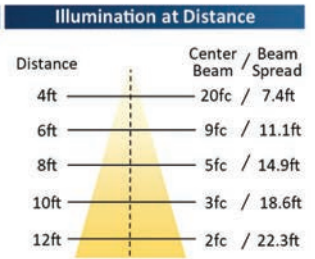
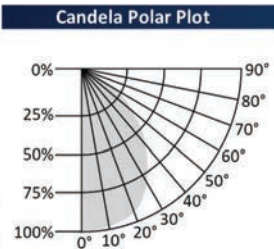


# PHOTOMETRICS

Zonal Lumens		
Zone	Lumens	%Luminaire
0-30°	231	38.0%
0-40°	361	59.4%
0-60°	548	90.3%
0-90°	608	100.0%
90-180°	0	0.3%
0-180°	608	100.0%

Lumen Multiplier				
2700K	3000K	3500K	4000K	5000K
1.00	1.04	1.08	1.08	1.04



Item	Description	W	V	CRI	CCT	Lm	Beam	Trim Finish	Trim Size (in.)	Life (hrs.)	UPC	Pack
S11838	6.5WLED/DLR/BFL/4/CCT-SEL/12V	6.5	12	90	2700K/3000K/3500K/4000K/5000K	600	85°	MWH	5.31	50K	045923118388	12

Product sheet SN1454

# LED FILAMENT HID REPLACEMENT LAMPS



## Features:

- Type B - Ballast Bypass
- Range voltage 120-277
- 360° illumination
- Up to 4KV surge protection

## Applications:

- Warehouses
- Gymnasium
- Post top lamps
- Area lighting



S13195



S13196



S13197



Wattage Selectable  
CCT Selectable



Wattage Selectable



Wattage Selectable



Item	Description	W	V	Bulb Shape	Base	Finish	CCT	Lm	CRI	MOL (in.)	MOD (in.)	Life (hrs.)	UPC	Pack
S13195	25W/LED/HID/ED28/CCT/EX39/CL	17/20.5/25	120-277	ED28	EX39	CL	3000K/4000K/5000K	3100/3700/4500	80	9.92	3.58	50K	045923131950	12
S13196	45W/LED/HID/ED28/850/EX39/CL	30/38/45	120-277	ED28	EX39	CL	5000K	5850/7400/8750	80	9.92	3.58	15K	045923131967	12
S13197	85W/LED/HID/ED37/850/EX39/CL	60/68/65	120-277	ED37	EX39	CL	5000K	11700/13200/16500	80	11.5	4.76	15K	045923131974	12

\*Non-Dimmable \*See warranty for details at [www.satco.com](http://www.satco.com)

Product sheet SN1718

# LED FILAMENT HID REPLACEMENT LAMPS (CONT.)



## Features:

- Range Voltage 120-277
- Ballast Bypass Type B
- 4kV integrated surge protection
- Resembles the true look and design of traditional HID lamps
- Suggested applications
  - Streetlights
  - Warehouses
  - Retail
  - Post top
  - Area lighting
  - Gymnasiums



Item	Description	W	V	Bulb Shape	Base	Finish	CCT	Lm	CRI	MOL (in.)	MOD (in.)	Life (hrs.)	UPC	Pack
S13183	23W/LED/HID/ED23.5/822/E26/CL	23	120-277	ED23.5	E26	CL	2200K	3400	80	7.60	2.95	50K	045923131837	12
S13184	23W/LED/HID/ED23.5/840/E26/CL	23	120-277	ED23.5	E26	CL	4000K	4000	80	7.60	2.95	50K	045923131844	12
S13185	24W/LED/HID/ED23.5/850/E26/WH	24	120-277	ED23.5	E26	WH	5000K	4000	80	7.60	2.95	50K	045923131851	12
S13186	28W/LED/HID/ED28/822/EX39/CL	28	120-277	ED28	EX39	CL	2200K	4200	80	8.40	3.54	50K	045923131868	12
S13187	28W/LED/HID/ED28/840/EX39/CL	28	120-277	ED28	EX39	CL	4000K	5000	80	8.40	3.54	50K	045923131875	12
S13188	34W/LED/HID/ED28/850/EX39/WH	34	120-277	ED28	EX39	WH	5000K	5000	80	8.40	3.54	50K	045923131882	12
S13189	34W/LED/HID/ED28/840/EX39/CL	34	120-277	ED28	EX39	CL	4000K	6000	80	8.40	3.54	50K	045923131899	12
S13198	40W/LED/HID/ED28/830/EX39/WH	40	120-277	ED28	EX39	WH	3000K	6000	80	8.40	3.54	50K	045923131981	12
S13190	40W/LED/HID/ED28/850/EX39/WH	40	120-277	ED28	EX39	WH	5000K	6000	80	8.40	3.54	50K	045923131905	12
S13191	40W/LED/HID/ED37/840/EX39/CL	40	120-277	ED37	EX39	CL	4000K	7500	80	10.30	4.70	50K	045923131912	6
S13192	45W/LED/HID/ED37/850/EX39/WH	45	120-277	ED37	EX39	WH	5000K	7500	80	10.30	4.70	50K	045923131929	6
S13193	56W/LED/HID/ED37/840/EX39/CL	56	120-277	ED37	EX39	CL	4000K	10000	80	10.30	4.70	50K	045923131936	6
S13194	62W/LED/HID/ED37/850/EX39/WH	62	120-277	ED37	EX39	WH	5000K	10000	80	10.30	4.70	50K	045923131943	6

\*Non-Dimmable \*See warranty for details at [www.satco.com](http://www.satco.com)

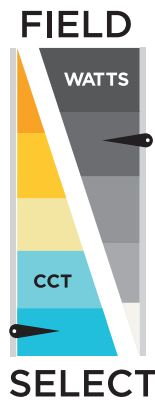
Product sheet SN1706

# WATTAGE & CCT SELECTABLE HI-PRO LAMPS

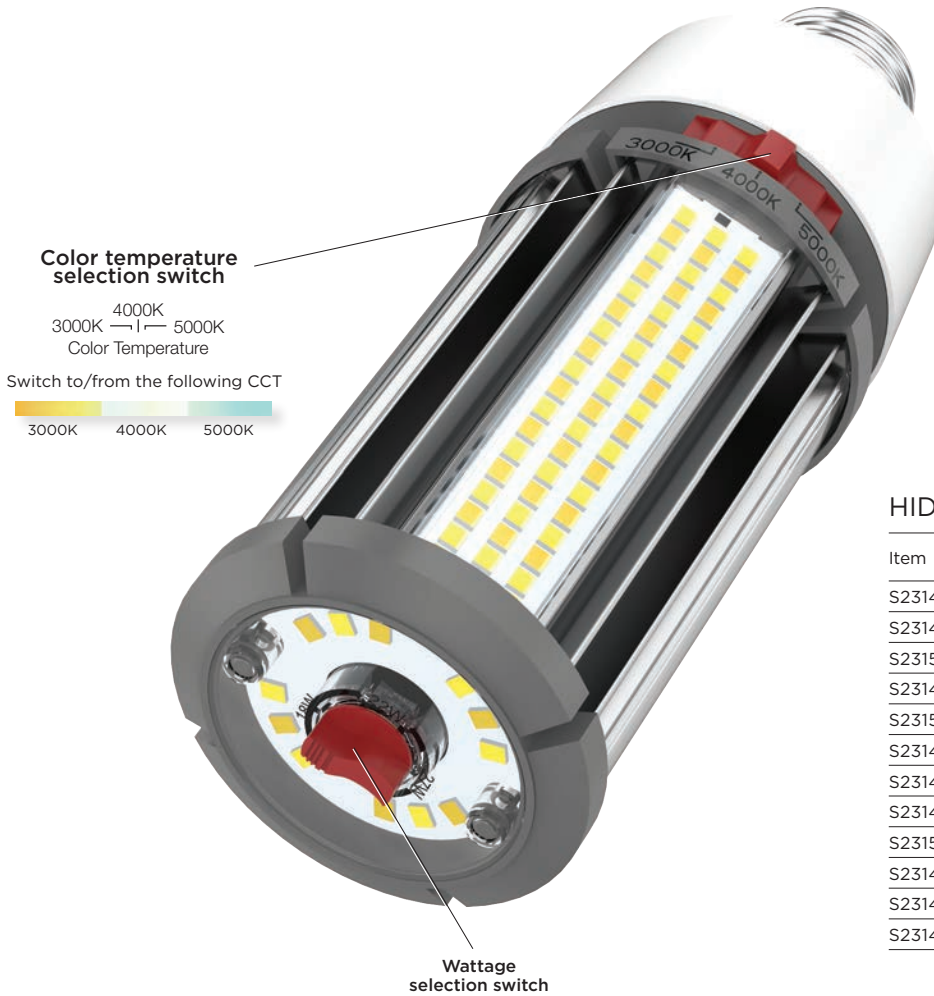


## Features:

- Built in sensor port for additional control options
- Dedicated wattage to ensure proper size lamp for the fixture
- CCT selectable
- Advanced thermal management
- 4kV built-in surge protection
- Enclosed rated
- Damp location
- DLC certified
- Long-life - 50,000 hours



# WATTAGE & CCT SELECTABLE HI-PRO LAMPS



## HID WATTAGE EQUIVALENTS

Item	HID High Watt Eq.	HID Med. Watt Eq.	HID Low Watt Eq.
S23147	22W=100W	18W=75W	16W=50W
S23148	27W=125W	22W=100W	18W=75W
S23151	27W=125W	22W=100W	18W=75W
S23149	36W=150W	27W=125W	18W=75W
S23152	36W=150W	27W=125W	18W=75W
S23140	45W=175W	36W=150W	27W=125W
S23141	45W=175W	36W=150W	27W=125W
S23142	54W=200W	45W=175W	36W=150W
S23150	63W=250W	54W=200W	45W=175W
S23143	80W=320W	63W=250W	54W=200W
S23144	100W=400W	80W=320W	63W=250W
S23145	120W=600W	100W=400W	80W=320W



Item	Description	W Selectable	V	Base Type	CCT Selectable	Lm/Wattage High/Med/Low	M.O.L. (In.)	UPC	Pack
S23147	22W/LED/HID/CCT/E26	22/18/16	100-277	E26	3000K/4000K/5000K	3080/2520/2240	6.89	045923231476	24
S23148	27W/LED/HID/CCT/E26	27/22/18	100-277	E26	3000K/4000K/5000K	3780/3080/2520	6.89	045923231483	24
S23151*	27W/LED/HID/CCT/EX39	27/22/18	100-277	EX39	3000K/4000K/5000K	3780/3080/2520	7.48	045923231513	24
S23149	36W/LED/HID/CCT/E26	36/27/18	100-277	E26	3000K/4000K/5000K	5040/3780/2520	8.27	045923231490	24
S23152**	36W/LED/HID/CCT/EX39	36/27/18	100-277	EX39	3000K/4000K/5000K	5040/3780/2520	8.50	045923231520	24
S23140	45W/LED/HID/CCT/E26	45/36/27	100-277	E26	3000K/4000K/5000K	6300/5040/3780	9.45	045923231407	12
S23141*	45W/LED/HID/CCT/EX39	45/36/27	100-277	EX39	3000K/4000K/5000K	6300/5040/3780	9.69	045923231414	12
S23142*	54W/LED/HID/CCT/EX39	54/45/36	100-277	EX39	3000K/4000K/5000K	7560/6300/5040	9.69	045923231421	12
S23150*	63W/LED/HID/CCT/EX39	63/54/45	100-277	EX39	3000K/4000K/5000K	8820/7560/6300	10.28	045923231506	12
S23143*	80W/LED/HID/CCT/EX39	80/63/54	100-277	EX39	3000K/4000K/5000K	11200/8820/7560	9.96	045923231438	4
S23144*	100W/LED/HID/CCT/EX39	100/80/63	100-277	EX39	3000K/4000K/5000K	14000/11200/8820	10.55	045923231445	4
S23145*	120W/LED/HID/CCT/EX39	120/100/80	100-277	EX39	3000K/4000K/5000K	16800/14000/11200	11.33	045923231452	4

\*360° beam spread

Product sheet SA2853

# HI LUMEN HI PRO RANGE VOLTAGE LAMPS



## Features:

- Field selectable (CCT and wattage)
- Very high lumen output
- Type B ballast bypass
- Integrated active cooling fan for advanced thermal management
- Safety cable and support bracket Included\*



\*Select Models

# HI LUMEN HI PRO RANGE VOLTAGE LAMPS



S23134



S23135



S23138



Wattage Selectable Switch



CCT Color Selectable Switch



Active Cooling Fan



Support Bracket  
(Not included with S23134)



Item	Description	HID Equiv.	W	V	Base	CCT	Lm	CRI	MOL (in.)	MOD (in.)	Life (hrs.)	Pack
S23134	150W/LED/CCT/100-277V/EX39	450	150/115/80	120-277	EX39	3000K/4000K/5000K	23045/24812/24074	80+	8.3	4.1	50K	12
S23135	200W/LED/CCT/100-277V/EX39	500	200/150/100	120-277	EX39	3000K/4000K/5000K	31203/33380/32829	80+	10.6	5.6	50K	6
S23136	270W/LED/CCT/100-277V/EX39	600	270/200/135	120-277	EX39	3000K/4000K/5000K	41911/45330/44903	80+	12.3	5.6	50K	6
S23137	270W/LED/CCT/277-480V/EX39	600	270/200/135	277-480	EX39	3000K/4000K/5000K	42426/45869/45191	80+	12.3	5.6	50K	6
S23138	360W/LED/CCT/277-480V/EX39	750	360/270/180	277-480	EX39	3000K/4000K/5000K	54766/59004/57783	80+	12.3	5.6	50K	6
S23139	450W/LED/CCT/277-480V/EX39	1000	450/338/225	277-480	EX39	3000K/4000K/5000K	68132/73158/71570	80+	12.3	5.6	50K	6

Product sheet SN1770

# HI-PRO LED LAMPS - SINGLE CCT



## Features:

- High lumen per watt ratio
- Superior LED light output
- Enclosed fixture rated
- Advanced thermal management
- Damp location



# HI-PRO LED LAMPS - SINGLE CCT



Item	Description	W	V	Base Type	CCT	Lm	HID Equivalent	CRI	KV Surge Protection	Life/ Hrs.	M.O.L. (In.)	UPC	Pack
S49671	22W/LED/HP/827/E26	22	100-277	E26	2700	2860	100W	80	2KV	35K	5.71	045923496714	24/12
S49391	22W/LED/HP/850/E26	22	100-277	E26	5000	3036	100W	80	2KV	35K	5.71	045923493911	24/12
S49672	36W/LED/HP/827/E26	36	100-277	E26	2700	4680	150W	80	3KV	35K	7.16	045923496721	12
S49392	36W/LED/HP/850/E26	36	100-277	E26	5000	4968	150W	80	3KV	35K	7.16	045923493928	12
S49738	45W/LED/HP/840/E26	45	100-277	E26	4000	6165	175W	80	3KV	35K	7.78	045923497384	12
S49739	45W/LED/HP/850/E26	45	100-277	E26	5000	6210	175W	80	3KV	35K	7.78	045923497391	12
S49673	45W/LED/HP/840/EX39	45	100-277	EX39	4000	6165	175W	80	3KV	35K	8.06	045923496738	12
S49393	45W/LED/HP/850/EX39	45	100-277	EX39	5000	6210	175W	80	3KV	35K	8.06	045923493935	12
S49674	54W/LED/HP/840/EX39	54	100-277	EX39	4000	7398	250W	80	3KV	35K	8.78	045923496745	12
S49394	54W/LED/HP/850/EX39	54	100-277	EX39	5000	7452	250W	80	3KV	35K	8.78	045923493942	12
S49675	80W/LED/HP/840/EX39	80	100-277	EX39	4000	10960	320W	80	4KV	35K	8.69	045923496752	4
S49395	80W/LED/HP/850/EX39	80	100-277	EX39	5000	11040	320W	80	4KV	35K	8.69	045923493959	4
S49676	100W/LED/HP/840/EX39	100	100-277	EX39	4000	13700	400W	80	4KV	35K	9.67	045923496769	4
S49396	100W/LED/HP/850/EX39	100	100-277	EX39	5000	13800	400W	80	4KV	35K	9.67	045923493966	4
S49677	120W/LED/HP/840/EX39	120	100-277	EX39	4000	16440	600W	80	4KV	35K	10.26	045923496776	4
S49397	120W/LED/HP/850/EX39	120	100-277	EX39	5000	16560	600W	80	4KV	35K	10.26	045923493973	4

\*See warranty for details at [www.satco.com](http://www.satco.com). Lamp life may vary depending on application and use.

Product sheet SA2553

# HI-PRO CCT SELECTABLE HIGH VOLTAGE LAMPS 277-480V



## Features:

- CCT selectable-3,000K,4,000K, 5,000K
- 277-347V and 277-480V options
- Sensor port on all 480 volt versions
- Enclosed fixture rated
- Advanced thermal management
- Damp location
- 4kV built in surge protection
- 50,000 hours



# HI-PRO CCT SELECTABLE HIGH VOLTAGE LAMPS 277-480V



## AVAILABLE HI-PRO SENSORS



80-954  
Hi-Pro WiFi  
Module



80-955  
Hi-Pro Motion  
Sensor / Infra-Red



80-956  
Hi-Pro  
Photocell



80-957  
Hi-Pro Motion  
Sensor / Microwave

## COLOR TEMPERATURE/LUMENS

Item	CCT Selectable	Lumens Low/High/Med
S23161	3000-4000-5000	3510-3780-3645
S23162	3000-4000-5000	4680-5040-4860
S23163	3000-4000-5000	5850-6300-6075
S23164	3000-4000-5000	4680-5040-4860
S23165	3000-4000-5000	5850-6300-6075
S23166	3000-4000-5000	7020-7560-7290
S23167	3000-4000-5000	10400-11200-10800
S23168	3000-4000-5000	13000-14000-13500



Item	Description	Watts	V	Base Type	CRI	Life/Hrs.	M.O.L. (In.)	UPC	Pack
S23161	27W/LED/HID/CCT/E26	27	277-347	E26	80	50K	6.76	045923231612	24/12
S23162	36W/LED/HID/CCT/E26	36	277-480	E26	80	50K	7.73	045923231629	12
S23163	45W/LED/HID/CCT/E26	45	277-480	E26	80	50K	8.91	045923231636	12
S23164†	36W/LED/HID/CCT/EX39	36	277-480	EX39	80	50K	8.35	045923231698	12
S23165†	45W/LED/HID/CCT/EX39	45	277-480	EX39	80	50K	9.53	045923231650	12
S23166†	54W/LED/HID/CCT/EX39	54	277-480	EX39	80	50K	9.53	045923231667	12
S23167†	80W/LED/HID/CCT/EX39	80	277-480	EX39	80	50K	9.88	045923231674	4
S23168†	100W/LED/HID/CCT/EX39	100	277-480	EX39	80	50K	10.46	045923231681	4

Item	Description	UPC
80-954	Hi-Pro Wi-Fi Module - (Satco STARFISH in the App store)	045923809545
80-955	Hi-Pro Motion Sensor - Infra-Red - Standby bi-level dimming	045923809552
80-956	Hi-Pro Photocell - On/Off with adjustable settings for daylight and timers	045923809563
80-957	Hi-Pro Microwave motion sensor - On/Off with standby dimming option	045923809576

Product sheet SA2903

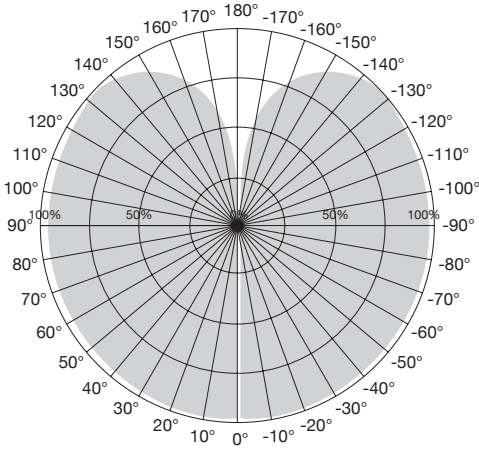
# HI-PRO LED 12-24V LOW VOLTAGE LAMPS

## Features:

- Replaces HID, CFL, and incandescent
- Approved for totally enclosed fixtures ^
- IP64/IP65
- 5000K
- Long life—50,000 hours
- 5 year limited warranty



10W



Beam Angle: 330°



14W



18W



Item	Description	HID Equiv.	W	V	Base	CCT	Lm	CRI	MOL (in.)	MOD (in.)	Life (hrs.)	UPC	Pack
S9753	10W/LED/HID/5000K/12V-24V E26	30	10	12-24	E26	5000K	1200	80+	5.81	2.44	50K	045923097539	48/1
S9754	14W/LED/HID/5000K/12V-24V E26	50	14	12-24	E26	5000K	1680	80+	6.19	2.88	50K	045923097546	48/1
S9755	18W/LED/HID/5000K/12V-24V E26	70	18	12-24	E26	5000K	2160	80+	7.00	2.88	50K	045923097553	48/12

^See warranty for details at [www.satco.com](http://www.satco.com). Lamp life may vary depending on application and use.

# HI-PRO LED MULTI-BEAM LAMPS

## Features:

- Replaces HID, CFL, and incandescent
- Direct wire range voltage 100-277V
- Approved for totally enclosed fixtures<sup>^</sup>
- High bay, low bay, hanging sockets, and post top
- 2700K or 5000K
- Multi-directional
- Light panels lock into place creating 3 separate beam angle options
- Long life—50,000 hours
- 5 year limited warranty



260° Beam



120° Beam



150° Beam



Item	Description	HID Equiv.	W	V	Base	CCT	Lm	CRI	MOL (in.)	MOD (in.)	Life (hrs.)	UPC	Pack
S39768	30W/LED/HID/MB-G3/27K/100-277V	150	30	100-277	E26	2700K	3840	80	6.69	3.31	50K	045923397684	24/6
S39750	30W/LED/HID/MB-G3/50K/100-277V	150	30	100-277	E26	5000K	4200	80	6.69	3.31	50K	045923397509	24/6
S39798	40W/LED/HID/MB-G3/27K/100-277V	175	40	100-277	EX39	2700K	5120	80	7.24	3.31	50K	045923397981	12/6
S39751	40W/LED/HID/MB-G3/50K/100-277V	175	40	100-277	EX39	5000K	5600	80	7.24	3.31	50K	045923397516	12/6
S39799	60W/LED/HID/MB-G3/27K/100-277V	250	60	100-277	EX39	2700K	7680	80	7.76	4.08	50K	045923397998	12/6
S39752	60W/LED/HID/MB-G3/50K/100-277V	250	60	100-277	EX39	5000K	8400	80	7.76	4.08	50K	045923397523	12/6
S39769	75W/LED/HID/MB-G3/50K/100-277V	400	75	100-277	EX39	5000K	10500	80	8.46	4.08	50K	045923397691	12/6
S39679	90W/LED/HID/MB-G3/50K/100-277V	600	90	100-277	EX39	5000K	12600	80	9.84	4.41	50K	045923396793	6/1

## Accessories

86-215	Hi-Pro Motion Sensor/PIR (Passive Infrared)											045923862151	
80-929	Hard Wire Surge Protector - 10kV											045923809293	
92-410	Mog to Med Socket Reducer for S39750 and S39768											045923924101	

<sup>^</sup>See warranty for details at [www.satco.com](http://www.satco.com)

Product sheet SA2678



Item	Description	Max. W	Max. V	UPC	Pack
90-483	Keyless Mogul Lamp Holder	1500	600	045923904837	0

# 60W LED MULTI-BEAM UTILITY LIGHT WITH & WITHOUT MOTION SENSOR

## Features:

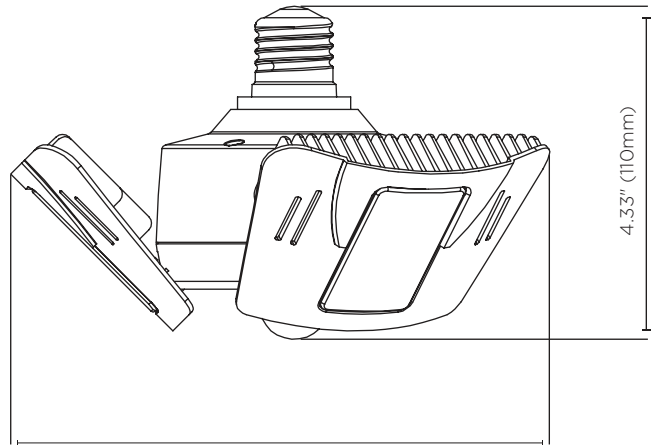
- Replaces high-wattage HID CFL & incandescent lamps, but uses only 60 watts
- LED panels adjust to 135° and a full 180°
- Rugged construction
- Built-in motion sensor option
- E26 medium base
- Direct wire range voltage 100-277V
- Damp location
- c-UL-us Listed
- 3 year warranty

## Applications:

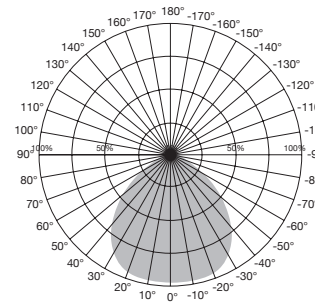
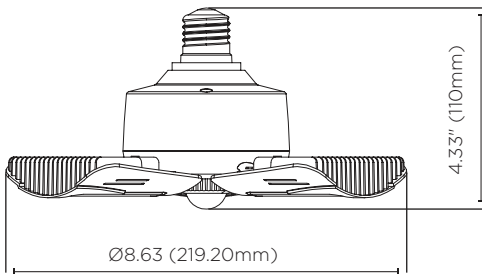
- Garage
- Barn
- Workshop
- Shed
- Utility room
- Large open spaces



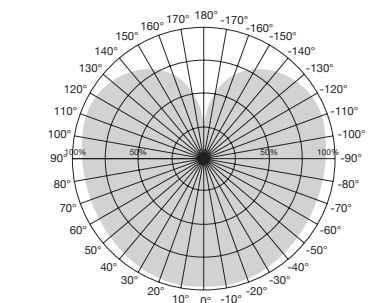
270° Beam



120° Beam



Beam Angle: 120°



Beam Angle: 270°



Item	Description	HID Equiv.	W	V	Base	CCT	Lm	CRI	MOL (in.)	MOD (in.)	Life (hrs.)	UPC	Pack
S13118	60W/LED/UTL/MB/4000K	175	60	100-277	E26	4000K	5880	80	4.06	8.63	50K	045923131189	12/1
S13119	60W/LED/UTL/MB/4000K/MOTION	175	60	100-277	E26	4000K	5880	80	4.33	8.63	50K	045923131196	12/1

Product sheet SA2320

# ADJUSTABLE LED UTILITY AND GARAGE LIGHT



Fully Closed - 300° Illumination

## Features:

- Omni-directional light Output
- Adjustable beam angle 100° - 300°
- 3" extension included

## Applications:

- Indoor residential
- Garages
- Workshops



Half Open - 240° Illumination

3" Extension included

Fully Open - 100° Illumination



4-Color Packaging for Point of Sale Purchase Opportunities



Item	Description	W	V	Base Type	CCT	Lumens	CRI	Life/Hrs.	M.O.L. (In.)	M.O.D. (In.)	UPC	Pack
S13146	30W/LED/UTL/MB/5000K	30	120	E26	5000K	3000	80	50K	4.5	13.98	045923131462	24/1
S13147	60W/LED/UTL/MB/5000K	60	120	E26	5000K	6000	80	50K	4.57	13.98	045923131479	24/1

Product sheet SNI698

# HI-PRO 360

## Features:

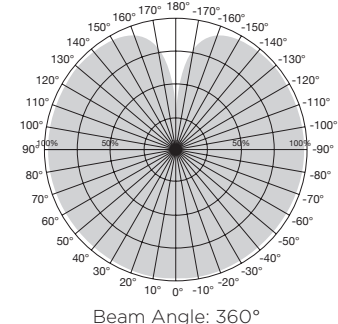
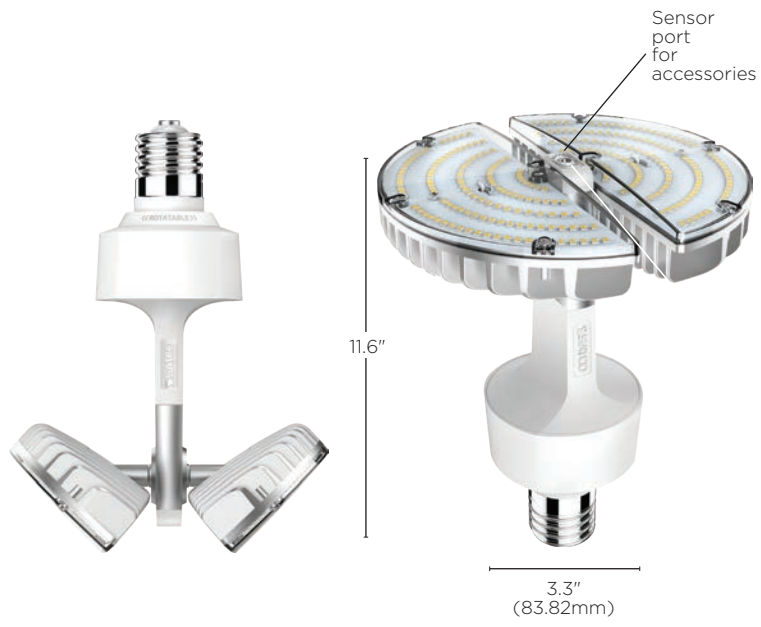
- Multi-angle rotating LED lamp with folding panel design
- Replaces HID, CFL, and incandescent
- Direct wire range voltage 100-277V
- Approved for totally enclosed fixtures\*
- 2700K 4000K or 5000K options
- Built-in 4kV surge protection
- EX39 base
- IP64/Damp location
- Long life—50,000 hours
- 5 year limited warranty

## Application:

- Indoor/outdoor direct replacement
- Street lamps/shoe box
- High bays/low bays
- Parking garages
- Commercial and industrial security
- Gymnasiums and other high ceiling applications
- Outdoor canopies



Up, down, tilt, angle one side or both—almost unlimited lighting options



Item	Description	HID Equiv.	W	V	Base	CCT	Lm	CRI	MOL (in.)	MOD (in.)	Life (hrs.)	UPC	Pack
S13120	70W/LED/HID/HP360/827/100-277V	250	70	100-277	EX39	2700K	10500	80+	11.59	7.00	50K	045923131202	8/1
S13121	70W/LED/HID/HP360/840/100-277V	250	70	100-277	EX39	4000K	10500	80+	11.59	7.00	50K	045923131219	8/1
S13122	70W/LED/HID/HP360/850/100-277V	250	70	100-277	EX39	5000K	10500	80+	11.59	7.00	50K	045923131226	8/1
S13127	100W/LED/HID/HP360/850/100-277V	350	100	100-277	EX39	5000K	15000	80+	12.35	4.60	50K	045923131271	4/1

## Accessories

80-929	Hard Wire Surge Protector - 10kV											045923809293	
80-954†	Hi-Pro Wi-Fi Module - (Satco in the App store)											045923809545	
80-956	Hi-Pro Photocell - On/Off with adjustable settings for daylight and timers											045923809563	
80-957	Hi-Pro Microwave motion sensor - On/Off with standby dimming option											045923809576	

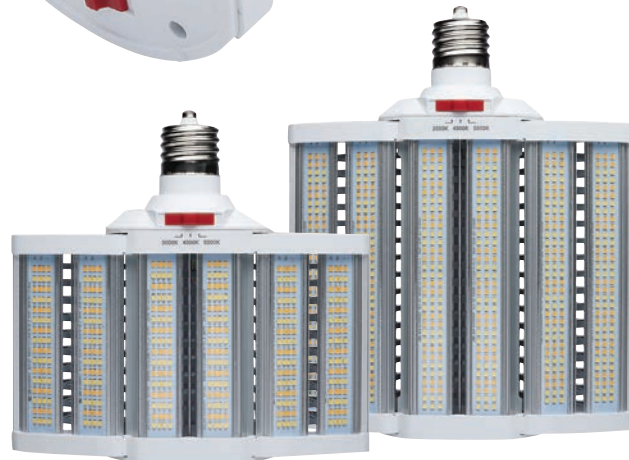
\*See warranty for details at [www.satco.com](http://www.satco.com)

# LED HI-PRO EXPANDABLE | FIELD SELECTABLE



**Features:**

- Field selectable (CCT and wattage)
- Expandable light panels
- 320° rotating EX39 base
- Integrated 4kV surge protection
- Advanced heat dissipation



\*Panels must be fully open for operation.



Item	Description	HID Equiv.	W	V	Base	CCT	Lm	CRI	MOL (in.)	MOD (in.)	Life (hrs.)	Pack
S28932R1	80W/LED/HID/SB/3CCT/EX39	200/250/320	60/70/80	120-277	EX39	3000K/4000K/5000K	9000/10150/11200	80	8.86	8.9	50K	4
S28938R1	110W/LED/HID/SB/3CCT/EX39	250/320/400	90/100/110	120-277	EX39	3000K/4000K/5000K	13500/14500/15400	80	11.26	8.9	50K	4

\*See warranty for details at [www.satco.com](http://www.satco.com)

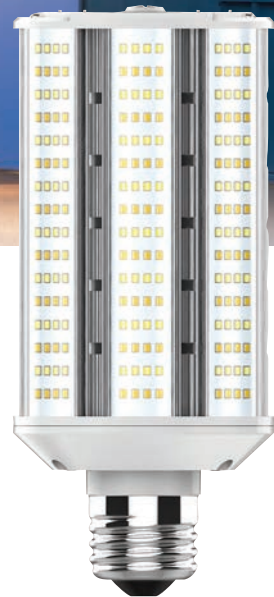
Product sheet SNI366

# HI-PRO LED CCT AND WATTAGE SELECTABLE WALL PACK



## Features:

- CCT Selectable—3000K, 4000K, 5000K
- Wattage selectable
- Enclosed fixture rated
- Advanced thermal management
- Damp location
- 4kV Built in surge protection
- DLC 5.1 (EX39)
- 50,000 hours



# HI-PRO LED CCT AND WATTAGE SELECTABLE WALL PACK



4KV SURGE PROTECTION
DAMP LOCATION
ENCLOSED FIXTURE
4KV SURGE PROTECTION
50,000 HOURS
CLASSIFIED UL US
UL LISTED
DLC LISTED

Item	Description	W	V	Base	Finish	CCT	Lm	UPC	Case Pack
S28928	20W/LED/HID/WP/CCT-SEL/E26	20-10-5	100-277	E26	White	3K-4K-5K	3000-1500-850	045923289286	24
S28980	30W/LED/HID/WP/CCT-SEL/E26	30-20-10	100-277	E26	White	3K-4K-5K	4500-3200-1700	045923289804	12
S28929	40W/LED/HID/WP/CCT-SEL/E26	40-30-20	100-277	E26	White	3K-4K-5K	6000-4700-3200	045923289293	12
S28930*	40W/LED/HID/WP/CCT-SEL/EX39	40-30-20	100-277	EX39	White	3K-4K-5K	6000-4700-3200	045923289309	12
S28987*	60W/LED/HID/WP/CCT-SEL/EX39	60-40-20	100-277	EX39	White	3K-4K-5K	9000-6500-3200	045923289873	12

\*See warranty for details at [www.satco.com](http://www.satco.com)

# HI-PRO LED HIGH BAY/ LOW BAY LAMPS



## Features

- Wattage selectable
- Replaces HID technologies
- Neck design fits most fixtures
- Advanced internal thermal management
- Wide, 120° beam angle
- Light weight
- Damp location
- 5 year warranty



# HI-PRO LED HIGH BAY/ LOW BAY LAMPS - WATTAGE SELECTABLE



Power Selectable Switch



Item	Description	W	V	Base	Max Lm	CCT	UPC	Pk
S33112	100W/LED/HID-HB/4K	100/80/60	100-277	EX39	14000	4000K	045923331121	6
S33113	100W/LED/HID-HB/5K	100/80/60	100-277	EX39	14000	5000K	045923331138	6
S33114	130W/LED/HID-HB/4K	130/100/80	100-277	EX39	18200	4000K	045923331145	6
S33115	130W/LED/HID-HB/5K	130/100/80	100-277	EX39	18200	5000K	045923331152	6
S33116	150W/LED/HID-HB/4K	150/120/100	100-277	EX39	21000	4000K	045923331169	6
S33117	150W/LED/HID-HB/5K	150/120/100	100-277	EX39	21000	5000K	045923331176	6

Product sheet SA2951

# HI-PRO LED TEMPORARY WORK LIGHT



## #16/3 Ga. SJTW-3 Orange

### Outdoor Extension Cords

Satco carries a full line of #16/3 Ga. outdoor extension cords, rugged enough for any job site. See catalog SA1700 or go to [www.satco.com](http://www.satco.com) for details.

Item	Length	Item	Length
93-5034	8 ft.	93-5006	50 ft.
93-5035	15 ft.	93-5007	100 ft.
93-5005	25 ft.		



# TEMPORARY WORK LIGHT PRO SERIES | 120-277



Folding handle with spring for easy installation and maneuverability

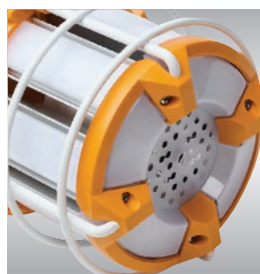
## Features:

- Range voltage 120-277
- Plug-in or direct wire
- Linkable units
- Portable, versatile
- 360° beam spread



IP65 female and male connectors for linkability

15' quick connect power cord



Construction allows for rapid heat dissipation



120V adaptor included (277V adaptor sold separately)



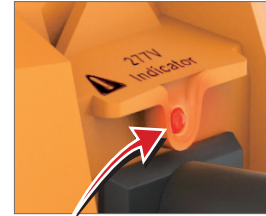
Item	Description	W	V	Base	CCT	Lm	CRI	Diameter	Height	Life (hrs.)	UPC	Pack
S13170	60W/LED/HID/TEMP/850/120-277V	60	120-277	Plug	5000K	6000	80	5.12	9.17	50K	045923131707	4
S13171	100W/LED/HID/TEMP/850/120-277V	100	120-277	Plug	5000K	10000	80	5.12	10.94	50K	045923131714	4
S13172	150W/LED/HID/TEMP/850/120-277V	150	120-277	Plug	5000K	15000	80	5.12	12.13	50K	045923131721	4

Product sheet SN1693

# HI-PRO LED TEMPORARY WORK LIGHT PLUS SERIES | 120V



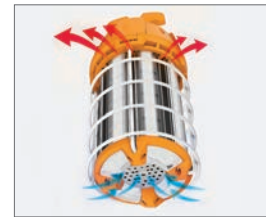
Center hole and T-Bar handle with trigger allows for secure installations from a carabiner hook and even light distribution



Warning light to show 277V input, preventing misuse of the connecting outlet



Improved durability of the protective cage



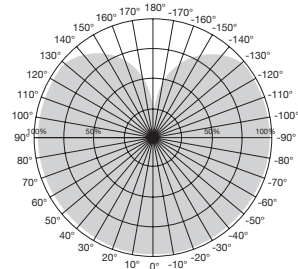
Enhanced passive heat sink design



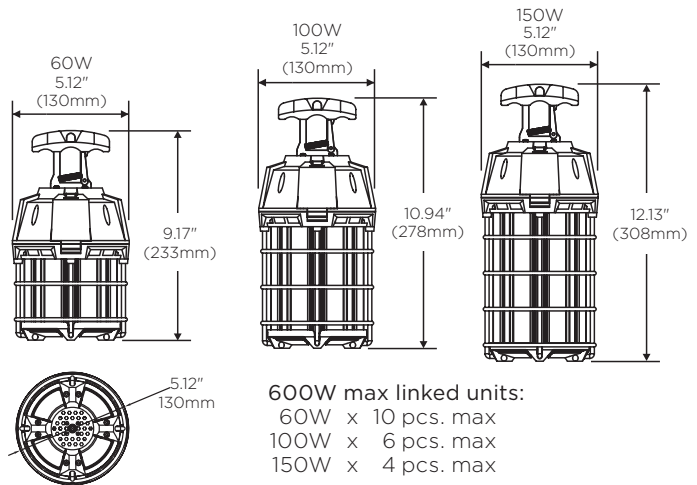
Linkable for longer runs from one power supply 6 foot cord included..

## Features:

- Durable, lightweight with high impact cage
- Energy-efficient, high lumen LED lighting
- Omni-directional 300° beam angle
- Grounded 3-prong plug
- T-handle for mounting



Beam Angle: 300°



Item	Description	HID Equiv.	W	V	Base	CCT	Lm	CRI	MOL (in.)	MOD (in.)	Life (hrs.)	UPC	Pack
S38939	60W/LED/HID/TEMP/5K/120V	200	60	120	Plug	5000K	6000	80	9.20	5.12	50K	045923389399	4
S38946	100W/LED/HID/TEMP/5K/120V	400	100	120	Plug	5000K	10000	80	10.90	5.12	50K	045923389467	4
S38975	150W/LED/HID/TEMP/5K/120V	600	150	120	Plug	5000K	15000	80	12.10	5.12	50K	045923389757	4

Product sheet SA2703

# TEMPORARY WORK LIGHT PERFORMER SERIES | 120V



**Features:**

- | Linkable units
- | Easy installation
- | Lightweight and portable
- | 360° beam spread
- | High lumen output



Item	Description	HID Equiv.	W	V	Base	CCT	Lm	CRI	Diameter	Height	Life (hrs.)	UPC	Pack
S13173	100W/LED/HID/ECO/TEMP/850/120V	400	100	120	Plug	5000K	12000	80	5.43	9.74	30K	045923131738	4
S13174	150W/LED/HID/ECO/TEMP/850/120V	600	150	120	Plug	5000K	18000	80	5.43	11.51	30K	045923131745	4

Product sheet SN1704

# HI-PRO WATTAGE SELECTABLE WORK LIGHT 120-277V



## Features:

- High lumen LED for industrial & commercial applications
- 60W/80W/100W selectable
- IP65
- Replaces HID, CFL, and incandescent
- Work light with hook and 25' cord
- 120-277V
- Easy installation, portable, flexible
- 360 degree illumination
- Suitable for construction areas
- Outdoor activity lighting
- Light weight



# HI-PRO WATTAGE SELECTABLE WORK LIGHT 120-277V



Includes 25' Cord



Power select:  
60W/80W/100W Selectable



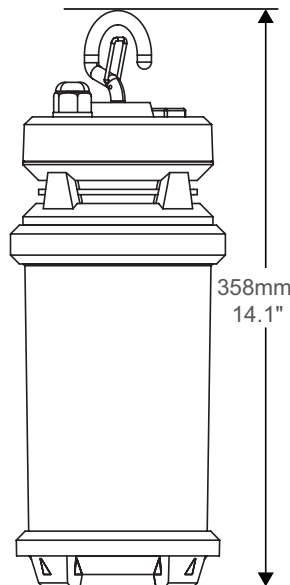
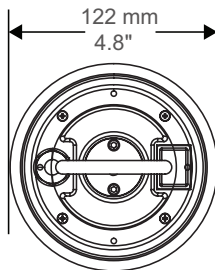
IP65



High resistance PC  
material to protect the top  
and bottom of the cage



Enhanced passive  
heat sink design



Item	Description	HID Equiv.	W	V	Base	CCT	Lm	CRI	Life (hrs.)	UPC	Pack
S13159	100W/LED/HID/IP65/TEMP/120-277V	300	100/80/60	120-277	Plug	5000K	11000/9200/7200	80	50K	045923131592	4

Product sheet SA2960

# LED HI-PRO TEMPORARY STRING LIGHTS



## Features:

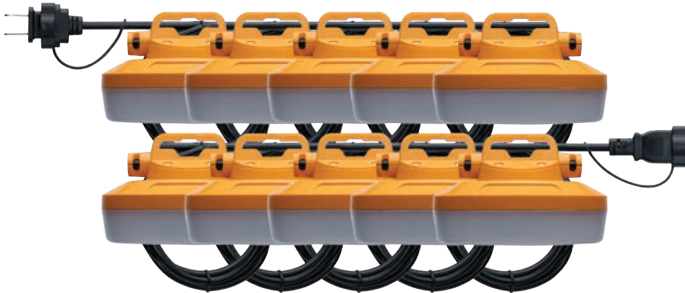
- Convenient hanging hooks on each lamp
- Durable 18/2 SJTW cord
- Low profile lamps
- Impact resistant lens
- Link additional sets for up to 300 ft. of illumination



# LED HI-PRO TEMPORARY STRING LIGHTS



50' length with 5 lamps



100' length with 10 lamps



Removable Carabiner Clip Included



Item	Description	W	V	Base	Finish	CCT	Lm	CRI	Life (hrs.)	UPC	Pack
S13168	50-FT/LED/5PC/TEMP/STR/60W	60	120	Plug	OR	5000K	7000	80	18K	045923131684	2
S13169	100-FT/LED/10PC/TEMP/STR/120W	120	120	Plug	OR	5000K	14000	80	18K	045923131691	2

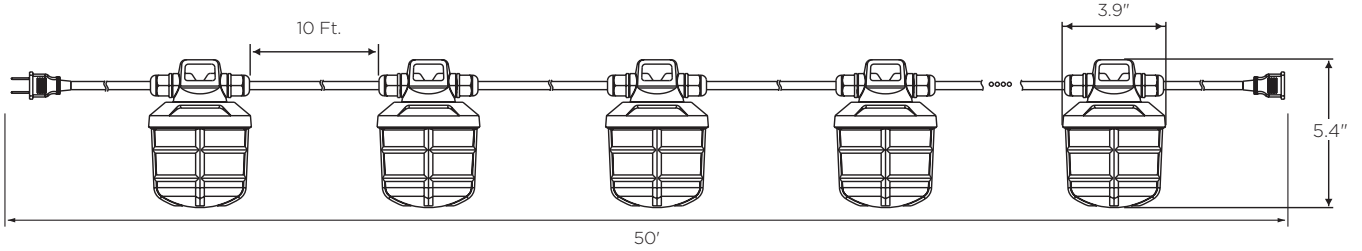
Product sheet SN1678

# HI-PRO TEMPORARY CONSTRUCTION STRING LIGHT SET - 50FT.

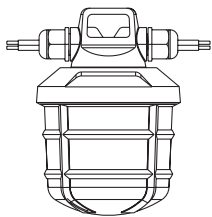


## Features:

- For use in any commercial work area
- 5 Lights per string
- 50 Watt/6000 lumens per string
- 10 ft. between lights
- Linkable up to 6 sets
- Replaces HID, CFL and incandescent
- 300° omni-directional light
- Portable/plug-in, 120V
- IP65—water and dust proof
- 18 AWG cable



5 x 10W Lamps

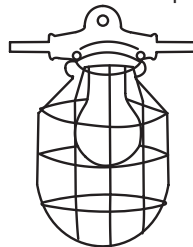


Total 50W

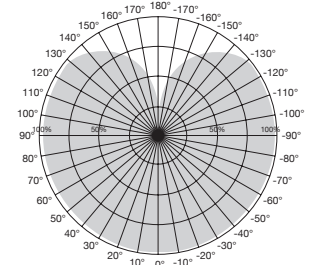
Replace



5 x 75W Lamps



Total 375W



Beam Angle: 360°



Item	Description	HID Equiv.	W	V	Base	CCT	Lm	CRI	Length	Life (hrs.)	UPC	Pack
S28976	50-FT/LED/5PC/TEMP/STRING/120V	200	50	120	Plug	5000K	6000	80	50'	50K	045923289767	2/1

Product sheet SA2716

# CFL REPLACEMENT LAMPS CCT SELECTABLE | UNIVERSAL OPERATION



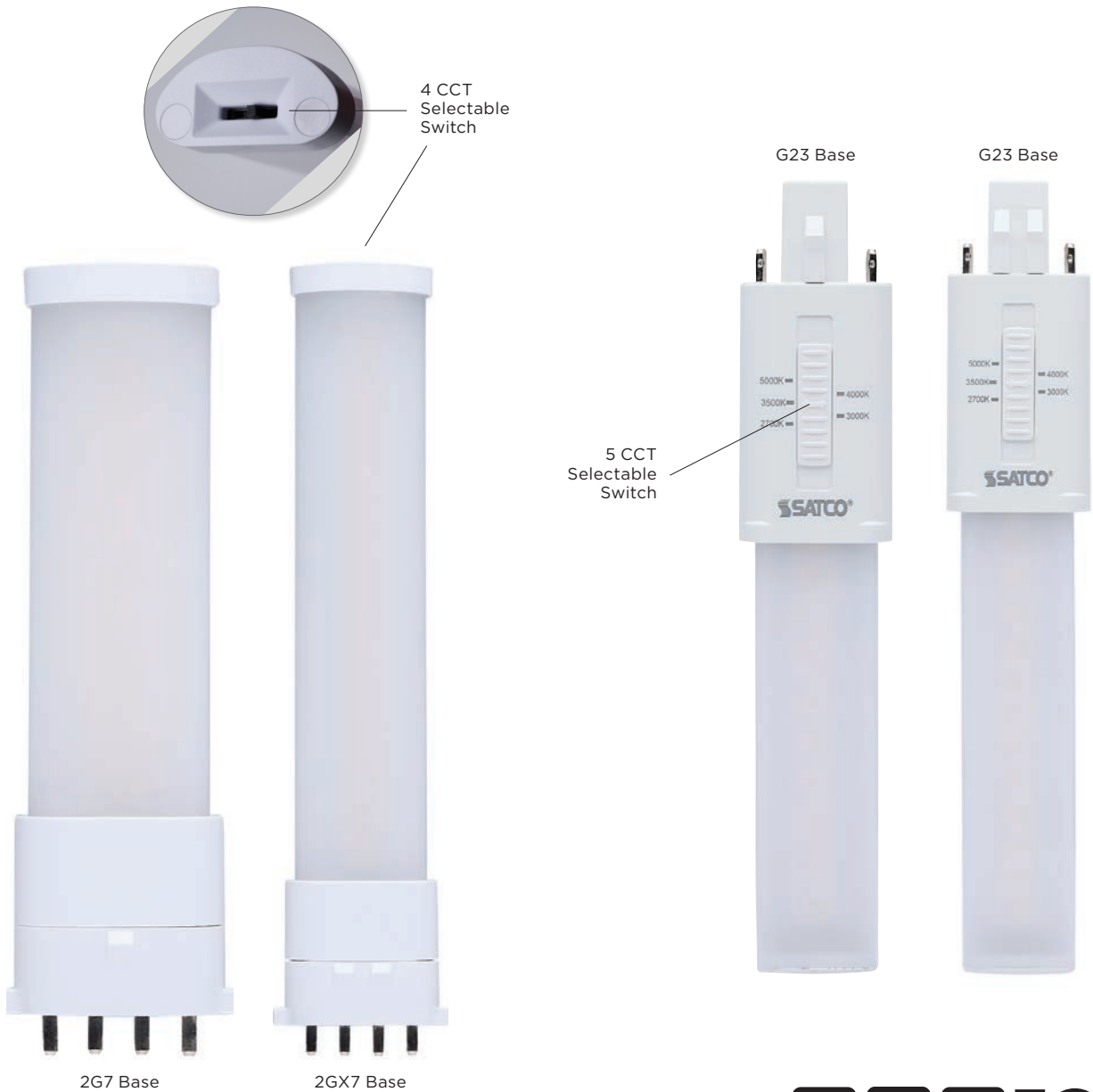
## Features

- CCT selectable
- Type B ballast bypass
- Four different pin-based model options



**ColorQuick**<sup>®</sup>  
Selectable Color Technology

# CFL REPLACEMENT LAMPS CCT SELECTABLE | UNIVERSAL OPERATION



Item	Description	W	V	Bulb Shape	Base	Finish	CCT	Lm	CRI	Beam	MOL (in.)	Life (hrs.)	Pack
S11555	3.5W/LED/CFL/CCT/2G7/BP	3.5	120-277	PL	2G7	FR	2700K/3000K/3500K/4000K	380/390/400/410	80	120°	4.74	50K	50/10
S11556	5.5W/LED/CFL/CCT/2GX7/BP	5.5	120-277	PL	2GX7	FR	2700K/3000K/3500K/4000K	600/620/630/650	80	120°	6.51	50K	50/10
S18405	4.5W/LED/CFL/CCT/G23/BP	4.5	120-277	PL	G23	FR	2700K/3000K/3500K/4000K/5000K	450/475/500/500/475	80+	360°	6.50	50K	50/10
S28730	6W/LED/CFL/5CCT/G23/BP	6	120-277	PL	GX23	FR	2700K/3000K/3500K/4000K/5000K	600/625/650/650/625	80+	360°	7.09	50K	50/10

Product sheet SN1750

# LED/CFL BALLAST BYPASS TYPE B REPLACEMENT LAMPS 2-PIN G23, GX23 BASE



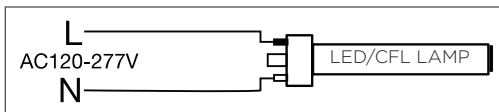
## Features

- 4.5W G23 replaces 5W, 7W & 9W CFL
- 6W GX23 replaces 13W CFL
- 2-Sided illumination
- Instant on to full brightness / no flickering
- Vertical or horizontal applications
- Up to 50% energy saving
- c-UL-us classified
- Long life—50,000 hours
- 5 year warranty

# LED/CFL BALLAST BYPASS TYPE B REPLACEMENT LAMPS 2-PIN G23, GX23 BASE



2 - Sided illumination



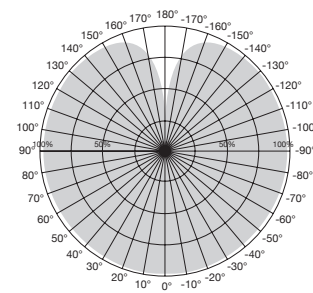
Wiring diagram



G23 Base



GX23 Base



Beam Angle: 360°



4.5 Watts

6 Watts



Item	Description	W	V	Bulb Shape	Base	Finish	CCT	Lm	CRI	Beam	MOL (in.)	Life (hrs.)	UPC	Pack
<b>5, 7, 9 Watt Replacement</b>														
S18400*	4.5W/LED/CFL/827/G23/BP	4.5	120-277	PL	G23	FR	2700K	450	80	360°	6.54	50K	045923184000	50/10
S18401*	4.5W/LED/CFL/830/G23/BP	4.5	120-277	PL	G23	FR	3000K	450	80	360°	6.54	50K	045923184017	50/10
S18402*	4.5W/LED/CFL/835/G23/BP	4.5	120-277	PL	G23	FR	3500K	450	80	360°	6.54	50K	045923184024	50/10
S18403*	4.5W/LED/CFL/840/G23/BP	4.5	120-277	PL	G23	FR	4000K	450	80	360°	6.54	50K	045923184031	50/10
S18404*	4.5W/LED/CFL/850/G23/BP	4.5	120-277	PL	G23	FR	5000K	450	80	360°	6.54	50K	045923184048	50/10
<b>13 Watt Replacement</b>														
S28725	6W/LED/CFL/827/GX23/BP/G2	6	120-277	PL	GX23	FR	2700K	600	80	360°	7.09	50K	045923287251	50/10
S28726	6W/LED/CFL/830/GX23/BP/G2	6	120-277	PL	GX23	FR	3000K	600	80	360°	7.09	50K	045923287268	50/10
S28727	6W/LED/CFL/835/GX23/BP/G2	6	120-277	PL	GX23	FR	3500K	600	80	360°	7.09	50K	045923287275	50/10
S28728	6W/LED/CFL/840/GX23/BP/G2	6	120-277	PL	GX23	FR	4000K	600	80	360°	7.09	50K	045923287282	50/10
S28729	6W/LED/CFL/850/GX23/BP/G2	6	120-277	PL	GX23	FR	5000K	600	80	360°	7.09	50K	045923287299	50/10

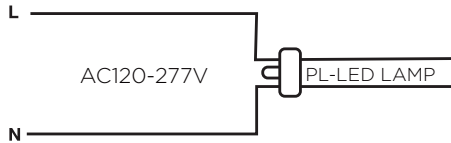
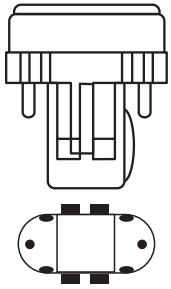
\*cETLus

Product sheet SA2685

# LED/CFL DUAL MODE LAMPS (BALLAST BYPASS TYPE B/ BALLAST COMPATIBLE TYPE A)

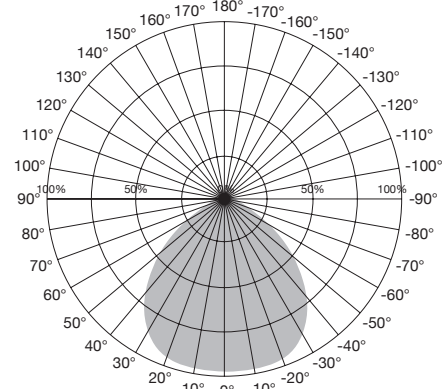
## Features:

- Direct replacements for 13 watt CFL GX23 base lamps in existing fixtures with or without ballasts.\*
- Over 50% energy savings vs. standard
- Ballast compatible and ballast bypass in one lamp
- Instant-on full brightness / no flickering
- 120-277V in bypass mode
- Damp location
- Long life—50,000 hours
- c-UL-us listed - Type A
- c-UL-us classified - Type B
- 5 year warranty



Wiring diagram - bypass mode





Beam Angle: 120°



Item	Description	W	V	Bulb Shape	Base	Finish	CCT	Lm	CRI	Beam	MOL (in.)	Life (hrs.)	UPC	Pack
<b>13 Watt Replacement</b>														
S11550	5.5W/LED/CFL/827/2P/DUAL	5.5	120-277	PL	GX23	FR	2700K	500	80	120°	5.98	50K	045923115509	50/10
S11551	5.5W/LED/CFL/830/2P/DUAL	5.5	120-277	PL	GX23	FR	3000K	500	80	120°	5.98	50K	045923115516	50/10
S11552	5.5W/LED/CFL/835/2P/DUAL	5.5	120-277	PL	GX23	FR	3500K	500	80	120°	5.98	50K	045923115523	50/10
S11553	5.5W/LED/CFL/840/2P/DUAL	5.5	120-277	PL	GX23	FR	4000K	550	80	120°	5.98	50K	045923115530	50/10
S11554	5.5W/LED/CFL/850/2P/DUAL	5.5	120-277	PL	GX23	FR	5000K	550	80	120°	5.98	50K	045923115547	50/10

\*Visit [www.satco.com](http://www.satco.com) for an approved ballast list.

Product sheet SA2668

# LED/CFL BALLAST BYPASS TYPE B REPLACEMENT LAMPS



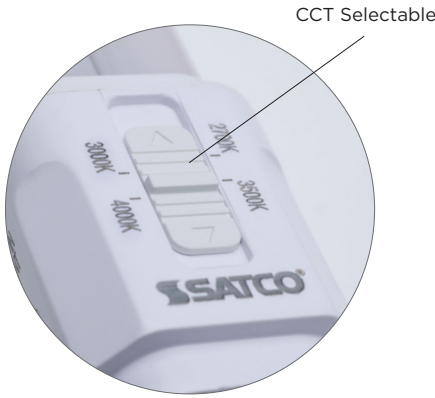
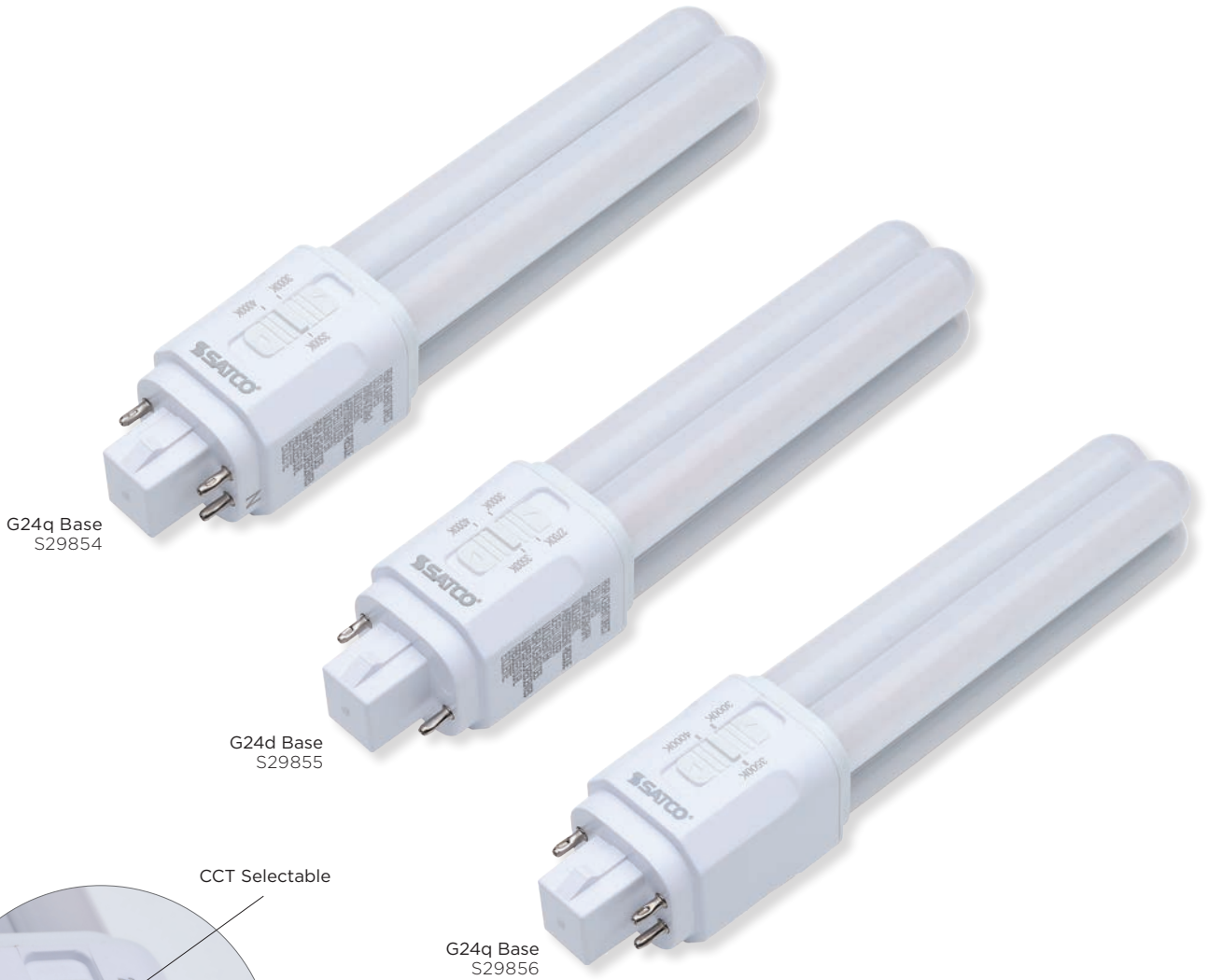
## Features

- CCT Selectable
- Type A/B, Type A, or Type B
- Ballast Bypass options
- G24q (4-pin) and G24d (2-Pin) models
- Suitable for use in enclosed fixtures



**ColorQuick**<sup>®</sup>  
Selectable Color Technology

# LED/CFL BALLAST - CCT SELECTABLE BYPASS TYPE A, B, AND A+B REPLACEMENT LAMPS












Item	Description	W	V	Bulb Shape	Base	Finish	CCT	Lm	CRI	Beam	MOL (in.)	Life (hrs.)	Pack
*S29854	9.5W/LED/CFL/3CCT/DUAL/4P	9.5	120-277	PL	G24q	FR	3000K/3500K/4000K	1100/1150/1200	80	360°	6.9	50K	24
^S29855	9W/LED/CFL/4CCT/BP/2P	9	120-277	PL	G24d	FR	2700K/3000K/3500K/4000K	1050/1100/1150/1200	80	360°	6.9	50K	24
+S29856	9.5W/LED/CFL/3CCT/DR/4P	9.5	Ballast Dependent	PL	G24q	FR	3000K/3500K/4000K	1100/1150/1200	80	360°	6.9	50K	24

Product sheet SN1747

# LED/CFL TYPE A DIRECT REPLACEMENT LAMPS

## 4-PIN (ELECTRONIC BALLASTS)

## 2-PIN (MAGNETIC BALLASTS)

### Features:

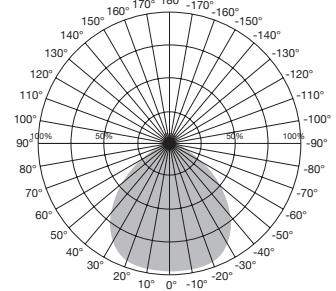
- 4-pin 26, 32, 42 watt direct replacement
- 2-pin 26 watt direct replacement
- 4-pin lamps fit G24q-3 & GX24q-3 and GX24q-4 sockets
- 2-pin lamps fit G24d-3 sockets
- No re-wiring needed
- Instant on to full brightness / no flickering
- Vertical and horizontal options
- Up to 70% energy saving
- DLC listed♦ (4-pin only)
- c-UL-us listed
- Long life—50,000 hours
- 5 year warranty



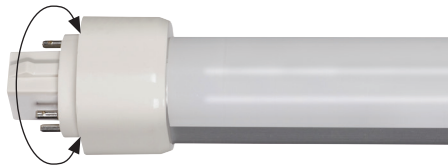
G24Q

G24D

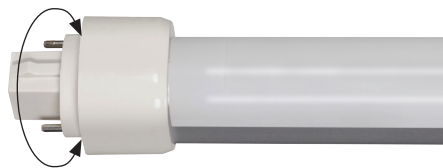
For vertical applications



Beam Angle: 120°



G24Q



G24D

Rotates 270° when installed  
For horizontal applications



Item	Description	W	Base	Finish	CCT	Lm	CRI	Beam	MOL (in)	Life (hrs.)	UPC	Pack
<b>4-Pin Horizontal</b>												
S29850♦	9WPLH/LED/830/DR/4P	9	G24q	FR	3000K	1050	82	120°	6.63	50K	045923298509	50/10
S29851♦	9WPLH/LED/835/DR/4P	9	G24q	FR	3500K	1050	82	120°	6.63	50K	045923298516	50/10
S29852♦	9WPLH/LED/840/DR/4P	9	G24q	FR	4000K	1100	82	120°	6.63	50K	045923298523	50/10
S29853♦	9WPLH/LED/850/DR/4P	9	G24q	FR	5000K	1100	82	120°	6.63	50K	045923298530	50/10
<b>2-Pin Horizontal</b>												
S9854	9WPLH/LED/830/DR/2P	9	G24d	FR	3000K	850	82	120°	6.63	50K	045923098543	50/10
S9855	9WPLH/LED/835/DR/2P	9	G24d	FR	3500K	850	82	120°	6.63	50K	045923098550	50/10
S9856	9WPLH/LED/840/DR/2P	9	G24d	FR	4000K	900	82	120°	6.63	50K	045923098567	50/10
S9857	9WPLH/LED/850/DR/2P	9	G24d	FR	5000K	900	82	120°	6.63	50K	045923098574	50/10
<b>4-Pin Vertical</b>												
S29858♦	9WPLV/LED/830/DR/4P	9	G24q	FR	3000K	1050	82	120°	4.69	50K	045923298585	50/10
S29859♦	9WPLV/LED/835/DR/4P	9	G24q	FR	3500K	1050	82	120°	4.69	50K	045923298592	50/10
S29860♦	9WPLV/LED/840/DR/4P	9	G24q	FR	4000K	1100	82	120°	4.69	50K	045923298608	50/10
S29861♦	9WPLV/LED/850/DR/4P	9	G24q	FR	5000K	1100	82	120°	4.69	50K	045923298615	50/10
<b>2-Pin Vertical</b>												
S9862	9WPLV/LED/830/DR/2P	9	G24d	FR	3000K	850	82	120°	4.69	50K	045923098628	50/10
S9863	9WPLV/LED/835/DR/2P	9	G24d	FR	3500K	850	82	120°	4.69	50K	045923098635	50/10
S9864	9WPLV/LED/840/DR/2P	9	G24d	FR	4000K	900	82	120°	4.69	50K	045923098642	50/10
S9865	9WPLV/LED/850/DR/2P	9	G24d	FR	5000K	900	82	120°	4.69	50K	045923098659	50/10

Product sheet SA1979

# PL/LED BALLAST BYPASS TYPE B REPLACEMENT LAMPS

## Features:

- UL classified
- 2-pin replacement for up to 26 watt pin based CFL, uses only 9 watts
- 2-pin LED lamps works in both 2-pin (magnetic) and 4-pin (electronic) sockets
- G24d (2-pin)—18 and 26W rep.
- G24q (4-pin)—13, 18, and 26 rep.
- Direct wire 120-277V
- Instant on to full brightness / no flickering
- Rotates up to 270° for various fixture applications
- Vertical and horizontal options
- Up to 70% energy saving
- Damp location
- Long life—50,000 hours
- 5 year warranty

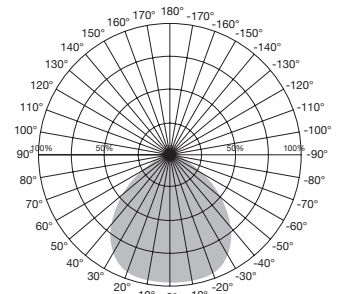
For vertical applications



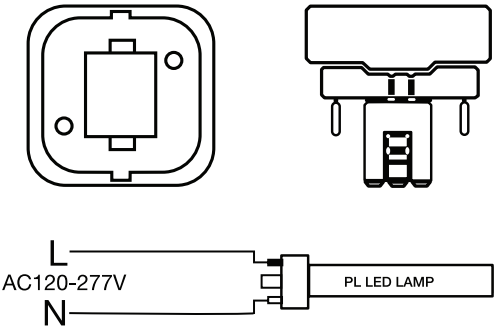
Rotates 270° when installed



For horizontal applications



Beam Angle: 120°



Item	Description	W	V	Bulb Shape	Base	Finish	CCT	Lm	CRI	Beam	MOL (in.)	Life (hrs.)	UPC	Pack
<b>Horizontal</b>														
S8530	9WPLH/LED/827/BP/2P	9	120-277	PL	G24d	FR	2700K	900	82	120°	6.63	50K	045923085307	50/10
S8531	9WPLH/LED/830/BP/2P	9	120-277	PL	G24d	FR	3000K	950	82	120°	6.63	50K	045923085314	50/10
S8532	9WPLH/LED/835/BP/2P	9	120-277	PL	G24d	FR	3500K	950	82	120°	6.63	50K	045923085321	50/10
S8533	9WPLH/LED/840/BP/2P	9	120-277	PL	G24d	FR	4000K	1000	82	120°	6.63	50K	045923085338	50/10
S8534	9WPLH/LED/850/BP/2P	9	120-277	PL	G24d	FR	5000K	1000	82	120°	6.63	50K	045923085345	50/10
<b>Vertical</b>														
S8535	9WPLV/LED/827/BP/2P	9	120-277	PL	G24d	FR	2700K	900	82	120°	4.69	50K	045923085352	50/10
S8536	9WPLV/LED/830/BP/2P	9	120-277	PL	G24d	FR	3000K	950	82	120°	4.69	50K	045923085369	50/10
S8537	9WPLV/LED/835/BP/2P	9	120-277	PL	G24d	FR	3500K	950	82	120°	4.69	50K	045923085376	50/10
S8538	9WPLV/LED/840/BP/2P	9	120-277	PL	G24d	FR	4000K	1000	82	120°	4.69	50K	045923085383	50/10
S8539	9WPLV/LED/850/BP/2P	9	120-277	PL	G24d	FR	5000K	1000	82	120°	4.69	50K	045923085390	50/10

Product sheet SA2328

# LED DUAL POSITION PL LAMPS CCT SELECTABLE - TYPE A+B



90° Rotatable Head



Rotatable Base

- WARM WHITE - 2700K
- SOFT WHITE - 3000K
- NEUTRAL WHITE - 3500K
- COOL WHITE - 4000K
- NATURAL LIGHT - 5000K

## Features:

- 90° rotatable and lockable head and end-cap
- Extendable base for horizontal applications
- 26W & 42W CFL replacements
- Dual mode: Type A + B
- 5 CCT selectable

Extended End Cap

Item	Description	Lumens	W	CFL Replacement Wattage	MOL (in.)	MOD (in.)	Base	UPC	Pack
S21410	9PL/LED/HV/5CCT/A B/G24Q	1,100	9	26W CFL	6.76	2.36	G24q (4-pin)	045923211478	50/10
S21411	9PL/LED/HV/5CCT/A B/G24D	1,100	9	26W CFL	6.76	2.36	G24d (2-pin)	045923211485	50/10
S21412	16PL/LED/HV/5CCT/A B/G24Q	1,850	16	42W CFL	6.76	2.36	G24q (4-pin)	045923211645	50/10

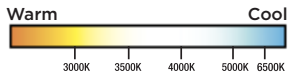


Product sheet SA2685

# LED PL LAMPS HIGH LUMEN | CCT SELECTABLE - TYPE B



**ColorQuick®**  
Selectable Color Technology



**Features:**

- | 5 CCT selectable
- | High lumen output
- | 300° beam angle
- | Rated for extreme temperatures
- | Type B



Item	Description	Max. Lumens	W	Fluorescent Replacement Wattage	CCT	Input Current @ 120V/277V	UPC	Pack
S21413	14W/PL/LED/HL/5CCT/G24	1,820	14	26W	3000K/3500K/4000K/5000K/6500K	0.12/0.05A	045923215728	24
S21414	18W/PL/LED/HL/5CCT/G24	2,340	18W	32W	3000K/3500K/4000K/5000K/6500K	0.15/0.07A	045923215735	24
S21415	22W/PL/LED/HL/5CCT/G24	2,860	22	42W	3000K/3500K/4000K/5000K/6500K	0.18/0.08A	045923215742	24

Product sheet SA3023

# CFL REPLACEMENT LAMPS CCT SELECTABLE | UNIVERSAL OPERATION



## Features:

- 320° Beam Angle
- 22W & 26W CFL replacements
- GX32d-2 & GX32d-3 Models
- Type B Ballast Bypass
- 3 CCT selectable





**CCT Selectable Switch**  
 2700K-Warm White  
 4000K-Cool White  
 5000K-Natural Light

**GX32d - 2** | **GX32d - 3**  
 2-Pin Base | 3-Pin Base











Item	Description	W	Replacement Wattage	Bulb Shape	Base	Finish	CCT	Lm	CRI	Beam	MOL (in.)	Life (hrs.)	Pack
S11545	14W/LED/CFL/3CCT/BP/GX32D-2	14	22	PL	GX32d-2	FR	2700K/4000K/5000K	1400	80+	320°	6.3	15K	10
S11546	18W/LED/CFL/3CCT/BP/GX32D-3	18	28	PL	GX32d-3	FR	2700K/4000K/5000K	1800	80+	320°	6.89	15K	10

Product sheet SN1809

# LED PLL LAMPS CCT SELECTABLE | TYPE B



## Features

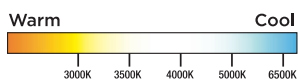
- 5 CCT selectable
- Type B ballast bypass
- Suitable for use in enclosed fixtures
- Shatterproof



CCT Selectable



**ColorQuick**  
Selectable Color Technology



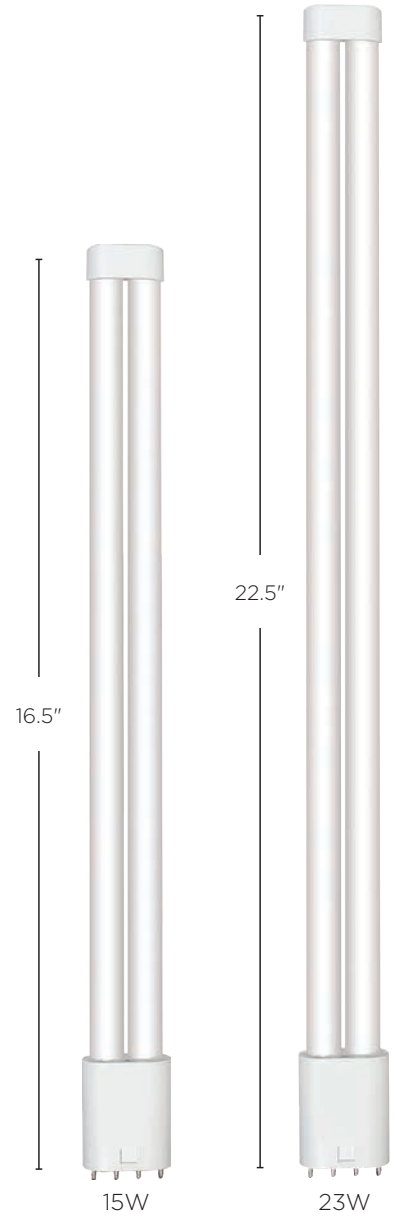
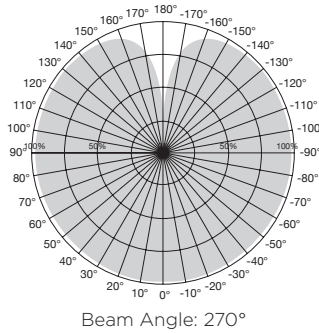
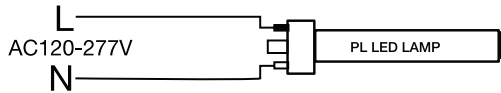
Item	Description	W	V	Bulb Shape	Base	Finish	CCT	Lm	CRI	Beam	MOL (in.)	MOD (in.)	Life (hrs.)	Pack
S18420	8.5PLL/LED/5CCT/BP	8.5	120-277	T5	2G11	FR	3000/3500/4000/5000/6500	930/950/980/980/980	80	115°	8.9	1.72	50K	20/10
S18421	10PLL/LED/5CCT/BP	10	120-277	T5	2G11	FR	3000/3500/4000/5000/6500	1180/1200/1250/1250/1250	80	115°	12.7	1.72	50K	20/10
S18422	16PLL/LED/5CCT/BP	16	120-277	T5	2G11	FR	3000/3500/4000/5000/6500	1900/1950/2000/2000/2000	80	115°	16.4	1.72	50K	20/10
S18423	20PLL/LED/5CCT/BP	20	120-277	T5	2G11	FR	3000/3500/4000/5000/6500	2650/2700/2800/2800/2800	80	140°	22.5	1.72	50K	20/10

Product sheet SN1703

# 2G11 PLL 36W & 40W TYPE B BALLAST BYPASS REPLACEMENT FOR 4-PIN PL-L

Features:

- Direct wire 120-277V
- All glass tube
- Over 40% energy savings
- Instant on to full brightness/no flickering
- c-UL-us classified
- Long life—50,000 hours
- 5 year warranty



Item	Description	W	V	Bulb Shape	Base	Finish	CCT	Lm	CRI	Beam	MOL (in.)	Life (hrs.)	UPC	Pack
<b>15W Replaces 36W PLL</b>														
S9952	15PLL/LED/835/BP	15	120-277	T5	2G11	FR	3500K	1900	80	270°	16.50	50K	045923099526	10
S9953	15PLL/LED/840/BP	15	120-277	T5	2G11	FR	4000K	2000	80	270°	16.50	50K	045923099533	10
<b>23W Replaces 40W PLL</b>														
S9950*	23PLL/LED/835/BP	23	120-277	T5	2G11	FR	3500K	2800	82	270°	22.50	50K	045923099502	10
S9951*	23PLL/LED/840/BP	23	120-277	T5	2G11	FR	4000K	2800	82	270°	22.50	50K	045923099519	10

Product sheet SA2194

# LED T8 LAMPS TYPE A | CCT SELECTABLE

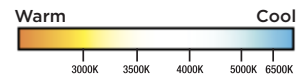


## Features:

- | Plug & Play T8 replacements
- | 5 CCT selectable
- | Offered in 2', 3' and 4' lengths



**ColorQuick®**  
Selectable Color Technology



Item	Description	W	CCT	Bulb Shape	Base	Finish	Lm	CRI	Beam	MOL (in.)	Life (hrs.)	Pack
S21915	8T8/LED/24/5CCT/DR	8	3000K/3500K/4000K/5000K/6500K	T8	G13	FR	1300/1325/1375/1375/1350	83	220°	24.00	50K	25
S21916	11T8/LED/36/5CCT/DR	11	3000K/3500K/4000K/5000K/6500K	T8	G13	FR	1650/1700/1750/1750/1700	83	220°	36.00	50K	25
S21917	10T8/LED/48/5CCT/DR	10	3000K/3500K/4000K/5000K/6500K	T8	G13	FR	1700/1750/1850/1850/1800	83	220°	48.00	50K	25
S21918	13T8/LED/48/5CCT/DR	13	3000K/3500K/4000K/5000K/6500K	T8	G13	FR	2100/2150/2250/2250/2200	83	220°	48.00	50K	25
S21919	17T8/LED/48/5CCT/DR	17	3000K/3500K/4000K/5000K/6500K	T8	G13	FR	2450/2500/2650/2650/2600	83	220°	48.00	50K	25

Product sheet SN1712

# CCT SELECTABLE T8 TYPE A - 2 PACK

Easy color temperature selection



**Features:**

2-Packs

- 3 - CCT selectable  
4000K, 5000K, 6500K
- Ballast bypass replaces 4' T8 & T12
- Ballast compatible replaces T8 on electronic IS & RS ballasts
- Single sleeve or Retail-Ready 2-Pack
- All glass tube
- 5 year warranty



Item	Description	W	Base	Finish	CCT	Max Lm	CRI	Beam	MOL (in.)	Life (hrs.)	UPC	Pack
<b>Direct Replacement - Ballast Compatible</b>												
S11918	10T8/LED/48/840-850-865/DR	10	G13	WH	4000K/5000K/6500K	1800	83	220°	48	50K	045923119682	10/2

Product sheet SA2845

# T8 LED 2', 3', & 4' TYPE A LAMPS - BALLAST COMPATIBLE

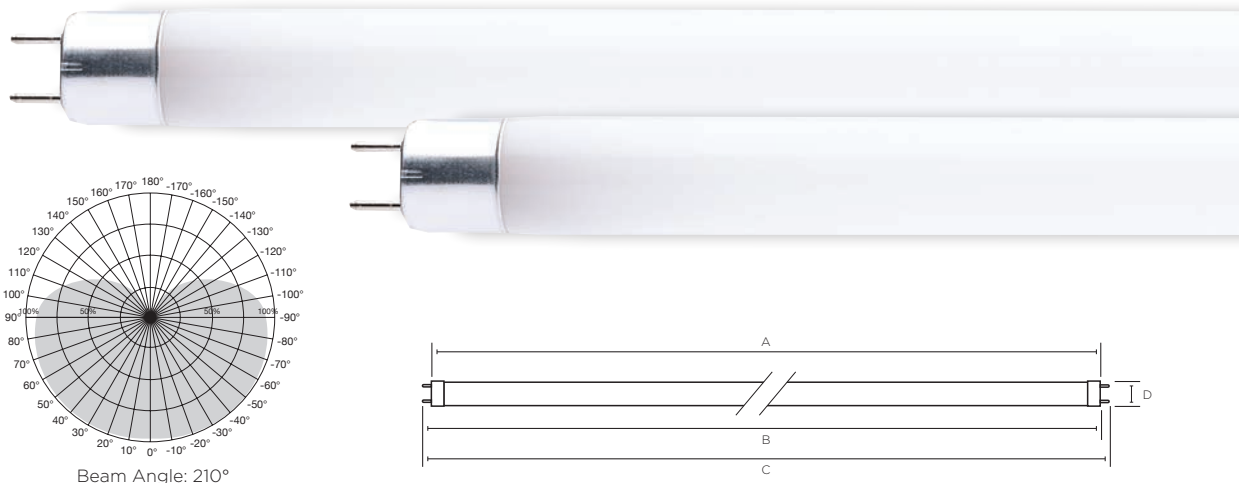


## Features:

- High efficiency - up to 163 LPW
- Plug and play replacement\*
- All glass tubes: no aging, yellowing or bending
- Integrated thermal fuse at pins
- DLC 5.1
- Operating temperature range:  $-20^{\circ}\text{C}(-4^{\circ}\text{F})$  to a maximum of  $+45^{\circ}\text{C}(+113^{\circ}\text{F})$
- Long life—50,000 hours
- Compatible with most instant start, rapid start T8 electronic ballasts and some emergency and dimming ballasts\*
- Approved for use with tube guards when operated on low or normal ballast factor systems

\*May not be compatible with all IS, RS, DM and EM ballasts. Visit [www.satco.com](http://www.satco.com) for an approved list.

# T8 LED 2', 3', & 4' TYPE A LAMPS - BALLAST COMPATIBLE



Beam Angle: 210°

Size	WATTAGE	A		B		C		D	
		Min (inch)	Max (inch)	Min (inch)	Max (inch)	Min (inch)	Max (inch)	Min (inch)	Max (inch)
2 Foot	8W	—	23.21	23.40	23.50	23.67	23.78	0.98	1.02
3 Foot	10W	—	35.22	35.40	35.50	35.67	35.78	0.98	1.02
4 Foot	9.5W/11W/14W	—	47.22	47.40	47.50	47.67	47.78	0.98	1.02



Item	Description	W	Base	Finish	CCT	Lm	CRI	Beam	MOL (in)	Nominal (in)	Life (hrs.)	UPC	Pack
<b>2' LED 8W T8</b>													
S49946	8T8/LED/24-830/DR	8	G13	WH	3000K	1250	82	210°	23.78	24.00	50K	045923499463	25
S49947	8T8/LED/24-835/DR	8	G13	WH	3500K	1250	82	210°	23.78	24.00	50K	045923499470	25
S49948	8T8/LED/24-840/DR	8	G13	WH	4000K	1250	82	210°	23.78	24.00	50K	045923499487	25
S49949	8T8/LED/24-850/DR	8	G13	WH	5000K	1250	82	210°	23.78	24.00	50K	045923499494	25
<b>3' LED 10W T8</b>													
S49990	10T8/LED/36-830/DR	10	G13	WH	3000K	1450	82	210°	35.78	36.00	50K	045923499906	25
S49991	10T8/LED/36-835/DR	10	G13	WH	3500K	1450	82	210°	35.78	36.00	50K	045923499913	25
S49992	10T8/LED/36-840/DR	10	G13	WH	4000K	1450	82	210°	35.78	36.00	50K	045923499920	25
S49993	10T8/LED/36-850/DR	10	G13	WH	5000K	1450	82	210°	35.78	36.00	50K	045923499937	25
<b>4' LED 9.5W T8</b>													
S11740R1	9.5/T8/LED/48-830/DR	9.5	G13	WH	3000K	1740	82	210°	47.78	48.00	50K	045923402913	25
S11741R1	9.5/T8/LED/48-835/DR	9.5	G13	WH	3500K	1740	82	210°	47.78	48.00	50K	045923402920	25
S11742R1	9.5/T8/LED/48-840/DR	9.5	G13	WH	4000K	1740	82	210°	47.78	48.00	50K	045923402937	25
S11743R1	9.5/T8/LED/48-850/DR	9.5	G13	WH	5000K	1740	82	210°	47.78	48.00	50K	045923402944	25
<b>4' LED 11W T8</b>													
S49934R1	11/T8/LED/48-830/DR	11	G13	WH	3000K	1800	82	210°	47.78	48.00	50K	045923402951	25
S49935R1	11/T8/LED/48-835/DR	11	G13	WH	3500K	1800	82	210°	47.78	48.00	50K	045923402968	25
S49936R1	11/T8/LED/48-840/DR	11	G13	WH	4000K	1800	82	210°	47.78	48.00	50K	045923402975	25
S49937R1	11/T8/LED/48-850/DR	11	G13	WH	5000K	1800	82	210°	47.78	48.00	50K	045923402982	25
<b>4' LED 14W T8</b>													
S49975R1	14/T8/LED/48-830/DR	14	G13	WH	3000K	2200	82	210°	47.78	48.00	50K	045923402999	25
S49976R1	14/T8/LED/48-835/DR	14	G13	WH	3500K	2200	82	210°	47.78	48.00	50K	045923403187	25
S49977R1	14/T8/LED/48-840/DR	14	G13	WH	4000K	2200	82	210°	47.78	48.00	50K	045923403194	25
S49978R1	14/T8/LED/48-850/DR	14	G13	WH	5000K	2200	82	210°	47.78	48.00	50K	045923403200	25

Product sheet SA2756

# LED T8 LINEAR LAMPS TYPE B - BALLAST BYPASS - CCT SELECTABLE



## Features:

- CCT selectable -  
3000K/3500K/4000K  
5000K/6500K
- Direct replacement for  
fluorescent T8 lamps
- Ballast bypass installation
- Single or double-ended wiring\*
- 5 year warranty



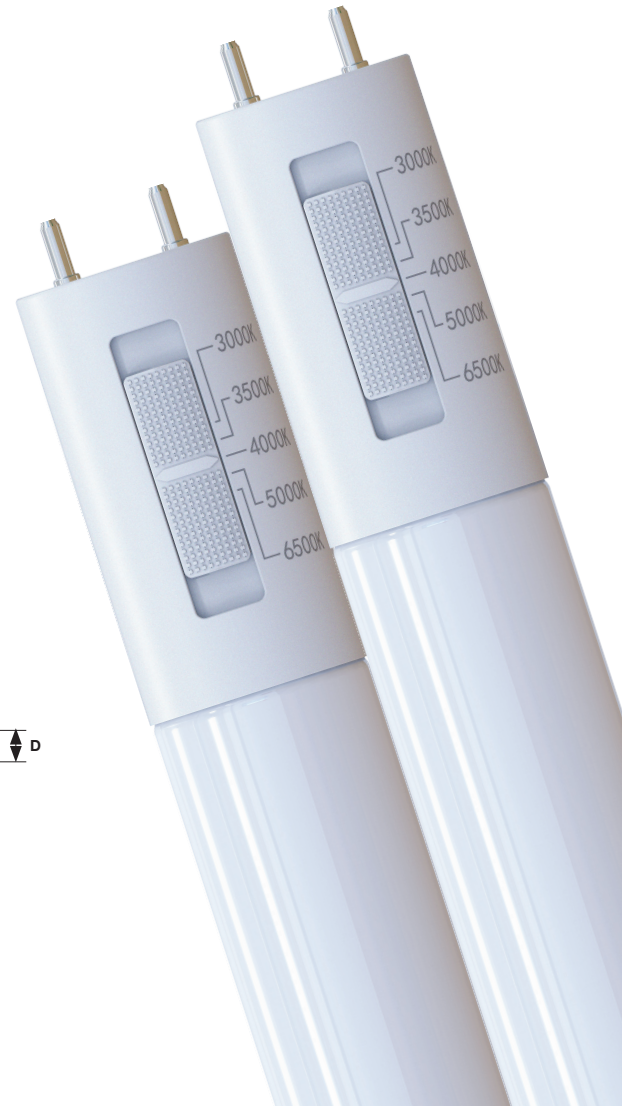
**ColorQuick™**

Selectable Color Technology

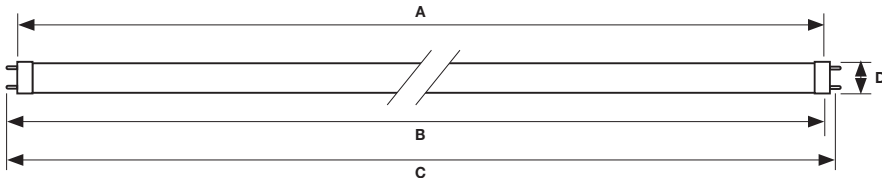
Switch to/from the following CCT



# LED T8 LINEAR LAMPS TYPE B - BALLAST BYPASS - CCT SELECTABLE



## Dimensions



	A	B	C	D
Size	Length (in.)	Length (in.)	Length (in.)	Length (in.)
2 Foot	23.21	23.50	23.78	1.02
3 Foot	35.22	35.50	35.78	1.02
4 Foot	47.22	47.50	47.78	1.02

## LED T8 - Ballast Bypass



Item	Description	Lm	W	V	CCT	UPC	Pk
<b>2' LED T8</b>							
S11764	9T8/LED/24-5CCT/BP/SE-DE	1150/1150/1250/1250/1250	9	120-277	3000/3500/4000K/5000K/6500K	045923117640	25
<b>3' LED T8</b>							
S11765	2T81/LED/36-5CCT/BP/SE-DE	1350/1350/1450/1450/1450	12	120-277	3000/3500/4000K/5000K/6500K	045923117657	25
<b>4' LED T8</b>							
S11766	14T8/LED/48-5CCT/BP/SE-DE	1700/1700/1800/1800/1800	14	120-277	3000/3500/4000K/5000K/6500K	045923117664	25
S11767	17T8/LED/48-5CCT/BP/SE-DE	2100/2100/2200/2200/2200	17	120-277	3000/3500/4000K/5000K/6500K	045923117671	25

DLC primary use: Internal Driver/Line Voltage (UL Type B) Lamps

\*Single-ended wiring requires non-shunted sockets.

Specifications are subject to change without prior notice.

Product sheet SA2976

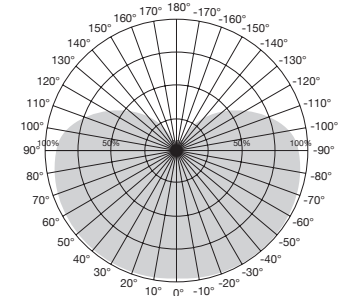
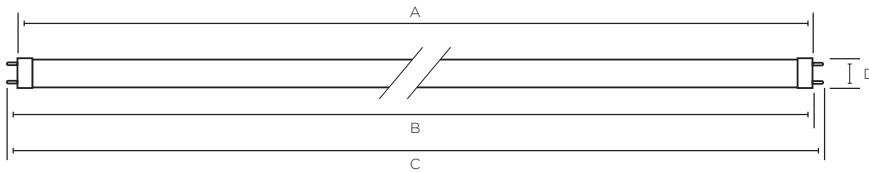
# T8 LED 2', 3', & 4' TYPE B LAMPS - BALLAST BYPASS



## Features:

- Single or double ending wiring\*
- Installation protection\*\*
- All-glass tube
- Direct wire 120-277 line voltage
- Damp location
- DLC listed
- Long life—50,000 hours

# T8 LED 2', 3', & 4' TYPE B LAMPS - BALLAST BYPASS



Beam Angle: 210°

## Dimensions

Size	WATTAGE	A Length (in.)	B Length (in.)	C Length (in.)	D Length (in.)
2 Foot	9W	23.21	23.50	23.78	1.02
3 Foot	12W	35.22	35.50	35.78	1.02
4 Foot	10.5W/14W/15W/17W	47.22	47.50	47.78	1.02



Item	Description	W	V	Bulb Shape	Base	Finish	CCT	Lm	CRI	Beam	MOL (in.)	Nominal (in.)	Life (hrs.)	UPC	Pack
<b>2' LED T8</b>															
S39900	9T8/LED/24-830/BP/SE-DE	9	120-277	T8	G13	WH	3000K	1100	82	210°	23.78	24.00	50K	045923399008	25
S39901	9T8/LED/24-835/BP/SE-DE	9	120-277	T8	G13	WH	3500K	1100	82	210°	23.78	24.00	50K	045923399015	25
S39902	9T8/LED/24-840/BP/SE-DE	9	120-277	T8	G13	WH	4000K	1150	82	210°	23.78	24.00	50K	045923399022	25
S39903	9T8/LED/24-850/BP/SE-DE	9	120-277	T8	G13	WH	5000K	1150	82	210°	23.78	24.00	50K	045923399039	25
<b>3' LED T8</b>															
S39926	12T8/LED/36-830/BP/SE-DE	12	120-277	T8	G13	WH	3000K	1400	82	210°	35.78	36.00	50K	045923399268	25
S39927	12T8/LED/36-835/BP/SE-DE	12	120-277	T8	G13	WH	3500K	1400	82	210°	35.78	36.00	50K	045923399275	25
S39928	12T8/LED/36-840/BP/SE-DE	12	120-277	T8	G13	WH	4000K	1450	82	210°	35.78	36.00	50K	045923399282	25
S39929	12T8/LED/36-850/BP/SE-DE	12	120-277	T8	G13	WH	5000K	1450	82	210°	35.78	36.00	50K	045923399299	25
<b>4' LED T8</b>															
S11960	10.5T8/LED/48-830/BP/SE-DE	10.5	120-277	T8	G13	WH	3000K	1700	82	210°	47.78	48.00	50K	045923119606	25
S11961	10.5T8/LED/48-835/BP/SE-DE	10.5	120-277	T8	G13	WH	3500K	1700	82	210°	47.78	48.00	50K	045923119613	25
S11962	10.5T8/LED/48-840/BP/SE-DE	10.5	120-277	T8	G13	WH	4000K	1700	82	210°	47.78	48.00	50K	045923119620	25
S11963	10.5T8/LED/48-850/BP/SE-DE	10.5	120-277	T8	G13	WH	5000K	1700	82	210°	47.78	48.00	50K	045923119637	25
S39913	14T8/LED/48-830/BP/SE-DE	14	120-277	T8	G13	WH	3000K	1700	82	210°	47.78	48.00	50K	045923399138	25
S39914	14T8/LED/48-835/BP/SE-DE	14	120-277	T8	G13	WH	3500K	1700	82	210°	47.78	48.00	50K	045923399145	25
S39915	14T8/LED/48-840/BP/SE-DE	14	120-277	T8	G13	WH	4000K	1800	82	210°	47.78	48.00	50K	045923399152	25
S39916	14T8/LED/48-850/BP/SE-DE	14	120-277	T8	G13	WH	5000K	1800	82	210°	47.78	48.00	50K	045923399169	25
S21924	14T8/LED/48-865/BP/SE-DE	14	120-277	T8	G13	WH	6500K	1800	82	210°	47.78	48.00	50K	045923219245	25
S39917	15T8/LED/48-830/BP/SE-DE	15	120-277	T8	G13	WH	3000K	2100	82	210°	47.78	48.00	50K	045923399176	25
S39918	15T8/LED/48-835/BP/SE-DE	15	120-277	T8	G13	WH	3500K	2100	82	210°	47.78	48.00	50K	045923399183	25
S39919	15T8/LED/48-840/BP/SE-DE	15	120-277	T8	G13	WH	4000K	2200	82	210°	47.78	48.00	50K	045923399190	25
S39920	15T8/LED/48-850/BP/SE-DE	15	120-277	T8	G13	WH	5000K	2200	82	210°	47.78	48.00	50K	045923399206	25
S39904	17T8/LED/48-830/BP/SE-DE	17	120-277	T8	G13	WH	3000K	2100	82	210°	47.78	48.00	50K	045923399046	25
S39905	17T8/LED/48-835/BP/SE-DE	17	120-277	T8	G13	WH	3500K	2100	82	210°	47.78	48.00	50K	045923399053	25
S39906	17T8/LED/48-840/BP/SE-DE	17	120-277	T8	G13	WH	4000K	2200	82	210°	47.78	48.00	50K	045923399060	25
S39907	17T8/LED/48-850/BP/SE-DE	17	120-277	T8	G13	WH	5000K	2200	82	210°	47.78	48.00	50K	045923399077	25

\*Single ended wiring requires non-shunted sockets.

\*\*Protection against improper installation. Lamps will not light if the ballast has not been bypassed.

Product sheet SA2420

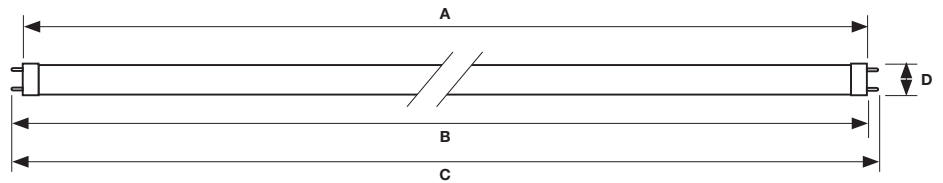
## 4' LED T8 347V TYPE B - BALLAST BYPASS LAMPS



### Features:

- Double ended wiring
- All glass tube
- Direct wire 347 line voltage
- Damp location
- Long life-50,000 hours

# 4' LED T8 347V TYPE B - BALLAST BYPASS LAMPS



## Dimensions

Size	WATTAGE	A Length (in.)	B Length (in.)	C Length (in.)	D Length (in.)
0.8005 in	14W/17W	47.22	47.50	47.78	1.02

## 347V LED T8 - Ballast Bypass



Item	Description	W	V	CRI	Base Type	Beam	CCT	Lm	M.O.L. (in.)	Life/Hrs.	UPC	Pack
S11744	14T8/LED/48-840/BP/DE/347V	14	347	82	G13	210	4000K	1800	47.78	50K	045923117442	25
S11745	14T8/LED/48-850/BP/DE/347V	14	347	82	G13	210	5000K	1800	47.78	50K	045923117459	25
S11746	17T8/LED/48-840/BP/DE/347V	17	347	82	G13	210	4000K	2200	47.78	50K	045923117466	25
S11747	17T8/LED/48-850/BP/DE/347V	17	347	82	G13	210	5000K	2200	47.78	50K	045923117473	25

\*Protection against improper installation. Lamps will not light if the ballast has not been bypassed.

Product sheet SA2882

# LED T8 4' BALLAST BYPASS LAMPS PLASTIC TUBES



## Features:

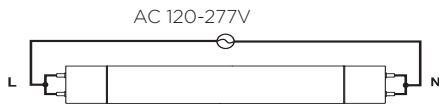
- No ballast or external driver required — single or double ended wiring
- Installation protection — will not light if ballast is not bypassed
- High lumen output
- Direct wire 120-277V line voltage
- Plastic safety tube
- Shatterproof
- Long life: 70,000 hours
- c-UL-us Classified
- ETL sanitation listed (conforms to NSF)
- DLC Listed
- 5 year warranty

# LED T8 4' TYPE B - BALLAST BYPASS LAMPS PLASTIC TUBES

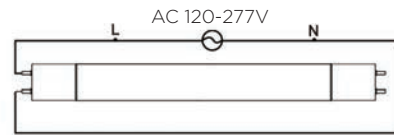


## TWO INSTALLATION OPTIONS:

### 1. Double Ended Wiring



### 2. Single Ended Wiring



## Plastic Tube - T8



Item	Description	W	V	Bulb Shape	Base	Finish	CCT	Lm	CRI	Beam	MOL (in.)	Nominal (in.)	Life (hrs.)	UPC	Pack
S11978	10.5T8/LED/48-840/BP/ SE-DE/PC	10.5	120-277	T8	G13	FR	4000K	1650	83	180°	47.78	48.00	70K	045923119781	25

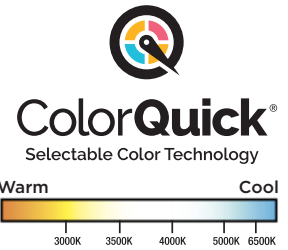
Product sheet SA2970

# PREMIUM LED T8 LAMPS BALLAST BYPASS | CCT SELECTABLE



## Features:

- Low optical flicker illumination-less than 2%
- Shatterproof coated for safety in food service applications
- 5 CCT selectable 3000K/3500K/4000K/5000K/6500K
- 120-277 range voltage
- Dimmable when used in 120V<sup>^</sup>
- 50K life hours



Item	Description	W	V	Bulb Shape	Base	Finish	Lm	CRI Beam	MOL (in.)	Nominal (in.)	UPC	Pack
S11660	7T8/LED/24-5CCT/DIM/LF/BP	7	120-277	T8	G13	FR	900/950/1000/1000/950	83 160°	23.23	24.00	045923116605	25
S11661	12T8/LED/36-5CCT/DIM/LF/BP	12	120-277	T8	G13	FR	1450/1500/1550/1550/1500	83 160°	35.24	36.00	045923116612	25
S11662	9.5T8/LED/48-5CCT/DIM/LF/BP	9.5	120-277	T8	G13	FR	1600/1625/1650/1650/1625	83 160°	47.2	48.00	045923116629	25
S11663	10.5T8/LED/48-5CCT/DIM/LF/BP	10.5	120-277	T8	G13	FR	1600/1650/1700/1700/1650	83 160°	47.2	48.00	045923116636	25
S11664	11.5T8/LED/48-5CCT/DIM/LF/BP	11.5	120-277	T8	G13	FR	1700/1750/1800/1800/1750	83 160°	47.2	48.00	045923116643	25
S11665	15T8/LED/48-5CCT/DIM/LF/BP	15	120-277	T8	G13	FR	2000/2100/2200/2200/2100	83 160°	47.2	48.00	045923116650	25
S11666	18.5T8/LED/48-5CCT/DIM/LF/BP	18.5	120-277	T8	G13	FR	2400/2500/2600/2600/2500	83 160°	47.2	48.00	045923116667	25

<sup>^</sup>Visit [satco.com](http://satco.com) for compatible dimmers.

Product sheet SN1655

# PREMIUM LED T8 BALLAST BYPASS TYPE B, LOW OPTICAL FLICKER LAMPS

## Features:

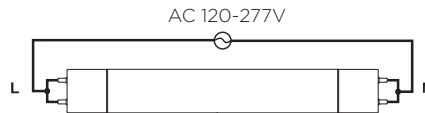
- No ballast or external driver required
- Low flicker – Less than 2%
- Installation protection – will not light if ballast is not bypassed
- Lower wattage option
- High lumen – up to 2600
- Direct wire 120-277V line voltage\*

- All glass tube
- PET Coated – shatterproof
- Long life: 50,000 hours
- c-UL-us classified
- ETL Sanitation listed (conforms to NSF)
- DLC Listed
- 5 year warranty

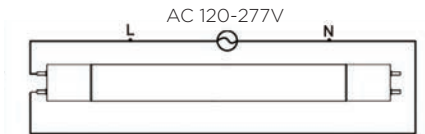


## TWO INSTALLATION OPTIONS

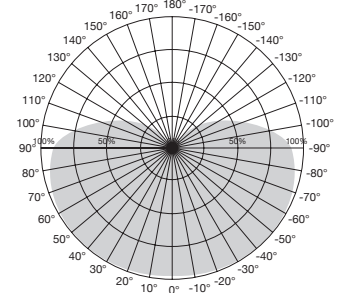
### 1. Double Ended Wiring



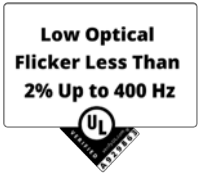
### 2. Single Ended Wiring



(Non-shunted sockets)



Beam Angle: 190°



Item	Description	W	V	Bulb Shape	Base	Finish	CCT	Lm	CRI	Beam	MOL (in.)	Nominal (in.)	Life (hrs.)	UPC	Pack
S11910	11.5T8/LED/48-830/BP 120-277V	11.5	120-277	T8	G13	FR	3000K	1650	80	180°	47.78	48.00	50K	045923119101	25
S11911	11.5T8/LED/48-835/BP 120-277V	11.5	120-277	T8	G13	FR	3500K	1650	80	180°	47.78	48.00	50K	045923119118	25
S11912	11.5T8/LED/48-840/BP 120-277V	11.5	120-277	T8	G13	FR	4000K	1750	80	180°	47.78	48.00	50K	045923119125	25
S11913	11.5T8/LED/48-850/BP 120-277V	11.5	120-277	T8	G13	FR	5000K	1800	80	180°	47.78	48.00	50K	045923119132	25
S11914	18.5T8/LED/48-830/BP 120-277V	18.5	120-277	T8	G13	FR	3000K	2400	80	180°	47.78	48.00	50K	045923119149	25
S11915	18.5T8/LED/48-835/BP 120-277V	18.5	120-277	T8	G13	FR	3500K	2400	80	180°	47.78	48.00	50K	045923119156	25
S11916	18.5T8/LED/48-840/BP 120-277V	18.5	120-277	T8	G13	FR	4000K	2500	80	180°	47.78	48.00	50K	045923119163	25
S11917	18.5T8/LED/48-850/BP 120-277V	18.5	120-277	T8	G13	FR	5000K	2600	80	180°	47.78	48.00	50K	045923119170	25

Product sheet SA2527

# 5' & 6' BALLAST BYPASS - TYPE B REPLACEMENTS FOR MED. BI-PIN LINEAR T8 LAMPS



## Features:

- No ballast required
- Increased efficiency
- Single ended wiring/ non-shunted sockets
- 60" and 70" lengths
- All glass tube
- Damp location
- ETL sanitation listed (conforms to NSF)
- Long life—50,000 hours

## Applications:

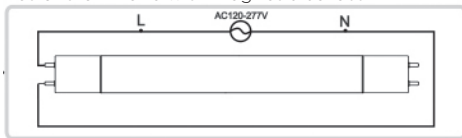
- Designed for cold temperature applications

# 5' & 6' BALLAST BYPASS - TYPE B REPLACEMENTS FOR MED. BI-PIN LINEAR T8 LAMPS



## Wiring Diagram

Retrofit luminaire with magnetic ballast



Wiring harnesses available including non-shunted sockets, sold separately

Item	Description
80-2626	1 LT BALLAST BYPASS WIRING HARNESS
80-2627	2 LT BALLAST BYPASS WIRING HARNESS
80-2628	3 LT BALLAST BYPASS WIRING HARNESS
80-2629	4 LT BALLAST BYPASS WIRING HARNESS



Item	Description	W	V	Bulb Shape	Base	Finish	CCT	Lm	CRI	Beam	MOL (in.)	Nominal (in.)	Life (hrs.)	UPC	Pack
S11953	22T8/LED/60-840/BP	22	120-277	T8	G13	FR	4000K 2800	83	160°	60.00	60.00	50K	045923119538	10	
S11954	22T8/LED/60-850/BP	22	120-277	T8	G13	FR	5000K 2800	83	160°	60.00	60.00	50K	045923119545	10	
S11955	30T8/LED/70-840/BP	30	120-277	T8	G13	FR	4000K 4000	83	160°	70.00	70.00	50K	045923119552	10	
S11956	30T8/LED/70-850/BP	30	120-277	T8	G13	FR	5000K 4000	83	160°	70.00	70.00	50K	045923119569	10	

Product sheet SA2390

# LED T8 LAMPS TYPE A + B | CCT SELECTABLE

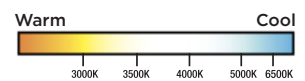


## Features:

- Dual mode type A + B
- 5 CCT selectable
- Range voltage 120-277
- Offered in 2', 3' and 4' lengths



**ColorQuick**<sup>®</sup>  
Selectable Color Technology

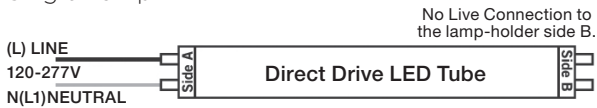


# LED T8 LAMPS TYPE A + B | CCT SELECTABLE



**SINGLE-ENDED WIRING** Using non-shunted lampholders only

Single Lamp



**DOUBLE-ENDED WIRING** Using shunted lampholders only

Shunted Lampholders - Single Lamp / 120-277V



Item	Description	W	V	Bulb Shape	Base	Finish	Lm	CRI	Beam	MOL (in.)	Nominal (in.)	Life (hrs.)	UPC	Pack
S21760	10T8/LED/24-5CCT/DM/BP-DR	10	120-277	T8	G13	FR	1450	80+	170°	24.65	24.00	50K	045923217609	25
S21761	11T8/LED/36-5CCT/DM/BP-DR	11	120-277	T8	G13	FR	1650	80+	170°	36.61	36.00	50K	045923217616	25
S21762	12T8/LED/48-5CCT/DM/BP-DR	12	120-277	T8	G13	FR	1800	80+	170°	48.67	48.00	50K	045923217623	25
S21763	15T8/LED/48-5CCT/DM/BP-DR	15	120-277	T8	G13	FR	2200	80+	170°	48.67	48.00	50K	045923217630	25

Product sheet SN1713

# PREMIUM LED T8 DUAL MODE (A + B) (BALLAST BYPASS TYPE B/ BALLAST COMPATIBLE TYPE A) LINEAR LAMPS



## Features:

- Direct replacements for fluorescent T8 lamps in existing fixtures with or without ballasts.
- Over 40% energy savings vs. standard T8 systems
- Ballast compatible (12W) and ballast bypass (13W) in one lamp
- Bypass mode works in single or double ended wiring\*\*
- Protection from arcing\*\*\*
- All glass tube
- Compatible with emergency and dimming ballast†
- 120-277V in bypass mode
- Damp location
- PET coated
- NSF certified
- DLC 5.1 listed
- C-UL-us listed—ballast compatible
- c-UL-us classified—ballast bypass
- Long life—50,000 hours
- 5 year warranty

\*\*\* Power must be turned off prior to installing lamps. Sockets must be in good working order, not broken, cracked or electrically compromised. If arcing occurs at the lamp pin, thermal fuse may activate to avoid overheating of lamp.



## Ballast Compatible

Item	Description	W	Bulb Shape	Base	Finish	CCT	Lm	CRI	Beam	MOL (in.)	Nominal (in.)	Life (hrs.)	UPC	Pack
S8890	12T8/LED/48-830/DUAL/BP-DR	12	T8	G13	WH	3000K	1800	83	240°	47.78	48.00	50K	045923088902	25
S8891	12T8/LED/48-835/DUAL/BP-DR	12	T8	G13	WH	3500K	1800	83	240°	47.78	48.00	50K	045923088919	25
S8892	12T8/LED/48-840/DUAL/BP-DR	12	T8	G13	WH	4000K	1900	83	240°	47.78	48.00	50K	045923088926	25
S8893	12T8/LED/48-850/DUAL/BP-DR	12	T8	G13	WH	5000K	1900	83	240°	47.78	48.00	50K	045923088933	25

Product sheet SA2316



## Ballast Bypass

Item	Description	W	V	Bulb Shape	Base	Finish	CCT	Lm	CRI	Beam	MOL (in.)	Nominal (in.)	Life (hrs.)	UPC	Pack
S8890	13T8/LED/48-830/DUAL/BP-DR	13	120-277	T8	G13	WH	3000K	1800	83	240°	47.78	48.00	50K	045923088902	25
S8891	13T8/LED/48-835/DUAL/BP-DR	13	120-277	T8	G13	WH	3500K	1800	83	240°	47.78	48.00	50K	045923088919	25
S8892	13T8/LED/48-840/DUAL/BP-DR	13	120-277	T8	G13	WH	4000K	1900	83	240°	47.78	48.00	50K	045923088926	25
S8893	13T8/LED/48-850/DUAL/BP-DR	13	120-277	T8	G13	WH	5000K	1900	83	240°	47.78	48.00	50K	045923088933	25

Product sheet SA2316

# LED DUAL MODE TYPE (A + B) T8 LINEAR LAMPS

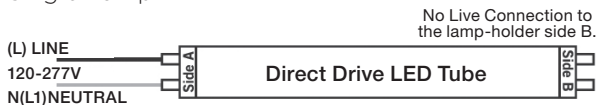
## Features:

- Ballast compatible and ballast bypass in one lamp
- Single or double-ended wiring in bypass mode
- Protection from arcing
- All glass tube
- Damp location
- Compatible with Satco S8000 & S8002 EM drivers in bypass mode



## SINGLE-ENDED WIRING Using non-shunted lampholders only

### Single Lamp



## DOUBLE-ENDED WIRING Using shunted lampholders only

### Shunted Lampholders - Single Lamp / 120-277V



## TYPE A

### Ballast Compatible - Type A



Item	Description	W	Bulb Type	Base	Finish	CCT	Lm	CRI	Beam	MOL (in.)	Life (hrs.)	UPC	Pack
S11974	12T8/48-830/DM/A-B	12	T8	G13	FR	3000K	1700	82	210°	48.00	50K	045923119743	25
S11975	12T8/48-835/DM/A-B	12	T8	G13	FR	3500K	1700	82	210°	48.00	50K	045923119750	25
S11976	12T8/48-840/DM/A-B	12	T8	G13	FR	4000K	1800	82	210°	48.00	50K	045923119767	25
S11977	12T8/48-850/DM/A-B	12	T8	G13	FR	5000K	1800	82	210°	48.00	50K	045923119774	25

## TYPE B

### Ballast Bypass - Type B



Item	Description	W	V	Bulb Type	Base	Finish	CCT	Lm	CRI	Beam	MOL (in.)	Life (hrs.)	UPC	Pack
S11974	12T8/48-830/DM/A-B	12	120-277	T8	G13	FR	3000K	1700	82	210°	48.00	50K	045923119743	25
S11975	12T8/48-835/DM/A-B	12	120-277	T8	G13	FR	3500K	1700	82	210°	48.00	50K	045923119750	25
S11976	12T8/48-840/DM/A-B	12	120-277	T8	G13	FR	4000K	1800	82	210°	48.00	50K	045923119767	25
S11977	12T8/48-850/DM/A-B	12	120-277	T8	G13	FR	5000K	1800	82	210°	48.00	50K	045923119774	25

Product sheet SA2818

# LED 2-PIECE 8' T8 LAMP FIELD SELECTABLE | BALLAST BYPASS



## Features:

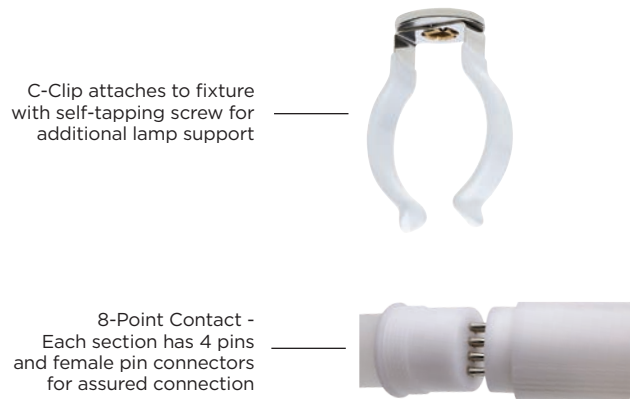
- Field selectable:  
3 wattage and 5 CCT
- DLC listed when used in Fa8 applications
- Optional R17d base caps included
- C-Clip for extra lamp support included
- PET coated glass tube
- Compatible with optional  
10W emergency driver
- Ships in a 4' box



**Ships in a 4' Box**



# LED 2-PIECE 8' T8 LAMP FIELD SELECTABLE | BALLAST BYPASS



CCT Selectable  
3000/3500K/4000K/5000K/6500



Item	Description	W	V	Bulb Shape	Base	Finish	Lm	CRI	Beam	MOL (in.)	MOD (in.)	Life (hrs.)	UPC	Pack
S11757	40T8/LED/96-CCT/BP/R2PC/1PK	23/32/400	120-277	T8	Fa8	WH	3500/4400/5500	82	210°	93.75	1.00	50K	045923117572	10/1

Product sheet SN1705

# LED T8 LAMPS FA8 AND R17D BASE CCT SELECTABLE



## Features:

- Direct replacement for fluorescent T8 or 12 lamps
- Ballast bypass - UL Type B installation
- NSF Certified - P.E.T. coated, shatter resistant glass tube
- Compatible with S8002
- Emergency driver
- 5 year warranty



**ColorQuick**

Selectable Color Technology

Switch to/from the following CCT

COOL WHITE - 4000K

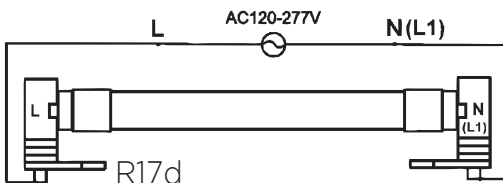
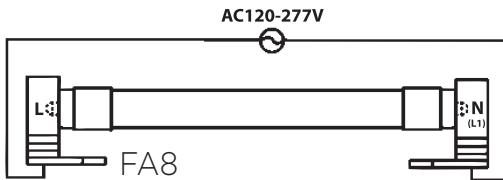
NATURAL LIGHT - 5000K

DAYLIGHT - 6500K

# LED T8 LAMPS FA8 AND R17D BASE CCT SELECTABLE



## WIRING DIAGRAM



Item	Description	Lm	W	V	Finish	CCT	Nominal Length	Beam Angle	UPC	Pack
<b>FA8 Base</b>										
S11750	14T8/LED/48-CCT/BP/FA8	1950/2000/1900	14	120-277	WH	4000K/5000K/6500K	4'	180°	045923117503	10
S11751	24T8/LED/72-CCT/BP/FA8	3300/3400/3200	24	120-277	WH	4000K/5000K/6500K	6'	180°	045923117510	10
S11752	38T8/LED/96-CCT/BP/FA8	5400/5500/5300	38	120-277	WH	4000K/5000K/6500K	8'	180°	045923117527	10
<b>R17 Base</b>										
S11753	18T8/LED/48-CCT/BP/R17D	2500/2600/2400	18	120-277	WH	4000K/5000K/6500K	4'	180°	045923117534	10
S11754	30T8/LED/72-CCT/BP/R17D	4200/4300/4100	30	120-277	WH	4000K/5000K/6500K	6'	180°	045923117541	10
S11755	38T8/LED/96-CCT/BP/R17D	5400/5500/5300	38	120-277	WH	4000K/5000K/6500K	8'	180°	04592397558	10

\*DLC Primary Use: Internal Driver/Line Voltage (UL Type B) Lamps - S11752 Only

Product sheet SA2954

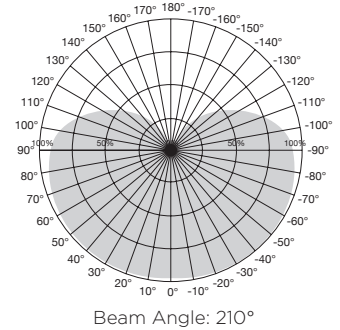
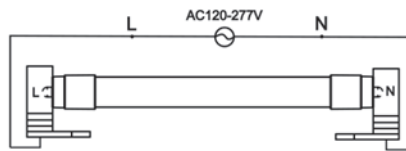
# SLIMLINE 4', 6', 8' T8 BALLAST BYPASS TYPE B

## Features:

- Double ended wiring
- Shatterproof coated
- Over 40% energy savings vs standard 8' T8 systems
- Slimline single pin base - replaces T8 & T12
- No ballast or external driver required
- Direct wire 120-277V line voltage
- All glass tube
- Damp location
- NSF certified
- c-UL-us classified
- Long life—50,000 hours
- 5 year warranty



Wiring Diagram



Item	Description	W	V	Bulb Shape	Base	Finish	CCT	Lm	CRI	Beam	MOL (in.)	Nominal (in.)	Life (hrs.)	UPC	Pack
S11926*	14T8/LED/48-840/BP/FA8	14	120-277	T8	FA8	WH	4000K	1900	80	210°	46.00	48.00	50K	045923119262	25
S11927*	24T8/LED/72-840/BP/FA8	24	120-277	T8	FA8	WH	4000K	3200	80	210°	70.00	72.00	50K	045923119279	10
S11957	24T8/LED/96-835/BP/FA8	24	120-277	T8	FA8	WH	3500K	3200	82	210°	94.00	96.00	50K	045923119576	10
S11958	24T8/LED/96-840/BP/FA8	24	120-277	T8	FA8	WH	4000K	3500	82	210°	94.00	96.00	50K	045923119583	10
S11959	24T8/LED/96-850/BP/FA8	24	120-277	T8	FA8	WH	5000K	3500	82	210°	94.00	96.00	50K	045923119590	10
S29917	40T8/LED/96-835/BP/FA8	40	120-277	T8	FA8	WH	3500K	5300	82	210°	94.00	96.00	50K	045923299179	10
S29918	40T8/LED/96-840/BP/FA8	40	120-277	T8	FA8	WH	4000K	5500	82	210°	94.00	96.00	50K	045923299186	10
S29919	40T8/LED/96-850/BP/FA8	40	120-277	T8	FA8	WH	5000K	5500	82	210°	94.00	96.00	50K	045923299193	10
S21925	40T8/LED/96-865/BP/FA8	40	120-277	T8	FA8	WH	6500K	5500	82	210°	94.00	96.00	50K	045923219252	10

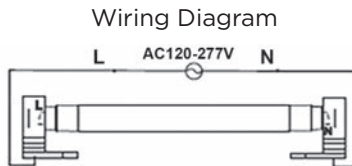
\*Not DLC

Product sheet SA2683

# R17D LINEAR LED BALLAST BYPASS 4', 6' & 8' TYPE B T8

## Features:

- Double ended wiring
- Shatterproof coated
- Over 40% energy savings vs standard 8' T8 systems
- R17d base designed to replace T8 HO and T12 HO
- Fluorescent lamps
- No ballast or external driver required
- Direct wire 120-277V line voltage
- All glass tube
- Damp location
- NSF certified
- c-UL-us classified
- Long life—50,000 hours
- 5 year warranty



Item	Description	W	V	Bulb Shape	Base	Finish	CCT	Lm	CRI	Beam	MOL (in.)	Nominal (in.)	Life (hrs.)	UPC	Pwk
S11964	18T8/LED/48-840/BP/R17D/HO	18	120-277	T8	R17d	WH	4000K	2500	82	160°	46.00	48.00	50K	045923119644	10
S11965	18T8/LED/48-865/BP/R17D/HO	18	120-277	T8	R17d	WH	6500K	2500	82	160°	46.00	48.00	50K	045923119651	10
S11966	30T8/LED/72-840/BP/R17D/HO	30	120-277	T8	R17d	WH	4000K	4200	82	160°	70.00	72.00	50K	045923119668	10
S11967	30T8/LED/72-865/BP/R17D/HO	30	120-277	T8	R17d	WH	6500K	4200	82	160°	70.00	72.00	50K	045923119675	10
S29924	40T8/LED/96-840/BP/R17D	40	120-277	T8	R17d	WH	4000K	5500	82	210°	94.00	96.00	50K	045923299247	10
S29925	40T8/LED/96-850/BP/R17D	40	120-277	T8	R17d	WH	5000K	5500	82	210°	94.00	96.00	50K	045923299254	10
S29942	40T8/LED/96-865/BP/R17D	40	120-277	T8	R17d	WH	6500K	5500	82	210°	94.00	96.00	50K	045923299421	10

Product sheet SA2611

# TYPE A T5 LAMPS

## Features:

- Direct replacement for linear fluorescent T5HO lamps in existing fixtures with electronic ballasts. No rewiring required
- Over 50% energy savings vs. standard T5 systems
- All glass tube
- Compatible with rapid start ballast\*
- Integrated thermal fuse at pins
- Damp location
- NSF certified
- c-UL-us listed
- DLC listed
- Long life—50,000 hours
- 5 year warranty



Item	Description	W	Bulb Shape	Base	Finish	CCT	Lm	CRI	Beam	MOL (in.)	Nominal (in.)	Life (hrs.)	UPC	Pack	
<b>2 Ft. Lamps</b>															
S19946	11T5/LED/22-835/DR	11	T5	G5	WH	3500K	1350	82	185°	22.5	24.00	50K	045923199462	25	
S19947	11T5/LED/22-840/DR	11	T5	G5	WH	4000K	1400	82	185°	22.5	24.00	50K	045923199479	25	
S19948	11T5/LED/22-850/DR	11	T5	G5	WH	5000K	1400	82	185°	22.5	24.00	50K	045923199486	25	
<b>4 Ft. Lamps</b>															
S29912	25T5/LED/46-835/DR	25	T5	G5	WH	3500K	3300	82	185°	46.00	48.00	50K	045923299124	10	
S29910*	25T5/LED/46-840/DR	25	T5	G5	WH	4000K	3500	82	185°	46.00	48.00	50K	045923299100	10	
S29911	25T5/LED/46-850/DR	25	T5	G5	WH	5000K	3500	82	185°	46.00	48.00	50K	045923299117	10	

\*May not be compatible with all rapid start ballasts. Visit [www.satco.com](http://www.satco.com) for an approved list.

Product sheet SA2306

# LED T5 LAMPS - TYPE B

## CCT SELECTABLE



### Features:

- CCT selectable
- Single or double-ended wiring
- Frosted glass lens
- 120-277 models available in 2', 3', and 4' lengths
- 347V model available in 4' for high voltage applications

**ColorQuick®**  
Selectable Color Technology

Switch to/from the following CCT

Warm  Cool

3000K 3500K 4000K 5000K 6500K



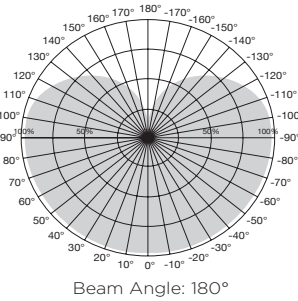
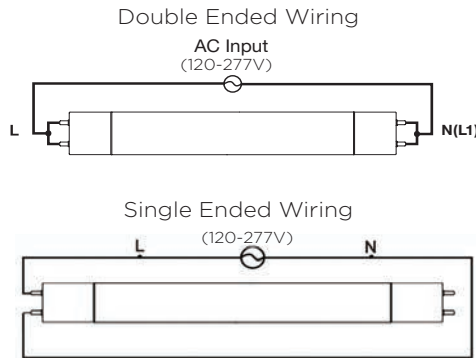
Item	Description	W	V	Bulb Shape	Base	Finish	CCT	Lm	CRI	Beam	MOL (in.)	Nominal (in.)	Life (hrs.)	UPC	Pack
S11650	9T5/LED/24-CCT/BP/HE/SE-DE	9	120-277	T5	G5	WH	3000K-6500K	1100-1175-1200-1250-1150	82	160°	22.5	24	50K	045923116506	25
S11651	12T5/LED/36-CCT/BP/HE/SE-DE	12	120-277	T5	G5	WH	3000K-6500K	1500-1575-1600-1650-1550	82	160°	33.98	36	50K	045923116513	25
S11652	13T5/LED/48-CCT/BP/HE/SE-DE	13	120-277	T5	G5	WH	3000K-6500K	1700-1775-1800-1850-1750	82	160°	45.8	48	50K	045923116520	25
S11653	12T5/LED/24-CCT/BP/HO/SE-DE	12	120-277	T5	G5	WH	3000K-6500K	1500-1575-1600-1650-1550	82	160°	22.5	24	50K	045923116537	25
S11654	16T5/LED/36-CCT/BP/HO/SE-DE	16	120-277	T5	G5	WH	3000K-6500K	2000-2075-2100-2150-2050	82	160°	33.98	36	50K	045923116544	25
S11655	25T5/LED/48-CCT/BP/HO/SE-DE	25	120-277	T5	G5	WH	3000K-6500K	3000-3450-3500-3600-3400	82	160°	45.8	48	50K	045923116551	25
S11656	25T5/LED/48-CCT/BP/HO/DE	25	120-347V	T5	G5	WH	3000K-6500K	3000-3450-3500-3600-3400	82	160°	45.8	48	50K	045923116568	25

Product sheet SA3025

# LED T5 TYPE B BALLAST BYPASS

## Features:

- Double or single ended ballast bypass replacement for linear fluorescent T5 HO & HE lamps in existing fixtures.
- No ballast or external driver required
- Available in 2', 3' & 4'
- Direct wire 120-277V line voltage
- Single or double-ended wiring
- All glass tube, PET-shatterproof coated
- Damp location
- c-UL-us classified
- NSF certified
- DLC listed\* Long life—50,000 hours
- 5 year warranty

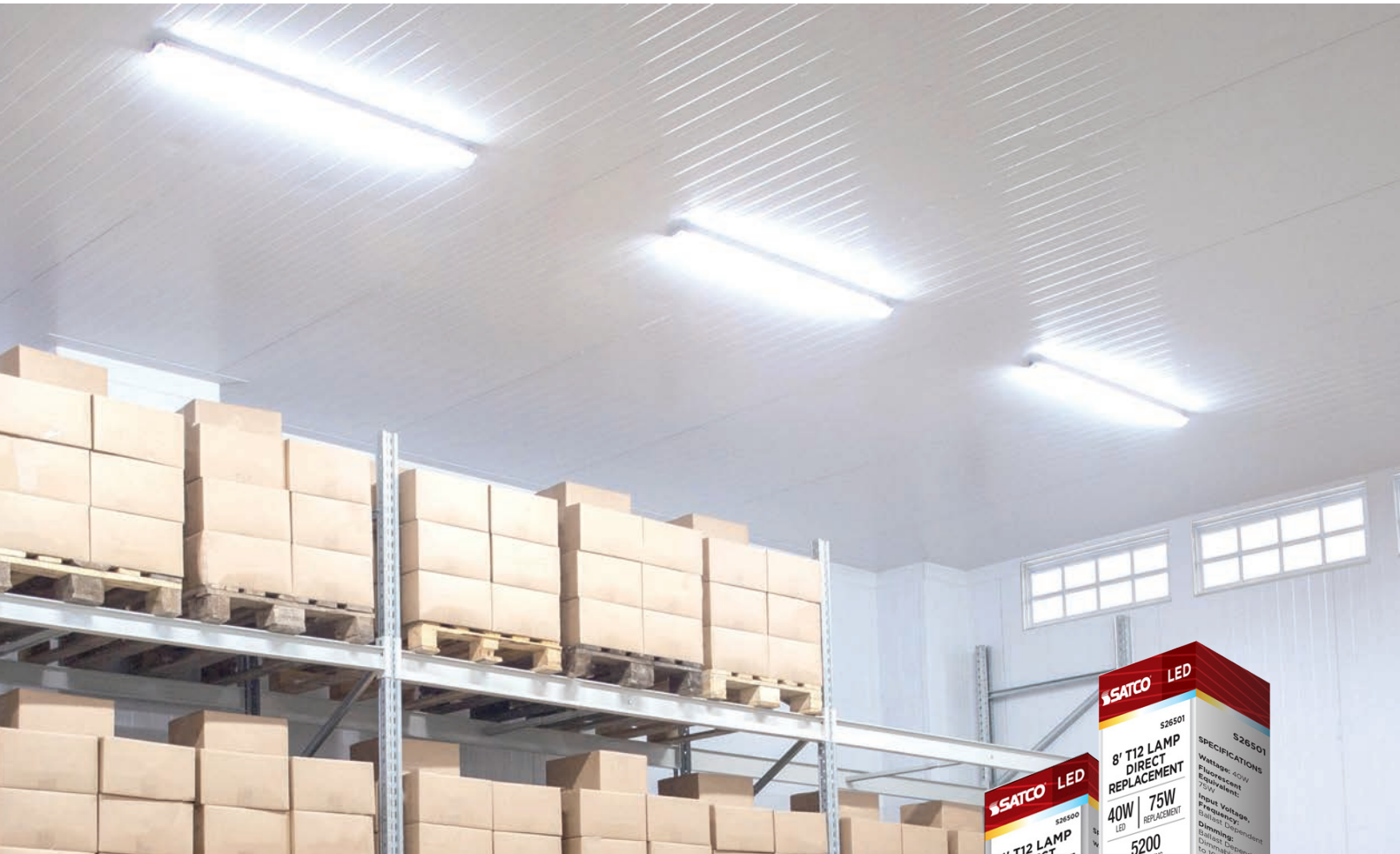


Item	Description	W	V	Bulb Shape	Base	Finish	CCT	Lm	CRI	Beam	MOL (in.)	Nominal (in.)	Life (hrs.)	UPC	Pack
S28693	12T5/LED/24-835/BP/HO/SE-DE	12	120-277	T5	G5	WH	3500K	1400	83	240°	22.50	24.00	50K	045923286933	25
S28694	12T5/LED/24-840/BP/HO/SE-DE	12	120-277	T5	G5	WH	4000K	1450	83	240°	22.50	24.00	50K	045923286940	25
S28695	12T5/LED/24-850/BP/HO/SE-DE	12	120-277	T5	G5	WH	5000K	1500	83	240°	22.50	24.00	50K	045923286957	25
S28696	16T5/LED/36-835/BP/HO/SE-DE	16	120-277	T5	G5	WH	3500K	1800	83	240°	34.00	36.00	50K	045923286964	25
S28697	16T5/LED/36-840/BP/HO/SE-DE	16	120-277	T5	G5	WH	4000K	1850	83	240°	34.00	36.00	50K	045923286971	25
S28698	16T5/LED/36-850/BP/HO/SE-DE	16	120-277	T5	G5	WH	5000K	1900	83	240°	34.00	36.00	50K	045923286988	25
S28690*	13T5/LED/46-835/BP/HE/SE-DE	13	120-277	T5	G5	WH	3500K	1600	83	240°	46.00	48.00	50K	045923286902	25
S28691*	13T5/LED/46-840/BP/HE/SE-DE	13	120-277	T5	G5	WH	4000K	1650	83	240°	46.00	48.00	50K	045923286919	25
S28692*	13T5/LED/46-850/BP/HE/SE-DE	13	120-277	T5	G5	WH	5000K	1700	83	240°	46.00	48.00	50K	045923286926	25
S39717*	25T5/LED/46-835/BP/HO/SE-DE	25	120-277	T5	G5	WH	3500K	3200	83	240°	46.00	48.00	50K	045923397172	25
S39718*	25T5/LED/46-840/BP/HO/SE-DE	25	120-277	T5	G5	WH	4000K	3300	83	240°	46.00	48.00	50K	045923397189	25
S39719*	25T5/LED/46-850/BP/HO/SE-DE	25	120-277	T5	G5	WH	5000K	3400	83	240°	46.00	48.00	50K	045923397196	25
S39720*	25T5/LED/46-865/BP/HO/SE-DE	25	120-277	T5	G5	WH	6500K	3400	83	240°	46.00	48.00	50K	045923397202	25

Product sheet SA2684

# LED T12 LAMPS

## DIRECT REPLACEMENT | BALLAST COMPATIBLE

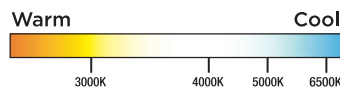


### Features:

- 4 CCT selectable
- Frosted lens
- Shatterproof coated
- Double-Ended Wiring
- Ballast dependent voltage
- Ballast compatible T12 replacement



**ColorQuick®**  
Selectable Color Technology



**SATCO LED**

526501

**8' T12 LAMP DIRECT REPLACEMENT**

40W LED | 75W REPLACEMENT

5200 MAX LUMENS

FAB SINGLE-PIN BASE

**TYPE A BALLAST COMPATIBLE**

**FROSTED FINISH**

**2-PACK**

SELECTABLE COLOR TEMPERATURE

SOFT WHITE - 3000K

COOL WHITE - 4000K

NATURAL LIGHT - 5000K

DAYLIGHT - 6500K

**TYPE A BALLAST COMPATIBLE**

**FROSTED FINISH**

**2-PACK**

SELECTABLE COLOR TEMPERATURE

SOFT WHITE - 3000K

COOL WHITE - 4000K

NATURAL LIGHT - 5000K

DAYLIGHT - 6500K

**4' T12 LAMP DIRECT REPLACEMENT**

16W LED | 40W REPLACEMENT

1800 MAX LUMENS

MEDIUM BI-PIN BASE

**TYPE A BALLAST COMPATIBLE**

**FROSTED FINISH**

**2-PACK**

SELECTABLE COLOR TEMPERATURE

SOFT WHITE - 3000K

COOL WHITE - 4000K

NATURAL LIGHT - 5000K

DAYLIGHT - 6500K

**SPECIFICATIONS**

Wattage: 40W  
Fluorescent Equivalent: 75W  
Input Voltage, Frequency, Ballast: Independent  
Dimming: Dimmable Down to 10%  
Lumen Max: 5200  
CCT Selectable: 3000K/4000K/5000K/6500K  
CRI: 90  
Beam Angle: 240°  
Location Rating: Damp  
Operating Temperature: -20°C (-4°F) to +40°C (104°F)  
Finish: Frost  
Shape: T12  
Construction: PET Coated Glass  
Base: FAB Single-Pin  
Dimensions: L: 94.02", W: 1.42", H: 1.27"  
Unit Weight: 1.57 lbs.  
Functional Life: 50,000 Hours  
Warranty: 3 years



## CCT SELECTABLE SWITCHES



S26500



S26501

- \* Various Lumens Available:  
 - S26500: 1700L/1700L/1800L/1800L  
 - S26501: 4400L/5200L/5200L/4800L



Item	Description	W	Bulb Shape	Base	Finish	CCT	Lm (default) *	CRI	Beam	MOL (in.)	Life (hrs.)	UPC	Pack
S26500	116T12/LED/48/4CCT/DR/2PK	16	T12	G13	WH	3000K/4000K/5000K/6500K	1700L	80+	24°	47.74"	50K	045923265006	2
S26501	40T12/LED/96/4CCT/DR/2PK	40	T12	Fa8	WH	3000K/4000K/5000K/6500K	5200L	80+	24°	94.02"	36K	045923265013	2

Product sheet SN1821

# LED T5 MINI BI-PIN (G5) BALLAST BYPASS TYPE B

## Features:

Ballast bypass replacement for mini bi-pin linear fluorescent T5 preheat lamps in existing fixtures.

No ballast or external driver required

Available in 6", 9", 12", & 21"

Direct wire 120-277V line voltage

PET shatterproof coated

Damp location

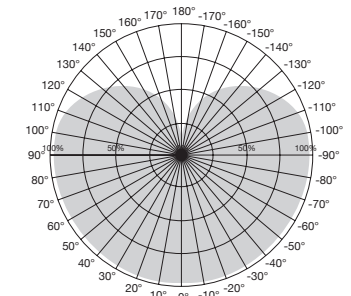
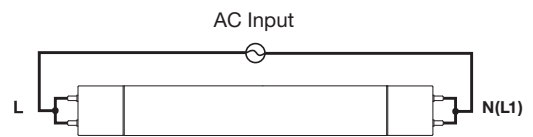
c-UL-us classified

Long life—50,000 hours

5 year warranty



Double Ended Wiring



Beam Angle: 240°



Item	Description	W	V	Bulb Shape	Base	Finish	CCT	Lm	CRI	Beam	MOL (in.)	Nominal (in.)	Life (hrs.)	UPC	Pack
S11900	2W/LED/T5/840/BP	2	120-277	T5	G5	FR	4000K	150	82	240°	5.91	6.00	50K	045923119002	200/10
S11901	2W/LED/T5/865/BP	2	120-277	T5	G5	FR	6500K	150	82	240°	5.91	6.00	50K	045923119019	200/10
S11902	3W/LED/T5/840/BP	3	120-277	T5	G5	FR	4000K	270	82	240°	8.91	9.00	50K	045923119026	200/10
S11903	3W/LED/T5/865/BP	3	120-277	T5	G5	FR	6500K	270	82	240°	8.91	9.00	50K	045923119033	200/10
S11904	4W/LED/T5/830/BP	4	120-277	T5	G5	FR	3000K	400	82	240°	11.91	12.00	50K	045923119040	100/10
S11905	4W/LED/T5/840/BP	4	120-277	T5	G5	FR	4000K	400	82	240°	11.91	12.00	50K	045923119057	100/10
S11906	4W/LED/T5/865/BP	4	120-277	T5	G5	FR	6500K	400	82	240°	11.91	12.00	50K	045923119064	100/10
S11907	7W/LED/T5/830/BP	7	120-277	T5	G5	FR	3000K	700	82	240°	20.91	21.00	50K	045923119071	100/10
S11908	7W/LED/T5/840/BP	7	120-277	T5	G5	FR	4000K	700	82	240°	20.91	21.00	50K	045923119088	100/10
S11909	7W/LED/T5/865/BP	7	120-277	T5	G5	FR	6500K	700	82	240°	20.91	21.00	50K	045923119095	100/10

# 7W LINEAR LED T8 TYPE B BALLAST BYPASS LAMPS



### Features:

- F15T8 replacement  
7W, 18" LED
- Works with existing sockets -  
shunted or non-shunted
- No ballast or external  
driver required
- Built-in shock resistant circuit
- Direct wire 120-277V

- All glass tube with PET  
shatterproof coating
- ETL conforms to NSF  
standards
- Long life—50,000 hours
- 5 year warranty



Item	Description	W	V	Bulb Shape	Base	Finish	CCT	Lm	CRI	Beam	MOL (in.)	Nominal (in.)	Life (hrs.)	UPC	Pack
S11950	7T8/LED/18-830/BP	7	120-277	T8	G13	FR	3000K	700	83	160°	17.8	18.00	50K	045923119507	25
S11951	7T8/LED/18-840/BP	7	120-277	T8	G13	FR	4000K	750	83	160°	17.8	18.00	50K	045923119514	25
S11952	7T8/LED/18-865/BP	7	120-277	T8	G13	FR	6500K	770	83	160°	17.8	18.00	50K	045923119521	25

Product sheet SA2739

# LED T8 SIGN LAMPS CCT SELECTABLE



## Features:

- CCT selectable - 4000K/5000K/6500K
- Direct replacement for fluorescent high output sign lamps
- UL type B - ballast ballast bypass installation
- Double ended wiring for easy installation
- 14 available lengths from 18" to 120"
- Double sided LED for 360° of illumination
- 90° rotatable R17d endcaps



**ColorQuick™**

Selectable Color Technology

Switch to/from the following CCT

COOL WHITE - 4000K

NATURAL LIGHT - 5000K

DAYLIGHT - 6500K

# LED T8 SIGN LAMPS CCT SELECTABLE

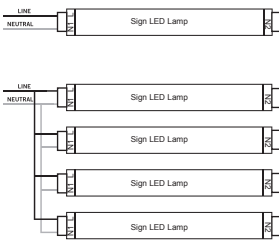


90° Rotatable end cap

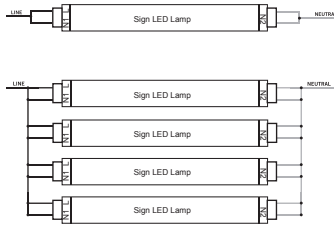


## SINGLE OR DOUBLE ENDED WIRING

### SINGLE ENDED WIRING



### DOUBLE ENDED WIRING



Item	Description	W	Lm	V	CCT Selectable	Nominal (in.)	UPC	Pack
S16430	7T8/LED/HO-SIGN/18-3CCT/BP/SE-DE	7	950/1000/900	120-277	4000K/5000K/6500K	18	045923164309	10
S16431	9T8/LED/HO-SIGN/24-3CCT/BP/SE-DE	9	1250/1300/1200	120-277	4000K/5000K/6500K	24	045923164316	10
S16432	11T8/LED/HO-SIGN/30-3CCT/BP/SE-DE	11	1,500/1600/1450	120-277	4000K/5000K/6500K	30	045923164323	10
S16433	12T8/LED/HO-SIGN/36-3CCT/BP/SE-DE	12	1650/1750/1600	120-277	4000K/5000K/6500K	36	045923164330	10
S16434	15T8/LED/HO-SIGN/42-3CCT/BP/SE-DE	15	2100/2200/2050	120-277	4000K/5000K/6500K	42	045923164347	10
S16435	18T8/LED/HO-SIGN/48-3CCT/BP/SE-DE	18	2500/2600/2450	120-277	4000K/5000K/6500K	48	045923164354	10
S16436*	24T8/LED/HO-SIGN/60-3CCT/BP/SE-DE	24	3350/3450/3300	120-277	4000K/5000K/6500K	60	045923164361	10
S16437*	26T8/LED/HO-SIGN/64-3CCT/BP/SE-DE	26	3650/3750/3600	120-277	4000K/5000K/6500K	64	045923164378	10
S16438*	30T8/LED/HO-SIGN/72-3CCT/BP/SE-DE	30	4200/4350/4150	120-277	4000K/5000K/6500K	72	045923164385	10
S16439*	32T8/LED/HO-SIGN/84-3CCT/BP/SE-DE	32	4500/4650/4400	120-277	4000K/5000K/6500K	84	045923164392	10
S16440*	36T8/LED/HO-SIGN/96-3CCT/BP/SE-DE	36	5000/5200/4900	120-277	4000K/5000K/6500K	96	045923164408	10
S16441*	42T8/LED/HO-SIGN/108-3CCT/BP/SE-DE	42	5800/6000/5700	120-277	4000K/5000K/6500K	108	045923164415	10
S16442*	45T8/LED/HO-SIGN/117-3CCT/BP/SE-DE	45	6300/6500/6200	120-277	4000K/5000K/6500K	117	045923164422	10
S16443*	48T8/LED/HO-SIGN/120-3CCT/BP/SE-DE	48	6700/6900/6600	120-277	4000K/5000K/6500K	120	045923164439	10

\*All items 60" and up (S16436 - S16443) must be ordered and shipped in full cases only (order in multiples of 10pcs)

Product sheet SA2969

# LED T8 U-BEND LAMPS

## FIELD SELECTABLE | U6 & U1 LEG SPACING



**Features:**

- Field selectable (CCT and wattage)
- Type A/B ballast bypass
- NSF® approved
- Single & double ended wiring
- Full glass housing



Item	Description	W	Lm	Input Current @120V/277V	Ballast Type	CCT	Size	UPC	Pack
S18413	15T8/U6/LED/5CCT/DUAL	11.5/13/15	1800/2000/2200	0.192A	Type A/B	3000K/3500K/4000K/5000K/6500K	045923184130	12	
S18414	15T8/U1/LED/5CCT/DUAL	11.5/13/15	11800/2000/2200	0.192A	Type A/B	3000K/3500K/4000K/5000K/6500K	045923184147	12	

Product sheet SN1697

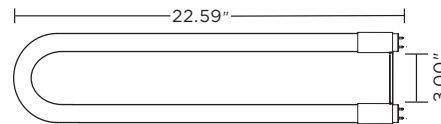
# LED U-BEND LAMPS CCT SELECTABLE - U3



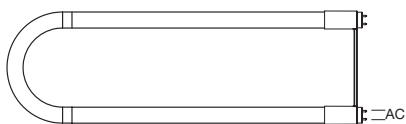
## Features:

- CCT selectable
- Direct replacement for fluorescent U-bend lamps
- Ballast bypass
- Shatterproof tube
- Single or double-ended wiring when installed for ballast bypass operation
- 5 year warranty

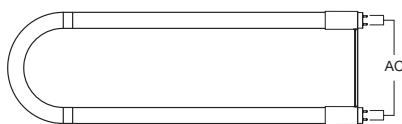
SOFT WHITE - 3000K
COOL WHITE - 4000K
NATURAL LIGHT - 5000K



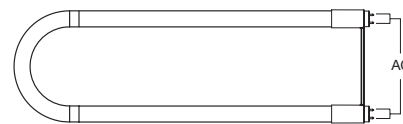
## Wiring Options—Ballast Bypass Type B - 120-277V



Single Ended — Non-Shunted Sockets



Double Ended — Non-Shunted Sockets



Double Ended — Shunted Sockets



Item	Description	Lm	W	Input Current @120V/277V	Ballast Type	CCT	Size	UPC	Pack
S18412	13T8/U3/LED/CCT/BP	1850/1950/1950	13W	0.11-0.05A	Ballast Bypass - Type B	3000K/4000K/5000K	3"	045923184123	12

Product sheet SA2955

# LED CIRCLINE LAMPS CCT SELECTABLE | G10Q BASE



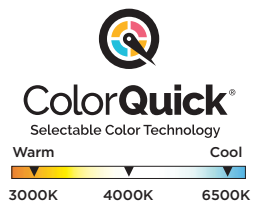
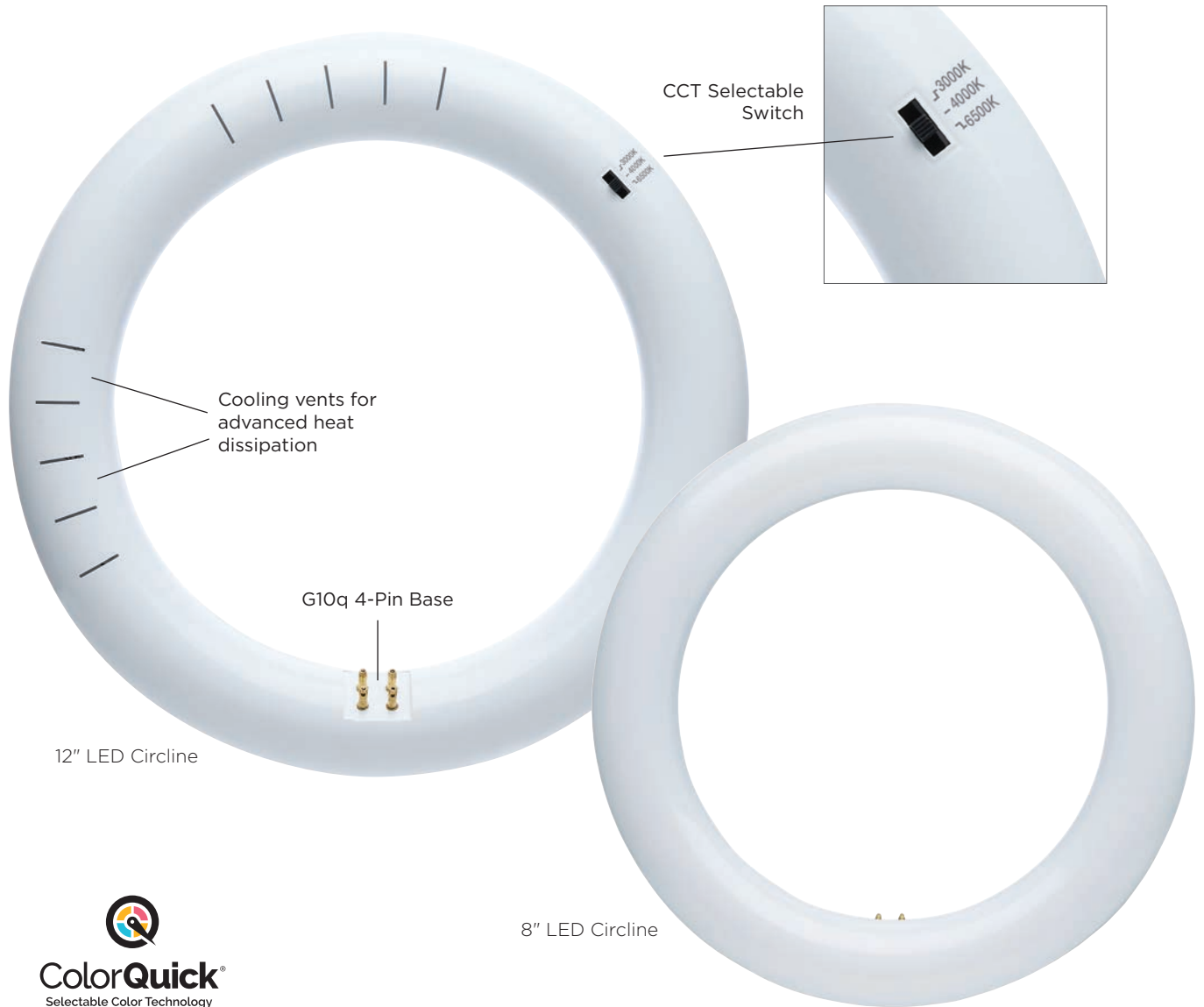
## Features:

- 3 CCT selectable
- Range voltage 120V-277V
- Dual mode type A/B
- Offered in 8" and 12" models



# LED CIRCLINE LAMPS

## CCT SELECTABLE | G10Q BASE



Item	Description	W	V	Bulb Shape	Base	Finish	CCT	Lm	CRI	Beam	MOL (in.)	Life (hrs.)	Pack
S16510	FC8T9/LED/CIR/CCT/DM/A-B	11W	120-277	T9	G10q	FR	3000K/4000K/6500K	1300L/1400L/1350L	80+	180°	8.08	50K	12
S16511	FC12T9/LED/CIR/CCT/DM/A-B	16	120-277	T9	G10q	FR	3000K/4000K/6500K	1850L/2000L/1950L	80+	135°	11.82	50K	12

Product sheet SN1577

# LINEAR LED T8 & T5HO TYPE C SYSTEM

## Features:

- Dedicated LED linear lamps and driver system with integral 0-10V dimming. For retrofit and installation in new fixtures
- Driver footprint matches ballast footprint
- High efficiency
- Compatible with instant start wiring
- Low flicker design
- 120-277V, 0-10V Dimming
- 3000, 3500, 4000, 5000K
- 82 CRI
- All glass lamps, damp rated
- DLC listed
- Built-in surge protection
- 50,000 hour life
- 5 year warranty

## Applications:

- Replacement of existing Linear Fluorescent lamps and ballast commonly found in commercial and industrial sites, and new installations

## Satco Type C systems include:

- Dedicated LED lamp and driver system
- DLC rated for use in utility programs

Linear LED  
T8 Type C

Linear LED  
T5 Type C



S8012  
1-2 Lamp driver



S8013  
3-4 Lamp driver



S8014  
1-2 Lamp driver



S8015  
3-4 Lamp driver

Note: Fluorescent lamps are not compatible with Type C drivers

# LINEAR LED T8 & T5 TYPE C SYSTEM



Item	Description	W	Bulb Shape	Base	Finish	CCT	Lm	CRI	Beam	MOL (in.)	Nominal (in.)	Life (hrs.)	UPC	Pack
2FT														
S11930	8T8/LED/24-830/XD	8	T8	G13	FR	3000K	1200	82	220°	24.00	24.00	50K	045923119309	25
S11931	8T8/LED/24-835/XD	8	T8	G13	FR	3500K	1200	82	220°	24.00	24.00	50K	045923119316	25
S11932	8T8/LED/24-840/XD	8	T8	G13	FR	4000K	1200	82	220°	24.00	24.00	50K	045923119323	25
S11933	8T8/LED/24-850/XD	8	T8	G13	FR	5000K	1200	82	220°	24.00	24.00	50K	045923119330	25
3FT														
S11934	11T8/LED/36-830/XD	11	T8	G13	FR	3000K	1600	82	220°	36.00	36.00	50K	045923119347	25
S11935	11T8/LED/36-835/XD	11	T8	G13	FR	3500K	1600	82	220°	36.00	36.00	50K	045923119354	25
S11936	11T8/LED/36-840/XD	11	T8	G13	FR	4000K	1600	82	220°	36.00	36.00	50K	045923119361	25
S11937	11T8/LED/36-850/XD	11	T8	G13	FR	5000K	1600	82	220°	36.00	36.00	50K	045923119378	25
4FT														
S11938	12T8/LED/48-830/XD	12	T8	G13	FR	3000K	1800	82	220°	48.00	48.00	50K	045923119385	25
S11939	12T8/LED/48-835/XD	12	T8	G13	FR	3500K	1800	82	220°	48.00	48.00	50K	045923119392	25
S11940	12T8/LED/48-840/XD	12	T8	G13	FR	4000K	1800	82	220°	48.00	48.00	50K	045923119408	25
S11941	12T8/LED/48-850/XD	12	T8	G13	FR	5000K	1800	82	220°	48.00	48.00	50K	045923119415	25

Product sheet SA2613

## LED T8 Type C Drivers

Item	Description	Lamps driven	V in	V out	Current in 120V	Current in 277V	Current out 120V, 277V	Freq. input HZ	Power factor 120V	Power factor 277V	Operating temp.	Storage temp.	UPC
S8012	LED driver/ 2', 3', 4'/Type C/T8	1, 2	120-277	24-48	300	130	290	50/60	0.95	0.93	-20° to 55°C	-40° to 85°C	045923090127
S8013	LED driver/ 2', 3', 4'/Type C/T8	3, 4	120-277	24-48	590	230	290	50/60	0.95	0.93	-20° to 55°C	-40° to 85°C	045923090134

Product sheet SA2613



Item	Description	W	Bulb Shape	Base	Finish	CCT	Lm	CRI	Beam	MOL (in.)	Nominal (in.)	Life (hrs.)	UPC	Pack
4FT T5														
S11942	23T5/LED/48-835/XD	23	T5	G5	FR	3500K	3400	82	220°	48.00	48.00	50K	045923119422	25
S11943	23T5/LED/48-840/XD	23	T5	G5	FR	4000K	3400	82	220°	48.00	48.00	50K	045923119439	25
S11944	23T5/LED/48-850/XD	23	T5	G5	FR	5000K	3400	82	220°	48.00	48.00	50K	045923119446	25

Product sheet SA2613

## LED T5 Type C Drivers

Item	Description	Lamps driven	V in	V out	Current in 120V	Current in 277V	Current out 120V, 277V	Freq. input HZ	Power factor 120V	Power factor 277V	Operating temp.	Storage temp.	UPC	Pack
S8014	LED driver/4'/ Type C/T5	1, 2	120-277	30-48	540	240	530	50/60	0.95	0.93	-20° to 55°C	-40° to 85°C	045923080142	25
S8015	LED driver/4'/ Type C/T5	3, 4	120-277	30-45	1020	450	530	50/60	0.98	0.96	-20° to 55°C	-40° to 85°C	045923080159	25

Product sheet SA2613

# LED T8 WITH INTEGRATED EMERGENCY BACKUP CCT SELECTABLE | BALLAST BYPASS LAMP

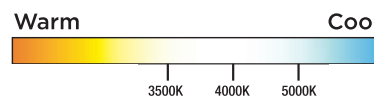


## Features:

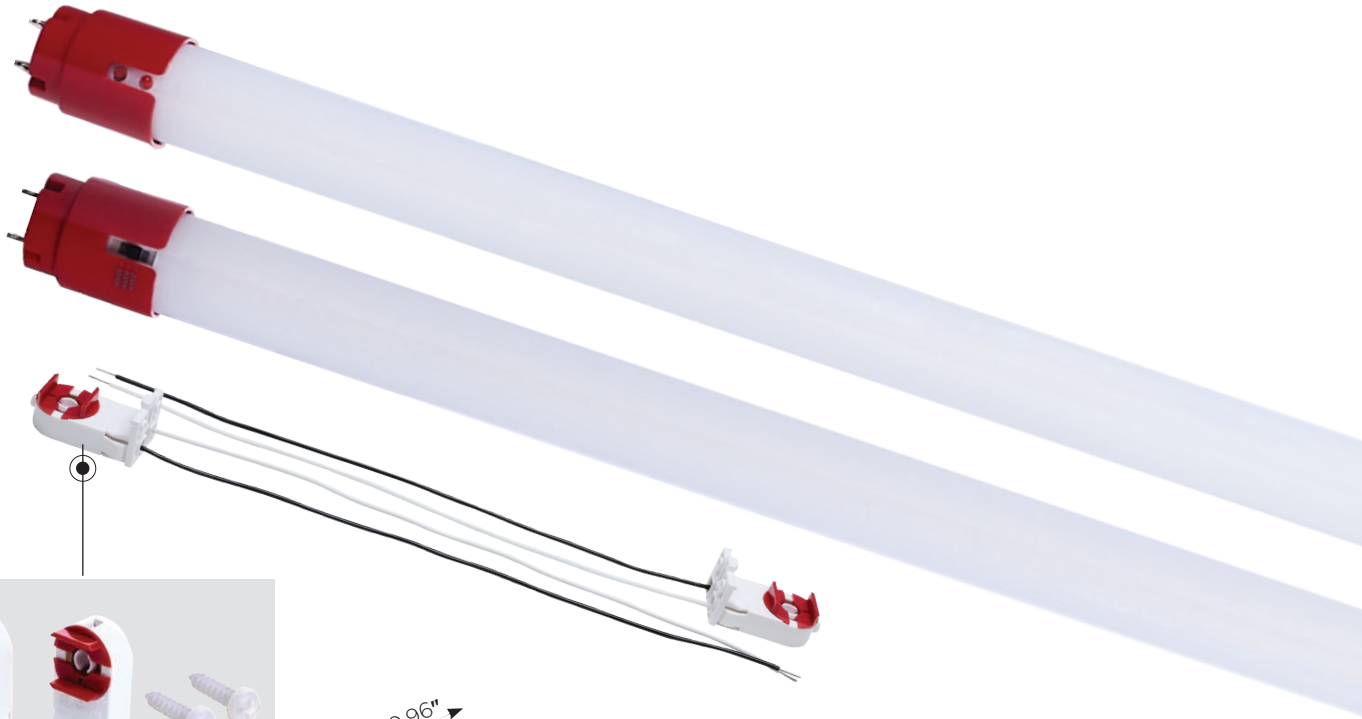
- UL924 listed Emergency Lighting
- 3 CCT Selectable
- Features ColorQuick technology, allowing for easy selection of CCT at installation
- Button and Indicator light for battery testing
- Red endcaps for easy identification
- Damp Location Rated
- 5 year warranty



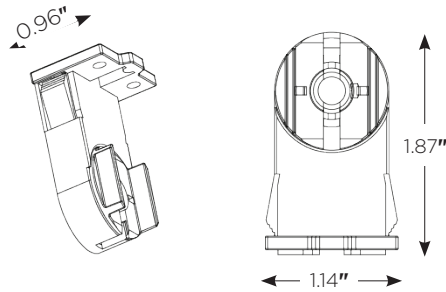
**ColorQuick**<sup>®</sup>  
Selectable Color Technology



# LED T8 WITH INTEGRATED EMERGENCY BACKUP CCT SELECTABLE | BALLAST BYPASS LAMP



Dedicated locking sockets and set screws for UL924 compliance



## DIMENSIONS

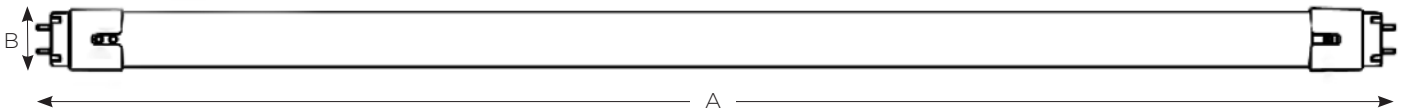
MOL (in) (A)	MOD (in) (B)	Weight
47.7"	1.16	1.12 Lbs.



3 CCT selectable switch



Button and indicator light for battery testing



Item	Lumens	Watts	Fluorescent Replacement Watts	Input Current @ 120V/277V	CCT Selectable	Beam Angle	UPC	Pack
S11732	2000	15W	32W	0.13-0.05A	3500K/4000K/5000K	140°	045923117329	12

Product sheet SN1810

# LED T8 LAMPS WITH BATTERY BACKUP - CCT SELECTABLE

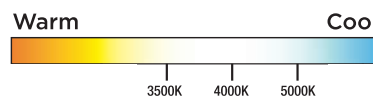


## Features:

- Provides up to 90 minutes of illumination during power outages
- Battery on/off switch conserves battery after installation\*
- Integrated aluminum heatsink to promote heat dissipation
- Features ColorQuick technology, allowing for easy selection of CCT at installation
- 5 year warranty



**ColorQuick**<sup>®</sup>  
Selectable Color Technology

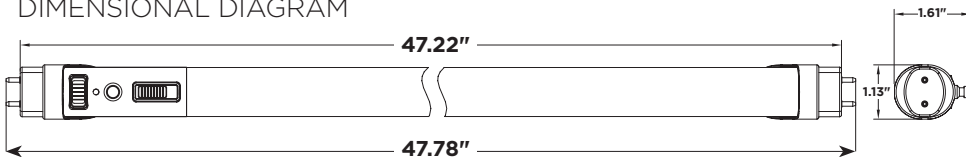


# LED T8 LAMPS WITH BATTERY BACKUP - CCT SELECTABLE



- Ballast Bypass - Direct Wire 120V - 277V
- Non-Shunted Sockets

DIMENSIONAL DIAGRAM



Item	Description	W	V	Lm	Battery Wattage	Battery Lumens	CCT	UPC	Pack
S11730	15T8/LED/48-CCT/EM/BP	15	120-277	1850/2000/1900	3.5W	500	3500K/4000K/5000K	045923117305	20/1
S11731	17T8/LED/48-CCT/EM/BP	17	120-277	2100/2300/2200	5W	700	3500K/4000K/5000K	045923117312	20/1

Product sheet SA3002

# TYPE B LED EMERGENCY BACK-UP FOR LED T8 AND T5 BALLAST BYPASS LAMPS

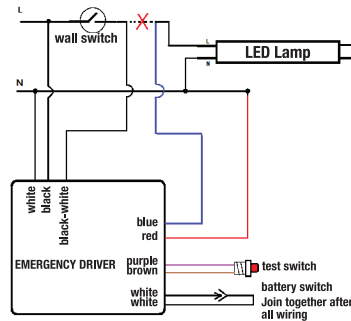
## Features:

- 5 watt or 10 watt output power options
- Driver type: constant wattage LED emergency
- Approximate lumens output 500ms-1000lms
- LED test switch and indicator light included
- Operating frequency: 50/60 Hz
- Max. current: 100mA@120v / 215mA@120v
- 1.8 Watt standby power
- 90 minute battery run time
- Output and over-power protection
- Recharge 24 hours max
- Lithium Ion battery
- 120-277V input
- Damp location
- 5 year warranty

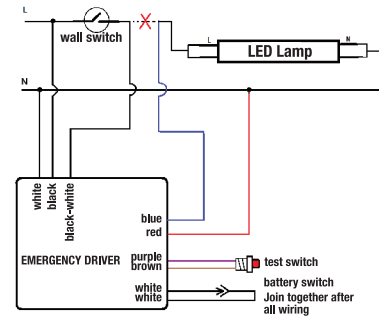


## Wiring Instructions

### Single Ended Wiring



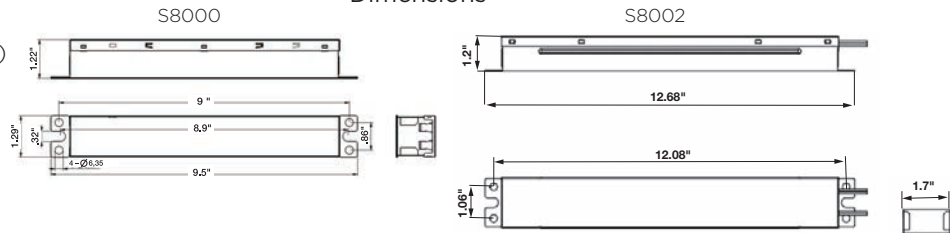
### Double Ended Wiring



## Compatibility:

- Satco 4' T8 (S9720-S9723)
- Satco U-Bend (S9930-S9933)
- Satco 4' T5 LED bypass lamps (S29717-S29719)
- Satco 2G11 PL-L (S9950-9951)
- Satco 2' T8 (S29900-S29905)
- Satco 4' T8 (S11924, S29913-S29916)
- Satco 3' T8 (S29926-S29929)
- Satco 4' T8 (S29904-S29907)

## Dimensions



## Accessories:

Driver enclosure sold separately (80-973)



Item	Description	Watts	Voltage	Length	Max. Current	Dimensions	Power Factor	UPC	Pack
S8000	5W Emergency LED driver	5	120-277	9.5"	100mA@120V	1.3"W x 1.22"H x 9.5"L	70.35	045923080005	25
S8002	10W Emergency LED driver	10	120-277	9.5"	215mA@120V	1.31"W x 1.21"H x 9.52"L	70.35	045923080029	12

Meets UL924, CEC Title 20, FCC15 Part 15 Class A, Compliance.

Product sheet SA2363

# LED RETROFIT SURFACE MOUNT MODULE CCT SELECTABLE | ROUND



**Features:**

- 5 CCT selectable
- Exceptional color rendering
- Easily retrofit existing fixtures
- Three convenient mounting options (Accessories included)

Pre-Drilled Holes for Self-Tapping Screws

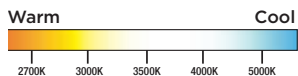
5 CCT Selectable at Installation

Magnets Hold Module In Place During Installation

Spacing Allows For Advanced Thermal Management



**ColorQuick**<sup>®</sup>  
Selectable Color Technology



Item	Description	W	V	Lm	Finish	CCT	CRI	Height (in.)	Diameter (in.)	UPC	Pack
S29781	21W 5CCT CIRCULAR LED RETROFIT	21	120	1800	Clear	2700K/3000K/3500K/4000K/5000	90	1.28	7.9	045923297816	20/1

Product sheet SN1707

# INDEX

Item	Page	Item	Page	Item	Page	Item	Page	Item	Page
80-929	153, 156	S8531	181	S9160	41	S9704	49	S11320	47
80-954	151, 156	S8532	181	S9161	41	S9707	49	S11321	47
80-955	151	S8533	181	S9162	41	S9708	49	S11329	62
80-956	151, 156	S8534	181	S9163	41	S9709	49	S11330	62
80-957	151, 156	S8535	181	S9164	41	S9753	152	S11331	62
80-974	127	S8536	181	S9165	41	S9754	152	S11332	62
80-975	127	S8537	181	S9166	41	S9755	152	S11333	79
80-976	127	S8538	181	S9167	41	S9854	180	S11334	105
80-977	127	S8539	181	S9168	41	S9855	180	S11335	105
80-978	127	S8564	57	S9169	41	S9856	180	S11336	105
80-979	127	S8565	57	S9170	41	S9857	180	S11340	105
80-980	139	S8566	61	S9171	41	S9862	180	S11341	105
80-981	139	S8567	61	S9172	41	S9863	180	S11342	105
80-982	139	S8568	61	S9173	41	S9864	180	S11343	105
80-983	139	S8570	61	S9174	41	S9865	180	S11344	19
80-988	139	S8571	61	S9175	41	S9873	35	S11345	19
80-989	139	S8572	46	S9176	41	S9950	187	S11346	19
80-990	127	S8573	46	S9177	41	S9951	187	S11355	10
80-991	127	S8585	103	S9280	103	S9952	187	S11356	10
80-992	127	S8588	108	S9281	103	S9953	187	S11357	11
80-993	127	S8589	108	S9282	103	S9966	37	S11358	11
80-994	127	S8603	109	S9283	103	S9967	37	S11359	11
80-995	127	S8604	109	S9380	108	S9968	37	S11360	11
86-215	153	S8605	109	S9381	108	S9969	37	S11361	11
92-410	153	S8612	35	S9382	108	S9970	37	S11362	11
93-5005	162	S8635	105	S9383	108	S9971	37	S11383	19
93-5006	162	S8636	105	S9384	108	S9986	35	S11384	19
93-5007	162	S8637	105	S9385	108	S9987	35	S11385	19
93-5034	162	S8638	105	S9386	103	S10520	5	S11389	105
93-5035	162	S8639	105	S9387	103	S10521	5	S11390	105
S8000	232	S8640	105	S9388	103	S10522	5	S11391	105
S8002	232	S8641	105	S9389	103	S10523R1	5	S11392	105
S8012	227	S8642	105	S9490	105	S10524R1	5	S11393	105
S8013	227	S8643	105	S9491	105	S10525	5	S11394	105
S8014	227	S8644	105	S9492	105	S11200	69	S11395	105
S8015	227	S8676	108	S9493	105	S11201	69	S11396	105
S8021	33	S8677	108	S9494	105	S11220	117	S11397	105
S8022	33	S8678	108	S9495	105	S11221	117	S11398	105
S8023	33	S8679	108	S9496	105	S11222	117	S11399	105
S8024	33	S8890	206	S9497	105	S11223	117	S11410	52
S8025	33	S8891	206	S9498	105	S11224	66	S11411	52
S8026	33	S8892	206	S9499	105	S11225	66	S11427	55
S8027	33	S8893	206	S9550	103	S11230	114	S11429	55
S8189	72	S9150	41	S9551	103	S11231	114	S11440	71
S8190	72	S9151	41	S9552	105	S11232	114	S11441	71
S8191	72	S9152	41	S9553	105	S11233	114	S11442	71
S8480	49	S9153	41	S9577	35	S11234	114	S11443	97
S8481	49	S9154	41	S9578	35	S11235	114	S11444	97
S8482	49	S9155	41	S9579	35	S11236	114	S11445	59
S8489	57	S9156	41	S9583	35	S11237	114	S11446	59
S8490	61	S9157	41	S9584	35	S11238	114	S11474	80
S8499	57	S9158	41	S9616	105	S11239	114	S11475	95
S8530	181	S9159	41	S9703	49	S11308	28	S11476	95

Item	Page	Item	Page	Item	Page	Item	Page	Item	Page
S11477	21	S11647	133	S11793	43	S11926	212	S12131	114
S11478	21	S11650	214	S11794	43	S11927	212	S12132	115
S11486	101	S11651	214	S11795	43	S11930	227	S12133	115
S11487	101	S11652	214	S11796	43	S11931	227	S12136	116
S11488	101	S11653	214	S11800R1	121	S11932	227	S12137	116
S11494	101	S11654	214	S11801R1	121	S11933	227	S12138	116
S11495	101	S11655	214	S11820R1	121	S11934	227	S12139	116
S11496	101	S11656	214	S11821R1	121	S11935	227	S12143	45
S11497	101	S11660	200	S11822	121	S11936	227	S12144	45
S11498	101	S11661	200	S11824	121	S11937	227	S12145	45
S11499	101	S11662	200	S11825R1	121	S11938	227	S12146	45
S11515	61	S11663	200	S11832R1	123	S11939	227	S12147	45
S11516	61	S11664	200	S11833R1	123	S11940	227	S12148	45
S11517	61	S11665	200	S11834R1	123	S11941	227	S12150	6
S11518	61	S11666	200	S11835R1	123	S11942	227	S12151	6
S11520	5	S11730	231	S11836R1	123	S11943	227	S12152	6
S11521	5	S11731	231	S11837R1	123	S11944	227	S12153	6
S11522	5	S11732	229	S11838	141	S11950	219	S12154	6
S11523	5	S11740R1	191	S11846	137	S11951	219	S12155	6
S11524	5	S11741R1	191	S11854	125	S11952	219	S12156	6
S11525R1	5	S11742R1	191	S11855	125	S11953	203	S12157	6
S11526R1	5	S11743R1	191	S11856	125	S11954	203	S12158	6
S11527	5	S11744	197	S11857	125	S11955	203	S12159	6
S11528	5	S11745	197	S11858	125	S11956	203	S12160	6
S11529	5	S11746	197	S11859	125	S11957	212	S12161	6
S11530	5	S11747	197	S11882	127	S11958	212	S12162	6
S11531	5	S11750	211	S11883	127	S11959	212	S12163	6
S11532	5	S11751	211	S11884	127	S11960	195	S12164	6
S11533	5	S11752	211	S11885	127	S11961	195	S12170	50
S11534	5	S11753	211	S11890	129	S11962	195	S12171	50
S11540	73	S11754	211	S11891	129	S11963	195	S12244	102
S11541	73	S11755	211	S11892	129	S11964	213	S12245	102
S11542	73	S11757	209	S11893	129	S11965	213	S12246	102
S11543	73	S11764	193	S11894	131	S11966	213	S12247	102
S11545	185	S11765	193	S11895	131	S11967	213	S12260	81
S11546	185	S11766	193	S11896	131	S11974	207	S12261	81
S11550	177	S11767	193	S11897	131	S11975	207	S12262	81
S11551	177	S11770R1	43	S11900	218	S11976	207	S12263	81
S11552	177	S11771R1	43	S11901	218	S11977	207	S12310	113
S11553	177	S11772R1	43	S11902	218	S11978	199	S12311	113
S11554	177	S11773R1	43	S11903	218	S12114	28	S12312	113
S11555	173	S11774R1	43	S11904	218	S12115	19	S12313	113
S11556	173	S11775R1	43	S11905	218	S12116	19	S12314	113
S11580	83	S11776R1	43	S11906	218	S12117	19	S12315	113
S11581	83	S11777R1	43	S11907	218	S12118	19	S12316	113
S11582	83	S11778	77	S11908	218	S12120	113	S12317	113
S11583	83	S11779	77	S11909	218	S12121	113	S12318	113
S11584	83	S11780	77	S11910	201	S12122	113	S12319	113
S11585	83	S11781	77	S11911	201	S12123	113	S12320	113
S11586	83	S11782	75	S11912	201	S12124	113	S12321	113
S11587	83	S11783	75	S11913	201	S12125	113	S12322	114
S11588	83	S11784	75	S11914	201	S12126	114	S12323	114
S11589	83	S11785	75	S11915	201	S12127	114	S12324	114
S11590	83	S11790	43	S11916	201	S12128	114	S12325	114
S11591	83	S11791	43	S11917	201	S12129	114	S12326	114
S11646	133	S11792	43	S11918	189	S12130	114	S12327	114

Item	Page	Item	Page	Item	Page	Item	Page	Item	Page
S12328	114	S12416	10	S12480	15	S12539	11	S13195	142
S12329	114	S12417	10	S12481	16	S12540	11	S13196	142
S12330	114	S12418	10	S12482	16	S12541	16	S13197	142
S12331	114	S12419	10	S12483	16	S12542	16	S13198	143
S12332	114	S12420	10	S12484	17	S12545	17	S14984	53
S12333	114	S12422	11	S12485	17	S12546	17	S14985	53
S12334	115	S12423	11	S12486	17	S12554	5	S14986	53
S12335	115	S12424	11	S12487	17	S12555	5	S14987	53
S12336	115	S12425	11	S12488	17	S12556	5	S14988	53
S12337	115	S12426	11	S12489	17	S12557	5	S14989	53
S12338	115	S12427	11	S12490	18	S12558	5	S14990	53
S12339	115	S12428	11	S12491	18	S12559	5	S16430	221
S12340	115	S12429	11	S12492	19	S12560	5	S16431	221
S12341	115	S12430	11	S12493	19	S12561	5	S16432	221
S12350	116	S12431	11	S12494	19	S12600	135	S16433	221
S12351	116	S12432	11	S12495	19	S12601	135	S16434	221
S12352	116	S12433	11	S12496	19	S12602	135	S16435	221
S12353	116	S12434	11	S12497	19	S12603	135	S16436	221
S12354	116	S12435	11	S12498	19	S12604	135	S16437	221
S12355	116	S12436	11	S12499	23	S12605	135	S16438	221
S12356	116	S12437	11	S12500	23	S13118	154	S16439	221
S12357	116	S12438	11	S12501	23	S13119	154	S16440	221
S12358	116	S12439	11	S12502	23	S13120	156	S16441	221
S12359	116	S12440	11	S12503	23	S13121	156	S16442	221
S12360	107	S12441	11	S12504	23	S13122	156	S16443	221
S12361	107	S12442	11	S12505	25	S13127	156	S16510	225
S12362	107	S12443	11	S12506	25	S13146	155	S16511	225
S12363	107	S12444	13	S12507	25	S13147	155	S18400	175
S12364	107	S12445	13	S12508	25	S13159	167	S18401	175
S12365	107	S12446	13	S12509	25	S13160	65	S18402	175
S12366	107	S12447	13	S12510	27	S13161	65	S18403	175
S12367	107	S12448	13	S12511	27	S13162	65	S18404	175
S12368	107	S12449	13	S12512	27	S13163	65	S18405	173
S12369	107	S12450	13	S12513	27	S13164	65	S18412	223
S12370	107	S12451	13	S12514	28	S13165	65	S18413	222
S12371	107	S12452	13	S12518	29	S13166	65	S18414	222
S12372	107	S12460	10	S12519	29	S13167	65	S18420	186
S12373	107	S12461	10	S12520	29	S13168	169	S18421	186
S12374	107	S12462	10	S12521	29	S13169	169	S18422	186
S12375	107	S12463	10	S12522	29	S13170	163	S18423	186
S12400	9	S12464	10	S12523	29	S13171	163	S18800	119
S12401	9	S12465	10	S12524	30	S13172	163	S18801	119
S12402	9	S12466	10	S12525	30	S13173	165	S18802	119
S12403	9	S12467	10	S12526	30	S13174	165	S18803	119
S12404	9	S12468	10	S12527	30	S13183	143	S19946	213
S12405	9	S12469	11	S12528	31	S13184	143	S19947	213
S12406	9	S12470	11	S12529	31	S13185	143	S19948	213
S12407	9	S12471	15	S12530	31	S13186	143	S21200	15
S12408	10	S12472	15	S12531	31	S13187	143	S21201	15
S12409	10	S12473	15	S12532	31	S13188	143	S21202	15
S12410	10	S12474	15	S12533	31	S13189	143	S21203	15
S12411	10	S12475	15	S12534	31	S13190	143	S21204	15
S12412	10	S12476	15	S12535	31	S13191	143	S21205	15
S12413	10	S12477	15	S12536	31	S13192	143	S21206	15
S12414	10	S12478	15	S12537	10	S13193	143	S21207	15
S12415	10	S12479	15	S12538	10	S13194	143	S21208	15

Item	Page	Item	Page	Item	Page	Item	Page	Item	Page
S21209	15	S21265	18	S21321	27	S21410	182	S21852	27
S21210	15	S21266	18	S21323	56	S21411	182	S21853	27
S21211	15	S21267	18	S21324	56	S21412	182	S21854	28
S21212	15	S21268	19	S21325	56	S21413	183	S21855	28
S21213	15	S21269	19	S21327	60	S21414	183	S21856	28
S21214	15	S21270	19	S21328	60	S21415	183	S21857	28
S21215	15	S21271	19	S21330	28	S21741	109	S21858	29
S21216	15	S21272	19	S21331	28	S21742	109	S21860	29
S21217	15	S21273	19	S21332	28	S21743	109	S21861	29
S21218	15	S21274	19	S21333	28	S21744	109	S21862	30
S21219	15	S21275	19	S21334	28	S21745	109	S21863	30
S21220	15	S21276	19	S21335	28	S21760	205	S21864	30
S21221	15	S21277	19	S21336	28	S21761	205	S21865	30
S21222	15	S21278	19	S21337	28	S21762	205	S21866	30
S21223	15	S21279	19	S21338	28	S21763	205	S21867	31
S21224	15	S21280	19	S21339	28	S21810	15	S21868	31
S21225	15	S21281	19	S21340	29	S21811	15	S21869	31
S21226	16	S21282	23	S21341	29	S21812	15	S21870	31
S21227	16	S21283	23	S21342	29	S21813	15	S21871	9
S21228	16	S21284	23	S21343	29	S21814	15	S21872	9
S21229	16	S21285	23	S21344	30	S21815	15	S21873	9
S21230	16	S21286	23	S21345	30	S21816	15	S21874	9
S21231	16	S21287	23	S21346	30	S21817	18	S21875	15
S21232	16	S21288	23	S21347	30	S21818	18	S21876	15
S21233	16	S21289	23	S21348	30	S21819	19	S21877	15
S21234	16	S21290	23	S21349	30	S21820	19	S21878	15
S21235	16	S21291	23	S21350	30	S21821	19	S21879	23
S21236	16	S21292	23	S21351	30	S21822	19	S21880	23
S21237	16	S21293	23	S21352	30	S21823	19	S21881	23
S21238	16	S21294	25	S21353	30	S21824	19	S21882	23
S21239	16	S21295	25	S21354	31	S21825	19	S21883	25
S21240	16	S21296	25	S21355	31	S21826	19	S21884	25
S21241	16	S21297	25	S21356	31	S21827	19	S21885	27
S21242	16	S21298	25	S21357	31	S21828	19	S21886	27
S21243	16	S21299	25	S21358	31	S21829	19	S21887	27
S21244	16	S21300	25	S21359	31	S21830	19	S21888	27
S21245	16	S21301	25	S21360	31	S21831	19	S21915	188
S21246	16	S21302	25	S21361	31	S21832	23	S21916	188
S21247	16	S21303	25	S21362	31	S21833	23	S21917	188
S21248	17	S21304	25	S21363	31	S21834	23	S21918	188
S21249	17	S21305	25	S21364	31	S21835	23	S21919	188
S21250	17	S21306	25	S21365	31	S21836	23	S21924	195
S21251	17	S21307	25	S21366	19	S21837	23	S21925	212
S21252	17	S21308	25	S21367	19	S21838	23	S22210	91
S21253	17	S21309	25	S21368	23	S21840	25	S22211	91
S21254	17	S21310	27	S21369	23	S21841	25	S22212	91
S21255	17	S21311	27	S21370	29	S21842	25	S22213	91
S21256	17	S21312	27	S21371	29	S21843	25	S22214	91
S21257	17	S21313	27	S21372	29	S21844	25	S22215	91
S21258	17	S21314	27	S21373	29	S21845	25	S22216	91
S21259	17	S21315	27	S21374	29	S21846	25	S22217	91
S21260	17	S21316	27	S21375	29	S21847	25	S22218	91
S21261	17	S21317	27	S21376	29	S21848	27	S22219	91
S21262	18	S21318	27	S21377	29	S21849	27	S22430	39
S21263	18	S21319	27	S21378	31	S21850	27	S22431	39
S21264	18	S21320	27	S21379	31	S21851	27	S22432	39

Item	Page	Item	Page	Item	Page	Item	Page	Item	Page
S22433	39	S28597	80	S29421	86	S29855	179	S39917	195
S23134	147	S28617	67	S29422	86	S29856	179	S39918	195
S23135	147	S28618	67	S29423	86	S29858	180	S39919	195
S23136	147	S28619	79	S29424	86	S29859	180	S39920	195
S23137	147	S28650	56	S29425	86	S29860	180	S39926	195
S23138	147	S28652	60	S29426	86	S29861	180	S39927	195
S23139	147	S28653	60	S29427	86	S29877	19	S39928	195
S23140	145	S28690	215	S29428	86	S29878	16	S39929	195
S23141	145	S28691	215	S29429	86	S29910	213	S49391	149
S23142	145	S28692	215	S29430	86	S29911	213	S49392	149
S23143	145	S28693	215	S29431	86	S29912	213	S49393	149
S23144	145	S28694	215	S29432	86	S29917	212	S49394	149
S23145	145	S28695	215	S29433	86	S29918	212	S49395	149
S23147	145	S28696	215	S29434	86	S29919	212	S49396	149
S23148	145	S28697	215	S29435	86	S29924	213	S49397	149
S23149	145	S28698	215	S29436	86	S29925	213	S49671	149
S23150	145	S28725	175	S29437	86	S29942	213	S49672	149
S23151	145	S28726	175	S29438	86	S32240	89	S49673	149
S23152	145	S28727	175	S29439	86	S32250	89	S49674	149
S23161	151	S28728	175	S29440	87	S33112	161	S49675	149
S23162	151	S28729	175	S29441	87	S33113	161	S49676	149
S23163	151	S28730	173	S29442	87	S33114	161	S49677	149
S23164	151	S28735	63	S29443	87	S33115	161	S49738	149
S23165	151	S28737	63	S29444	87	S33116	161	S49739	149
S23166	151	S28928	159	S29445	87	S33117	161	S49934R1	191
S23167	151	S28929	159	S29446	87	S38939	164	S49935R1	191
S23168	151	S28930	159	S29447	87	S38946	164	S49936R1	191
S26500	217	S28932R1	157	S29448	87	S38975	164	S49937R1	191
S26501	217	S28938R1	157	S29449	87	S39188	99	S49946	191
S28483	56	S28976	171	S29450	87	S39679	153	S49947	191
S28484	56	S28980	159	S29451	87	S39717	215	S49948	191
S28485	56	S28987	159	S29452	87	S39718	215	S49949	191
S28486	60	S29004	111	S29453	87	S39719	215	S49975R1	191
S28487	60	S29005	111	S29454	87	S39720	215	S49976R1	191
S28488	60	S29189	99	S29455	87	S39750	153	S49977R1	191
S28491	79	S29400	85	S29456	87	S39751	153	S49978R1	191
S28492	79	S29401	85	S29457	87	S39752	153	S49990	191
S28493	80	S29402	85	S29480	93	S39760	89	S49991	191
S28547	79	S29403	85	S29481	93	S39764	89	S49992	191
S28557	47	S29404	85	S29482	93	S39768	153	S49993	191
S28558	47	S29405	85	S29483	93	S39769	153		
S28560	51	S29406	85	S29484	93	S39798	153		
S28561	51	S29407	85	S29614	79	S39799	153		
S28562	51	S29408	85	S29615	80	S39879	10		
S28563	51	S29409	85	S29618	67	S39900	195		
S28574	67	S29410	86	S29619	67	S39901	195		
S28575	67	S29411	86	S29625	79	S39902	195		
S28576	67	S29412	86	S29626	79	S39903	195		
S28577	79	S29413	86	S29781	233	S39904	195		
S28578	79	S29414	86	S29806	70	S39905	195		
S28579	79	S29415	86	S29807	70	S39906	195		
S28580	80	S29416	86	S29850	180	S39907	195		
S28593	47	S29417	86	S29851	180	S39913	195		
S28594	47	S29418	86	S29852	180	S39914	195		
S28595	67	S29419	86	S29853	180	S39915	195		
S28596	79	S29420	86	S29854	179	S39916	195		











To learn more about SATCO|NUVO, visit [www.satco.com](http://www.satco.com) or contact 1-800-437-2826



Like us on Facebook



Connect with us on LinkedIn



Follow us on Instagram

**National Toll-Free:** 1.800.43.SATCO (1.800.437.2826)

**Corporate Offices &**

**Distribution Center:** **NEW YORK** 110 Heartland Blvd., Brentwood, NY 11717 | 800.437.2826 | 631.243.2022 | Fax 631.243.2027

**Distribution Centers:**

**FLORIDA** 1694 NW 215th St. Miami Gardens, FL 33056 | Tel. 305.624.2044 FAX 305.623.0286

**CALIFORNIA** 31288 San Benito St. Hayward, CA 94544 | Tel. 510.487.4822 FAX 510.487.8955

**WASHINGTON** 4710 116th St. S.W., Mukilteo, WA 98275 | Tel. 425.789.3300 FAX 425.789.3310

**TEXAS** 2000 Valwood Parkway, Farmers Branch, TX 75234 | Tel. 972.247.2437 FAX 972.247.5408

**PUERTO RICO** Campeche St. 23, Julio N. Matos Industrial Park, Carolina, PR 00984 | Tel. 787.757.3510 FAX 787.757.3540

Product specifications and availability are subject to change without notice.  
Please visit us online at [www.satco.com](http://www.satco.com) for our full product line and ordering details, or consult factory for additional information